



US00D924303S

(12) **United States Design Patent** (10) **Patent No.:** **US D924,303 S**  
**Pfiffi** (45) **Date of Patent:** **\*\* Jul. 6, 2021**

(54) **SURVEILLANCE CAMERA**  
(71) Applicant: **Mobotix AG**, Winnweiler (DE)  
(72) Inventor: **Horst Pfiffi**, Queidersbach (DE)  
(73) Assignee: **Mobotix AG**, Winnweiler (DE)  
(\*\*) Term: **15 Years**  
(21) Appl. No.: **35/508,074**  
(22) Filed: **Oct. 1, 2019**  
(80) **Hague Agreement Data**  
Int. Filing Date: **Oct. 1, 2019**  
Int. Reg. No.: **DM/204642**  
Int. Reg. Date: **Oct. 1, 2019**  
Int. Reg. Pub. Date: **Dec. 13, 2019**

(30) **Foreign Application Priority Data**  
Apr. 1, 2019 (EM) ..... 006352985-0001  
(51) **LOC (13) Cl.** ..... **16-01**  
(52) **U.S. Cl.**  
USPC ..... **D16/203**  
(58) **Field of Classification Search**  
USPC ..... D16/200, 202-205, 208, 218, 219, 242  
CPC ..... G03B 17/02; G03B 17/04; G03B 17/56;  
G03B 19/04; G03B 15/03; H04N 5/2251;  
H04N 5/2252; H04N 5/2253; H04N  
5/2254  
See application file for complete search history.

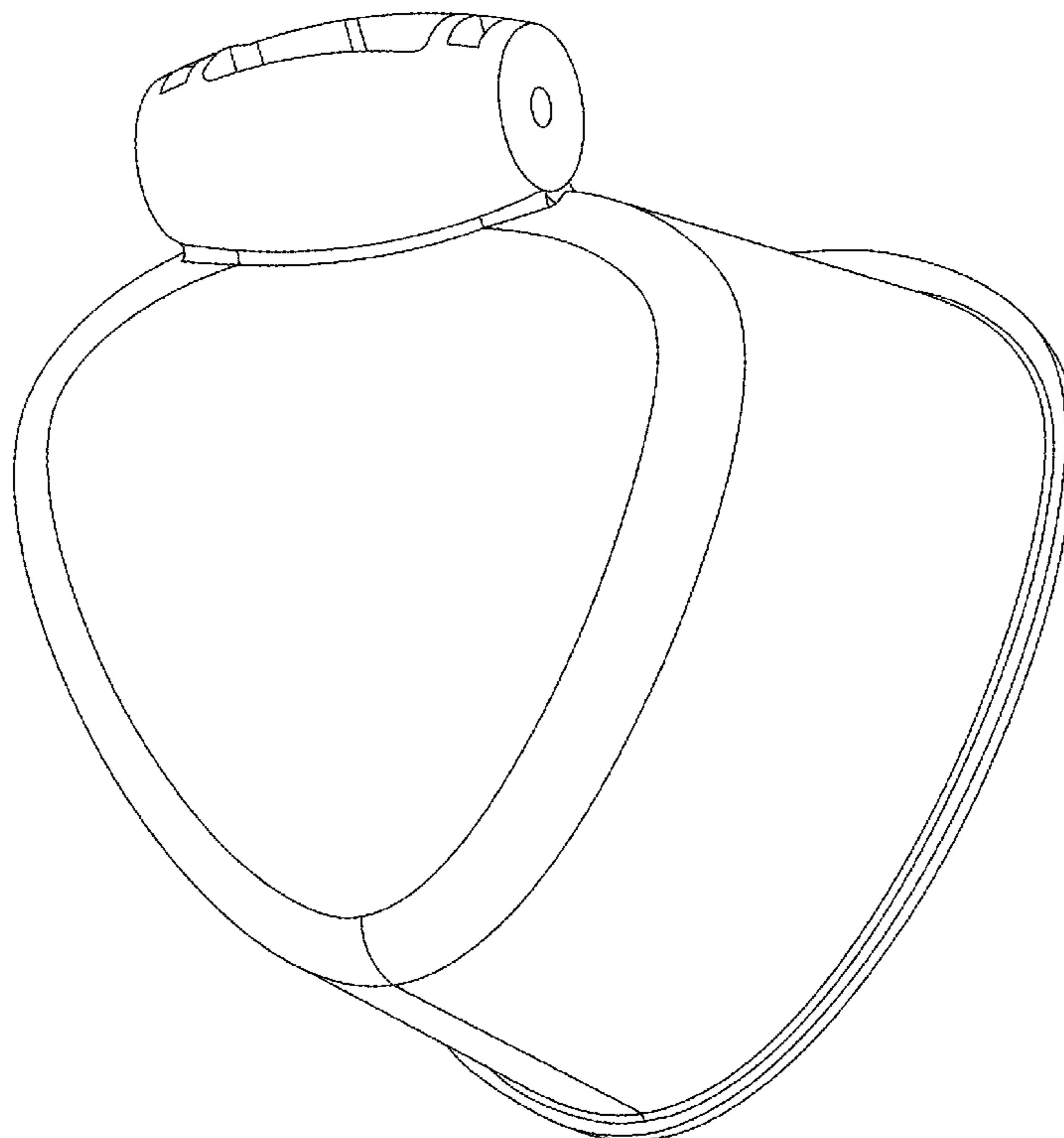
(56) **References Cited**  
U.S. PATENT DOCUMENTS  
D217,153 S \* 4/1970 Adkins et al. .... D16/203  
D282,068 S \* 1/1986 Claggett ..... D14/239  
D450,075 S \* 11/2001 Uehara ..... D16/202  
D455,166 S \* 4/2002 Raad ..... D10/104.1  
D732,596 S \* 6/2015 Wang ..... D16/203  
D743,472 S \* 11/2015 Tanifuji ..... D16/219  
D771,174 S \* 11/2016 Hinkel ..... D16/203  
D867,428 S \* 11/2019 Jiang ..... D16/218  
D878,264 S \* 3/2020 Ahn ..... D12/190

\* cited by examiner  
*Primary Examiner* — Holly E Thurman  
(74) *Attorney, Agent, or Firm* — Holland & Hart LLP

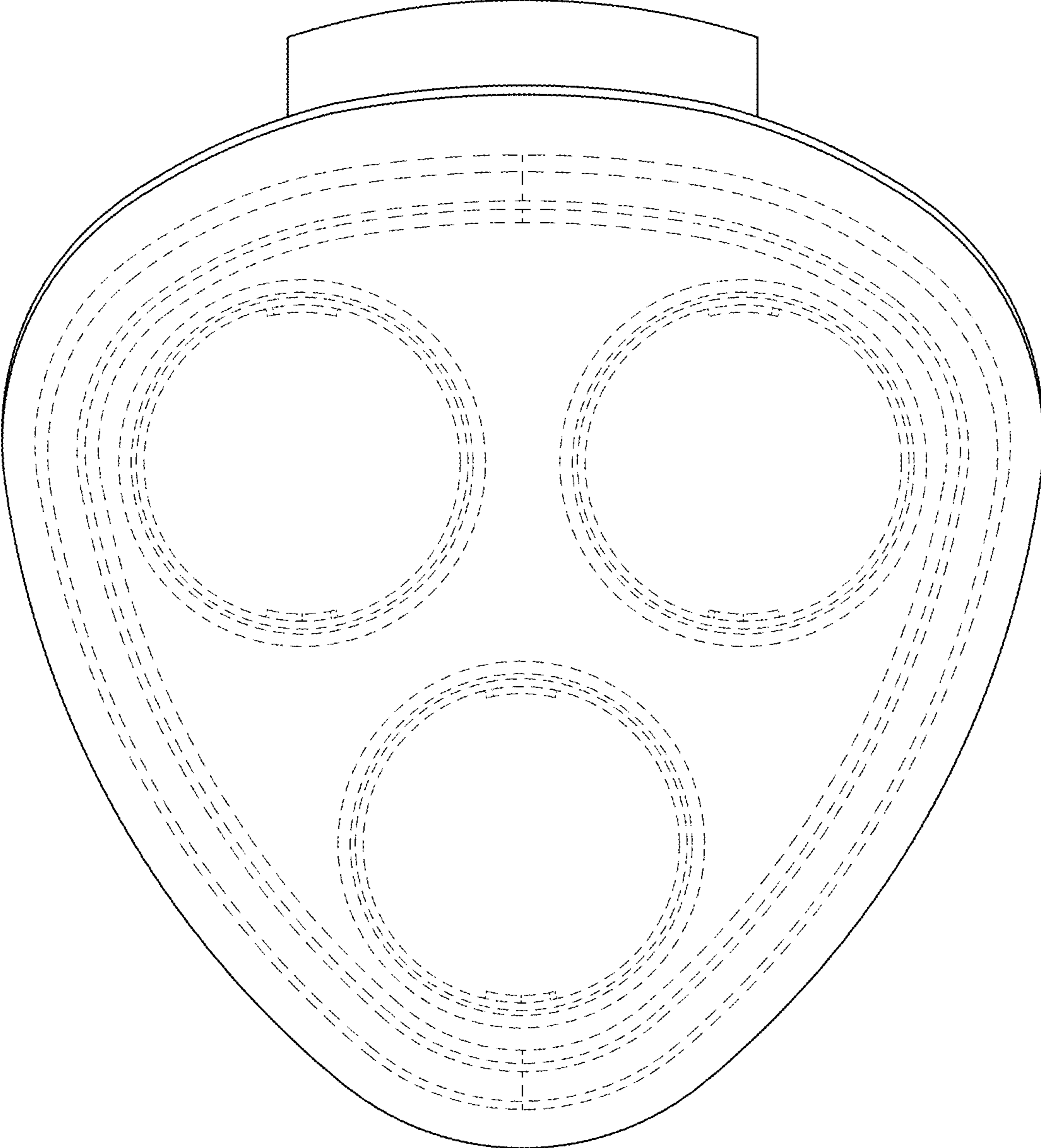
(57) **CLAIM**  
I claim the ornamental design for a surveillance camera, as shown and described.

**DESCRIPTION**  
FIG. 1.1 a front view of a surveillance camera, showing my new design;  
FIG. 1.2 is a back view thereof;  
FIG. 1.3 is a left view thereof;  
FIG. 1.4 is a right view thereof;  
FIG. 1.5 is a top view thereof;  
FIG. 1.6 is a bottom view thereof; and  
FIG. 1.7 is a back perspective view thereof.  
The dashed lines in the drawings depict portion of the surveillance camera that form no part of the claimed design.

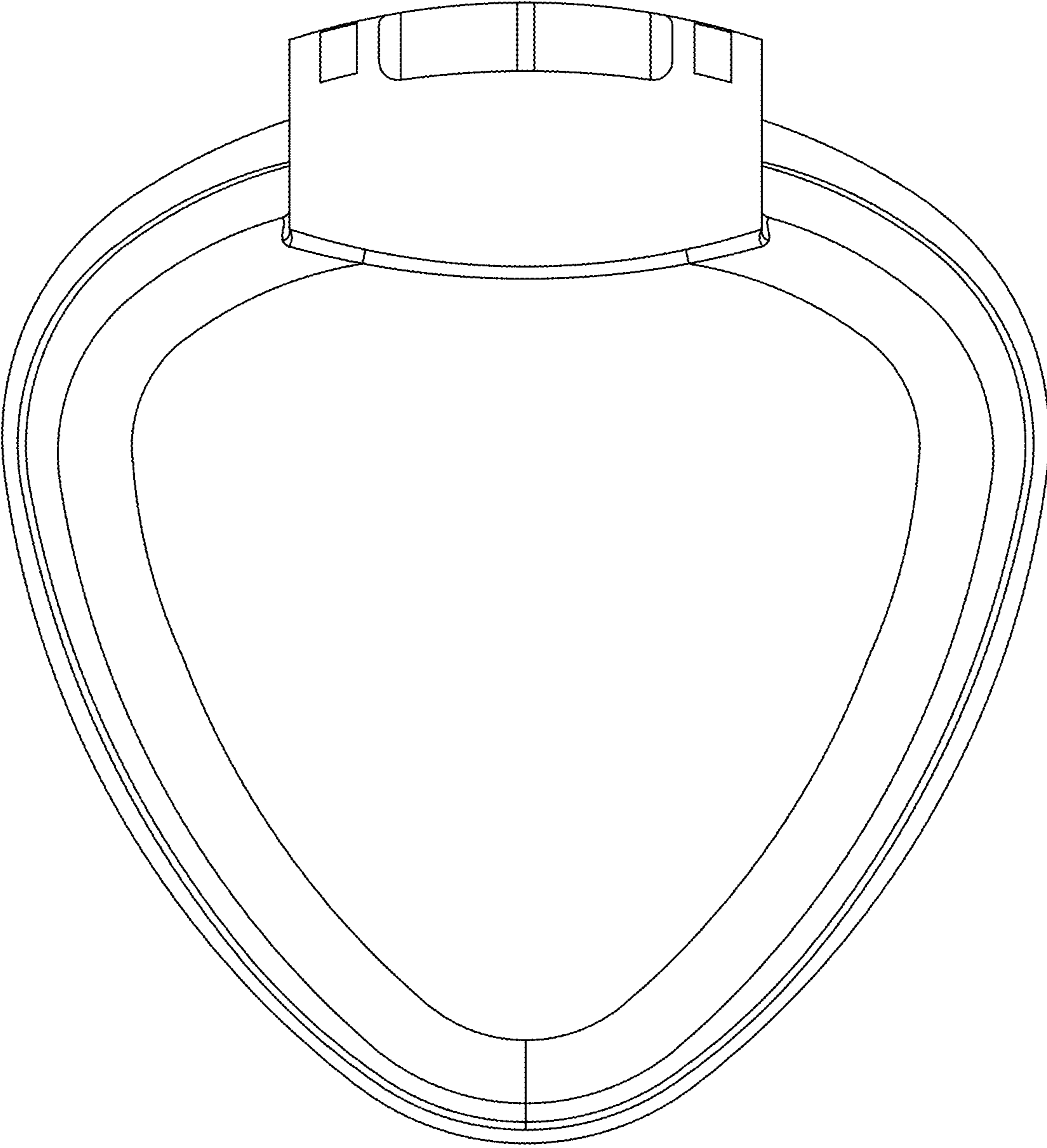
**1 Claim, 7 Drawing Sheets**



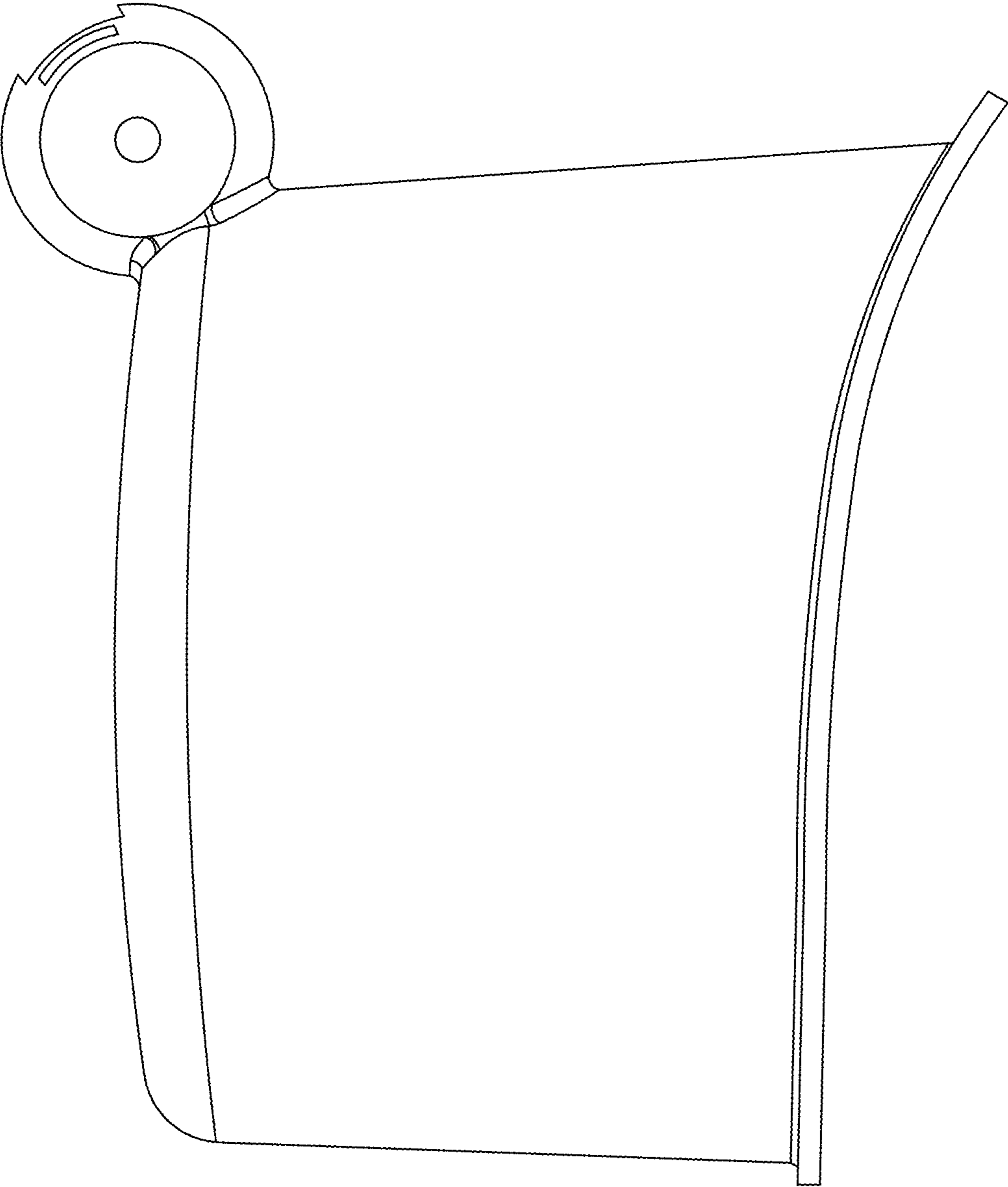
1.1



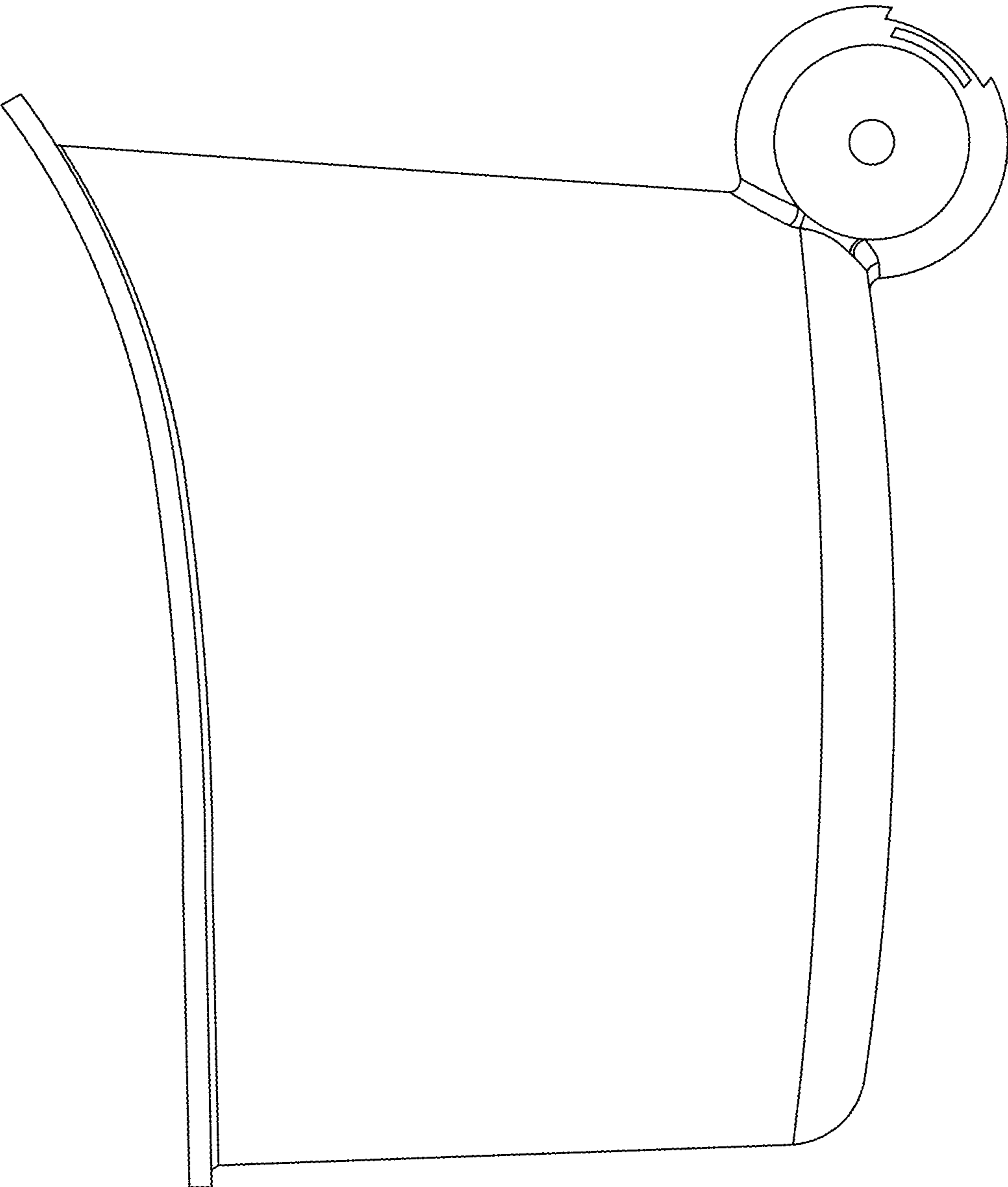
1.2



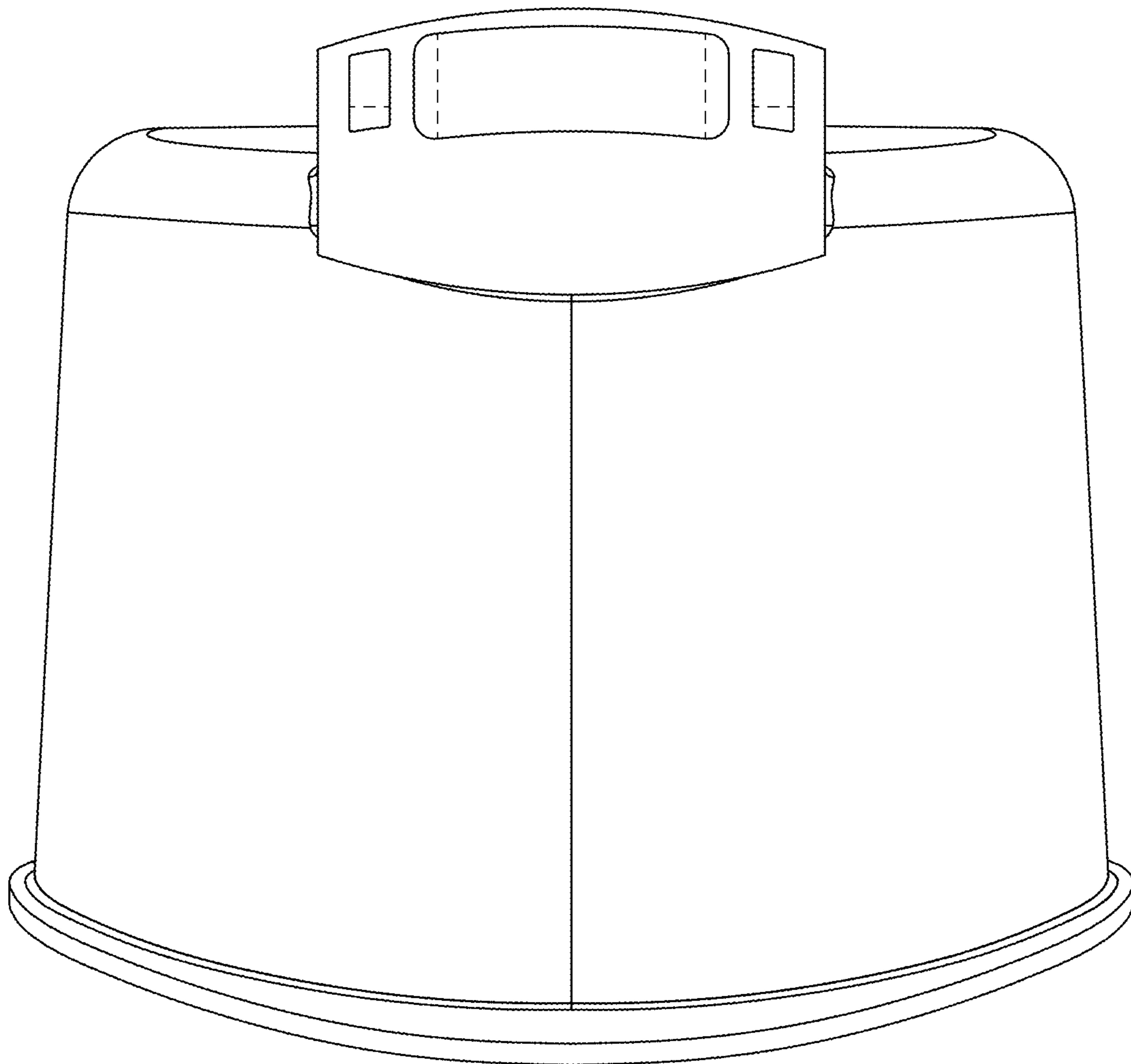
1.3



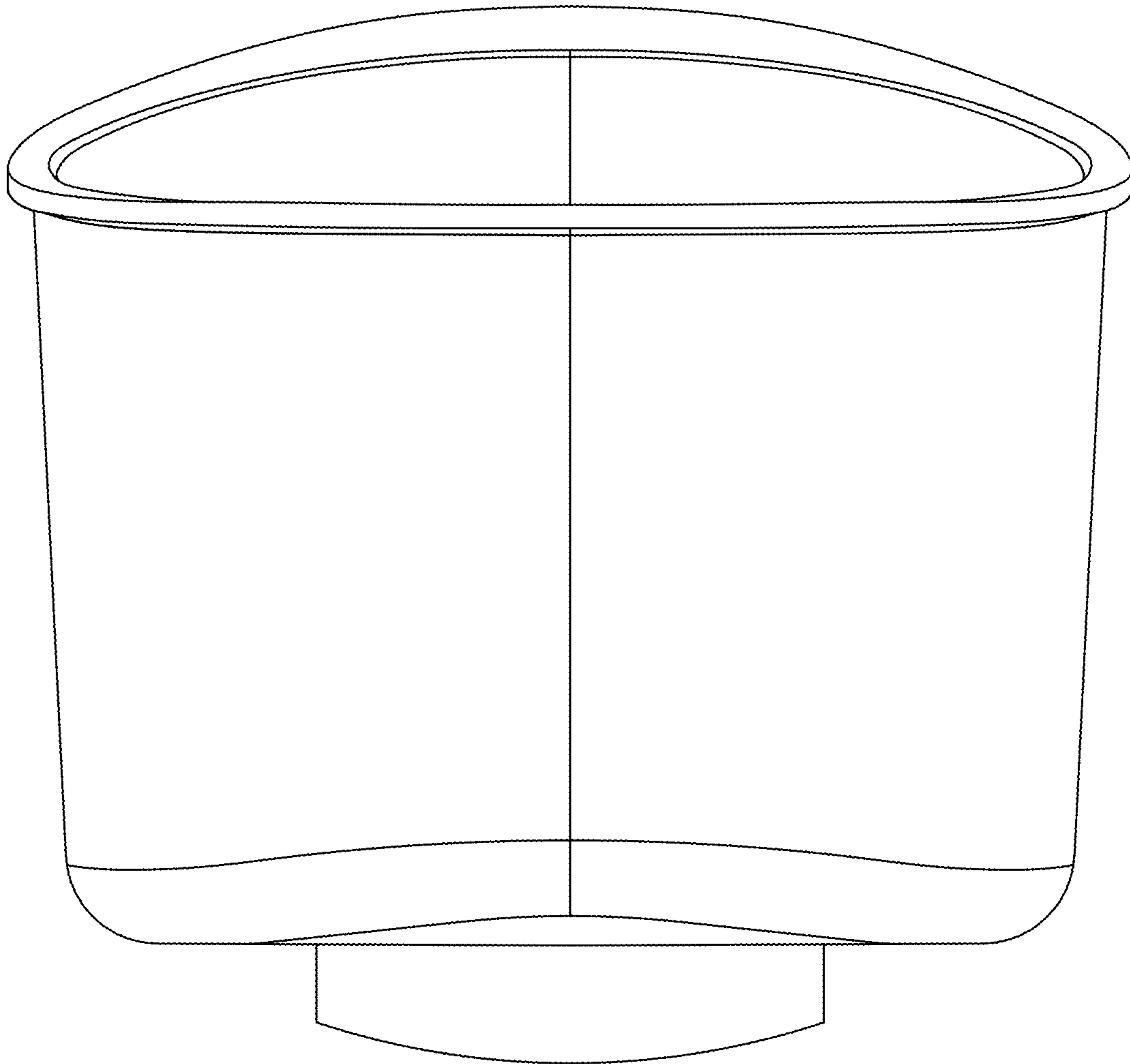
1.4



1.5



1.6



1.7

