



US00D924302S

(12) **United States Design Patent**
Scalisi et al.

(10) **Patent No.:** **US D924,302 S**
(45) **Date of Patent:** **** Jul. 6, 2021**

(54) **CAMERA**

(71) Applicant: **SkyBell Technologies, Inc.**, Irvine, CA (US)

(72) Inventors: **Joseph Frank Scalisi**, Yorba Linda, CA (US); **Joon Sung**, Riverside, CA (US)

(73) Assignee: **SkyBell Technologies IP, LLC**, Irvine, CA (US)

(**) Term: **15 Years**

(21) Appl. No.: **29/719,485**

(22) Filed: **Jan. 5, 2020**

(51) **LOC (13) Cl.** **16-01**

(52) **U.S. Cl.**
USPC **D16/203**; D16/202

(58) **Field of Classification Search**
USPC D16/200, 202–208, 218, 219; 348/143, 348/148, 151, 373–376; 396/419, 427, 396/535, 539–541
CPC G03B 17/02; G03B 19/04; G03B 17/56; G03B 17/04; G03B 15/03; H04N 5/2251; H04N 5/2252; H04N 5/2253; H04N 5/2254; H04N 7/181; H04N 7/183; H04N 7/18; G08B 13/1963; G08B 13/19619; G08B 13/19632

See application file for complete search history.

(56) **References Cited**

U.S. PATENT DOCUMENTS

1,230,643 A	6/1917	Anderson
D179,803 S	3/1957	Gillette
4,172,967 A	10/1979	Porter
D283,130 S	3/1986	Boenning
D305,019 S	12/1989	Pena
D318,632 S	7/1991	Polacek

(Continued)

OTHER PUBLICATIONS

Feel the Nature; Modern Push Button Light Switch; Downloaded on Jun. 13, 2018 from <URL: <http://feelthenature.info/modern-push-button-light-switch/>>; Prior art publication at least as of Apr. 1, 2018.

(Continued)

Primary Examiner — Ramzi Almatrahi

(74) *Attorney, Agent, or Firm* — Wesley E. Schwie, Esq.; Gallium Law, LLC

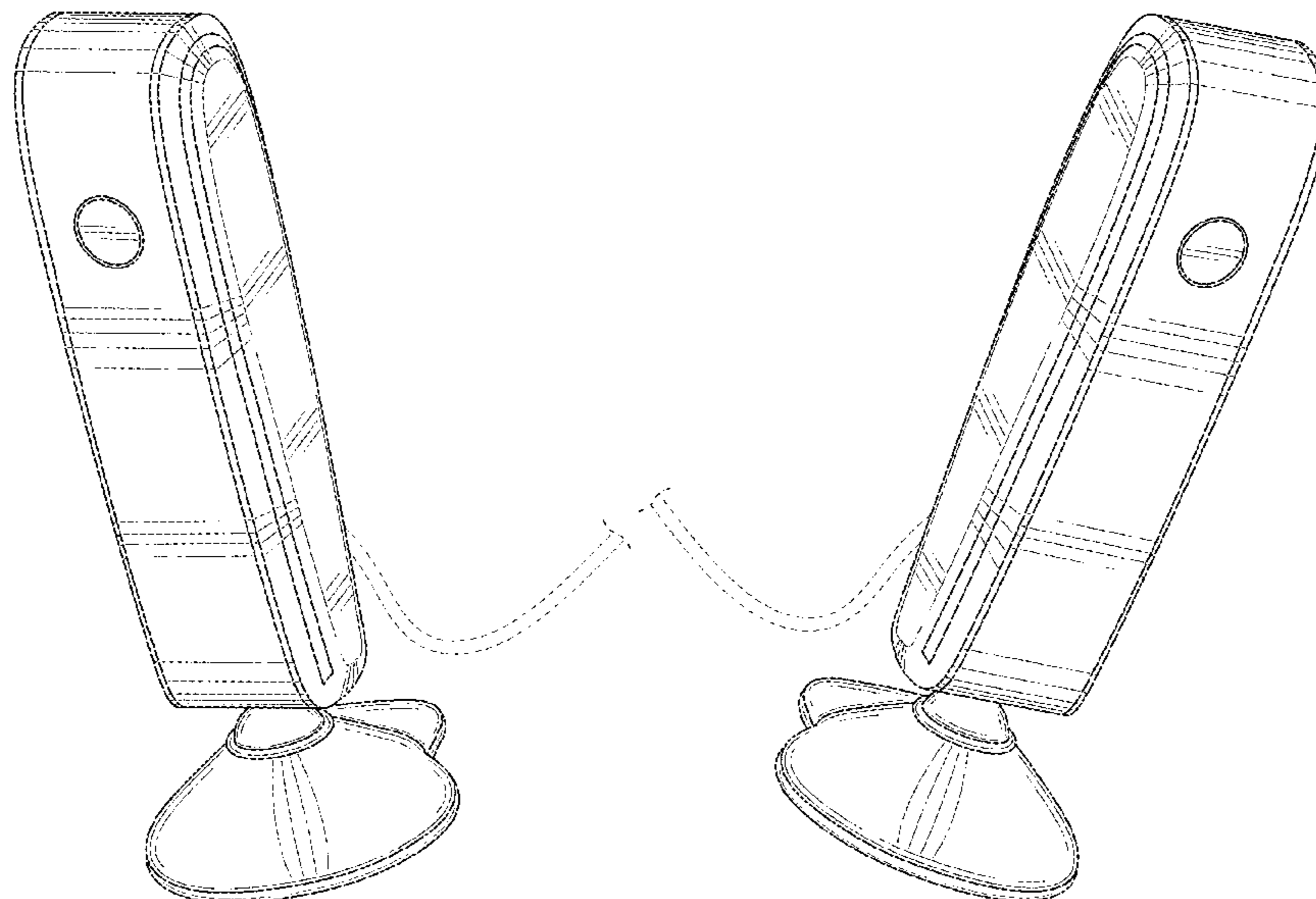
(57) **CLAIM**

The ornamental design for a camera, as shown and described.

DESCRIPTION

FIG. 1 is a front and first side perspective view of a camera showing our new design;
FIG. 2 is a front, second side, and top perspective view thereof;
FIG. 3 is a front, second side, and bottom perspective view thereof;
FIG. 4 is a front, first side, and top perspective view thereof;
FIG. 5 is a front, second side, and top perspective view thereof;
FIG. 6 is a front view thereof;
FIG. 7 is a back view thereof;
FIG. 8 is a second side view thereof;
FIG. 9 is a first side view thereof;
FIG. 10 is a top view thereof;
FIG. 11 is a bottom view thereof;
FIG. 12 is an exploded front and second side perspective view thereof;
FIG. 13 is an exploded front view thereof; and,
FIG. 14 is an exploded second side view thereof.
The broken lines depict portions of the camera in which the design is embodied that form no part of the claimed design.

1 Claim, 14 Drawing Sheets



(56)

References Cited

U.S. PATENT DOCUMENTS

5,148,468 A 9/1992 Marrick
 D335,283 S 5/1993 Justiniano
 D344,036 S 2/1994 Yuen
 D366,262 S 1/1996 Inaba
 D381,638 S 7/1997 Kruse
 D392,907 S 3/1998 Buckley
 D392,576 S 5/1998 Pun
 D405,021 S 2/1999 Stelle
 D418,770 S 1/2000 Ragan
 D465,532 S 11/2002 Hussaini
 D489,323 S 5/2004 Yoshida
 D500,751 S 1/2005 Yukikado
 7,015,943 B2 3/2006 Chiang
 D519,100 S 4/2006 Shioya
 D522,490 S 6/2006 Yukikado
 D525,963 S 8/2006 Yukikado
 7,113,578 B2 9/2006 Unger
 D531,160 S 10/2006 Yukikado
 D534,938 S * 1/2007 Beasley D14/130
 D562,306 S 2/2008 Jeong
 D574,742 S 8/2008 Spencer
 D575,316 S 8/2008 Liu
 D588,069 S 3/2009 Cummings
 D588,574 S 3/2009 Takahata
 D592,611 S 5/2009 Altonen
 D595,240 S 6/2009 Busbridge
 D595,260 S 6/2009 Takahata
 D605,542 S 12/2009 Ho
 D619,157 S 7/2010 Kim
 D621,795 S 8/2010 Leung
 D623,605 S 9/2010 Flowers
 D633,930 S 3/2011 Dinger
 D635,102 S 3/2011 Tsui
 D636,286 S 4/2011 Khor
 D645,001 S 9/2011 Margolin
 D647,946 S 11/2011 Raken
 D658,591 S 5/2012 Margolin
 D660,819 S 5/2012 Chen
 D666,995 S 9/2012 Termeer
 D707,147 S 6/2014 Crippa
 D710,727 S 8/2014 Siminoff
 D710,728 S 8/2014 Siminoff
 8,834,044 B2 9/2014 Uehara
 D728,509 S 5/2015 Hinkel
 D728,655 S 5/2015 Yang
 D732,547 S 6/2015 McClelland
 D736,717 S 8/2015 Duffy
 9,113,051 B1 8/2015 Scalisi
 D741,866 S 10/2015 Ballout
 D743,467 S * 11/2015 Bhattacharya D16/214
 D745,080 S 12/2015 Masano
 D746,350 S * 12/2015 Li D16/214
 D747,383 S * 1/2016 Li D16/203
 D747,386 S 1/2016 Li
 9,230,424 B1 1/2016 Scalisi
 D753,664 S 4/2016 McClelland
 D754,231 S 4/2016 Murray
 D764,958 S 8/2016 Scalisi
 D765,530 S 9/2016 Scalisi
 D766,864 S 9/2016 Tani
 D766,865 S 9/2016 Tani
 D776,068 S 1/2017 Maffetone
 D778,195 S 2/2017 Li
 9,584,775 B2 2/2017 Siminoff
 D787,359 S 5/2017 Scalisi
 D788,061 S 5/2017 Siminoff
 D788,834 S 6/2017 Bhattacharya
 D789,820 S 6/2017 Siminoff
 D793,268 S 8/2017 Ye
 D795,940 S 8/2017 Huang
 D798,177 S 9/2017 Siminoff
 9,769,435 B2 9/2017 Scalisi
 D800,592 S 10/2017 Jean
 D801,843 S 11/2017 Siminoff
 D802,463 S 11/2017 Siminoff

D802,644 S 11/2017 Lee
 D806,773 S 1/2018 Wieser
 D806,774 S 1/2018 Ahman
 D813,700 S 3/2018 Scalisi
 D813,701 S 3/2018 Scalisi
 D816,528 S 5/2018 Wen
 D817,207 S 5/2018 Scalisi
 D817,208 S 5/2018 Ravat
 D818,514 S 5/2018 Ahman
 D820,136 S 6/2018 Scalisi
 D825,639 S * 8/2018 Kan D16/203
 10,041,639 B1 8/2018 Thompson
 D828,201 S * 9/2018 Jeong D10/118.2
 D833,504 S * 11/2018 Leiponis D16/214
 D840,368 S * 2/2019 Deng D14/159
 D840,856 S 2/2019 Scalisi
 D840,857 S 2/2019 Scalisi
 D849,095 S * 5/2019 Puric D16/203
 D872,790 S * 1/2020 Hasegawa D16/202
 D877,227 S * 3/2020 Seflic D16/202
 D887,477 S * 6/2020 Vega D16/214
 2004/0124978 A1 7/2004 Chen
 2008/0036862 A1 2/2008 Lang
 2013/0045763 A1 2/2013 Ruiz
 2013/0335568 A1 12/2013 Tang
 2014/0125754 A1 5/2014 Haywood
 2014/0301729 A1 10/2014 Okamura
 2015/0022618 A1 1/2015 Siminoff
 2015/0049191 A1 2/2015 Scalisi
 2015/0228167 A1 8/2015 Scalisi
 2015/0358515 A1 12/2015 Resnick
 2016/0191864 A1 6/2016 Siminoff
 2016/0284170 A1 9/2016 Kasmir
 2016/0300476 A1 10/2016 Kasmir
 2017/0048495 A1 2/2017 Scalisi
 2017/0084131 A1 3/2017 Harrison
 2017/0084132 A1 3/2017 Scalisi
 2017/0192343 A1 * 7/2017 Leiponis G03B 17/561
 2017/0280109 A1 9/2017 Scalisi
 2017/0339262 A1 11/2017 Scalisi
 2017/0373876 A1 12/2017 Scalisi
 2017/0373877 A1 12/2017 Scalisi
 2018/0069722 A1 3/2018 Scalisi

OTHER PUBLICATIONS

Forbes; The Invisible Light Switch; Downloaded on Jun. 13, 2018 from <URL: <https://web.archive.org/web/20130404165907/https://www.forbesandlomag.com/the-invisible-lightswitch.html>>; Prior art publication at least as of Apr. 4, 2013.
 Amazon; Wireless Doorbell and Wireless Intercom Doorbell; Downloaded on Jun. 13, 2018 from <URL: <https://www.amazon.com/Wireless-Doorbell-Intercom-Operating-Napok/dp/B071FR8J41>>; Prior art publication at least as of Jun. 1, 2017.
 ETSY; 2 Vintage Intercom Push Button Boxes Desktop Bakelite 1872 Edwards; Downloaded on Jun. 13, 2018 from <URL: <https://www.etsy.com/listing/599141432/2-vintage-intercom-push-button-boxes>>; Prior art publication at least as of May 30, 2018.
 Home Depot; Nest Wired Hello Door Bell Push Button, White; Downloaded on Jun. 13, 2018 from <URL: <https://www.homedepot.com/p/Nest-Wired-Hello-Door-Bell-Push-Button-White-NC5100US/302997805>>; Prior art publication at least as of May 30, 2018.
 Toms Guide; Best Video Doorbells of 2018; Downloaded on Jun. 13, 2018 from <URL: <https://www.tomsguide.com/us/best-video-doorbells,review-4468.html>>; Prior art publication at least as of May 18, 2018.
 Youtube; Wi-Fi Video Door Intercom + Door Bell—CVAEQ-J118; Downloaded on Jun. 13, 2018 from <URL: https://www.youtube.com/watch?v=CFcaYI_K19E>; Prior art publication at least as of Jun. 27, 2015.
 Blink for Home; Blink XT Add on Camera—Refurbished; Downloaded on Jun. 13, 2018 from <URL: <https://blinkforhome.com/>>

(56)

References Cited

OTHER PUBLICATIONS

products/blinkxt-refurbished>; Prior art publication at least as of
May 30, 2018.

* cited by examiner

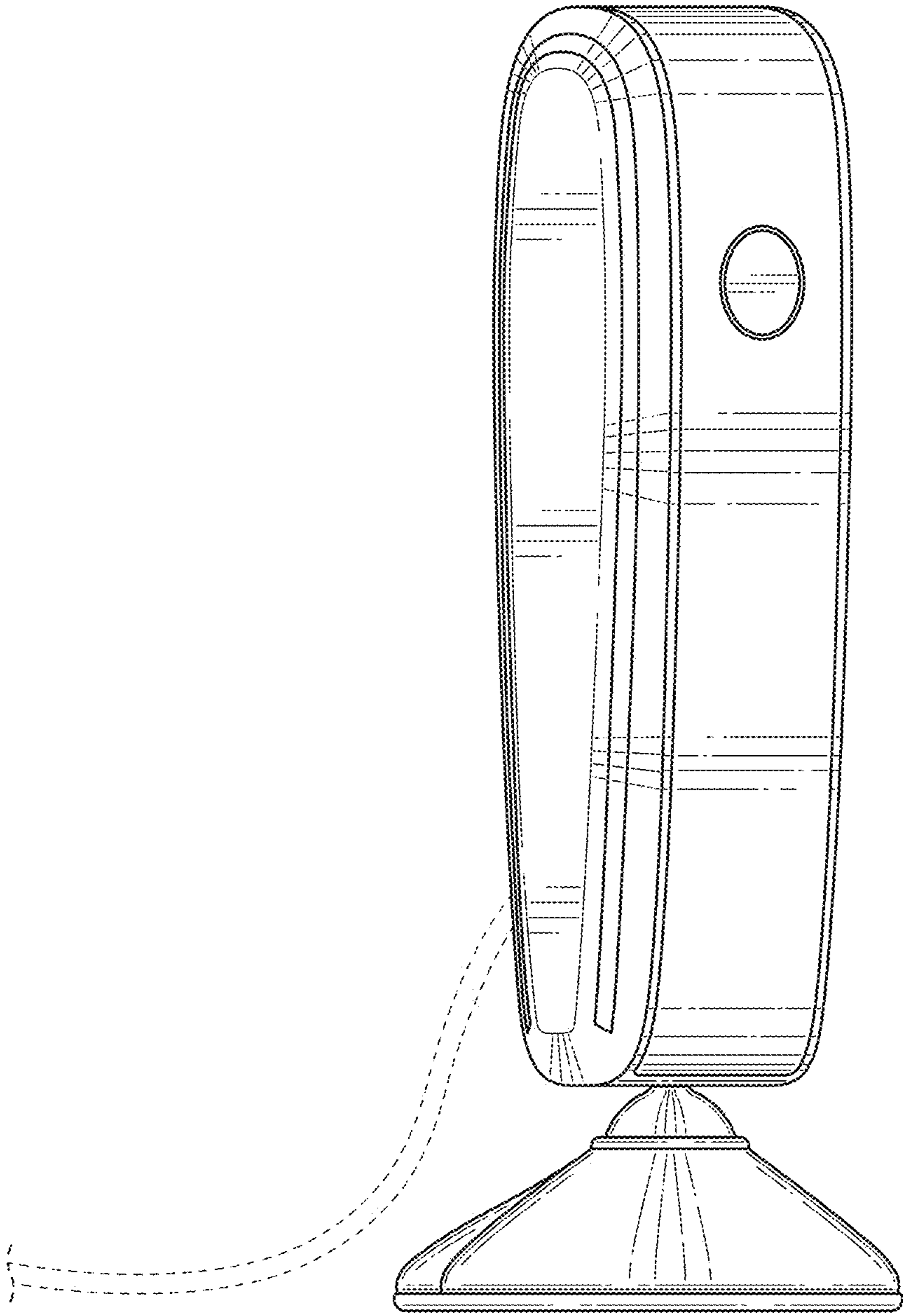


Figure 1

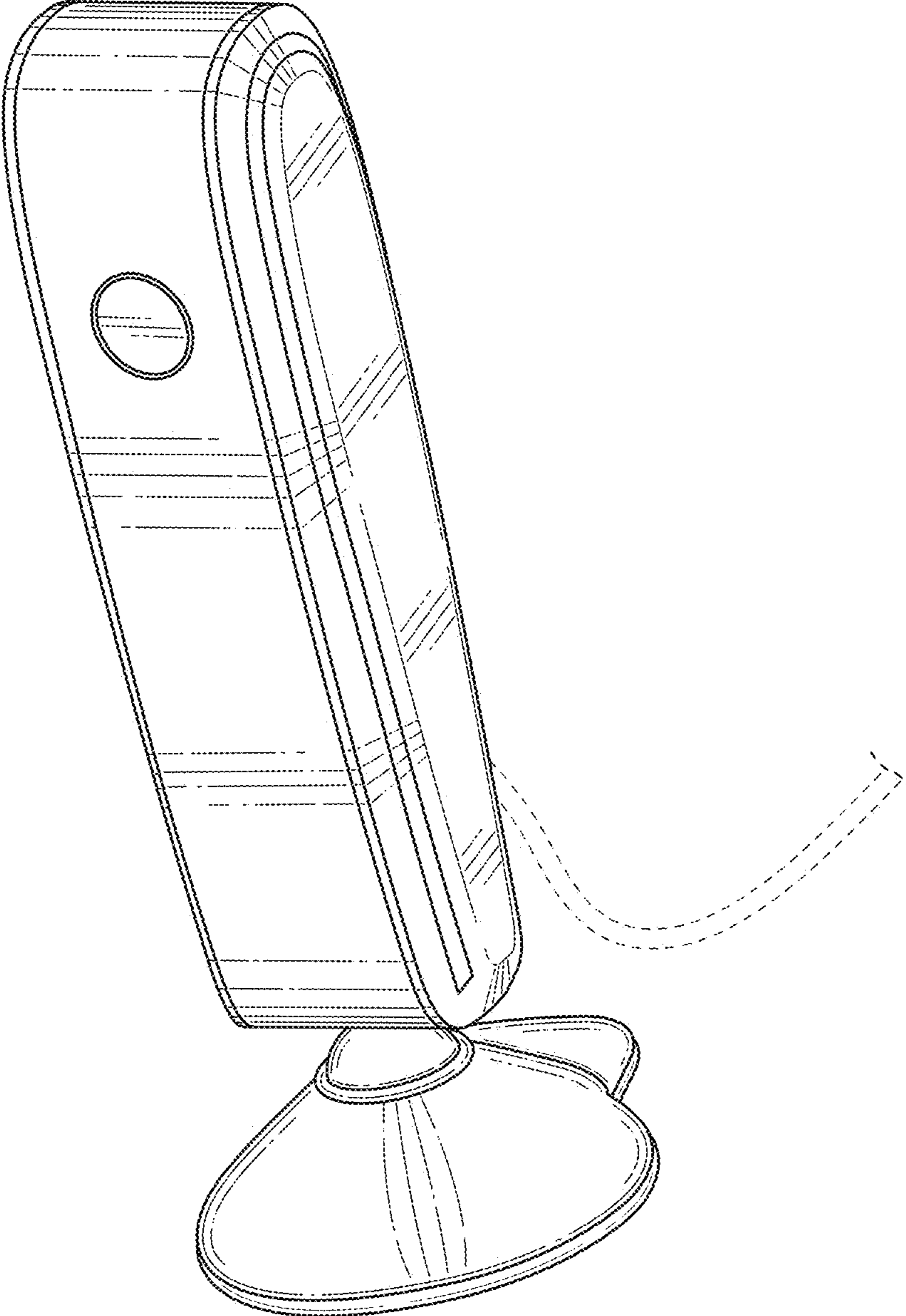


Figure 2

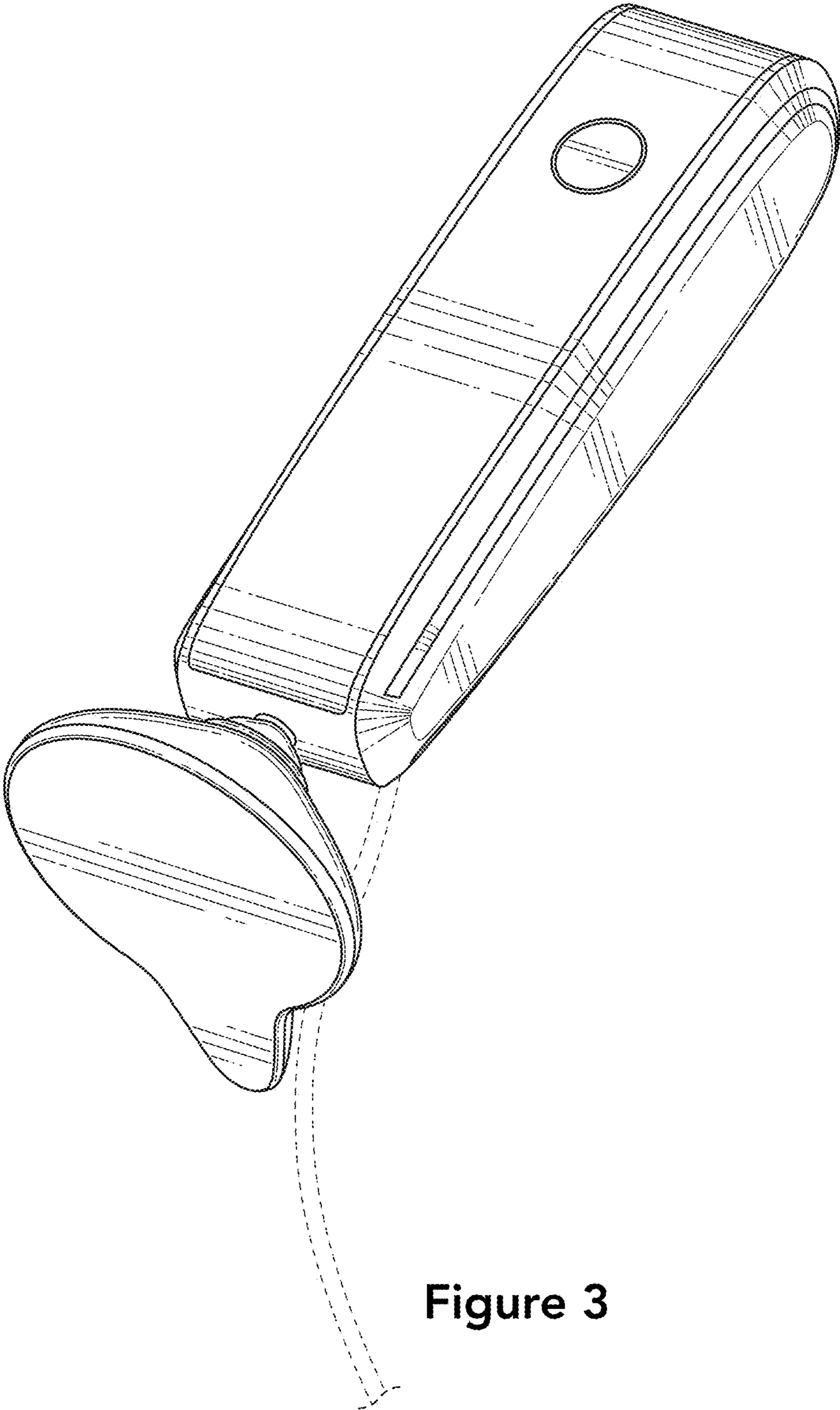


Figure 3

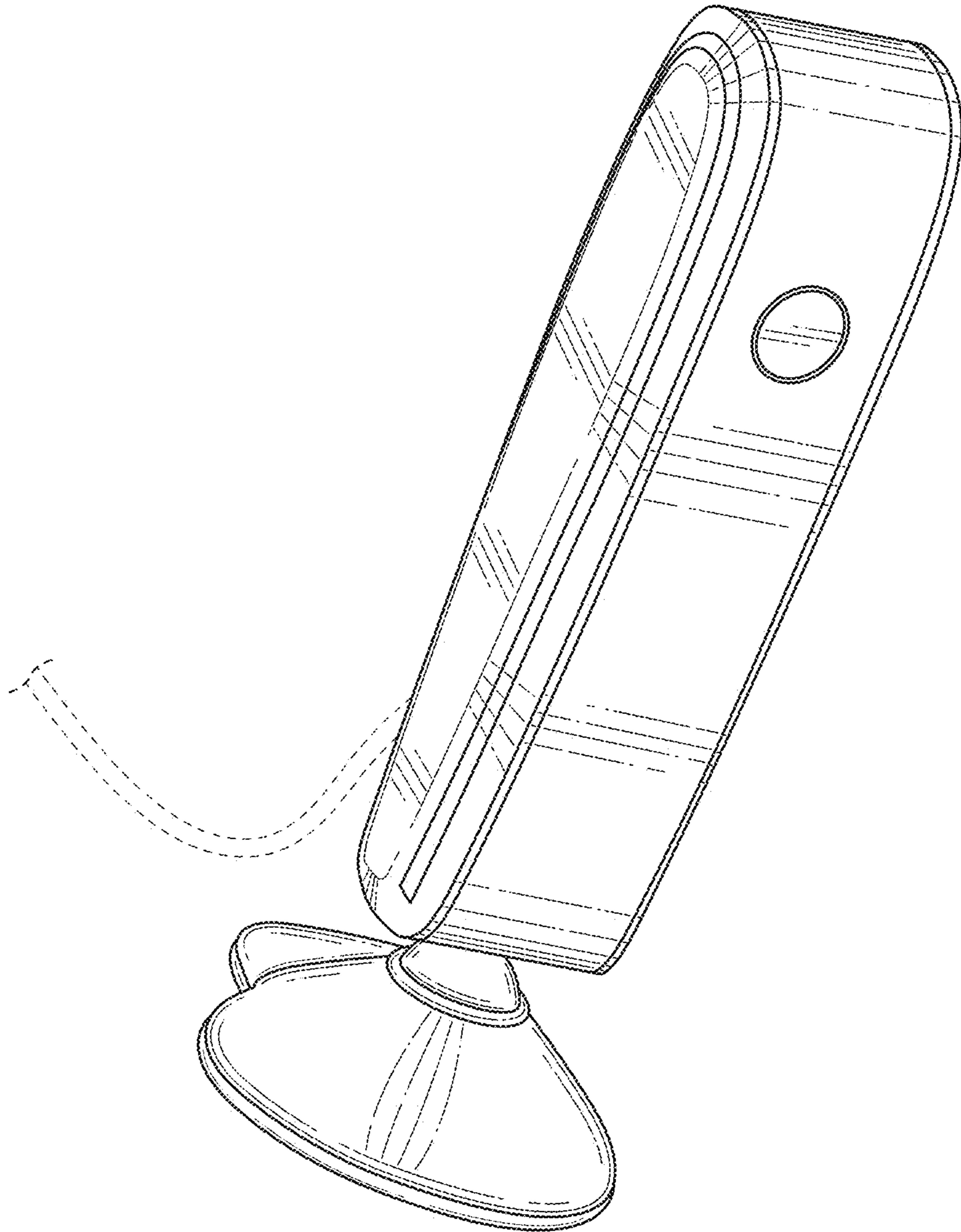


Figure 4

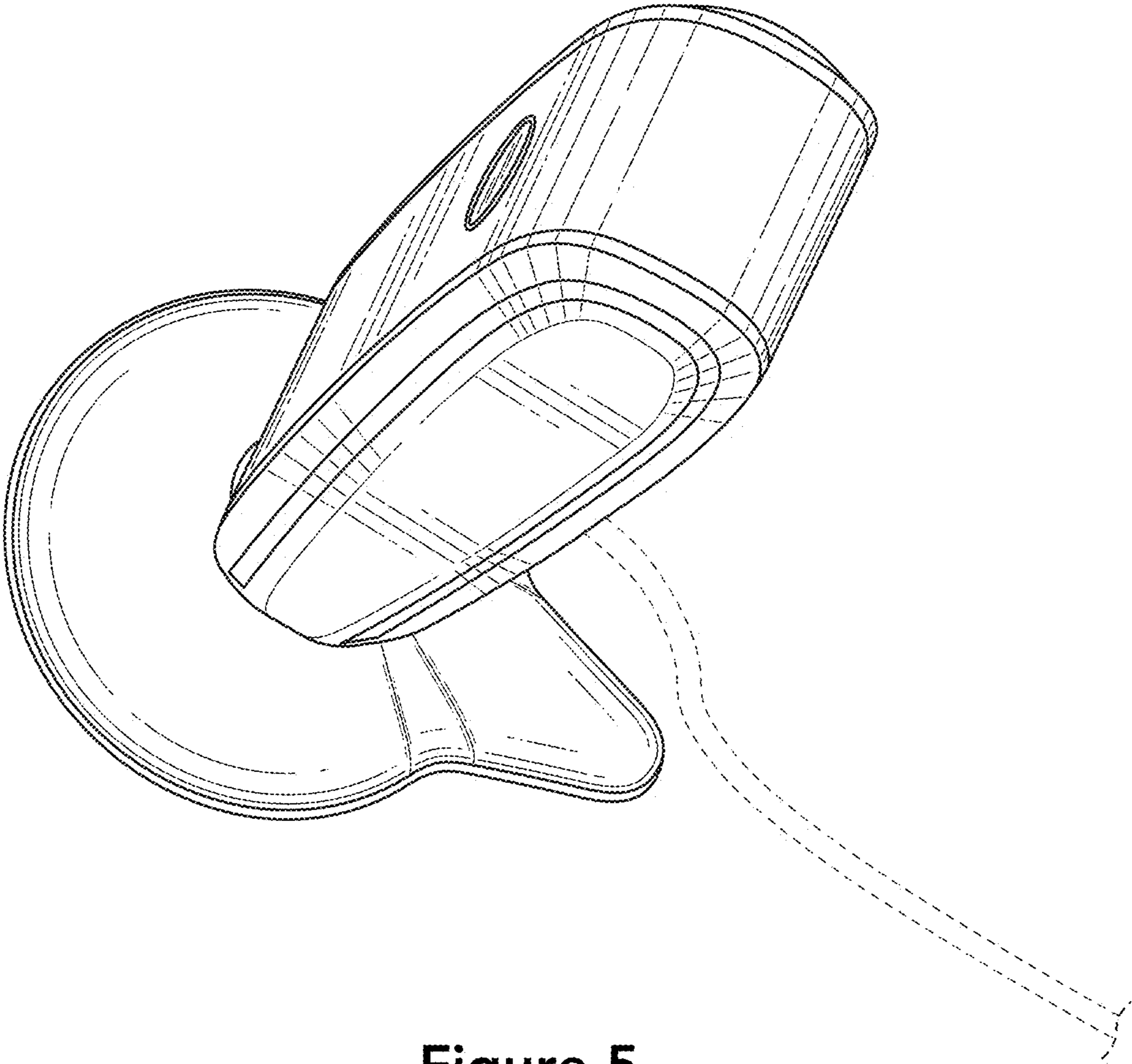


Figure 5

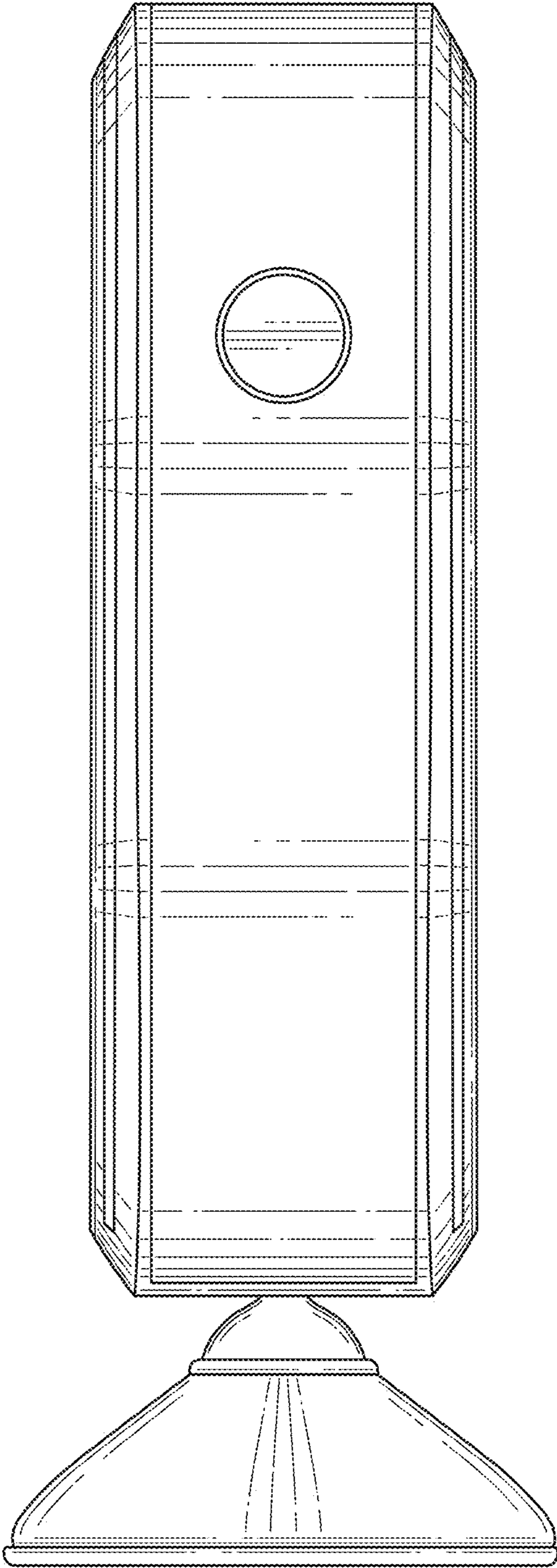


Figure 6

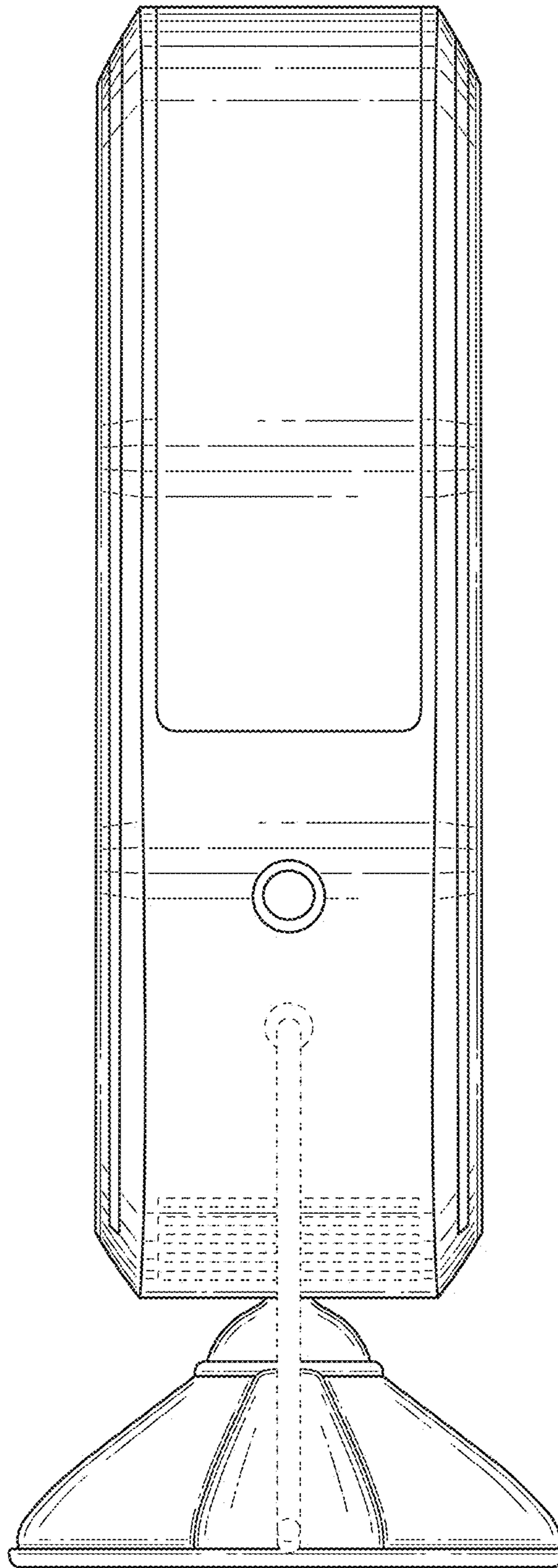


Figure 7

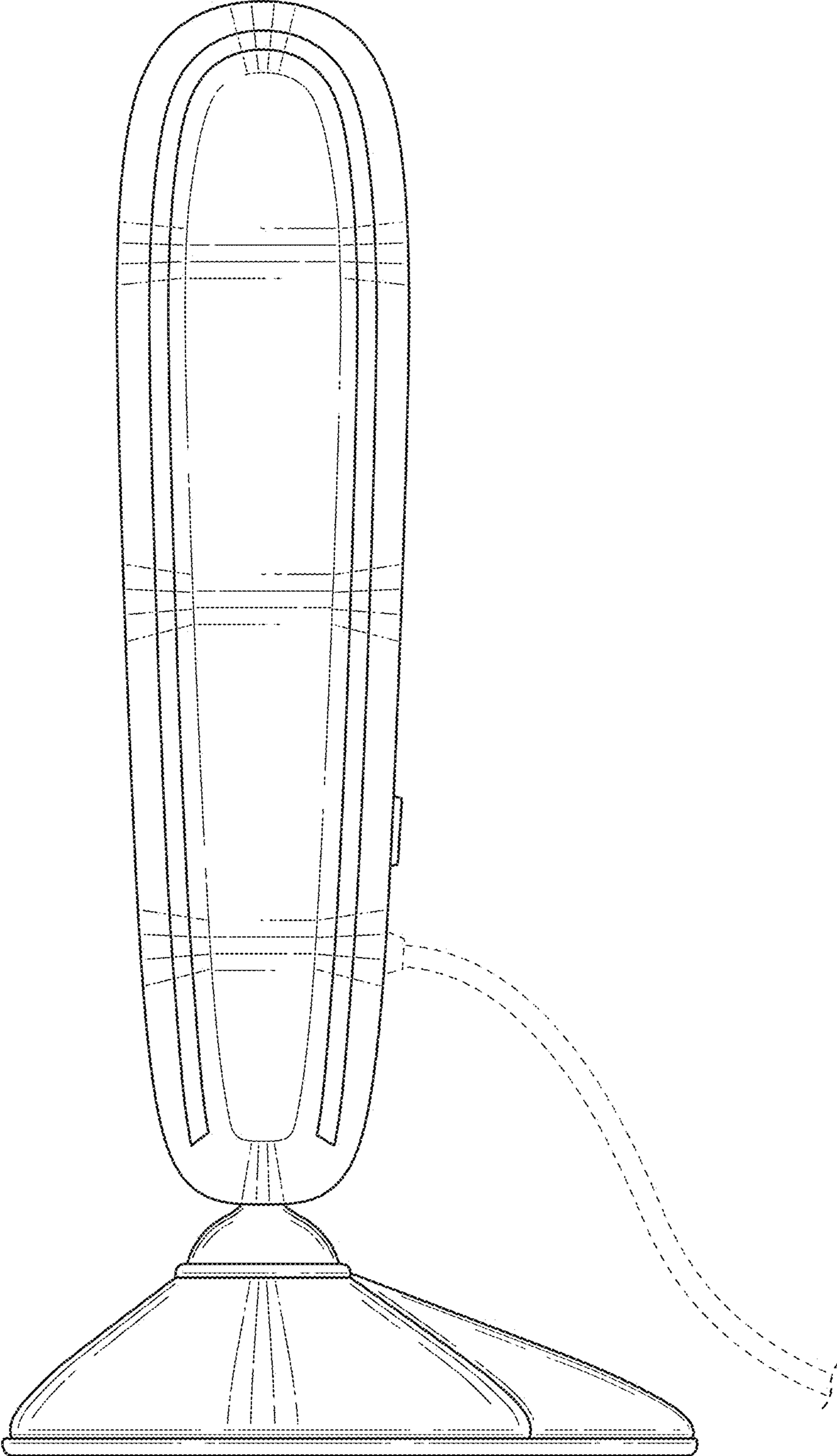


Figure 8

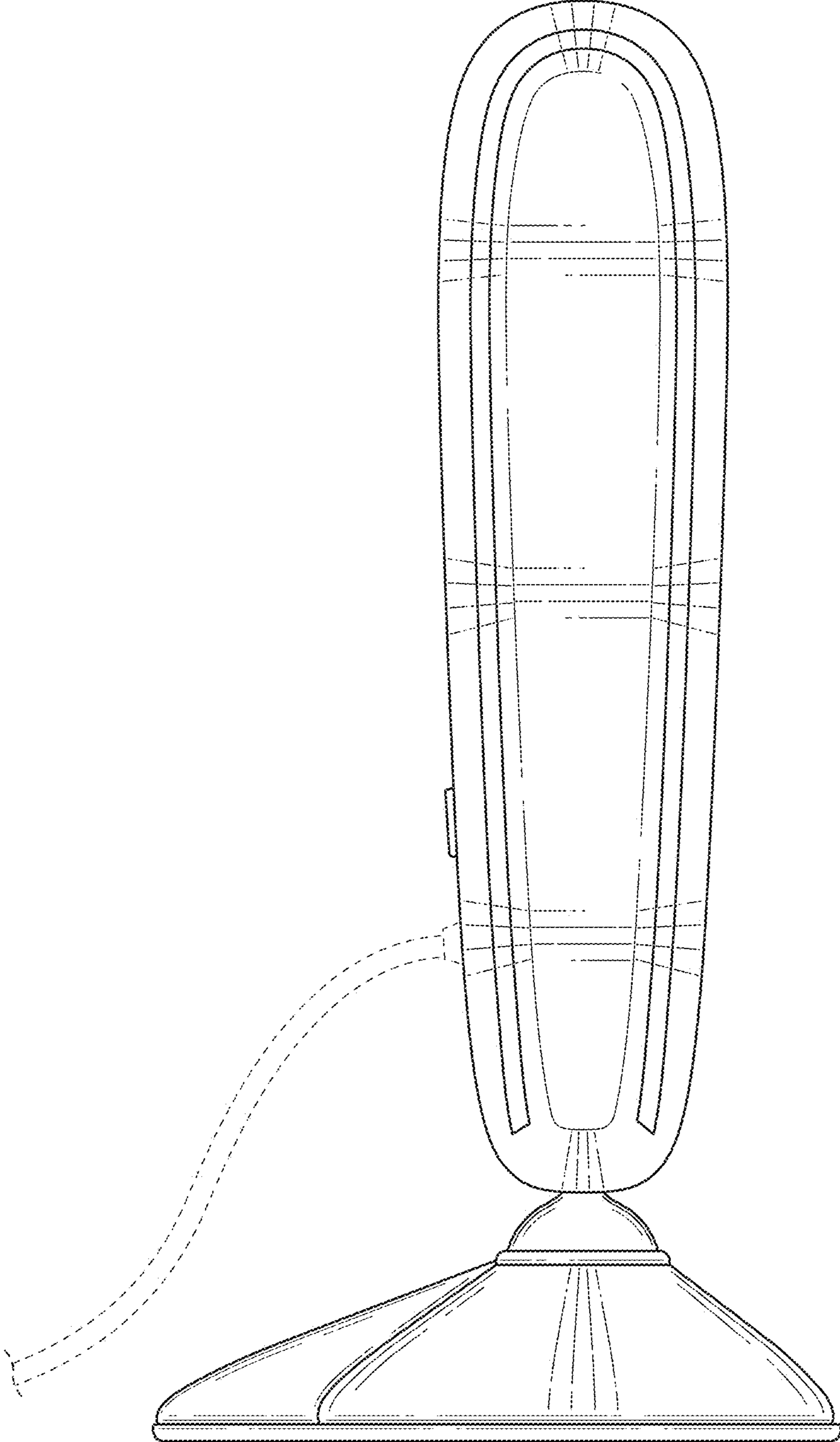


Figure 9

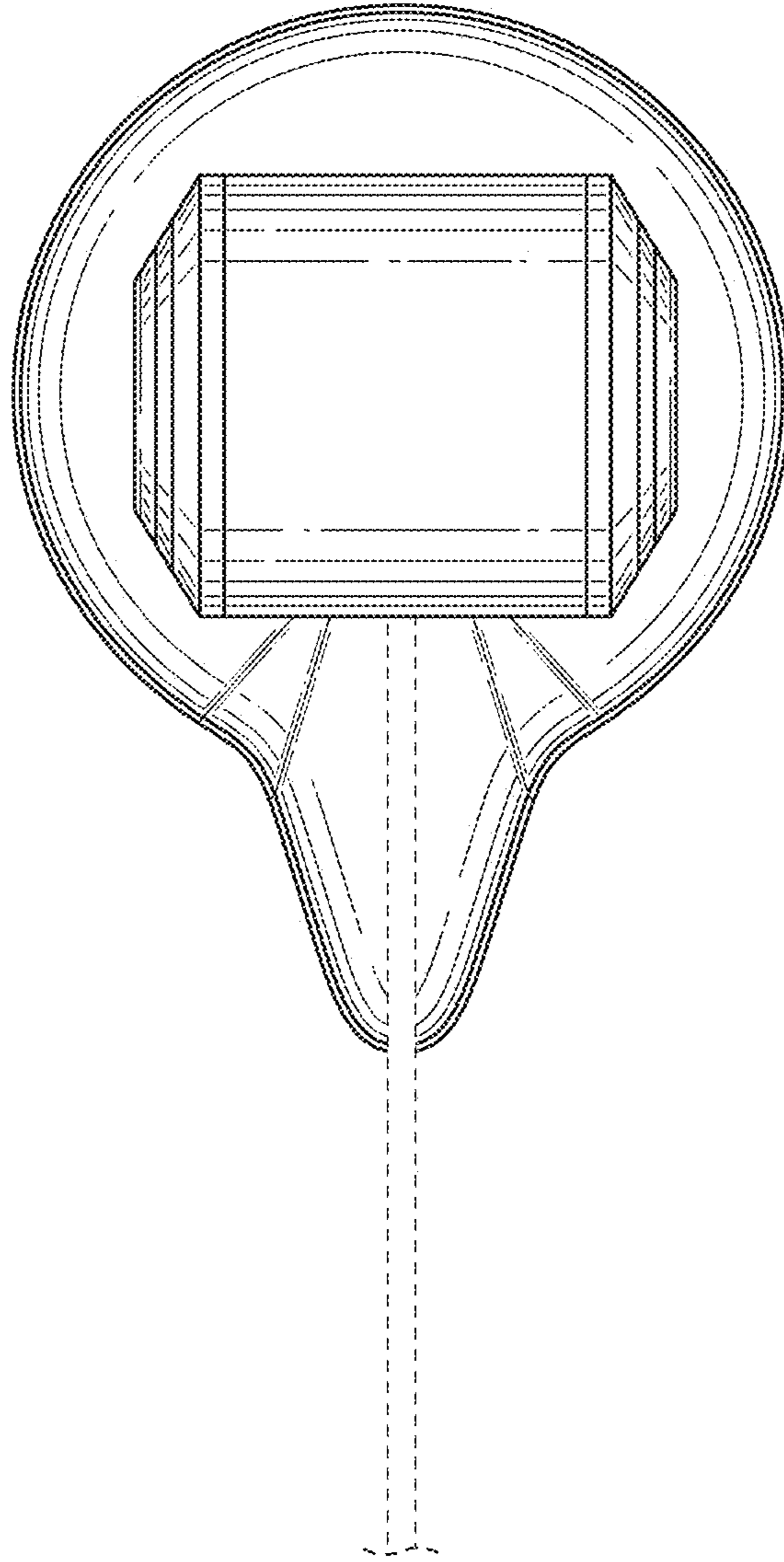


Figure 10

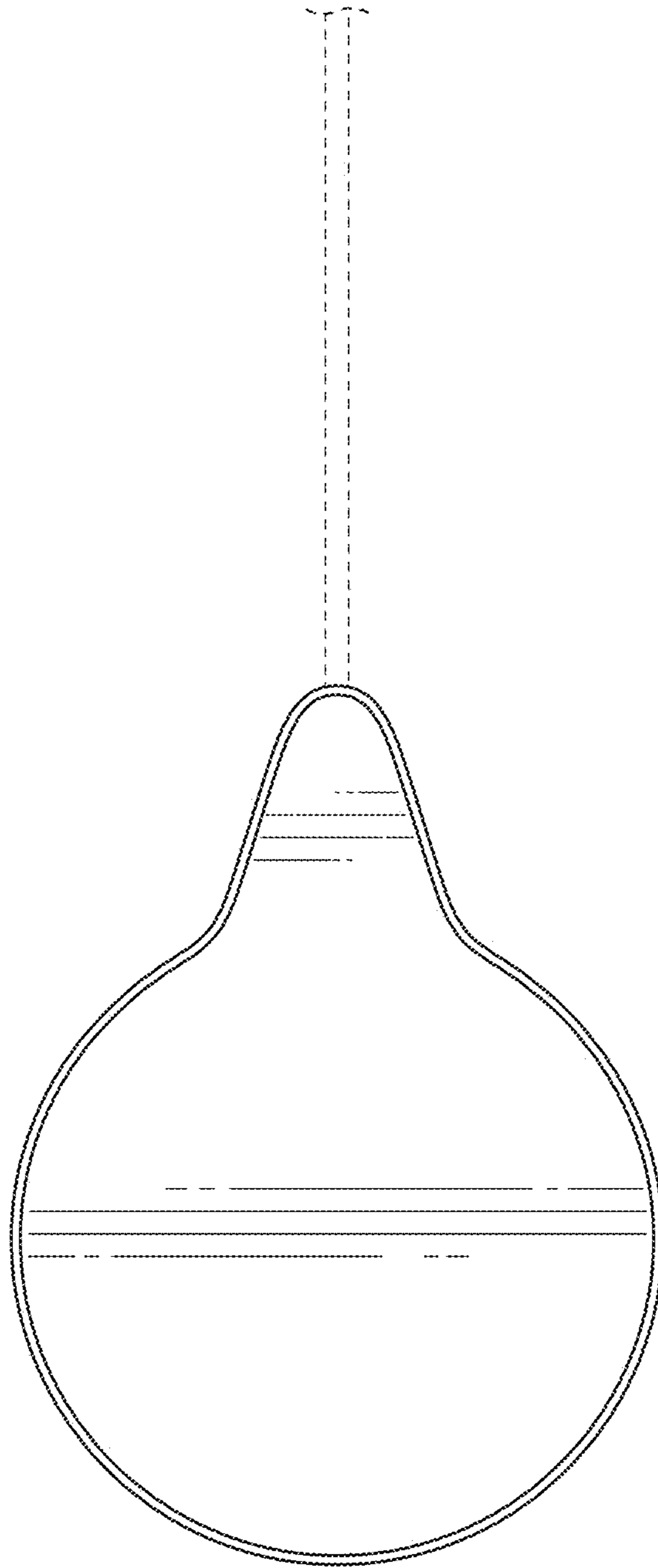


Figure 11

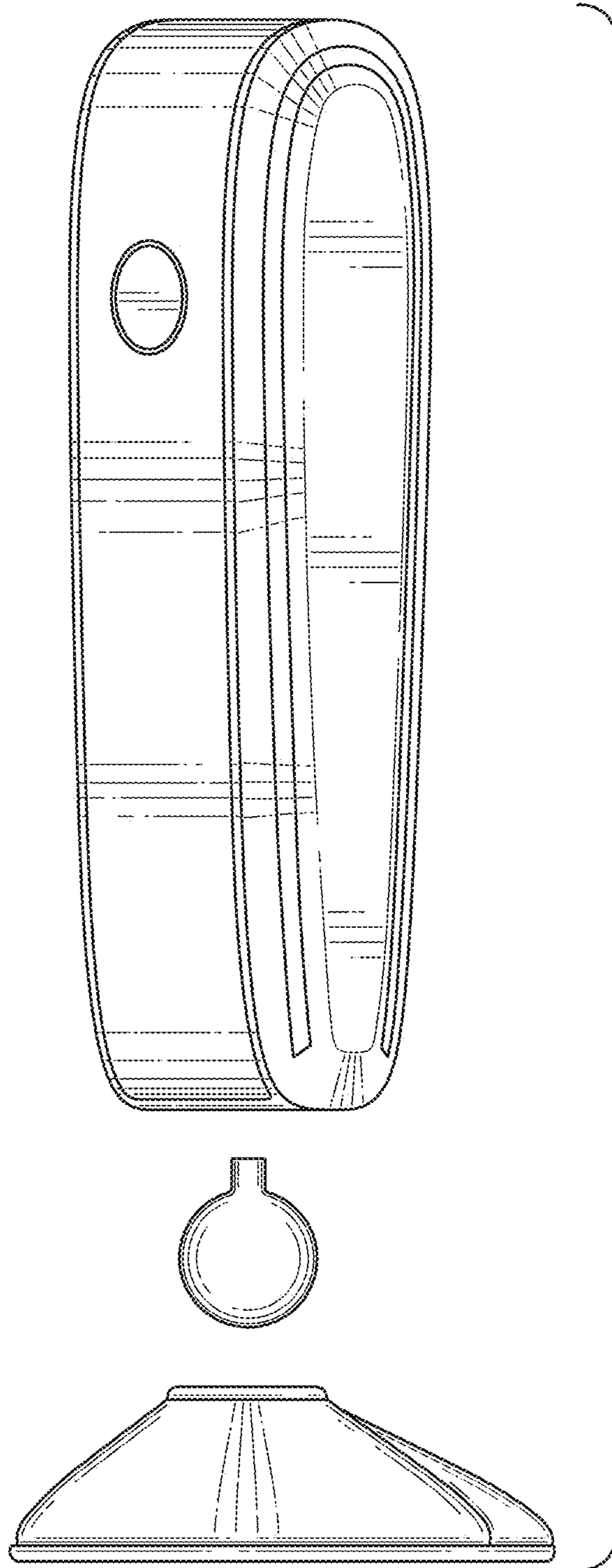


Figure 12

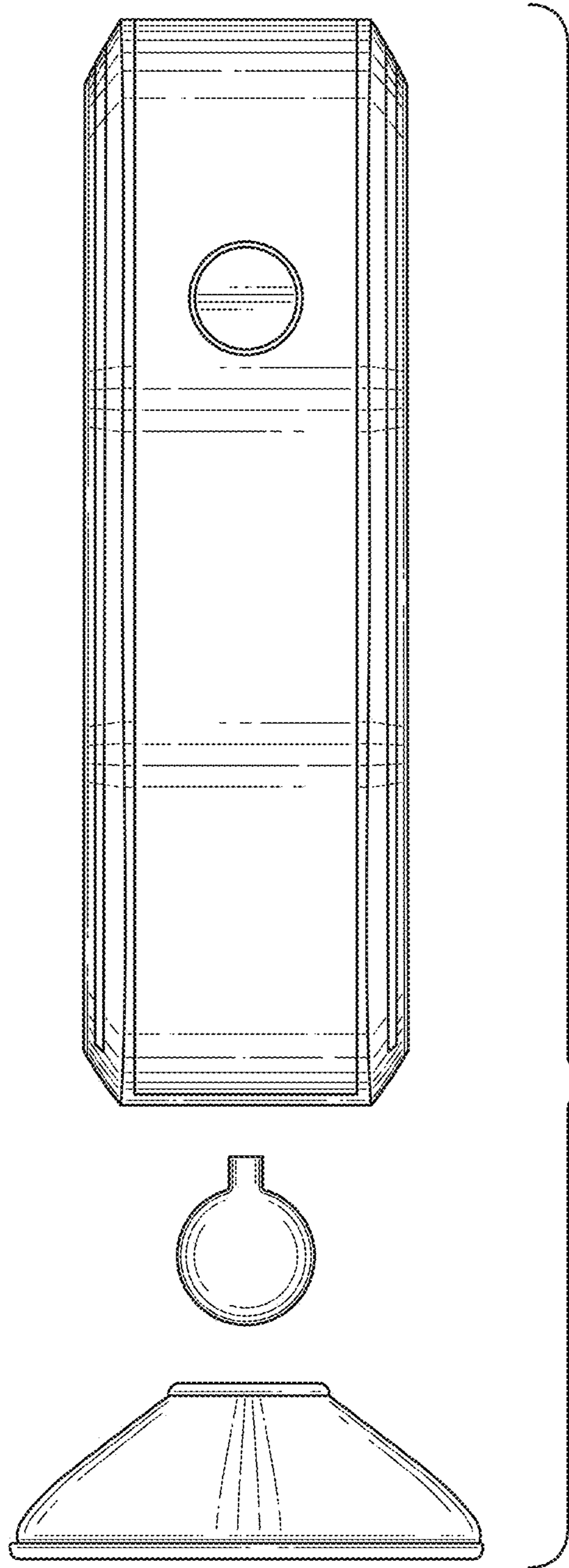


Figure 13

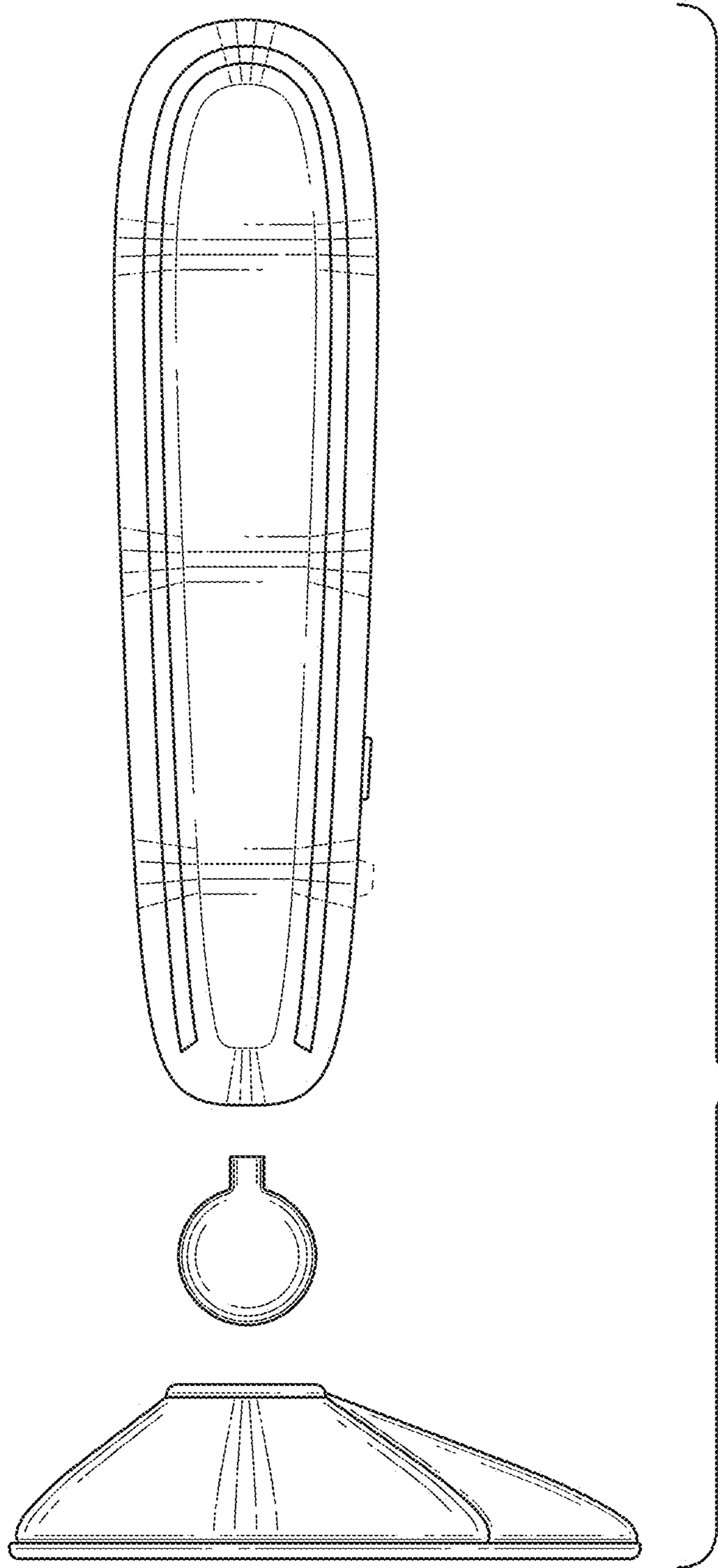


Figure 14