



US00D924300S

(12) **United States Design Patent** (10) **Patent No.:** **US D924,300 S**
Zhao (45) **Date of Patent:** **** Jul. 6, 2021**

(54) **WEBCAM**
 (71) Applicant: **Shenzhen Gaoxinde Intelligent Technology Co., Ltd., Shenzhen (CN)**
 (72) Inventor: **Jiawei Zhao, Guangdong (CN)**
 (73) Assignee: **Shenzhen Gaoxinde Intelligent Technology Co., Ltd., Shenzhen (CN)**
 (**) Term: **15 Years**

D628,222 S * 11/2010 Tzeng D16/202
 D632,719 S * 2/2011 Tsai D16/202
 D636,422 S * 4/2011 Hou D16/202
 D641,770 S * 7/2011 Hoehn D16/202
 D659,733 S * 5/2012 Chen D16/202
 D665,439 S * 8/2012 Khamsepoor D16/202
 D674,427 S * 1/2013 Khamsepoor D16/202
 D849,088 S * 5/2019 Lai D16/202
 D849,089 S * 5/2019 Lu D16/202
 D849,098 S * 5/2019 Kapuria et al.
 D870,790 S * 12/2019 Depay D16/202
 D907,091 S * 1/2021 Lv et al.
 D914,076 S * 3/2021 Abel D16/202

(21) Appl. No.: **29/769,600**
 (22) Filed: **Feb. 5, 2021**
 (51) **LOC (13) Cl.** **16-01**
 (52) **U.S. Cl.**
 USPC **D16/202**
 (58) **Field of Classification Search**
 USPC D16/200, 202–203, 208, 218, 219, 242;
 248/187.1; 348/14.01–14.6, 143, 148,
 348/151, 373–376; 396/419, 427, 428,
 396/535, 539–541
 CPC G03B 17/02; G03B 19/04; G03B 17/56;
 G03B 17/04; G03B 15/03; H04N
 2101/00; H04N 2007/145; H04N 7/141;
 H04N 7/142; H04N 7/147; H04N 7/148;
 H04N 7/15; H04N 7/152
 See application file for complete search history.

* cited by examiner

Primary Examiner — Ramzi Almatrahi
 (74) *Attorney, Agent, or Firm* — ScienBiziP, P.C.

(57) **CLAIM**

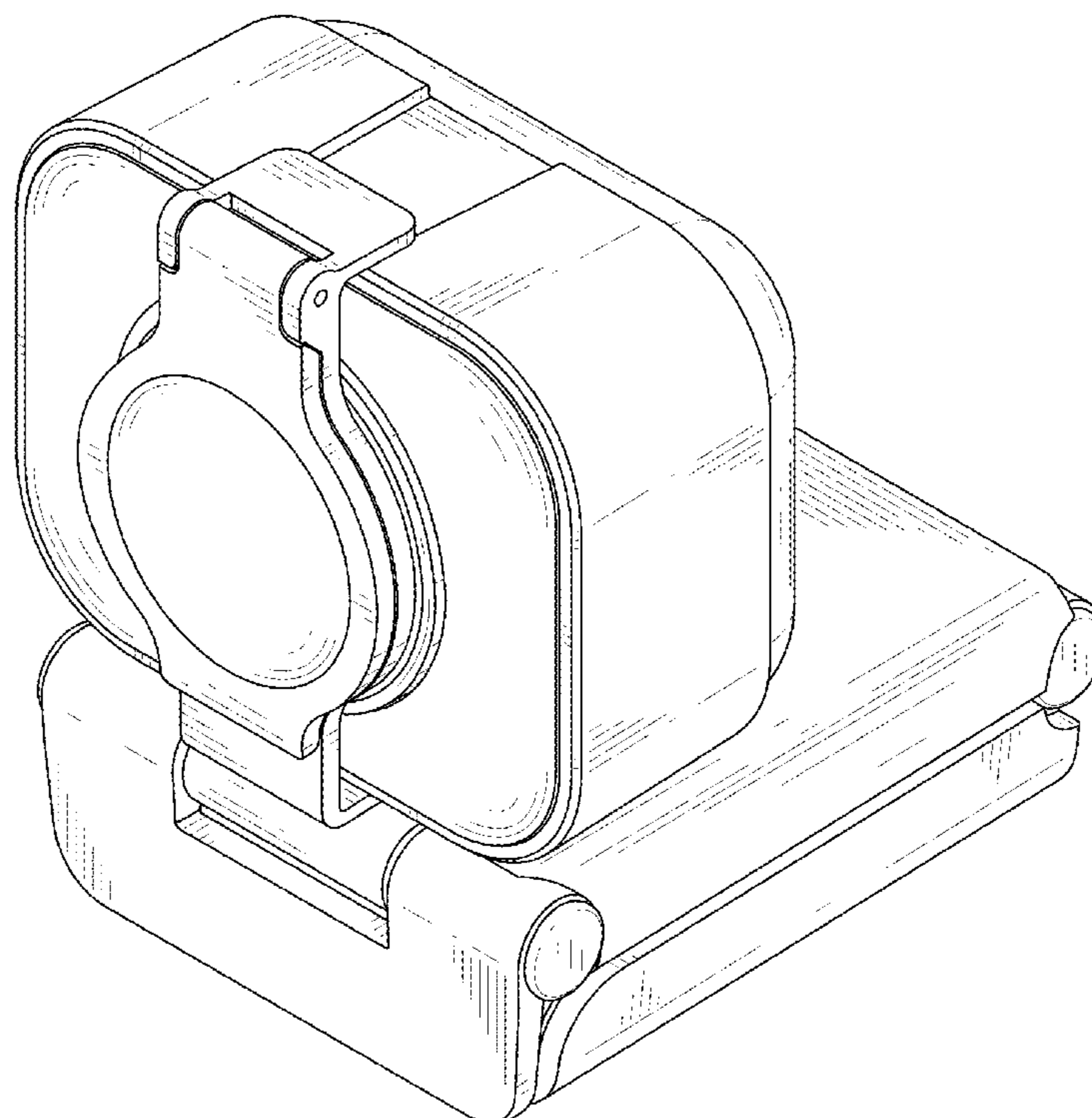
The ornamental design for a webcam, as shown and described.

DESCRIPTION

FIG. 1 is a top, front and right side perspective view of a webcam showing my new design;
 FIG. 2 is a front elevation view thereof;
 FIG. 3 is a rear elevation view thereof;
 FIG. 4 is a left side elevation view thereof;
 FIG. 5 is a right side elevation view thereof;
 FIG. 6 is a top plan view thereof; and,
 FIG. 7 is a bottom plan view thereof.
 The broken lines shown in the drawings are included for the purpose of illustrating portions of the webcam that form no part of the claimed design.

(56) **References Cited**
 U.S. PATENT DOCUMENTS
 D573,622 S * 7/2008 Fisher D16/202
 D627,813 S * 11/2010 Chen D16/202

1 Claim, 7 Drawing Sheets



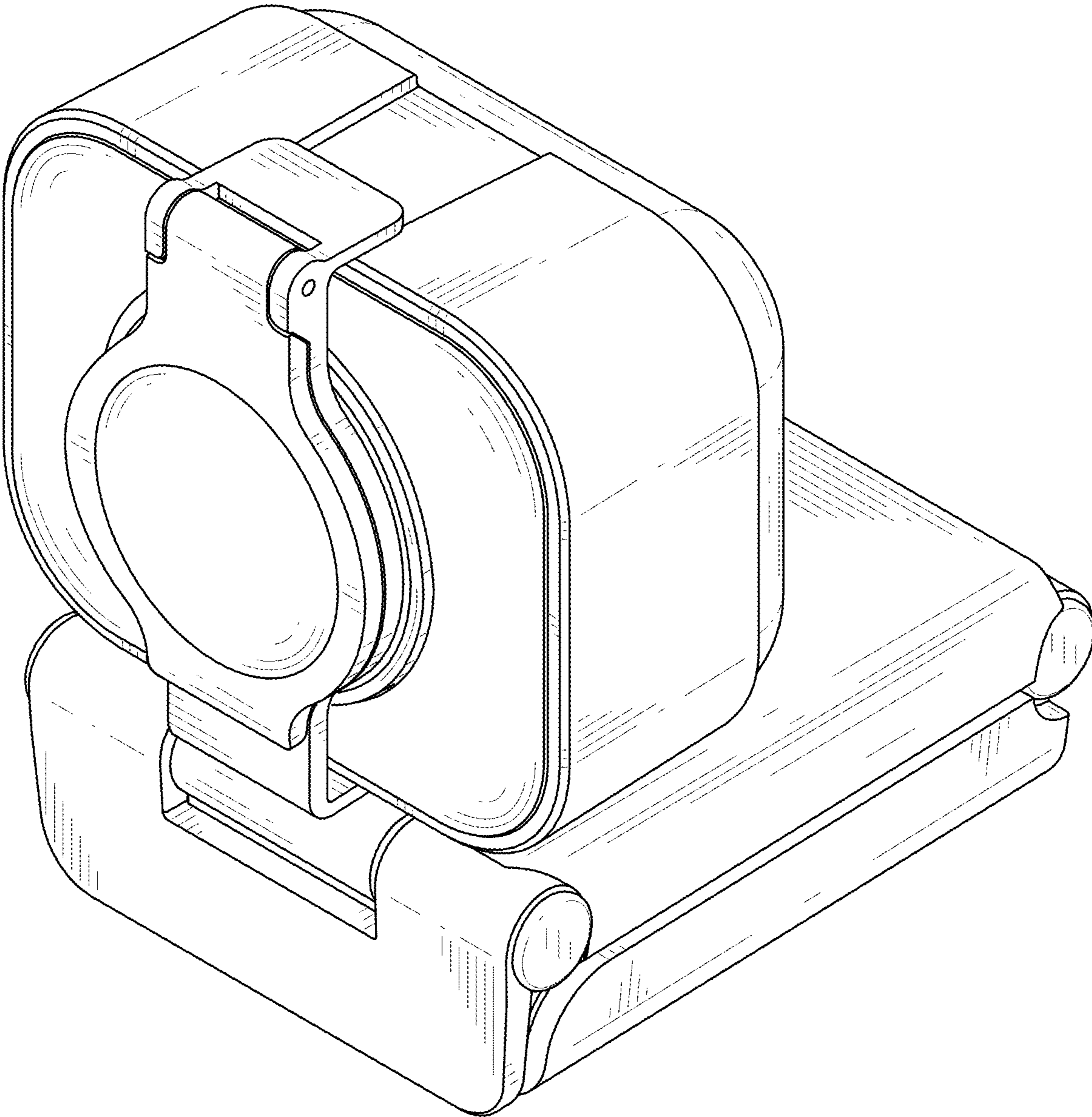


FIG. 1

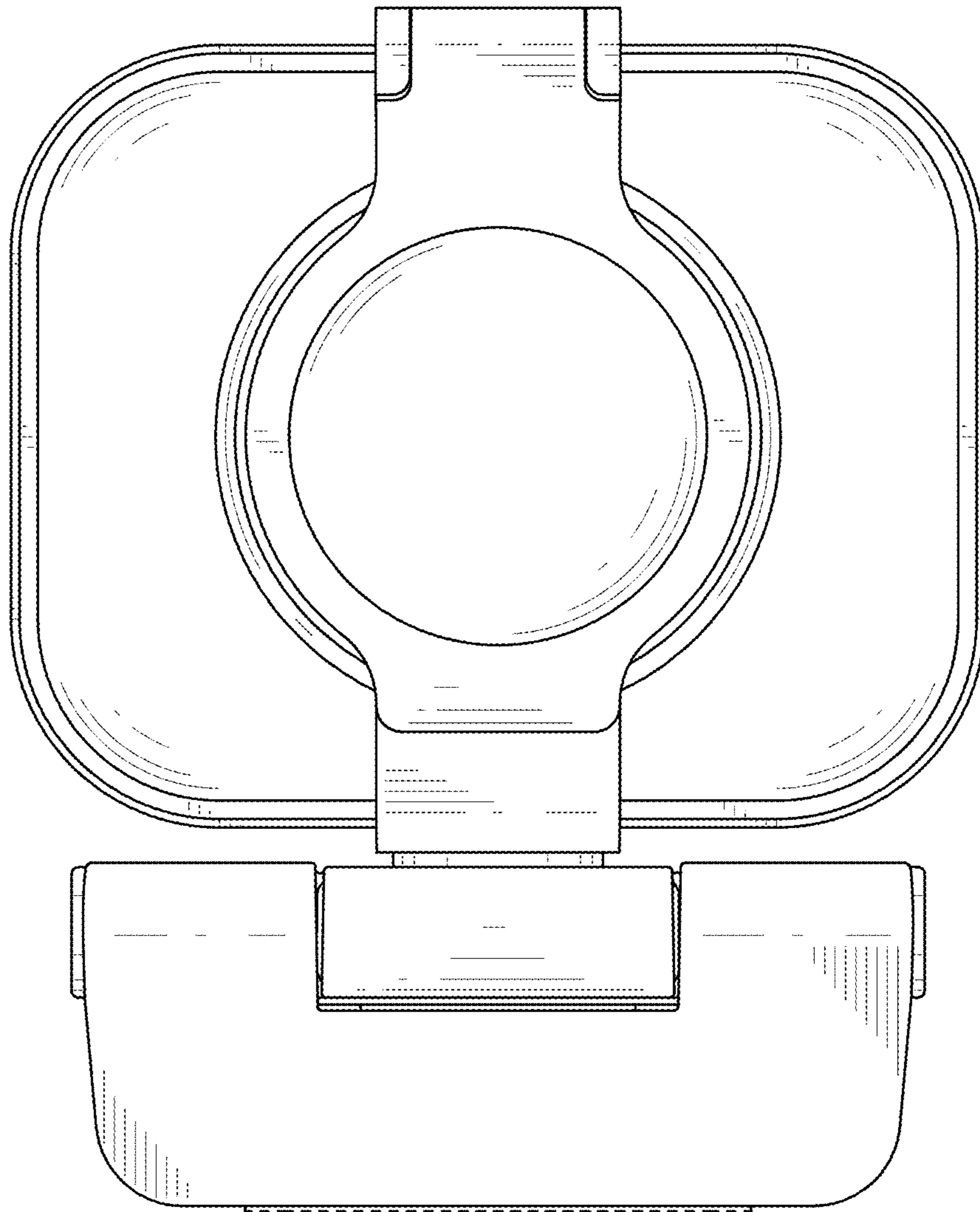


FIG. 2

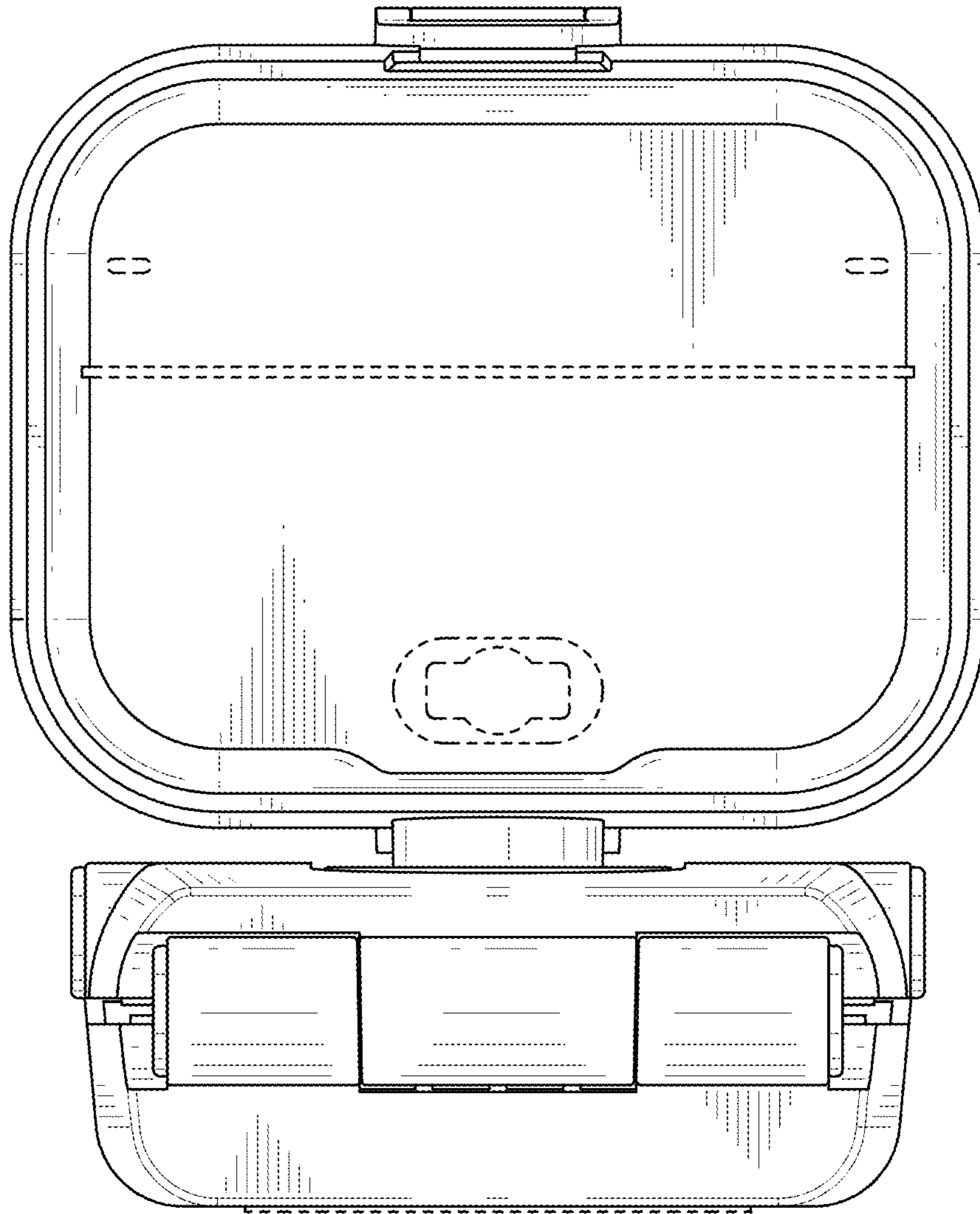


FIG. 3

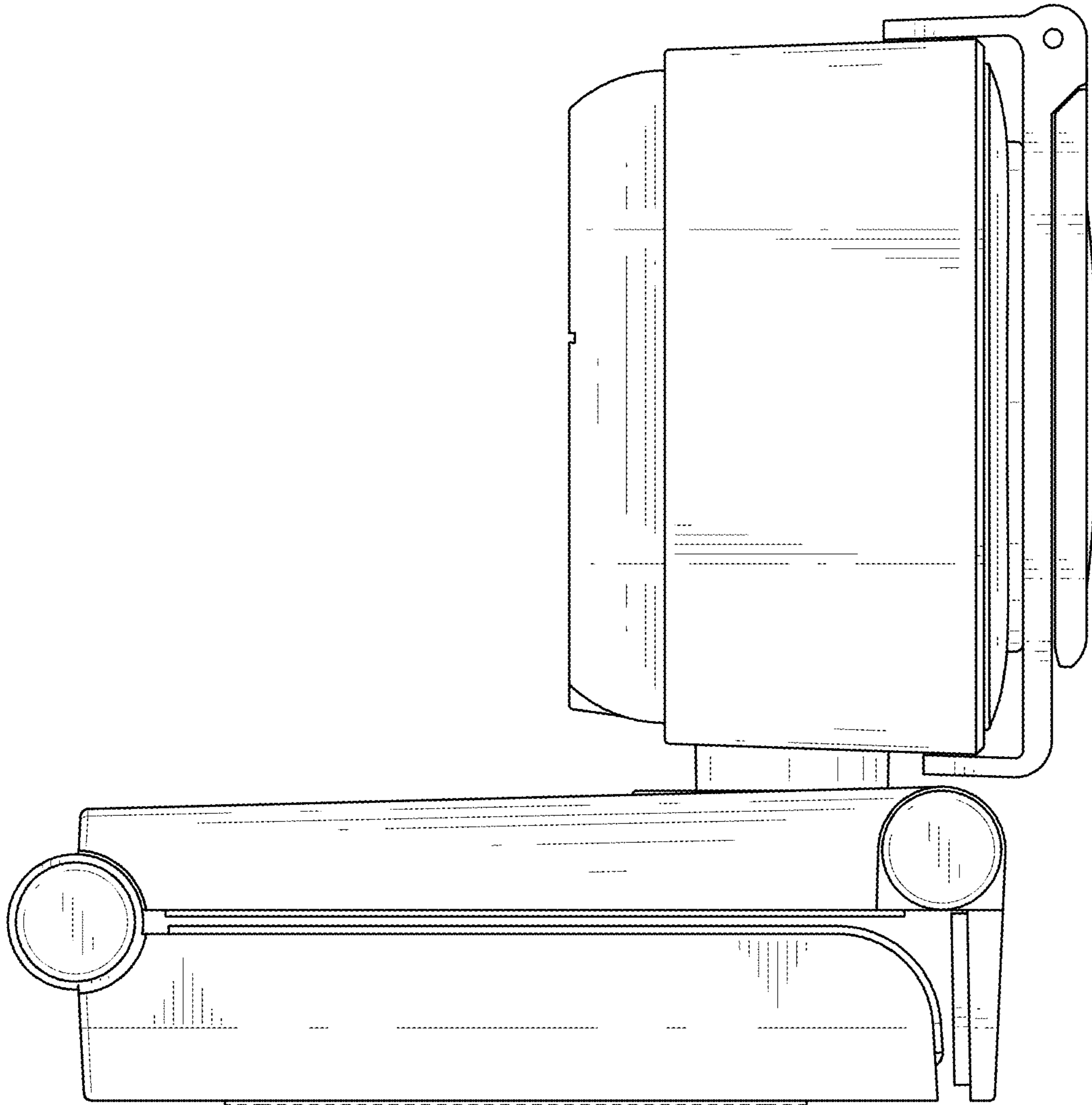


FIG. 4

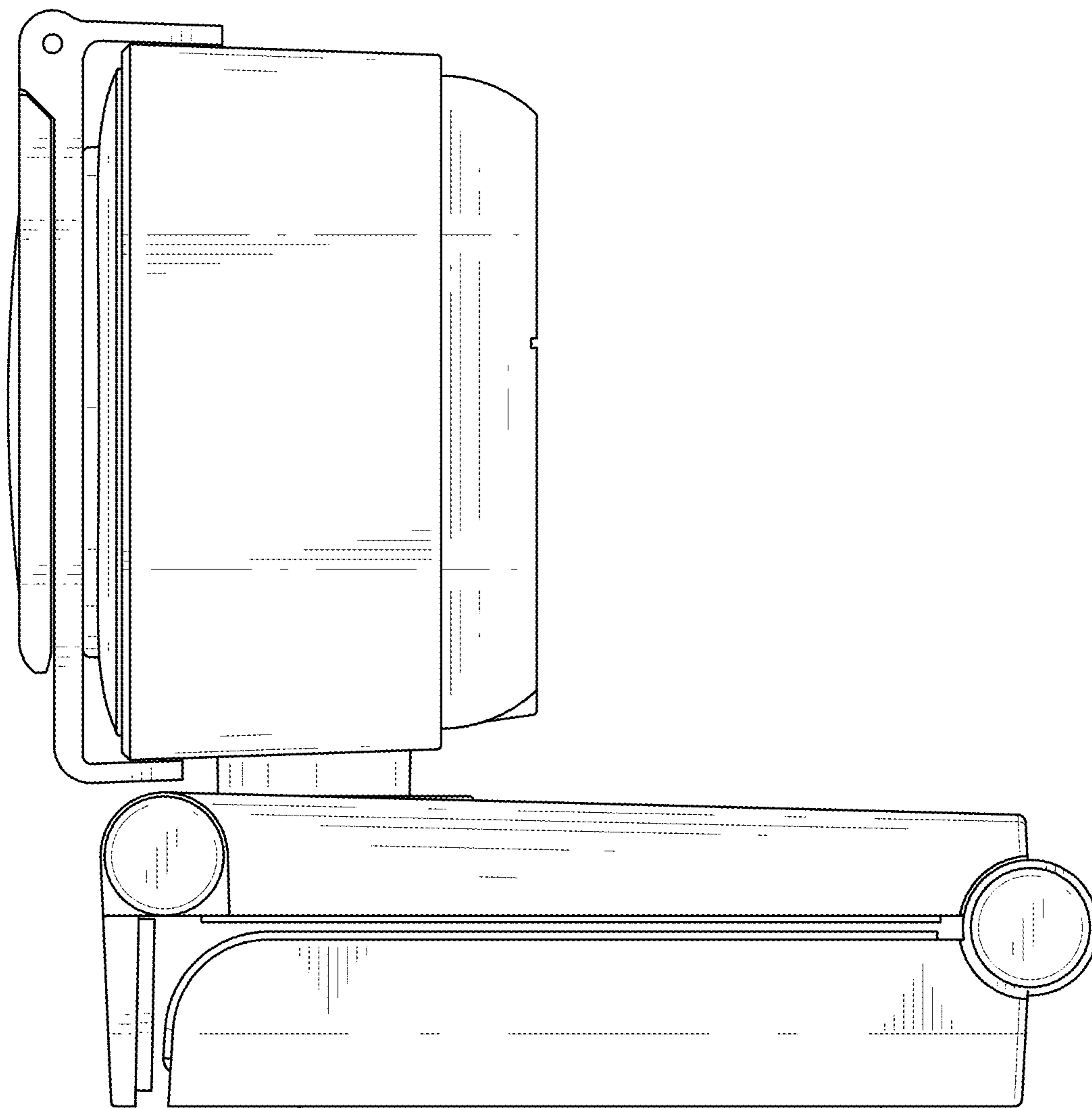


FIG. 5

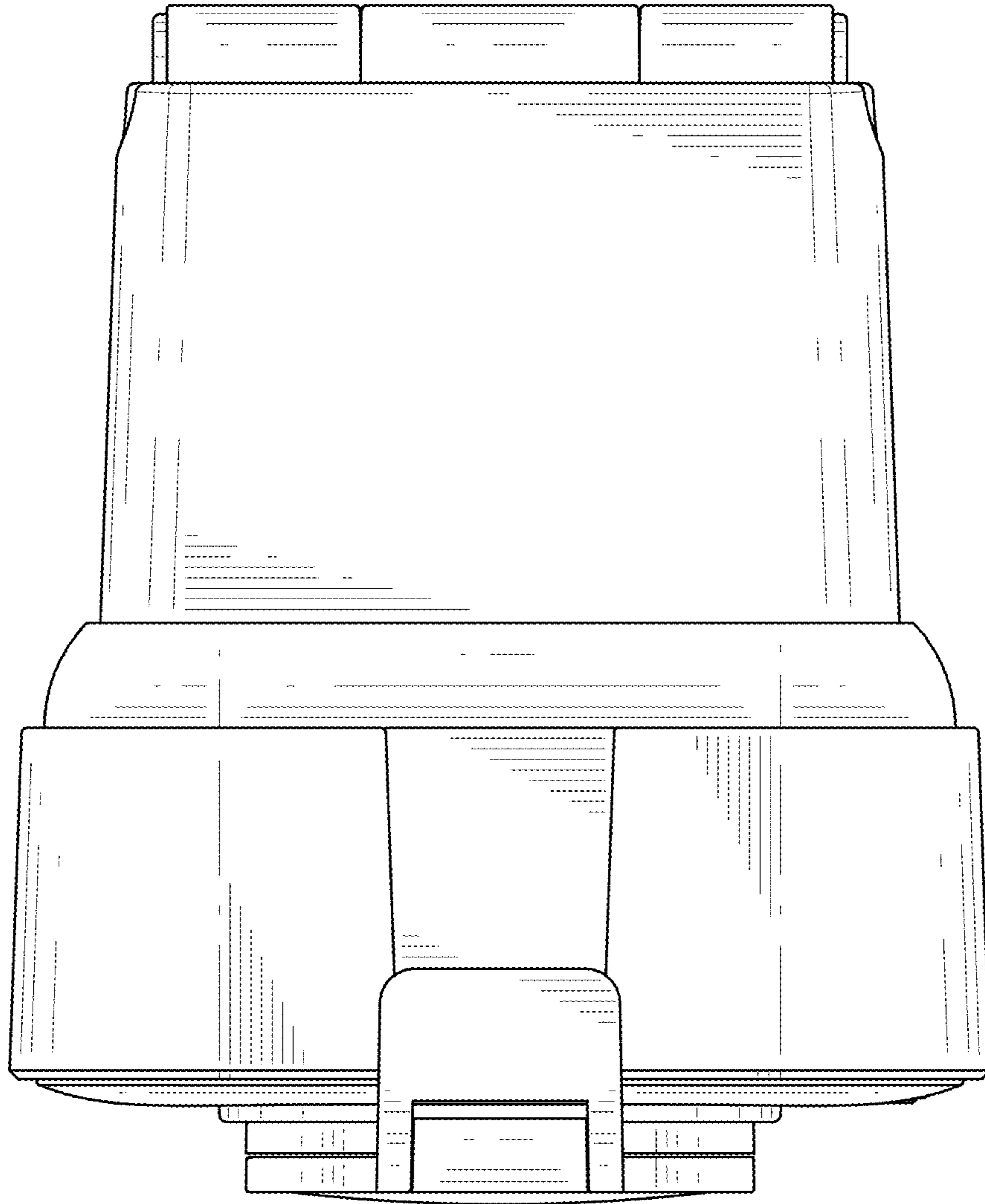


FIG. 6

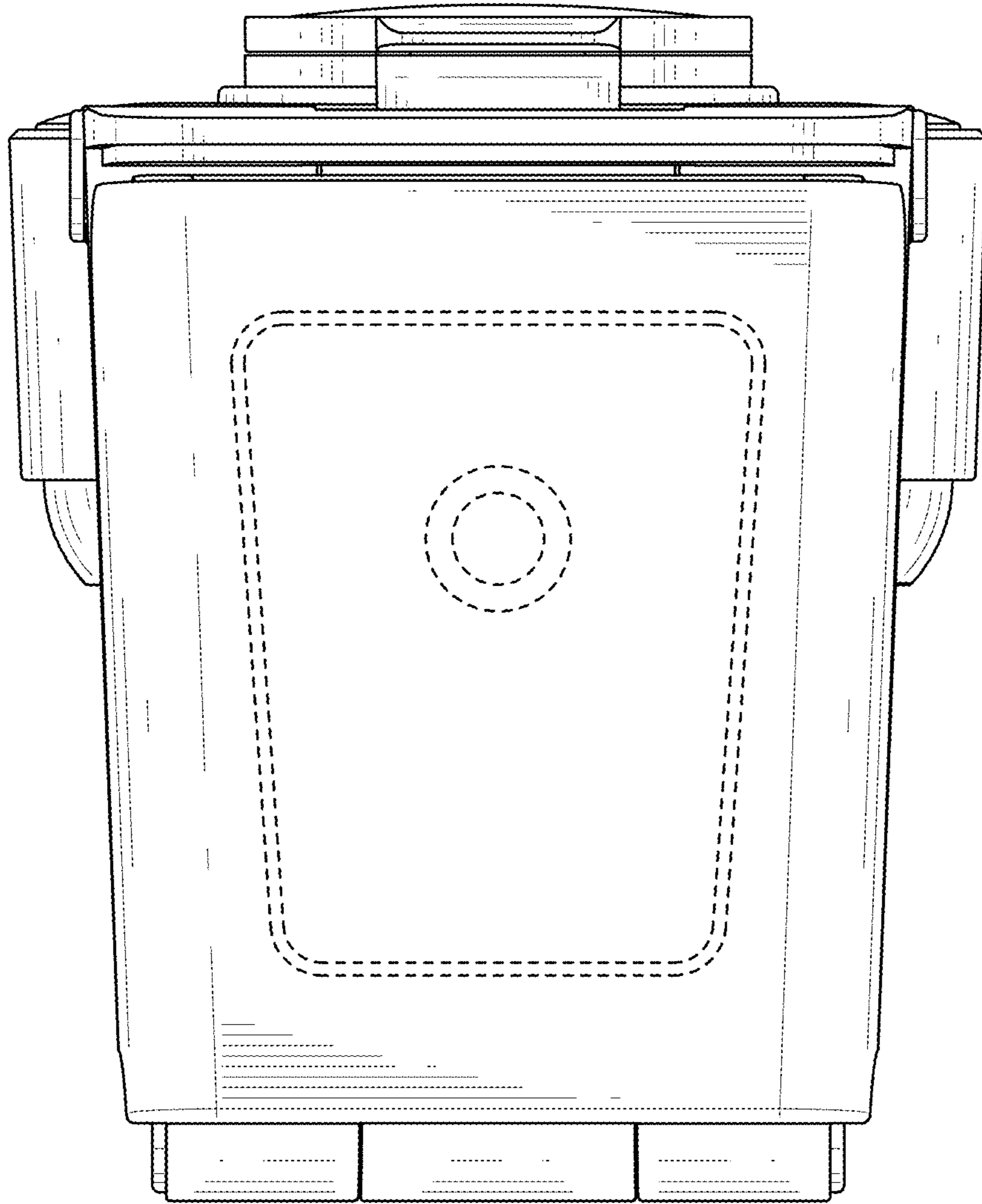


FIG. 7