



US00D924299S

(12) **United States Design Patent**  
**Gartrell et al.**

(10) **Patent No.:** **US D924,299 S**  
(45) **Date of Patent:** **\*\* Jul. 6, 2021**

(54) **VIDEO CONFERENCING SYSTEM**

(71) Applicant: **Logitech Europe S.A.**, Lausanne (CH)

(72) Inventors: **Andrew Julian Gartrell**, Walnut Creek, CA (US); **Alan Smith**, Vancouver, WA (US); **Ricardo Filipe Figueiroa Monteiro**, San Francisco, CA (US)

(73) Assignee: **Logitech Europe S.A.**, Lausanne (CH)

(\*\*) Term: **15 Years**

(21) Appl. No.: **29/722,749**

(22) Filed: **Jan. 31, 2020**

(51) **LOC (13) Cl.** ..... **16-01**

(52) **U.S. Cl.**  
USPC ..... **D16/202**

(58) **Field of Classification Search**  
USPC ..... D16/200, 202–203, 207, 208, 218, 219;  
D14/203.1, 204, 209.1, 496, 497;  
348/14.01–14.16, 373–376; 396/427,  
396/535, 539–541  
CPC ..... G03B 17/02; G03B 19/04; G03B 17/56;  
G03B 17/04; G03B 15/03; H04N 5/2251;  
H04N 5/2252; H04N 5/2253; H04N  
5/2254; H04N 2101/00; H04N 2007/145;  
H04N 7/141; H04N 7/142; H04N 7/147;  
H04N 7/148; H04N 7/15; H04N 7/152  
See application file for complete search history.

(56) **References Cited**

**U.S. PATENT DOCUMENTS**

D535,676 S 1/2007 Dayan  
D550,226 S 9/2007 Rogers  
7,500,794 B1 3/2009 Clark  
D600,730 S 9/2009 Su  
D629,031 S 12/2010 Su  
D631,497 S 1/2011 Han et al.

D641,388 S 7/2011 Shih et al.  
D651,229 S \* 12/2011 Tan ..... D16/202  
D654,942 S \* 2/2012 Khamsepoor ..... D16/202  
D665,439 S \* 8/2012 Khamsepoor ..... D16/202  
D674,430 S 1/2013 Inoue  
D680,144 S \* 4/2013 Tsai ..... D16/202  
D680,569 S 4/2013 Lee et al.  
D682,332 S \* 5/2013 Wang ..... D16/202  
8,593,567 B2 \* 11/2013 Xiao ..... H04N 5/2251  
348/373  
D709,117 S \* 7/2014 Gan ..... D16/202  
D716,360 S 10/2014 Schechter

(Continued)

*Primary Examiner* — Ramzi S Almatrahi

(74) *Attorney, Agent, or Firm* — Kilpatrick Townsend & Stockton LLP

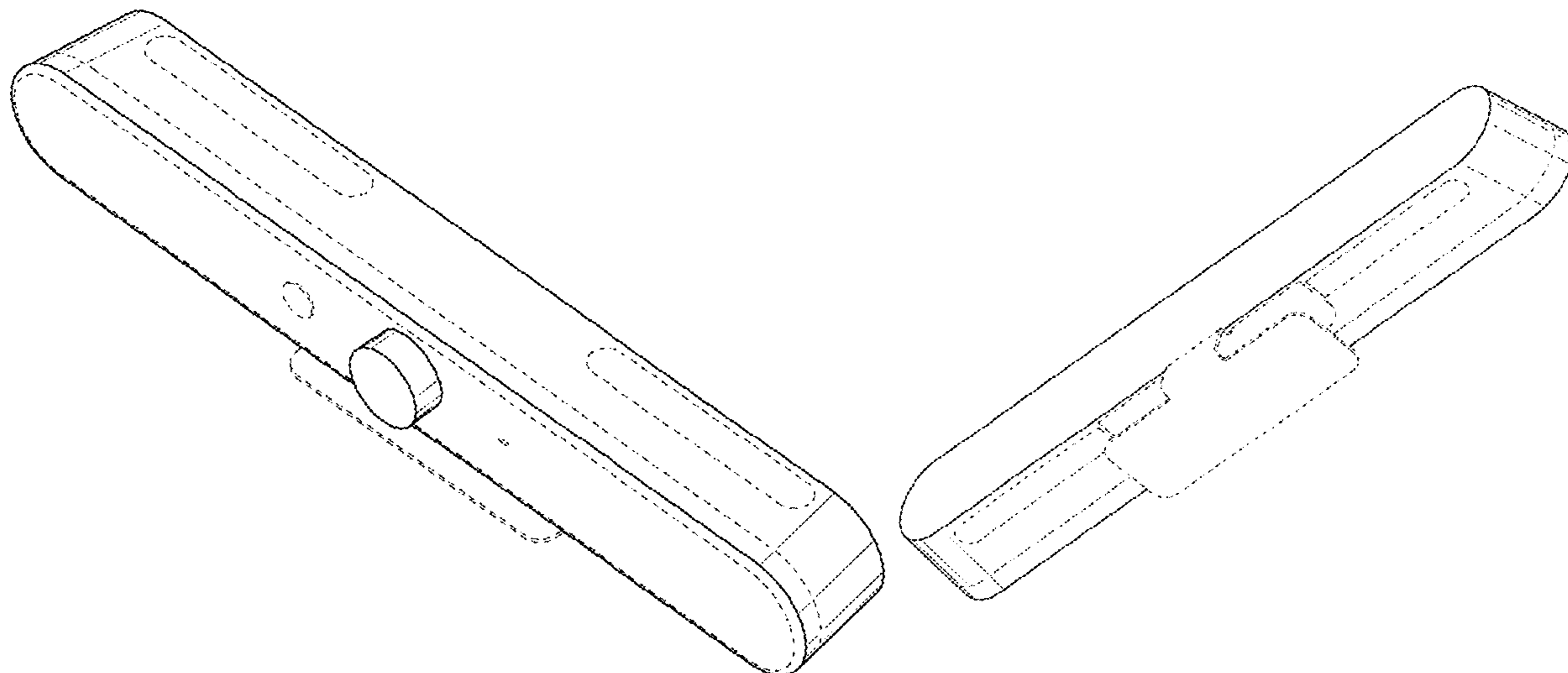
(57) **CLAIM**

The ornamental design for a video conferencing system, as shown and described.

**DESCRIPTION**

FIG. 1 is a top perspective view of a video conferencing system showing our new design;  
FIG. 2 is a bottom perspective view thereof;  
FIG. 3 is a bottom perspective view thereof, shown with the stand omitted for ease of illustration;  
FIG. 4 is a top plan view thereof;  
FIG. 5 is a bottom plan view thereof, shown with the stand;  
FIG. 6 is a front elevational view thereof;  
FIG. 7 is a rear elevational view thereof;  
FIG. 8 is a right side elevational view thereof; and,  
FIG. 9 is a left side elevational view thereof.  
The broken lines depict portions of the video conferencing system in which the design is embodied that form no part of the claimed design.  
Additionally, the dash-dot-dot lines shown in FIG. 3 denote the boundary of the claim and form no part of the claimed design.

**1 Claim, 6 Drawing Sheets**



(56)

**References Cited**

U.S. PATENT DOCUMENTS

D750,681	S	3/2016	Takami et al.	
D775,679	S	1/2017	Klein	
D800,201	S *	10/2017	Song .....	D16/202
D849,086	S	5/2019	Russo et al.	
D849,089	S *	5/2019	Lu .....	D16/202
D870,790	S *	12/2019	Depay .....	D16/202
2012/0236195	A1	9/2012	Chang	

\* cited by examiner

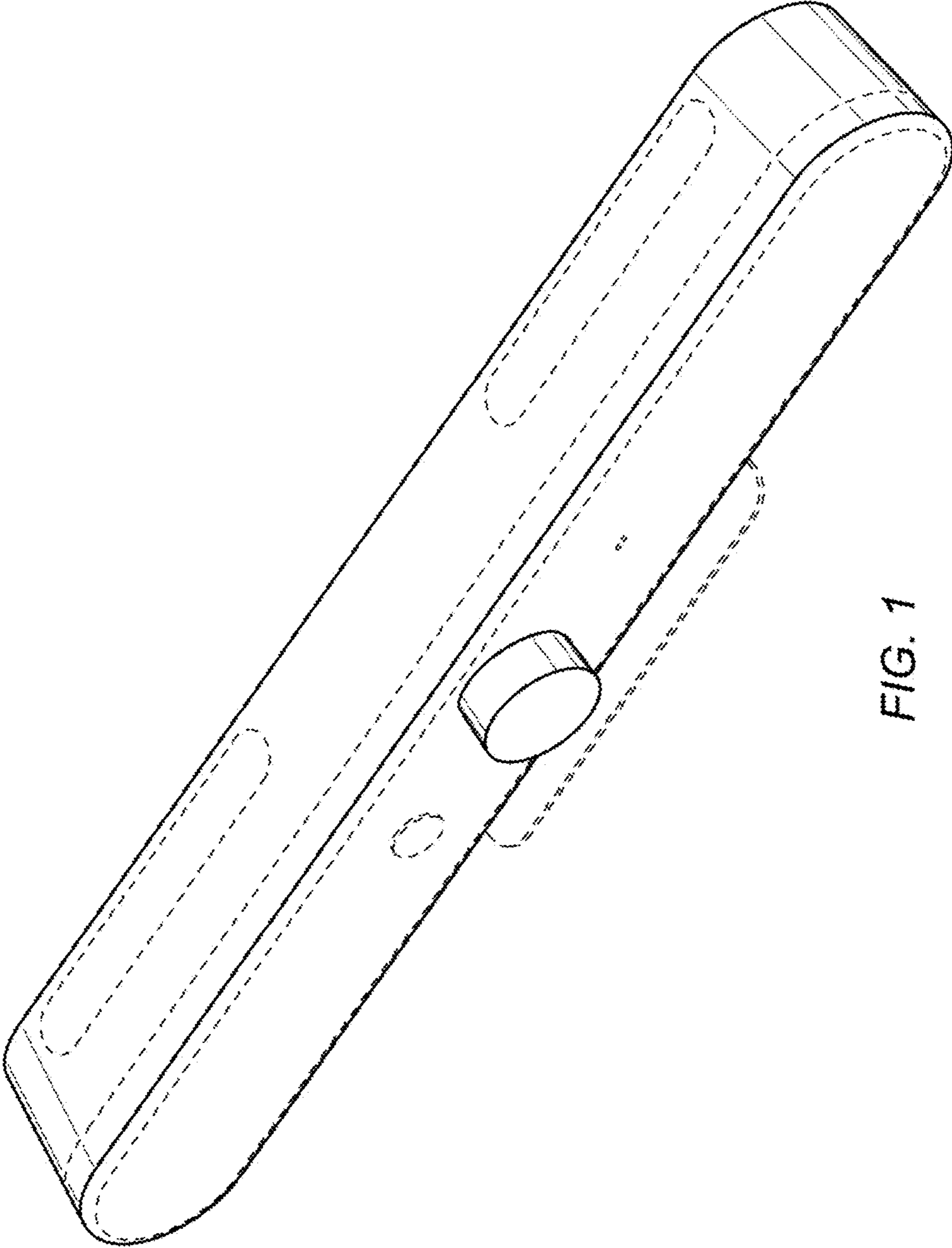


FIG. 1

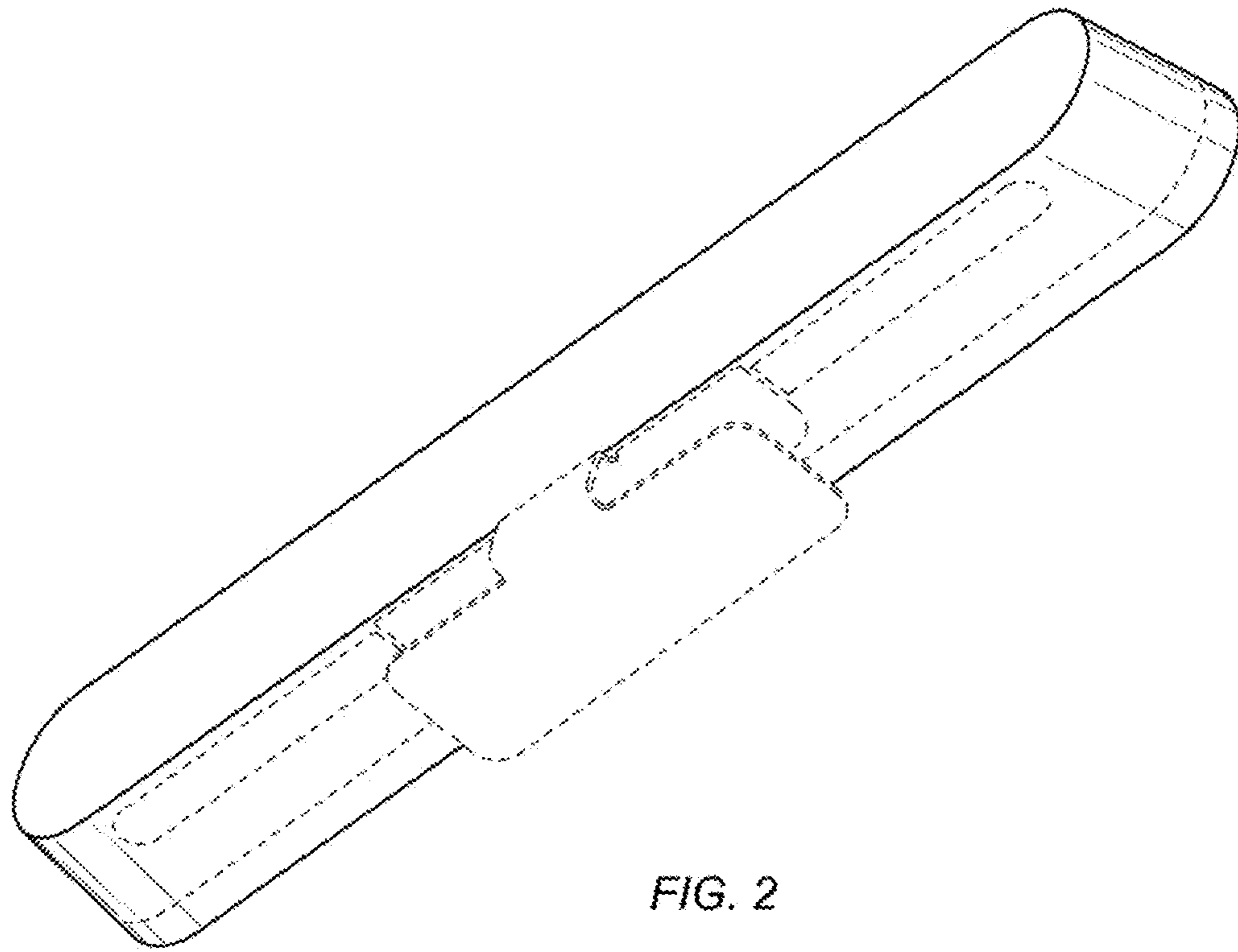


FIG. 2

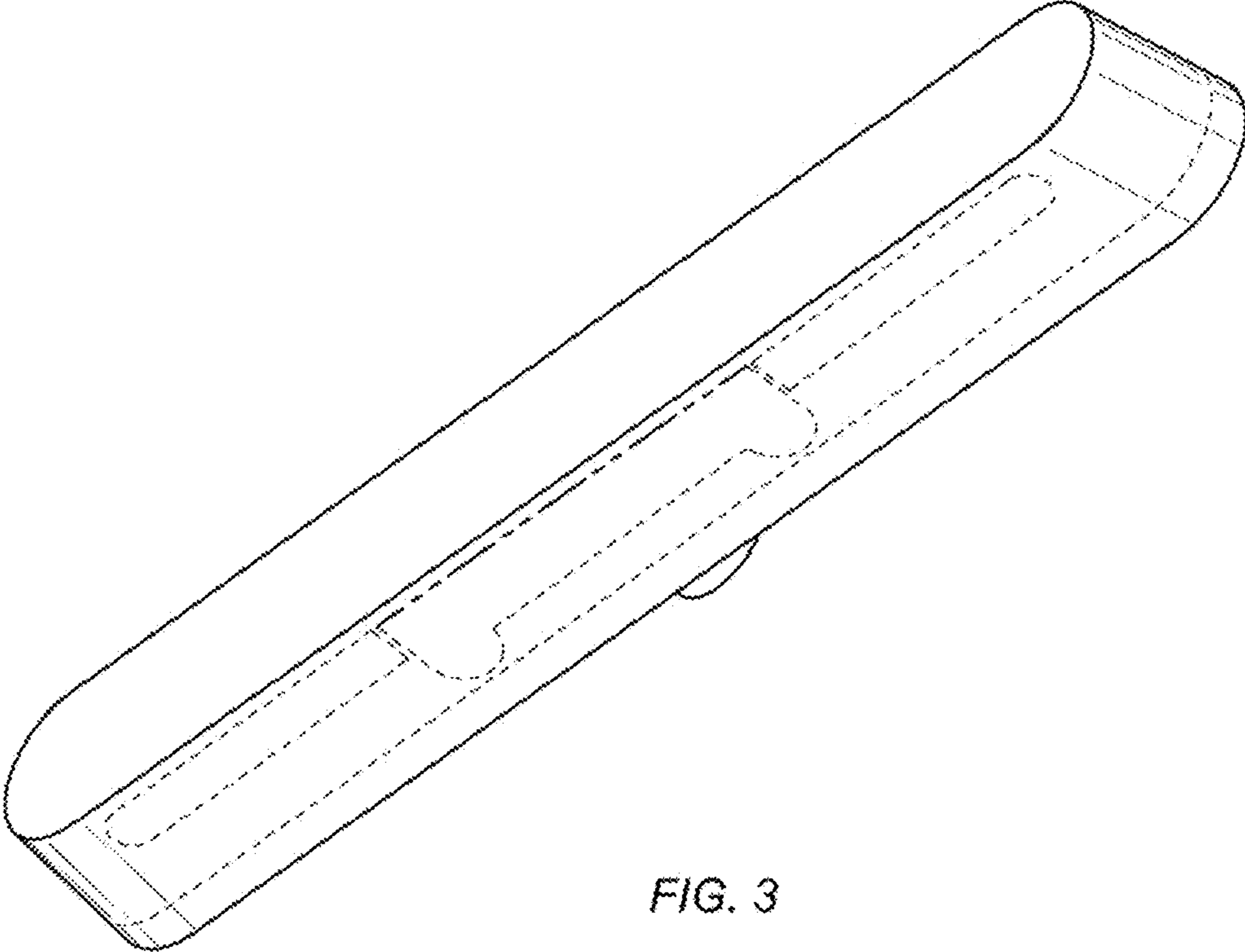


FIG. 3

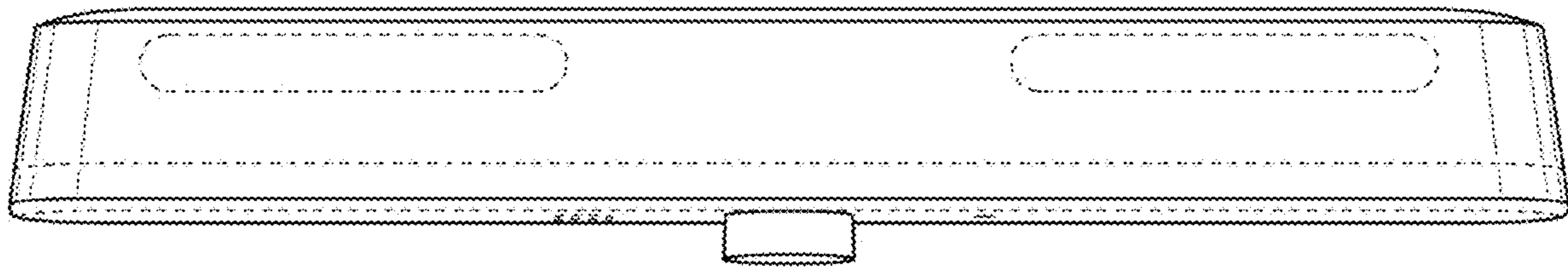


FIG. 4

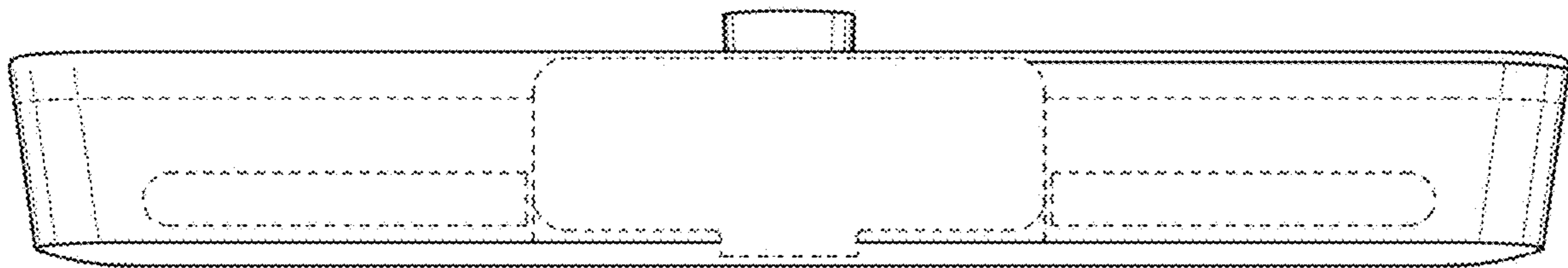


FIG. 5

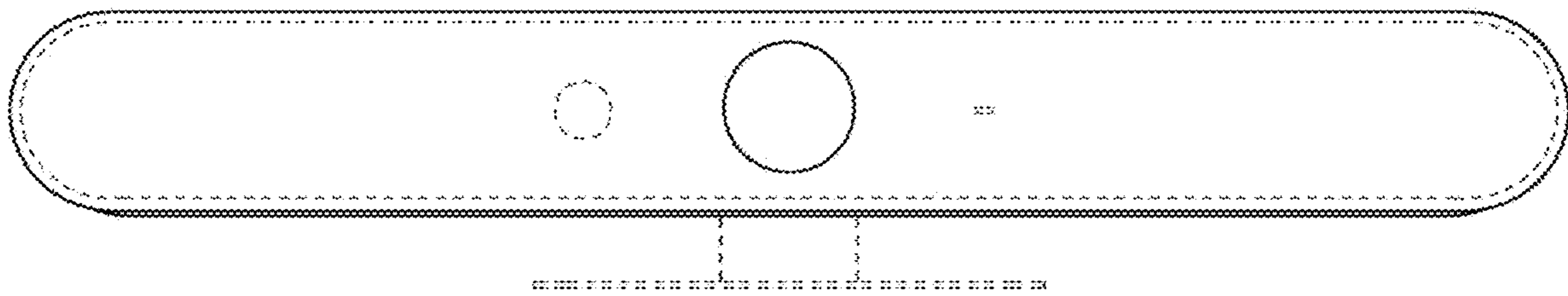


FIG. 6

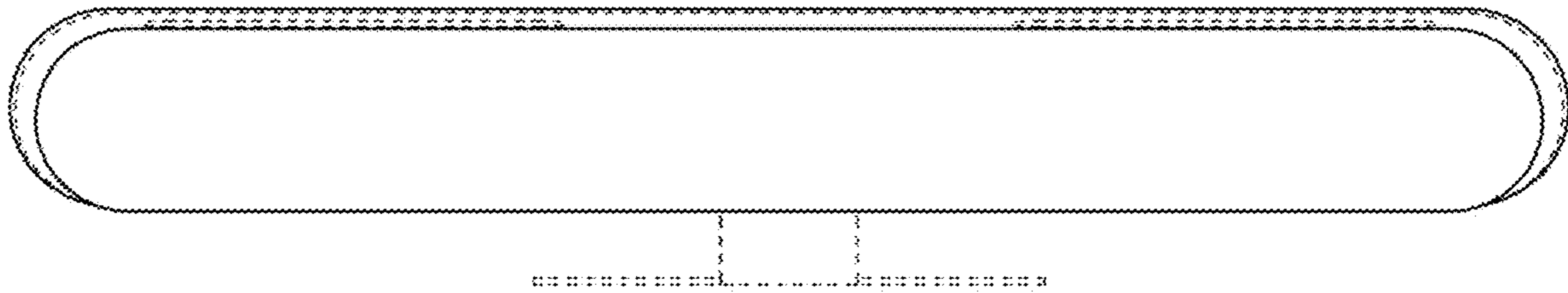


FIG. 7

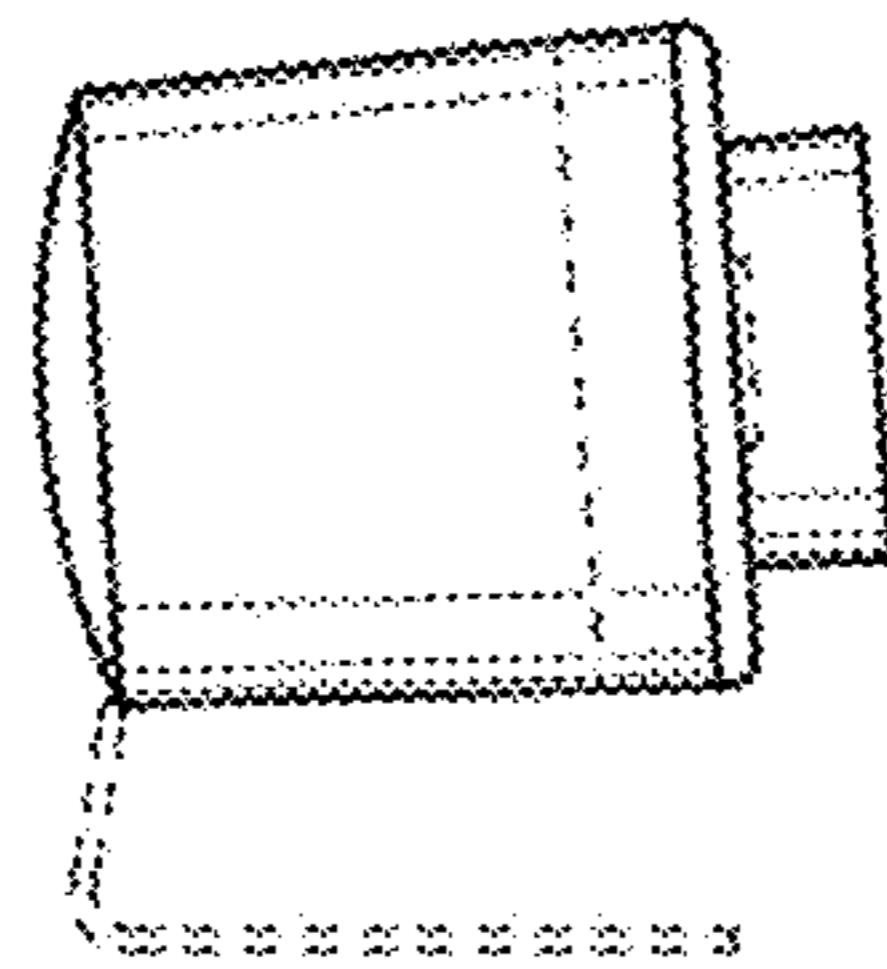


FIG. 8

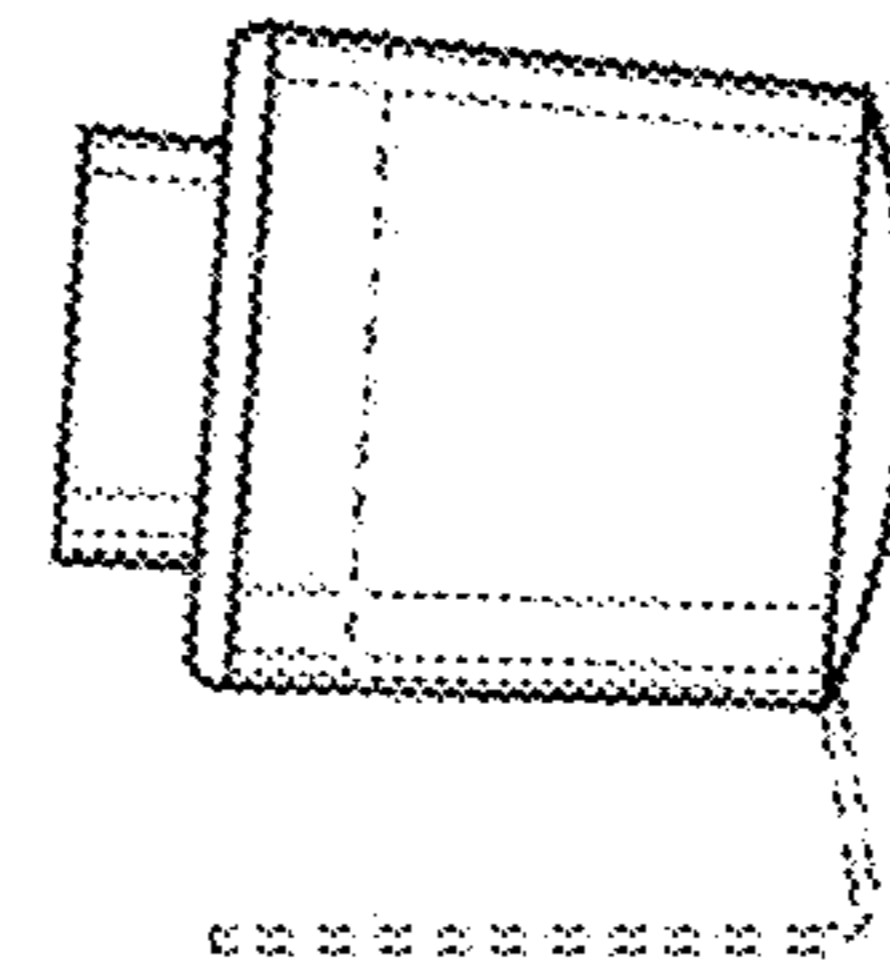


FIG. 9