



US00D924297S

(12) **United States Design Patent**
Imai

(10) **Patent No.:** **US D924,297 S**

(45) **Date of Patent:** **** Jul. 6, 2021**

(54) **DIGITAL CAMERA**

(71) Applicant: **FUJIFILM Corporation**, Tokyo (JP)

(72) Inventor: **Masazumi Imai**, Saitama (JP)

(73) Assignee: **FUJIFILM Corporation**, Tokyo (JP)

(**) Term: **15 Years**

(21) Appl. No.: **29/698,145**

(22) Filed: **Jul. 15, 2019**

(30) **Foreign Application Priority Data**

Feb. 6, 2019 (JP) 2019-002391

(51) **LOC (13) Cl.** **16-01**

(52) **U.S. Cl.**
USPC **D16/202**

(58) **Field of Classification Search**
USPC D16/200, 202-208, 218, 219, 242;
348/164, 373-376; 396/448, 535,
396/539-541

CPC G03B 17/02; G03B 19/04; G03B 17/56;
G03B 17/04; G03B 15/03; H04N 5/2251;
H04N 5/2252; H04N 5/2253; H04N
5/2254; H04N 7/181; H04N 7/183; H04N
7/18; G08B 13/1963; G08B 13/19619;
G08B 13/19632; F16M 11/04; F16M
13/00

See application file for complete search history.

(56) **References Cited**

U.S. PATENT DOCUMENTS

D441,386 S * 5/2001 Yamazaki D16/203
D657,409 S * 4/2012 Miyashita D16/203

D674,832 S * 1/2013 Zhang D16/202
D707,743 S * 6/2014 Nakashima D16/202
D739,452 S * 9/2015 Adams D16/208
D743,472 S * 11/2015 Tanifuji D16/219
D754,230 S * 4/2016 Mori D16/200
D764,559 S * 8/2016 Luo D16/202
D789,999 S * 6/2017 Yakabe D16/200
D808,163 S * 1/2018 Song D3/269
D829,260 S * 9/2018 Fujita D16/218
D880,567 S * 4/2020 Zhang D16/237

* cited by examiner

Primary Examiner — Ramzi Almatrahi

(74) *Attorney, Agent, or Firm* — Studebaker & Brackett
PC

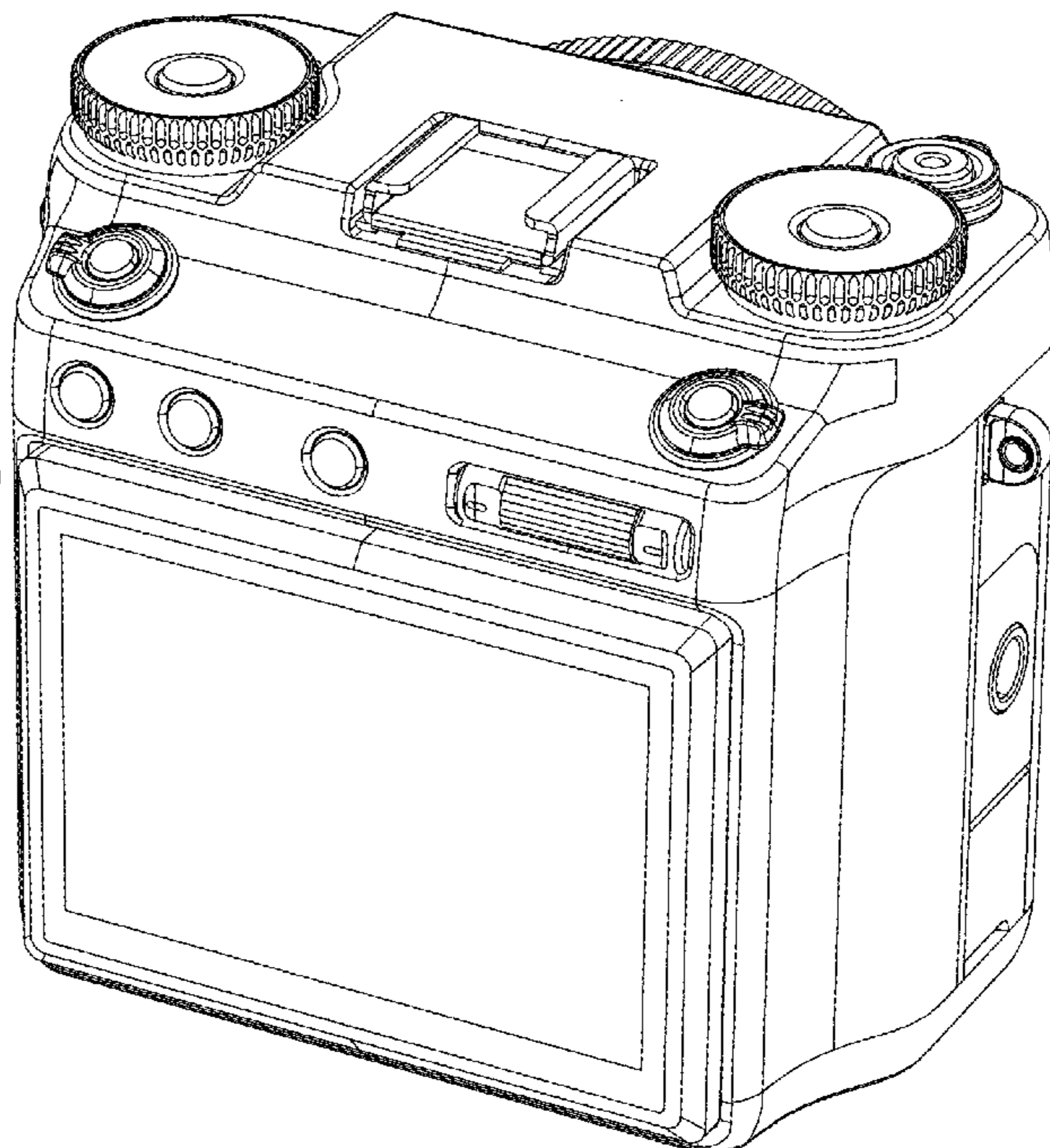
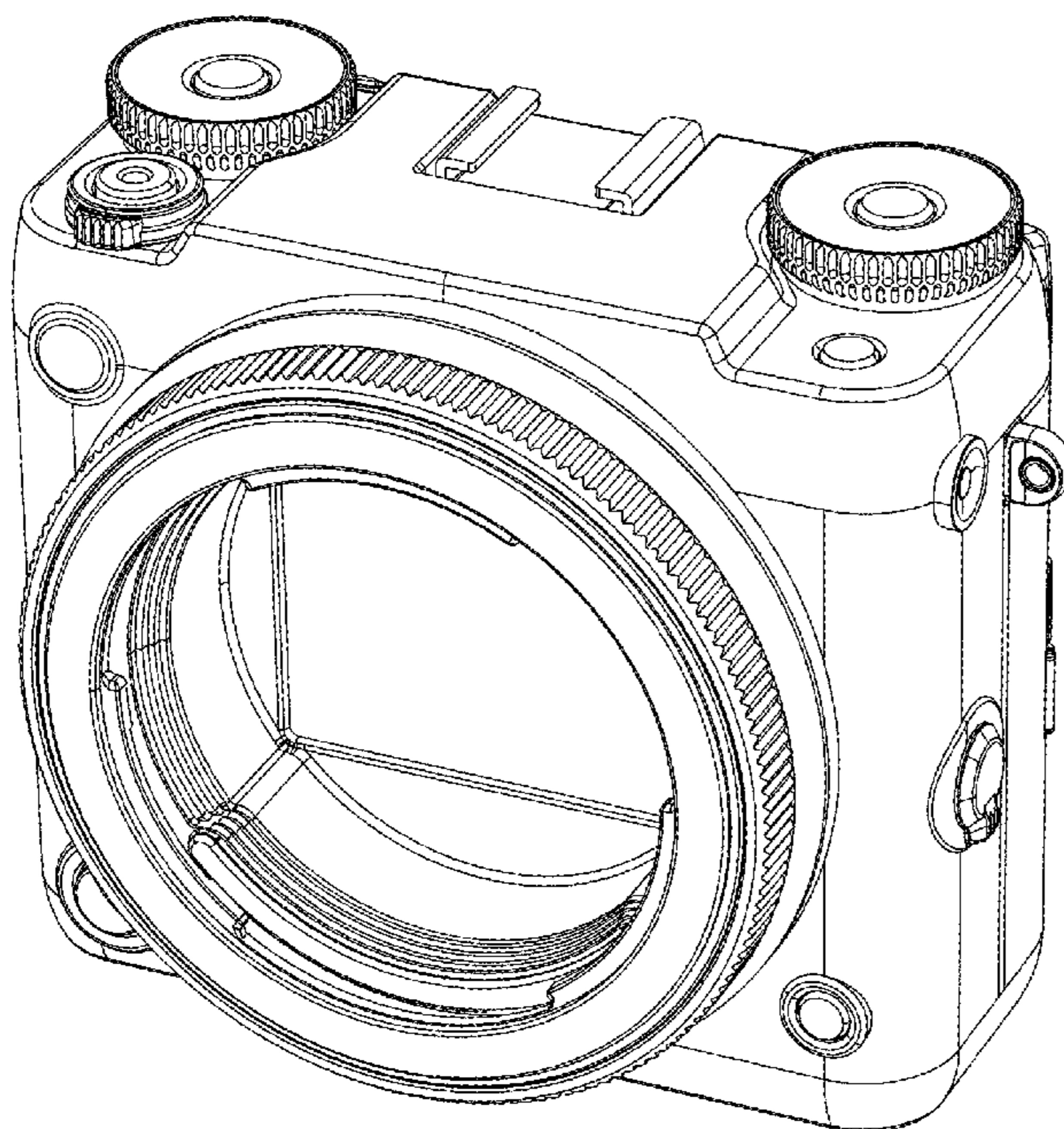
(57) **CLAIM**

The ornamental design for a digital camera, as shown and described.

DESCRIPTION

FIG. 1 is a top, front and right side perspective view of a digital camera showing my new design;
FIG. 2 is a top, rear and left side perspective view thereof;
FIG. 3 is a front view thereof;
FIG. 4 is a rear view thereof;
FIG. 5 is a left side view thereof;
FIG. 6 is a right side view thereof;
FIG. 7 is a top view thereof; and,
FIG. 8 is a bottom view thereof.
The broken lines depict portions of the digital camera in which the design is embodied that form no part of the claimed design.

1 Claim, 8 Drawing Sheets



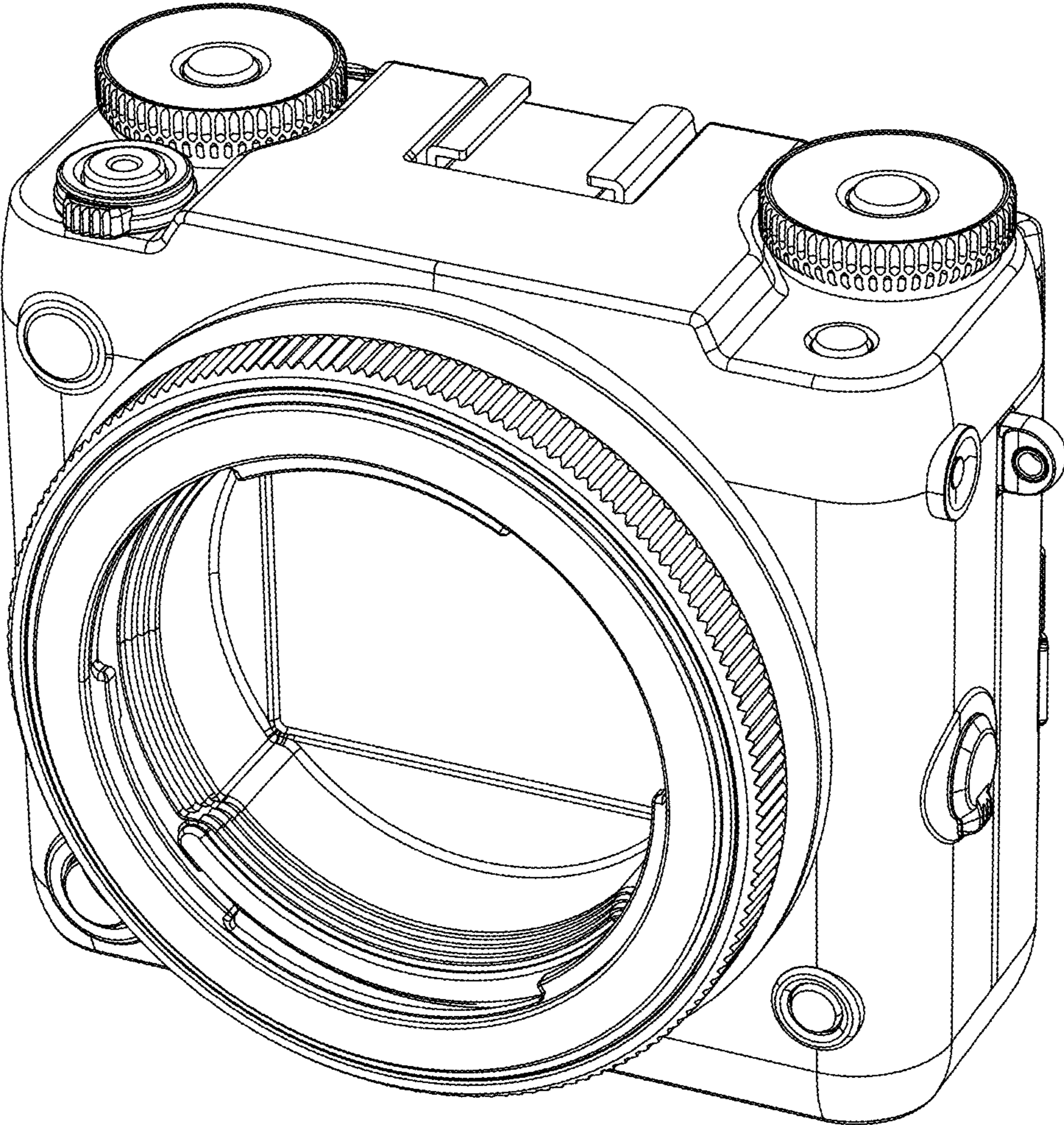


FIG. 1

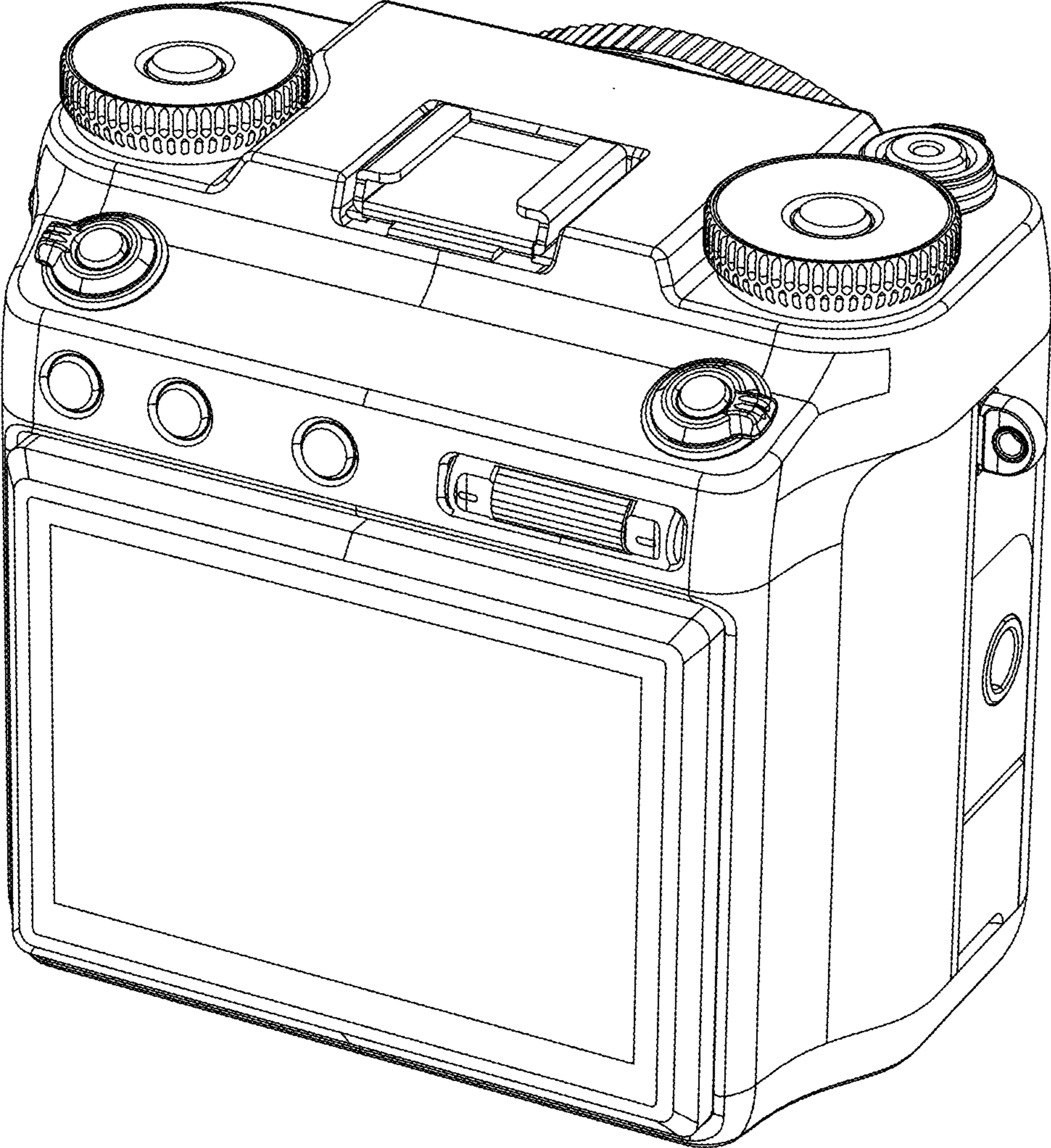


FIG. 2

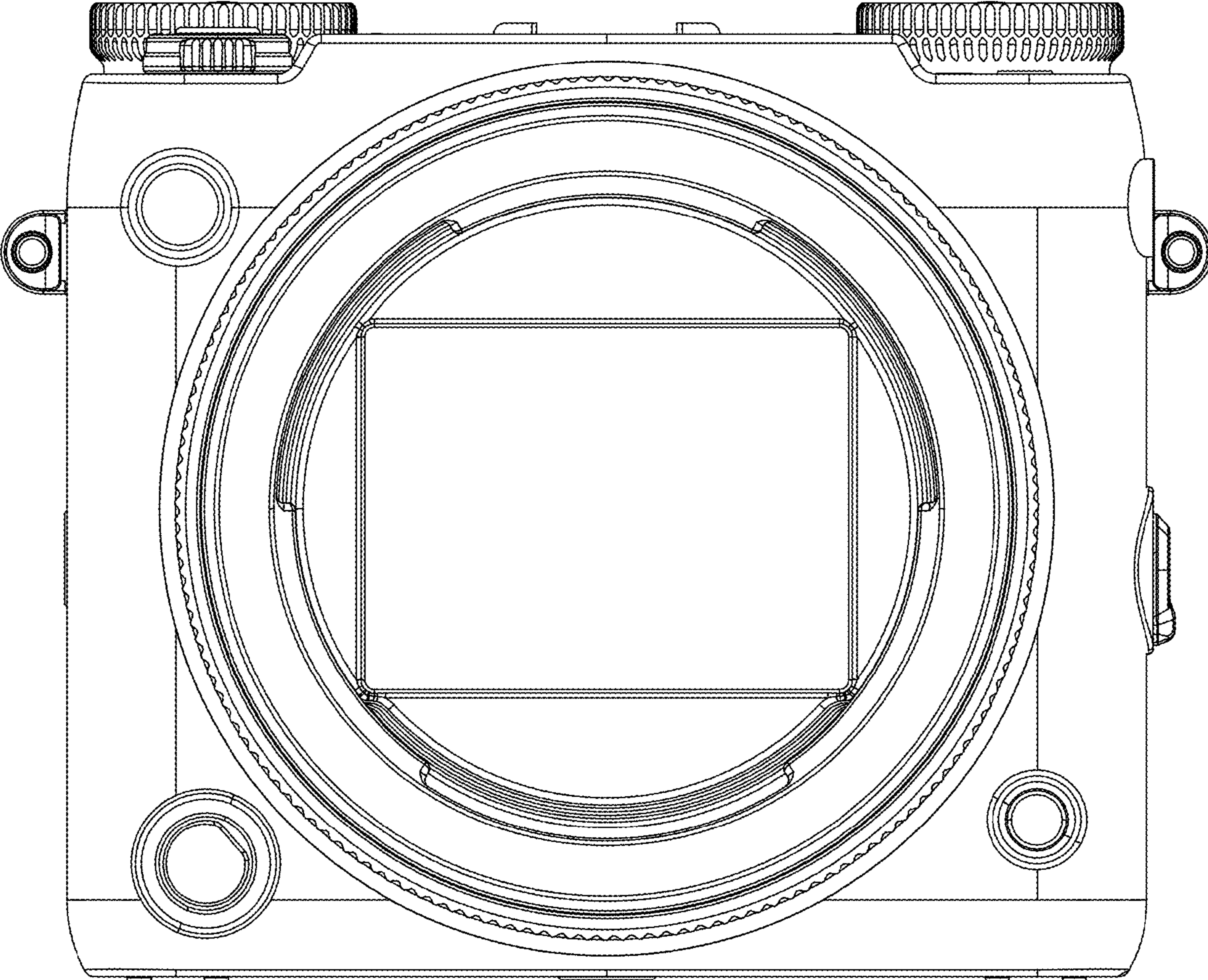


FIG. 3

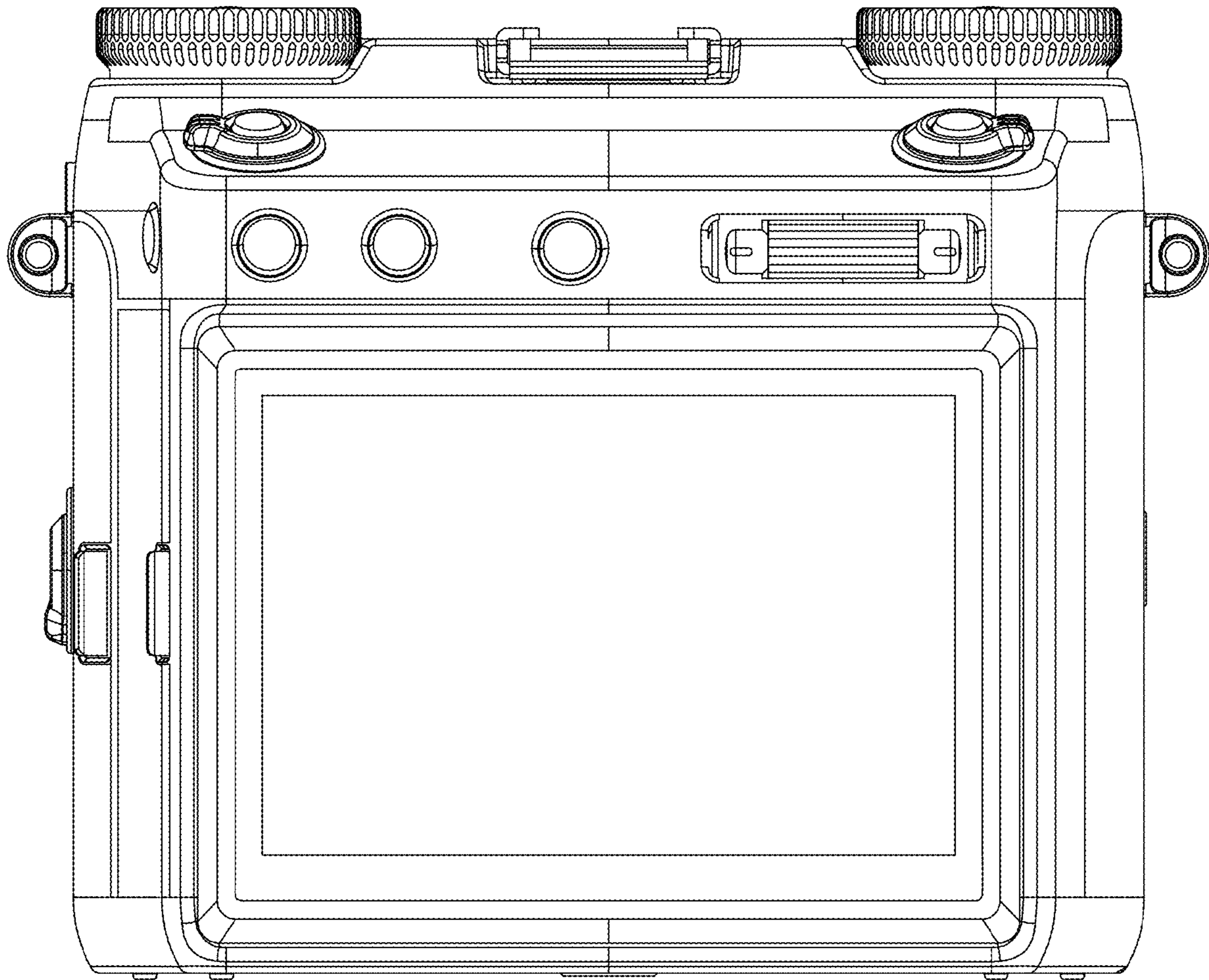


FIG. 4

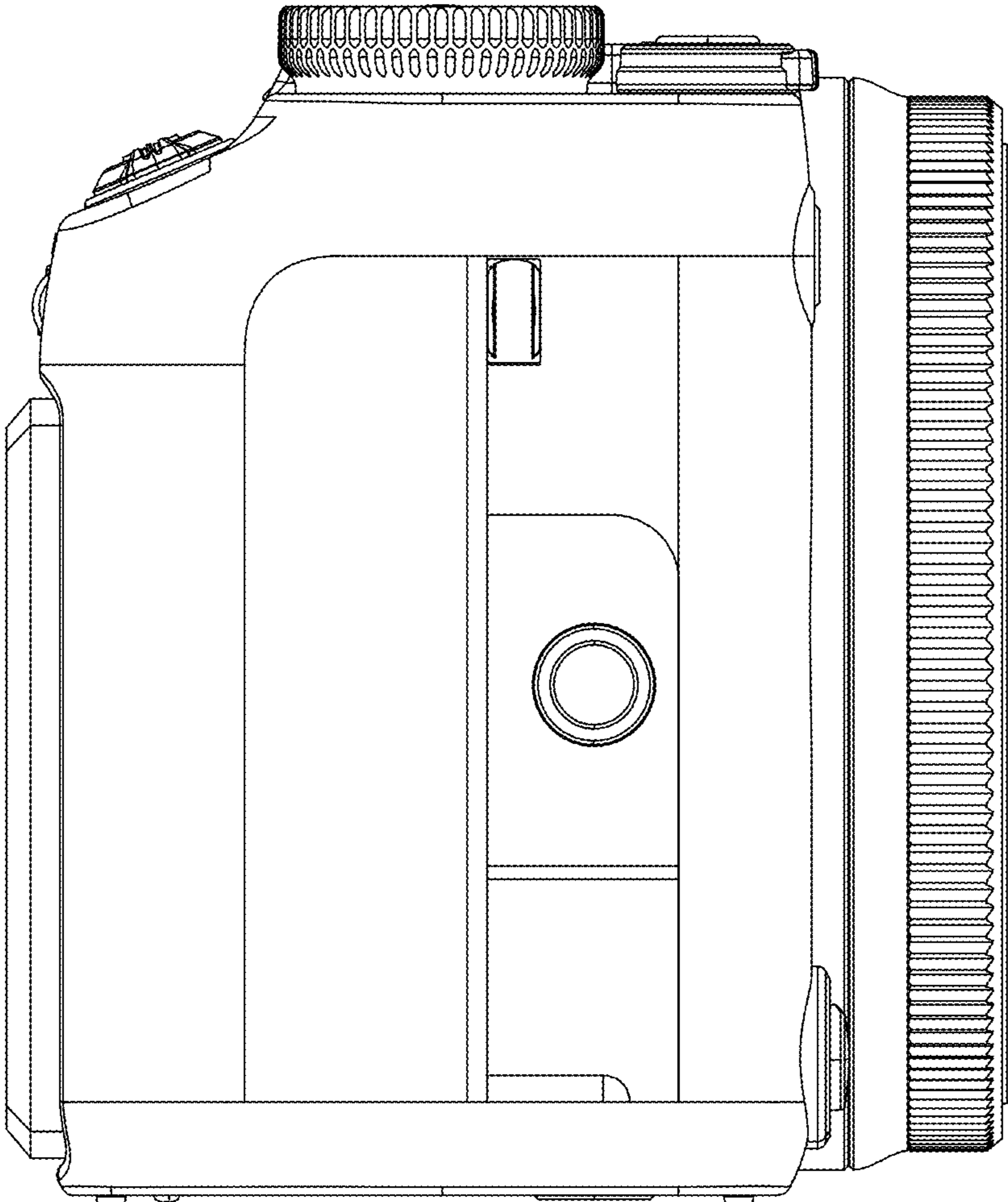


FIG. 5

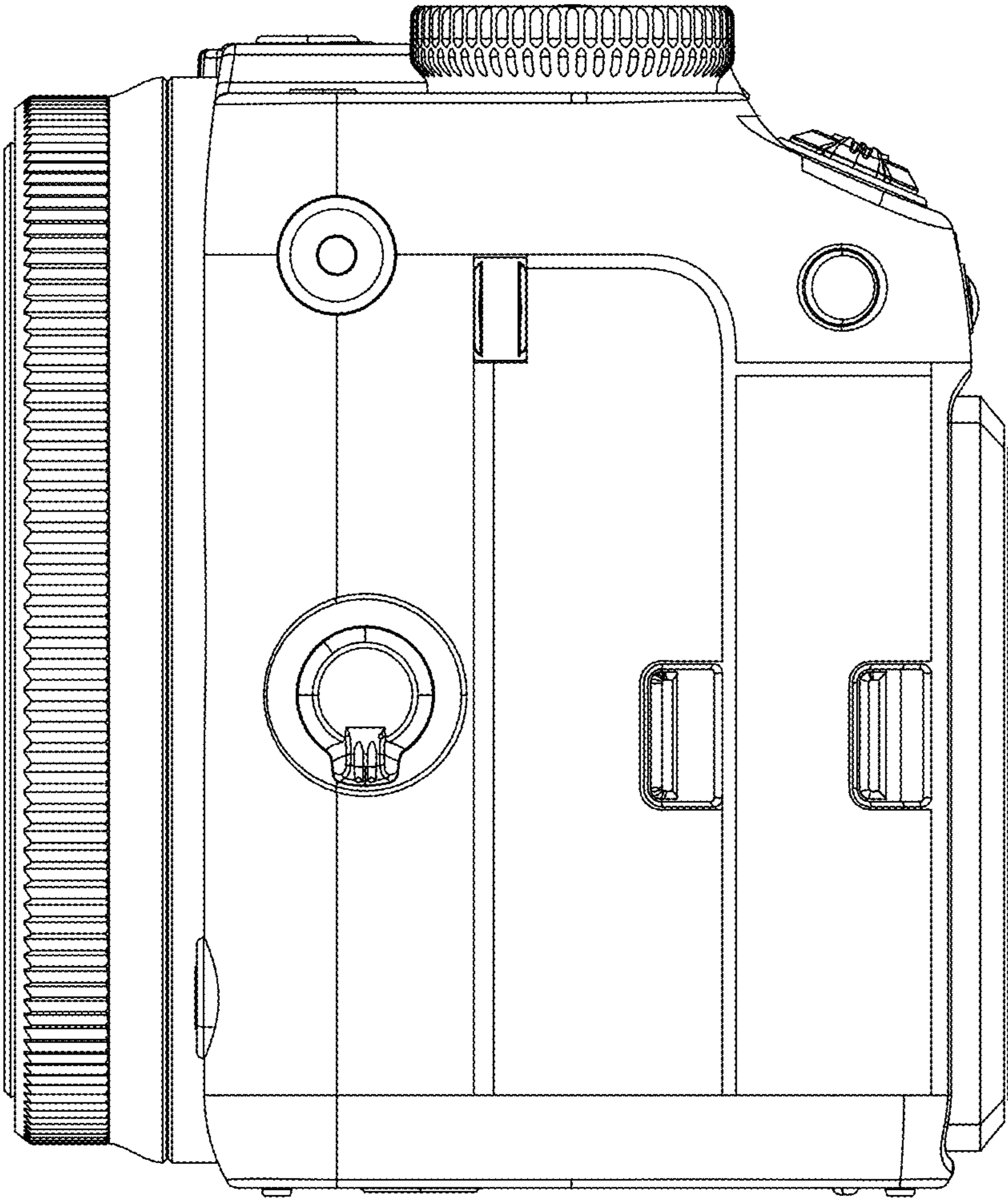


FIG. 6

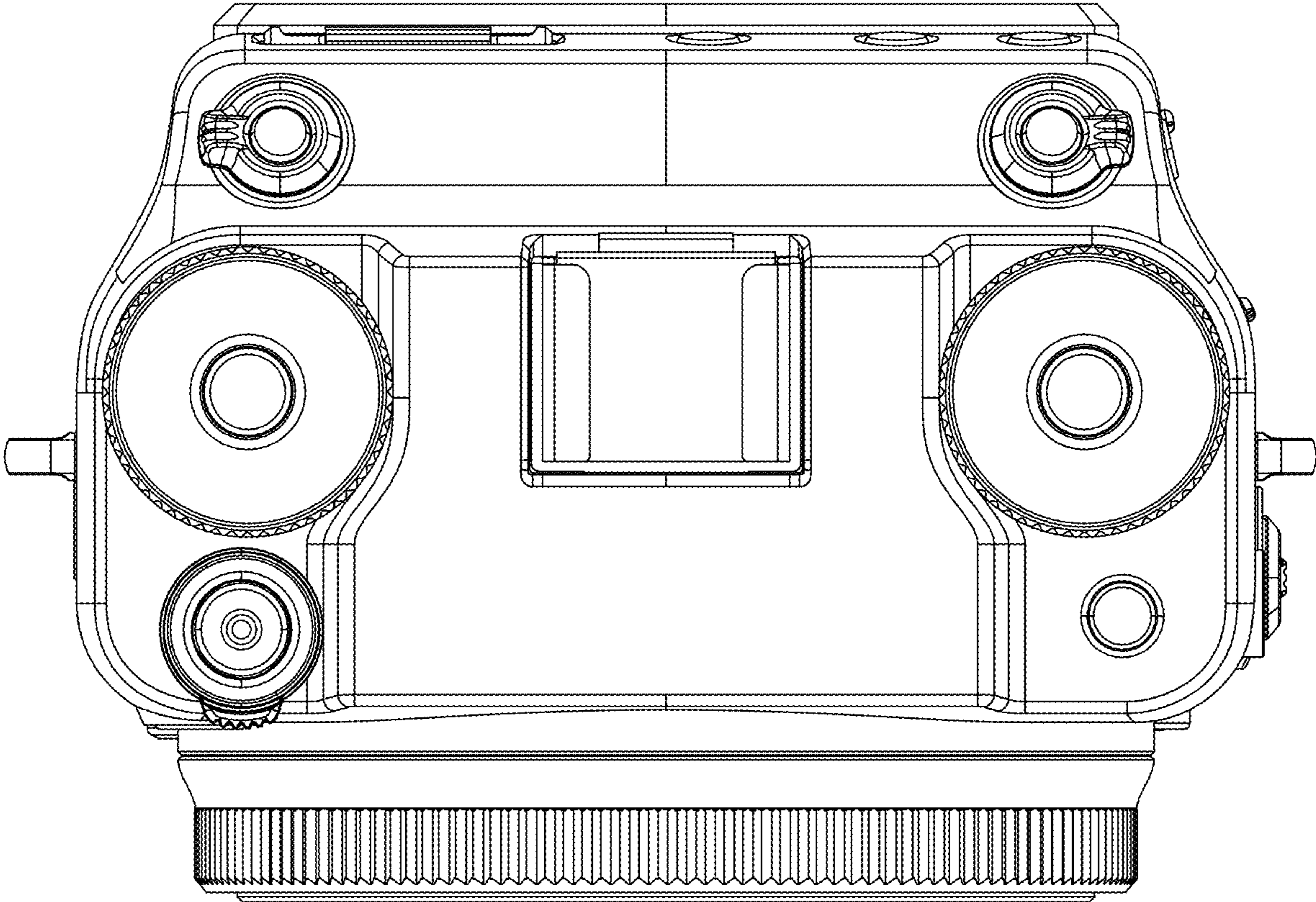


FIG. 7

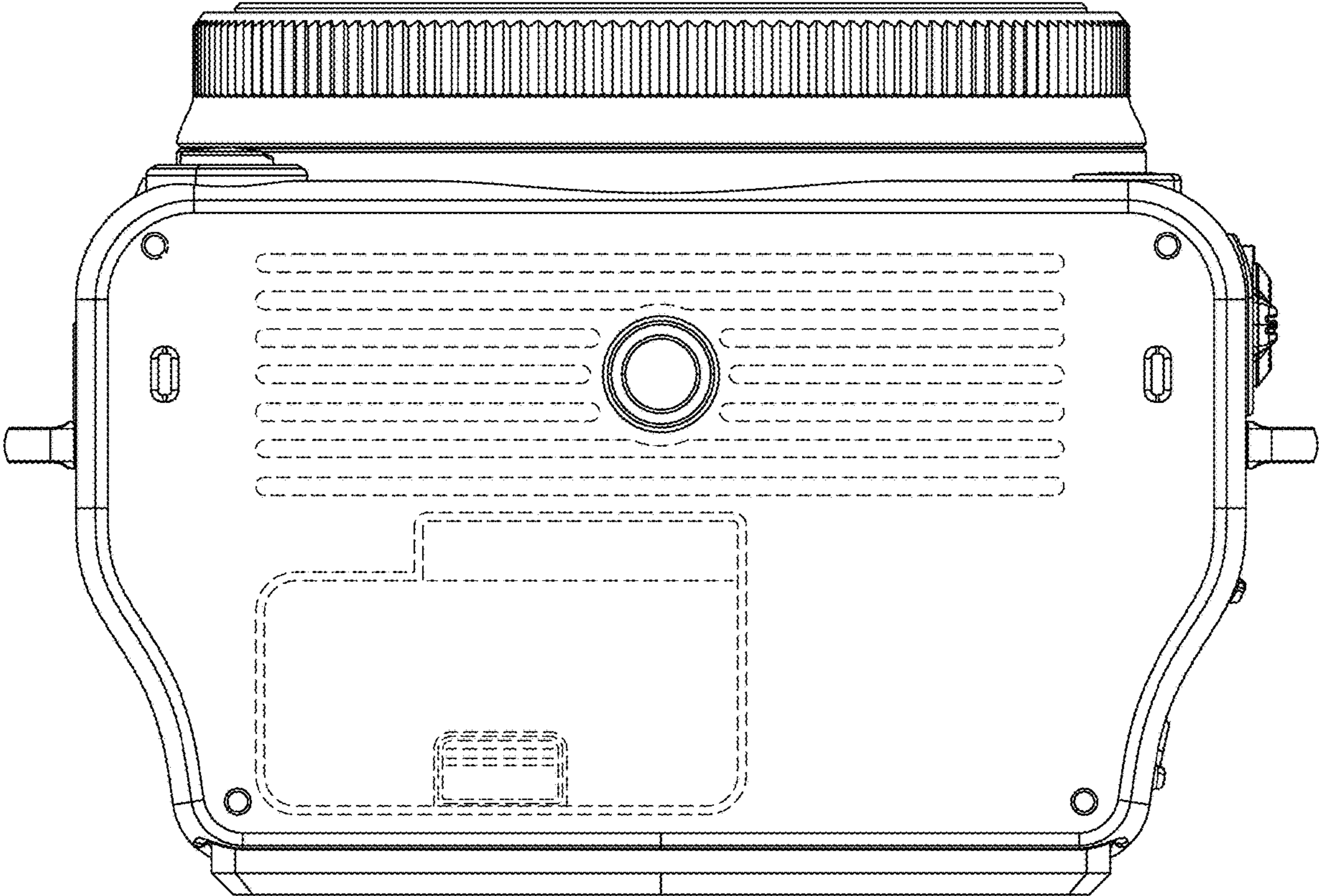


FIG. 8