



US00D924293S

(12) **United States Design Patent** (10) **Patent No.:** **US D924,293 S**
Nakamura (45) **Date of Patent:** **** Jul. 6, 2021**

(54) **AUTONOMOUS MOBILE ROBOT**
 (71) Applicant: **Soichiro Nakamura**, Tokyo (JP)
 (72) Inventor: **Soichiro Nakamura**, Tokyo (JP)
 (**) Term: **15 Years**

D829,252 S * 9/2018 Wang D15/199
 D829,793 S * 10/2018 Wang D15/199
 D840,453 S * 2/2019 Yoo D21/451
 D841,067 S * 2/2019 Camporesi D15/199
 D851,148 S * 6/2019 Wang D12/332
 D856,389 S * 8/2019 Gayne D7/594

(Continued)

(21) Appl. No.: **29/731,768**
 (22) Filed: **Apr. 17, 2020**

FOREIGN PATENT DOCUMENTS

JP 2005242409 A * 9/2005
 WO WO-2017198208 A1 * 11/2017 A47L 11/4061
 WO WO-2017198214 A1 * 11/2017 A47L 11/40

(30) **Foreign Application Priority Data**

Oct. 18, 2019 (JP) 2019-023252
 (51) **LOC (13) Cl.** **15-09**
 (52) **U.S. Cl.**
 USPC **D15/199**
 (58) **Field of Classification Search**
 USPC D15/199; D21/578-583, 621, 622;
 D32/21; D34/34
 CPC B25J 5/007; B25J 11/00; B25J 11/008;
 B62D 57/024; G06N 3/008; Y10S 901/01
 See application file for complete search history.

Primary Examiner — Patricia A Palasik

(74) *Attorney, Agent, or Firm* — Fitch, Even, Tabin & Flannery LLP

(56) **References Cited**

U.S. PATENT DOCUMENTS

D90,840 S * 10/1933 Ferris D21/451
 D173,771 S * 12/1954 Thieblot D12/332
 D174,817 S * 5/1955 Kenyon, II D21/389
 D183,564 S * 9/1958 Erstad D7/594
 D185,870 S * 8/1959 Apostolescu D21/452
 4,149,932 A * 4/1979 Jacobs G21C 17/01
 376/249
 D438,914 S * 3/2001 O'Rourke D21/452
 D509,261 S * 9/2005 Tebbe D21/452
 D624,971 S * 10/2010 Cohen D21/452
 D635,603 S * 4/2011 Paz Rodriguez D15/199
 D722,631 S * 2/2015 Stone D15/199
 D810,167 S * 2/2018 Yang D15/199
 D813,284 S * 3/2018 Wei D15/199
 D813,285 S * 3/2018 Wei D15/199
 D829,250 S * 9/2018 Zilbershtein D15/199

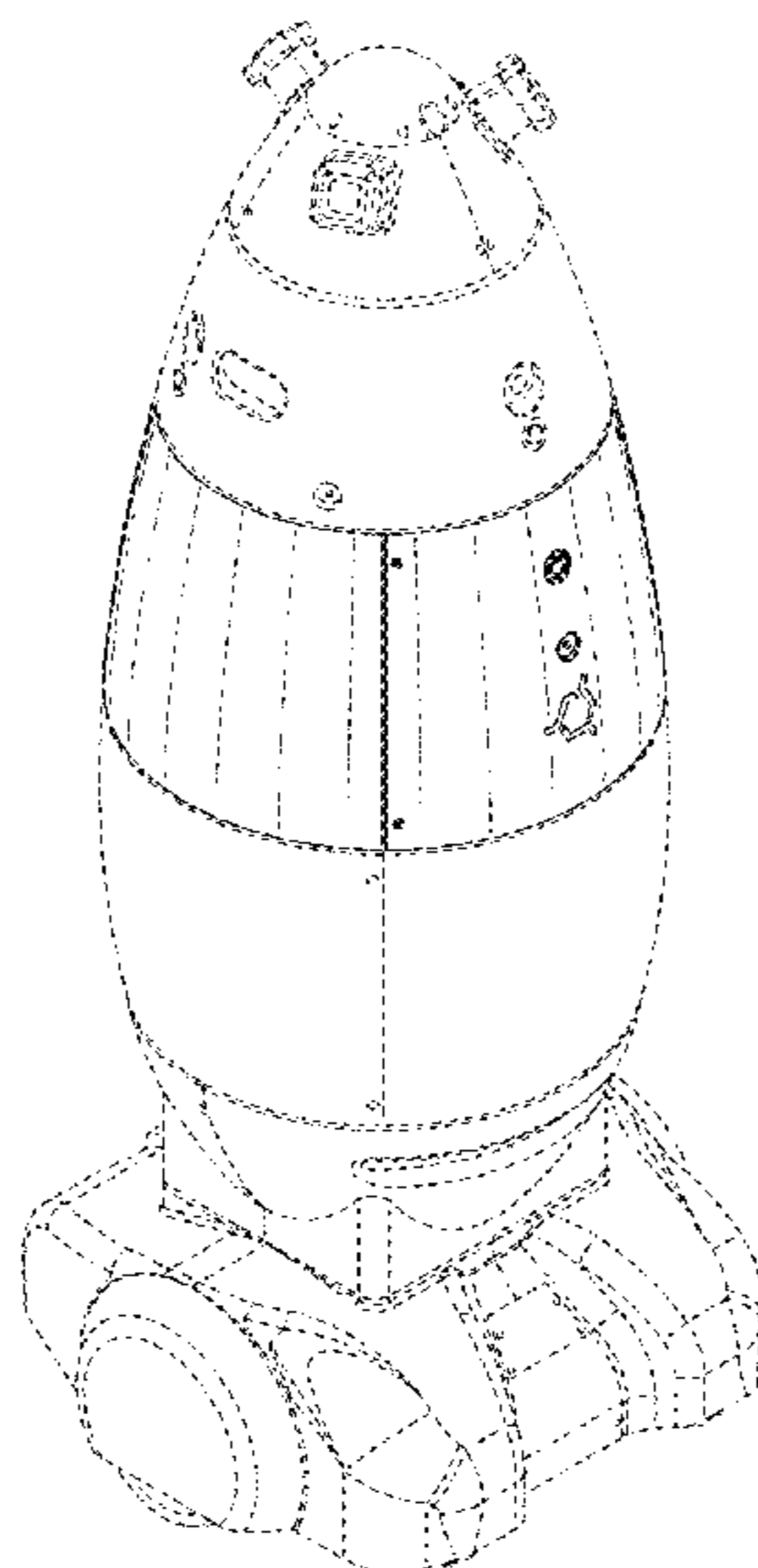
(57) **CLAIM**

I claim the ornamental design for an autonomous mobile robot, as shown and described.

DESCRIPTION

FIG. 1 is a front perspective view of an autonomous mobile robot, showing my new design;
 FIG. 2 is a rear perspective view thereof;
 FIG. 3 is a front elevational view thereof;
 FIG. 4 is a rear elevational view thereof;
 FIG. 5 is a top plan view thereof;
 FIG. 6 is a bottom plan view thereof;
 FIG. 7 is a right side elevational view thereof;
 FIG. 8 is a left side elevational view thereof;
 FIG. 9 is an enlarged front elevational view of the 9-9 portion of FIG. 3;
 FIG. 10 is a cross-sectional view taken along line 10-10 of FIG. 9 in which internal mechanisms are omitted; and,
 FIG. 11 is a cross-sectional view taken along line 11-11 of FIG. 9 in which internal mechanisms are omitted.
 The dashed broken lines show portions of the autonomous mobile robot that form no part of the claimed design.

1 Claim, 11 Drawing Sheets



(56)

References Cited

U.S. PATENT DOCUMENTS

D857,074	S	*	8/2019	Kim	D21/389
D862,550	S	*	10/2019	Shu	D21/452
D865,021	S	*	10/2019	Hu	D21/452
2017/0136631	A1	*	5/2017	Li	G06N 20/00
2017/0326724	A1	*	11/2017	Wei	G06F 3/0412
2018/0178375	A1	*	6/2018	Yang	B25J 19/00
2020/0030963	A1	*	1/2020	Youn	B25J 11/0005
						D21/452
2020/0406448	A1	*	12/2020	Luo	B25J 11/008
						D21/452

* cited by examiner

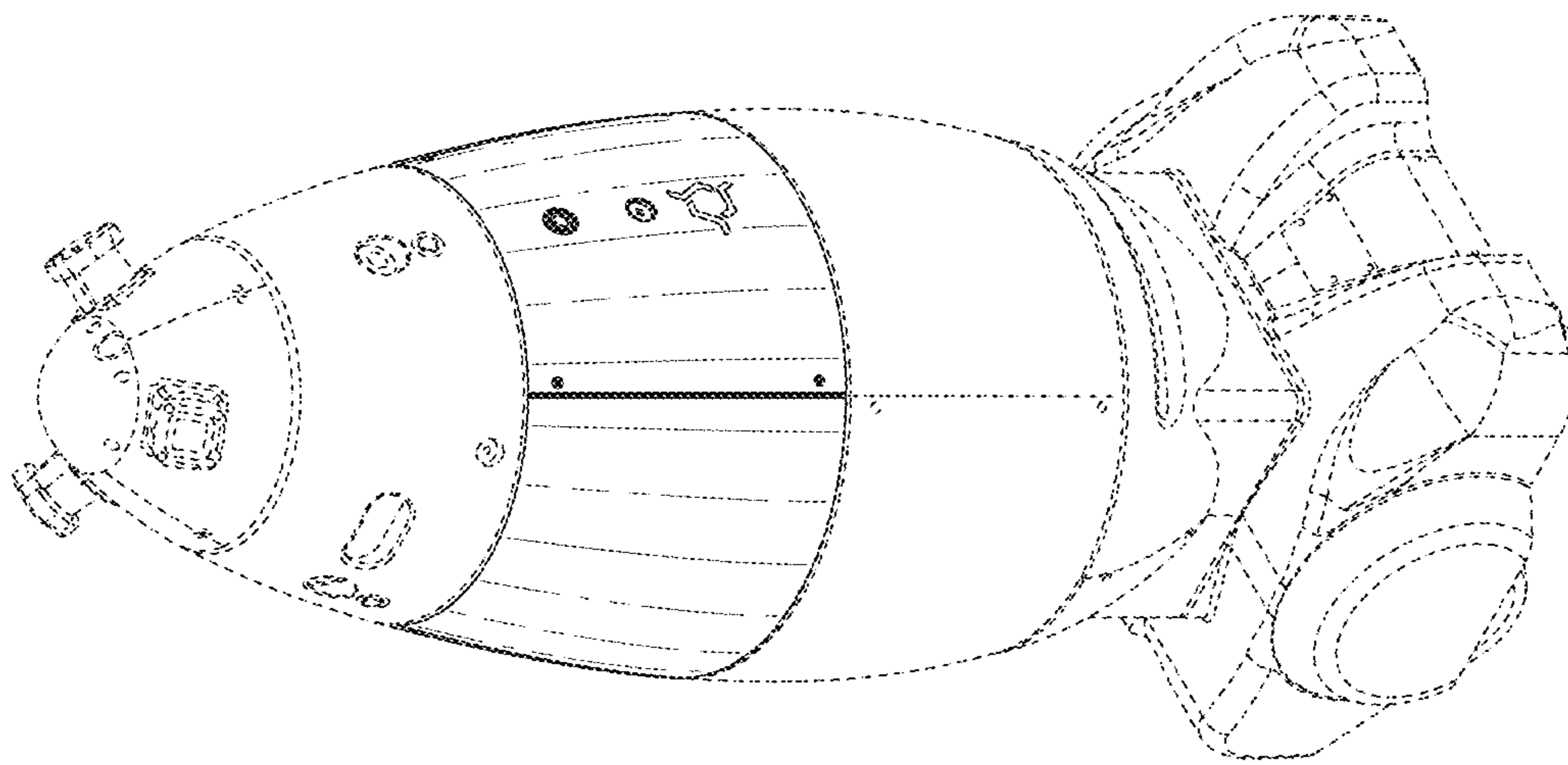


FIG.1

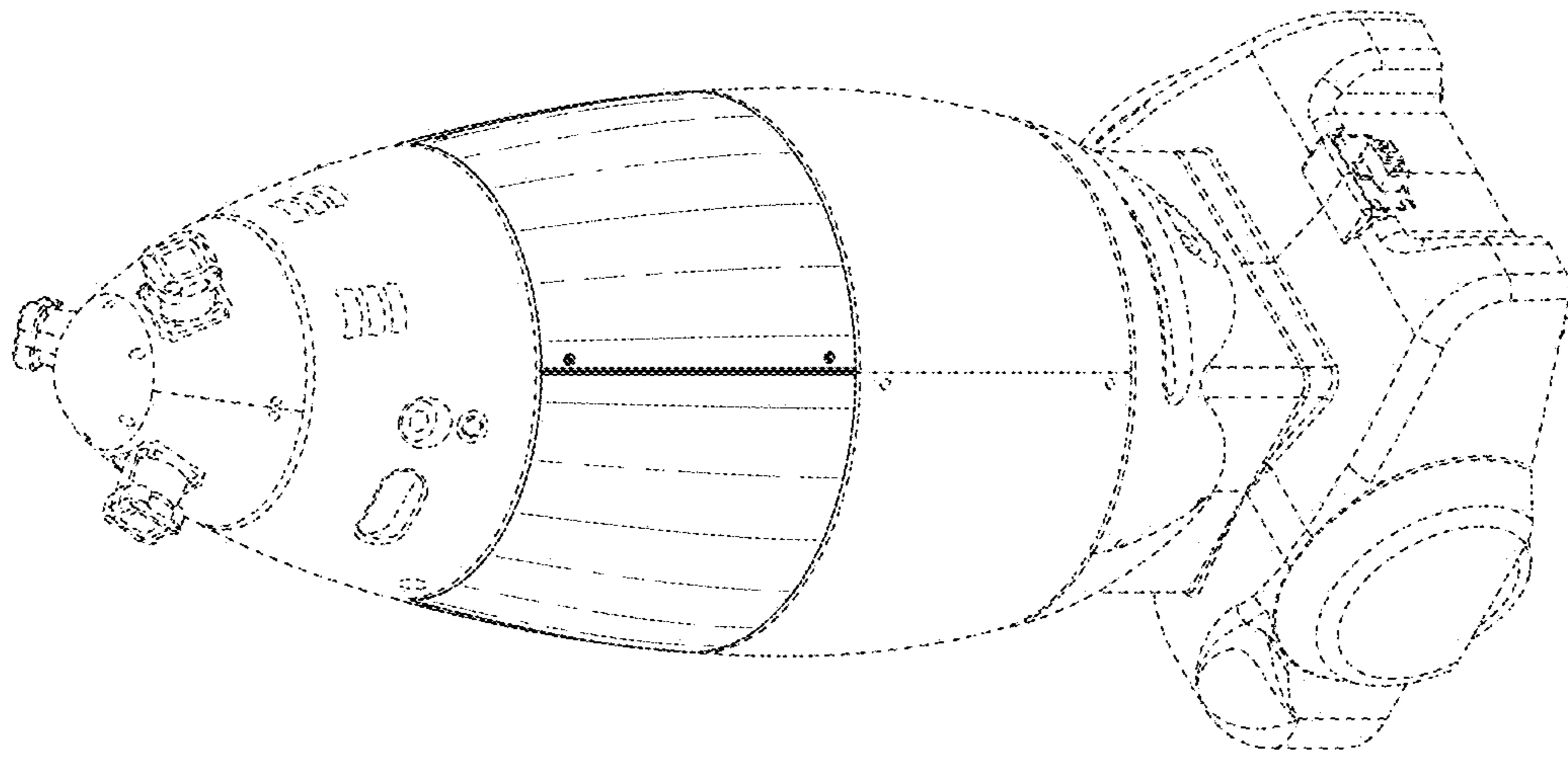


FIG.2

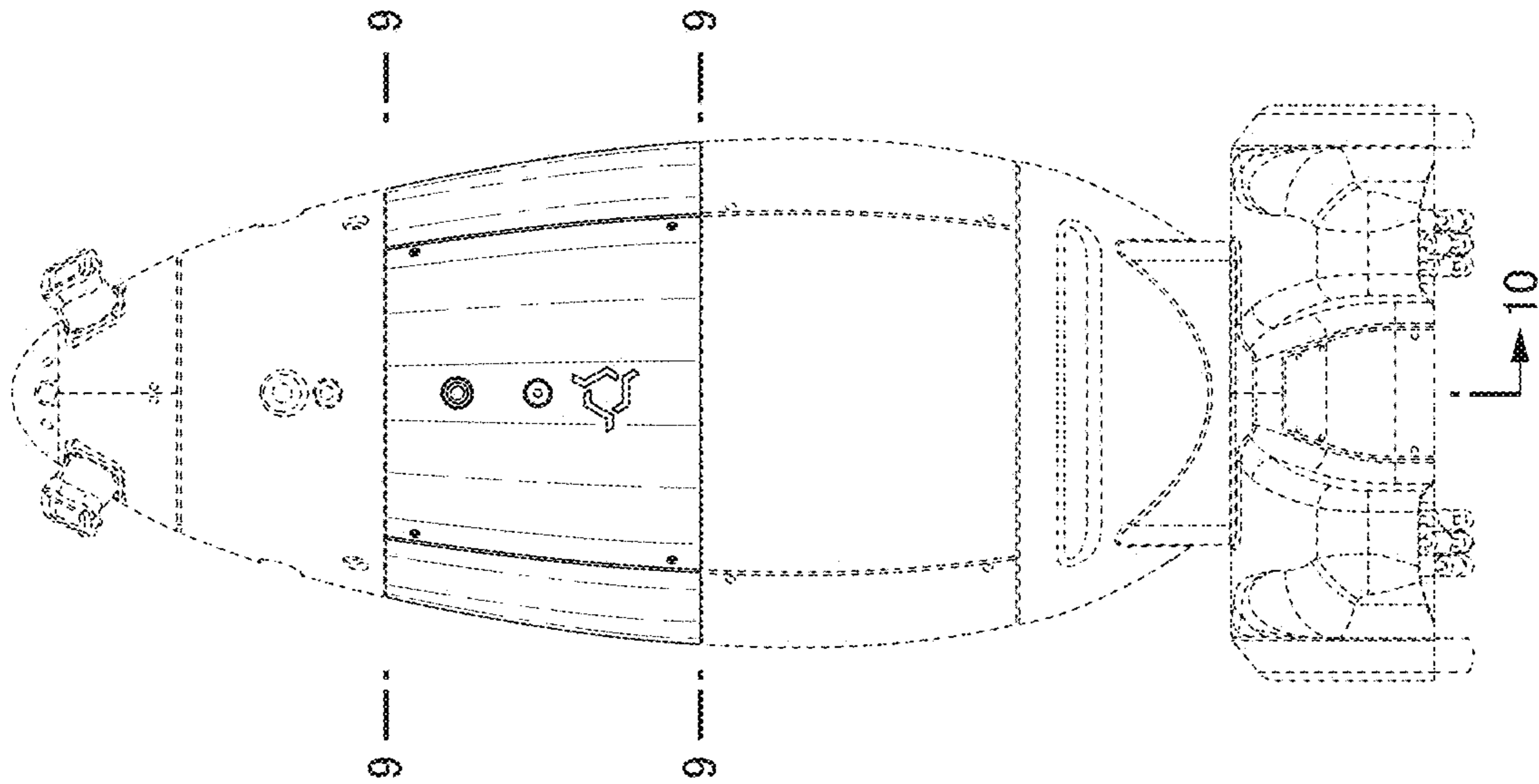


FIG.3

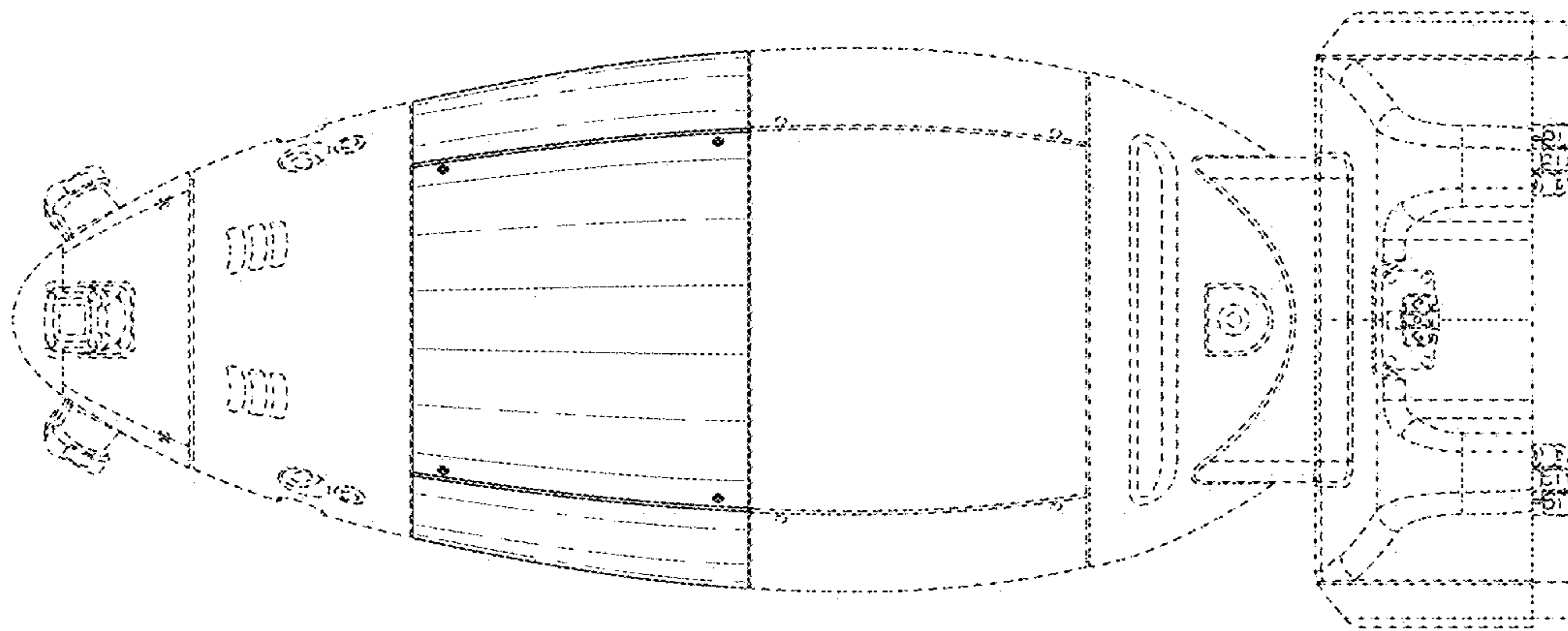


FIG.4

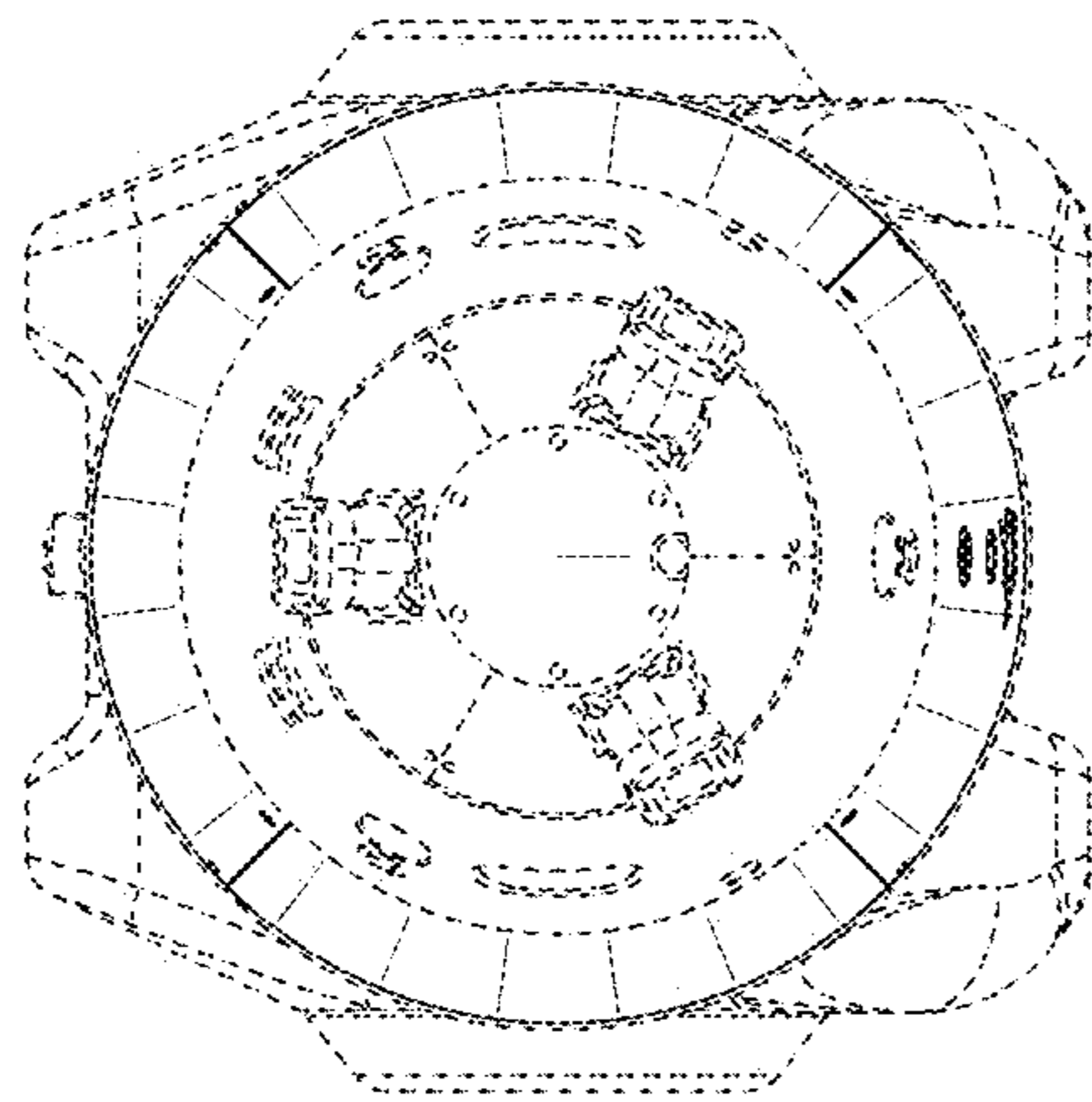


FIG. 5

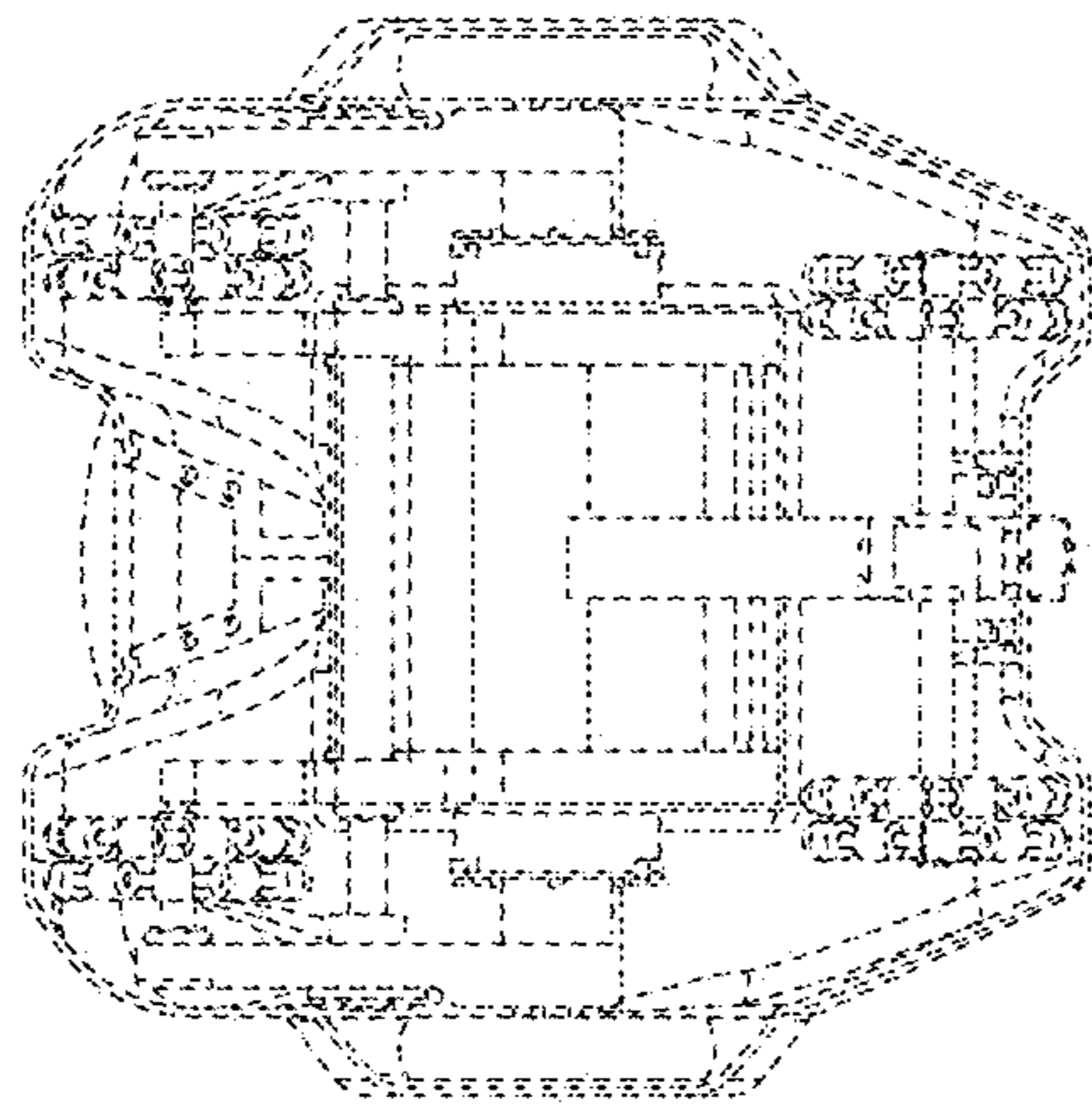


FIG.6

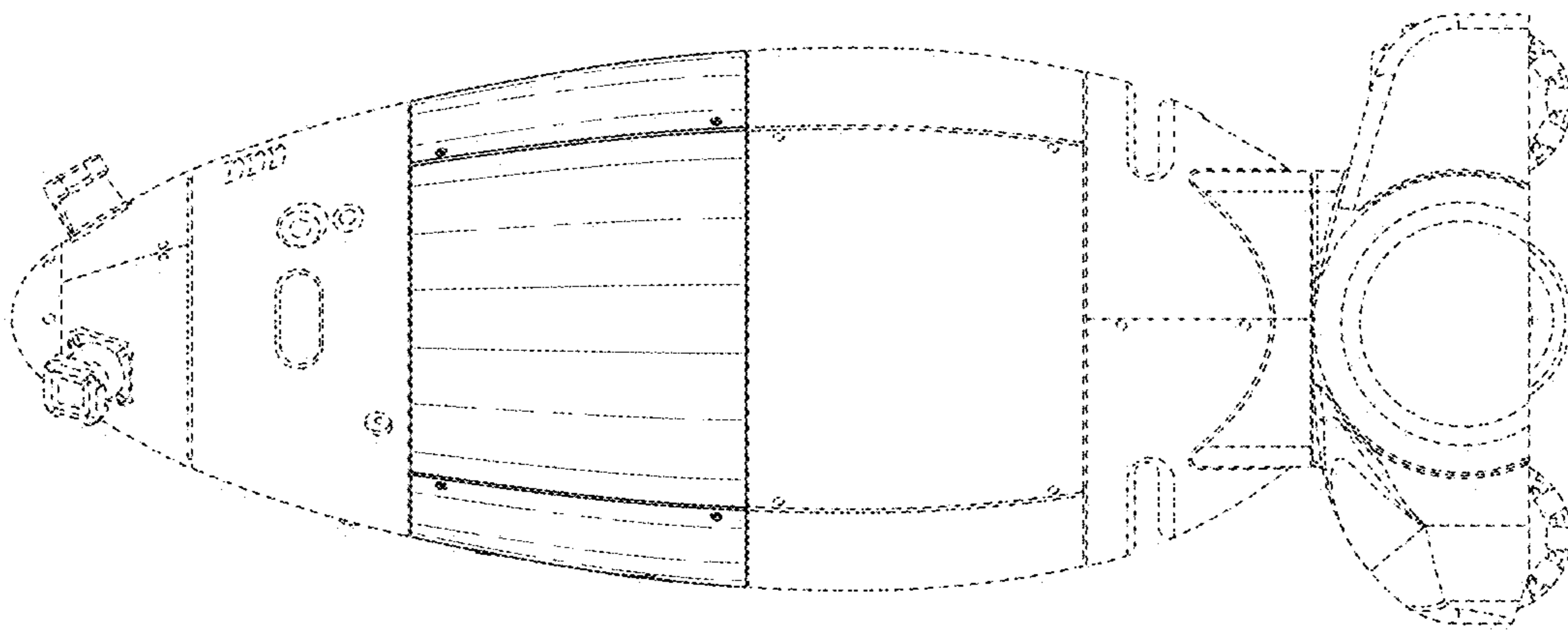


FIG.7

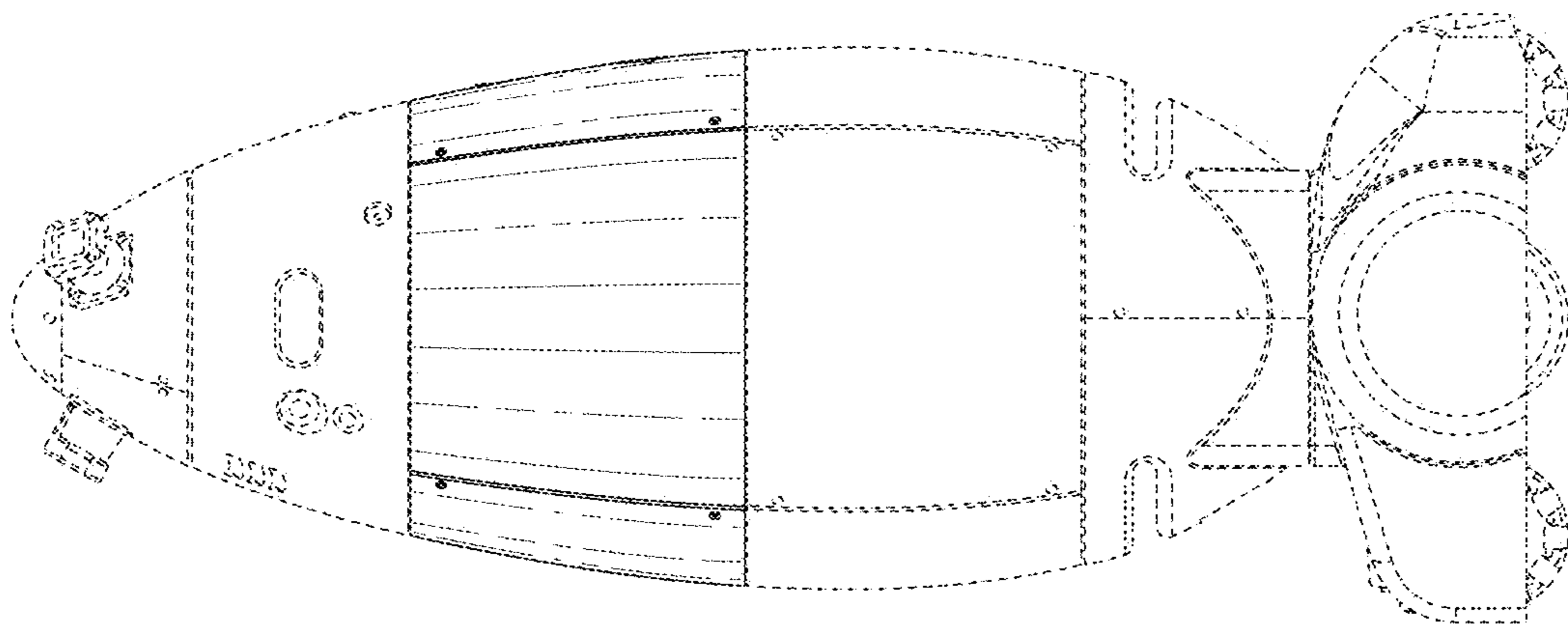


FIG.8

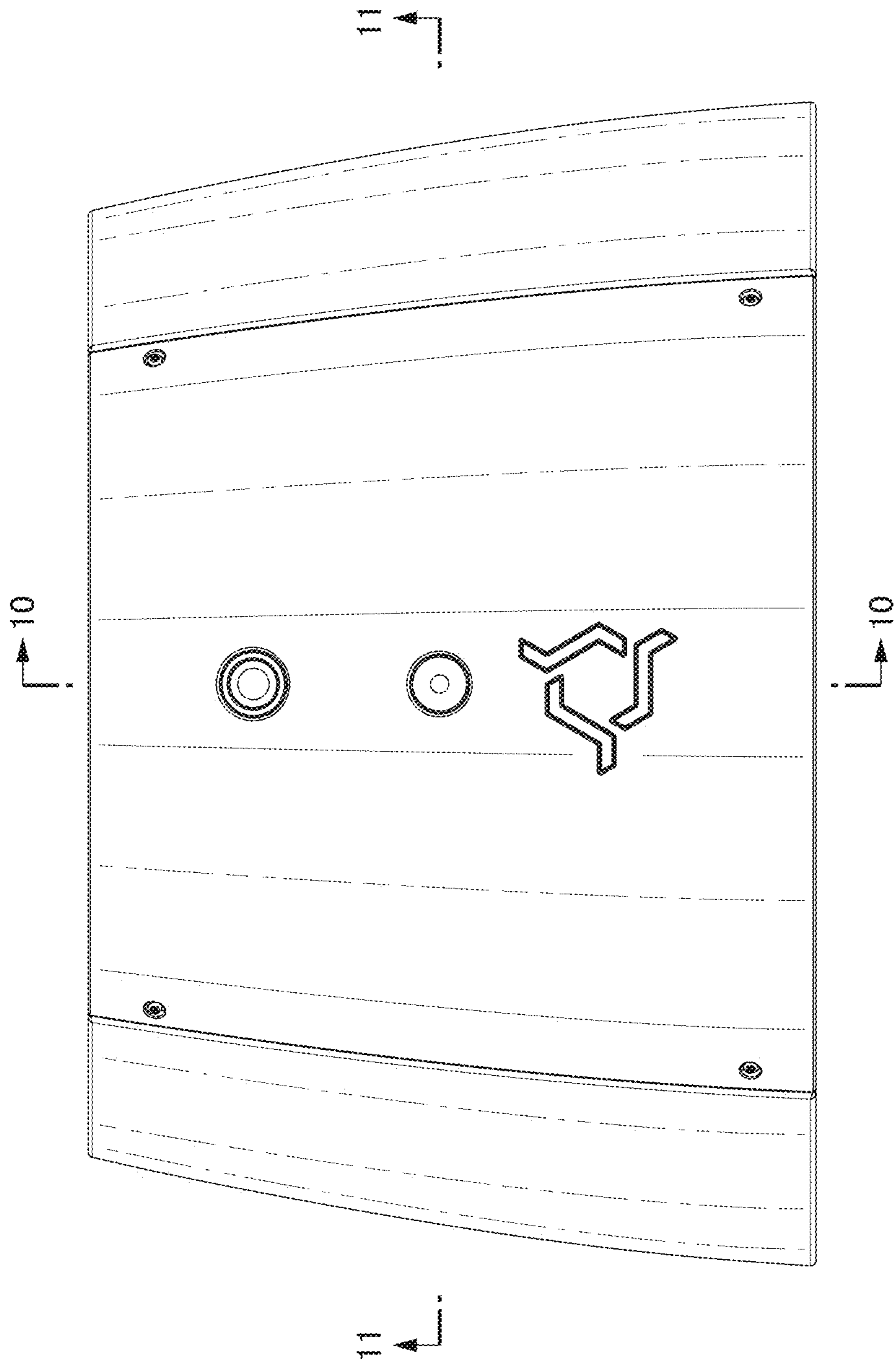


FIG.9

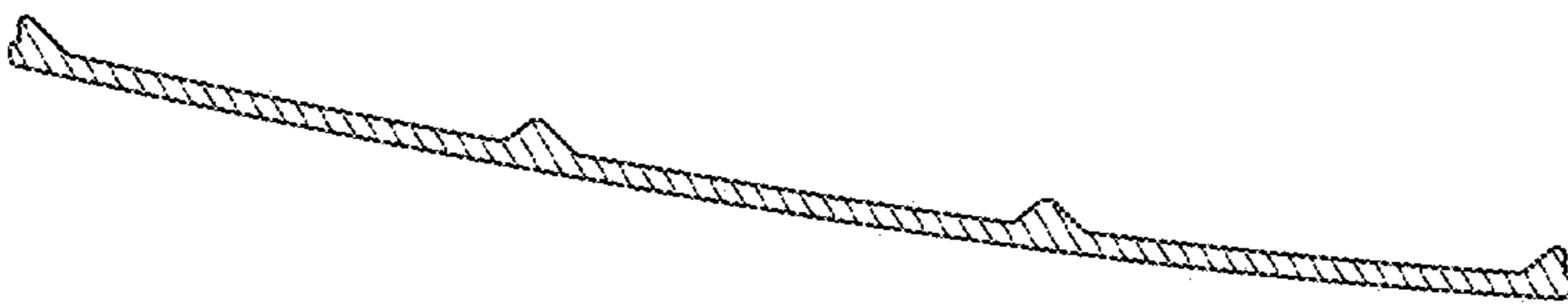
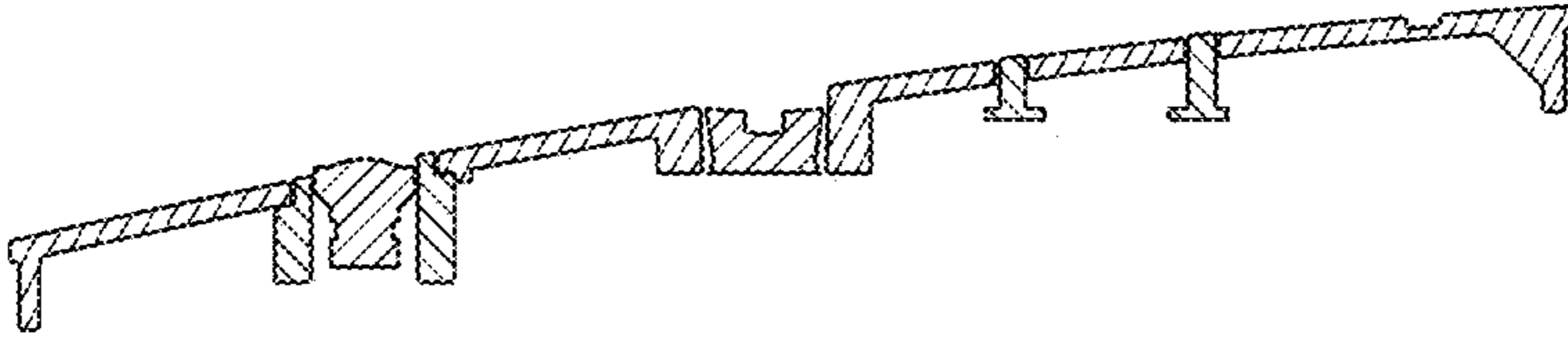


FIG.10

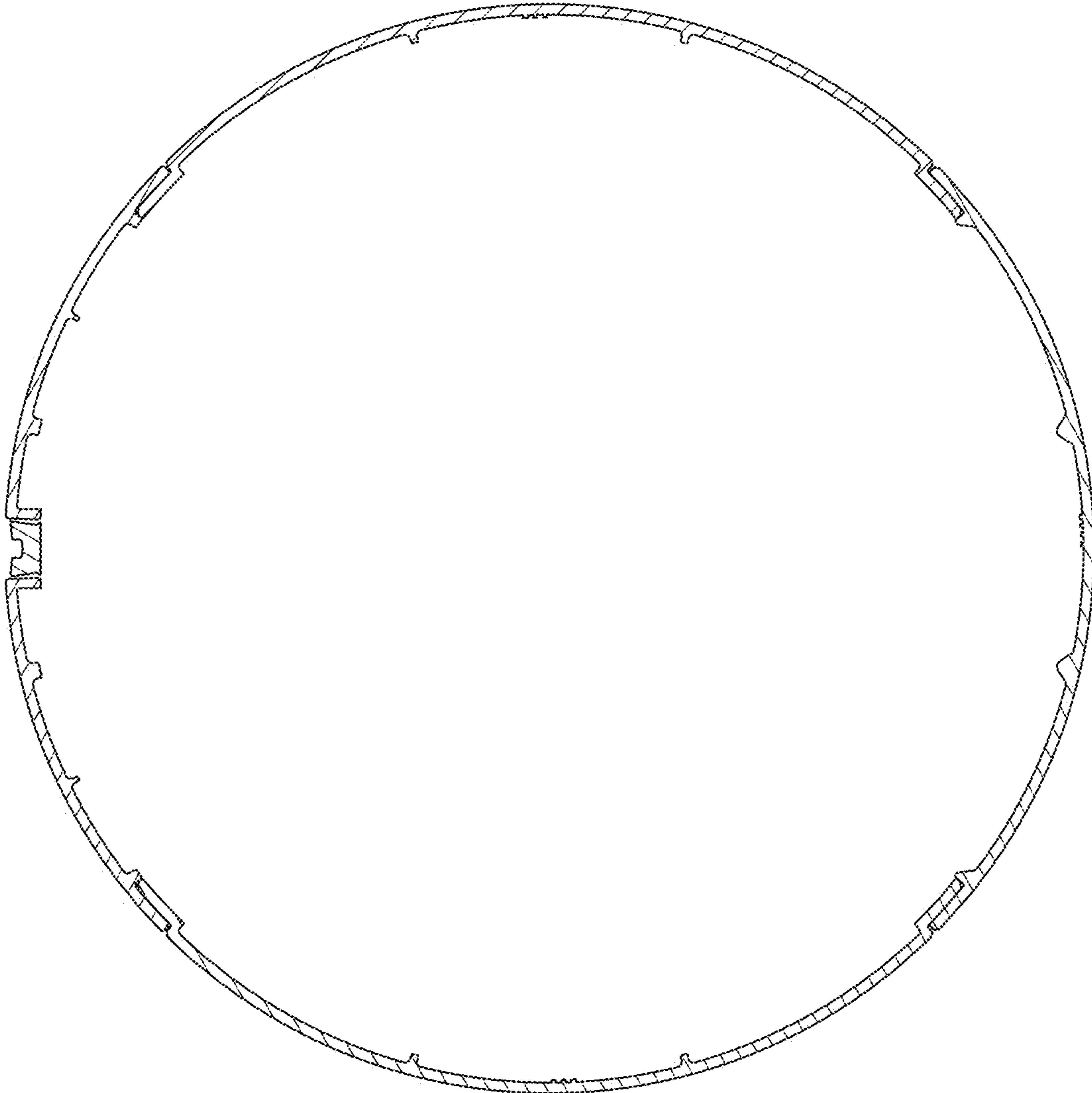


FIG.11