



US00D924292S

(12) **United States Design Patent** (10) **Patent No.:** **US D924,292 S**
Wei (45) **Date of Patent:** **** Jul. 6, 2021**

(54) **3D PRINTER**
(71) Applicant: **Fulcrum Industrial (Shenzhen) Co., Ltd.**, Shenzhen (CN)
(72) Inventor: **Yuting Wei**, Dalian (CN)
(73) Assignee: **Fulcrum Industrial (Shenzhen) Co., Ltd.**, Shenzhen (CN)
(**) Term: **15 Years**
(21) Appl. No.: **29/727,617**
(22) Filed: **Mar. 12, 2020**

D732,587 S * 6/2015 Hsu D15/122
D732,588 S * 6/2015 Lin D15/122
D739,885 S * 9/2015 Lee D15/122
D752,661 S * 3/2016 Anantha D15/122
D757,132 S * 5/2016 Liu D15/122
D760,306 S * 6/2016 Wolf D15/122
D763,330 S * 8/2016 Olive D15/122
D765,745 S * 9/2016 Cheung D15/122
D770,545 S * 11/2016 Olive D15/122
D771,164 S * 11/2016 Noorazar D15/122
D776,174 S * 1/2017 Summit D15/122
D777,808 S * 1/2017 Chang D15/122
D799,569 S * 10/2017 Cesar D15/122
D826,296 S * 8/2018 Noorazar D15/122
D850,501 S * 6/2019 Schmitt D15/122
D858,590 S * 9/2019 Kazaoka D15/122
D864,262 S * 10/2019 Noorazar D15/122
D870,780 S * 12/2019 Zhang D15/122

(Continued)

(30) **Foreign Application Priority Data**
Feb. 26, 2020 (CN) 202030060319.X

Primary Examiner — Patricia A Palasik
(74) *Attorney, Agent, or Firm* — ScienBiziP, P.C.

(51) **LOC (13) Cl.** **15-99**
(52) **U.S. Cl.**
USPC **D15/199**
(58) **Field of Classification Search**
USPC D15/122, 127, 135, 138, 145, 199;
D18/19, 50, 54, 54.1, 55, 59
CPC B32B 18/00; B33Y 10/00; B33Y 70/00;
B33Y 80/00; B29C 64/165; C04B
2235/36; C04B 2235/3427; C04B
2237/341
See application file for complete search history.

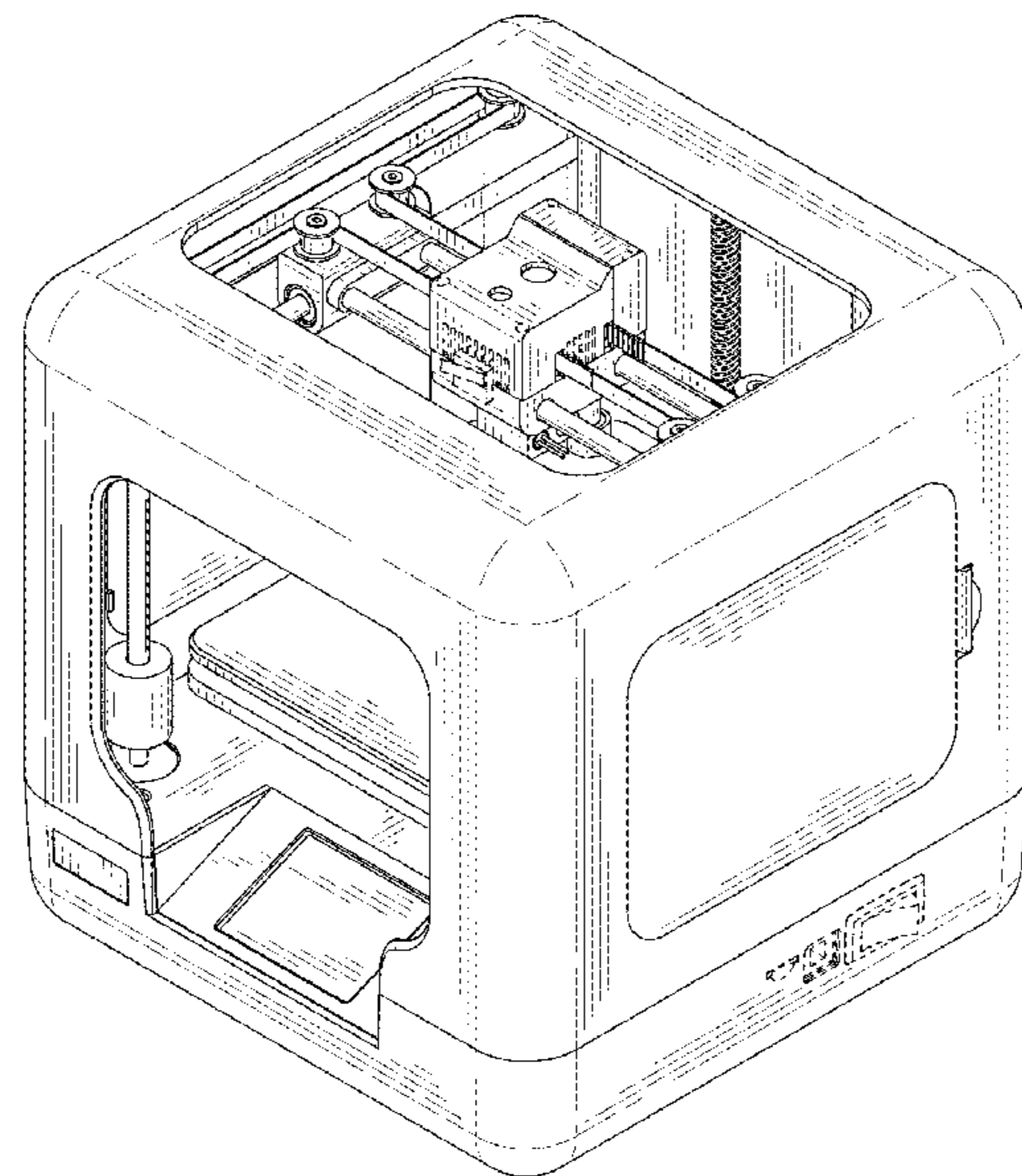
(57) **CLAIM**
The ornamental design for a 3D printer, as shown and described.

DESCRIPTION

FIG. 1 is a top, front, right side perspective view of a 3D printer, showing my design.
FIG. 2 is a bottom, rear, left side perspective view thereof.
FIG. 3 is a front elevation view thereof.
FIG. 4 is a rear elevation view thereof.
FIG. 5 is a left side elevation view thereof.
FIG. 6 is a right side elevation view thereof.
FIG. 7 is a top plan view thereof.
FIG. 8 is a bottom plan view thereof; and,
FIG. 9 is an enlarged view of an area labeled 9 in FIG. 2.
The details shown in broken lines in the drawings depict portions of the 3D printer that form no part of the claimed design.

(56) **References Cited**
U.S. PATENT DOCUMENTS
D361,178 S * 8/1995 Piret D32/1
D384,447 S * 9/1997 Lauer D32/21
D474,312 S * 5/2003 Stephens D32/21
D501,502 S * 2/2005 Scully D18/50
D684,614 S * 6/2013 Bergamini D15/199
D684,615 S * 6/2013 Bergamini D15/199
D684,616 S * 6/2013 Bergamini D15/199
D732,586 S * 6/2015 Chen D15/122

1 Claim, 9 Drawing Sheets



(56)

References Cited

U.S. PATENT DOCUMENTS

D886,167 S *	6/2020	Wang	D15/122
D888,346 S *	6/2020	Jiang	D30/122
D895,698 S *	9/2020	Palmer	D15/122
D901,561 S *	11/2020	Oliver Gonzalez	D15/122
D902,266 S *	11/2020	Oliver Gonzalez	D15/122
D903,730 S *	12/2020	Johnson	D15/122
D908,750 S *	1/2021	Oliver Gonzalez	D15/122
2017/0355139 A1 *	12/2017	Wolf	B29C 64/209

* cited by examiner

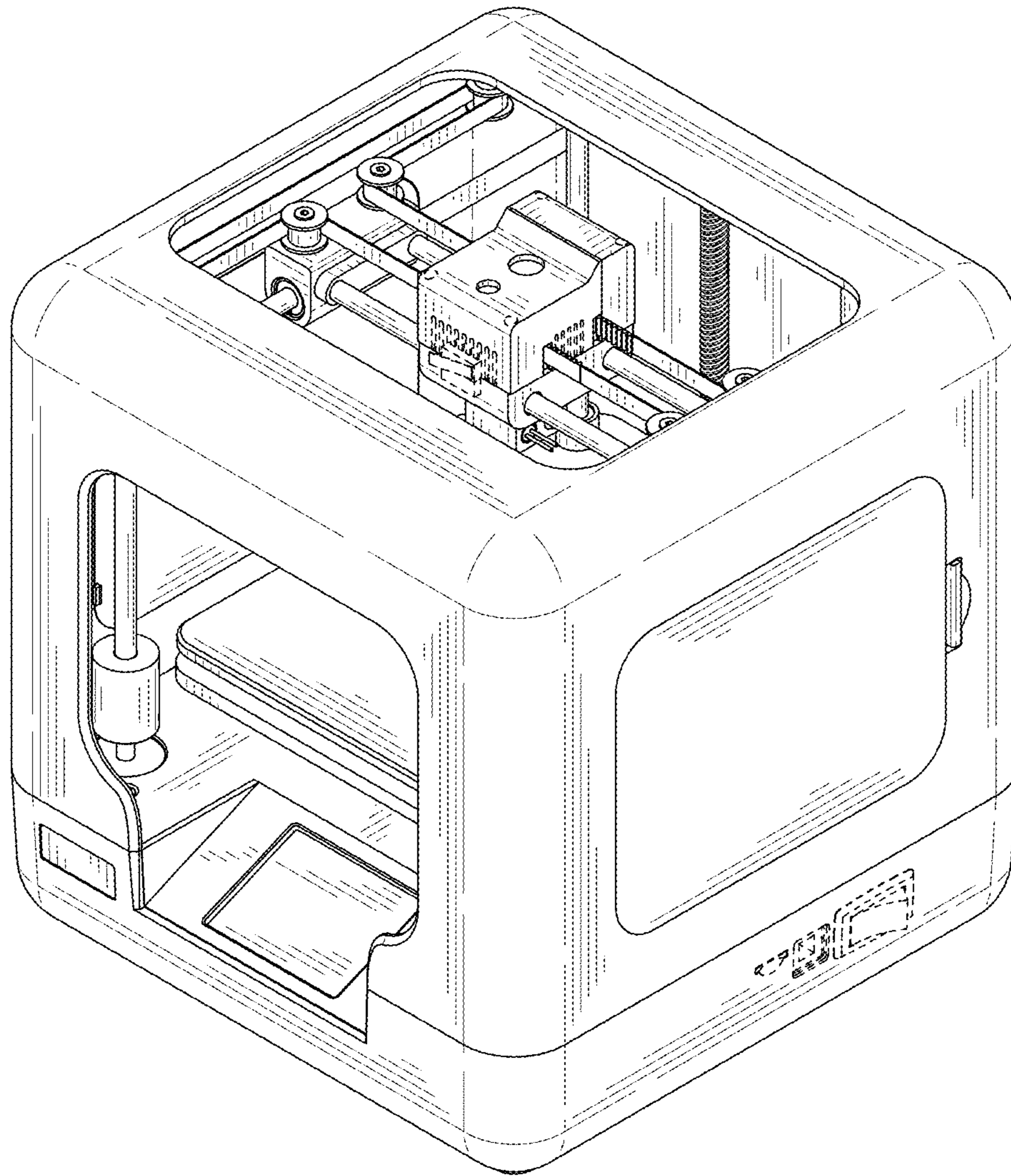


FIG. 1

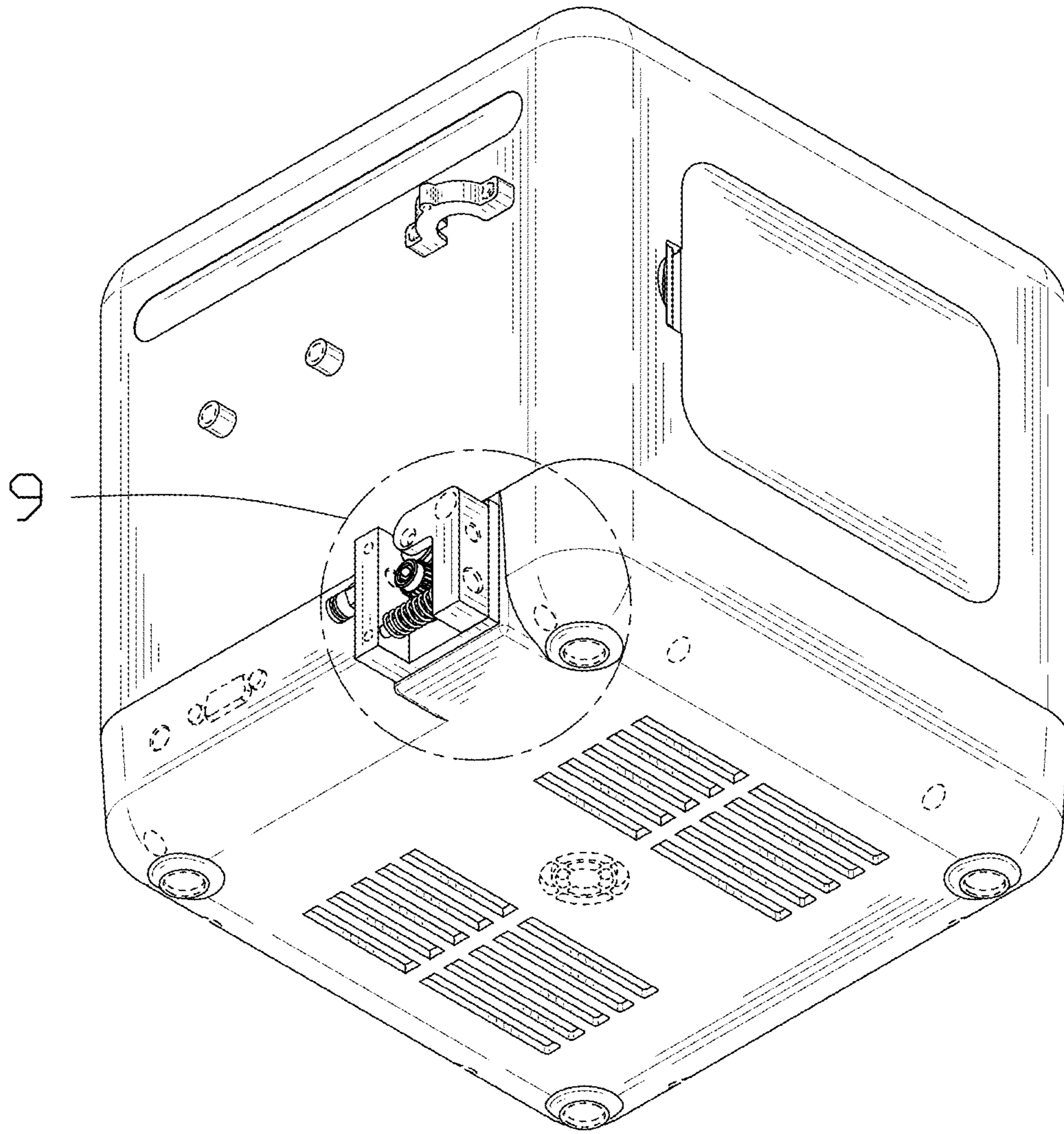


FIG. 2

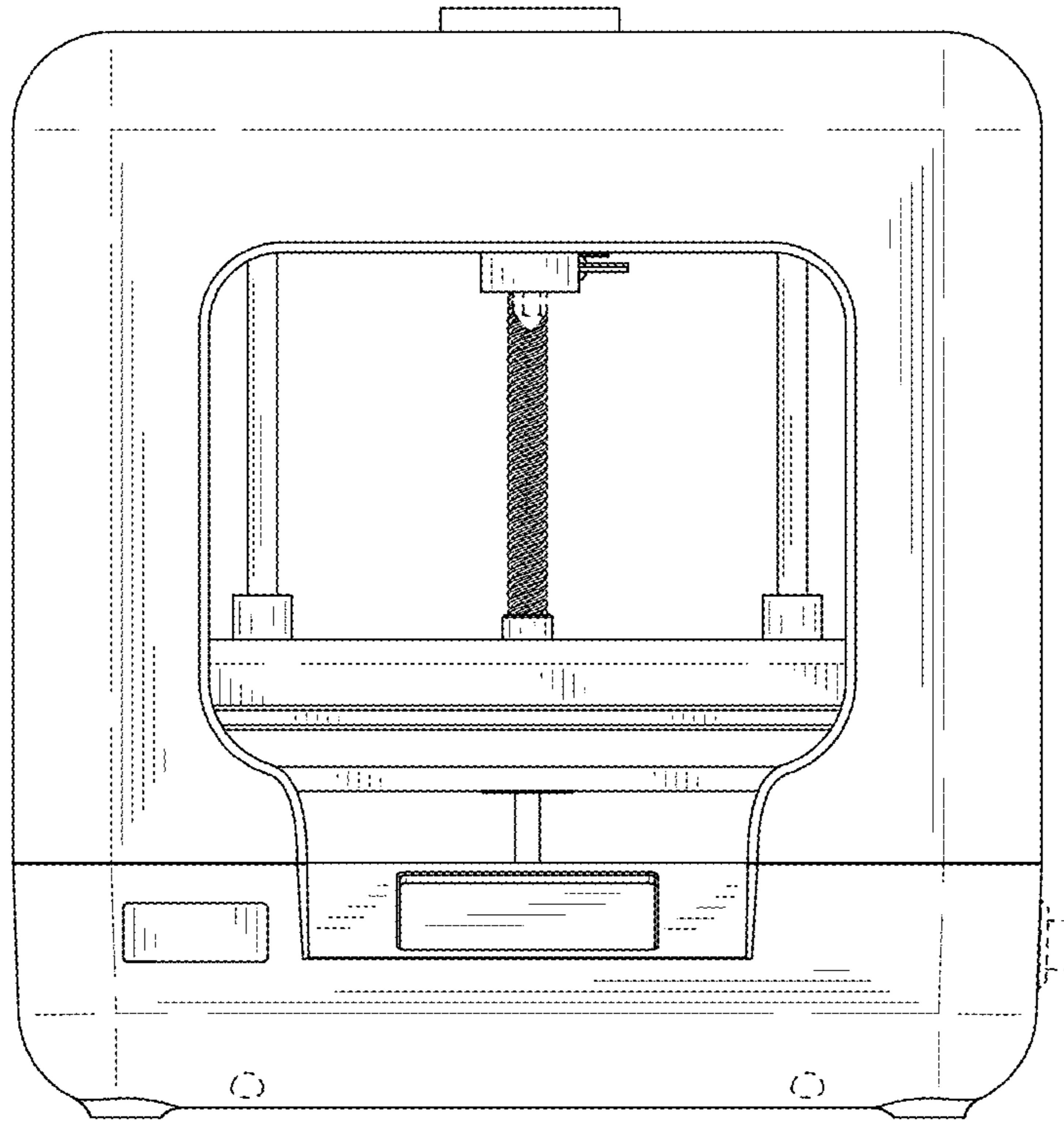


FIG. 3

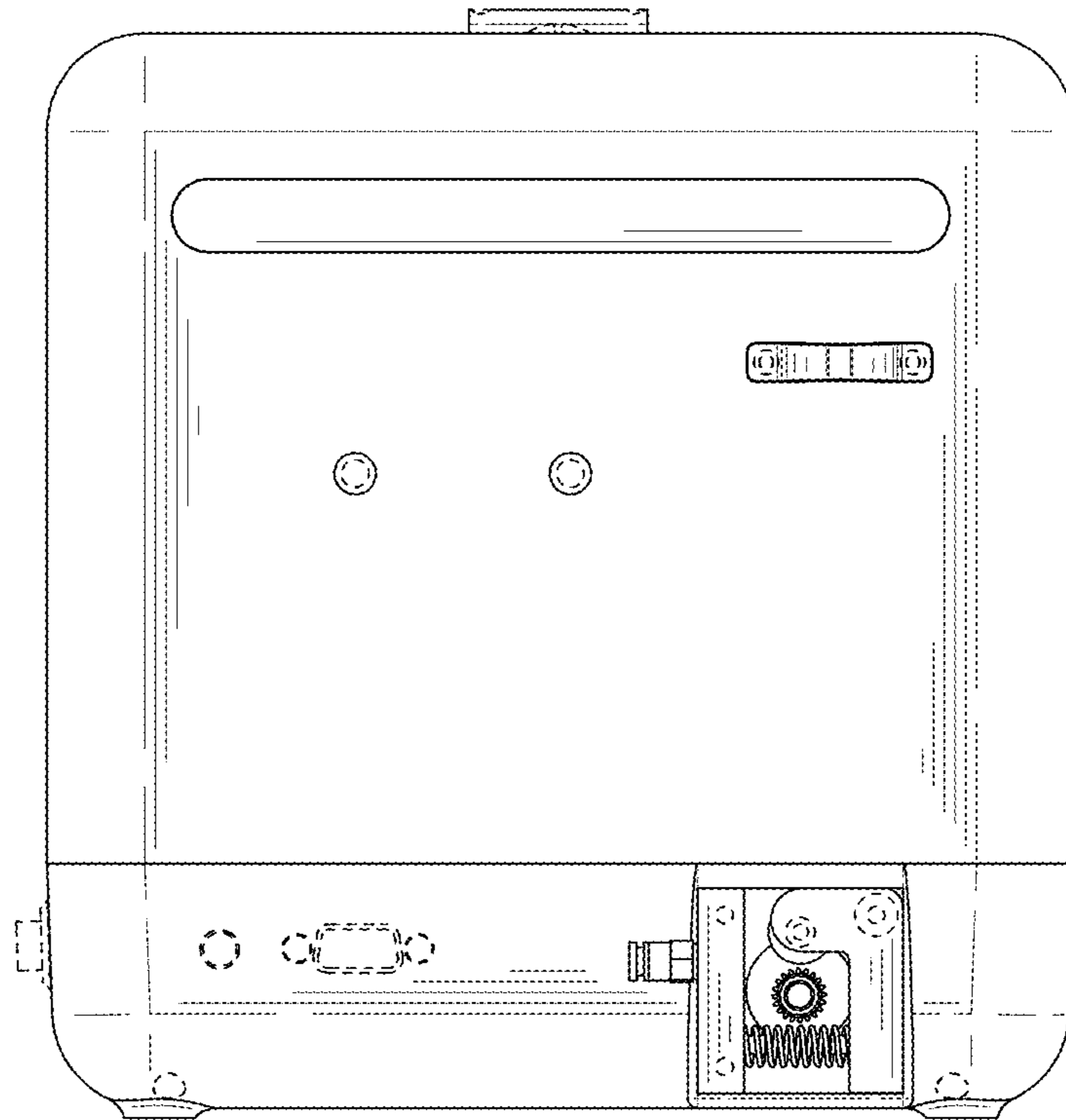


FIG. 4

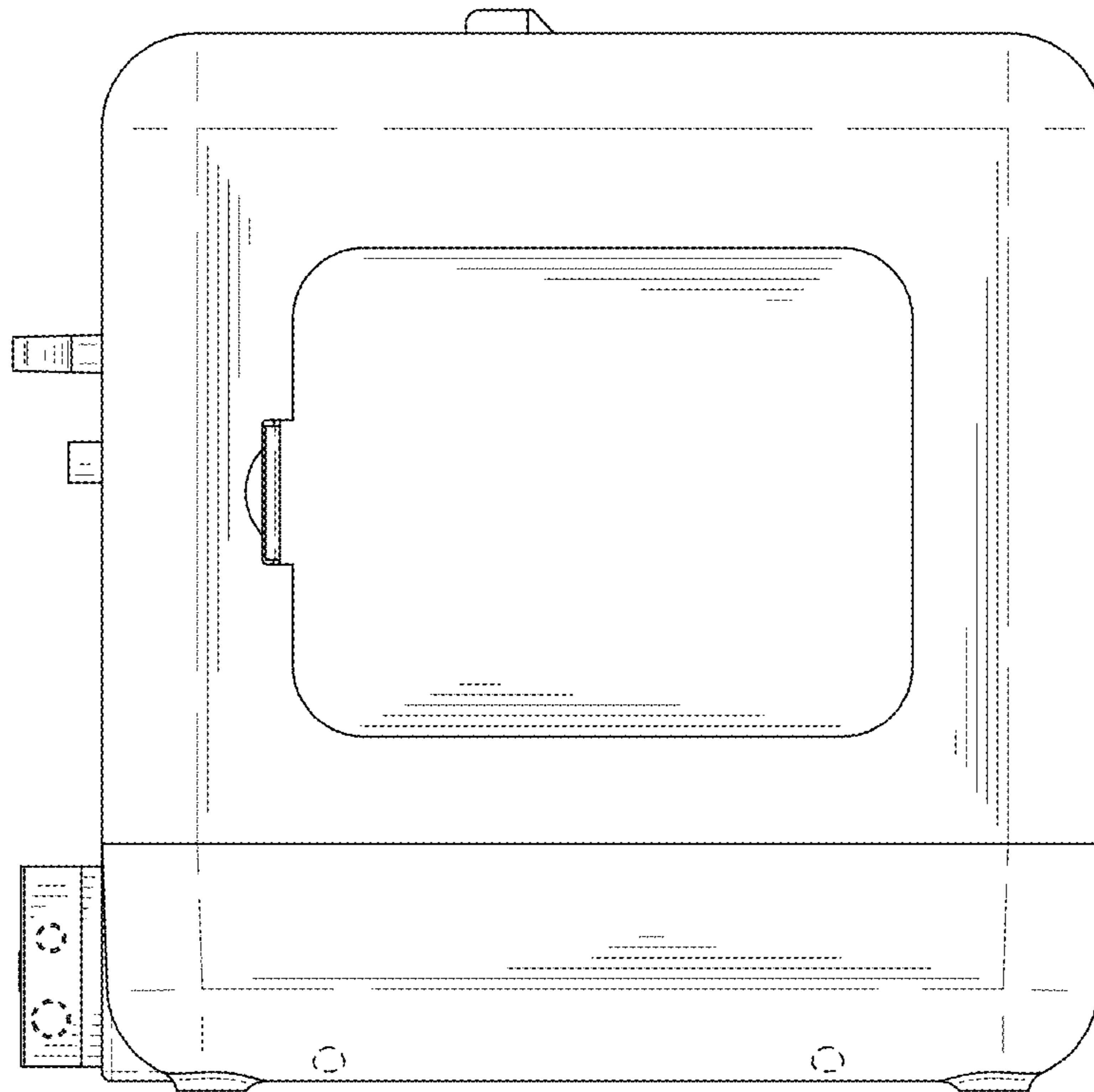


FIG. 5

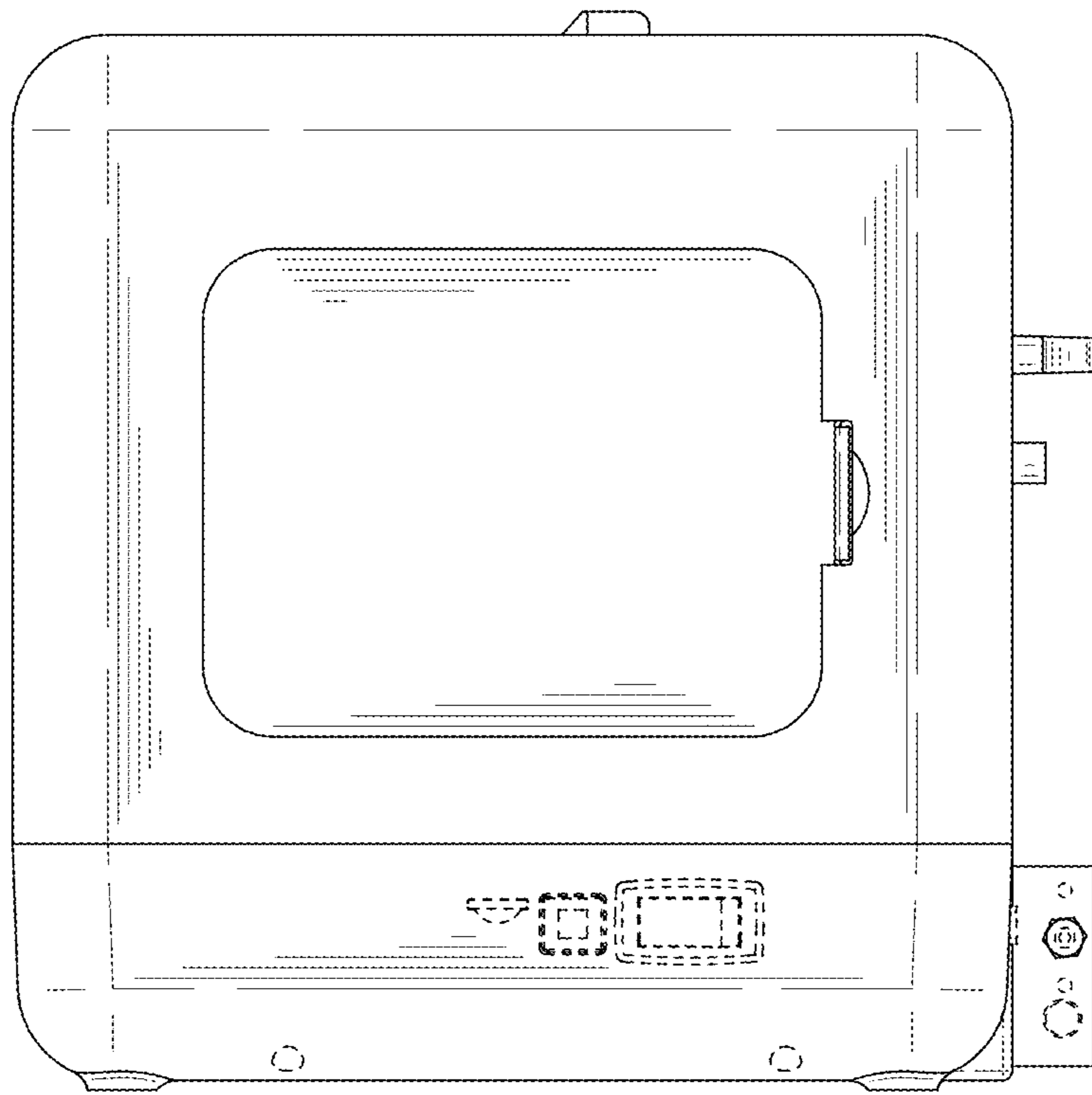


FIG. 6

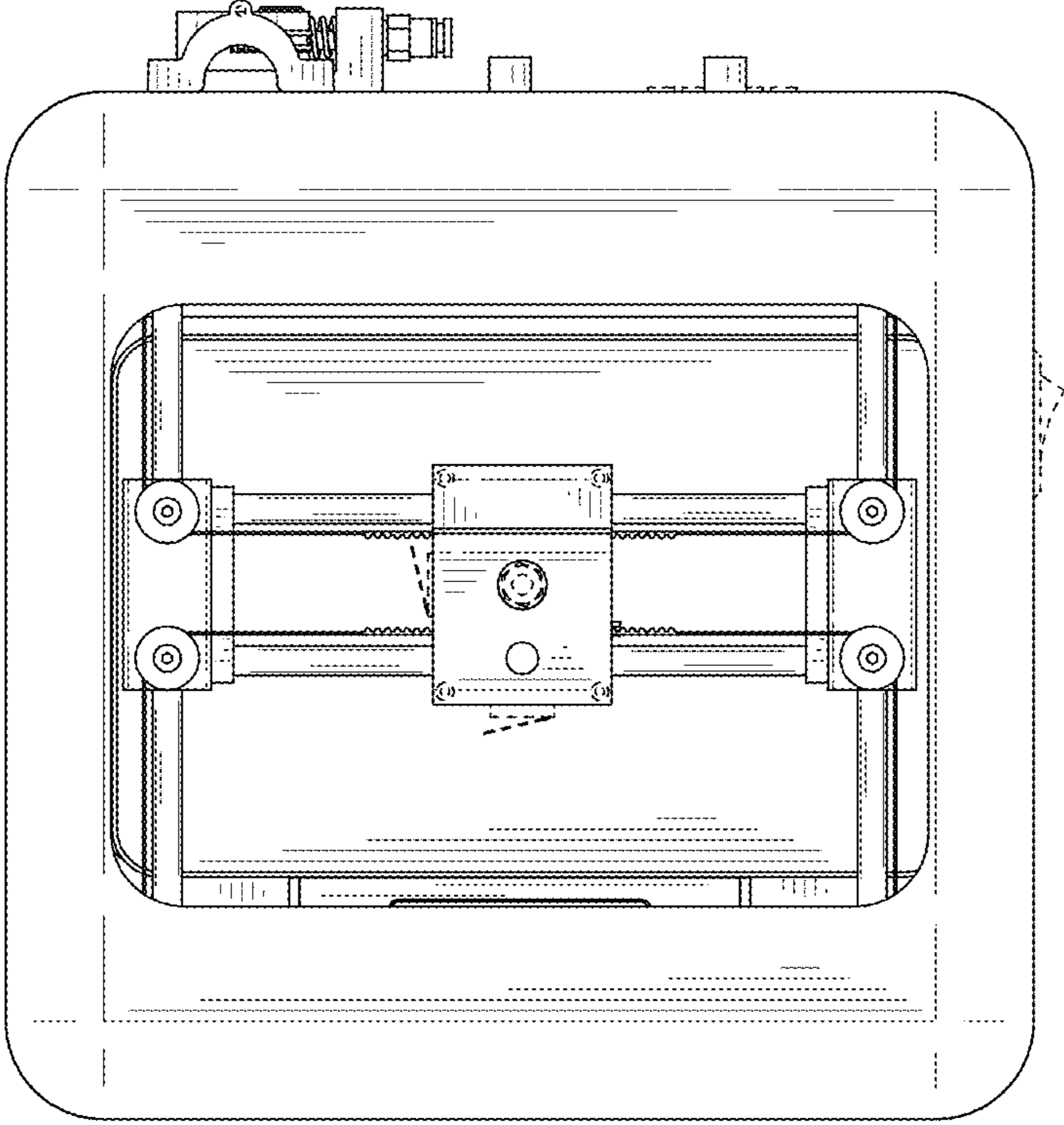


FIG. 7

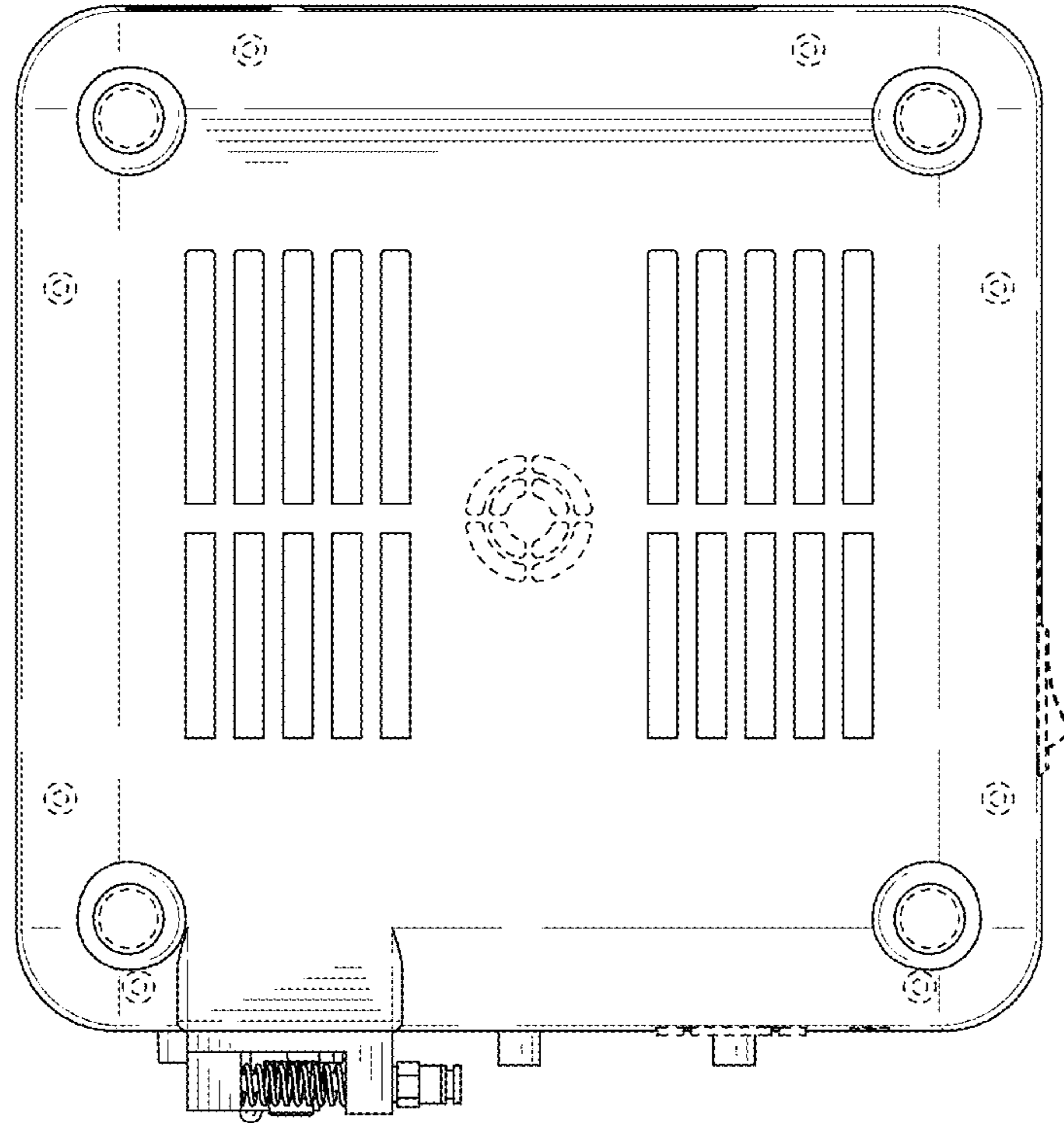


FIG. 8

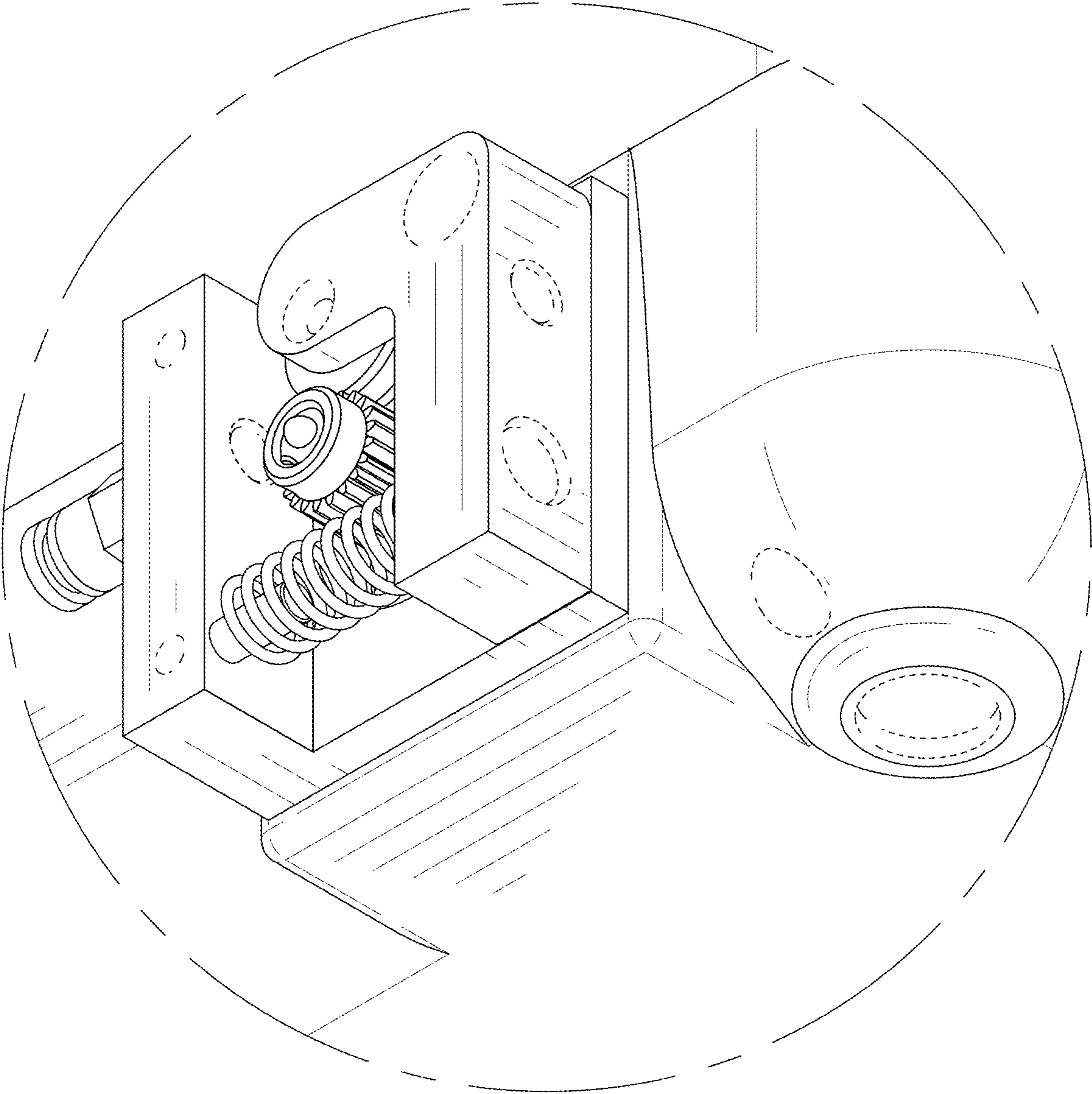


FIG. 9