



US00D924291S

(12) **United States Design Patent**
Bangalore Srinivas et al.

(10) **Patent No.:** **US D924,291 S**

(45) **Date of Patent:** **** Jul. 6, 2021**

- (54) **INDUSTRIAL ROBOT**
- (71) Applicant: **TATA CONSULTANCY SERVICES LIMITED**, Mumbai (IN)
- (72) Inventors: **Venkatesh Prasad Bangalore Srinivas**, Bangalore (IN); **Venkat Raju Chintalapalli Patta**, Bengaluru (IN); **Swagat Kumar**, Bengaluru (IN)
- (73) Assignee: **TATA CONSULTANCY SERVICES LIMITED**
- (**) Term: **15 Years**
- (21) Appl. No.: **29/698,000**
- (22) Filed: **Jul. 12, 2019**
- (30) **Foreign Application Priority Data**

5,154,249	A *	10/1992	Yardley	B60D 1/06
				180/168
5,658,120	A *	8/1997	Watanabe	B23Q 7/1436
				414/495
D810,799	S *	2/2018	Sokuza	D15/199
D817,375	S *	5/2018	Deyle	D15/199
D819,711	S *	6/2018	Li	D15/199
D841,067	S *	2/2019	Camporesi	D15/199
D857,073	S *	8/2019	Gayne	D15/199
D864,270	S *	10/2019	Hu	D15/199
D865,021	S *	10/2019	Hu	D15/199
D869,533	S *	12/2019	Kim	D15/199
D870,787	S *	12/2019	Kim	D15/199
D870,788	S *	12/2019	Kim	D15/199
D871,475	S *	12/2019	Kolb	D15/199
D871,477	S *	12/2019	Kolb	D15/199
D873,173	S *	1/2020	Brucker	D12/1
D879,852	S *	3/2020	Chen	D15/199
D884,764	S *	5/2020	Mori	D15/199
D887,468	S *	6/2020	Hirvesaar	D15/199
D888,790	S *	6/2020	Yao	D15/199
D890,239	S *	7/2020	Srivastava	D15/199
D893,570	S *	8/2020	Zheng	D15/199
2009/0035181	A1 *	2/2009	Chung	G01N 35/0099
				422/68.1

- Jan. 18, 2019 (IN) 314013-001
- (51) **LOC (13) Cl.** **15-99**
- (52) **U.S. Cl.**
USPC **D15/199**
- (58) **Field of Classification Search**
USPC D15/199; D21/578-583, 621, 622;
D32/21; D34/34
CPC B23K 9/133; B23K 9/287; B25J 9/0018;
B25J 19/0025; Y10T 74/20; Y10T
74/20207; Y10T 74/20311; Y10T
74/20305; Y10S 901/01
See application file for complete search history.

- (56) **References Cited**
U.S. PATENT DOCUMENTS
4,496,274 A * 1/1985 Pipes B66F 9/063
414/340
4,657,463 A * 4/1987 Pipes B62D 1/24
180/167

(Continued)

Primary Examiner — Patricia A Palasik
(74) *Attorney, Agent, or Firm* — Hayes Soloway P.C.

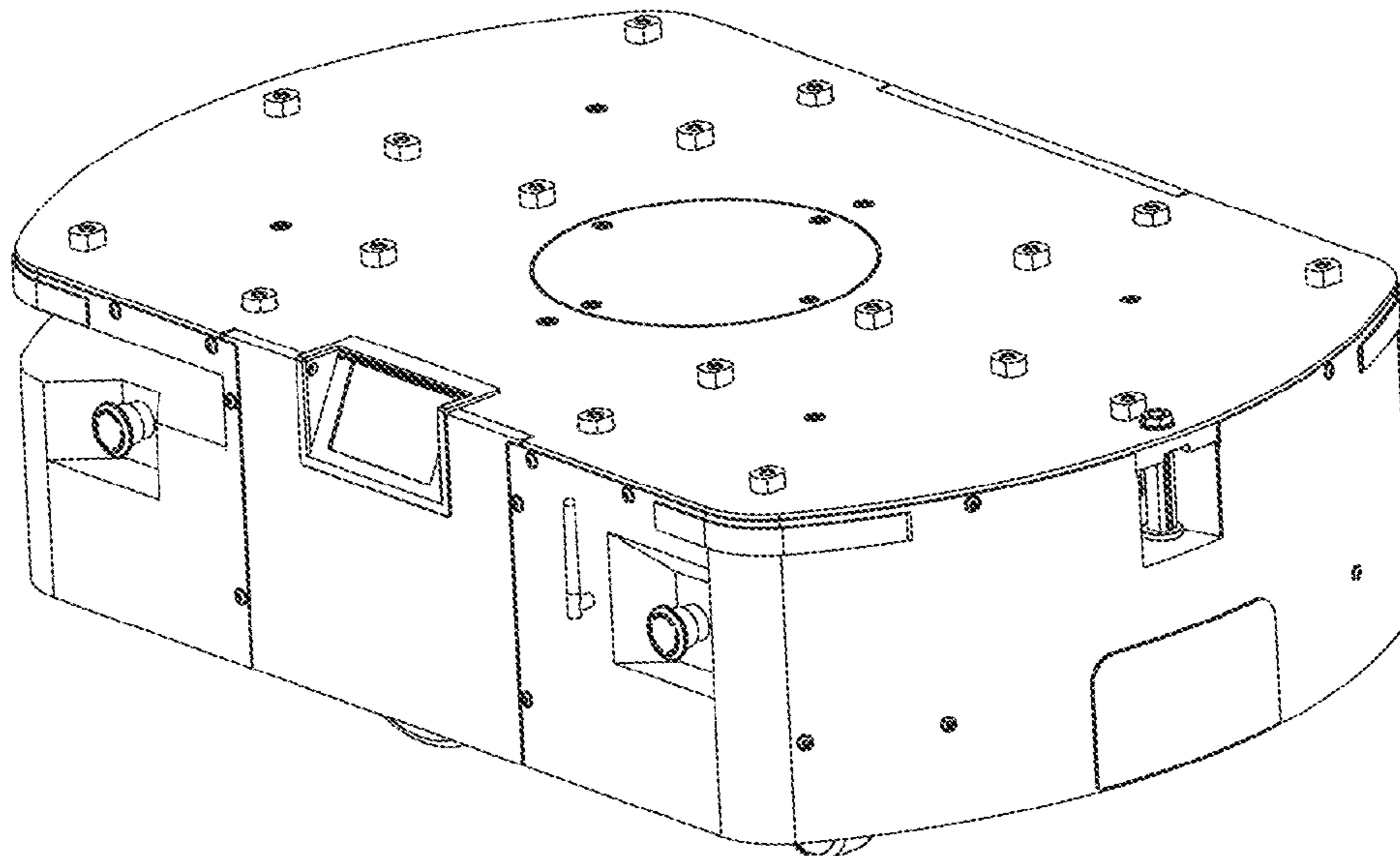
(57) **CLAIM**

We claim the ornamental design for industrial robot, as shown and described.

DESCRIPTION

FIG. 1 is a front view of an industrial robot;
FIG. 2 is a rear view thereof;
FIG. 3 is a right side view thereof;
FIG. 4 is a left side view thereof;
FIG. 5 is a top view thereof;
FIG. 6 is a left perspective view thereof; and,
FIG. 7 is a right perspective view thereof.

1 Claim, 7 Drawing Sheets



(56)

References Cited

U.S. PATENT DOCUMENTS

2010/0316468 A1* 12/2010 Lert B65G 1/1373
414/273
2014/0074287 A1* 3/2014 LaFary B25J 9/1676
700/253
2015/0073589 A1* 3/2015 Khodl B65G 1/1378
700/218
2017/0337506 A1* 11/2017 Wise G06Q 10/087
2018/0072212 A1* 3/2018 Alfaro G05D 1/0278
2018/0099811 A1* 4/2018 Shen B66F 9/063

* cited by examiner

FIG. 1

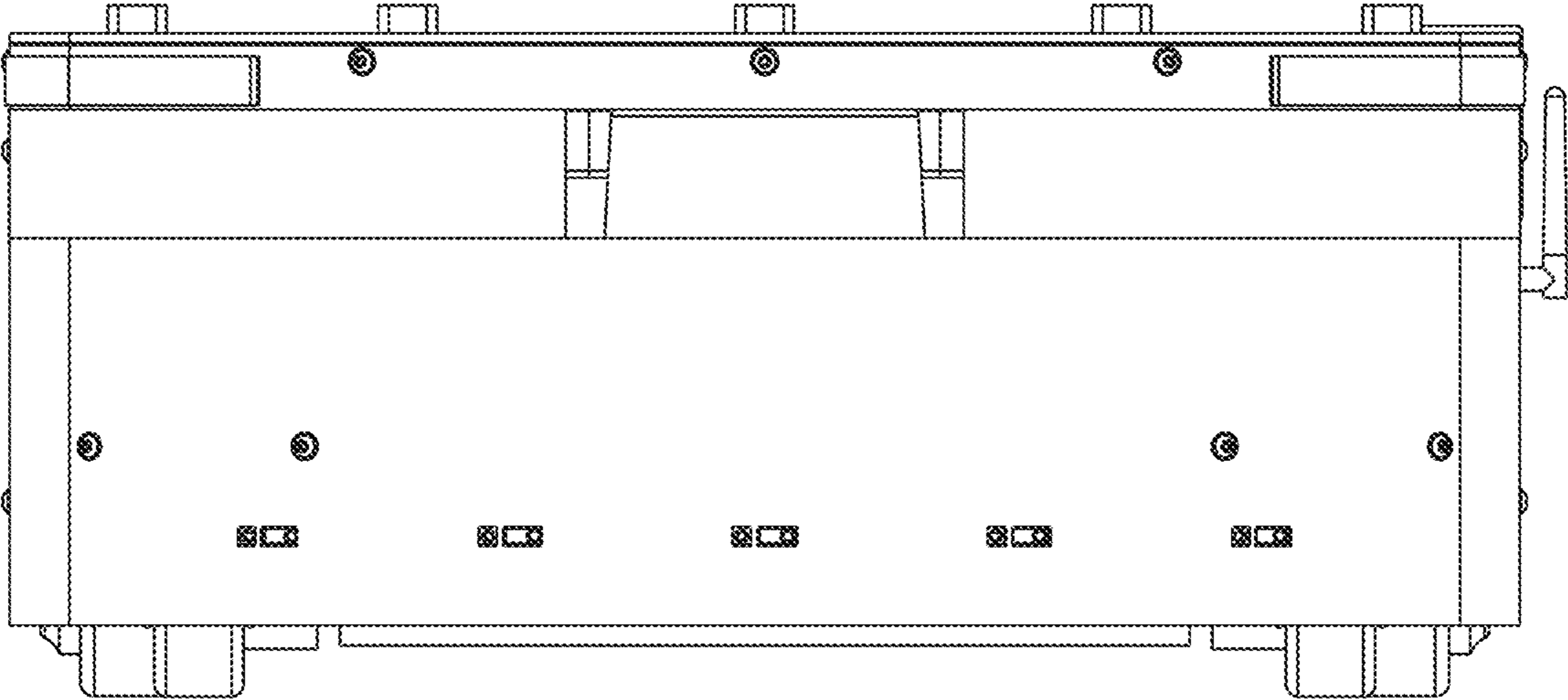


FIG.2

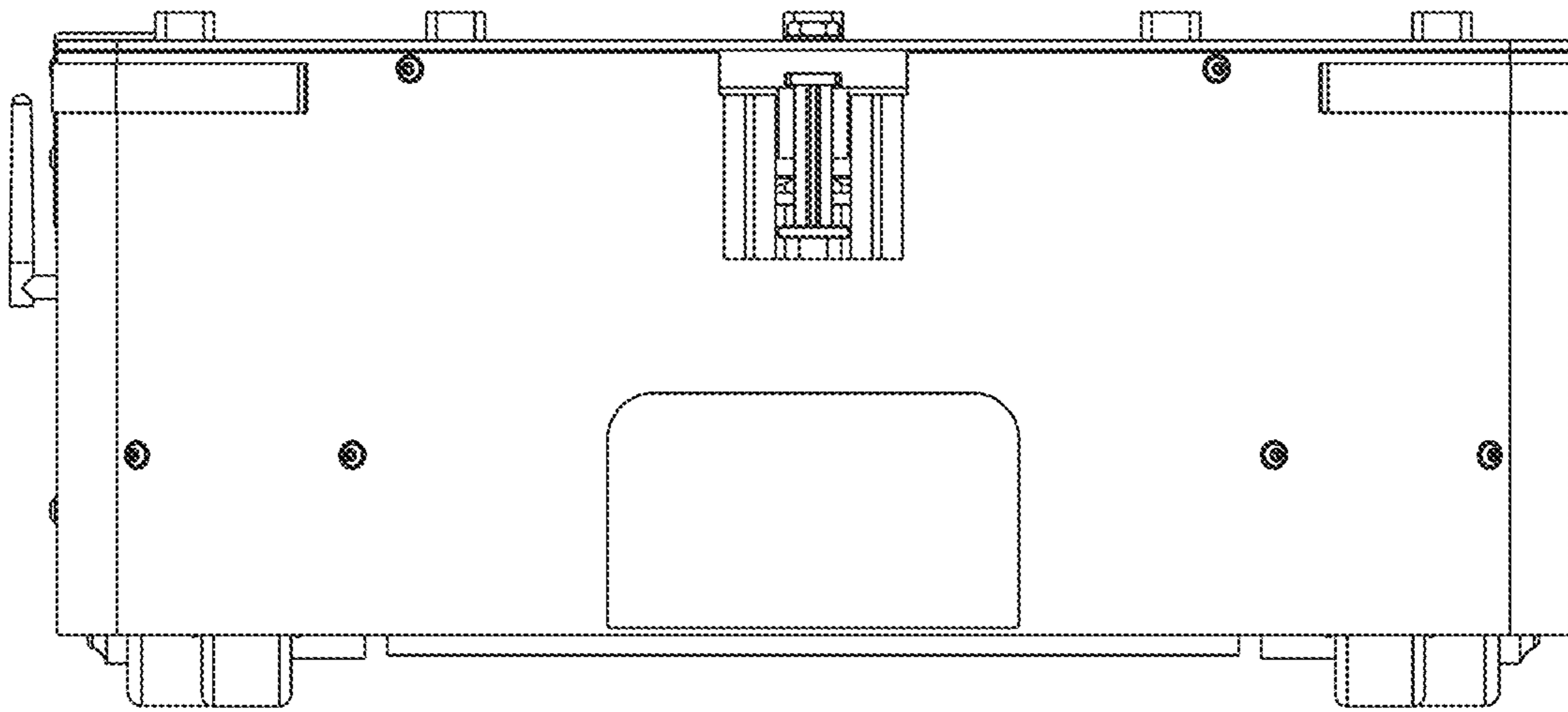


FIG.3

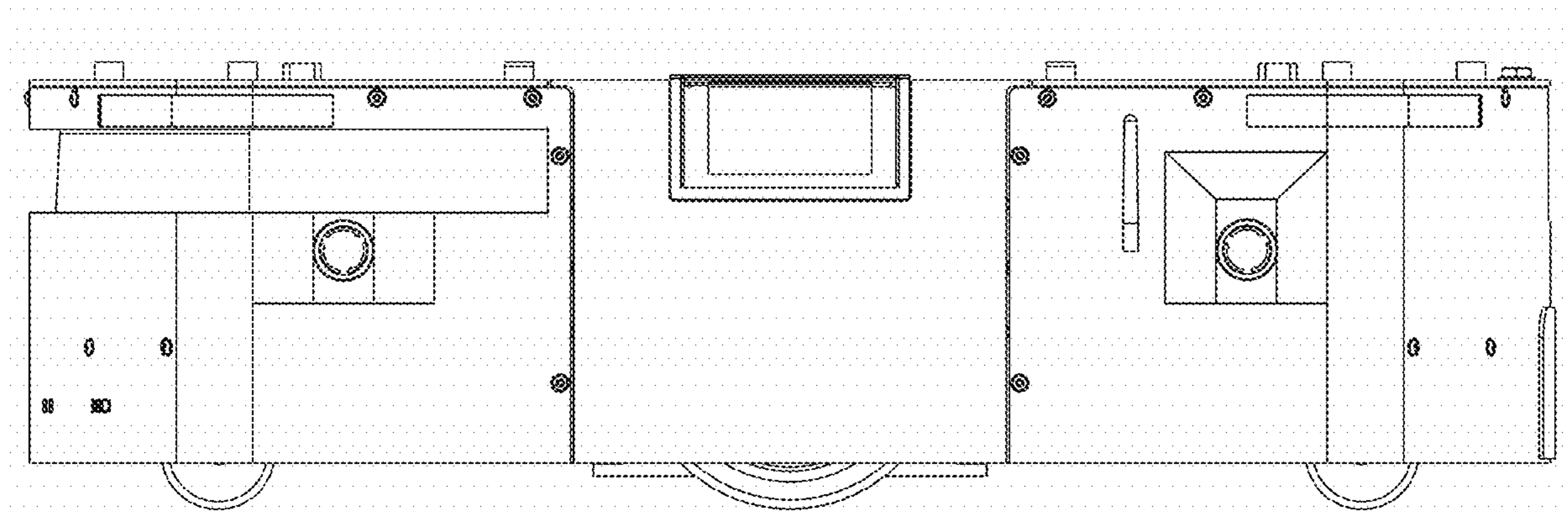


FIG.4

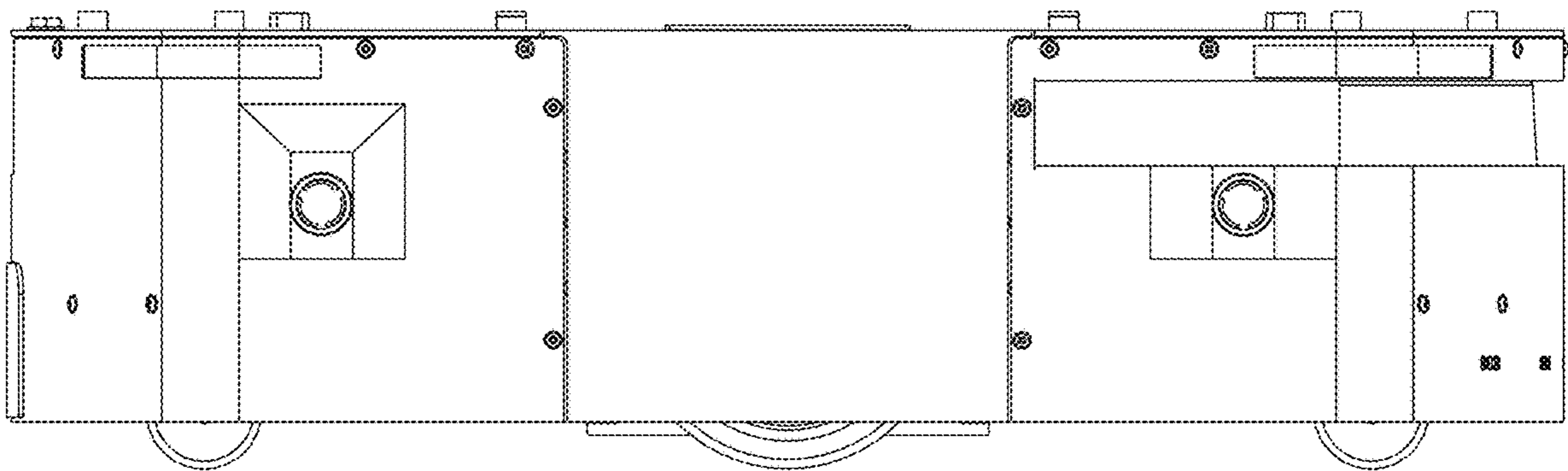


FIG.5

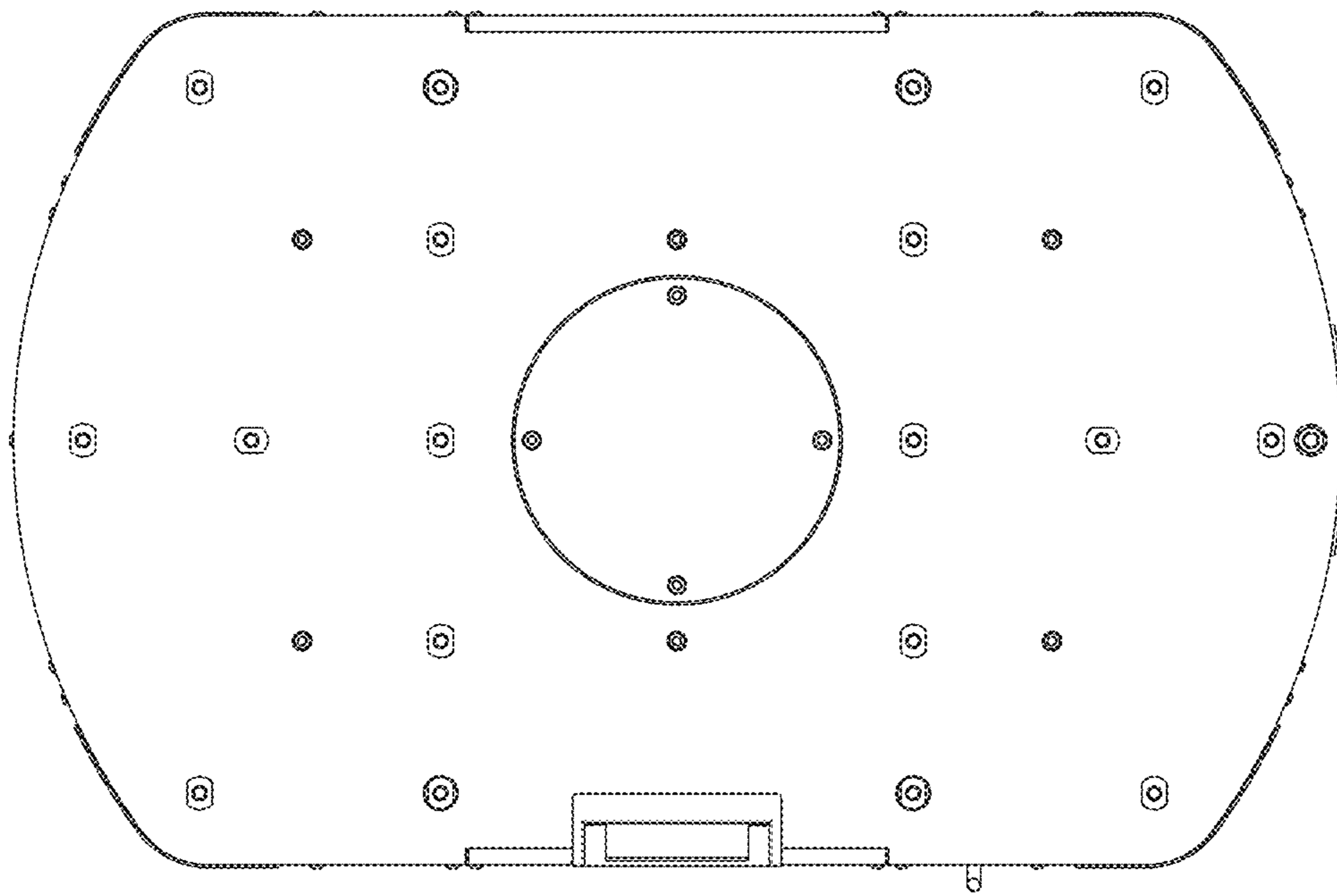


FIG. 6

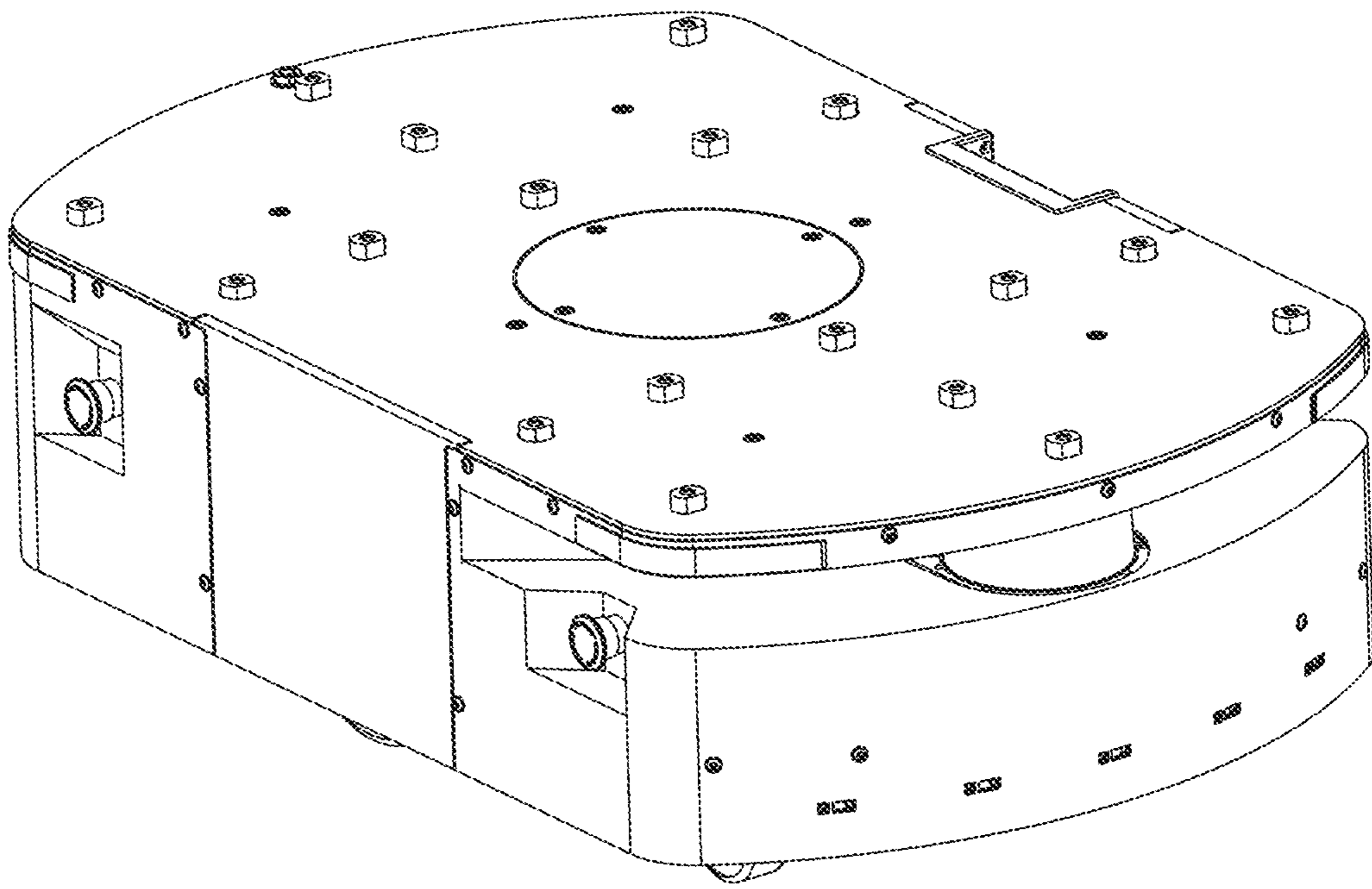


FIG. 7

