



US00D924290S

(12) **United States Design Patent** (10) **Patent No.:** **US D924,290 S**
Eurich et al. (45) **Date of Patent:** **** Jul. 6, 2021**

- (54) **VACUUM SEALER**
- (71) Applicant: **Sunbeam Products, Inc.**, Boca Raton, FL (US)
- (72) Inventors: **Sean T Eurich**, Portage, MI (US);
Christian S Leyden, Portage, MI (US);
Marcel A Souza, Kalamazoo (BR)
- (73) Assignee: **Sunbeam Products, Inc.**, Boca Raton, FL (US)
- (**) Term: **15 Years**
- (21) Appl. No.: **29/703,531**
- (22) Filed: **Aug. 28, 2019**
- (51) **LOC (13) Cl.** **15-99**
- (52) **U.S. Cl.**
USPC **D15/146**
- (58) **Field of Classification Search**
USPC D7/609; D8/49, 50; D15/145, 146;
D18/51, 53, 54
CPC B65B 31/046; B29C 65/223; B29C
66/43121; B29C 66/849; B29C 66/00145
See application file for complete search history.

- (56) **References Cited**
- U.S. PATENT DOCUMENTS
- | | | | | | |
|-----------|------|---------|----------|-------|-----------------------|
| 7,197,861 | B2 * | 4/2007 | Higer | | B65B 31/00
53/405 |
| 7,204,067 | B2 * | 4/2007 | Baptista | | B65B 31/046
53/405 |
| D663,331 | S * | 7/2012 | Day | | D15/146 |
| D669,080 | S * | 10/2012 | Iwai | | D14/422 |
| D669,081 | S * | 10/2012 | Iwai | | D14/422 |
| D682,328 | S * | 5/2013 | Day | | D15/146 |
| D682,329 | S * | 5/2013 | Day | | D15/146 |
| D686,649 | S * | 7/2013 | Zhou | | D15/146 |
| D687,079 | S * | 7/2013 | Mueller | | D15/146 |
| D694,794 | S * | 12/2013 | Cumming | | D15/146 |

- | | | | | | |
|--------------|------|--------|-----------|-------|--------------------------|
| D699,726 | S * | 2/2014 | Seki | | D14/422 |
| D700,908 | S * | 3/2014 | Taniho | | D14/422 |
| 9,021,771 | B2 * | 5/2015 | Liu | | B29C 66/43121
53/434 |
| D763,334 | S * | 8/2016 | Yoshitomi | | D15/146 |
| D780,181 | S * | 2/2017 | Peng | | D14/422 |
| D788,199 | S * | 5/2017 | Owens | | D15/146 |
| D789,431 | S * | 6/2017 | Owens | | D15/146 |
| D847,226 | S * | 4/2019 | Owens | | D15/134 |
| D854,065 | S * | 7/2019 | Owens | | D15/146 |
| 10,392,146 | B2 * | 8/2019 | Ledger | | B65B 51/146 |
| 2005/0022471 | A1 * | 2/2005 | Higer | | F04B 49/022
53/434 |
| 2005/0022474 | A1 * | 2/2005 | Albritton | | B29C 65/223
53/434 |
| 2005/0029152 | A1 * | 2/2005 | Brakes | | B65B 51/146
206/524.8 |

* cited by examiner

Primary Examiner — Michael C Stout
Assistant Examiner — Fritzgerald L Butac

(57) **CLAIM**

The ornamental design for the vacuum sealer, as shown and described.

DESCRIPTION

This application is a continuation of U.S. patent application Ser. No. 29/691,021, filed May 13, 2019, the entire disclosure of which is incorporated herein by reference.

FIG. 1 is a front perspective view of the vacuum sealer with the top in a closed position;
FIG. 2 is a front view thereof;
FIG. 3 is a rear view thereof;
FIG. 4 is a left view thereof;
FIG. 5 is a right view thereof;
FIG. 6 is a top view thereof; and,
FIG. 7 is a bottom view thereof;
The broken lines depict portions of the vacuum seal that form no part of the claimed design.

1 Claim, 6 Drawing Sheets

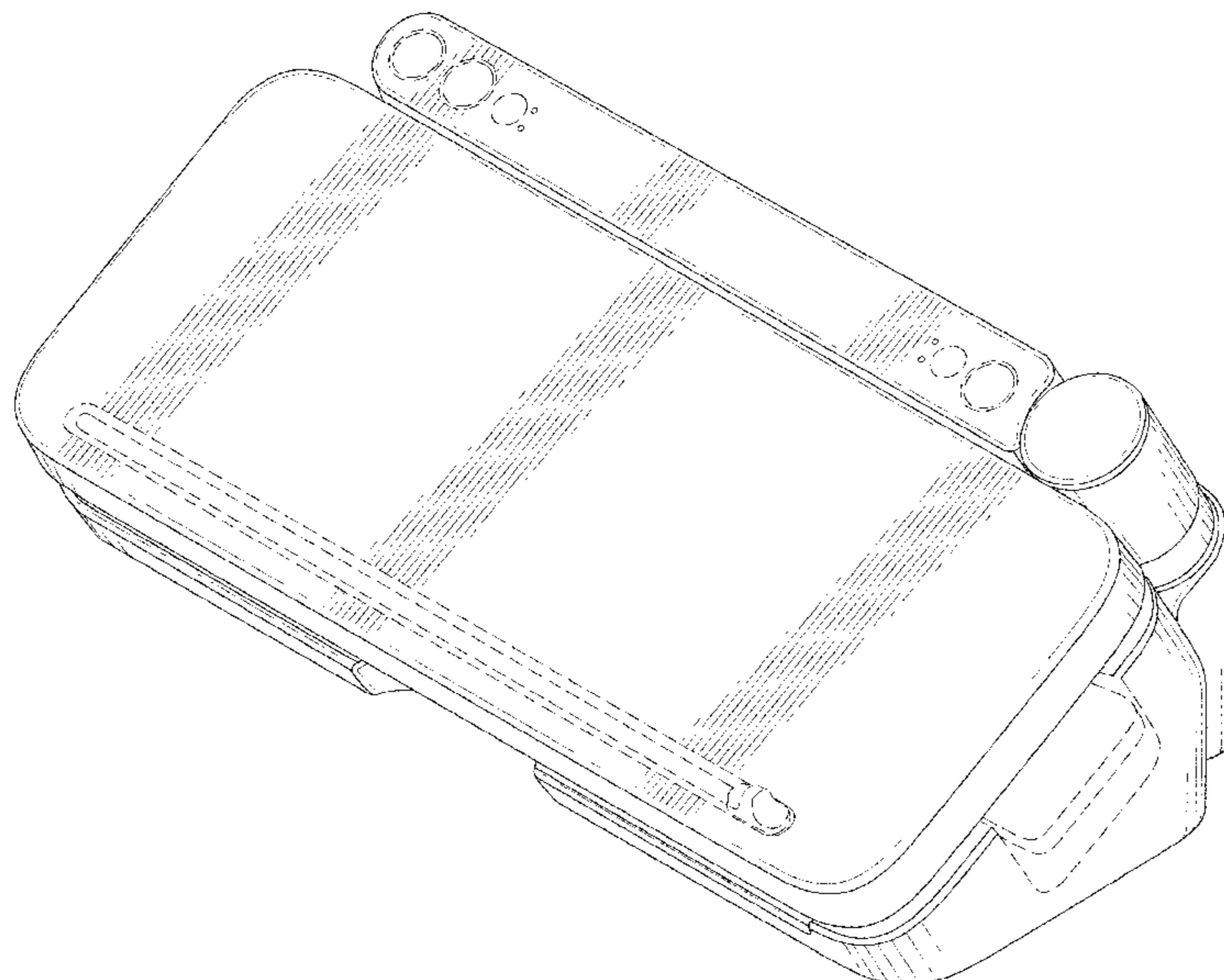


FIG. 1

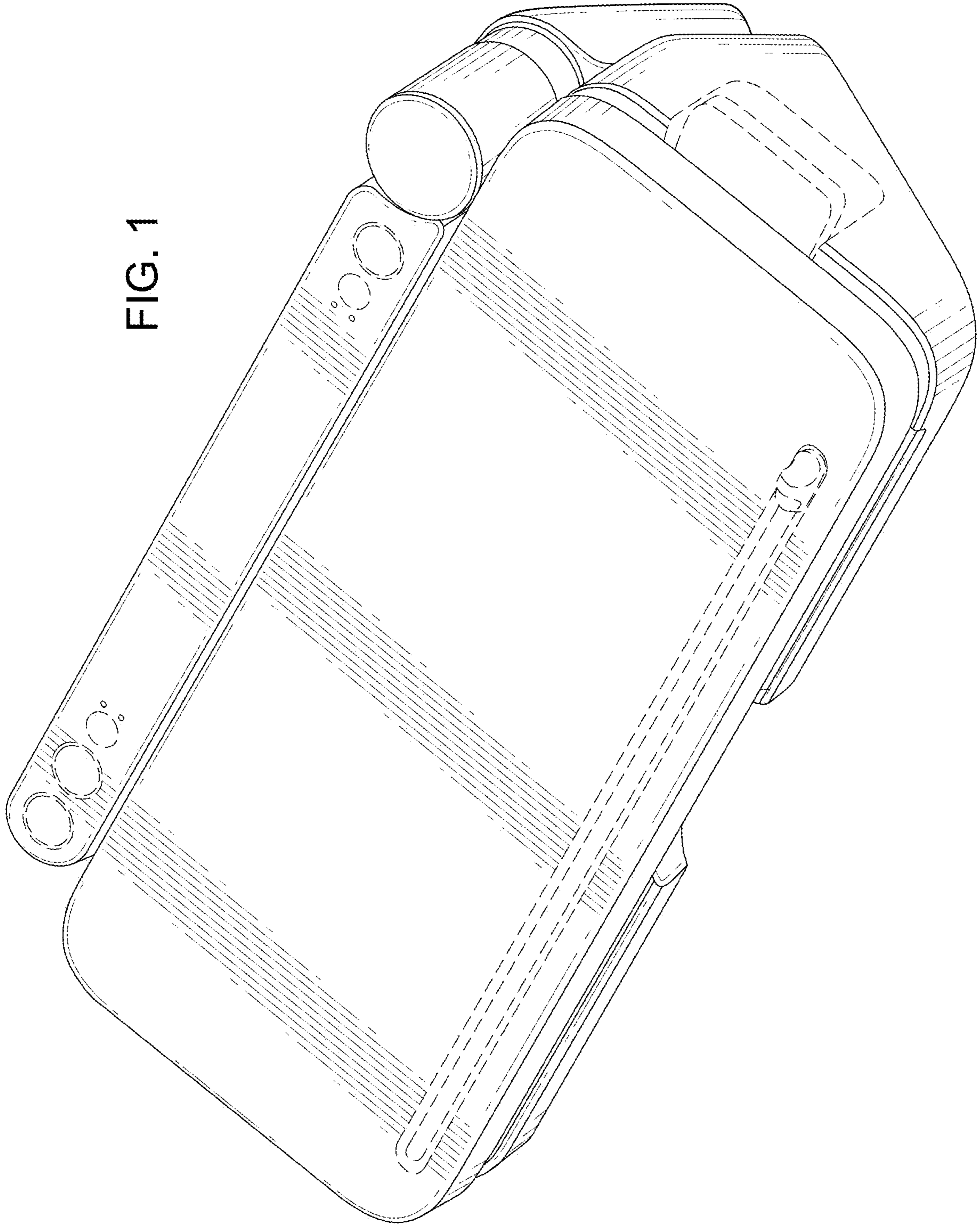


FIG. 2

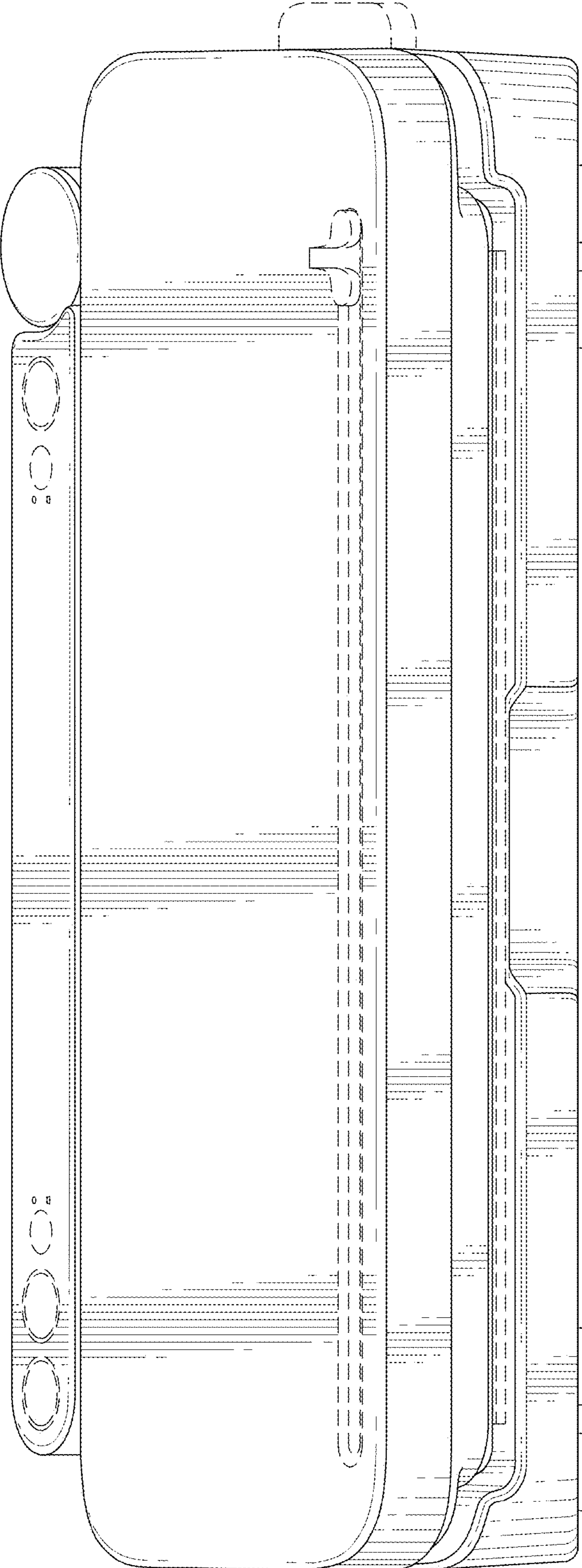
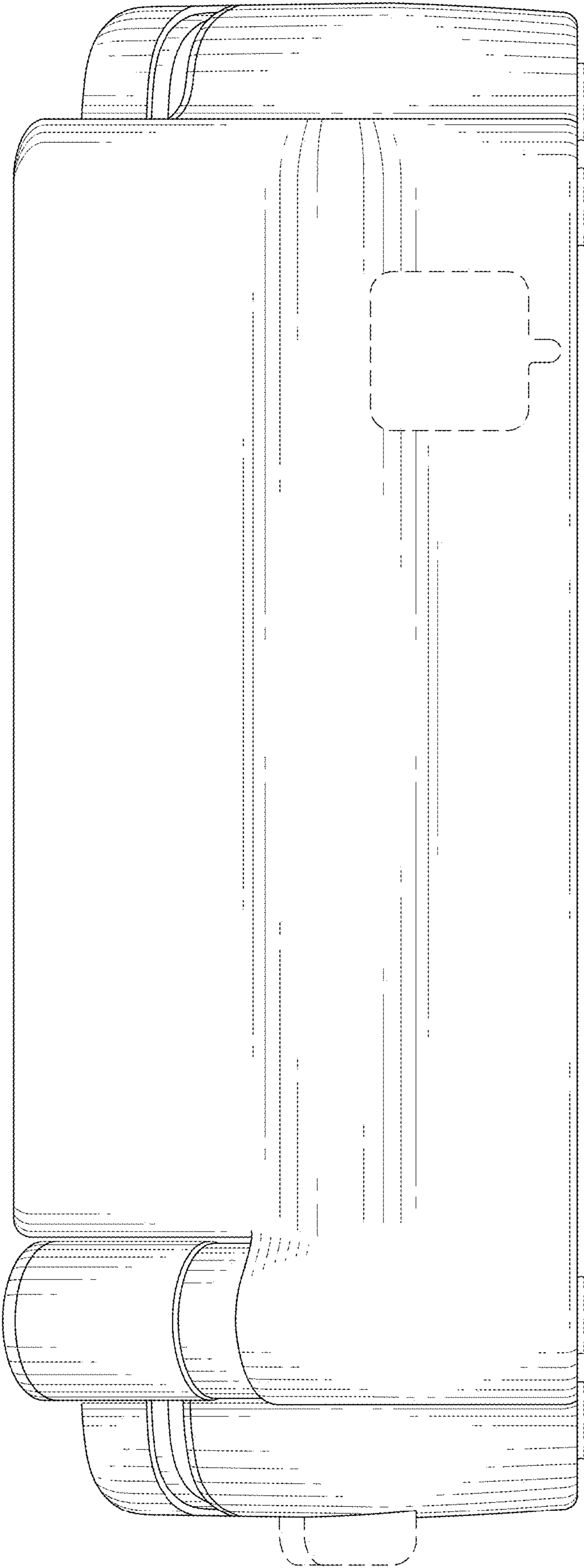


FIG. 3



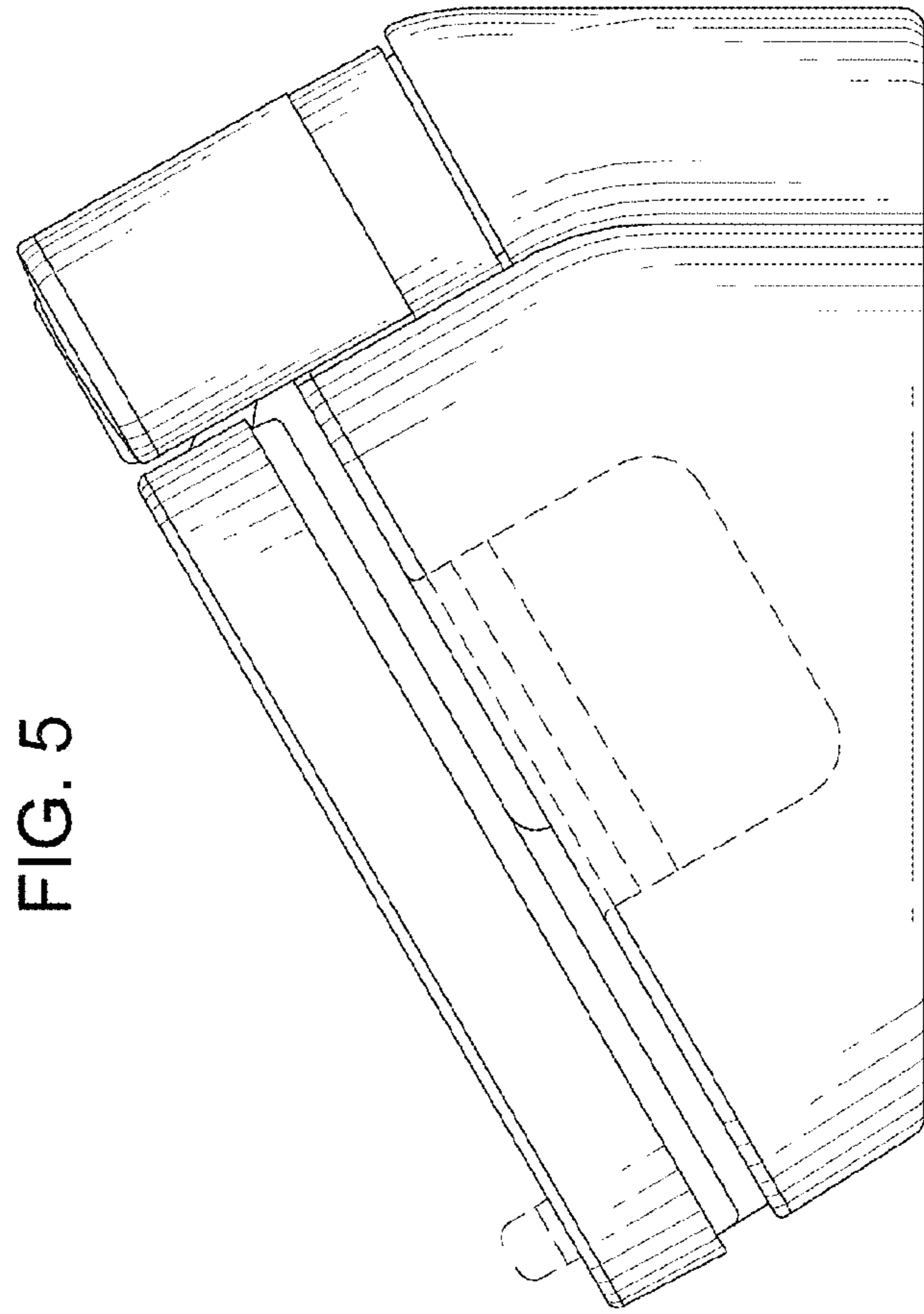


FIG. 5

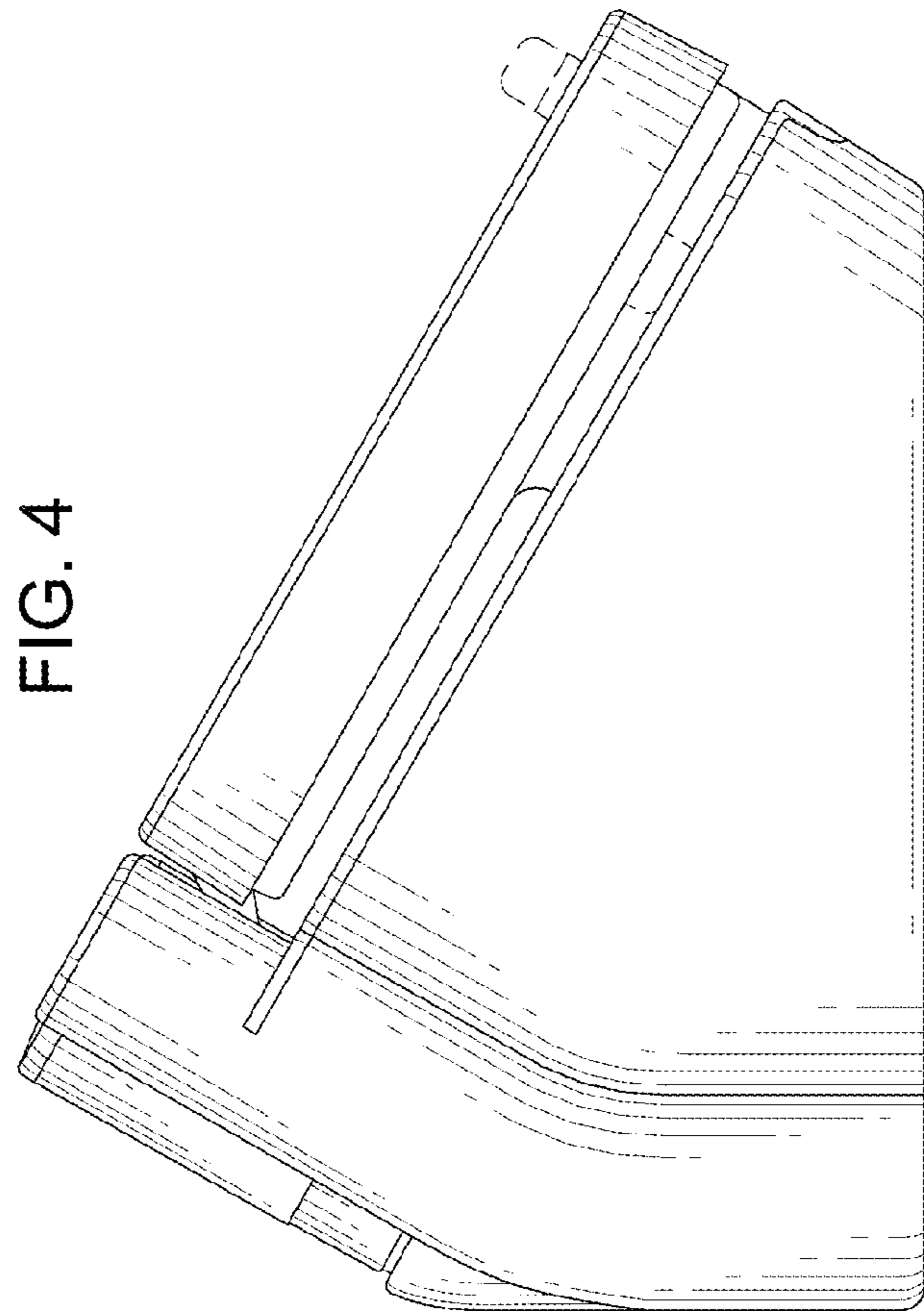


FIG. 4

FIG. 6

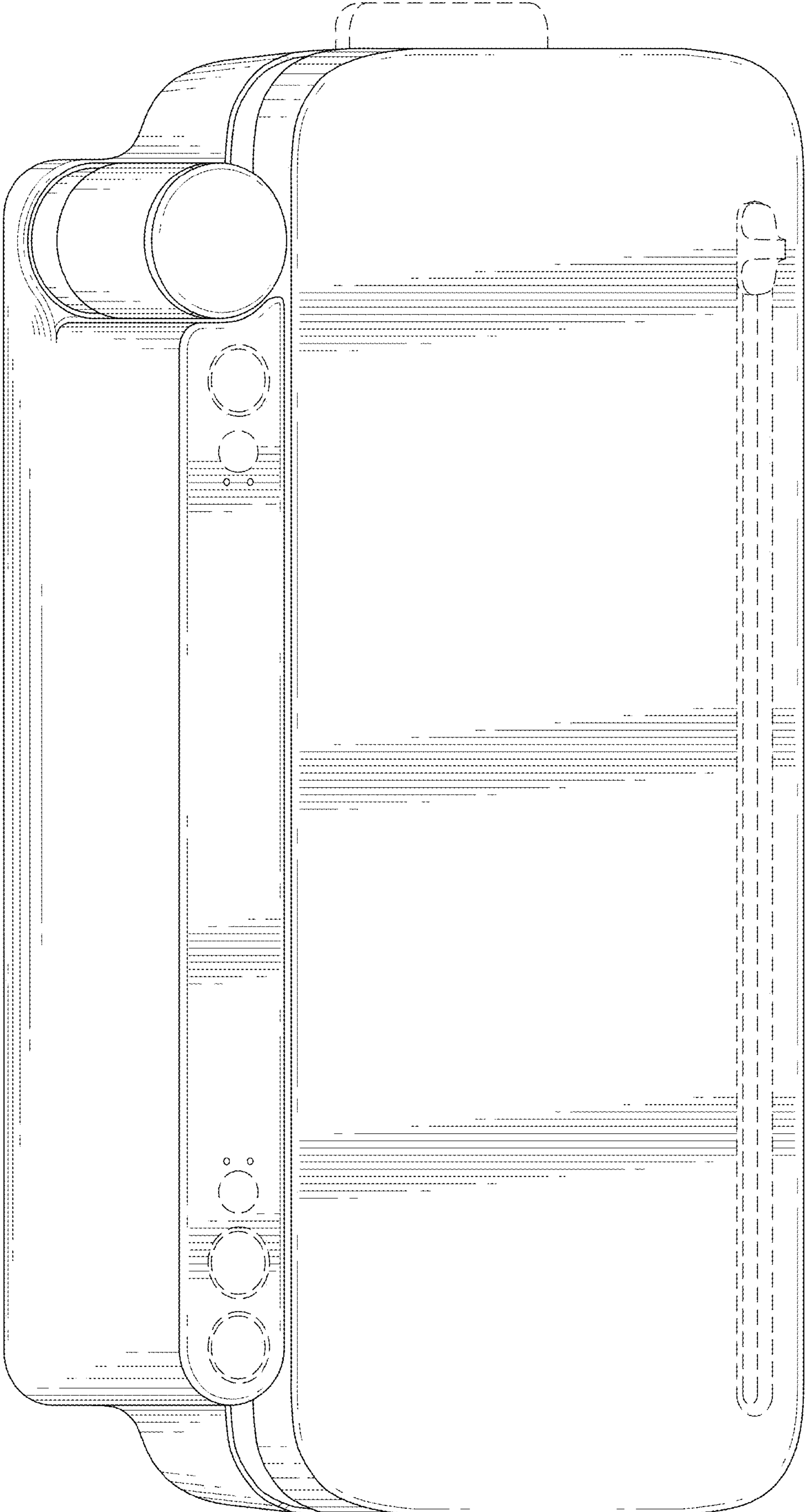


FIG. 7

