



US00D924289S

(12) **United States Design Patent**  
**Nelson**

(10) **Patent No.:** **US D924,289 S**

(45) **Date of Patent:** **\*\* Jul. 6, 2021**

- (54) **ROLL HOLDING APPARATUS**
- (71) Applicant: **Encore Packaging LLC**, Lake Bluff, IL (US)
- (72) Inventor: **Timothy H. Nelson**, Winnetka, IL (US)
- (73) Assignee: **ENCORE PACKAGING LLC**, Lake Bluff, IL (US)

(\*\*) Term: **15 Years**

(21) Appl. No.: **29/650,197**

(22) Filed: **Jun. 5, 2018**

(51) **LOC (13) Cl.** ..... **15-99**

(52) **U.S. Cl.**  
USPC ..... **D15/145**

(58) **Field of Classification Search**  
USPC ..... D8/20, 47, 66, 92, 98, 101, 300,  
D8/310-312, 352; D15/122, 126, 127,  
D15/130, 131, 138, 139, 140, 145  
CPC ..... B65B 11/006; B65B 11/025; B65B  
2011/002; B65B 2210/14  
See application file for complete search history.

(56) **References Cited**

**U.S. PATENT DOCUMENTS**

|              |         |           |       |         |
|--------------|---------|-----------|-------|---------|
| D299,353 S * | 1/1989  | Goldstein | ..... | D15/145 |
| D299,654 S * | 1/1989  | Goldstein | ..... | D15/145 |
| D357,357 S * | 4/1995  | Ferber    | ..... | D15/142 |
| D366,051 S * | 1/1996  | Lewis     | ..... | D15/138 |
| D649,570 S * | 11/2011 | Chen      | ..... | D15/145 |
| D738,414 S * | 9/2015  | Chen      | ..... | D15/145 |
| D810,797 S * | 2/2018  | Love      | ..... | D15/145 |

|                   |         |         |       |             |
|-------------------|---------|---------|-------|-------------|
| D827,001 S *      | 8/2018  | Nelson  | ..... | D15/145     |
| D827,002 S *      | 8/2018  | Nelson  | ..... | D15/145     |
| D833,492 S *      | 11/2018 | Stevens | ..... | D15/145     |
| D844,037 S *      | 3/2019  | Stevens | ..... | D15/145     |
| D849,811 S *      | 5/2019  | Kubo    | ..... | D15/145     |
| D865,015 S *      | 10/2019 | Huang   | ..... | D15/145     |
| D878,436 S *      | 3/2020  | Dunaway | ..... | D15/139     |
| D885,449 S *      | 5/2020  | Stevens | ..... | D15/145     |
| 2018/0065827 A1 * | 3/2018  | Nelson  | ..... | B65B 67/085 |

\* cited by examiner

*Primary Examiner* — Michael C Stout

*Assistant Examiner* — Fritzgerald L Butac

(74) *Attorney, Agent, or Firm* — Fitch, Even, Tabin & Flannery LLP

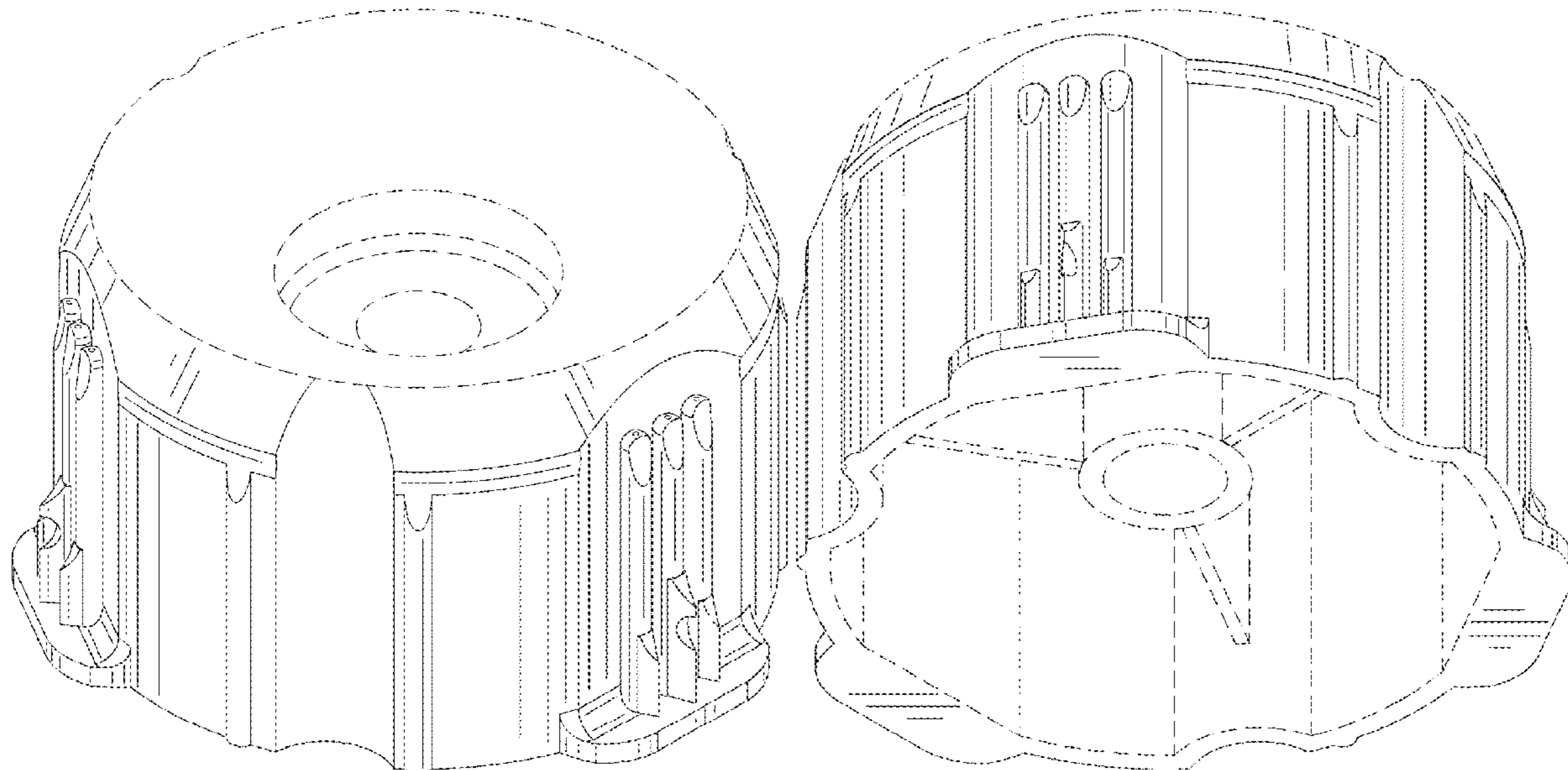
(57) **CLAIM**

I claim the ornamental design for a roll holding apparatus, as shown and described.

**DESCRIPTION**

FIG. 1 is a top perspective view of a roll holding apparatus in accordance with my new design;  
FIG. 2 is a bottom perspective view thereof;  
FIG. 3 is a front elevation view thereof;  
FIG. 4 is a rear elevation view thereof;  
FIG. 5 is a left side elevation view thereof;  
FIG. 6 is a right side elevation view thereof;  
FIG. 7 is a top plan view thereof; and,  
FIG. 8 is a bottom plan view thereof.  
The broken lines show portions of the roll holding apparatus that form no part of the claimed design.

**1 Claim, 6 Drawing Sheets**



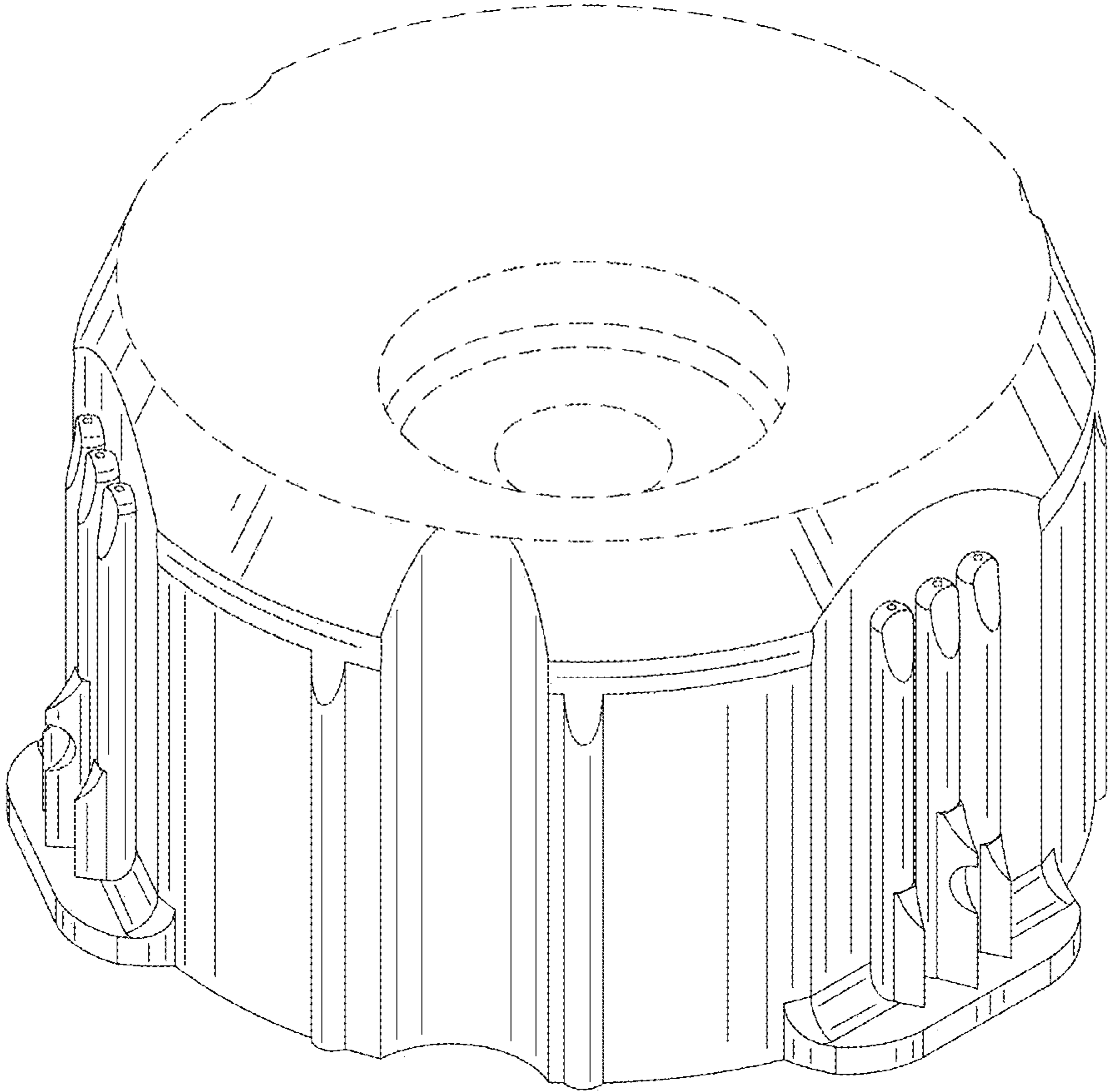


FIG. 1

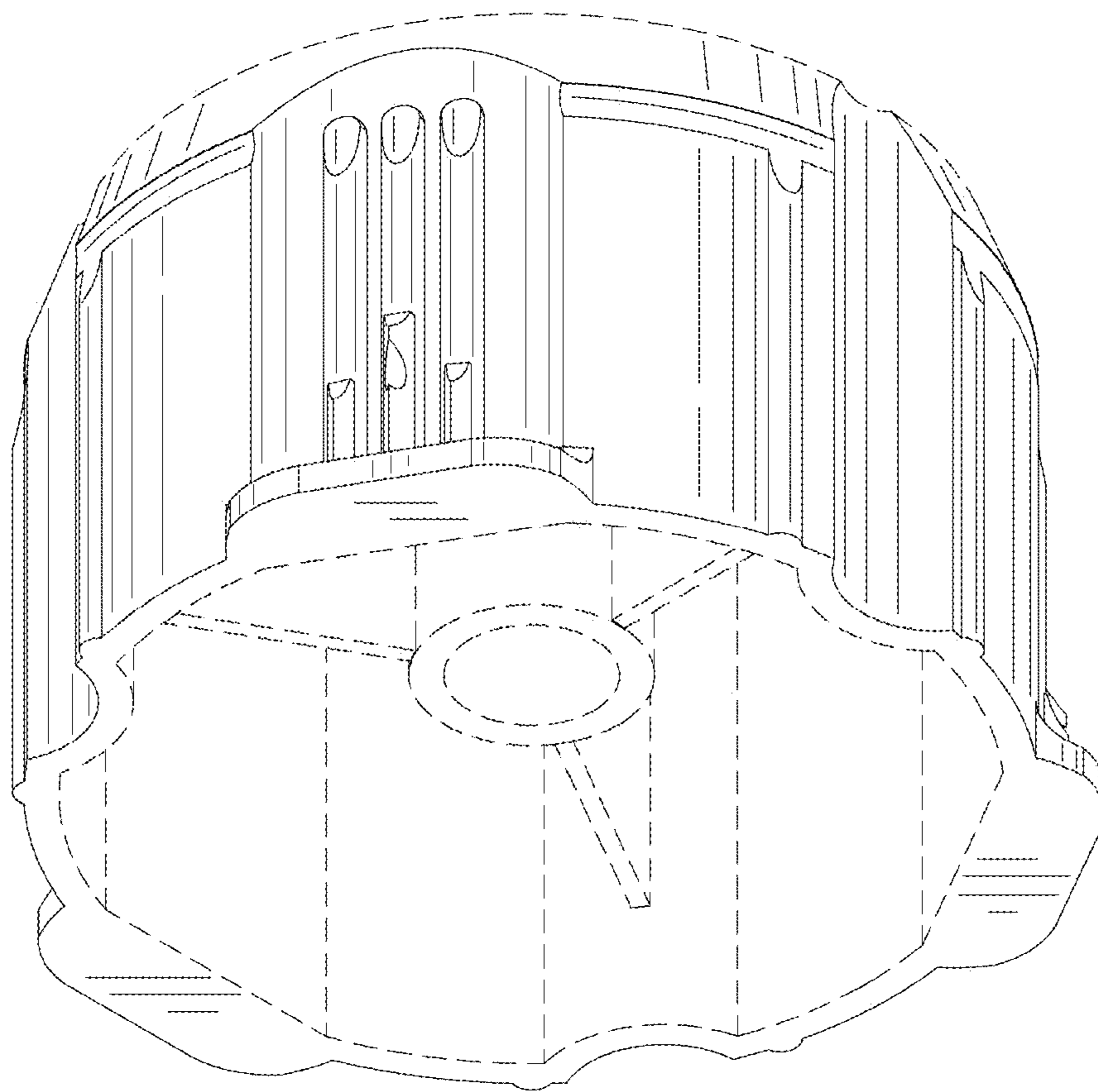


FIG. 2

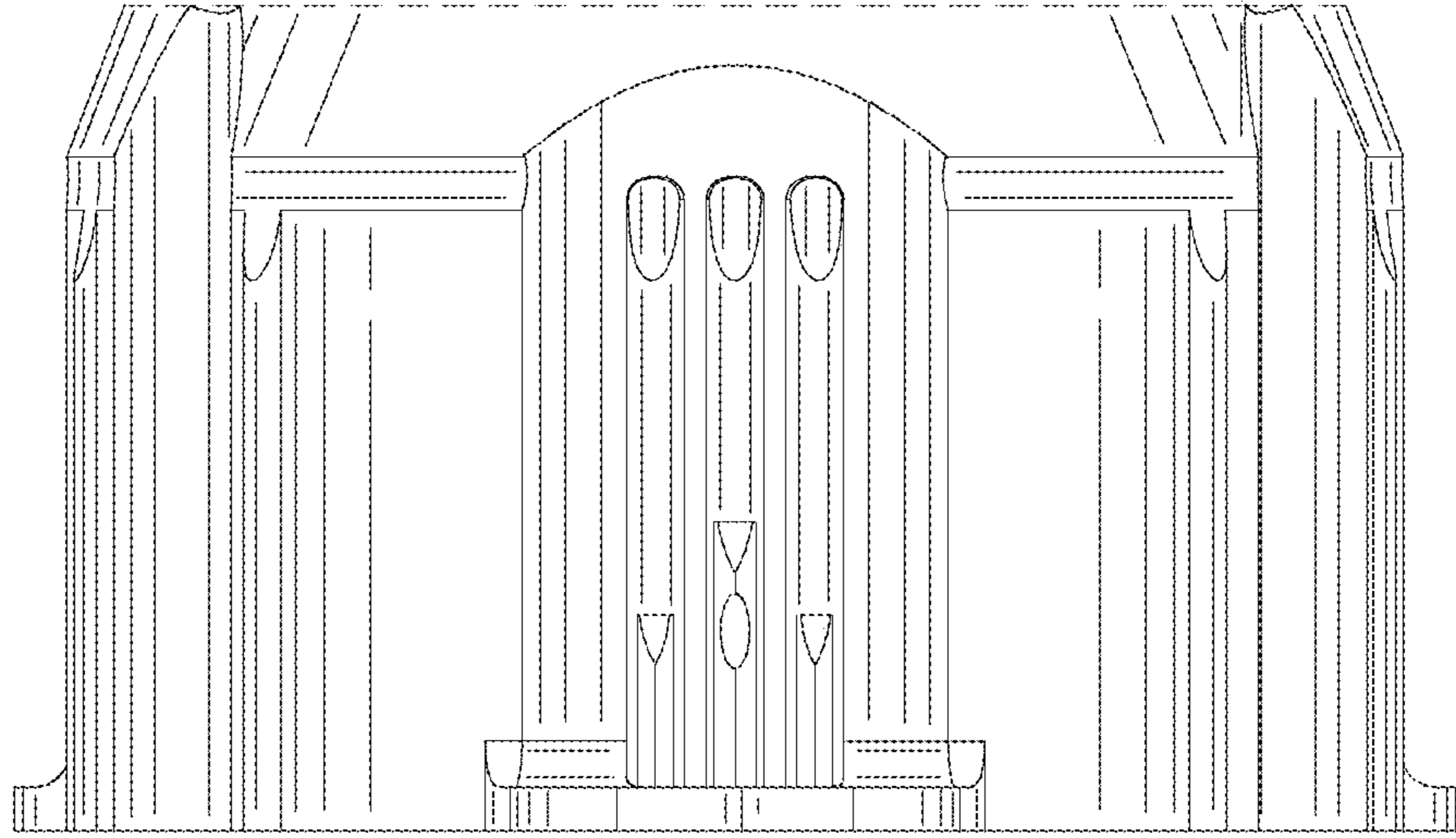


FIG. 3

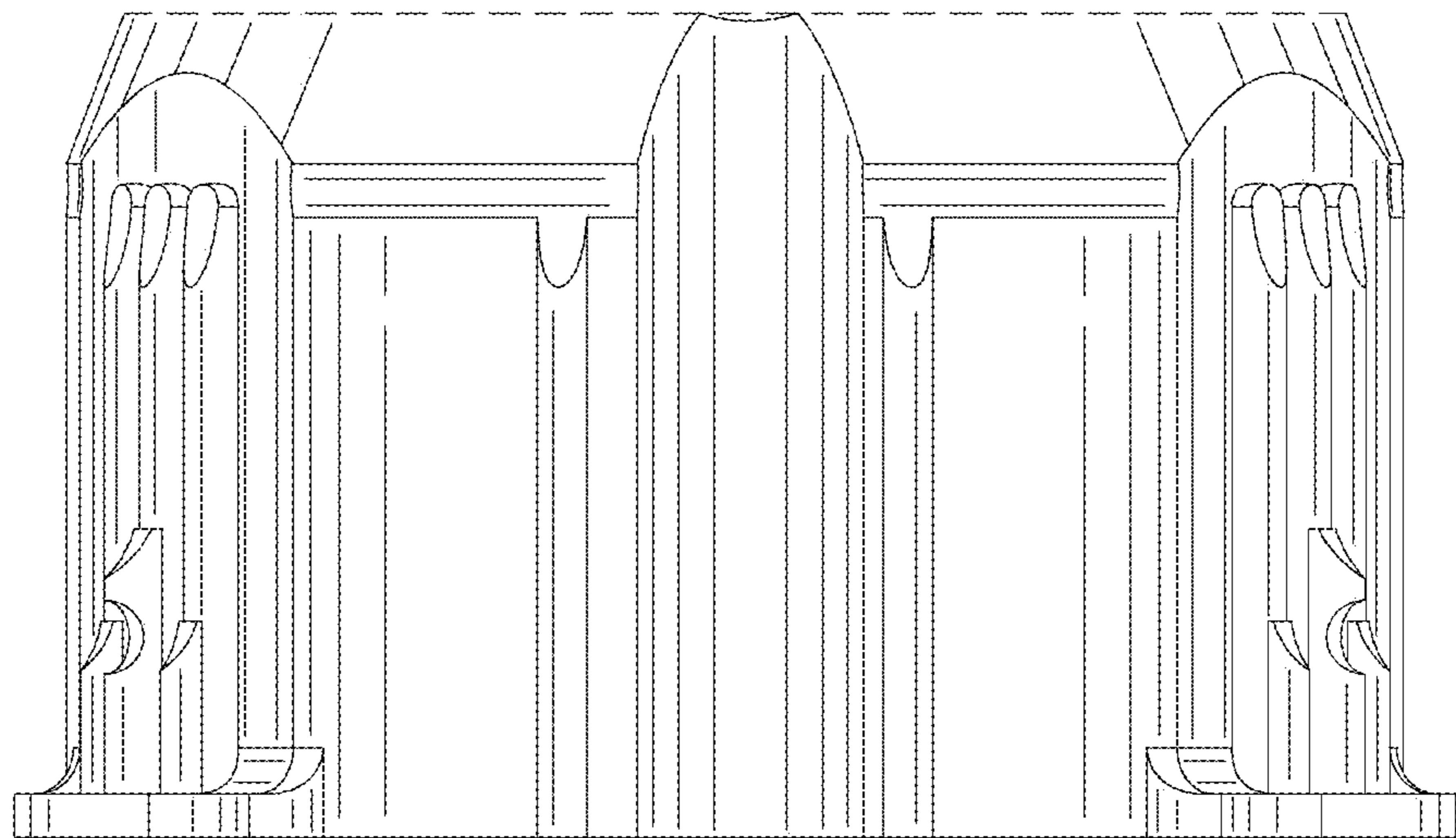


FIG. 4

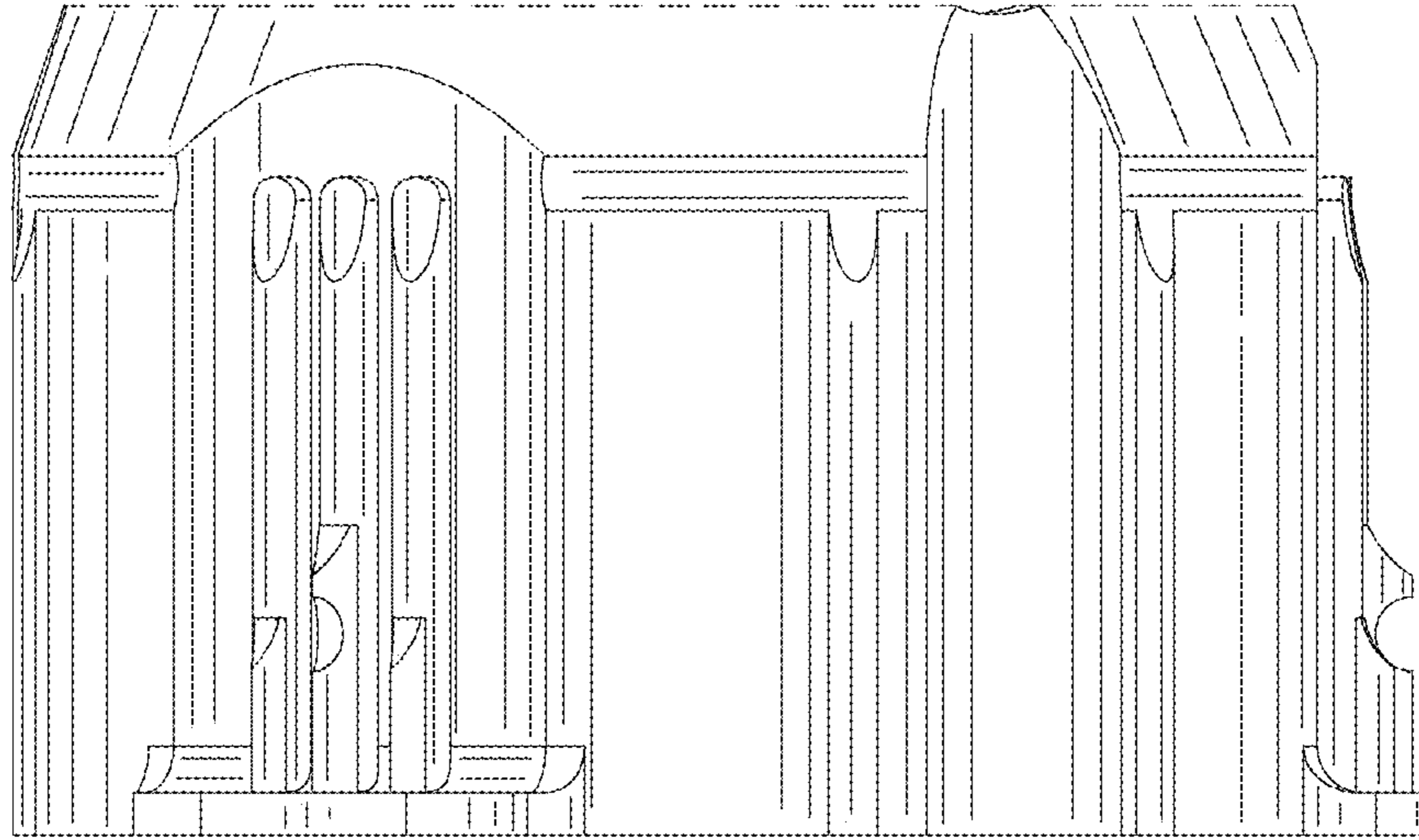


FIG. 5

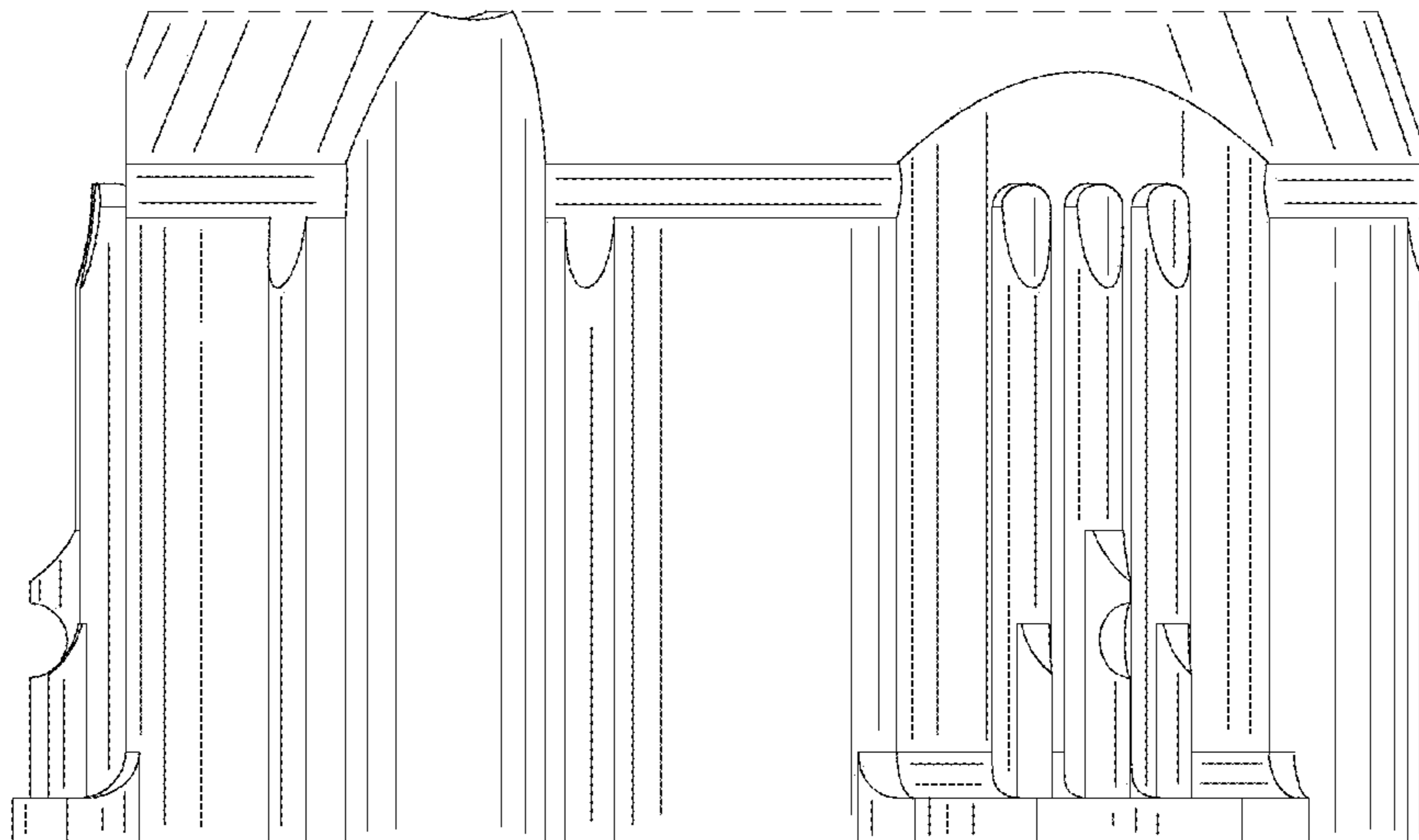


FIG. 6

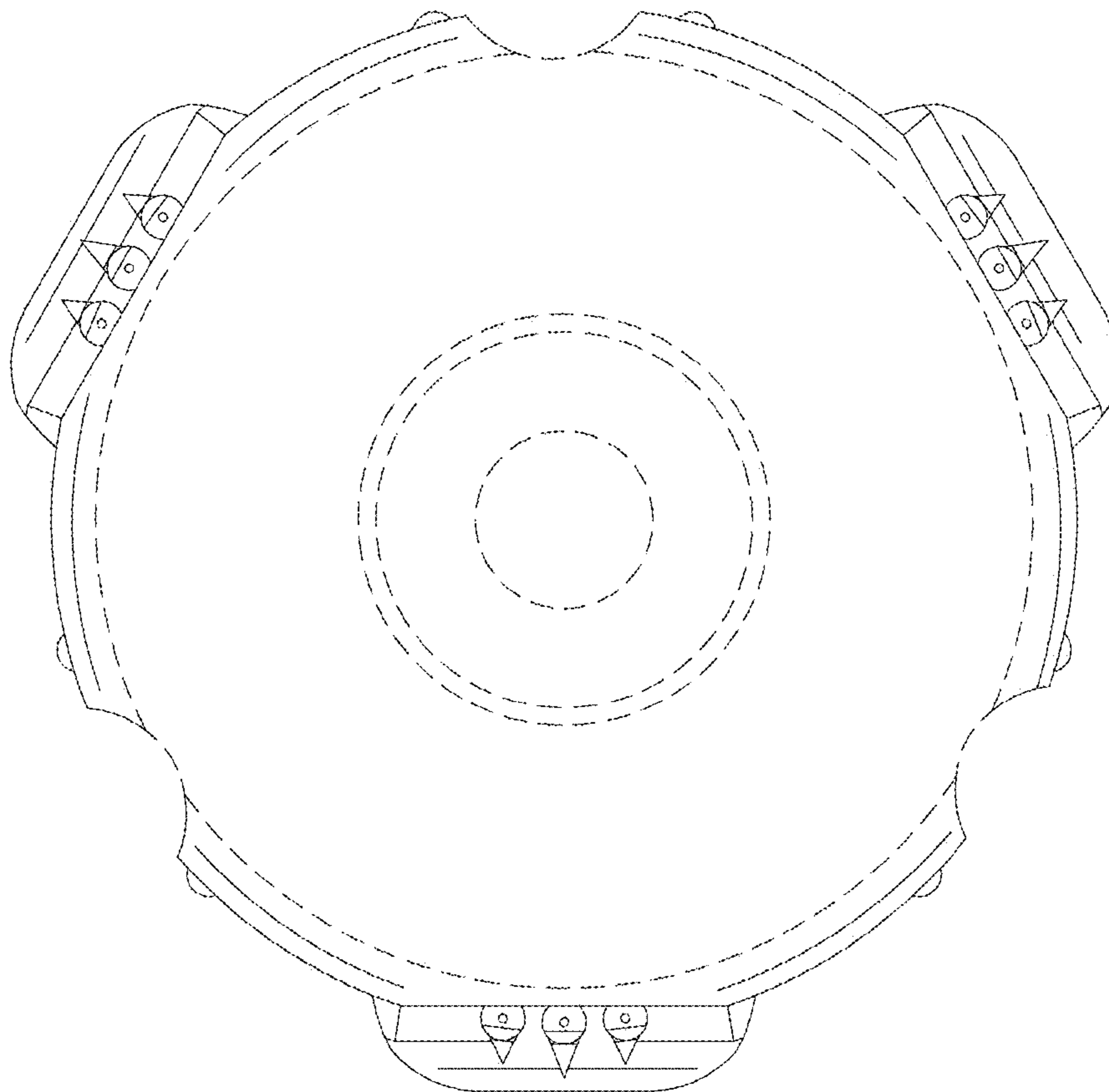


FIG. 7

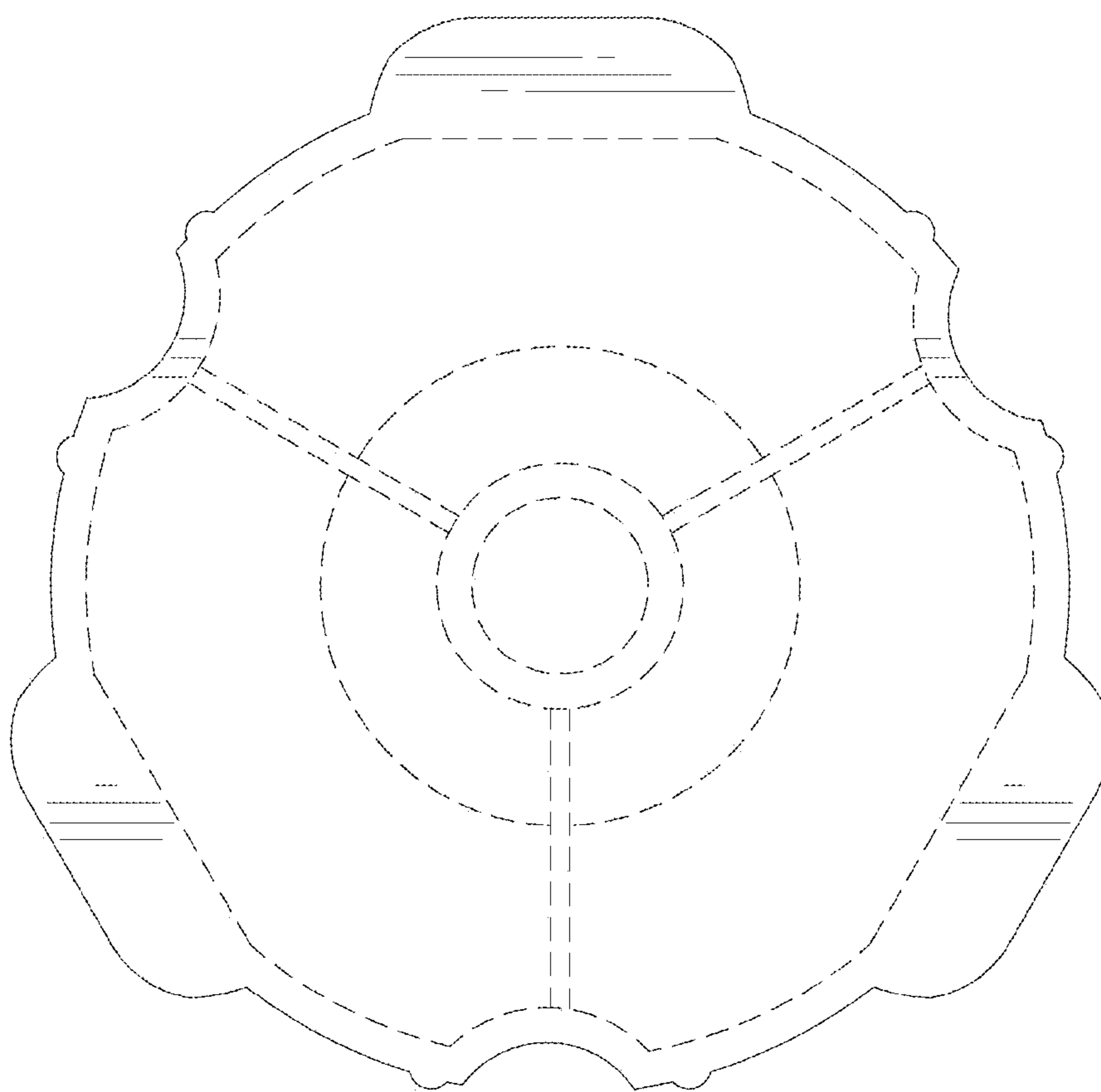


FIG. 8