



US00D924288S

(12) **United States Design Patent**
Lowther et al.

(10) **Patent No.:** **US D924,288 S**
(45) **Date of Patent:** **** Jul. 6, 2021**

(54) **WELDING/CUTTING ENCLOSURE**

(71) Applicant: **The ESAB Group Inc.**, Florence, SC
(US)

(72) Inventors: **Mark Lowther**, Warrington (GB);
Daryll Scott Evans, Winchester, VA
(US)

(73) Assignee: **The ESAB Group Inc.**, Florence, SC
(US)

(**) Term: **15 Years**

(21) Appl. No.: **29/705,594**

(22) Filed: **Sep. 13, 2019**

(51) **LOC (13) Cl.** **15-09**

(52) **U.S. Cl.**
USPC **D15/144**

(58) **Field of Classification Search**
USPC D8/29, 29.1, 30, 107; D14/162, 167,
D14/197, 198, 217, 257, 258; D15/144,
D15/144.1, 144.2
CPC B23K 9/025; B23K 9/092; B23K 9/1735;
B23K 28/02
See application file for complete search history.

(56) **References Cited**

U.S. PATENT DOCUMENTS

D520,038 S	*	5/2006	Ljungfeldt	D15/144.1
D654,519 S	*	2/2012	Wujczak	D15/144
D665,833 S	*	8/2012	Raymond	D15/144
D741,385 S	*	10/2015	Evans	D15/144
D744,019 S	*	11/2015	Evans	D15/144

(Continued)

Primary Examiner — Michael C Stout

Assistant Examiner — Fritzgerald L Butac

(74) *Attorney, Agent, or Firm* — Edell, Shapiro & Finnan,
LLC

(57) **CLAIM**

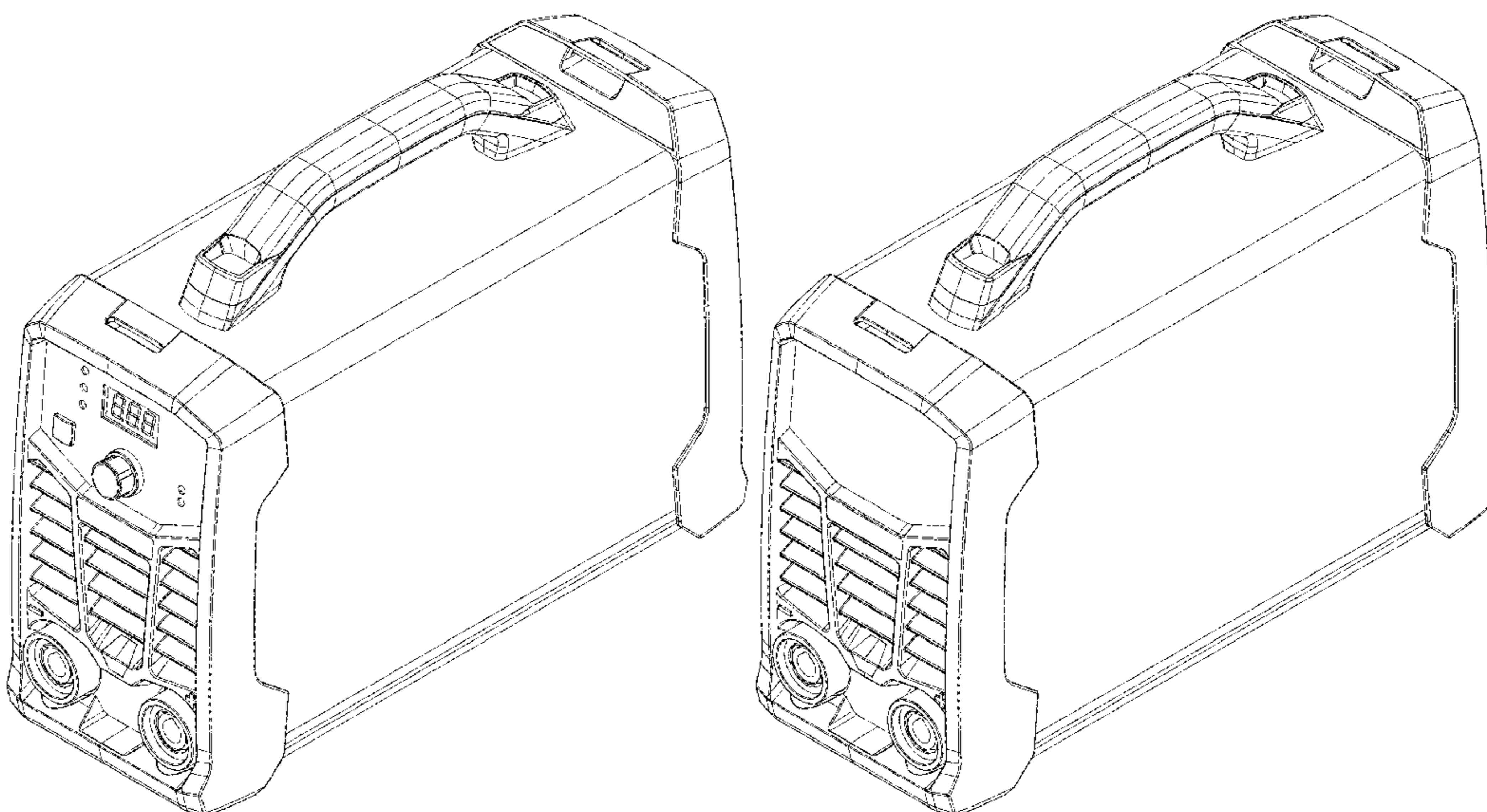
The ornamental design for a welding/cutting enclosure, as shown and described.

DESCRIPTION

FIG. 1 is a front perspective view of a welding/cutting enclosure according to the present invention;
 FIG. 2 is a rear perspective view of the welding/cutting enclosure of FIG. 1;
 FIG. 3 is a front view of the welding/cutting enclosure of FIG. 1;
 FIG. 4 is a rear view of the welding/cutting enclosure of FIG. 1;
 FIG. 5 is a right side view of the welding/cutting enclosure of FIG. 1;
 FIG. 6 is a left side view of the welding/cutting enclosure of FIG. 1;
 FIG. 7 is a top view of the welding/cutting enclosure of FIG. 1; and
 FIG. 8 is a bottom view of the welding/cutting enclosure of FIG. 1;
 FIG. 9 is a front perspective view of a second embodiment of the welding/cutting enclosure according to the present invention;
 FIG. 10 is a rear perspective view of the welding/cutting enclosure of FIG. 9;
 FIG. 11 is a front view of the welding/cutting enclosure of FIG. 9;
 FIG. 12 is a rear view of the welding/cutting enclosure of FIG. 9;
 FIG. 13 is a right side view of the welding/cutting enclosure of FIG. 9;
 FIG. 14 is a left side view of the welding/cutting enclosure of FIG. 9;
 FIG. 15 is a top view of the welding/cutting enclosure of FIG. 9; and,
 FIG. 16 is a bottom view of the welding/cutting enclosure of FIG. 9.

The broken lines show portions of a welding/cutting enclosure which form no part of the claimed design.

1 Claim, 12 Drawing Sheets



(56)

References Cited

U.S. PATENT DOCUMENTS

D752,665	S	*	3/2016	Kindig	D15/144
D754,626	S	*	4/2016	Evans	D15/144
D775,250	S	*	12/2016	Snead	D15/144
D810,161	S	*	2/2018	Snead	D15/144
D811,456	S	*	2/2018	Dekker	D15/144
D812,119	S	*	3/2018	Dekker	D15/144
D820,332	S	*	6/2018	Brusky	D15/144
D821,463	S	*	6/2018	Lin	D15/144
D821,465	S	*	6/2018	Lin	D15/144
D821,466	S	*	6/2018	Lin	D15/144
D829,788	S	*	10/2018	Lin	D15/144
D836,146	S	*	12/2018	Lin	D15/144
D839,328	S	*	1/2019	Lin	D15/144
D854,593	S	*	7/2019	Shu	D15/144
D855,092	S	*	7/2019	Shu	D15/144
D862,544	S	*	10/2019	Lin	D15/144
D868,126	S	*	11/2019	Shu	D15/144
10,478,912	B2	*	11/2019	Evans	B23K 9/32
10,625,359	B2	*	4/2020	Nadler	B23K 9/0956
D884,042	S	*	5/2020	Shu	D15/144
D884,758	S	*	5/2020	Shu	D15/144

* cited by examiner

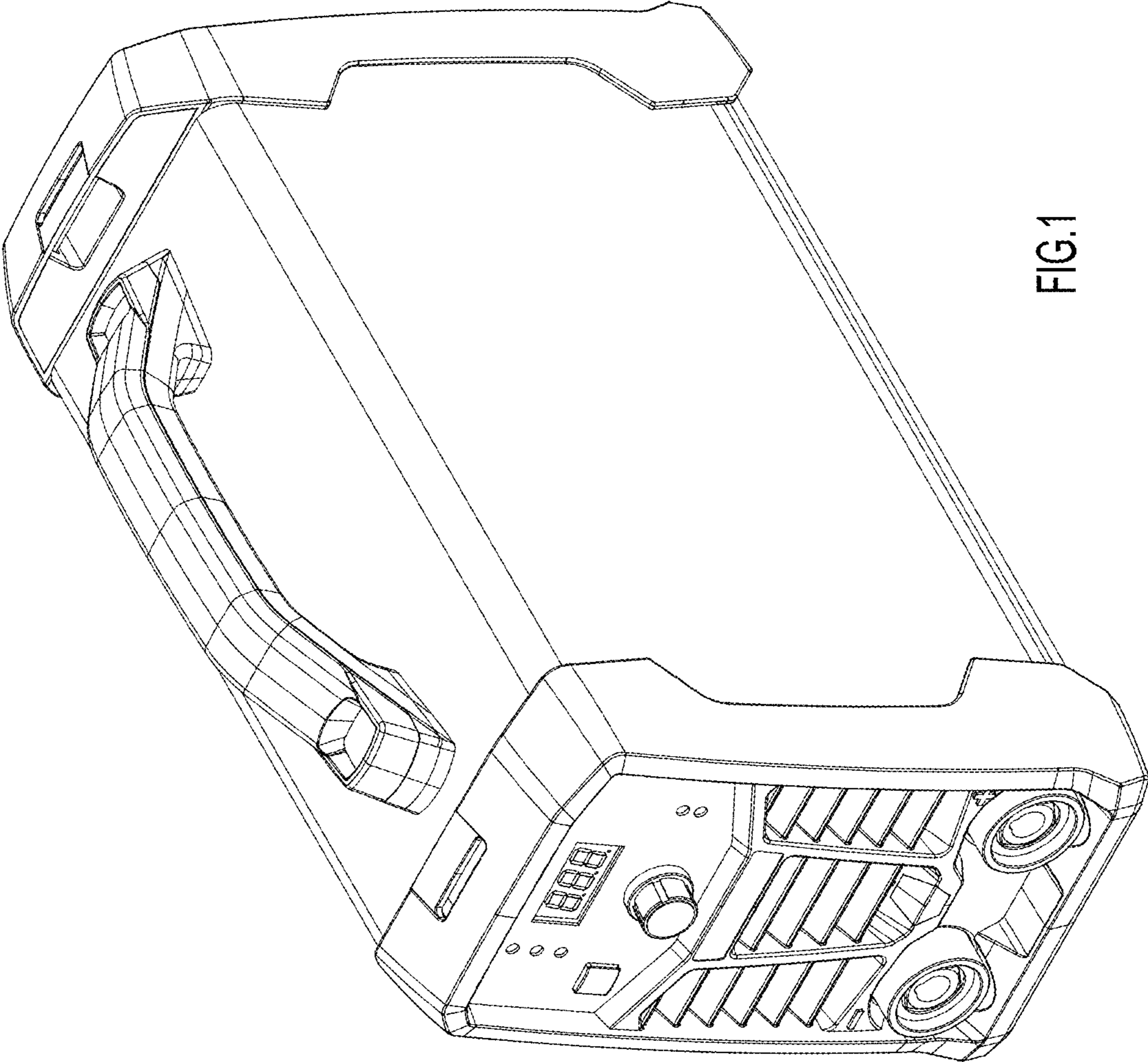


FIG.1

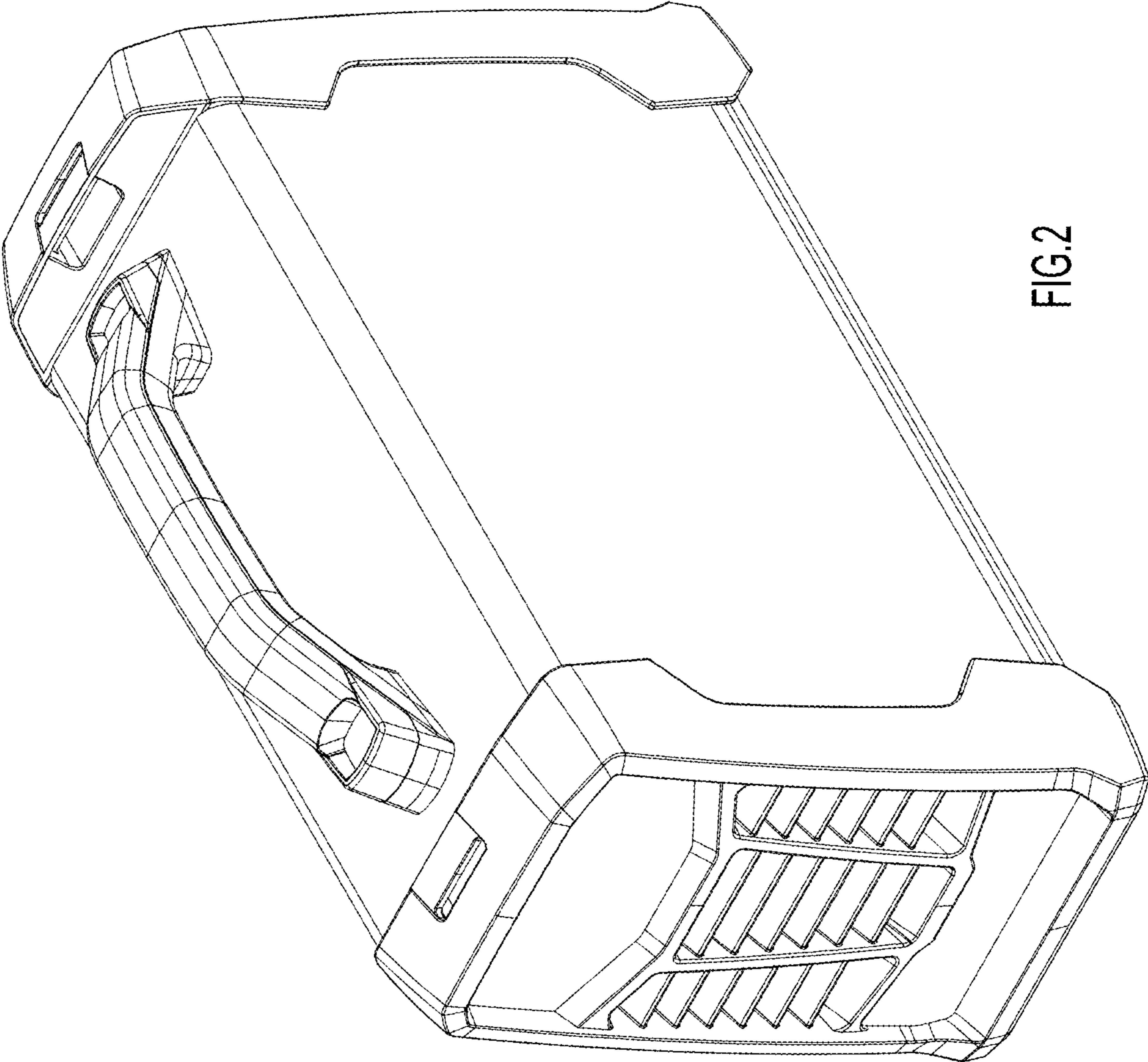


FIG.2

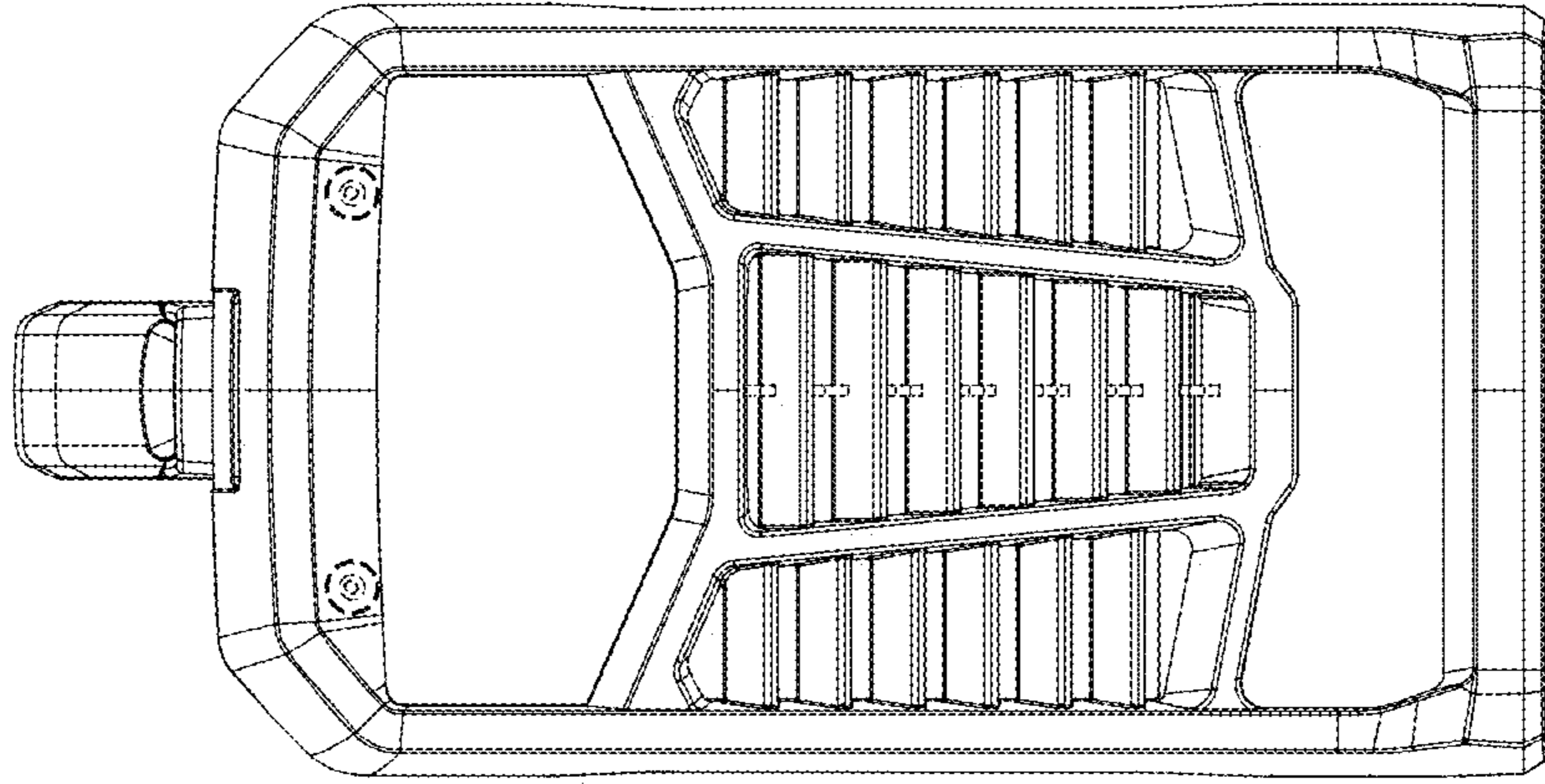


FIG.4

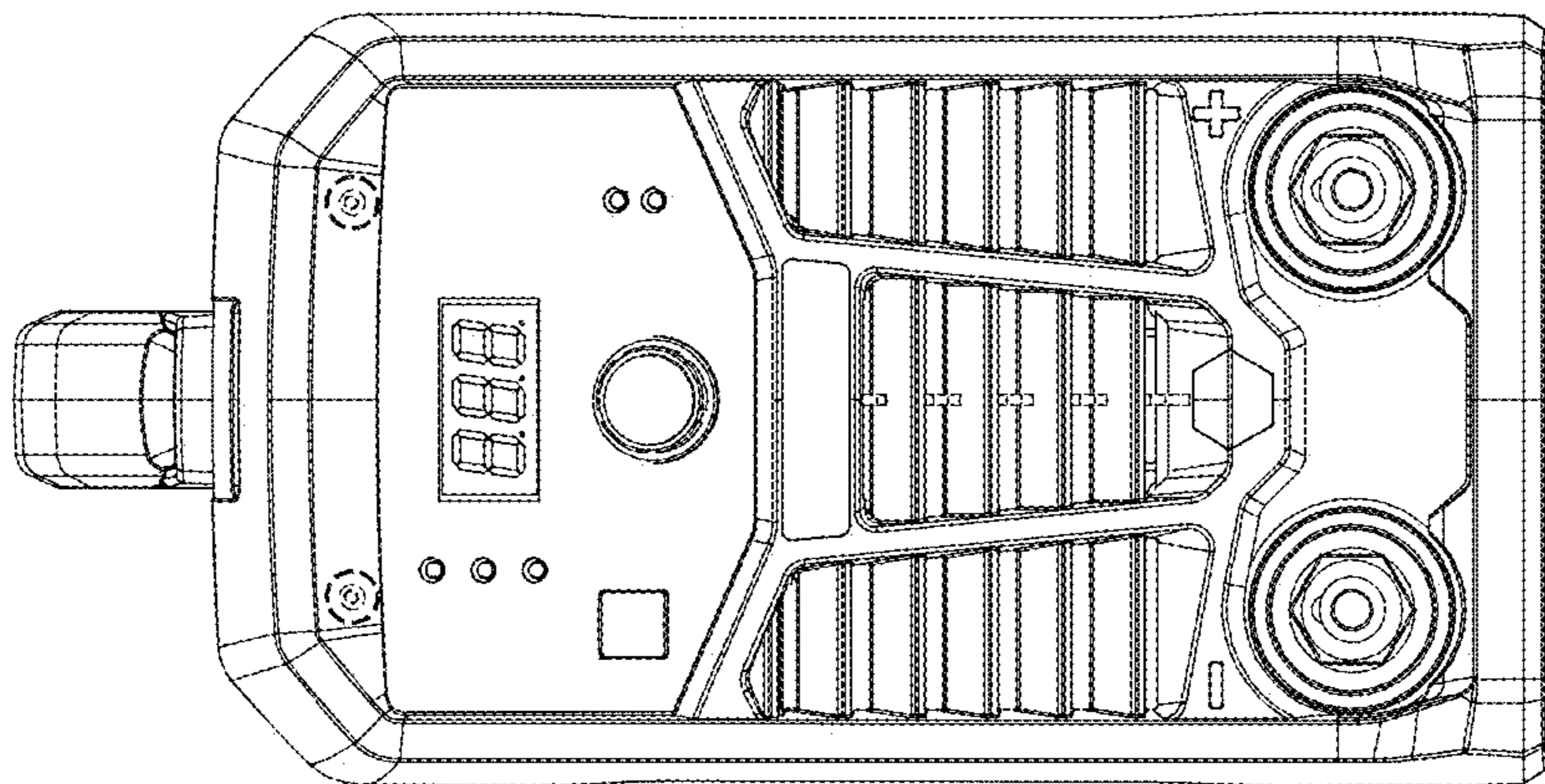


FIG.3

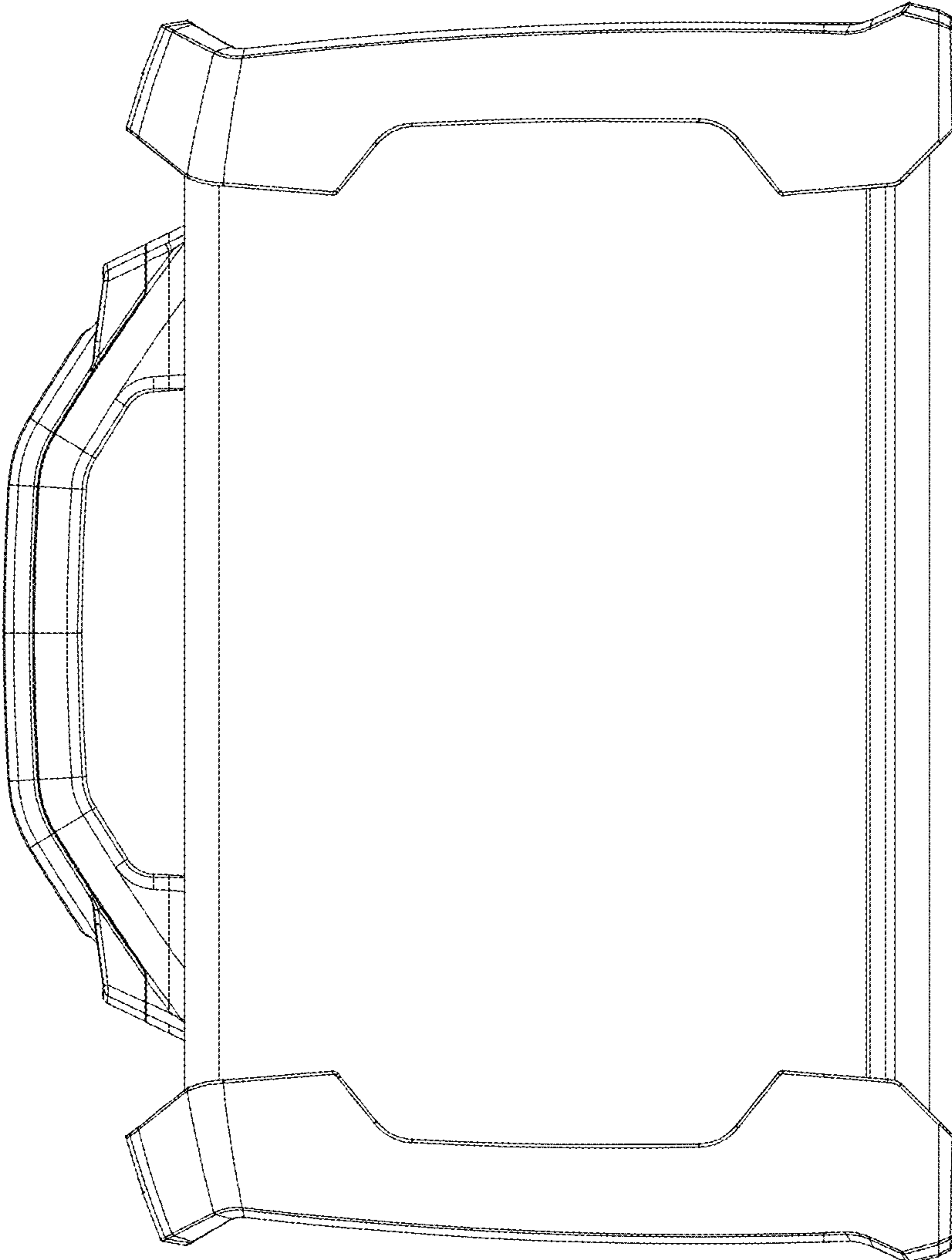


FIG. 5

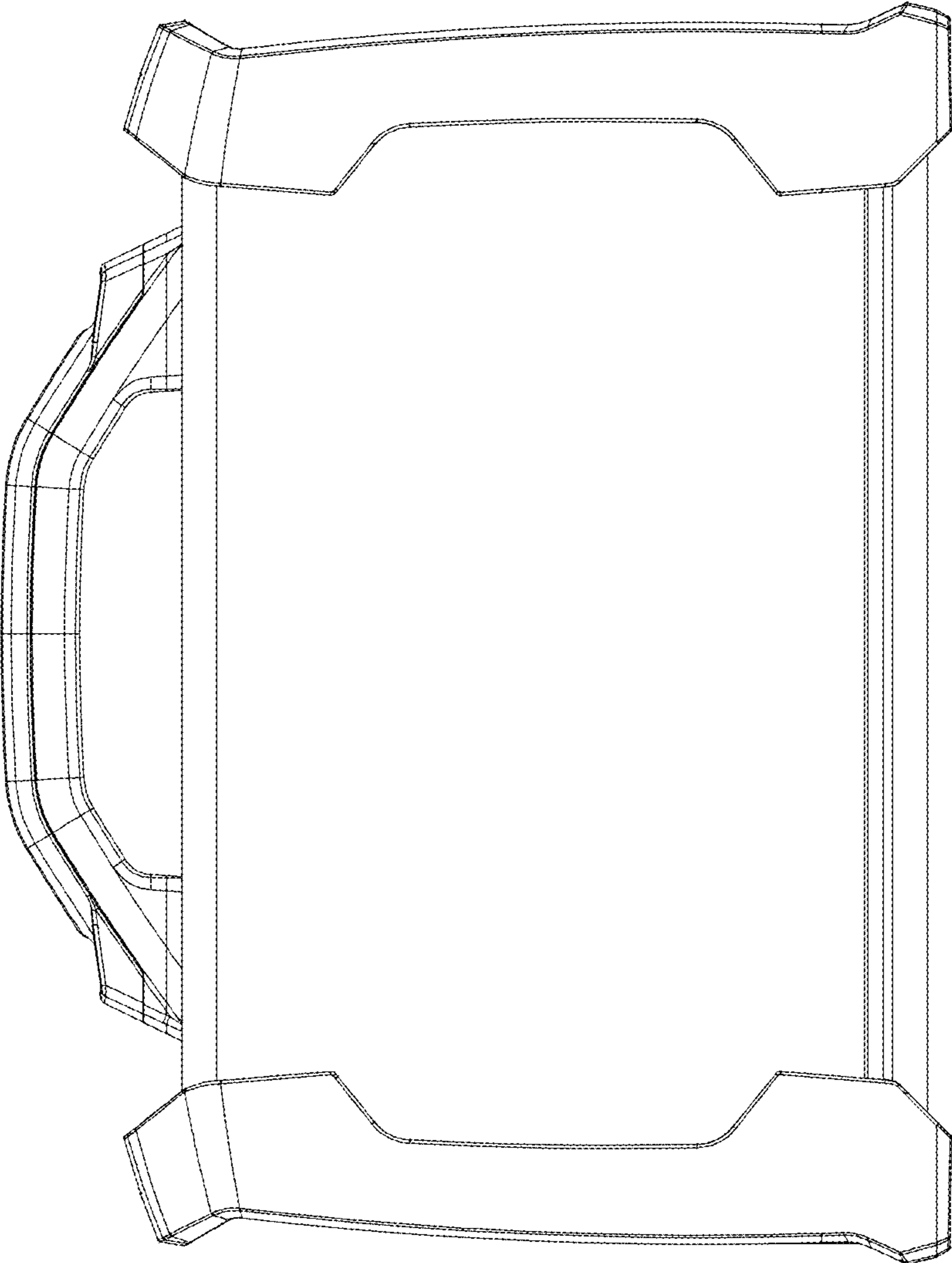


FIG. 6

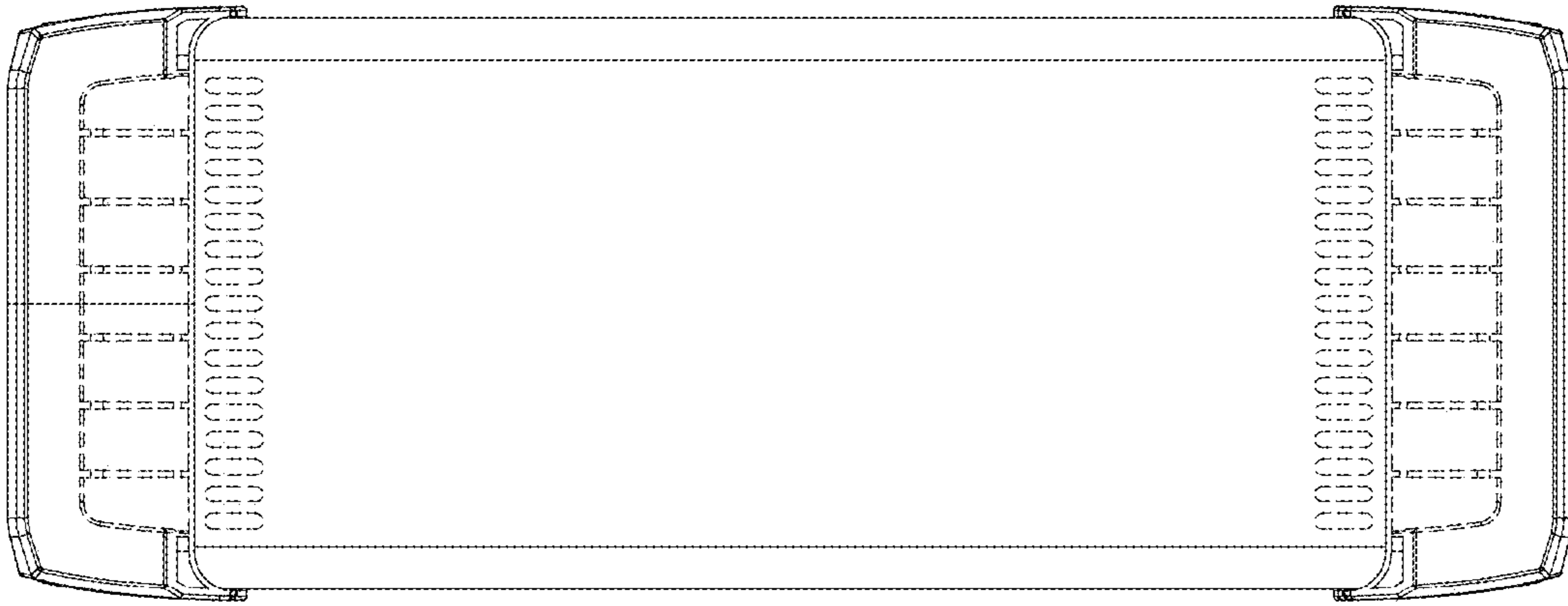


FIG.8

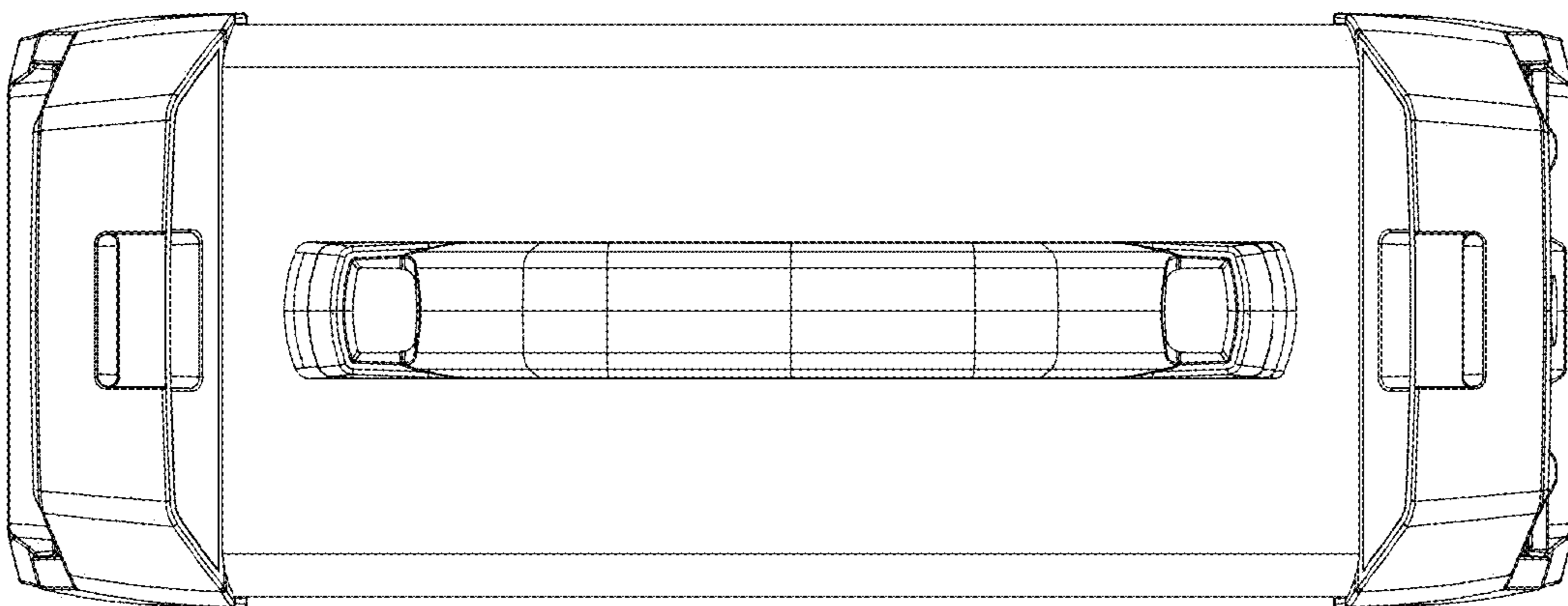


FIG.7

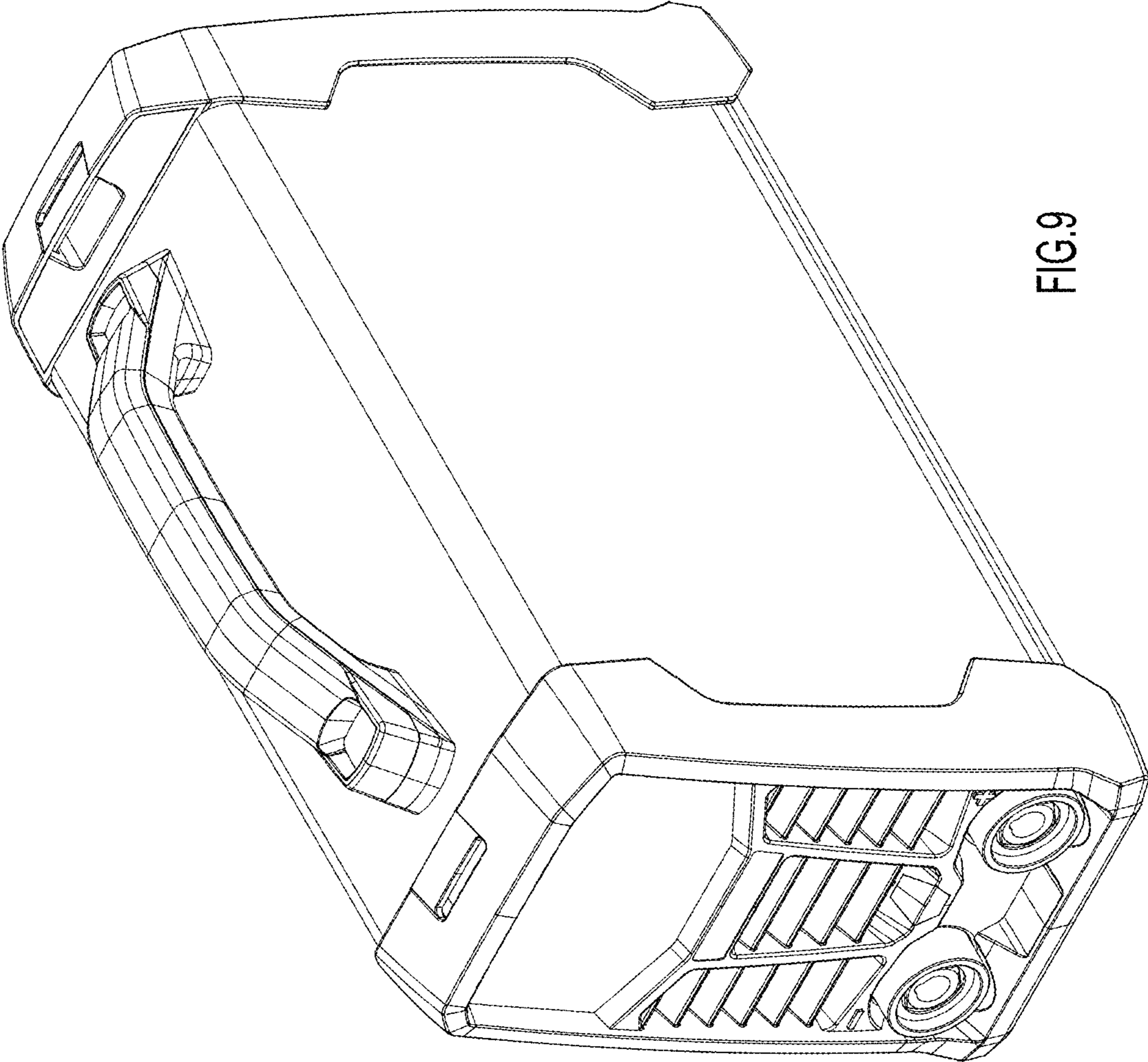


FIG.9

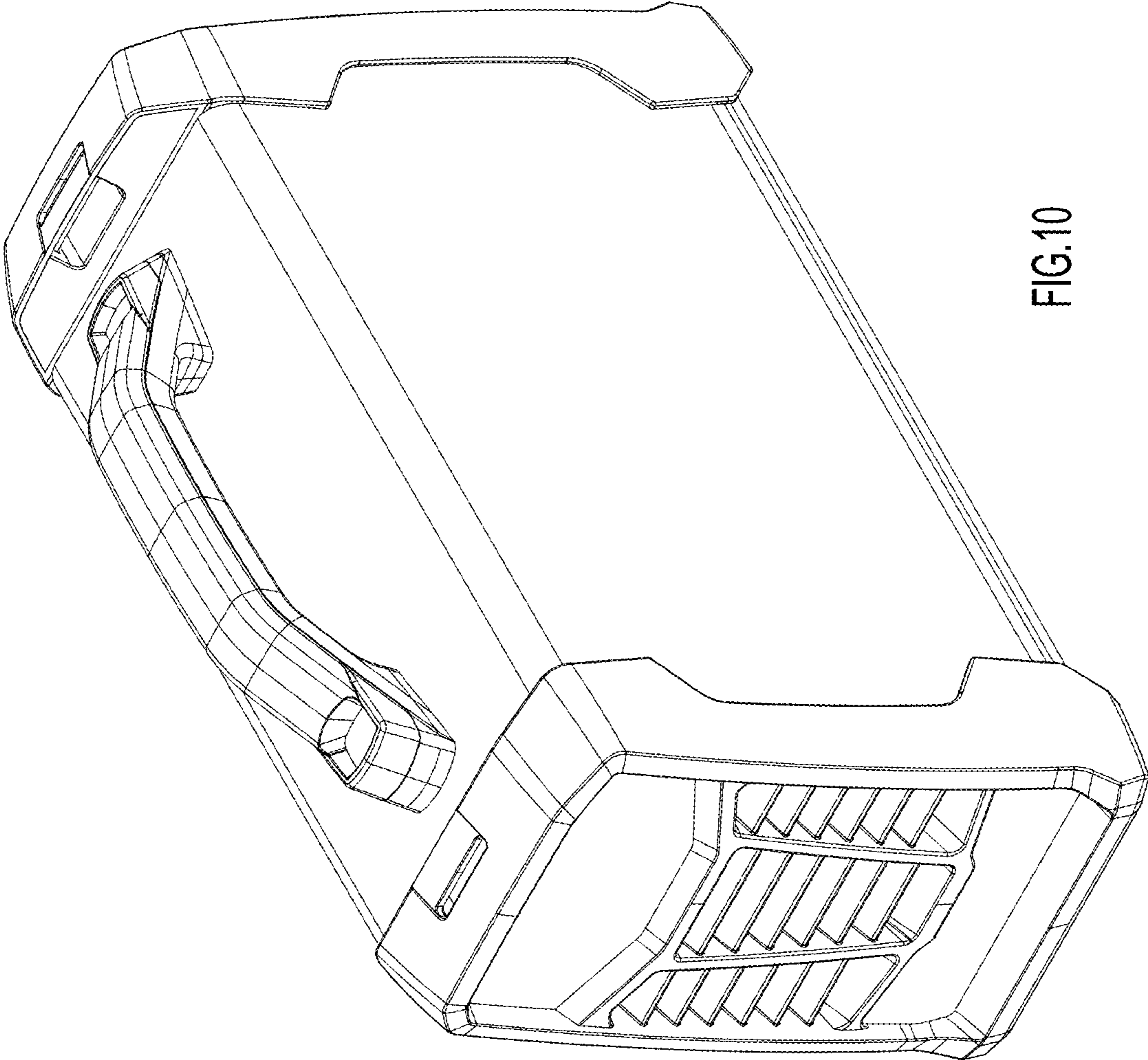


FIG.10

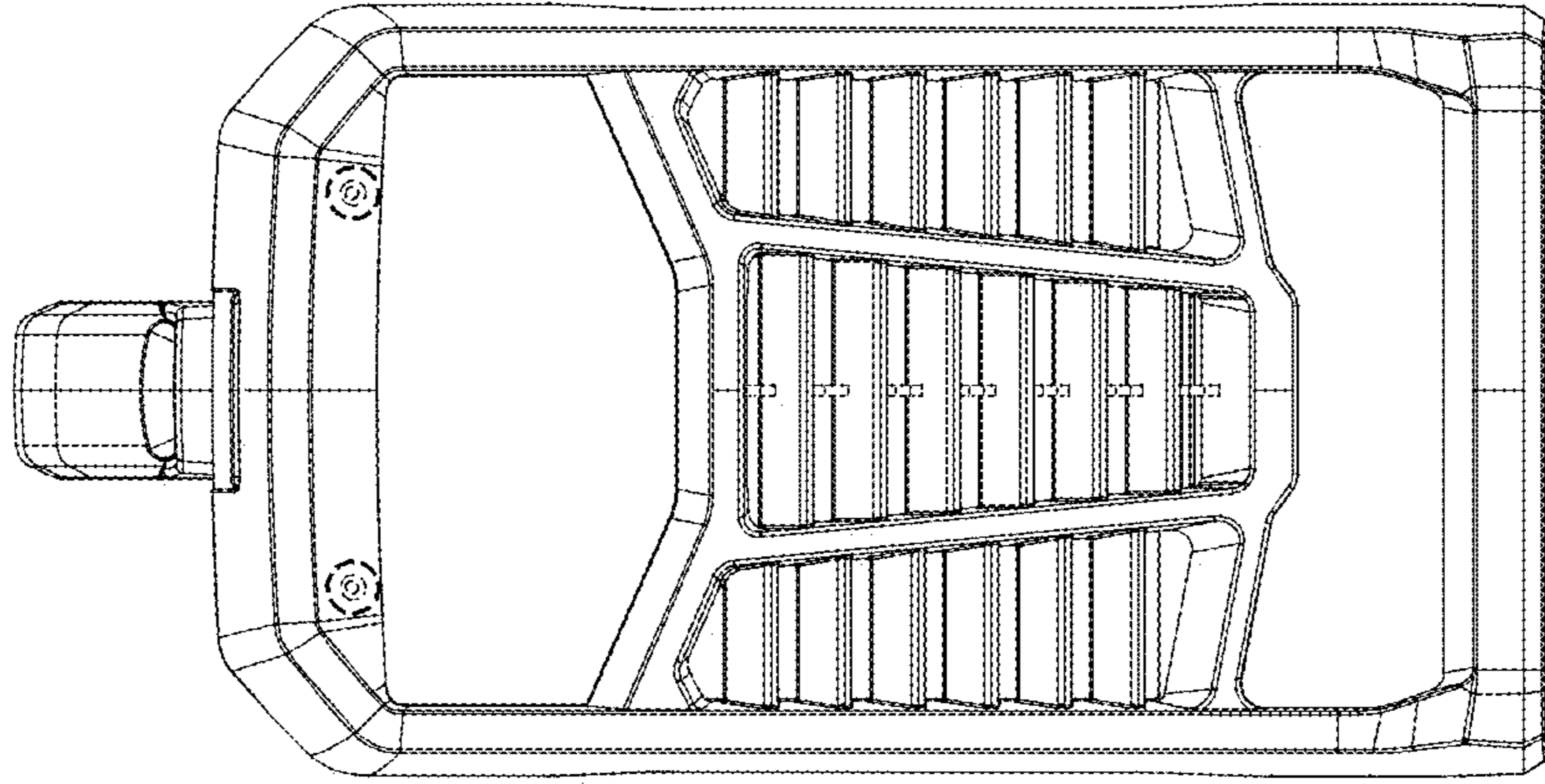


FIG.12

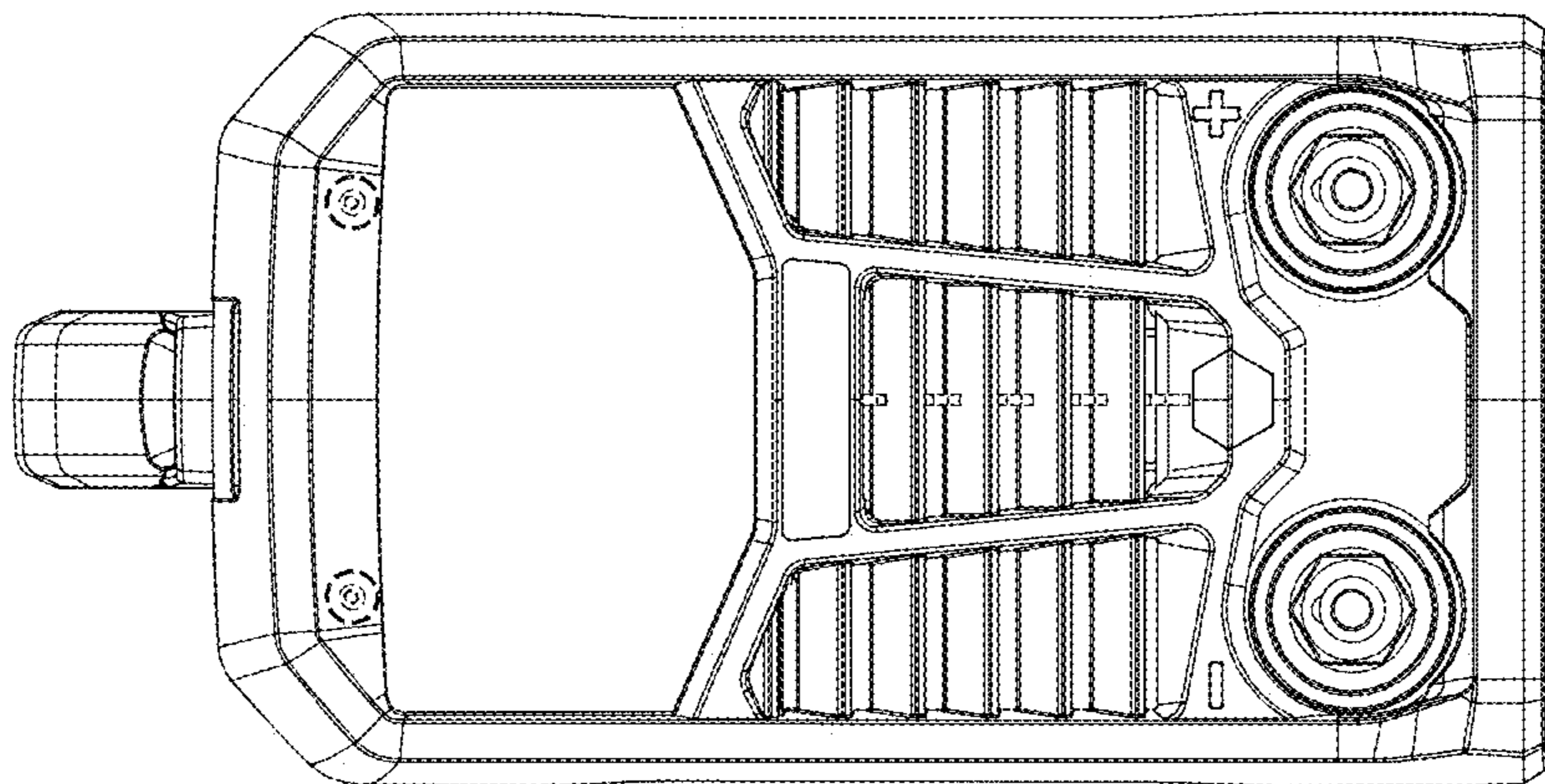


FIG.11

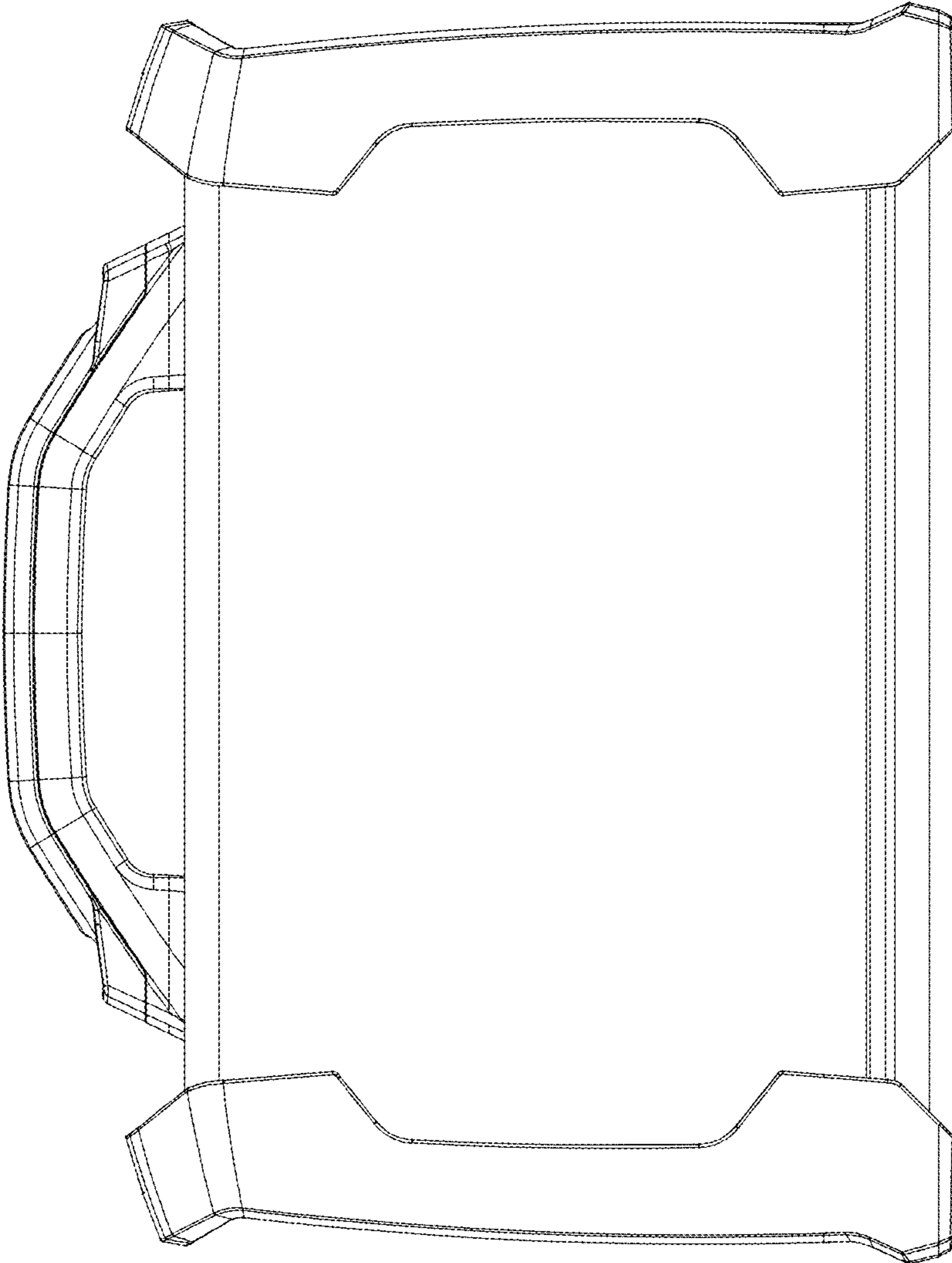


FIG.13

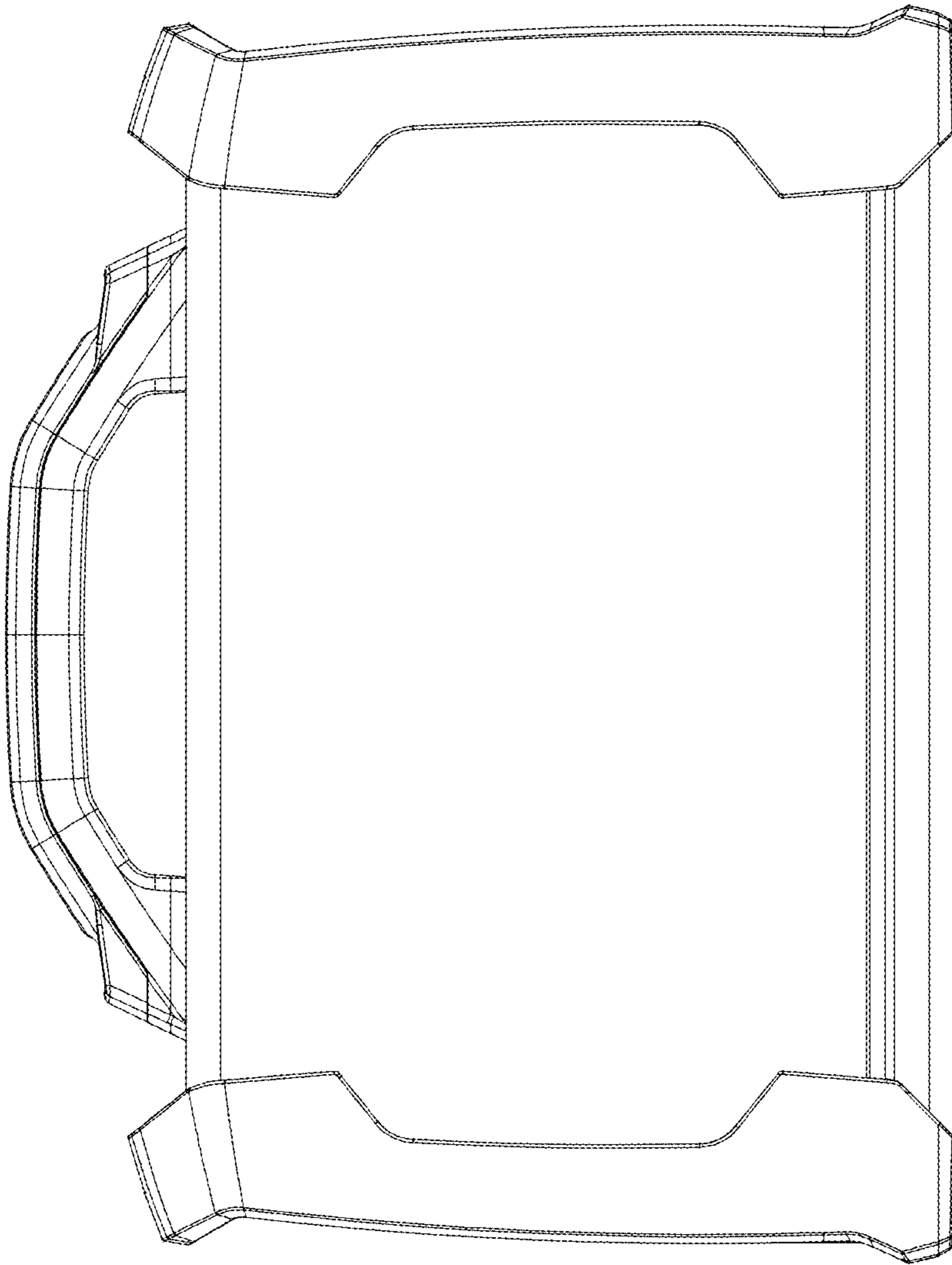


FIG.14

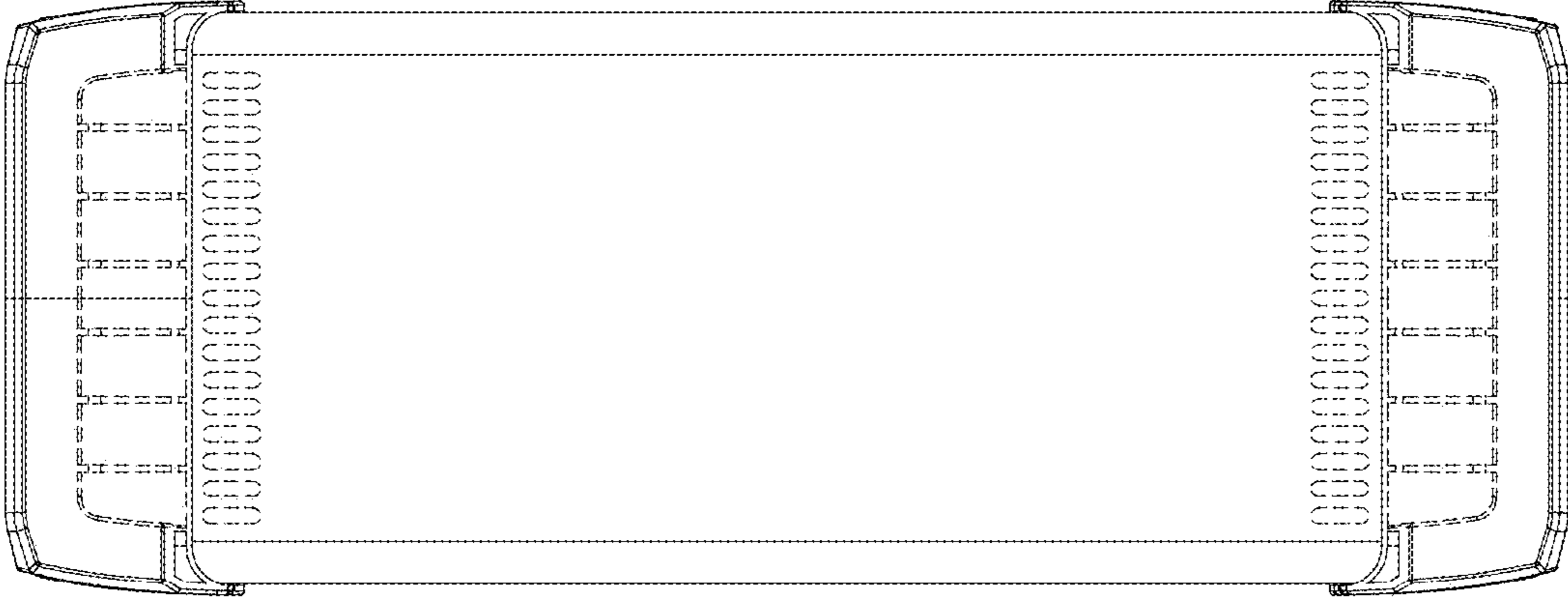


FIG.15

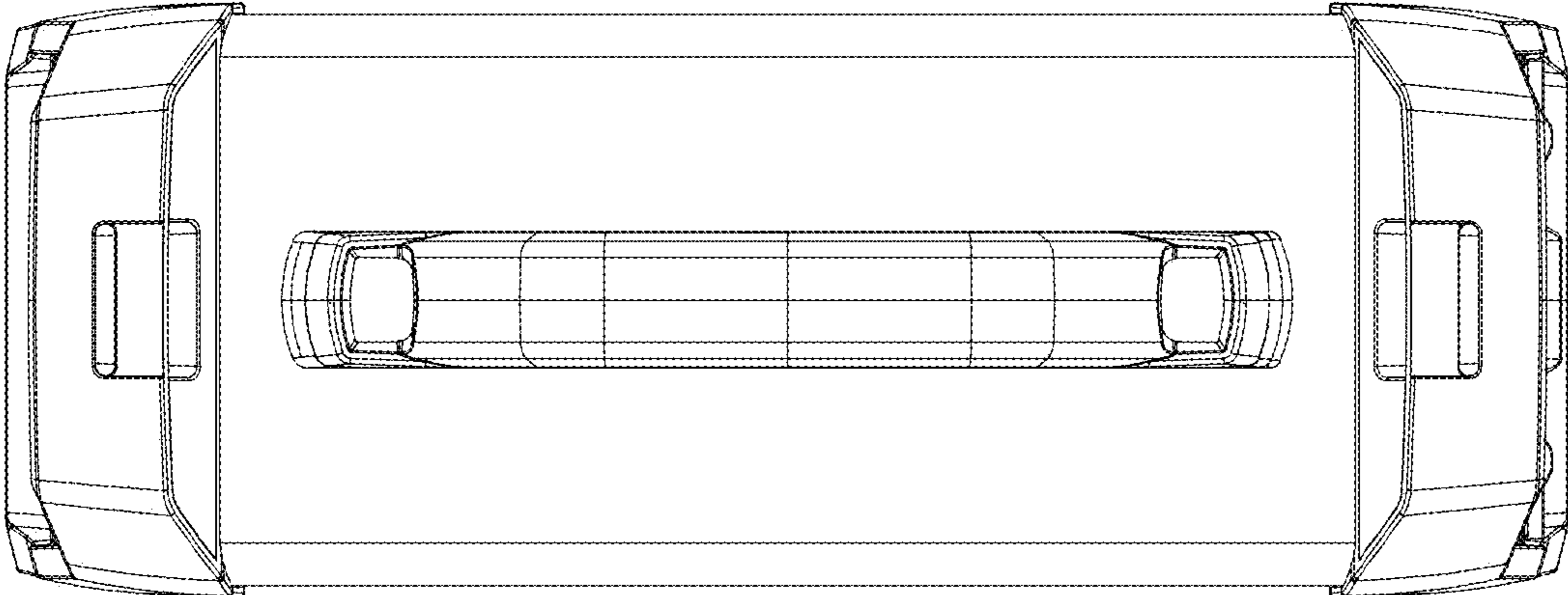


FIG.16