



US00D924287S

(12) **United States Design Patent**
Binzel et al.

(10) **Patent No.:** **US D924,287 S**

(45) **Date of Patent:** **** Jul. 6, 2021**

(54) **CABLE SUPPORT**

(71) Applicant: **TBI Industries GmbH**, Fernwald (DE)

(72) Inventors: **Oliver Binzel**, MuttENZ (CH); **Marc A. Hartel**, Reiskirchen (DE)

(73) Assignee: **TBI INDUSTRIES GMBH**, Fernwald (DE)

(**) Term: **15 Years**

(21) Appl. No.: **29/677,119**

(22) Filed: **Jan. 17, 2019**

(51) **LOC (13) Cl.** **15-09**

(52) **U.S. Cl.**
USPC **D15/144**; D8/364; D8/382; D15/138

(58) **Field of Classification Search**
USPC D15/138; D13/154; D8/364, 382-384,
D8/394; D9/446
CPC .. F16B 41/00; H01R 4/00; H01R 4/24; H01R
4/38; H01R 9/05; H01R 9/0524; H01R
11/03; H01R 12/00; H01R 13/00; H01R
13/40; H01R 13/44; H01R 13/52; H01R
13/62; H01R 13/622; H01R 13/639;
H01R 24/525

See application file for complete search history.

(56) **References Cited**

U.S. PATENT DOCUMENTS

| | | | | |
|--------------|---------|-------------|-------|---------|
| D543,154 S * | 5/2007 | Suckle | | D13/154 |
| D561,112 S * | 2/2008 | Victor | | D13/133 |
| D598,865 S * | 8/2009 | Hwang | | D13/156 |
| D649,862 S * | 12/2011 | Arvinte | | D8/339 |
| D706,117 S * | 6/2014 | Toimil | | D8/356 |
| D710,174 S * | 8/2014 | Moss | | D8/70 |
| D710,175 S * | 8/2014 | Moss | | D8/70 |
| D710,176 S * | 8/2014 | Santamarina | | D8/70 |
| D739,354 S * | 9/2015 | Nook | | D13/133 |
| D747,377 S * | 1/2016 | Hassan | | D15/144 |
| D747,378 S * | 1/2016 | Hassan | | D15/144 |

| | | | | |
|-----------------|---------|---------|-------|------------|
| D752,304 S * | 3/2016 | Blouin | | D32/46 |
| 10,122,110 B2 * | 11/2018 | Binzel | | H01R 4/302 |
| D838,249 S * | 1/2019 | Maroney | | D13/154 |
| D840,786 S * | 2/2019 | Gooden | | D8/339 |
| D872,024 S * | 1/2020 | Watkins | | D13/133 |
| D872,693 S * | 1/2020 | Watkins | | D13/133 |

(Continued)

FOREIGN PATENT DOCUMENTS

| | | | |
|----|----------------|---|--------|
| EM | 001924408-0001 | * | 3/2013 |
| EM | 001924408-0006 | * | 3/2013 |

OTHER PUBLICATIONS

Cable Support, Earliest Available Date Jan. 17, 2019, [Viewed Oct. 9, 2020] Available From TBI Industries Catalog. (Year: 2019).*

Primary Examiner — Sheryl Lane

Assistant Examiner — Mark T. Philipps

(74) *Attorney, Agent, or Firm* — Edell, Shapiro & Finnan, LLC

(57) **CLAIM**

The ornamental design for a cable support, as shown and described.

DESCRIPTION

FIG. 1 is a top front perspective view of a cable support according to the present invention;

FIG. 2 is a top rear perspective view of the cable support of FIG. 1;

FIG. 3 is a front view of the cable support of FIG. 1;

FIG. 4 is a rear view of the cable support of FIG. 1;

FIG. 5 is a top view of the cable support of FIG. 1;

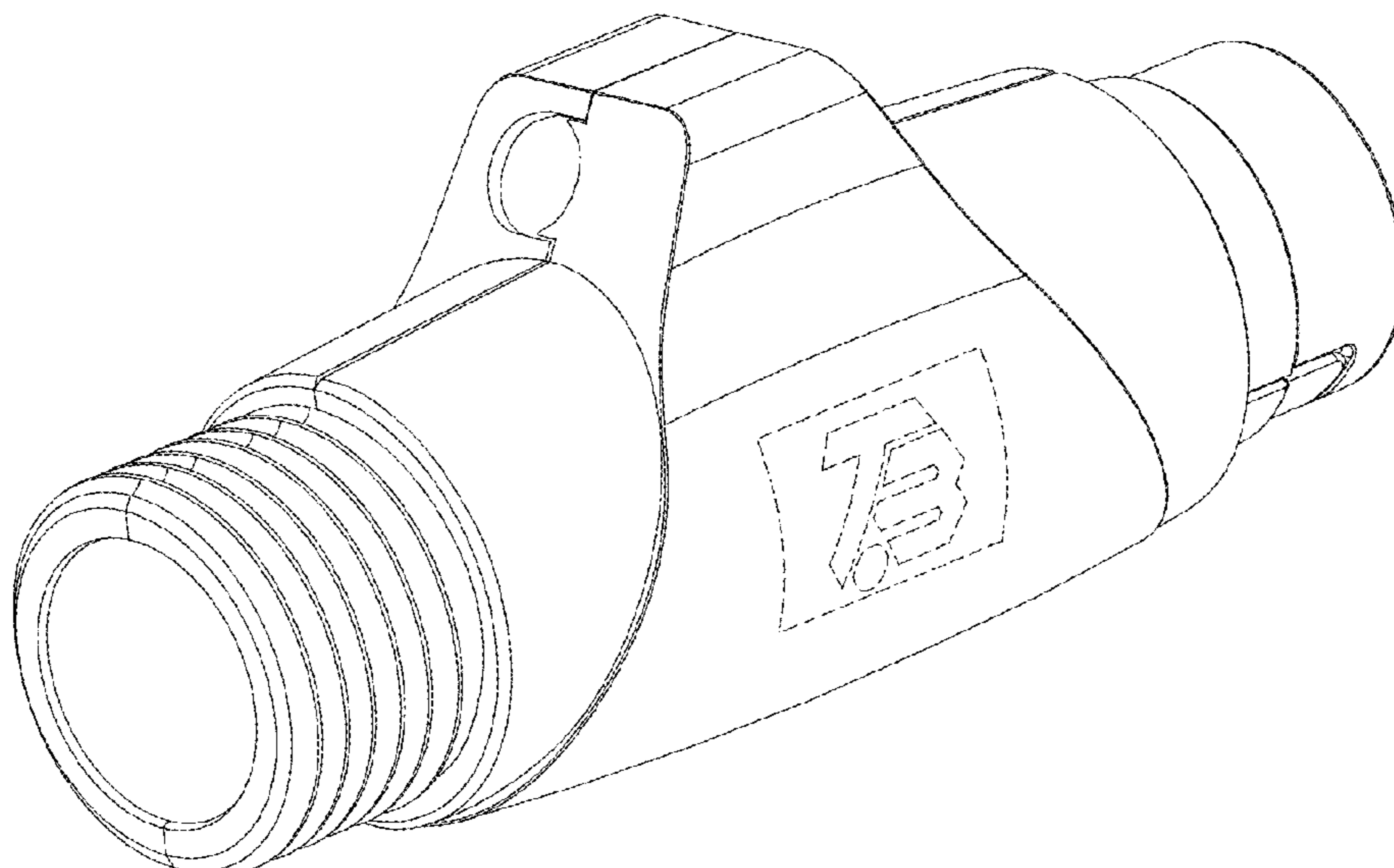
FIG. 6 is a bottom view of the cable support of FIG. 1;

FIG. 7 is a left side view of the cable support of FIG. 1; and,

FIG. 8 is a right side view of the cable support of FIG. 1.

The broken lines in the figures show portions of the cable support that form no part of the claimed design.

1 Claim, 4 Drawing Sheets



(56)

References Cited

U.S. PATENT DOCUMENTS

D875,051 S * 2/2020 Watkins D13/154
D875,053 S * 2/2020 Shono D13/182
D875,054 S * 2/2020 Shono D13/182
D888,529 S * 6/2020 Hartel D8/107
10,720,731 B2 * 7/2020 Pearman B23K 9/32
10,756,455 B2 * 8/2020 Bence H01R 9/05
10,756,483 B2 * 8/2020 Montena H01R 13/622
D895,775 S * 9/2020 Horning D23/265
D896,352 S * 9/2020 Horning D23/265
2006/0218752 A1 * 10/2006 Potempa B05C 17/0205
16/429
2020/0259318 A1 * 8/2020 Purdy G02B 6/2558
2020/0358209 A1 * 11/2020 Brode H01R 9/0524
2020/0358232 A1 * 11/2020 Watkins H01R 24/40

* cited by examiner

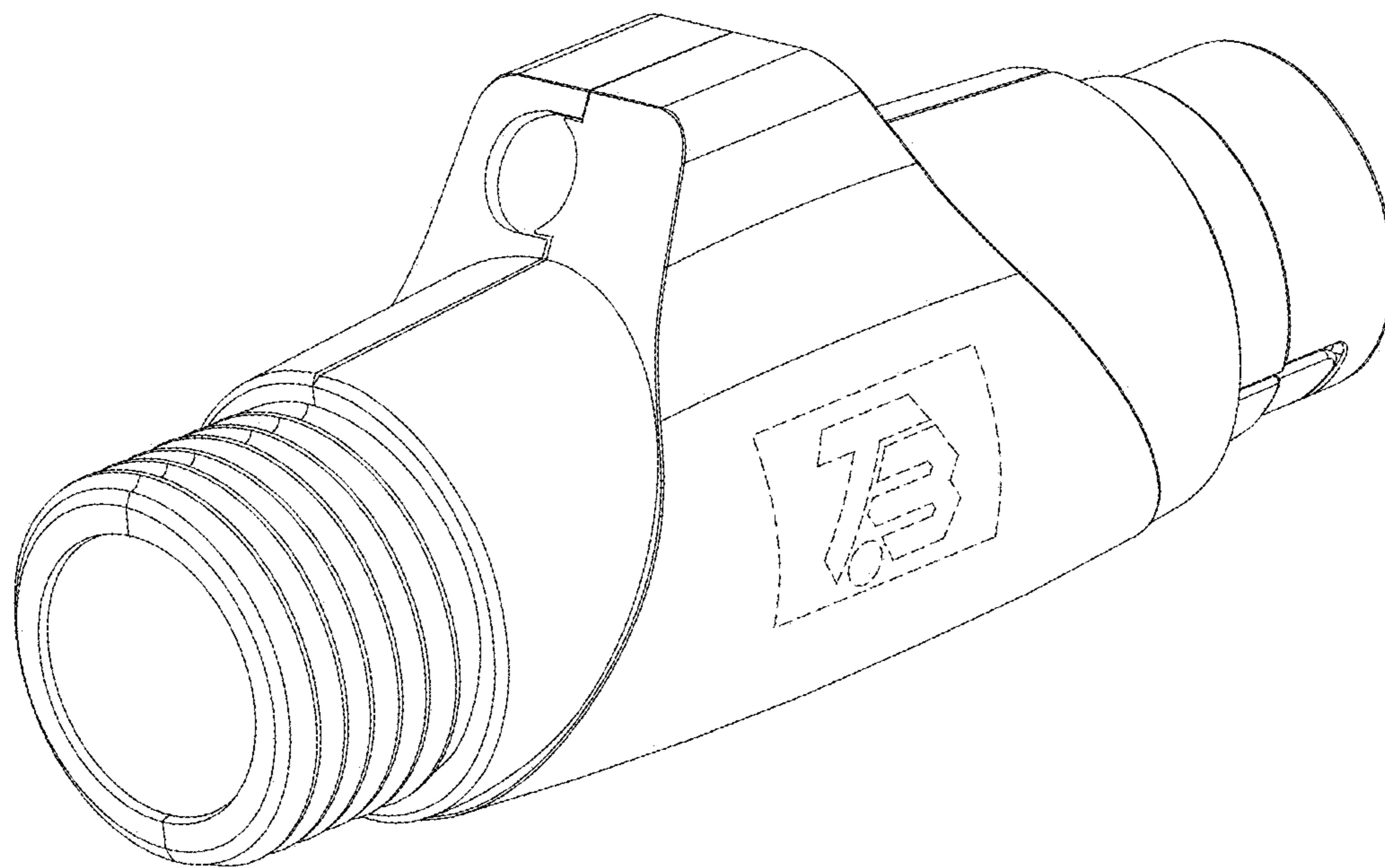


FIG.1

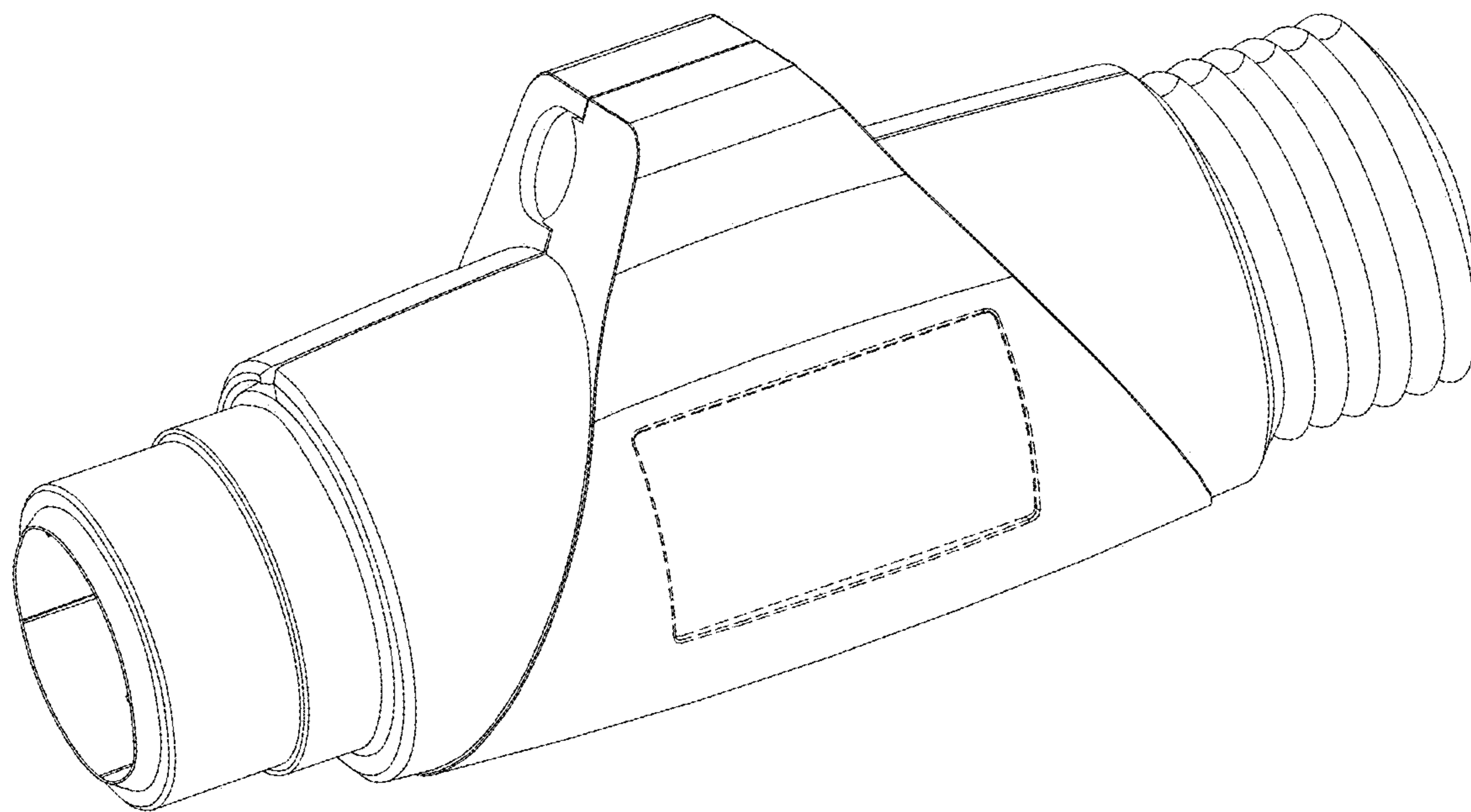


FIG.2

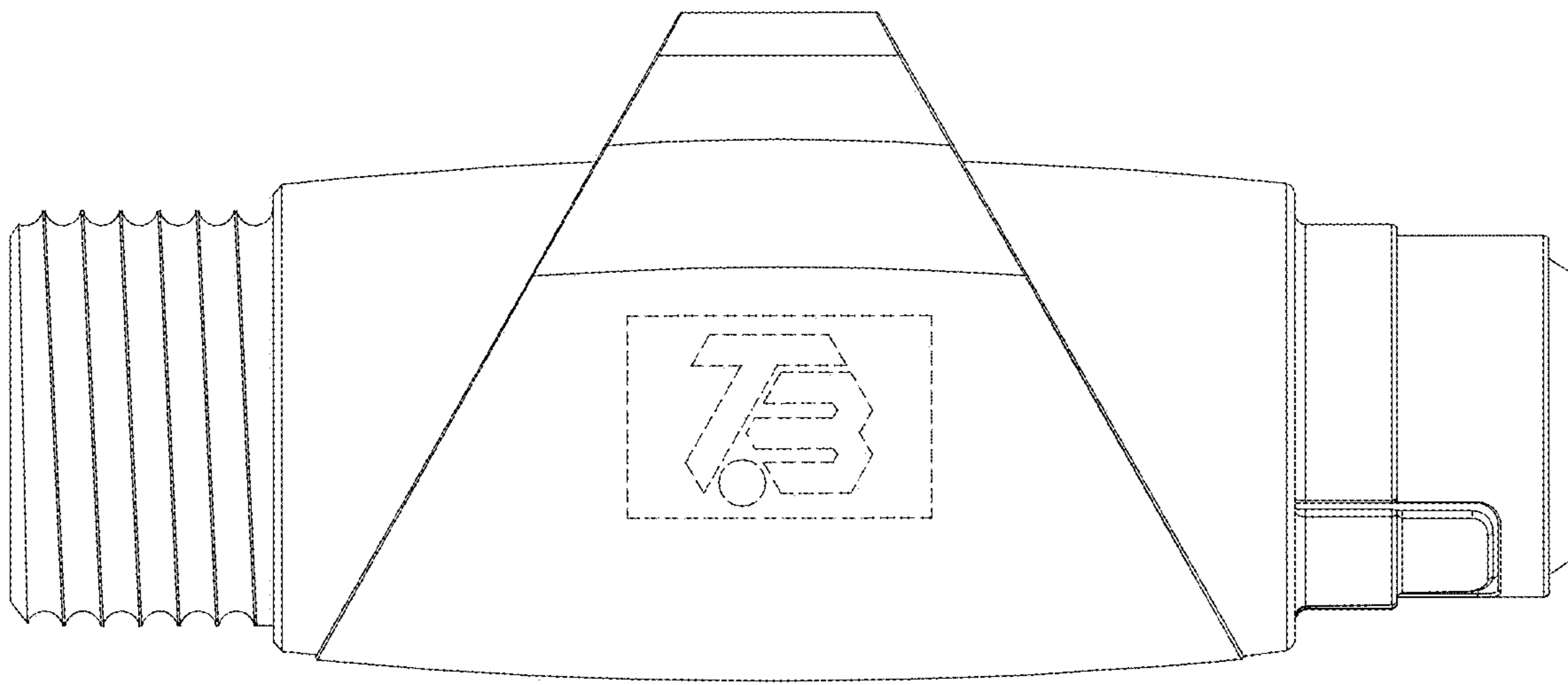


FIG.3

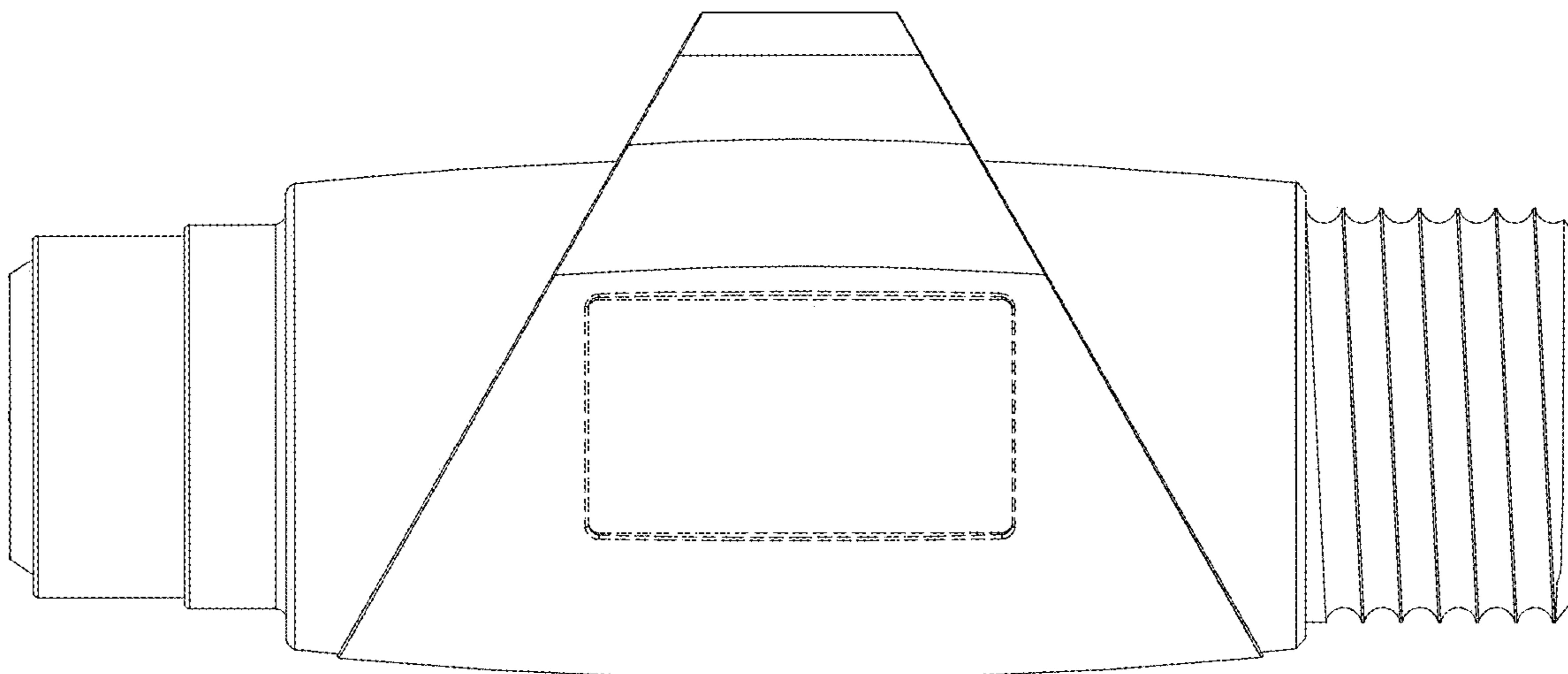


FIG.4

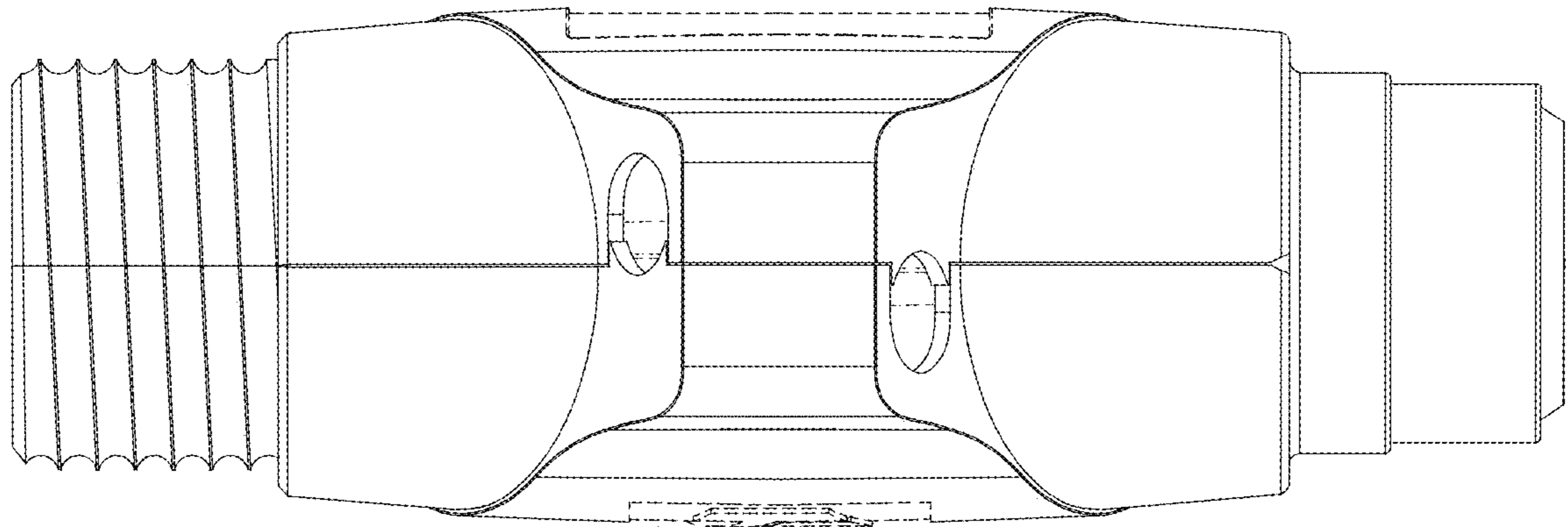


FIG.5

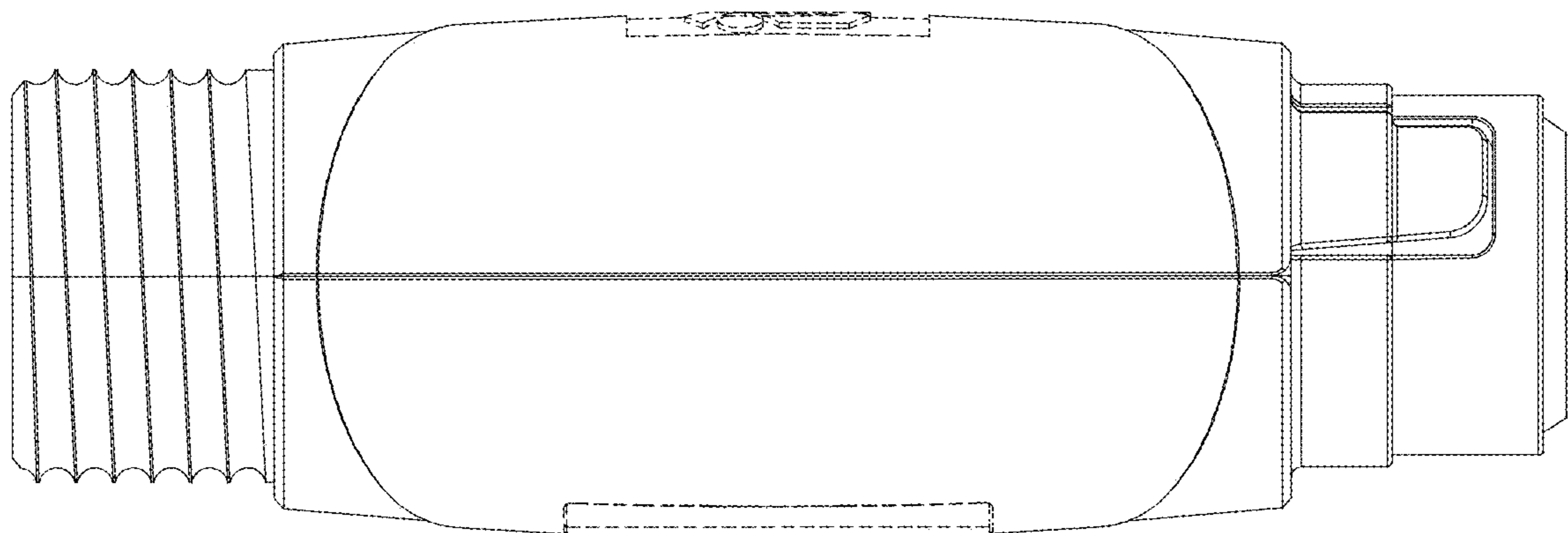


FIG.6

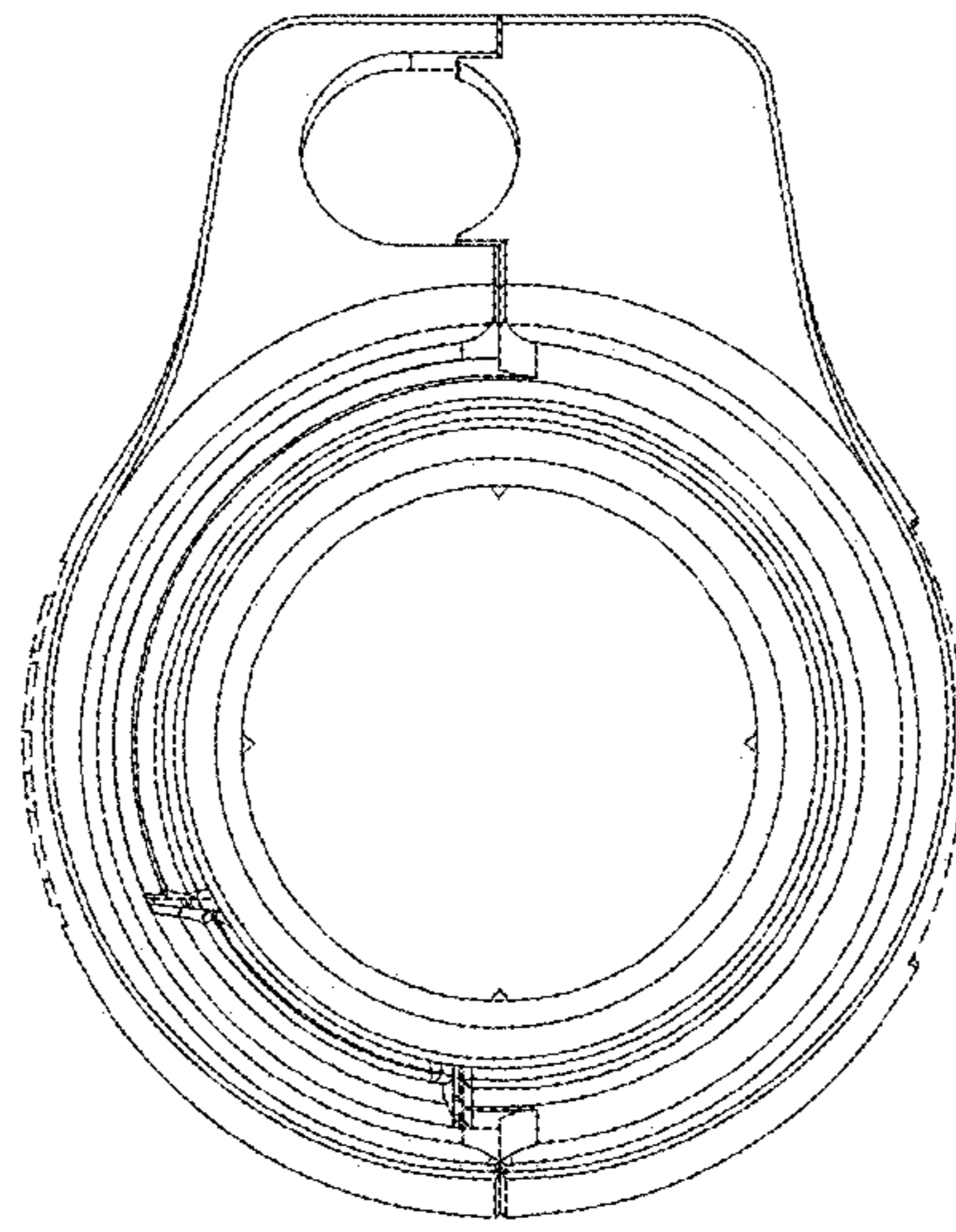


FIG.7

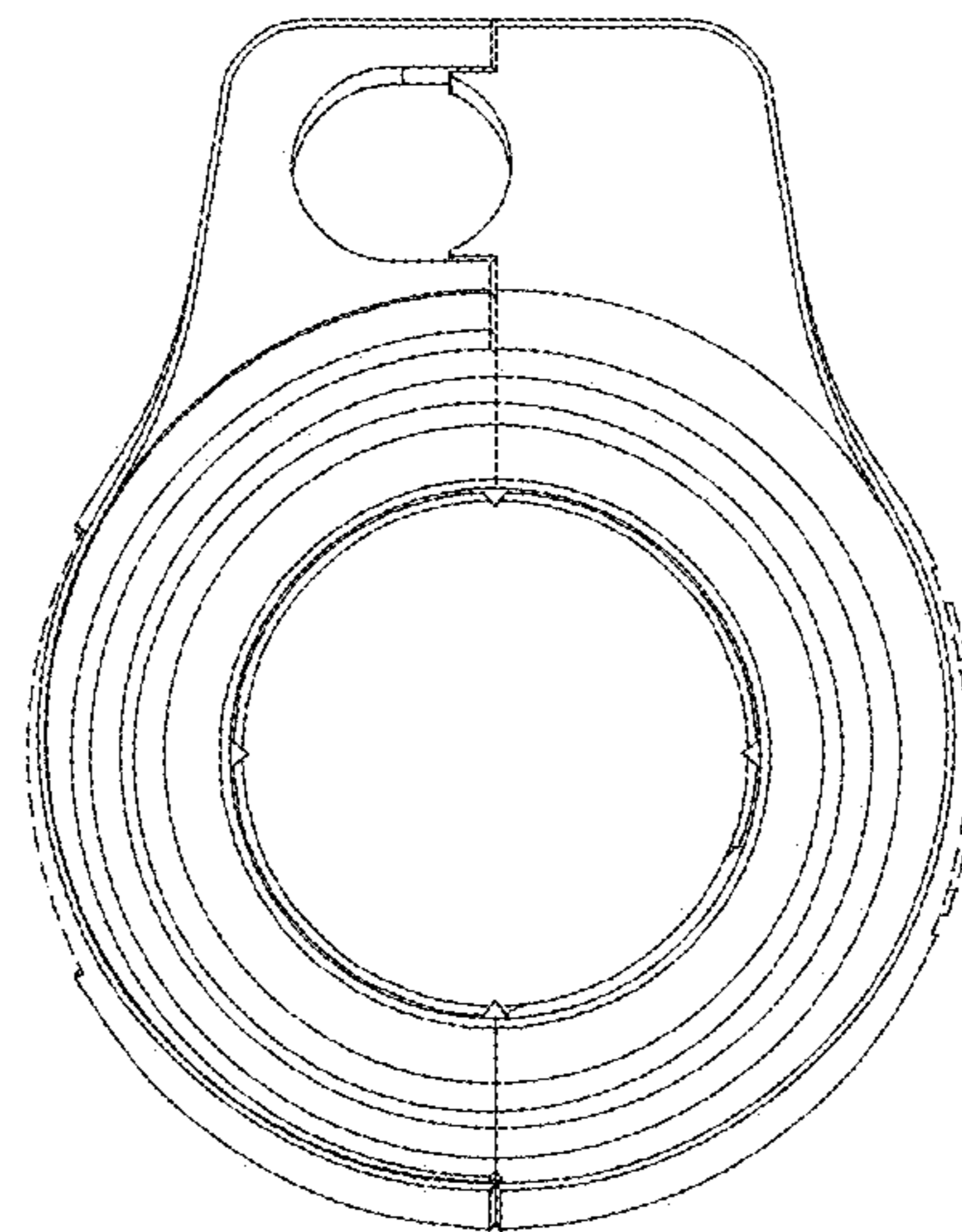


FIG.8