



US00D924284S

(12) **United States Design Patent** (10) **Patent No.:** **US D924,284 S**
Mowdy (45) **Date of Patent:** **** Jul. 6, 2021**

(54) **VENT TUBE FOR BOTTLING MACHINE**

FOREIGN PATENT DOCUMENTS

(71) Applicant: **M&M Machinery Services, Inc.**, Fort Worth, TX (US)

CN 102701130 10/2012
DE 202007014205 9/2008

(Continued)

(72) Inventor: **Alton W. Mowdy**, Fort Worth, TX (US)

Primary Examiner — Patricia A Palasik

(73) Assignee: **M&M Machinery Services, Inc.**, Fort Worth, TX (US)

(74) *Attorney, Agent, or Firm* — Fitch, Even, Tabin & Flannery LLP

(**) Term: **15 Years**

(57) **CLAIM**

(21) Appl. No.: **29/680,459**

The ornamental design for a vent tube for bottling machine, as shown and described.

(22) Filed: **Feb. 15, 2019**

Related U.S. Application Data

DESCRIPTION

(62) Division of application No. 29/597,122, filed on Mar. 14, 2017, now Pat. No. Des. 846,608.

(51) **LOC (13) Cl.** **15-09**

FIG. 1 is a bottom perspective view of a vent tube for bottling machine in accordance with an embodiment of my new design.

(52) **U.S. Cl.**

FIG. 2 is a top perspective view of a vent tube for bottling machine in accordance with an embodiment of my new design.

USPC **D15/138**

(58) **Field of Classification Search**

FIG. 3 is a front elevation view of a vent tube for bottling machine in accordance with an embodiment of my new design.

USPC D8/349, 354, 356; D13/155; D15/122,

D15/138; D23/259, 260, 262–266

FIG. 4 is a left side elevation view of a vent tube for bottling machine in accordance with an embodiment of my new design.

CPC B41J 3/543; B41J 3/4073; B41J 11/002;

B65B 31/04; B67C 3/2614; B67C

2003/2602; B67C 2003/2668; B67C

2003/2674; F16L 37/252

See application file for complete search history.

FIG. 5 is a top view of a vent tube for bottling machine in accordance with an embodiment of my new design; and, FIG. 6 is a bottom view of a vent tube for bottling machine in accordance with an embodiment of my new design. The rear and right side elevation views are omitted as they are mirror images of the front and left side elevation views, respectively.

(56) **References Cited**

U.S. PATENT DOCUMENTS

1,350,249 A * 8/1920 Swanson B67C 3/26

141/82

1,621,470 A * 3/1927 Shields B67C 7/00

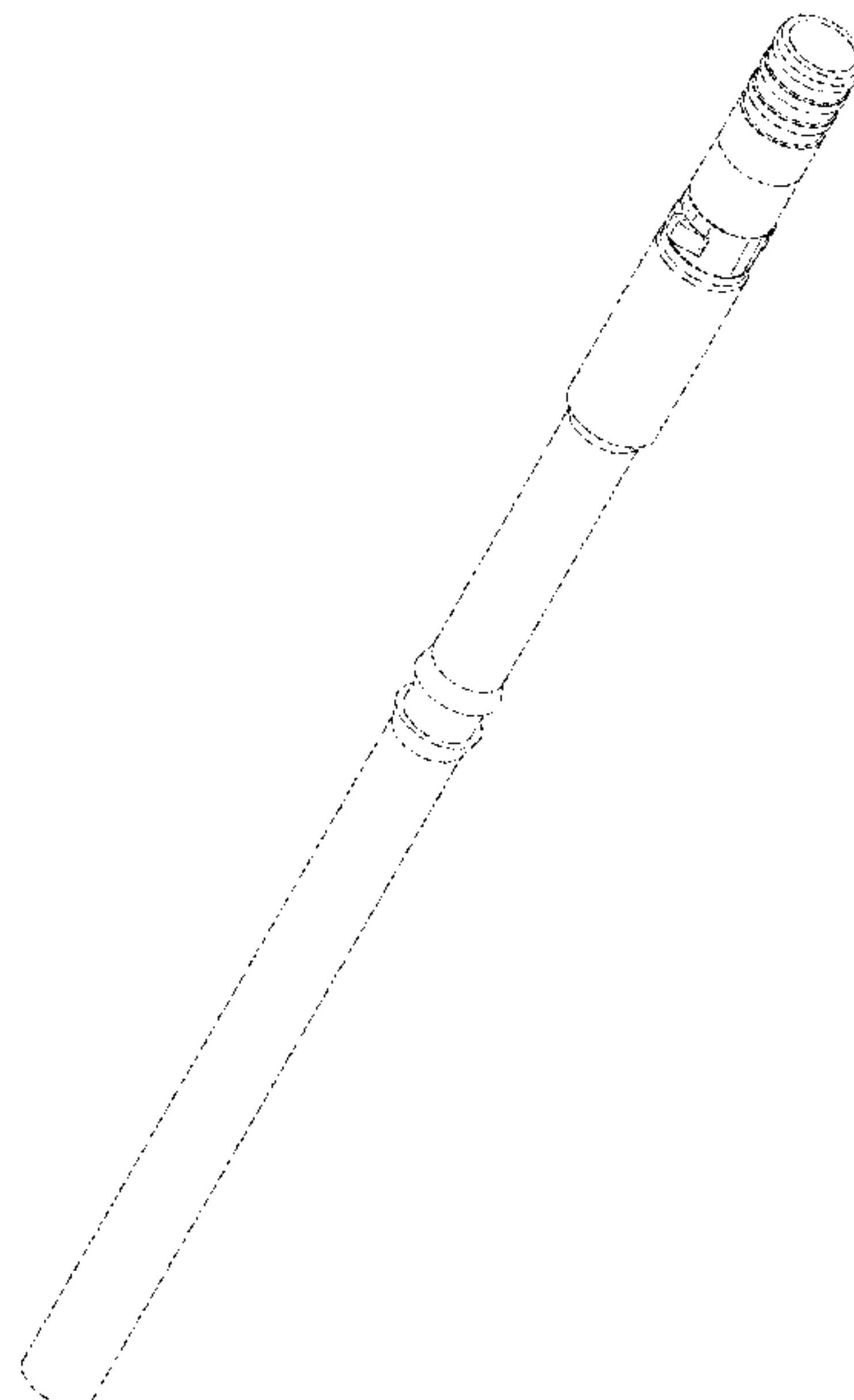
53/77

1,804,985 A * 5/1931 Hoffman B67C 3/04

141/82

(Continued)

1 Claim, 5 Drawing Sheets



(56)

References Cited

U.S. PATENT DOCUMENTS

1,901,596 A * 3/1933 Hauk B08B 9/44
414/568
1,935,115 A * 11/1933 Flower B67C 7/00
53/278
D118,575 S * 1/1940 Thomas, Jr. D23/262
D171,627 S * 3/1954 Weber D13/133
2,731,186 A * 1/1956 Fox B67C 3/12
141/39
2,797,110 A 6/1957 Covington
3,450,175 A 6/1969 Norwood
3,640,465 A 2/1972 Hicks
3,736,966 A 6/1973 Dichiaro
3,858,910 A 1/1975 Oetiker
4,049,030 A 9/1977 Abramoska
4,335,761 A * 6/1982 Peronek B67C 3/26
141/371
5,058,632 A * 10/1991 Lawarre, Sr. B67C 3/26
141/39
5,060,702 A * 10/1991 LaWarre, Sr. B67C 3/26
141/39
5,095,958 A * 3/1992 Tincati B67C 3/004
141/129
D332,482 S * 1/1993 Petty D23/262
5,425,558 A 6/1995 Dennany
D376,415 S * 12/1996 Shemtov D13/152

5,778,633 A * 7/1998 Sweeny B65B 59/04
53/201
5,878,797 A 3/1999 Manuel
6,634,679 B1 10/2003 Stieler
D565,707 S * 4/2008 Brockington D23/262
7,523,771 B2 4/2009 Stavakis
D596,272 S * 7/2009 Price D23/259
8,887,762 B2 11/2014 Densel
10,844,988 B2 * 11/2020 Simon F16L 37/0915
2006/0011262 A1 * 1/2006 Stienen A61L 2/208
141/147
2010/0282364 A1 * 11/2010 Balzarin B08B 9/426
141/165
2011/0290375 A1 12/2011 Hertz
2012/0174529 A1 7/2012 Clusserath
2013/0105041 A1 5/2013 Krulitsch
2013/0112315 A1 5/2013 Clusserath
2014/0208699 A1 7/2014 Reiniger
2015/0191260 A1 7/2015 Cook
2015/0217983 A1 8/2015 Clusserath
2017/0276279 A1 9/2017 Mowdy
2017/0313452 A1 * 11/2017 Sutton B65G 15/00

FOREIGN PATENT DOCUMENTS

EP 2930140 1/2017
GB 931498 7/1963
WO 2013139413 9/2013

* cited by examiner

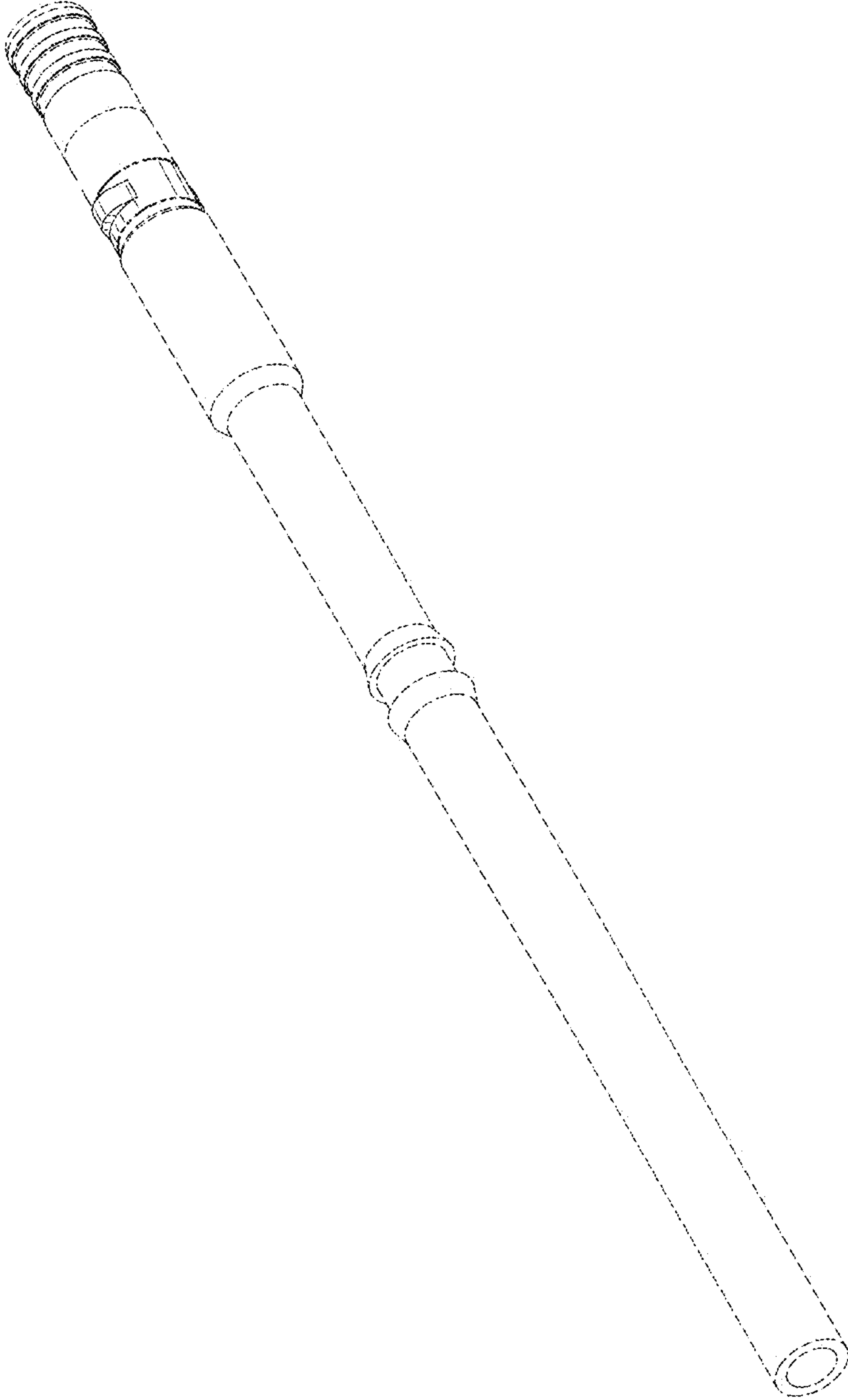


FIG. 1

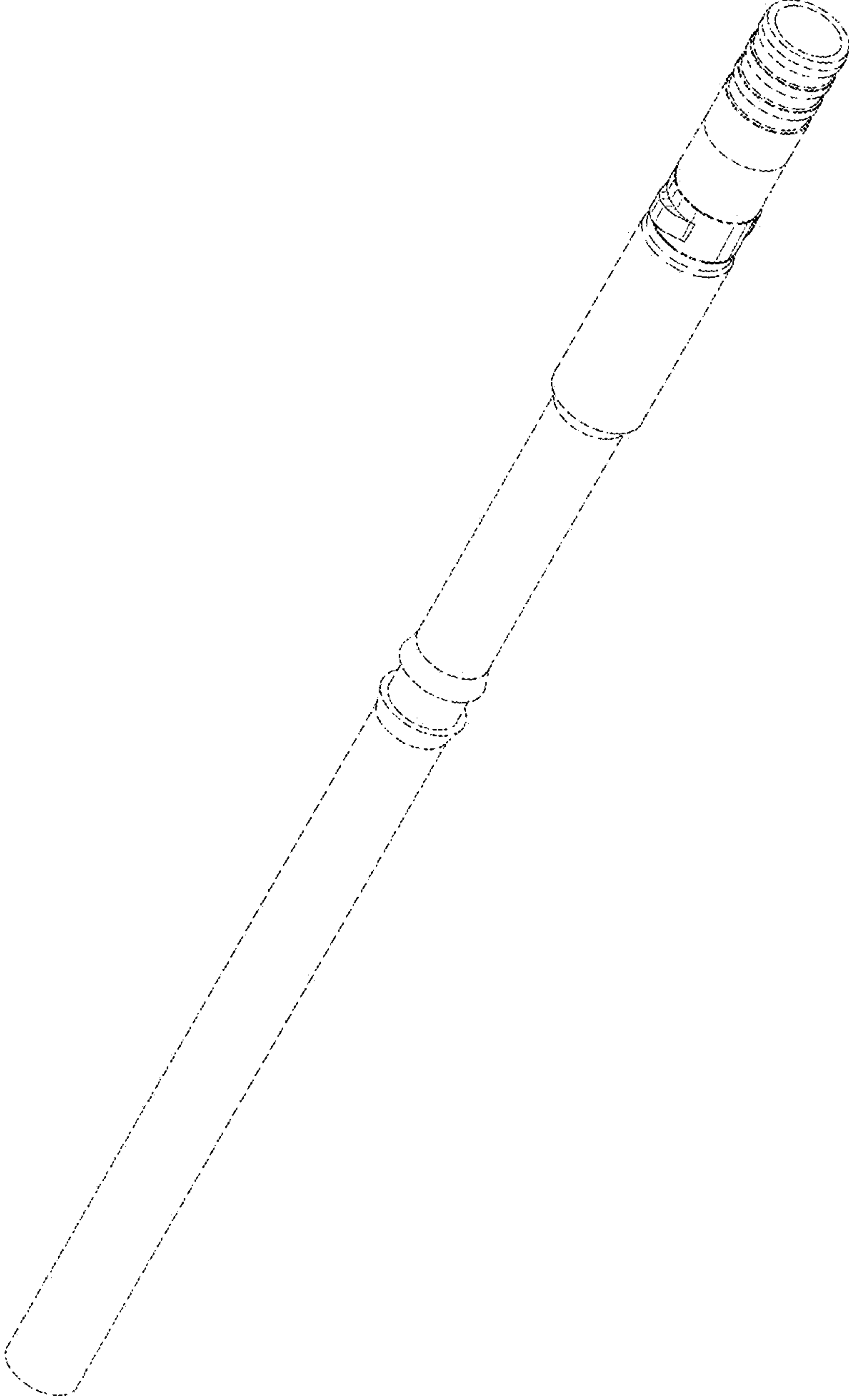


FIG. 2

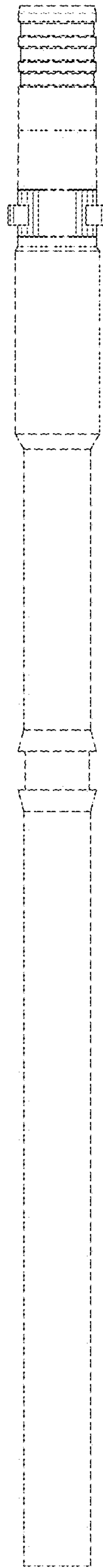


FIG. 3

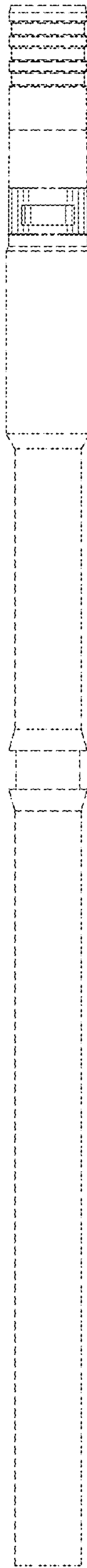


FIG. 4



FIG. 5

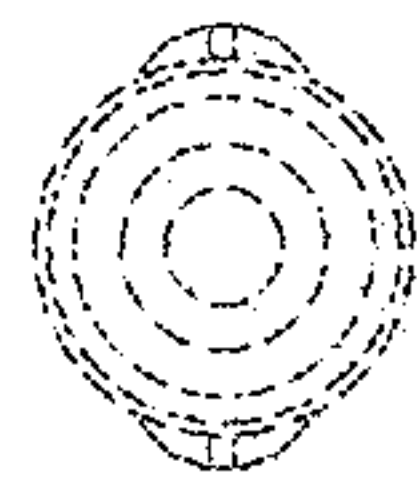


FIG. 6