



US00D924283S

(12) **United States Design Patent**  
**Binzel et al.**

(10) **Patent No.:** **US D924,283 S**  
(45) **Date of Patent:** **\*\* Jul. 6, 2021**

(54) **CABLE SUPPORT**

(71) Applicant: **TBI Industries GmbH**, Fernwald (DE)

(72) Inventors: **Oliver Binzel**, MuttENZ (CH); **Marc A. Hartel**, Reiskirchen (DE)

(73) Assignee: **TBI INDUSTRIES GMBH**, Fernwald (DE)

(\*\*) Term: **15 Years**

(21) Appl. No.: **29/677,117**

(22) Filed: **Jan. 17, 2019**

(51) **LOC (13) Cl.** ..... **15-09**

(52) **U.S. Cl.**  
USPC ..... **D15/138**; D8/364; D8/382

(58) **Field of Classification Search**  
USPC ..... D15/138; D13/154; D08/364, 382-384,  
D08/394; D09/446  
CPC .. F16B 41/00; H01R 4/00; H01R 4/24; H01R  
4/38; H01R 9/05; H01R 9/0524; H01R  
11/03; H01R 12/00; H01R 13/00; H01R  
13/40; H01R 13/44; H01R 13/52; H01R  
13/62; H01R 13/622; H01R 13/639;  
H01R 24/525

See application file for complete search history.

(56) **References Cited**

**U.S. PATENT DOCUMENTS**

D543,154 S *	5/2007	Suckle	.....	D13/154
D561,112 S *	2/2008	Victor	.....	D13/133
D598,865 S *	8/2009	Hwang	.....	D13/156
D649,862 S *	12/2011	Arvinte	.....	D8/339
D706,117 S *	6/2014	Toimil	.....	D8/356
D710,174 S *	8/2014	Moss	.....	D8/70
D710,175 S *	8/2014	Moss	.....	D8/70
D710,176 S *	8/2014	Santamarina	.....	D8/70
D739,354 S *	9/2015	Nook	.....	D13/133
D747,377 S *	1/2016	Hassan	.....	D15/144
D747,378 S *	1/2016	Hassan	.....	D15/144

D752,304 S *	3/2016	Blouin	.....	D32/46
10,122,110 B2 *	11/2018	Binzel	.....	H01R 4/302
D838,249 S *	1/2019	Maroney	.....	D13/154
D840,786 S *	2/2019	Gooden	.....	D8/339
D872,024 S *	1/2020	Watkins	.....	D13/133
D872,693 S *	1/2020	Watkins	.....	D13/133

(Continued)

**FOREIGN PATENT DOCUMENTS**

EM	001924408-0001	*	3/2013
EM	001924408-0006	*	3/2013

**OTHER PUBLICATIONS**

Cable Support, Earliest Available Date Jan. 17, 2019, [Viewed Oct. 9, 2020] Available From TBI Industries Catalog. (Year: 2019).\*

*Primary Examiner* — Sheryl Lane

*Assistant Examiner* — Mark T. Philipps

(74) *Attorney, Agent, or Firm* — Edell, Shapiro & Finnan, LLC

(57) **CLAIM**

The ornamental design for a cable support, as shown and described.

**DESCRIPTION**

FIG. 1 is a front top perspective view of a cable support according to the present invention;

FIG. 2 is a bottom rear perspective view of a cable support of FIG. 1;

FIG. 3 is a front view of the cable support of FIG. 1;

FIG. 4 is a rear view of the cable support of FIG. 1;

FIG. 5 is a top view of the cable support of FIG. 1;

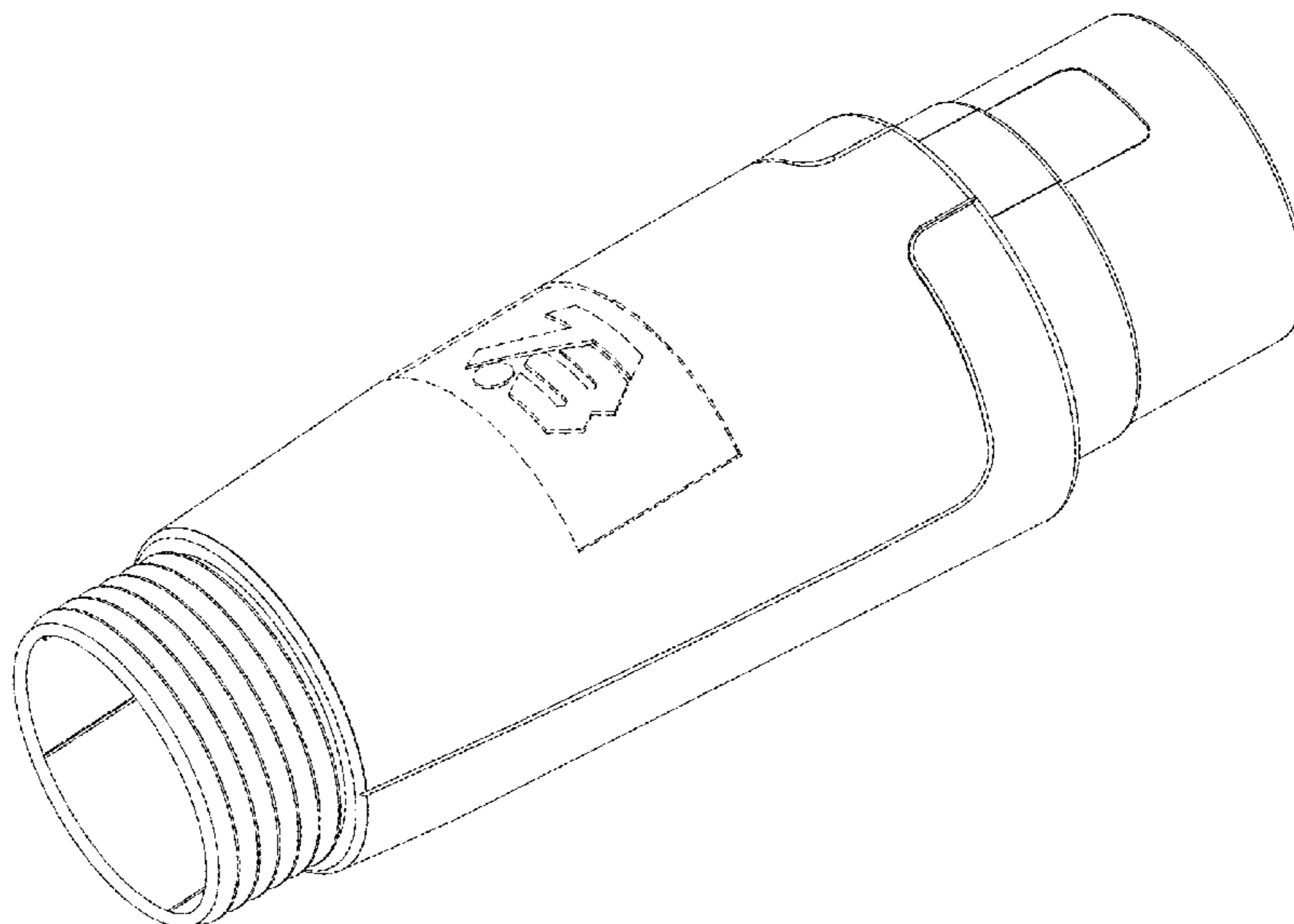
FIG. 6 is a bottom view of cable support of FIG. 1;

FIG. 7 is a left side view of the cable support of FIG. 1; and,

FIG. 8 is a right side view of the cable support of FIG. 1.

The broken lines in the figures show portions of the cable support that form no part of the claimed design.

**1 Claim, 4 Drawing Sheets**



(56)

**References Cited**

U.S. PATENT DOCUMENTS

D875,051	S *	2/2020	Watkins	.....	D13/154
D875,053	S *	2/2020	Shono	.....	D13/182
D875,054	S *	2/2020	Shono	.....	D13/182
D888,529	S *	6/2020	Hartel	.....	D8/107
10,720,731	B2 *	7/2020	Pearman	.....	B23K 9/32
10,756,455	B2 *	8/2020	Bence	.....	H01R 9/05
10,756,483	B2 *	8/2020	Montena	.....	H01R 13/622
D895,775	S *	9/2020	Horning	.....	D23/265
D896,352	S *	9/2020	Horning	.....	D23/265
2006/0218752	A1 *	10/2006	Potempa	.....	B05C 17/0205 16/429
2020/0259318	A1 *	8/2020	Purdy	.....	G02B 6/2558
2020/0358209	A1 *	11/2020	Brode	.....	H01R 9/0524
2020/0358232	A1 *	11/2020	Watkins	.....	H01R 24/40

\* cited by examiner

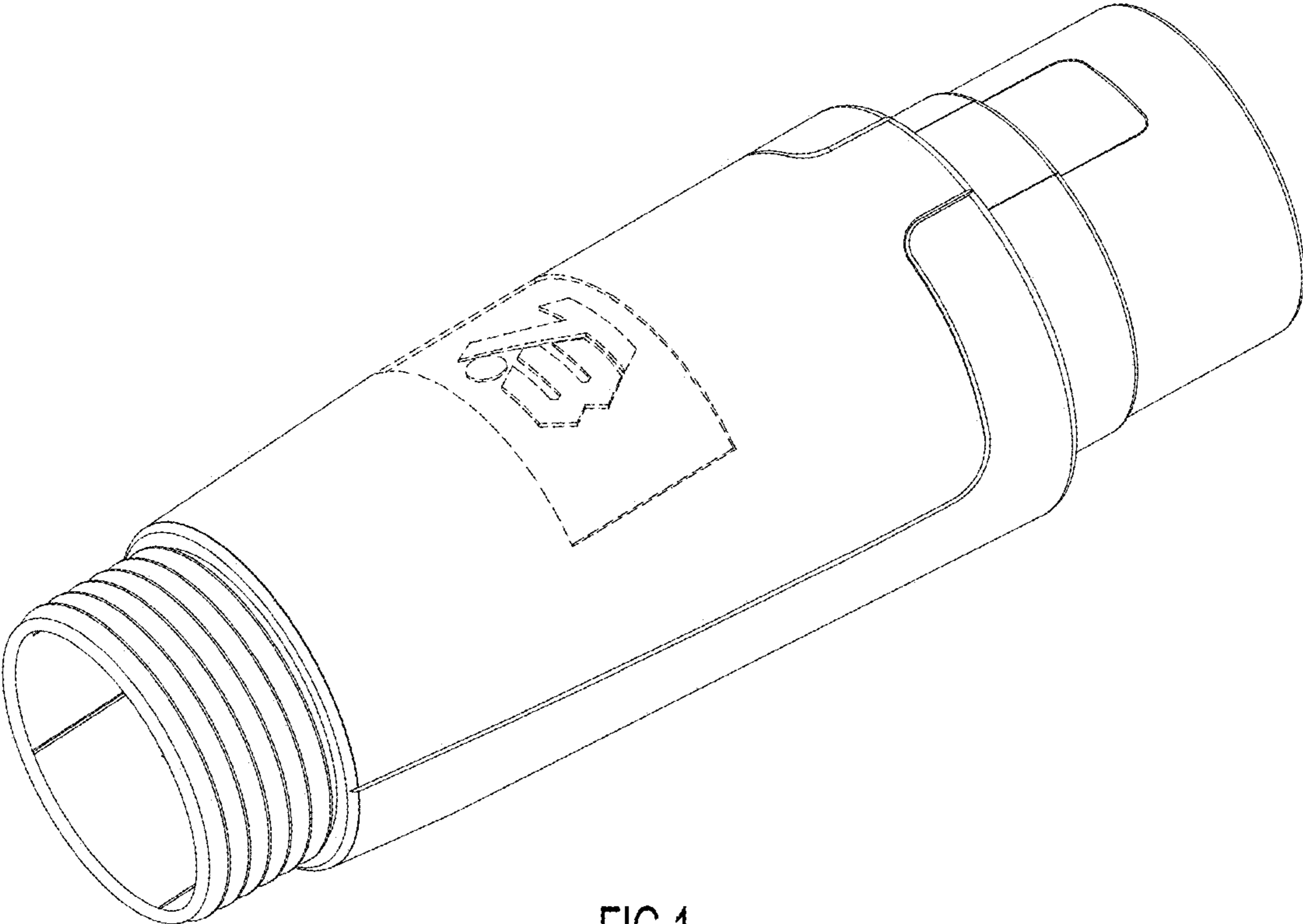


FIG.1

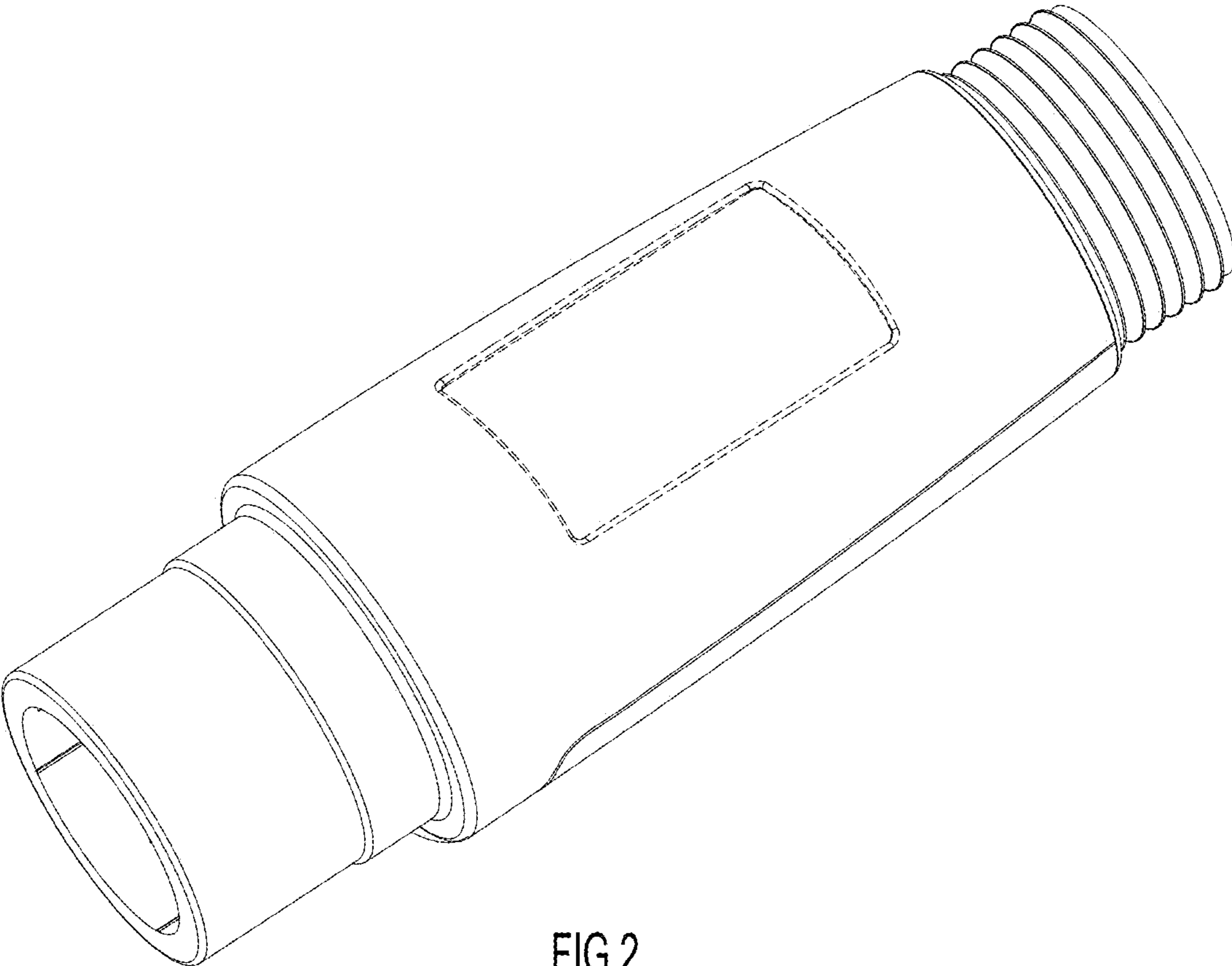


FIG.2

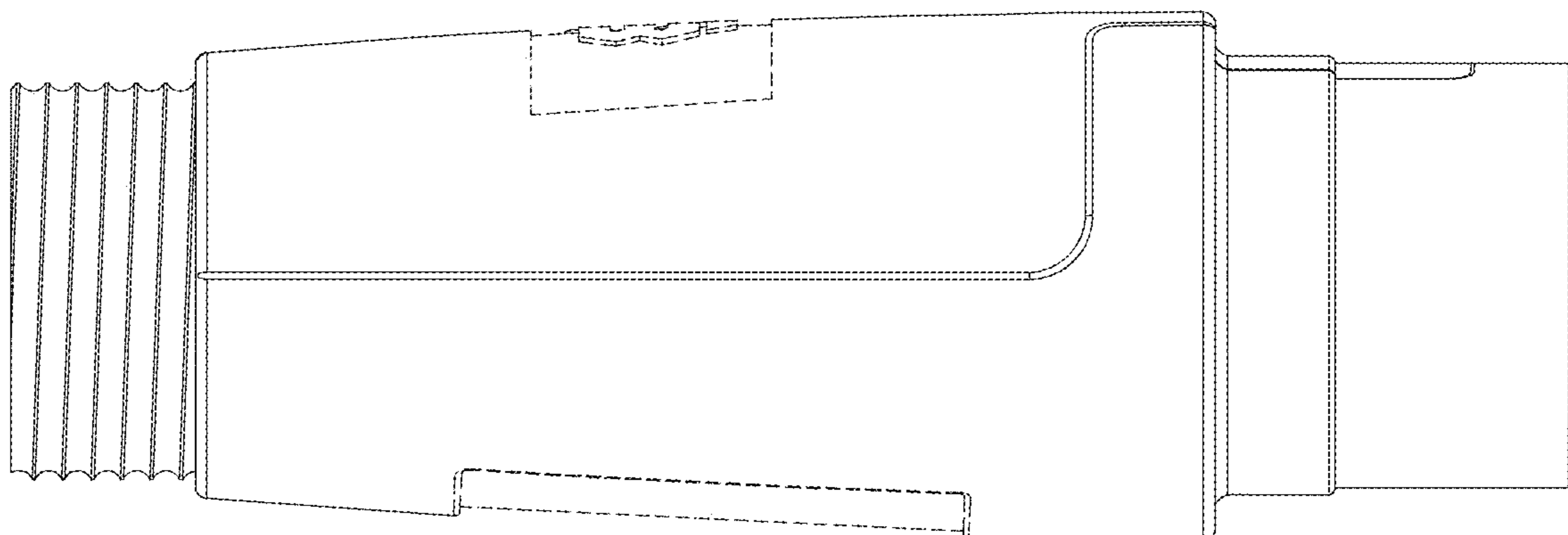


FIG.3

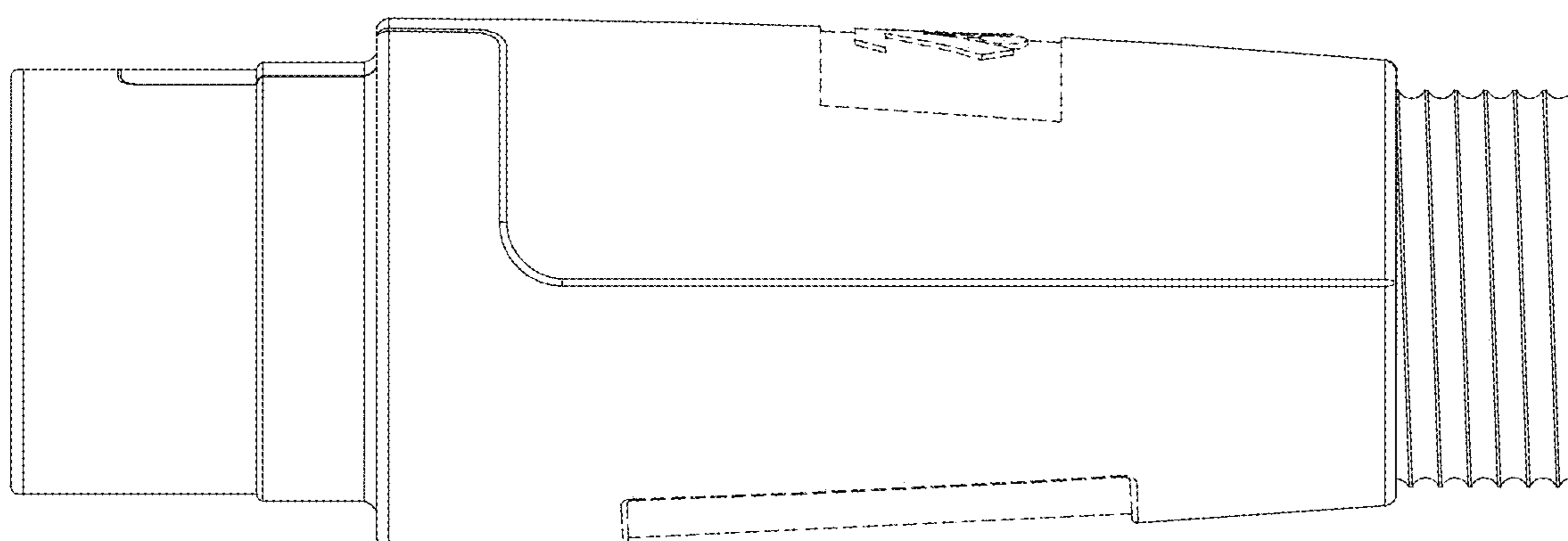


FIG.4

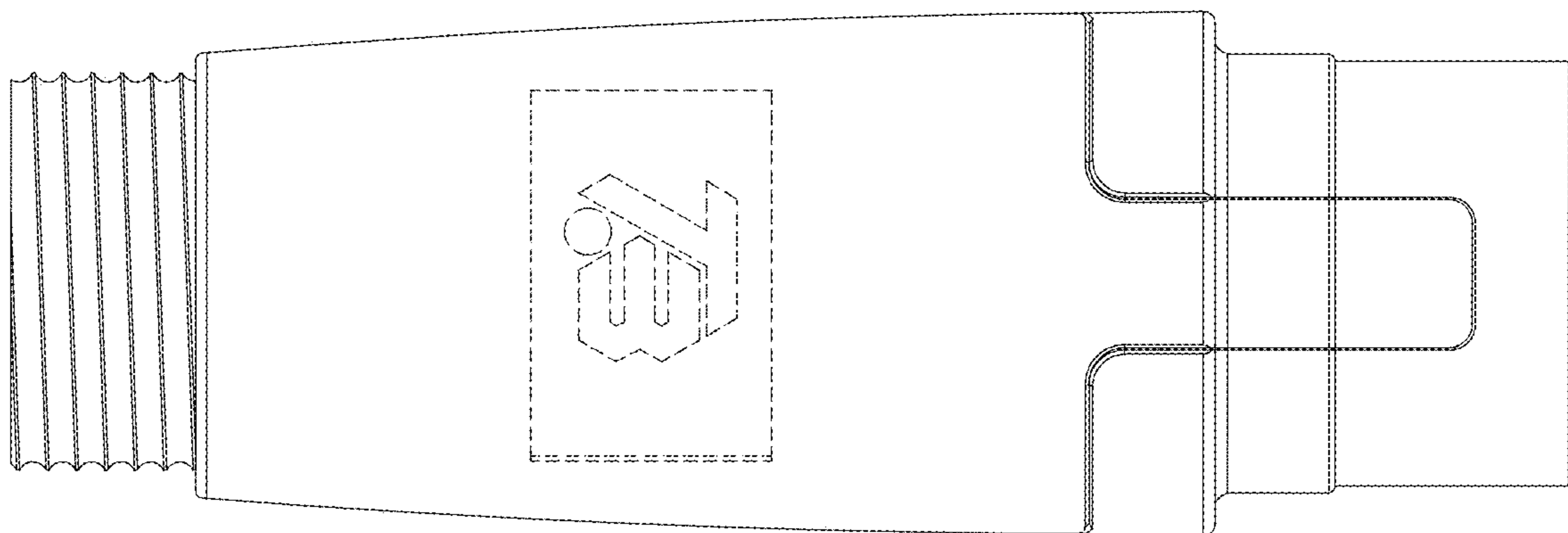


FIG.5

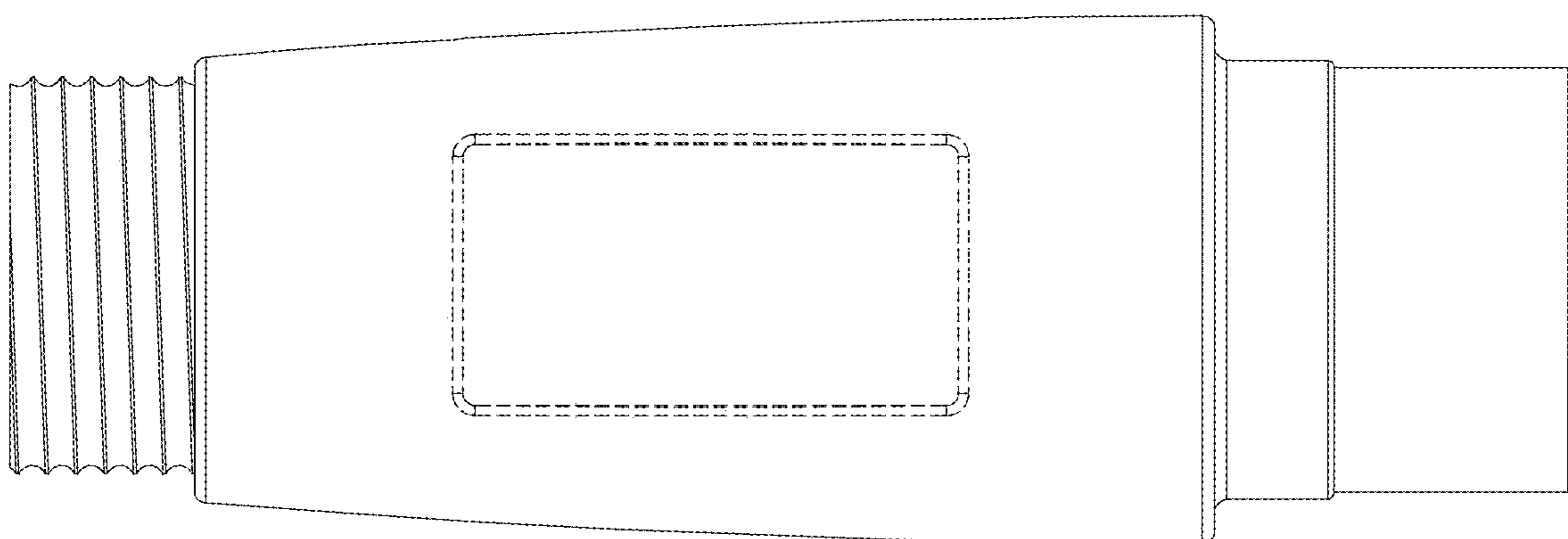


FIG.6

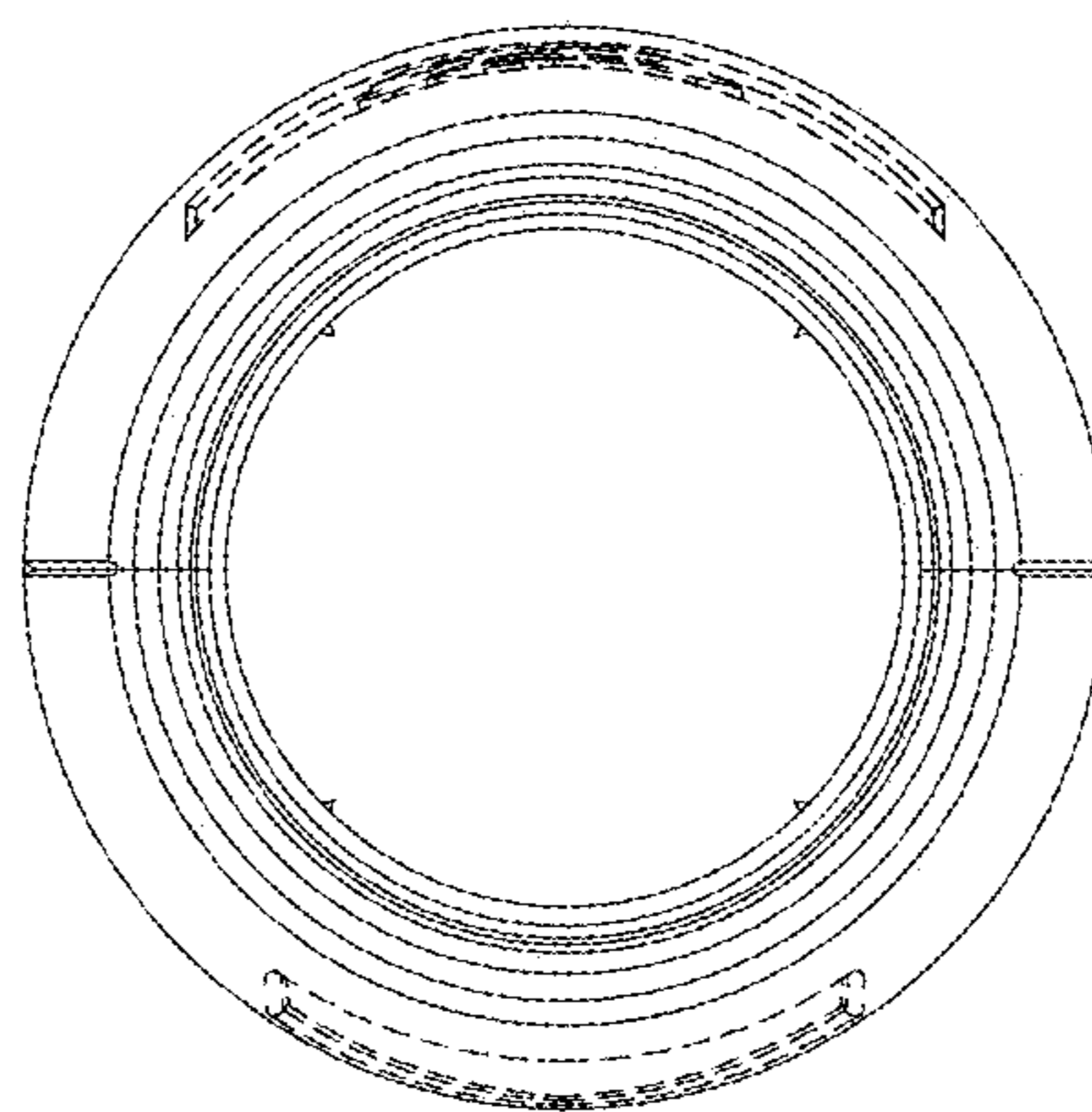


FIG. 7

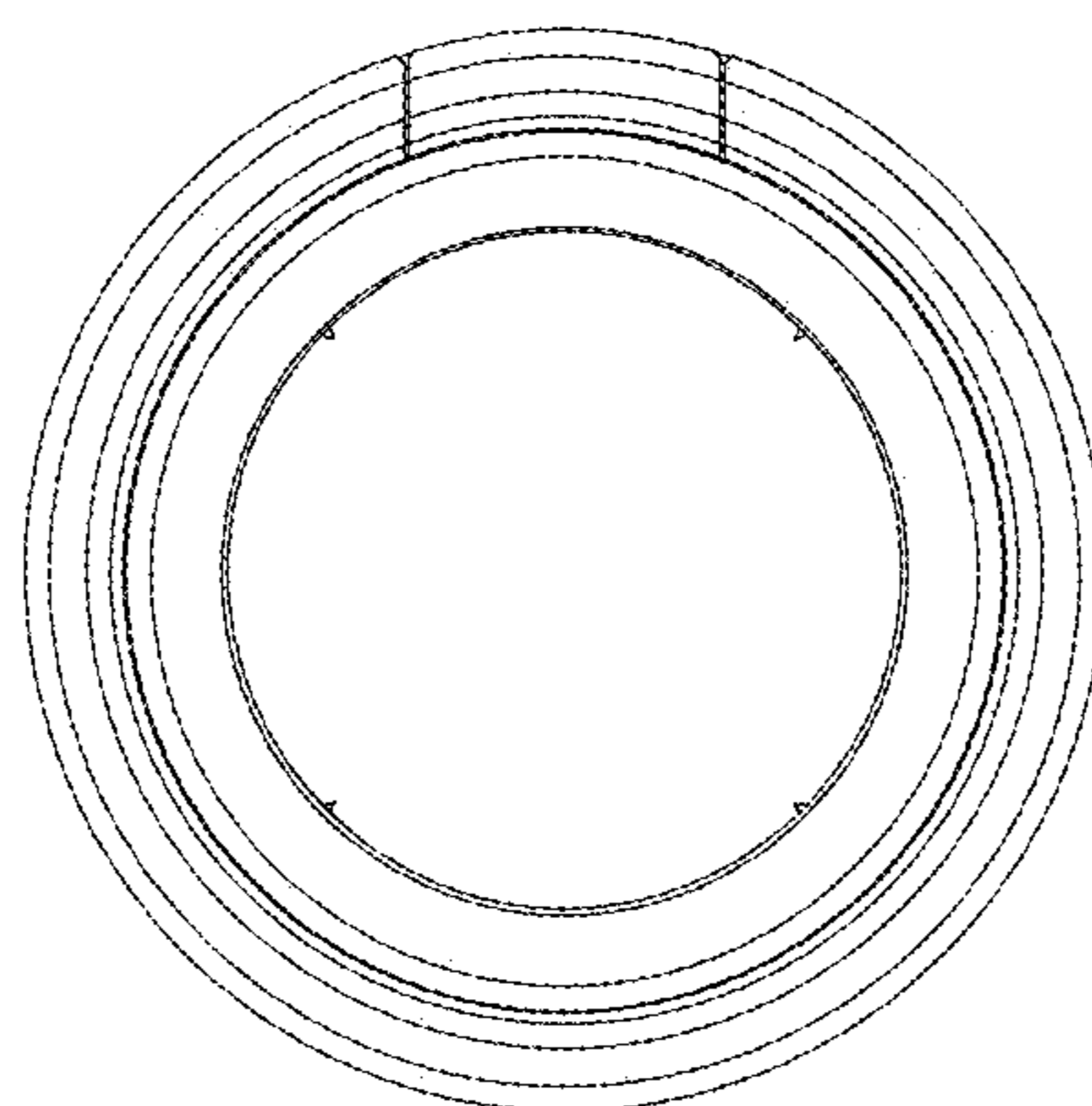


FIG. 8