



US00D924282S

(12) **United States Design Patent** (10) **Patent No.:** **US D924,282 S**
Liu (45) **Date of Patent:** **** Jul. 6, 2021**

- (54) **TABLE SAW**
- (71) Applicant: **BLACK & DECKER INC.**, New Britain, CT (US)
- (72) Inventor: **Chao Lein Liu**, Taichung (TW)
- (73) Assignee: **BLACK & DECKER INC.**, New Britain, CT (US)
- (**) Term: **15 Years**
- (21) Appl. No.: **29/652,099**
- (22) Filed: **May 12, 2020**
- (51) **LOC (13) Cl.** **15-09**
- (52) **U.S. Cl.**
 USPC **D15/133**
- (58) **Field of Classification Search**
 USPC D8/61, 64-69; D15/133, 134
 CPC B27G 19/00; B27G 19/02; B27G 19/04;
 B27G 19/08; B27G 21/00
 See application file for complete search history.

(56) **References Cited**

U.S. PATENT DOCUMENTS

D357,140 S *	4/1995	Hollinger	D6/684
D425,529 S *	5/2000	Svetlik	D15/133
D486,504 S *	2/2004	Huang	D15/133
D512,447 S *	12/2005	Scholz	D15/133
D514,604 S *	2/2006	Welsh	D15/133
D528,571 S *	9/2006	Welsh	D15/133
D529,252 S *	9/2006	Wu	D34/24

D537,853 S *	3/2007	Liu	D15/133
D545,330 S *	6/2007	DiPasquale	D15/133
D577,374 S *	9/2008	Leasure	D15/133
D586,371 S *	2/2009	Leasure	D15/133
D587,289 S *	2/2009	Leasure	D15/133
D594,484 S *	6/2009	Leasure	D15/133
D595,324 S *	6/2009	Wu	D15/141
D626,157 S *	10/2010	Jebb	D15/133
D626,158 S *	10/2010	Jebb	D15/133
D715,337 S *	10/2014	Scherl	D15/133
D800,803 S *	10/2017	Laliberte	D15/133
D870,167 S *	12/2019	Firth	D15/133

* cited by examiner

Primary Examiner — Michael C Stout
Assistant Examiner — Fritzgerald L Butac
 (74) *Attorney, Agent, or Firm* — Adan Ayala

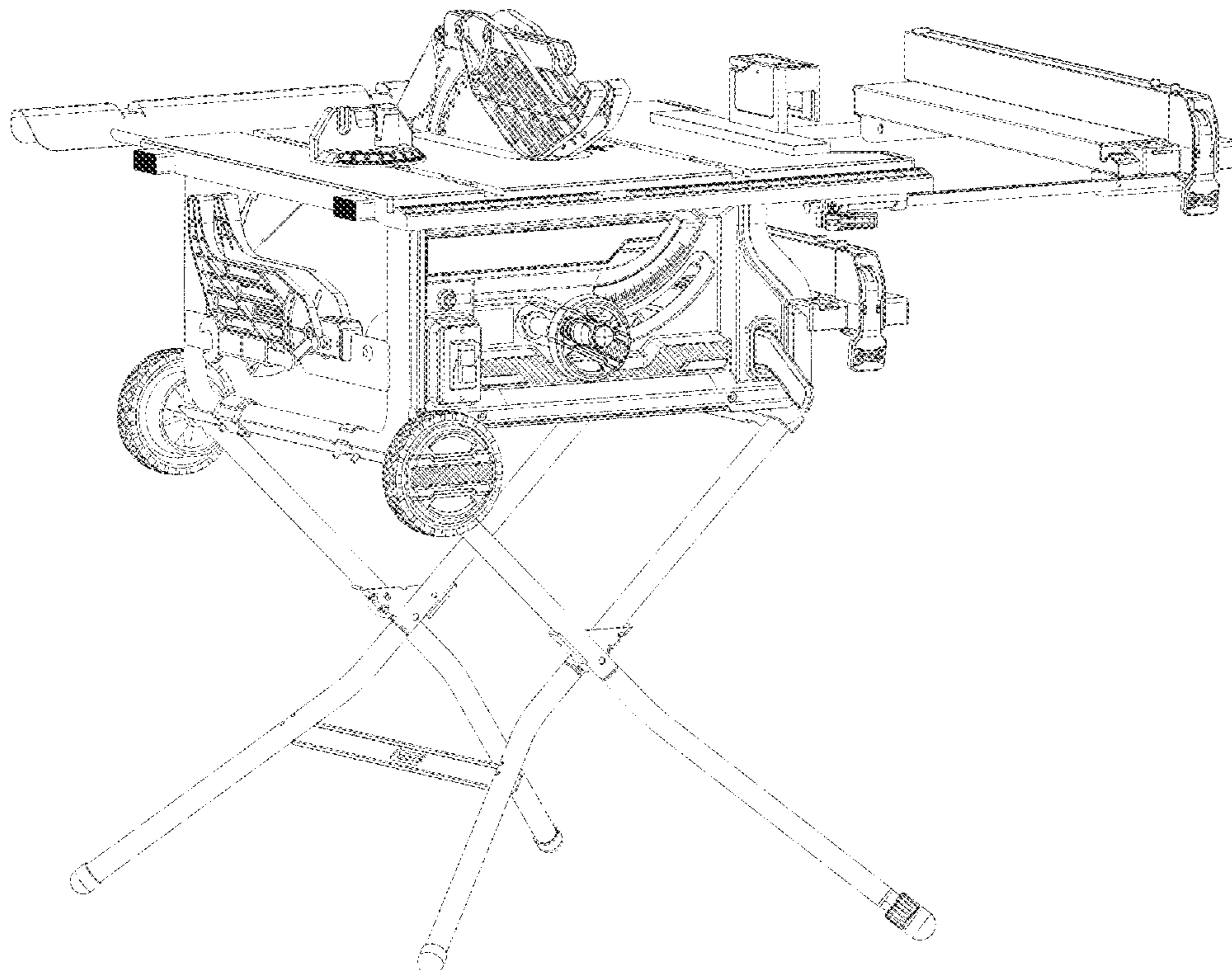
(57) **CLAIM**

The ornamental design for a table saw, as shown and described.

DESCRIPTION

FIG. 1 is a front perspective view of a table saw according to the invention.
 FIG. 2 is a front view of the table saw of FIG. 1.
 FIG. 3 is a rear view of the table saw of FIG. 1.
 FIG. 4 is a right side view of the table saw of FIG. 1.
 FIG. 5 is a left side view of the table saw of FIG. 1.
 FIG. 6 is a top plan view of the table saw of FIG. 1; and,
 FIG. 7 is a bottom plan view of the table saw of FIG. 1.
 The broken lines show portions of a table saw that form no part of the claimed design.

1 Claim, 7 Drawing Sheets



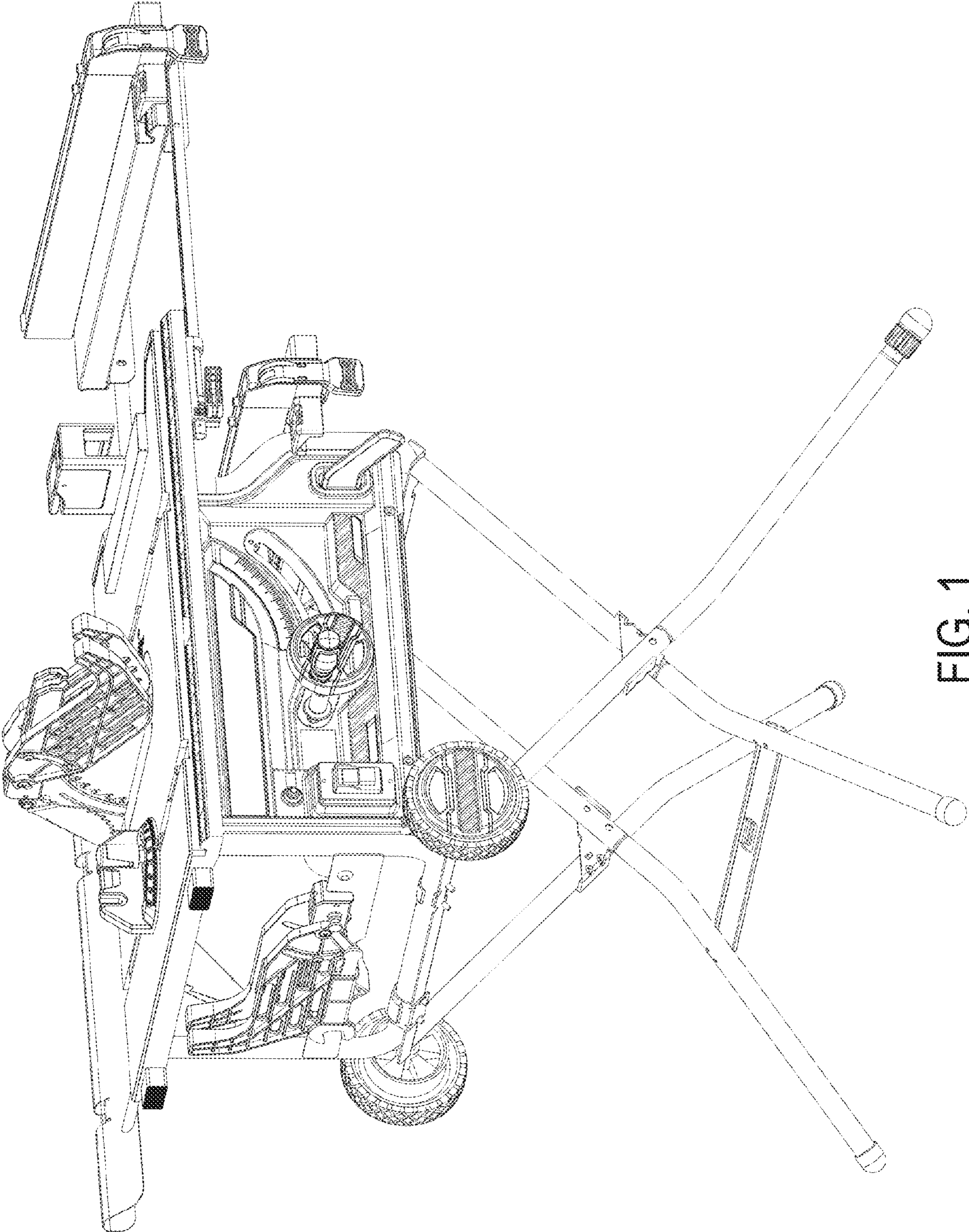


FIG. 1

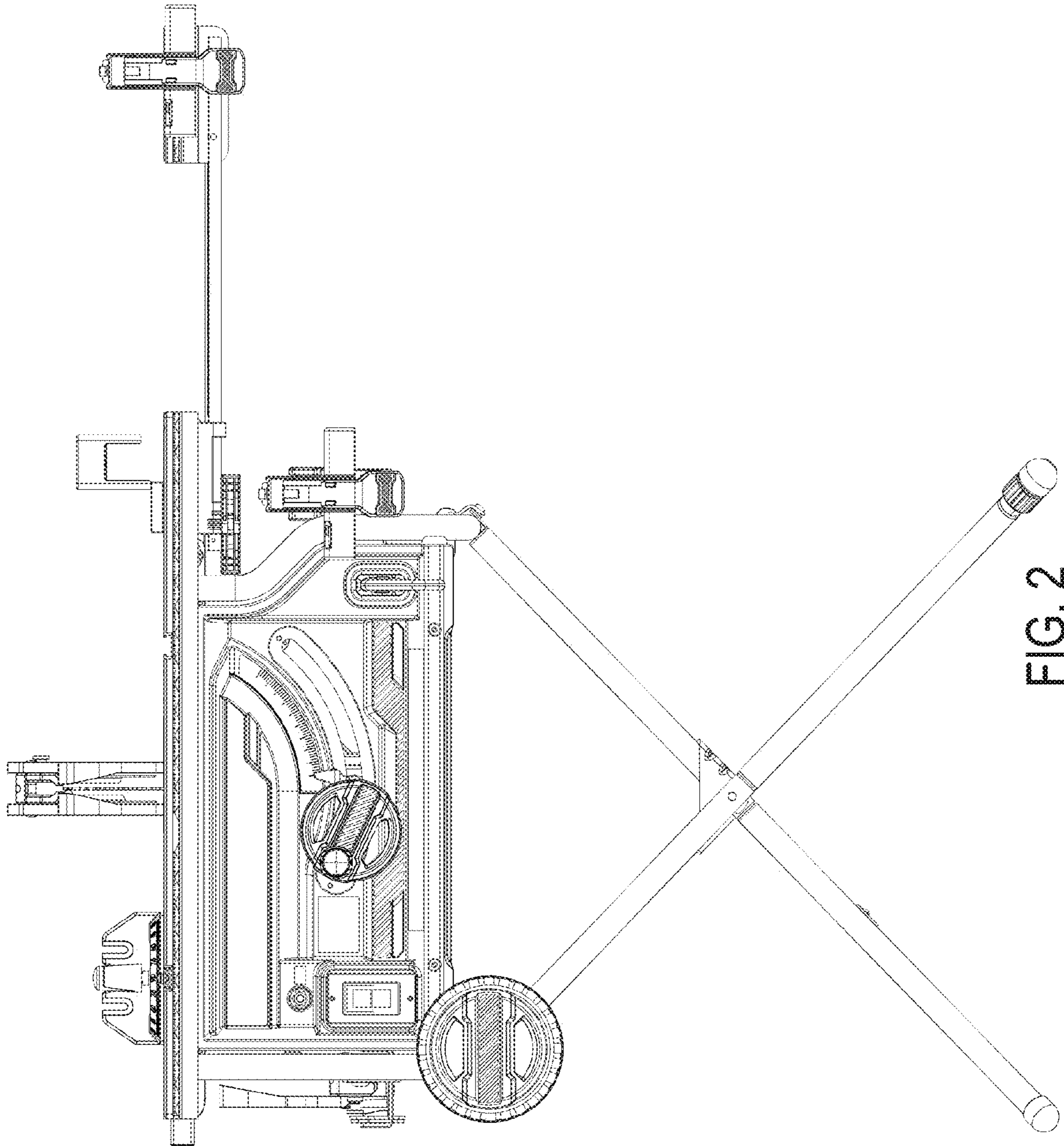


FIG. 2

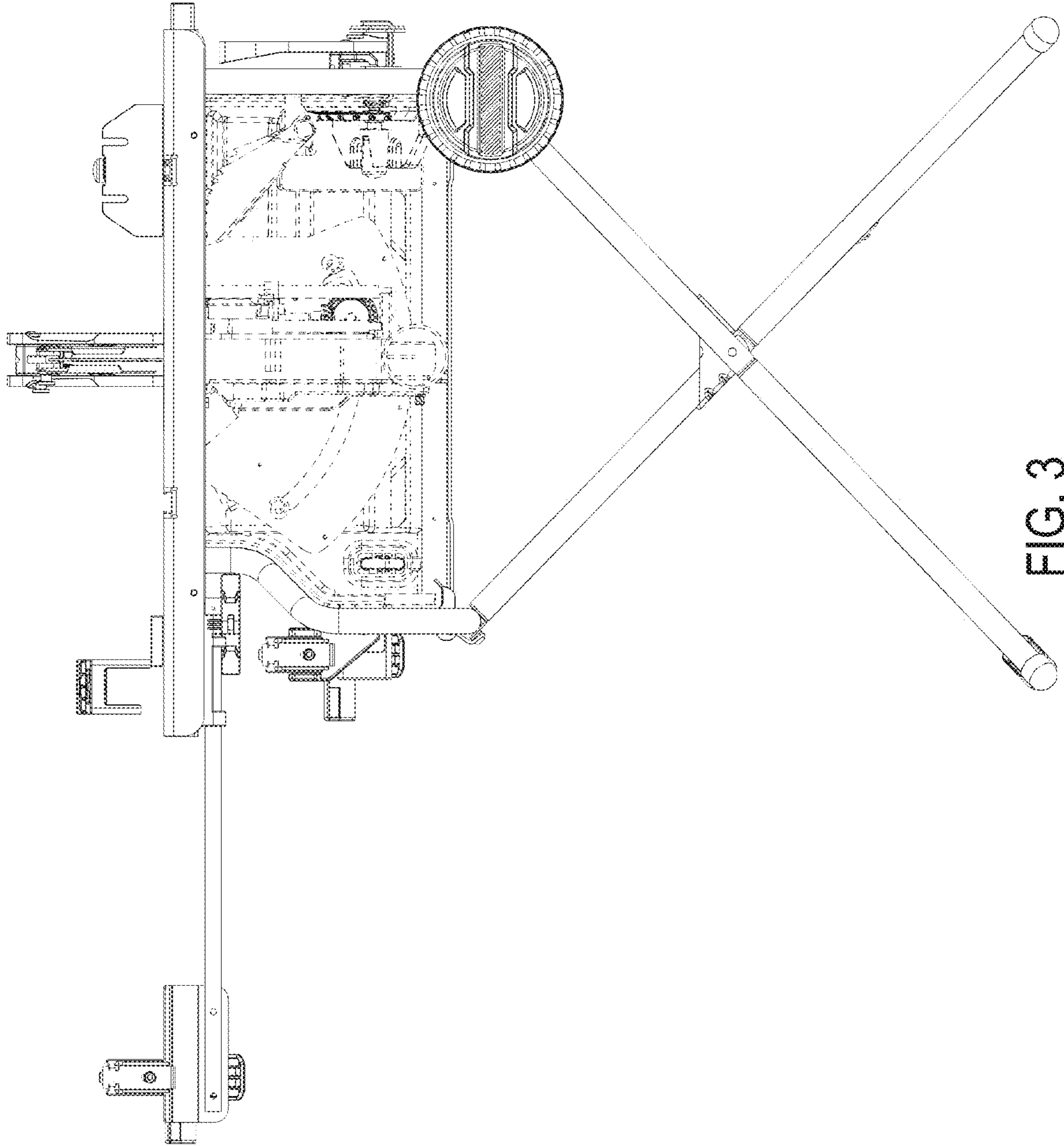


FIG. 3

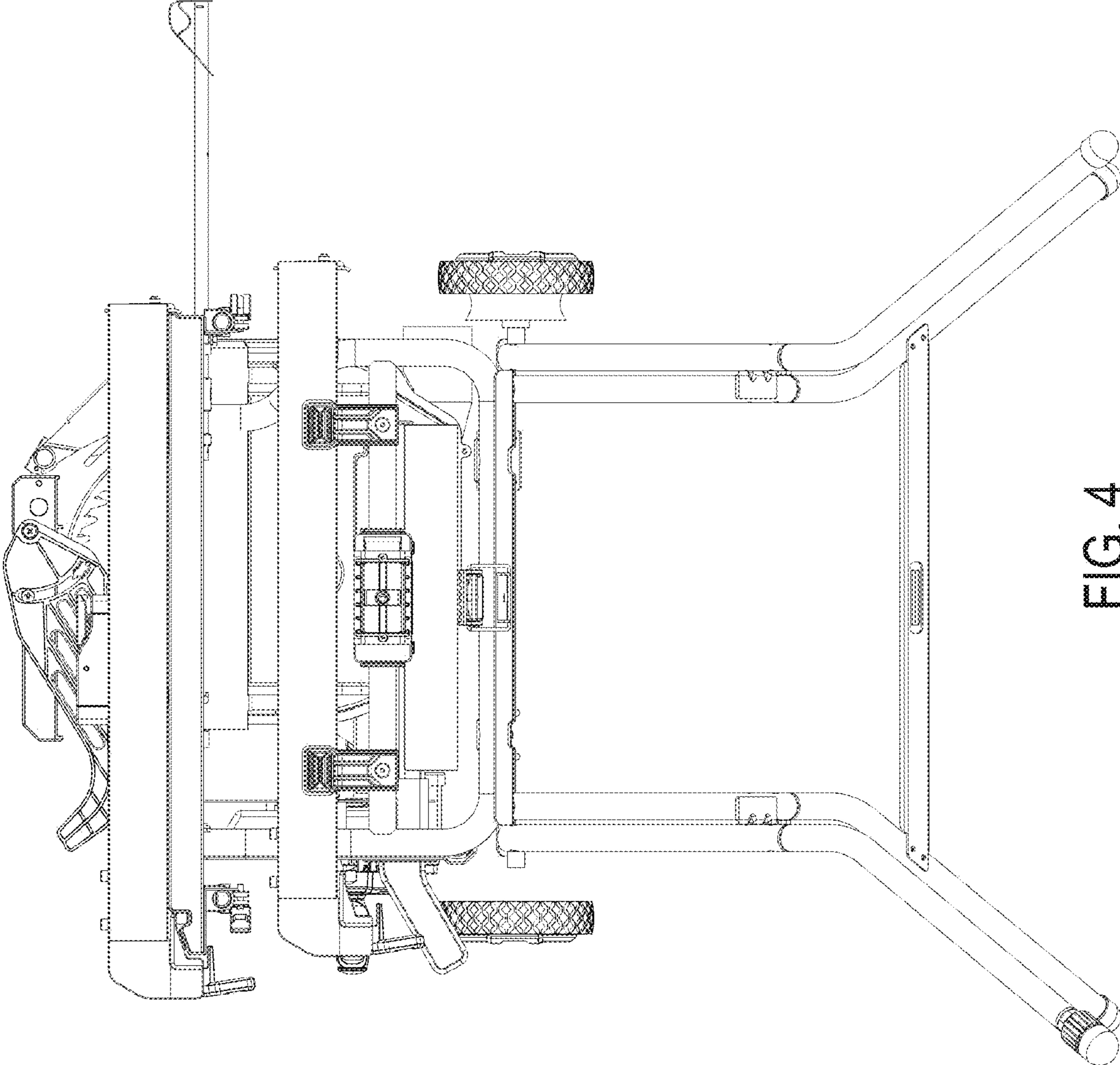


FIG. 4

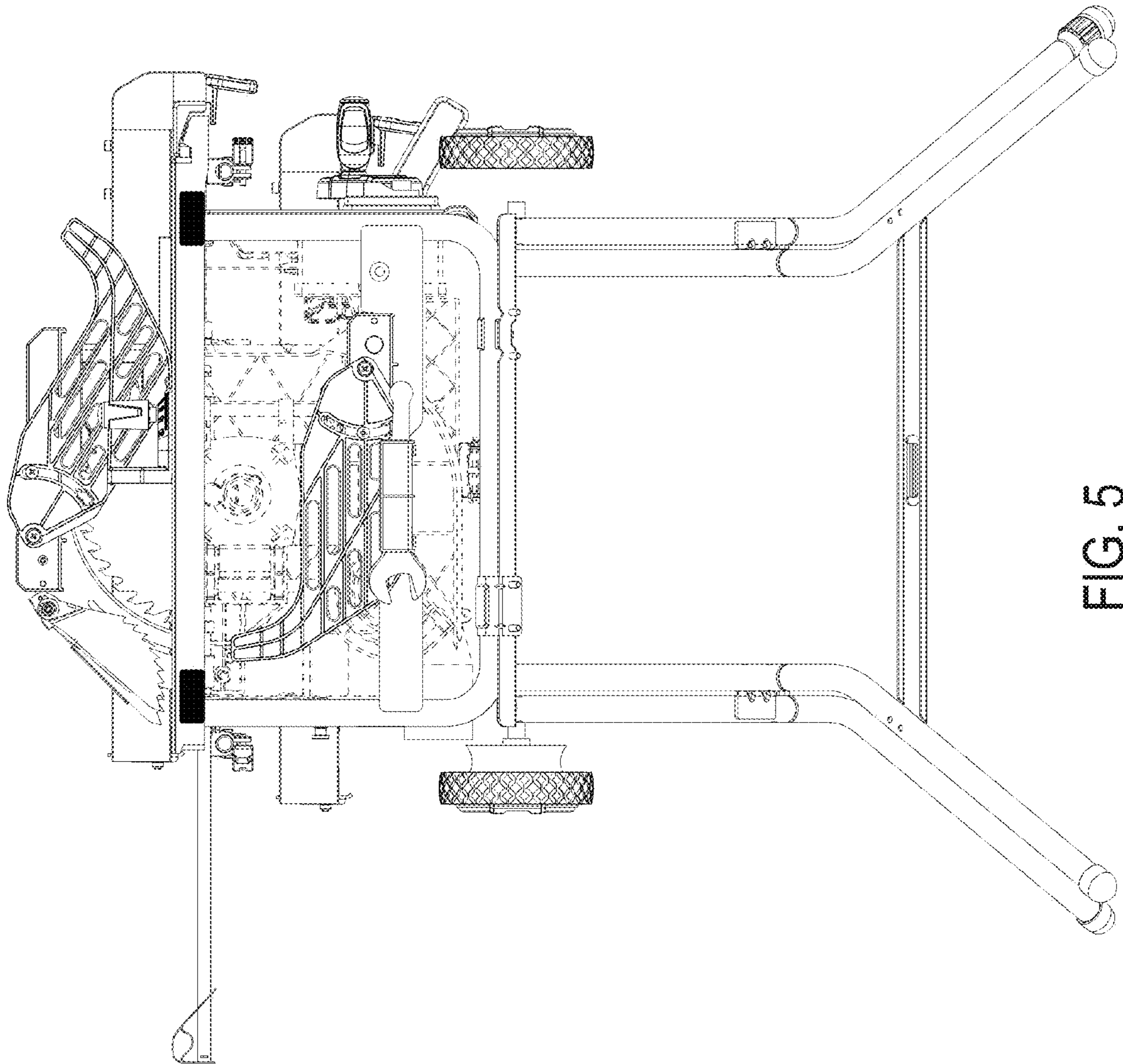


FIG. 5

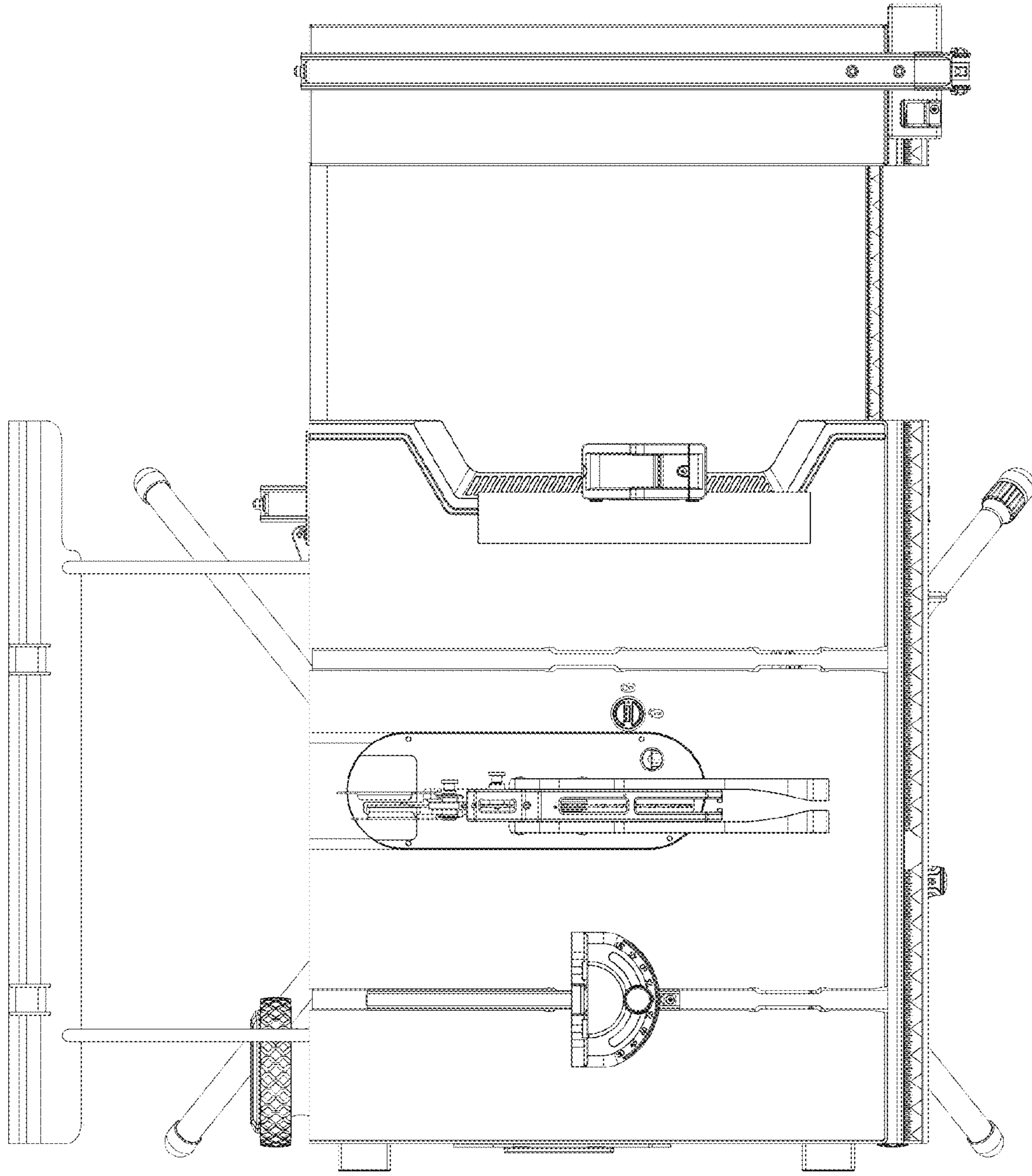


FIG. 6

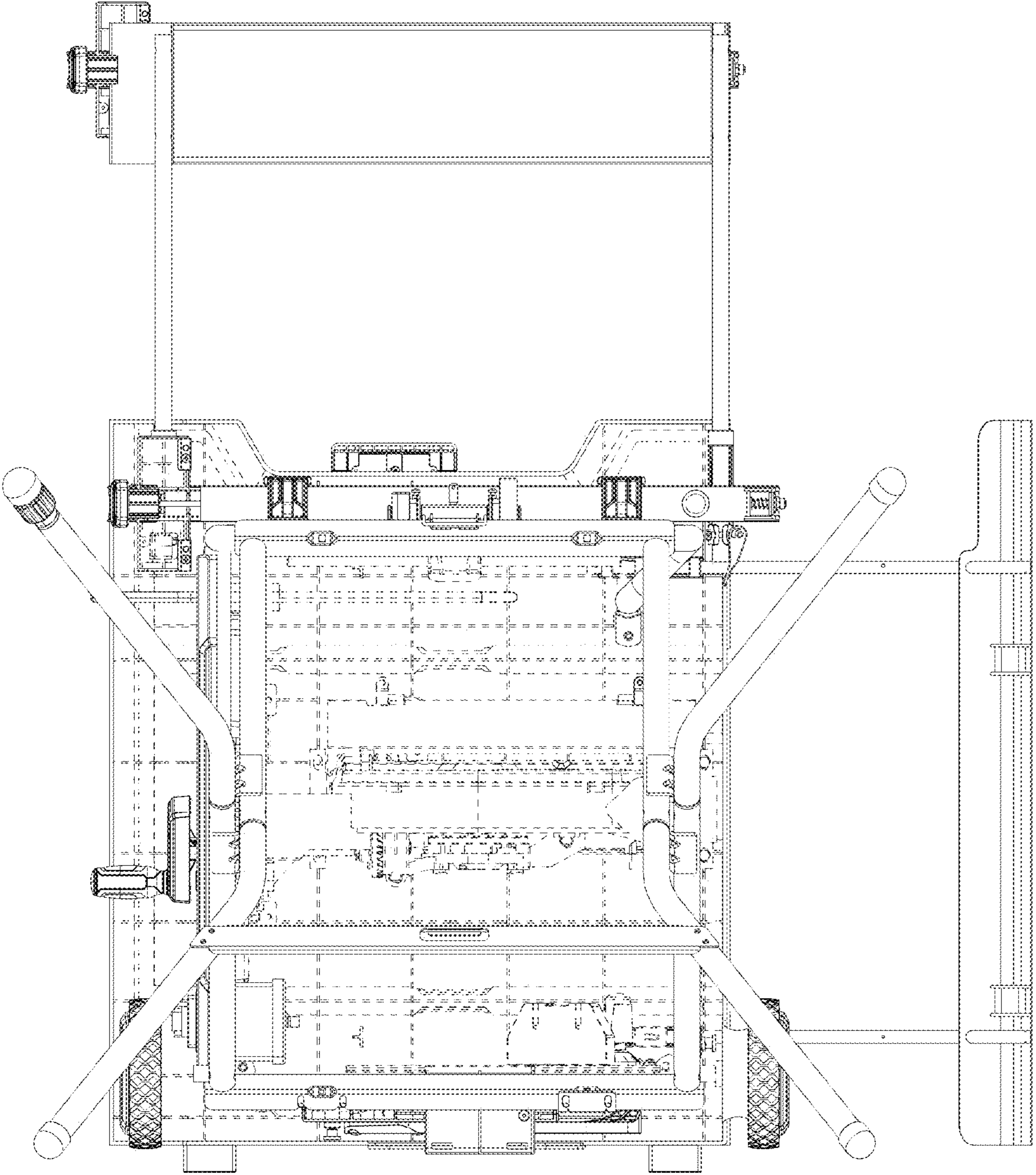


FIG. 7