



US00D924280S

(12) **United States Design Patent** (10) **Patent No.:** **US D924,280 S**
Hong (45) **Date of Patent:** **** Jul. 6, 2021**

(54) **ICE CUBE TRAY**
(71) Applicant: **Tingzhou Hong**, Zhanjiang (CN)
(72) Inventor: **Tingzhou Hong**, Zhanjiang (CN)
(**) Term: **15 Years**
(21) Appl. No.: **29/762,767**
(22) Filed: **Dec. 18, 2020**
(51) **LOC (13) Cl.** **15-07**
(52) **U.S. Cl.**
USPC **D15/90**
(58) **Field of Classification Search**
USPC D15/79-91; D7/619.1, 603.2, 213, 305,
D7/602, 619.2, 701, 708, 600.1
CPC .. F25D 11/00; F25D 17/065; F25D 2325/022;
F25D 23/069; F25D 25/025; F25D 11/02;
F25D 17/062; F25D 21/12; F25D 21/125;
F25D 21/14; F25D 2317/061; F25D
2317/067; F25D 2323/021; F25D
2323/024; F25D 23/028; F25D 23/04;
F25D 23/066; F25D 23/085; F25D
23/087; F25D 23/126; F25D 2400/02;
F25D 2400/06; F25D 2400/361; F25D
2400/40; F25D 25/005; F25D 25/02;
F25D 2600/02; F25D 2700/02; F25D
2700/12; F25D 2700/121; F25D 2700/14;
F25D 29/00
See application file for complete search history.

(56) **References Cited**
U.S. PATENT DOCUMENTS
D292,802 S * 11/1987 Fails D15/90
D337,046 S * 7/1993 Fuller D9/415
D346,528 S * 5/1994 Crawford D7/354
D350,478 S * 9/1994 Fuller D3/203.3
D399,134 S * 10/1998 Lidle, Jr. D9/757
D487,673 S * 3/2004 Mishan D7/553.4
D488,952 S * 4/2004 Cubillos D7/357

D496,374 S * 9/2004 Zimmerman D15/90
D500,426 S * 1/2005 Newman D7/357
D505,833 S * 6/2005 Ahearn D7/549
D506,146 S * 6/2005 Hall D9/757
D506,397 S * 6/2005 Hall D9/757
D560,695 S * 1/2008 Marchionda D15/90
D579,264 S * 10/2008 Simon D7/357
D636,412 S * 4/2011 Misse D15/90
D661,541 S * 6/2012 Braden D7/359
D673,003 S * 12/2012 Lion D7/359
D673,004 S * 12/2012 Lion D7/359
D676,470 S * 2/2013 Norin D15/90
D697,095 S * 1/2014 Chan D15/90
D792,735 S * 7/2017 Henry D7/357
D793,799 S * 8/2017 Dunne D7/357

(Continued)

Primary Examiner — Khawaja Anwar

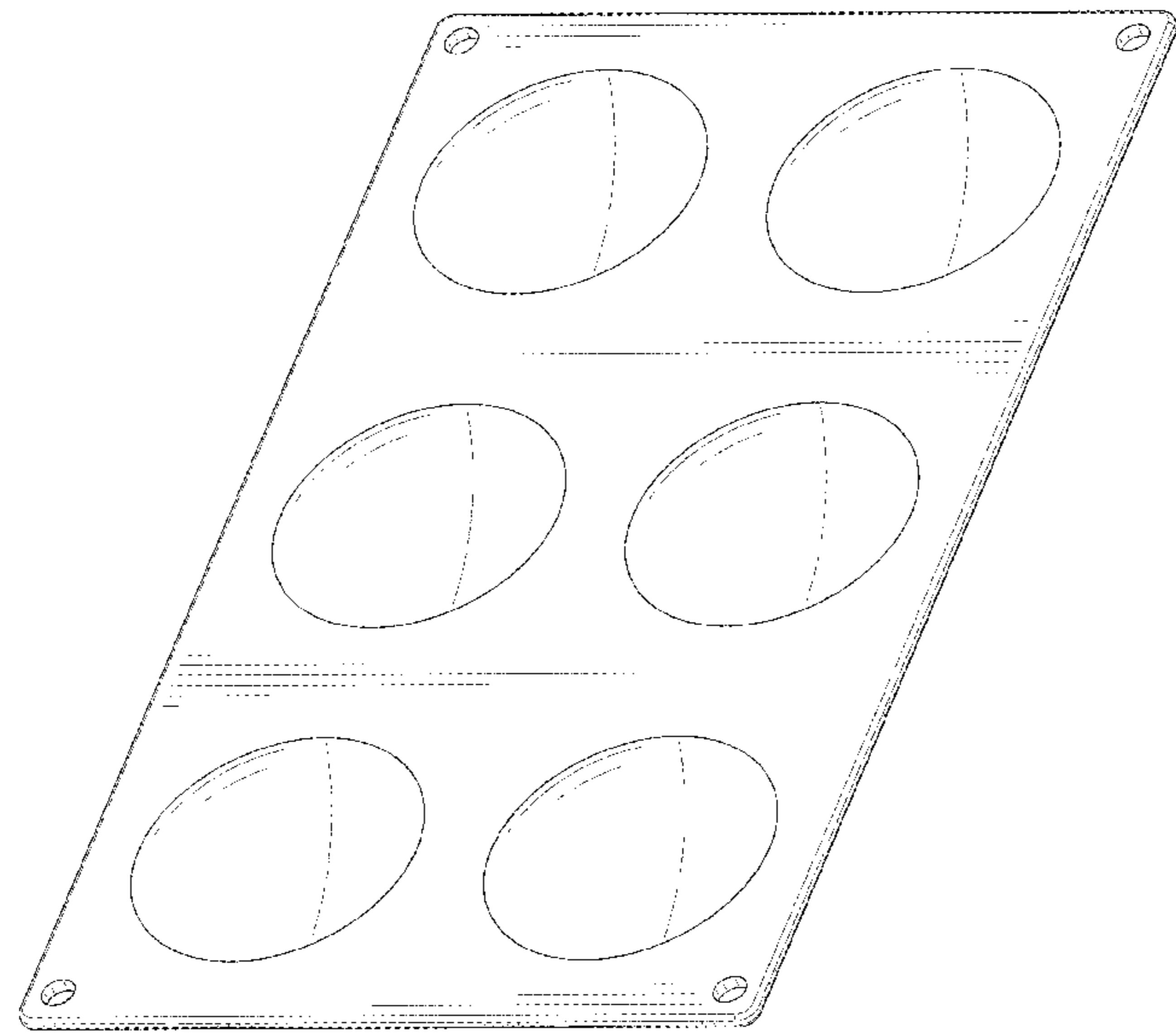
(57) **CLAIM**

The ornamental design for an ice cube tray, as shown and described.

DESCRIPTION

FIG. 1 is a perspective view of a first embodiment of an ice cube tray showing my new design;
FIG. 2 is another perspective view thereof;
FIG. 3 is a front elevational view thereof
FIG. 4 is a rear elevational view thereof;
FIG. 5 is a left side elevational view thereof;
FIG. 6 is a right side elevational view thereof;
FIG. 7 is a top plan view thereof;
FIG. 8 is a bottom plan view thereof;
FIG. 9 is a perspective view of a second embodiment of the ice cube tray showing my new design;
FIG. 10 is another perspective view thereof;
FIG. 11 is a front elevational view thereof;
FIG. 12 is a rear elevational view thereof;
FIG. 13 is a left side elevational view thereof;
FIG. 14 is a right side elevational view thereof;
FIG. 15 is a top plan view thereof; and,
FIG. 16 is a bottom plan view thereof.

1 Claim, 16 Drawing Sheets



(56)

References Cited

U.S. PATENT DOCUMENTS

D800,184 S * 10/2017 Suesz D15/79
D800,577 S * 10/2017 Matos Rodriguez D9/762
D815,883 S * 4/2018 Parrish D7/357
D855,087 S 7/2019 Lopez
D865,821 S 11/2019 Richardson
D914,067 S * 3/2021 Wu D15/90

* cited by examiner

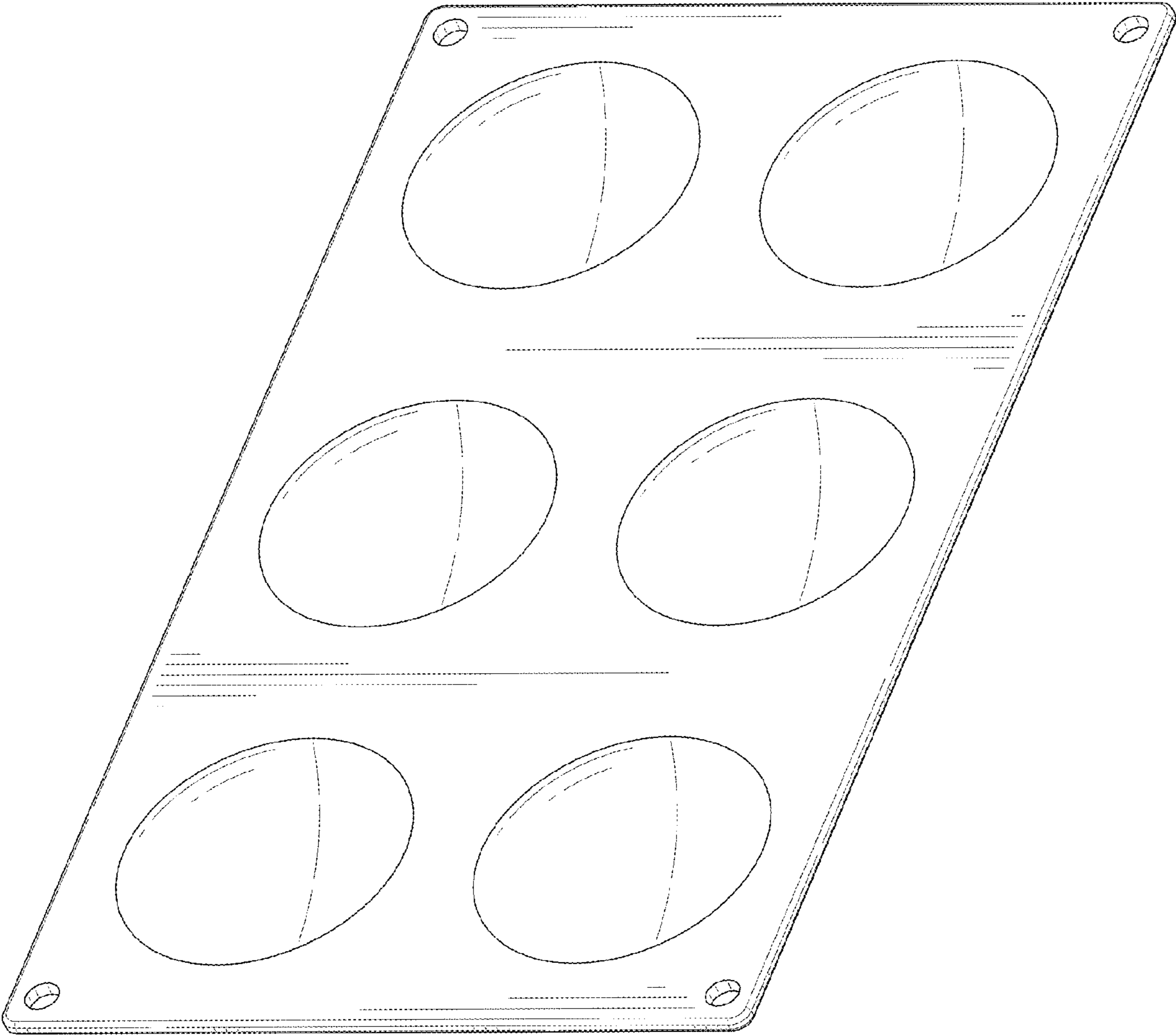


FIG. 1

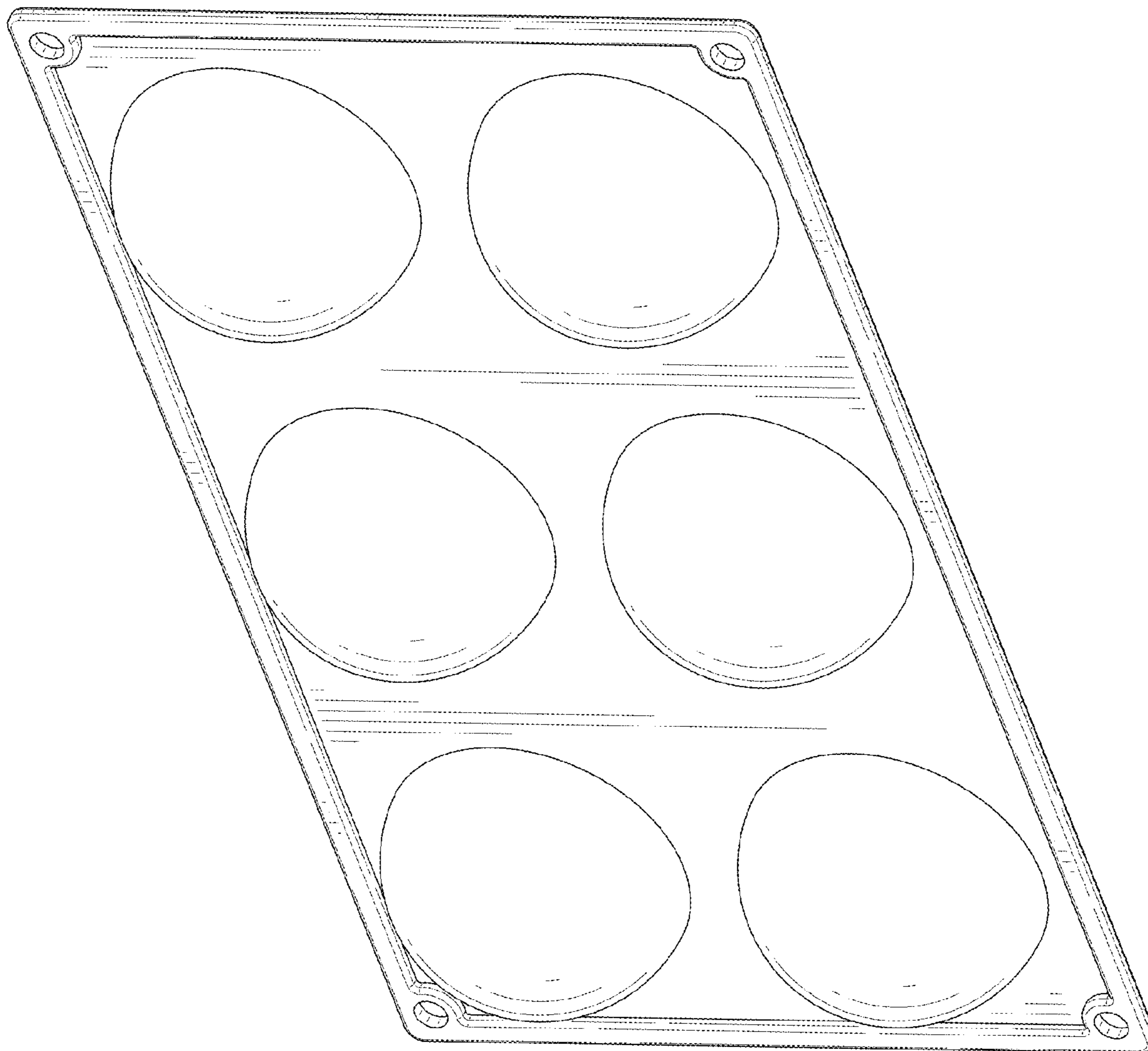


FIG. 2

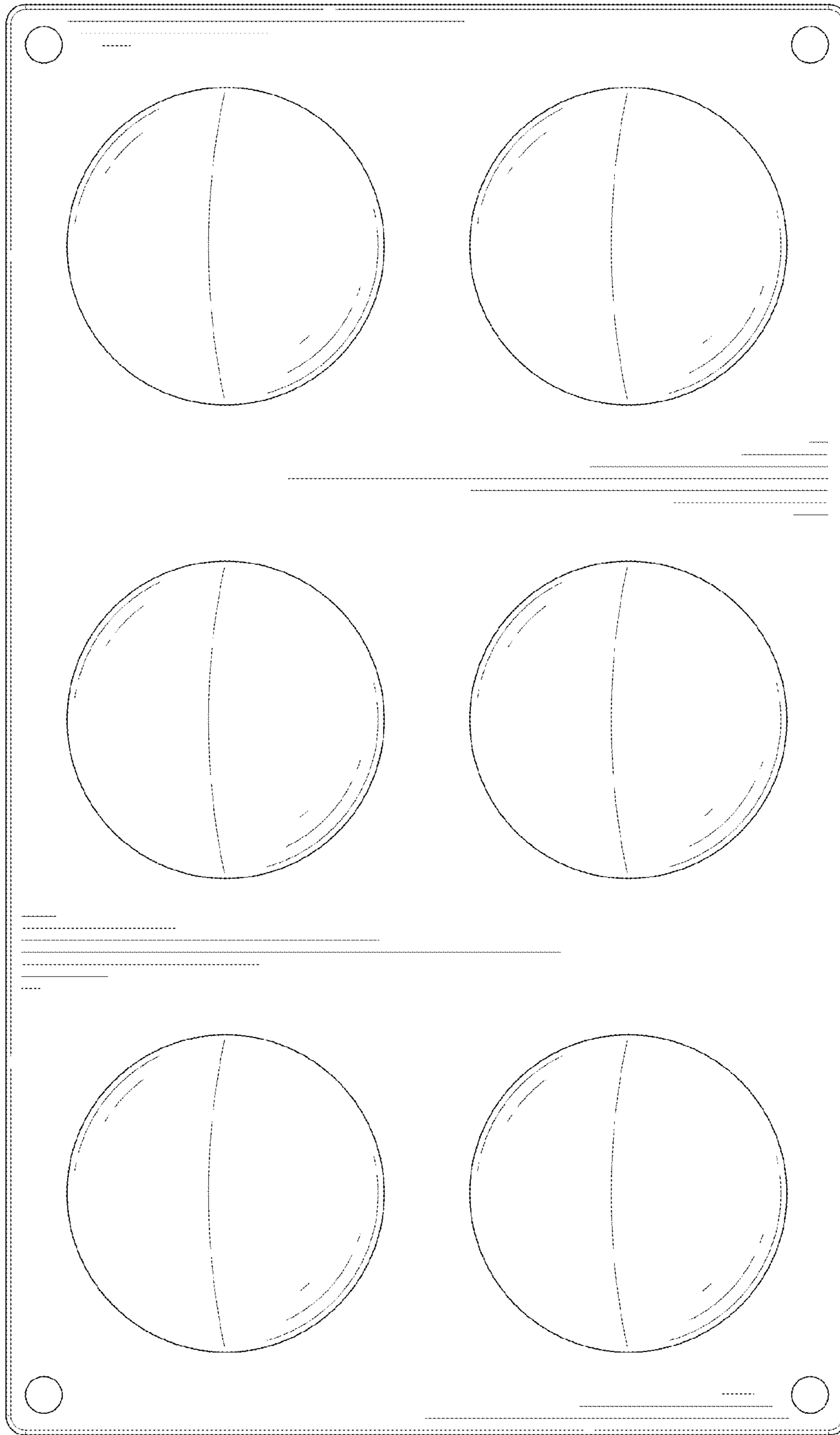


FIG. 3

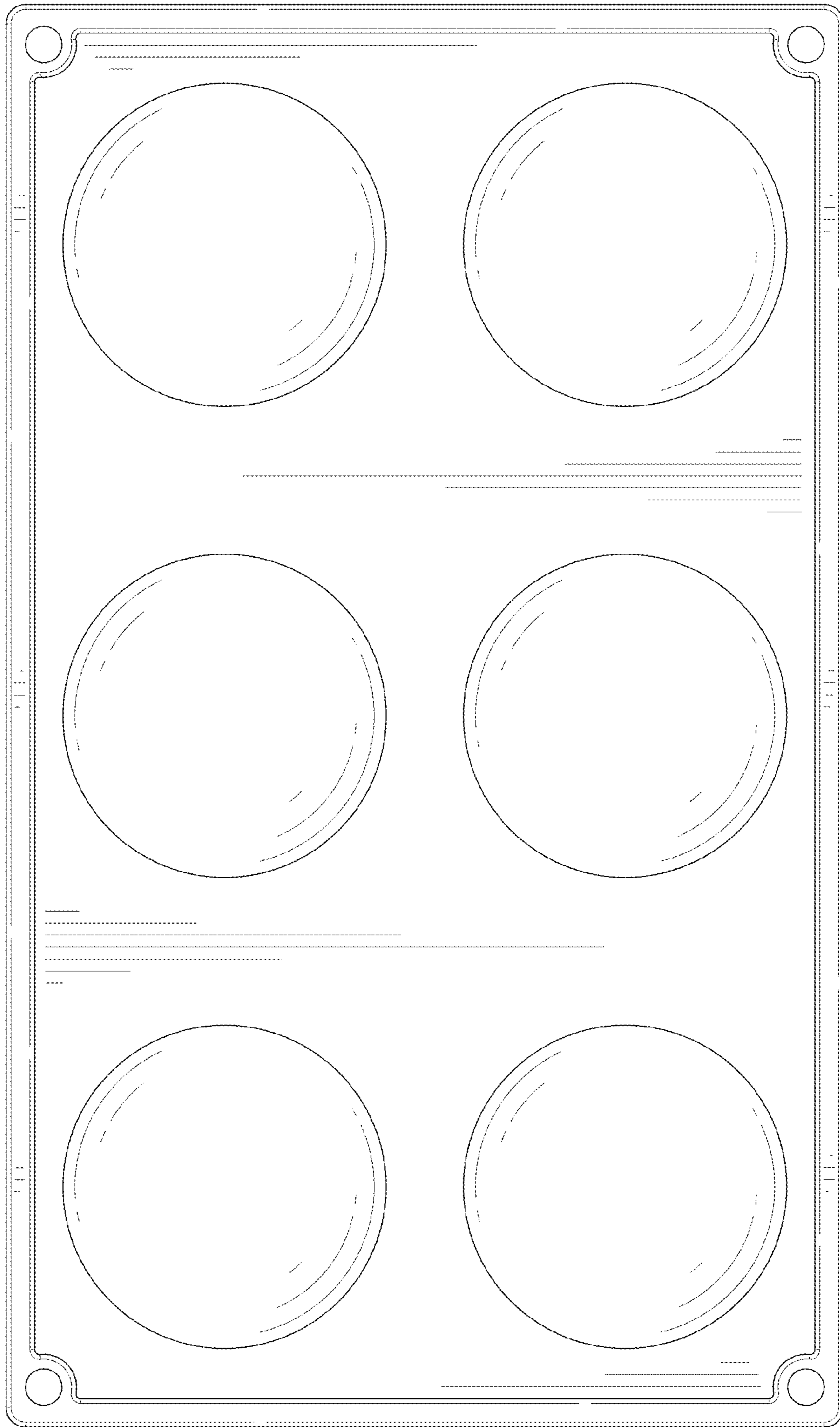


FIG. 4

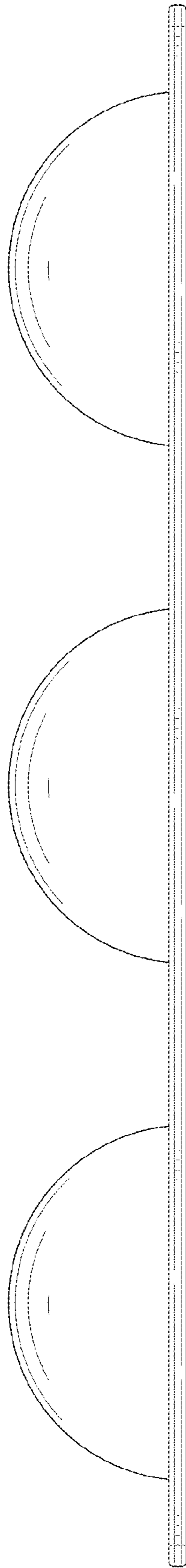


FIG. 5

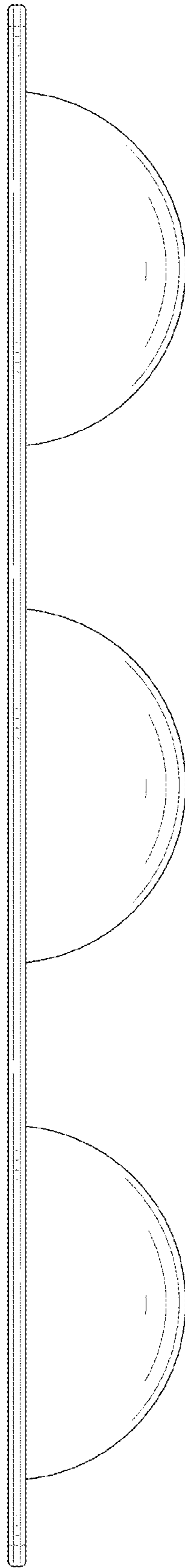


FIG. 6

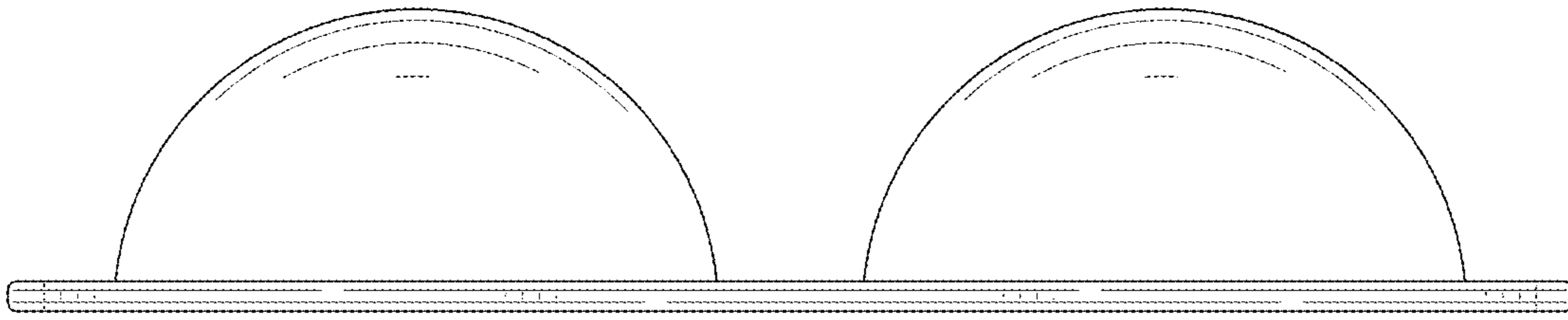


FIG. 7

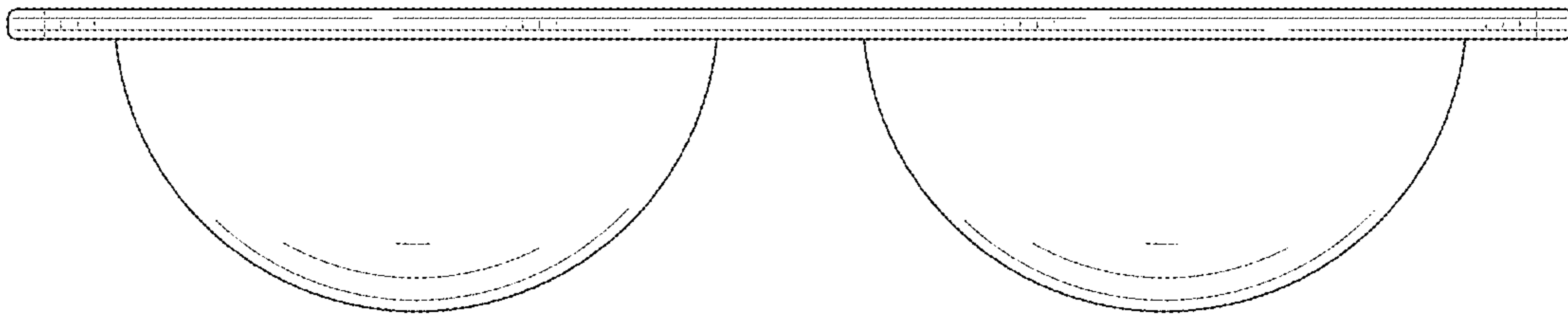


FIG. 8

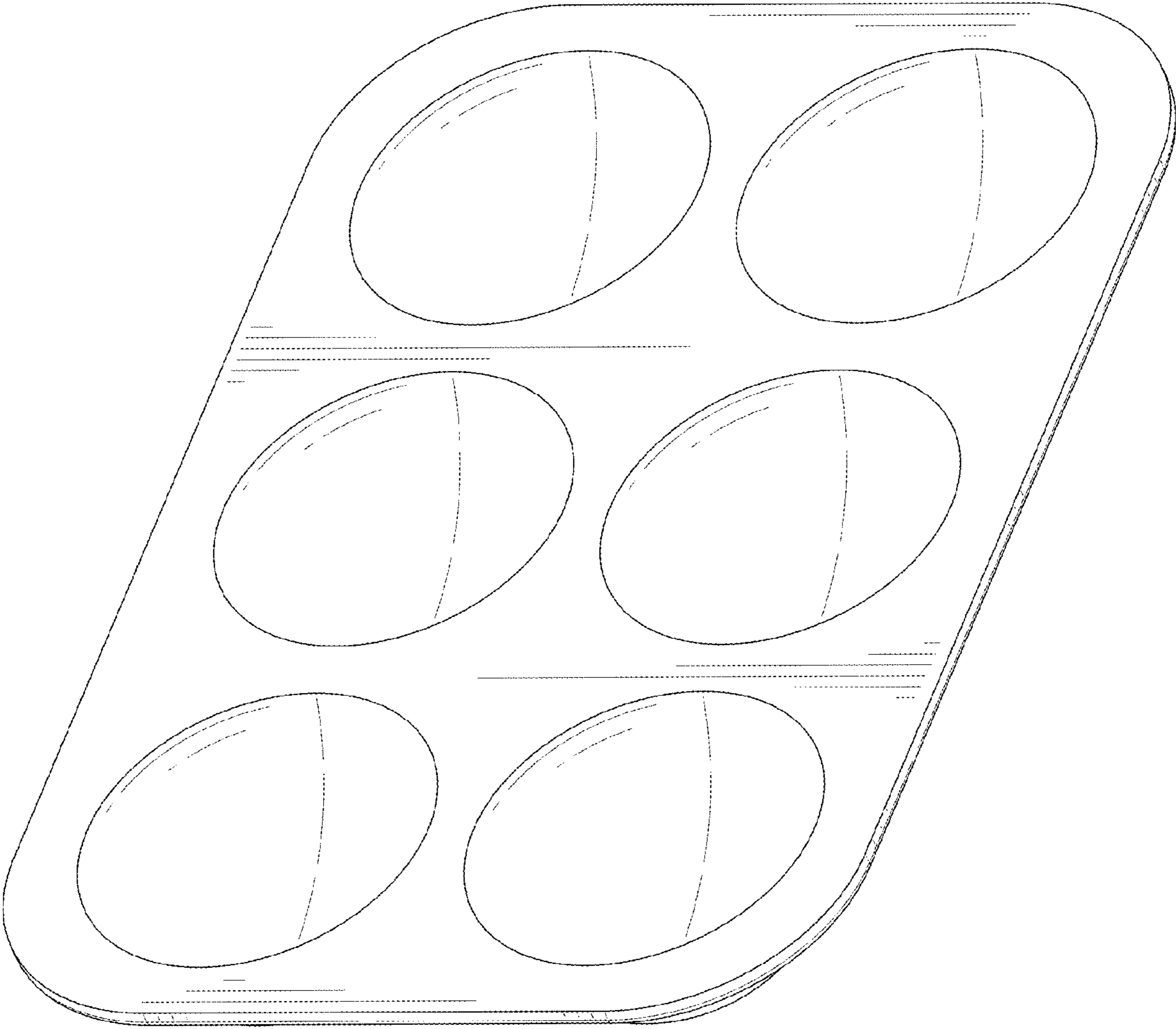


FIG. 9

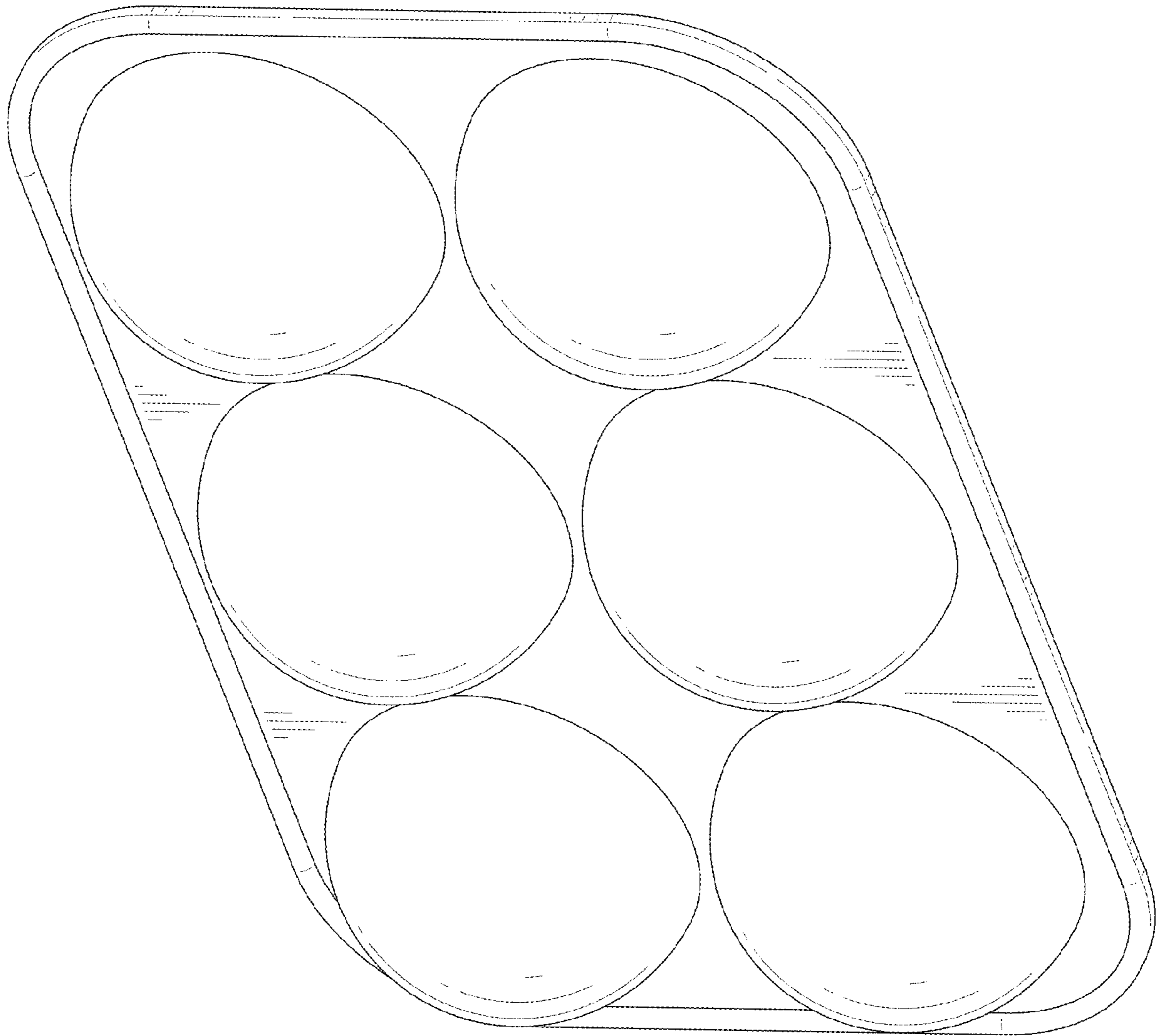


FIG. 10

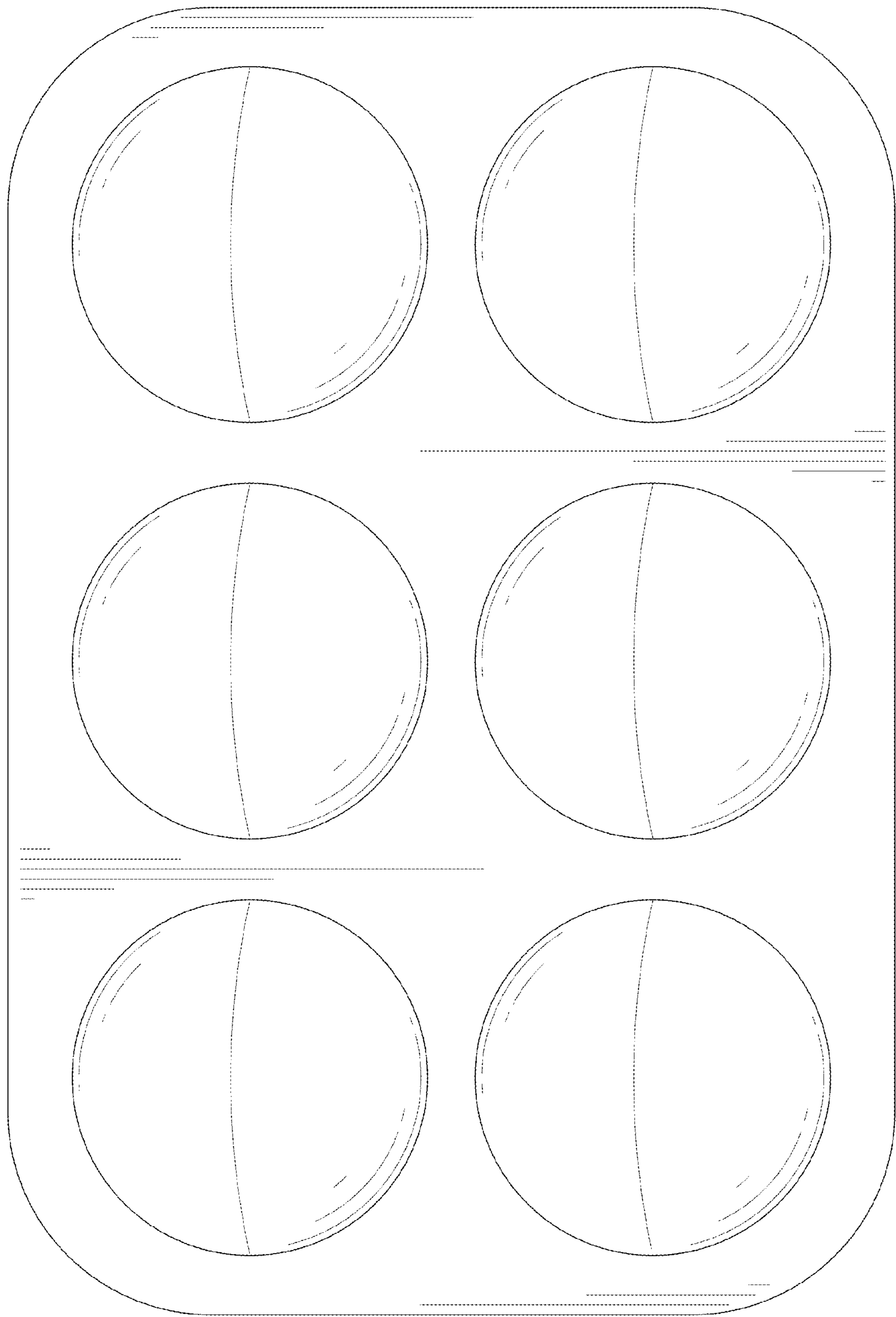


FIG. 11

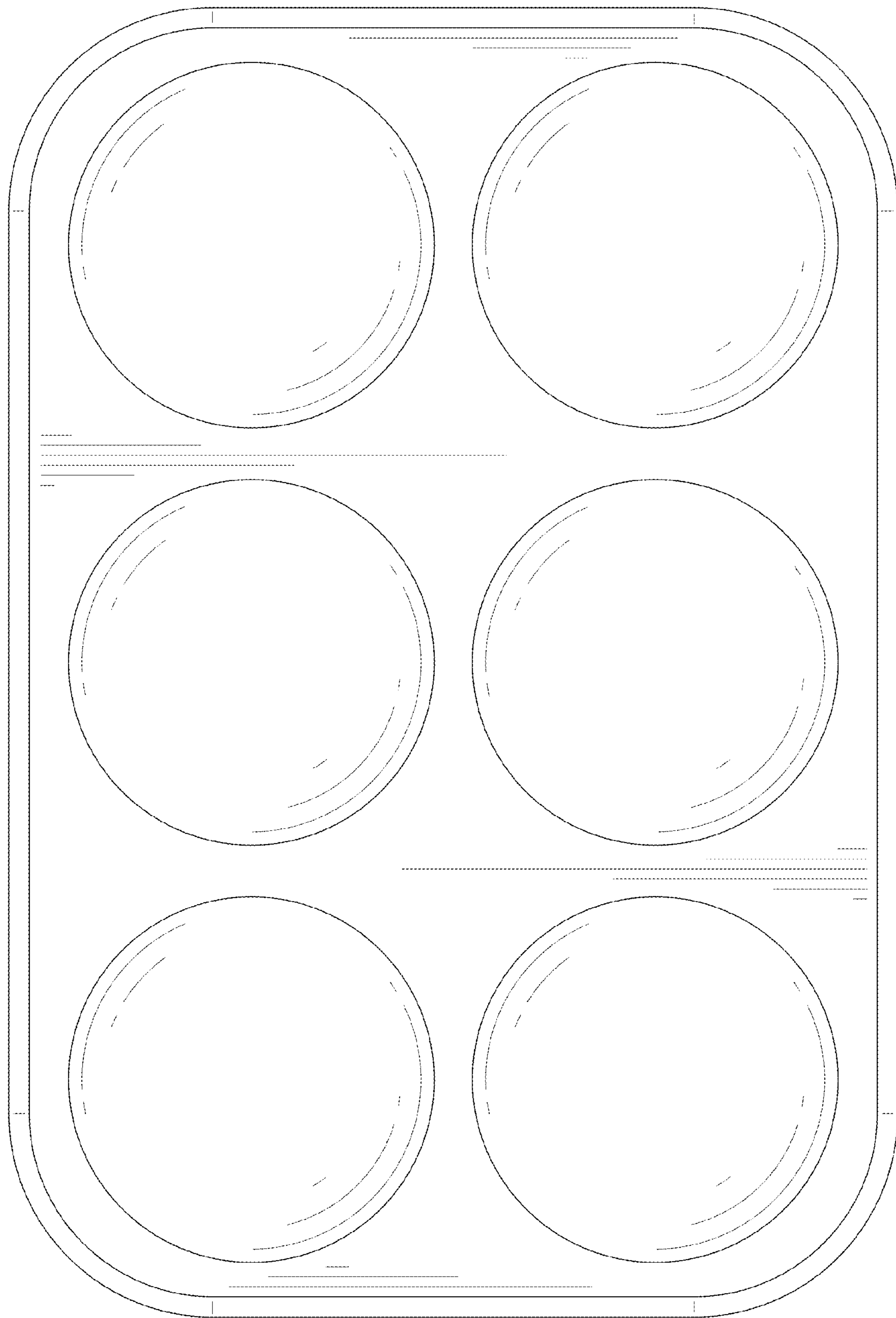


FIG. 12

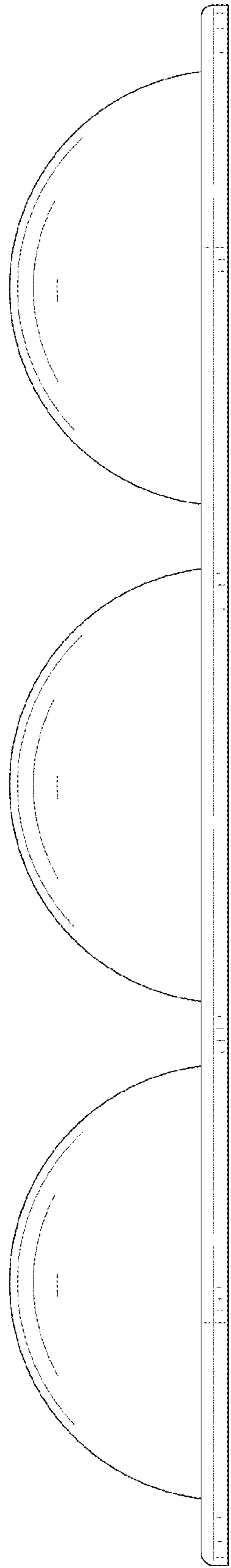


FIG. 13

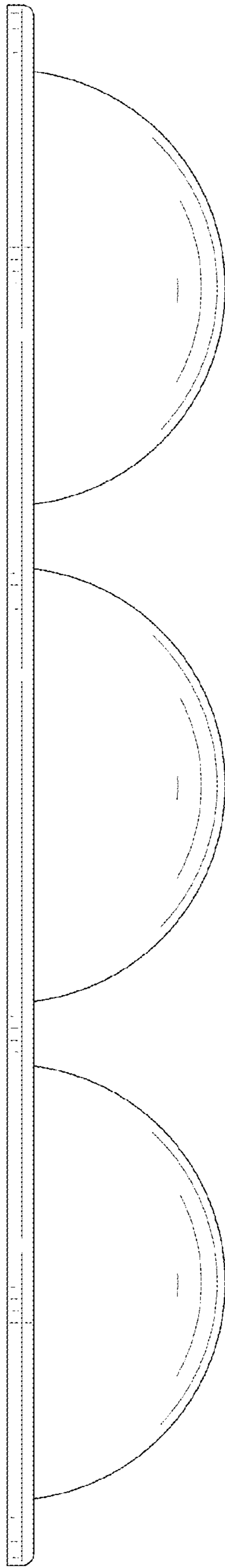


FIG. 14

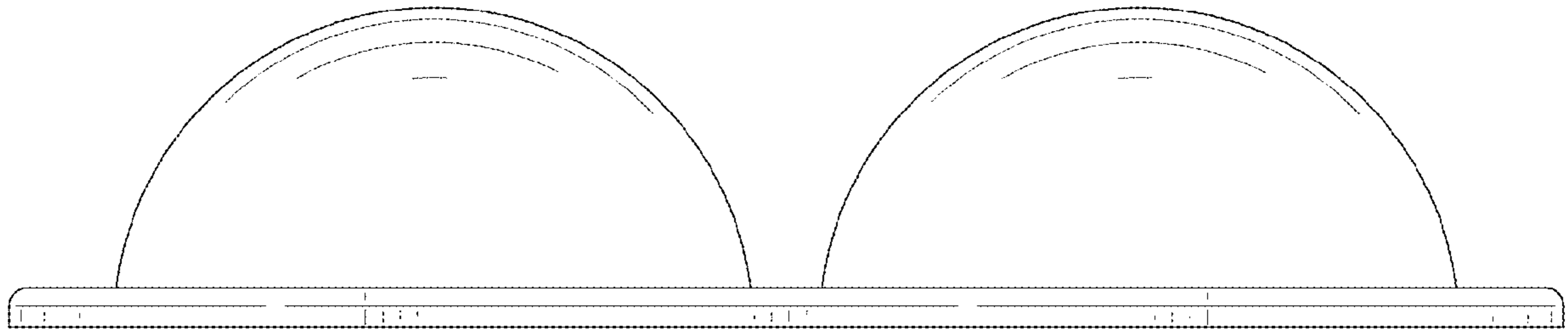


FIG. 15

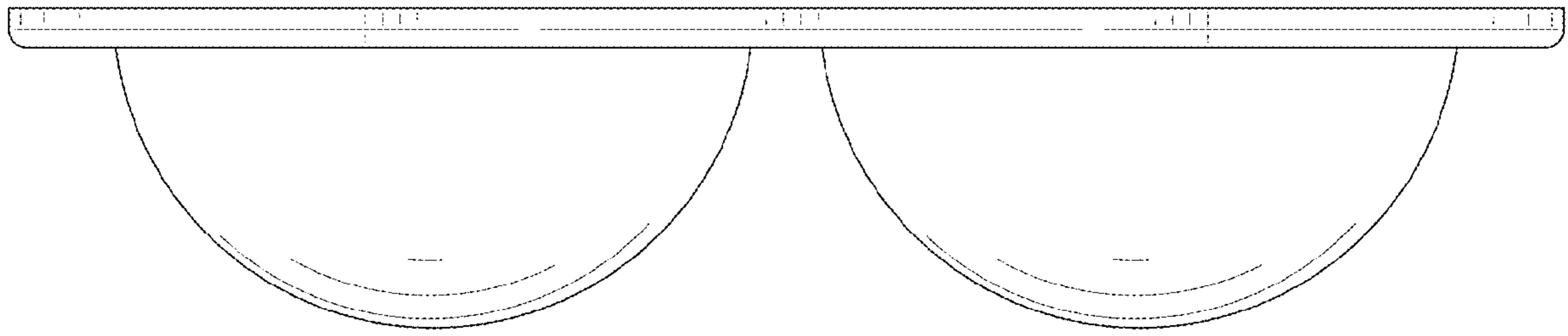


FIG. 16