



US00D924279S

(12) **United States Design Patent**
Kim et al.

(10) **Patent No.:** **US D924,279 S**
(45) **Date of Patent:** **** Jul. 6, 2021**

(54) **SHELF FOR REFRIGERATOR**

(71) Applicant: **SAMSUNG ELECTRONICS CO., LTD.**, Suwon-si (KR)

(72) Inventors: **Hyunsoo Kim**, Seongnam-si (KR);
Youngmin Park, Seoul (KR)

(73) Assignee: **SAMSUNG ELECTRONICS CO., LTD.**, Gyeonggi-Do (KR)

(**) Term: **15 Years**

(21) Appl. No.: **29/683,231**

(22) Filed: **Mar. 12, 2019**

(30) **Foreign Application Priority Data**

Sep. 14, 2018 (KR) 30-2018-0043263

(51) **LOC (13) Cl.** **15-07**

(52) **U.S. Cl.**
USPC **D15/89**

(58) **Field of Classification Search**

USPC D15/79-91

CPC F25D 25/025; F25D 23/028; F25D 2323/024; F25D 23/00; F25D 23/02; F25D 2323/021; F25D 23/065; F25D 11/00; F25D 2201/14; F25D 23/021; F25D 23/025; F25D 23/04; F25D 27/00; F25D 23/062; F25D 23/067; F25D 2400/18; F25D 2317/04131; F25D 2317/043; F25D 2317/0651; F25D 2317/0664; F25D 2317/0681; F25D 2317/0683; F25D 2323/00264; F25D 2323/121; F25D 2323/122; F25D 2325/022; F25D 23/064

See application file for complete search history.

(56) **References Cited**

U.S. PATENT DOCUMENTS

D107,970 S * 1/1938 Pfauter D34/20
D240,629 S * 7/1976 Cope D24/177
D327,966 S * 7/1992 Hikawa D34/19

(Continued)

FOREIGN PATENT DOCUMENTS

EM 001685470-0002 3/2010
EM 001295968-0002 9/2011

(Continued)

OTHER PUBLICATIONS

Dental Mobile Cart Z With Tray. [online]. p. 1 [retrieved on Mar. 11, 2019]. Retrieved from the Internet: <URL: <https://www.ebay.com/itm/Dental-Mobile-Cart-Z-With-Tray-/171051860144>>

(Continued)

Primary Examiner — Khawaja Anwar

(74) *Attorney, Agent, or Firm* — Cantor Colburn LLP

(57) **CLAIM**

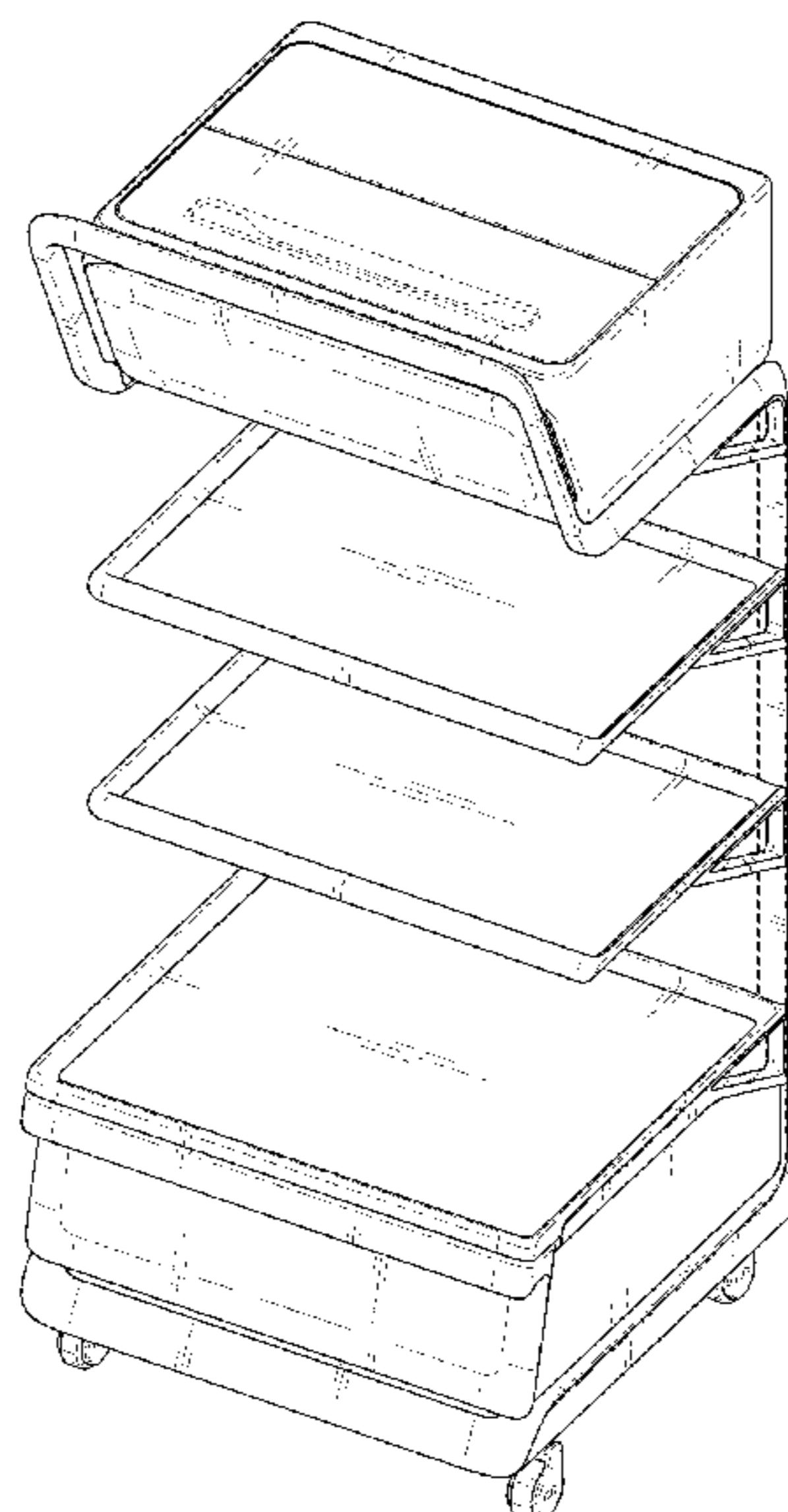
The ornamental design for a shelf for refrigerator, as shown and described.

DESCRIPTION

FIG. 1 is a front perspective view of a shelf for refrigerator, showing our new design;
FIG. 2 is a front view thereof;
FIG. 3 is a rear view thereof;
FIG. 4 is a left-side view thereof;
FIG. 5 is a right-side view thereof;
FIG. 6 is a top view thereof;
FIG. 7 is a bottom view thereof;
FIG. 8 is a rear perspective view thereof; and,
FIG. 9 is a front perspective view thereof in a refrigerator environment.

The broken lines illustrating portions of the shelf for refrigerator form no part of the claimed design. The broken lines illustrating the refrigerator in FIG. 9 are environmental purposes only and form no part of the claimed design.

1 Claim, 8 Drawing Sheets



(56)

References Cited

U.S. PATENT DOCUMENTS

D366,578 S * 1/1996 Cormican D6/661
D527,749 S * 9/2006 Eveland F25D 23/04
D15/89
D572,732 S * 7/2008 Baacke D15/91
D649,985 S * 12/2011 Jeon D15/89
D676,468 S * 2/2013 Lee D15/89
D893,557 S * 8/2020 Lizier D15/79
D904,471 S * 12/2020 Jakubowicz D15/79

FOREIGN PATENT DOCUMENTS

JP D1250272 S 9/2005
JP D1549951 S 5/2016
KR 300419662 S 7/2006

OTHER PUBLICATIONS

Medical Steel Cart Trolley . . . p. 1-2 [retrieved on Mar. 11, 2019].
Retrieved from Internet: <URL: <https://www.ebay.com/itm/Medical-Steel-Cart-Trolley-Doctor-Dentist-Trolley-Spa-Salon-Equipment-Clinic-Use/173045853117?hash=item284a562bbd:g:h2sAAOSwySVaPMRD>>.
Medstar Visual system. Cart Design [online]. Naver. p. 1 [retrieved on Mar. 11, 2019]. Retrieved from the Internet: <URL: <https://blog.navercom/marskd/50084010276>>.

* cited by examiner

FIG. 1

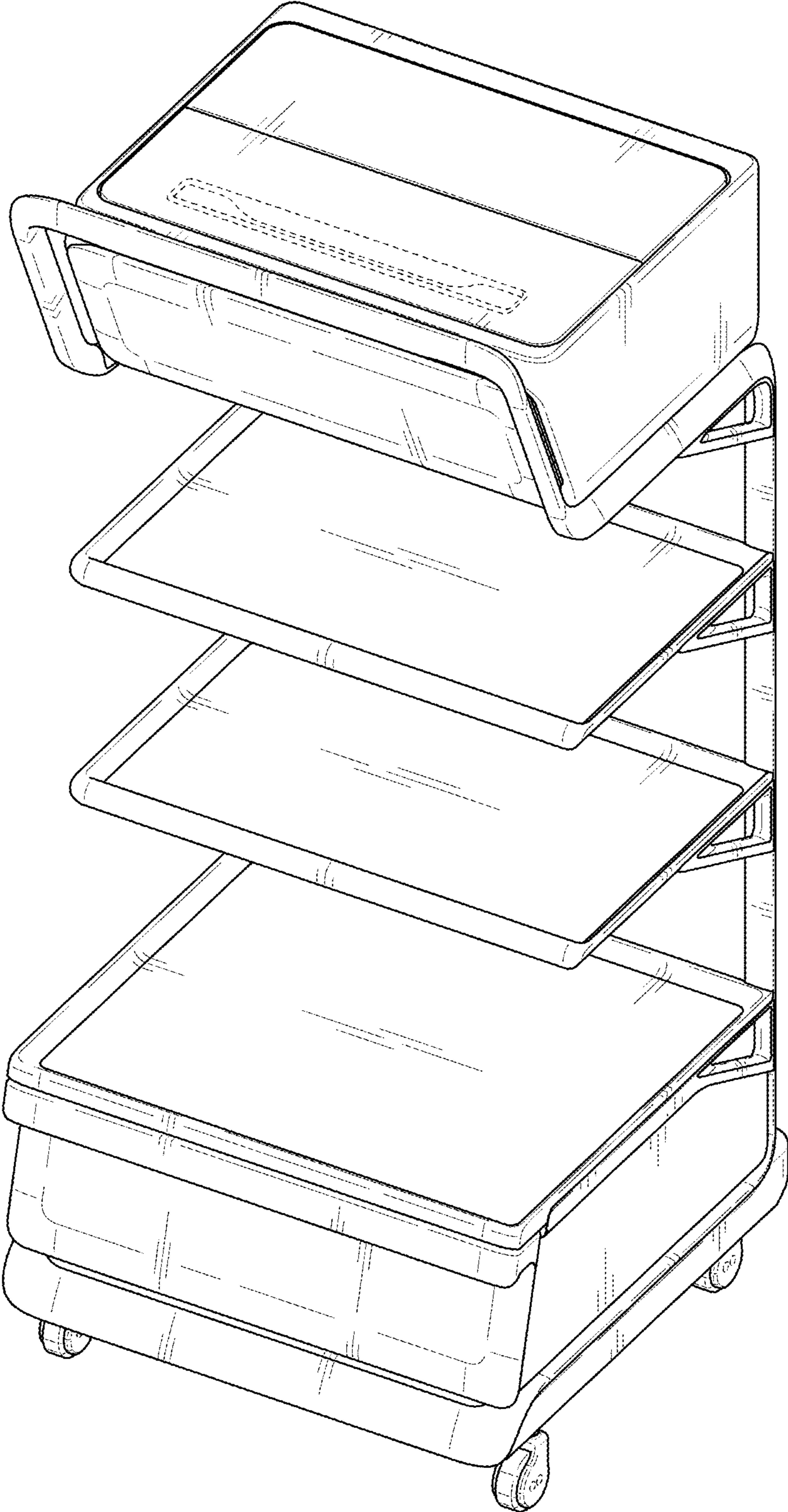


FIG. 2

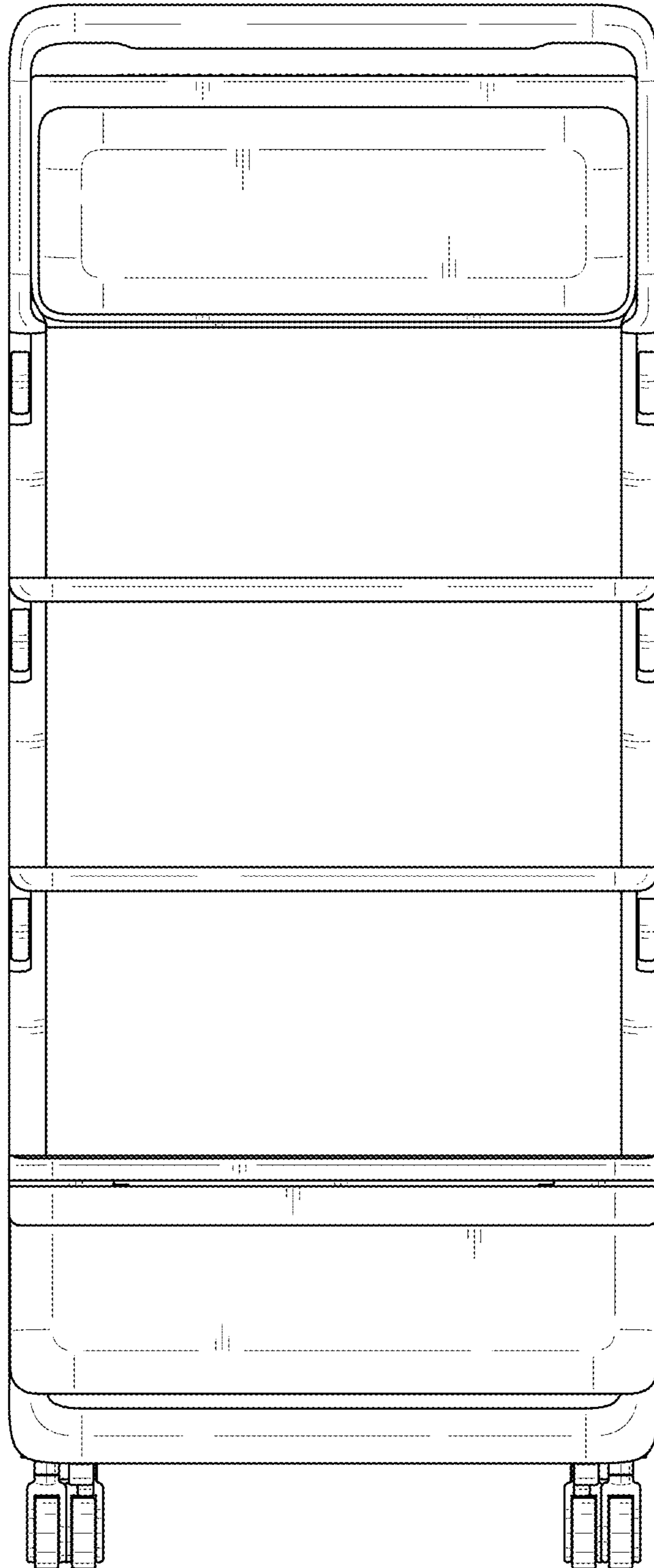


FIG. 3

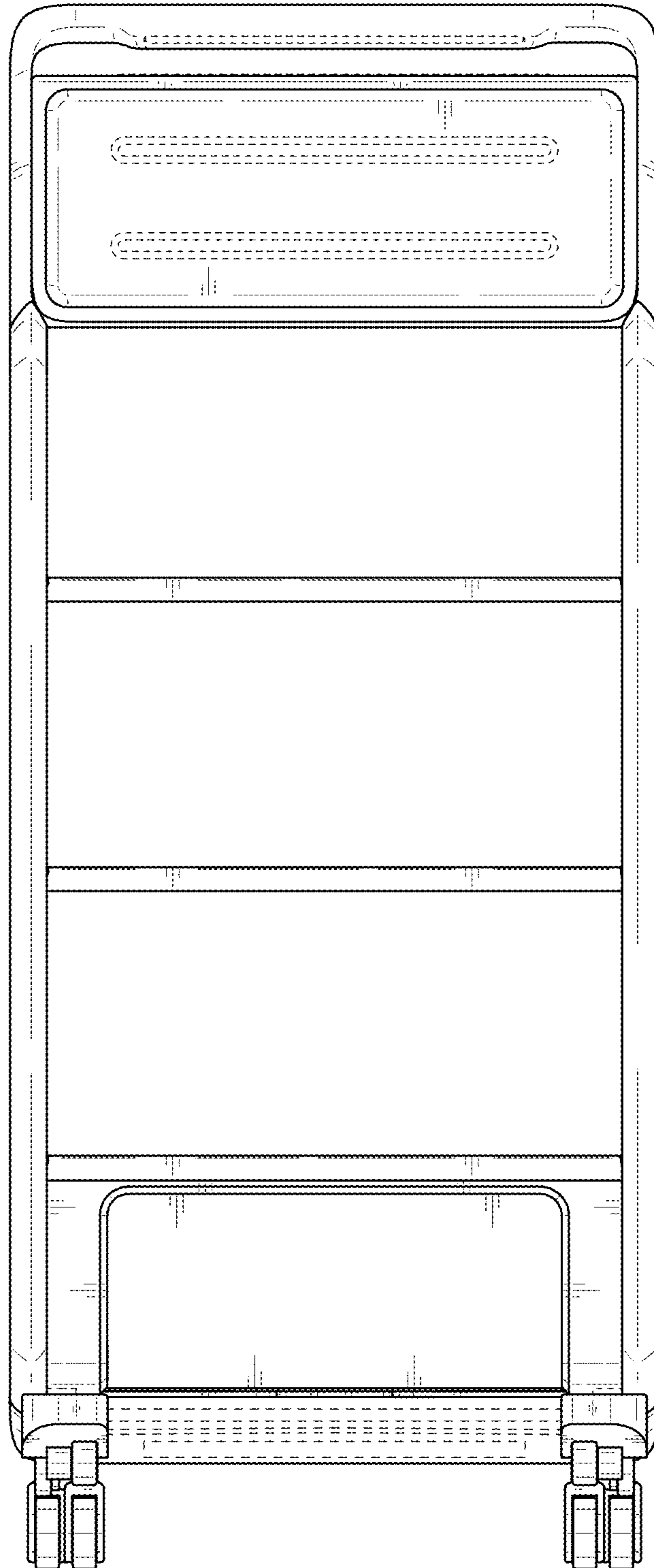


FIG. 4

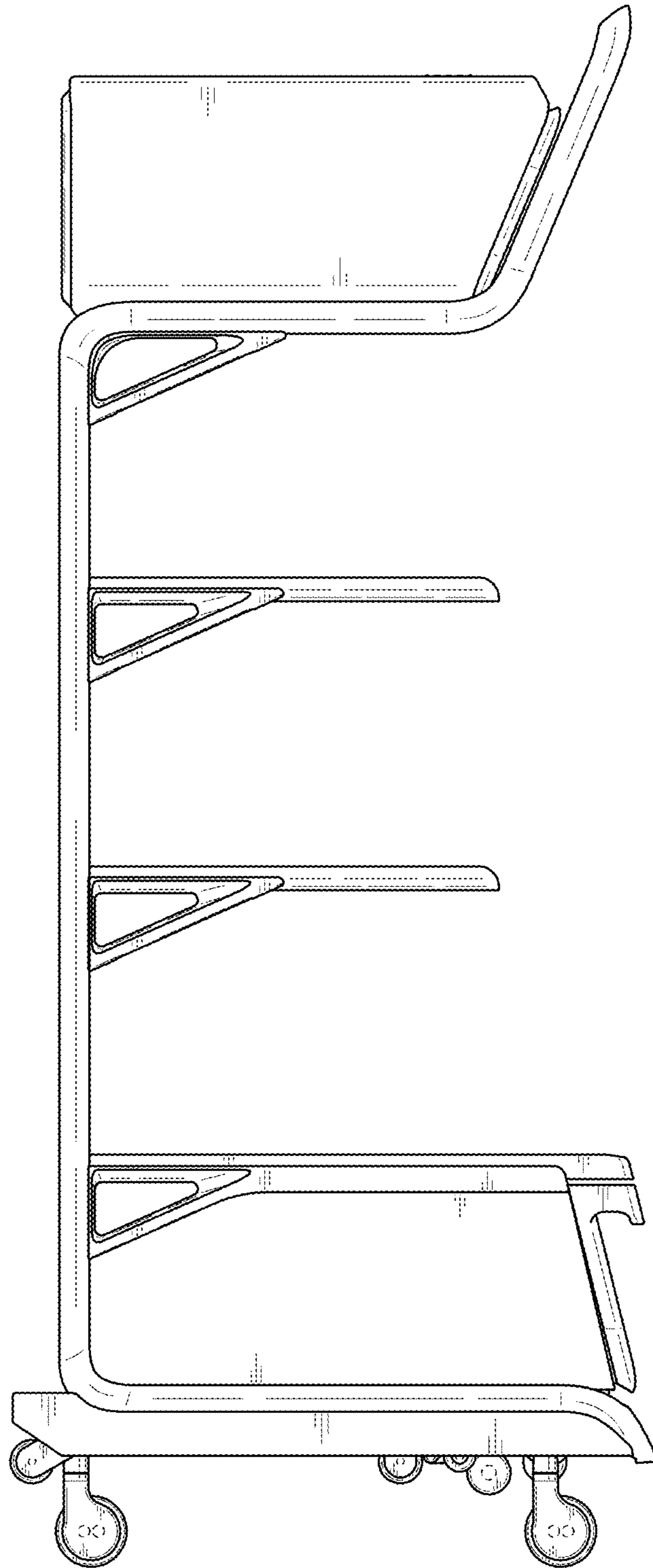


FIG. 5

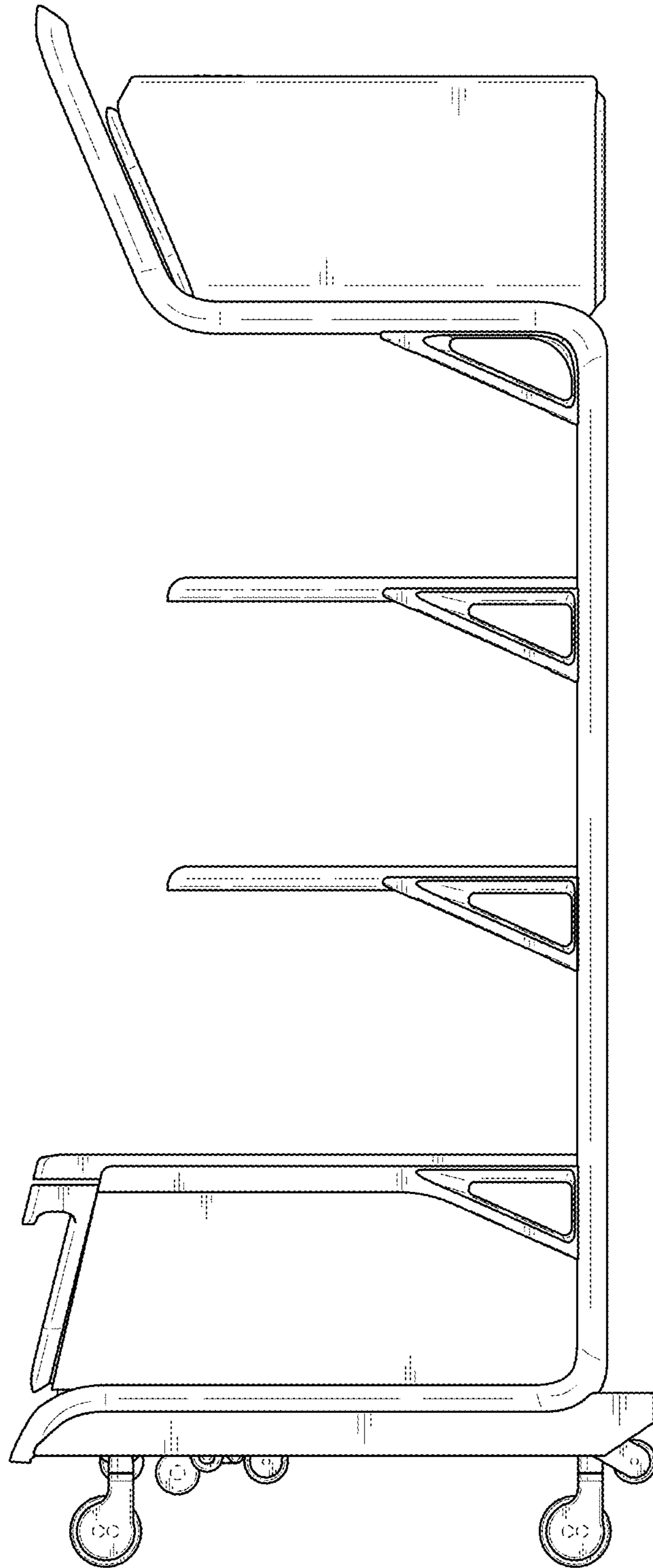


FIG. 6

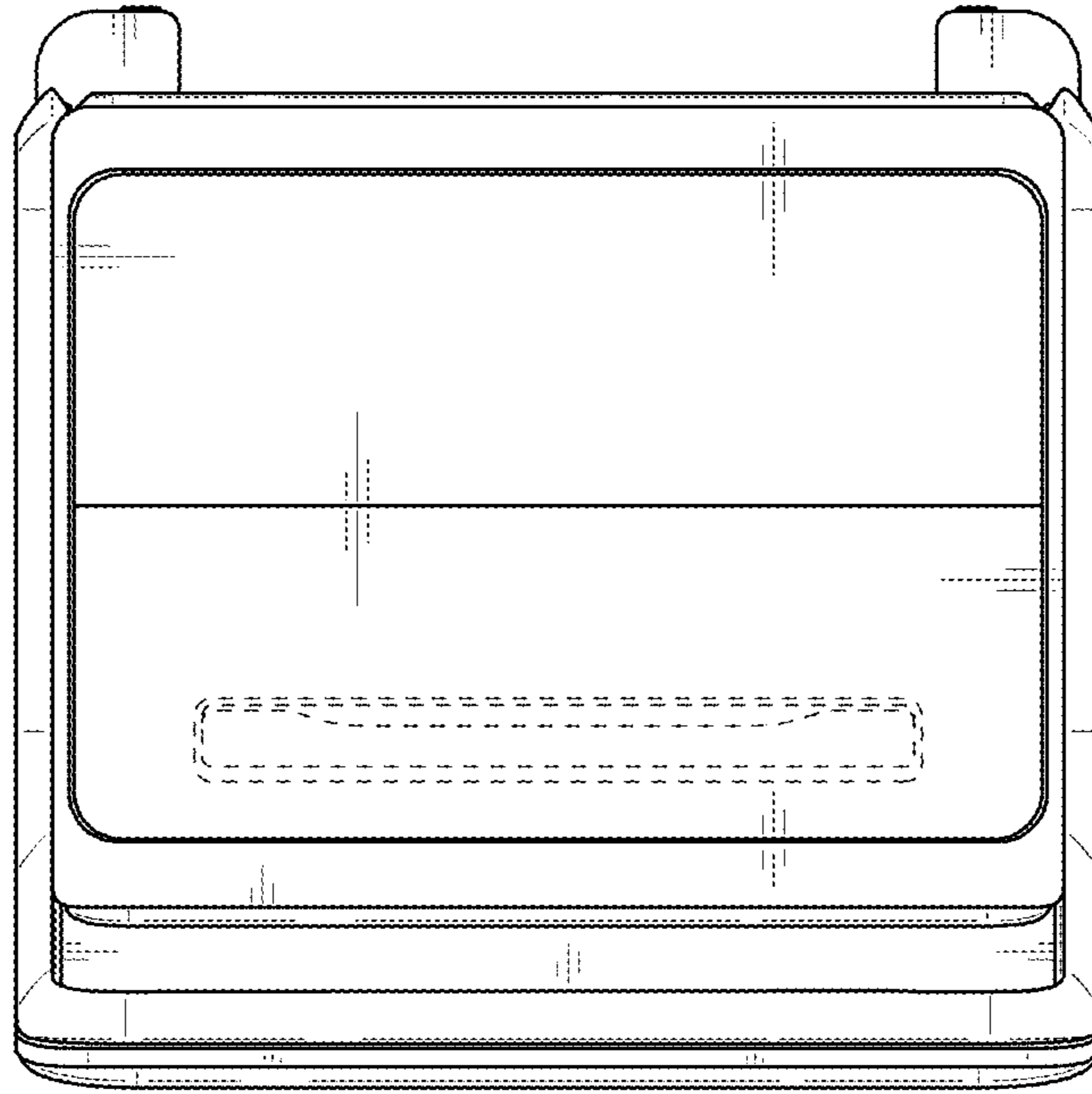


FIG. 7

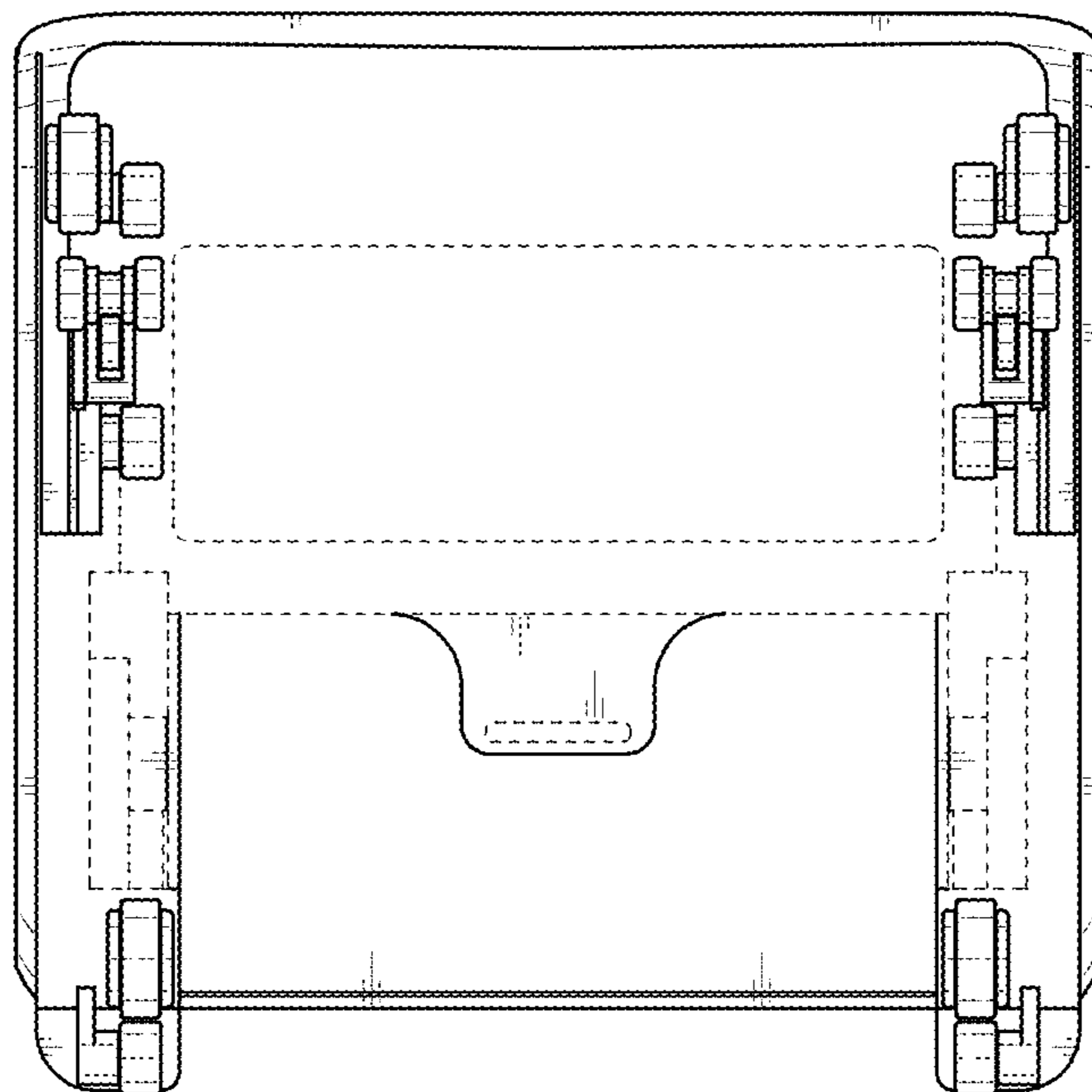


FIG. 8

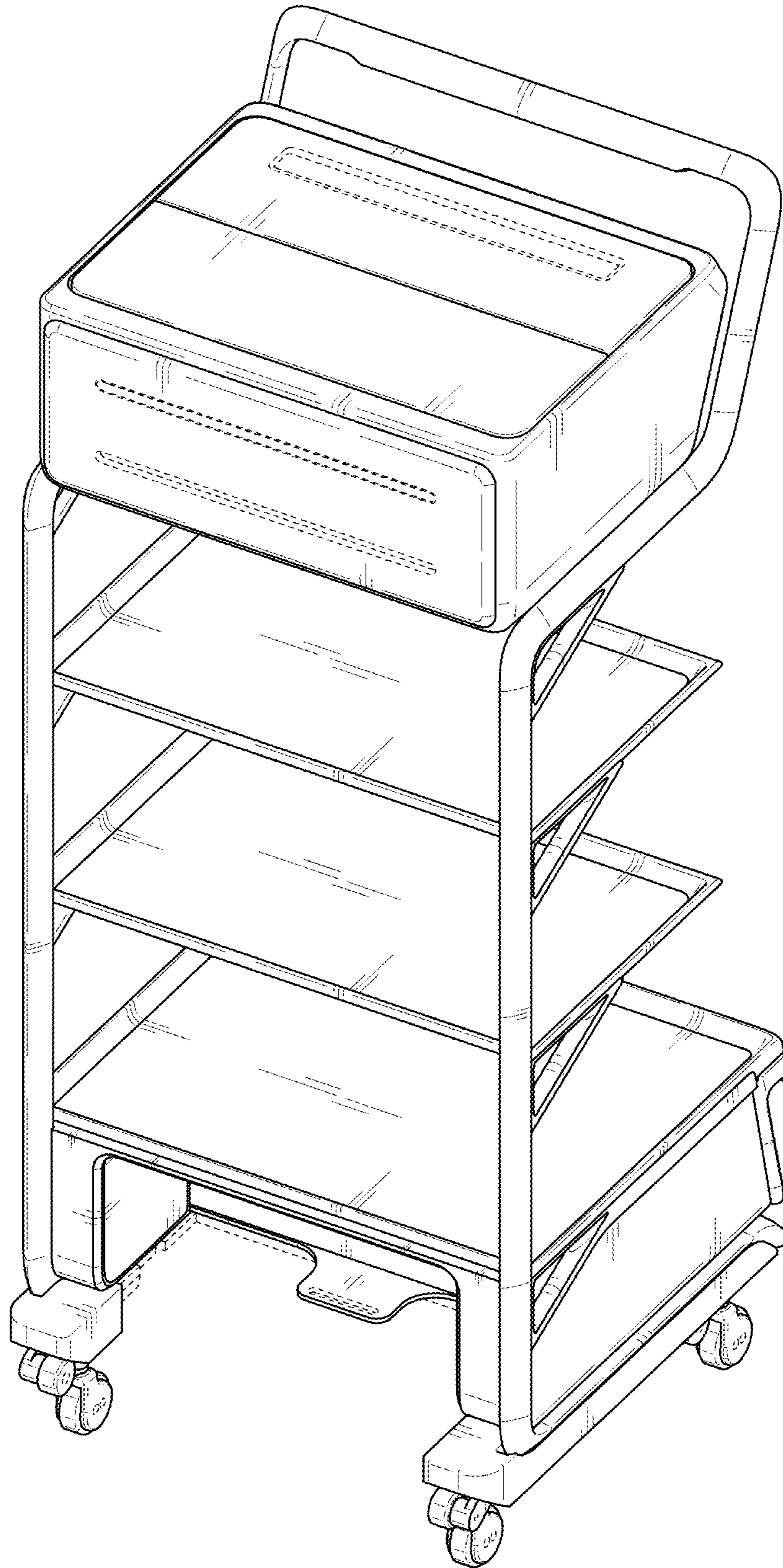


FIG. 9

