



US00D924278S

(12) **United States Design Patent** (10) **Patent No.:** **US D924,278 S**  
**Choi et al.** (45) **Date of Patent:** **\*\* Jul. 6, 2021**

(54) **REFRIGERATOR**

(71) Applicant: **LG ELECTRONICS INC.**, Seoul (KR)

(72) Inventors: **Kyukwan Choi**, Seoul (KR); **Insun Yeo**, Seoul (KR)

(73) Assignee: **LG Electronics Inc.**, Seoul (KR)

(\*\*) Term: **15 Years**

(21) Appl. No.: **35/509,352**

(22) Filed: **Sep. 4, 2019**

(80) **Hague Agreement Data**

Int. Filing Date: **Sep. 4, 2019**

Int. Reg. No.: **DM/207826**

Int. Reg. Date: **Sep. 4, 2019**

Int. Reg. Pub. Date: **May 15, 2020**

(30) **Foreign Application Priority Data**

Mar. 14, 2019 (KR) ..... 30-2019-0011634

(51) **LOC (13) Cl.** ..... **15-07**

(52) **U.S. Cl.**  
USPC ..... **D15/79**

(58) **Field of Classification Search**

USPC ..... D15/79-91; 312/112-119, 236, 352, 312/400-408; 62/3.1, 3.6, 3.63, 3.64, 62/293, 31, 371, 400, 467, 529, 531

CPC ..... F25D 25/025; F25D 23/028; F25D 2323/024; F25D 23/00; F25D 23/02; F25D 2323/021; F25D 23/065; F25D 11/00; F25D 2201/14; F25D 23/021; F25D 23/025; F25D 23/04; F25D 27/00; F25D 23/062; F25D

(Continued)

(56) **References Cited**

U.S. PATENT DOCUMENTS

5,474,213 A \* 12/1995 Unger ..... F25C 5/22 222/108  
2003/0005716 A1\* 1/2003 Doran ..... F25D 23/10 62/263

(Continued)

*Primary Examiner* — Richard E Chilcot

(74) *Attorney, Agent, or Firm* — Birch, Stewart, Kolasch & Birch, LLP

(57) **CLAIM**

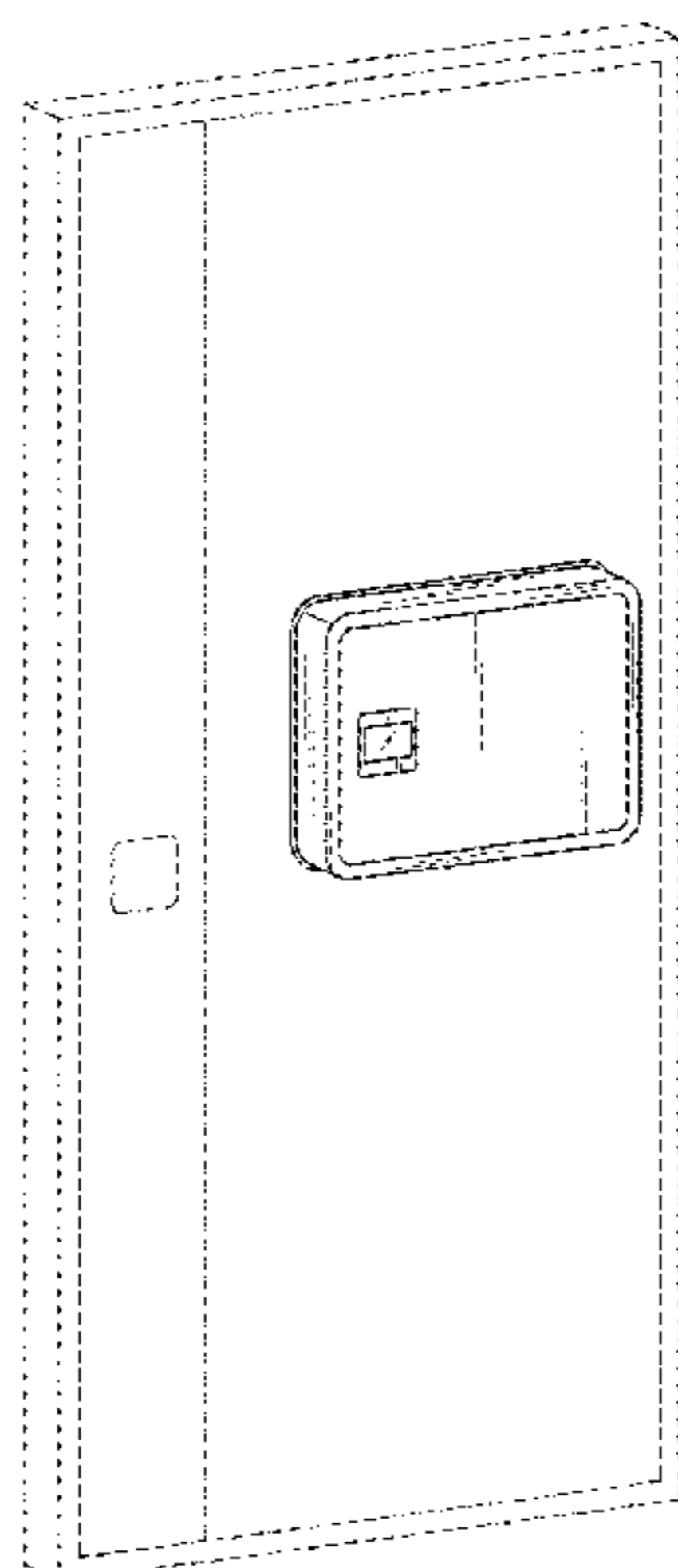
The ornamental design for a refrigerator, as shown and described.

**DESCRIPTION**

- 1. Refrigerator
- 1.1 : Perspective
- 1.2 : Front
- 1.3 : Back
- 1.4 : Left
- 1.5 : Right
- 1.6 : Top
- 1.7 : Bottom
- 1.8 : Perspective
- 1.9 : Front
- 1.10 : Back
- 1.11 : Left
- 1.12 : Right
- 1.13 : Top
- 1.14 : Bottom
- 1.15 : Perspective
- 1.16 : Front
- 1.17 : Back
- 1.18 : Left
- 1.19 : Right
- 1.20 : Top
- 1.21 : Bottom

Reproductions 1.1 to 1.7 indicate a normal state of the claimed design; reproductions 1.8 to 1.14 indicate a state of its outer door opened; reproductions 1.15 to 1.21 indicate a state of its inner door opened; broken lines illustrate environmental condition only and form no part of the claimed design.

**1 Claim, 21 Drawing Sheets**



(52) **U.S. Cl.**  
CPC ..... *F25D 25/025* (2013.01)

(58) **Field of Classification Search**  
CPC .... 23/067; F25D 2400/18; F25D 23/08; F25D  
23/085; F25D 2500/02; F25D 25/00;  
F25D 25/005; F25D 25/022; F25D  
25/024; F25D 17/047; F25D 2317/041;  
F25D 2317/04131; F25D 2317/043; F25D  
2317/0664; F25D 2321/147; F25D  
2323/02; F25D 2323/023

See application file for complete search history.

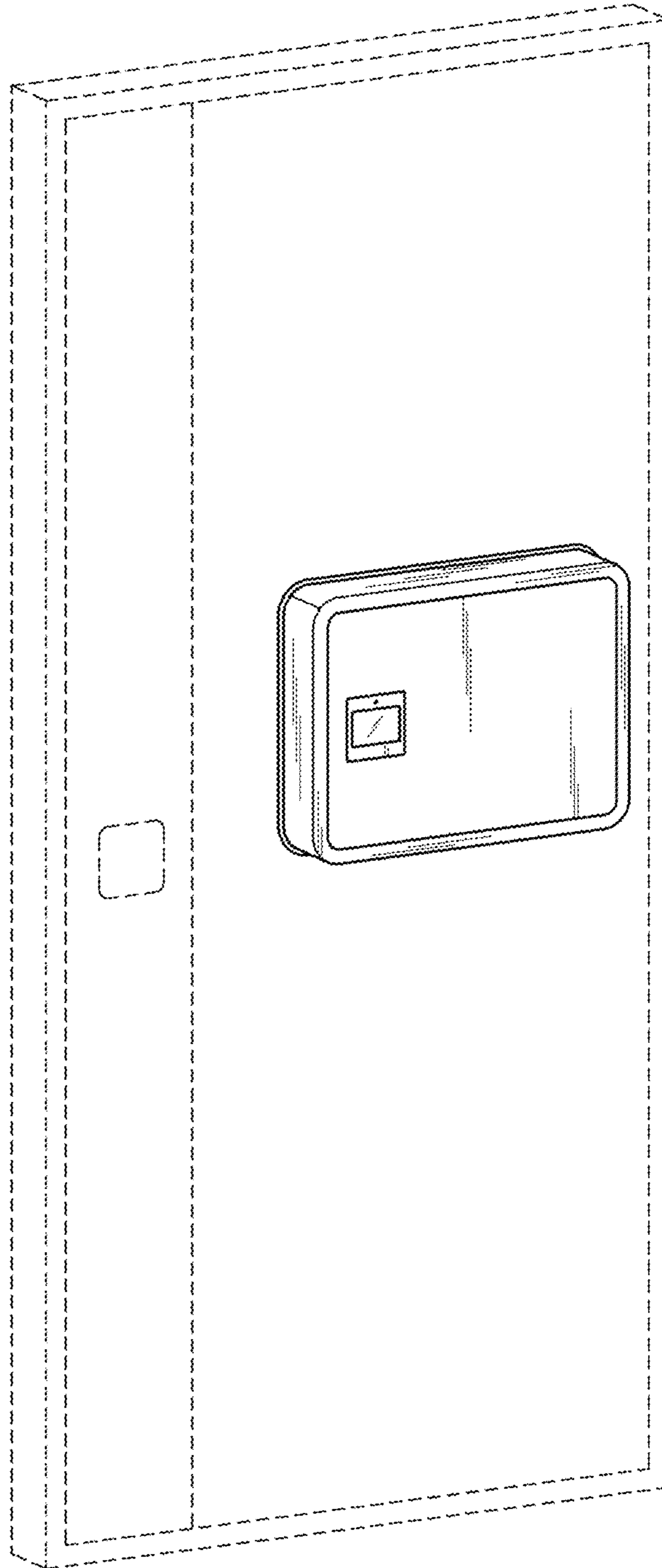
(56) **References Cited**

U.S. PATENT DOCUMENTS

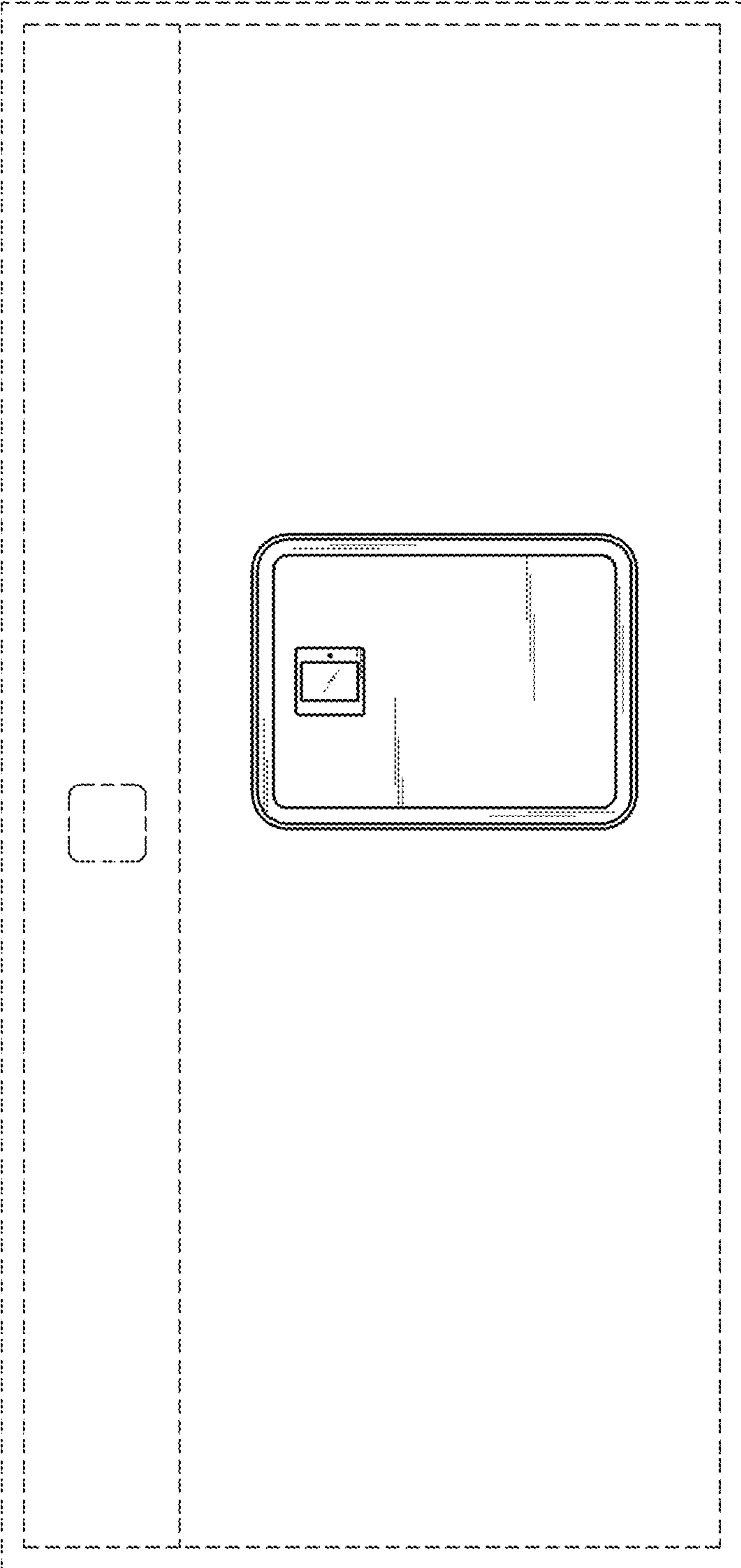
2008/0278335 A1\* 11/2008 Welte ..... G07C 9/28  
340/573.3  
2017/0188542 A1\* 7/2017 Dix ..... A01K 1/035  
2018/0172337 A1\* 6/2018 Choi ..... E06B 1/00  
2019/0257556 A1\* 8/2019 Pinet ..... A47F 3/0434  
2019/0271500 A1\* 9/2019 Lee ..... G02B 6/0088

\* cited by examiner

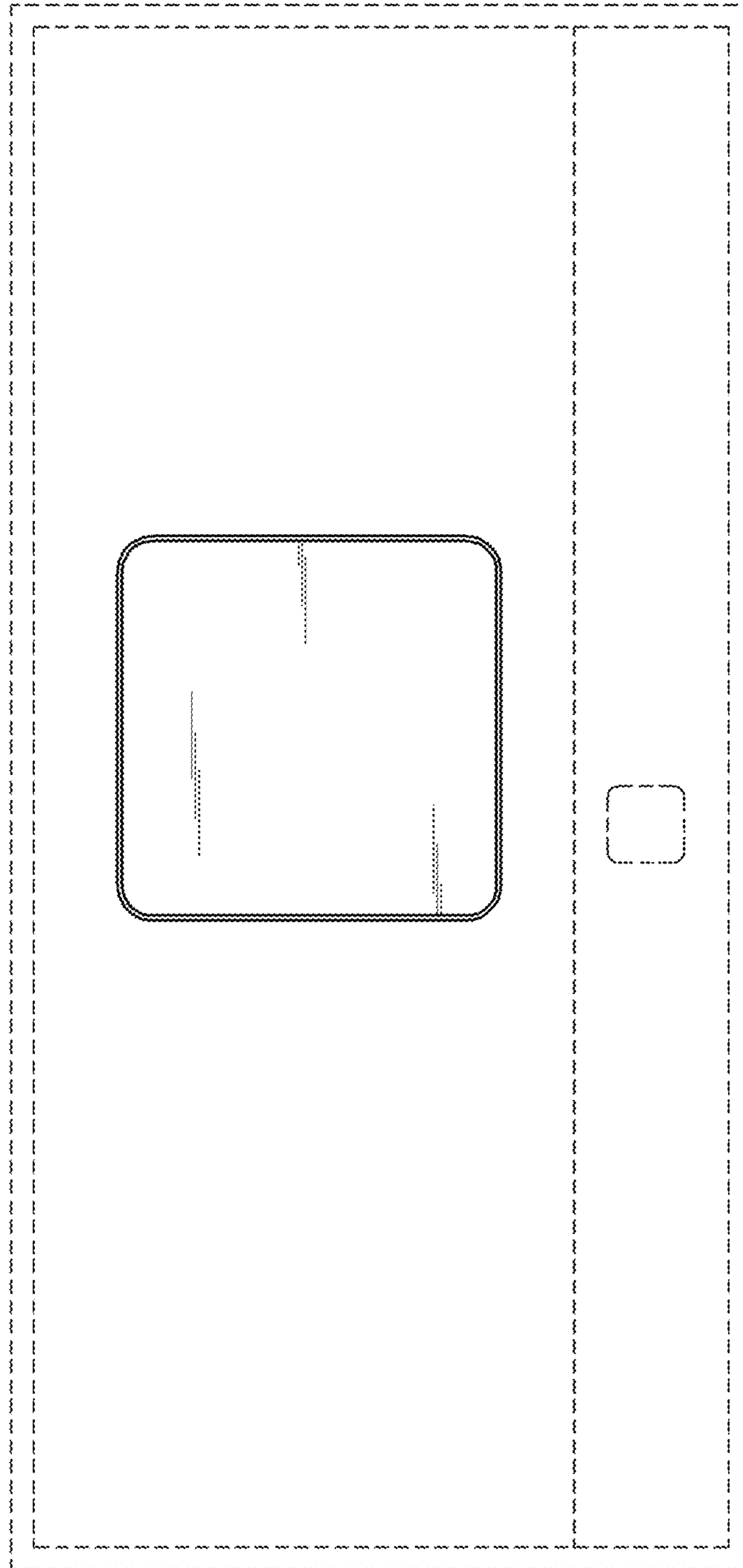
1.1



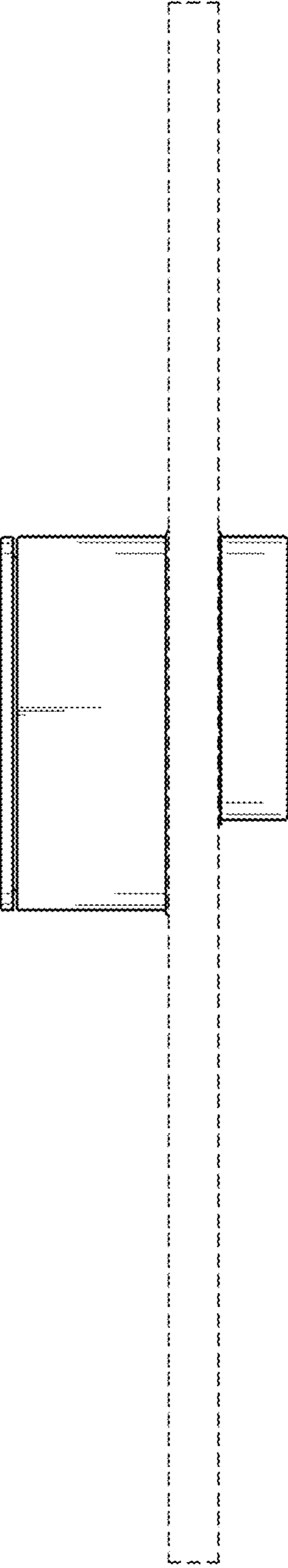
1.2



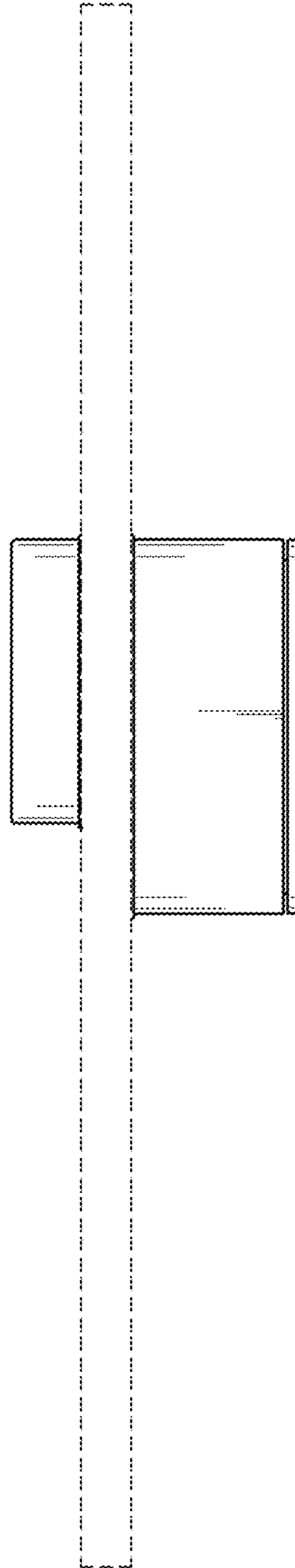
1.3



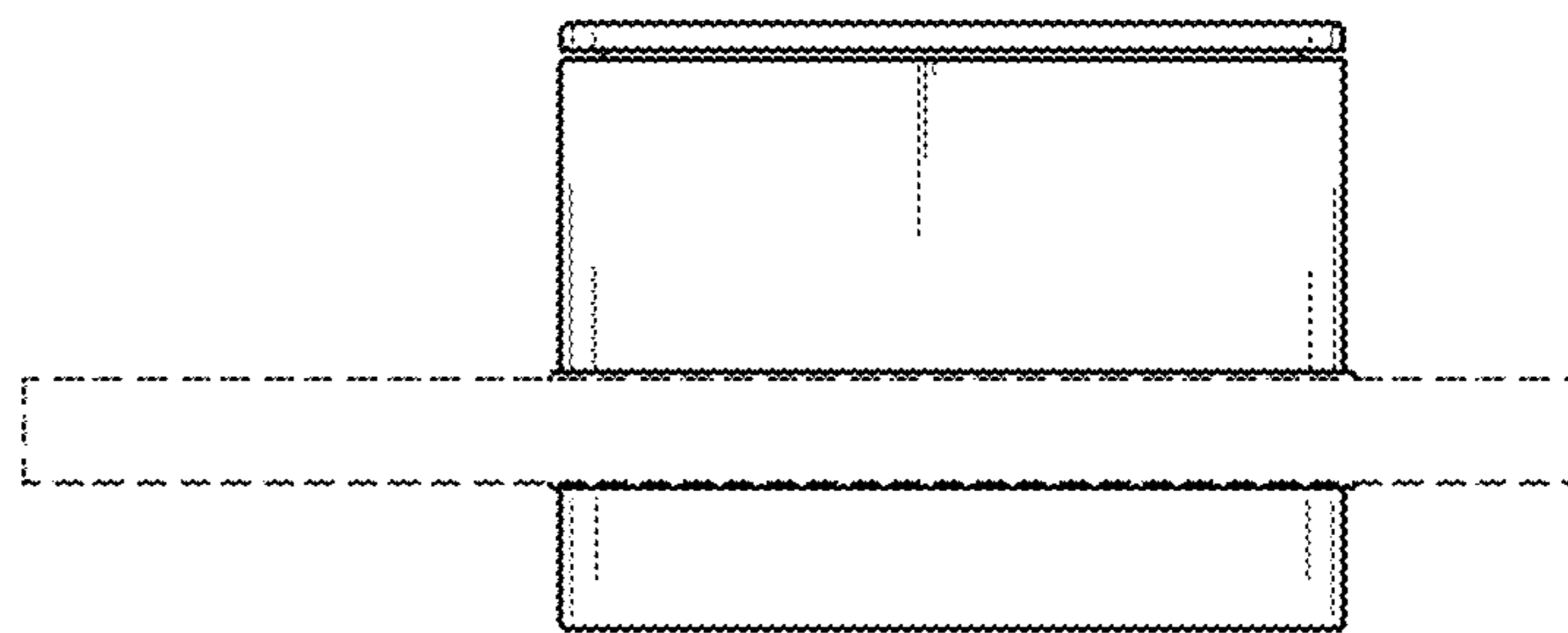
1.4



1.5

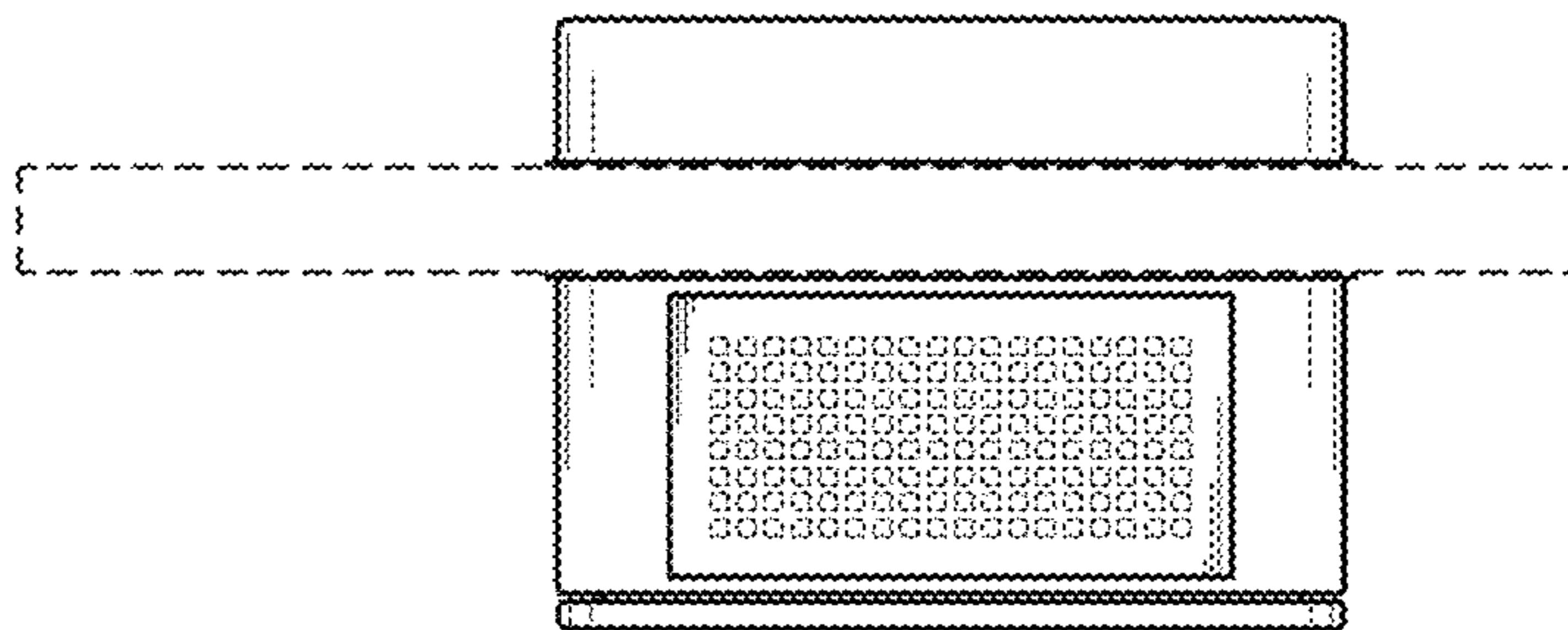


1.6

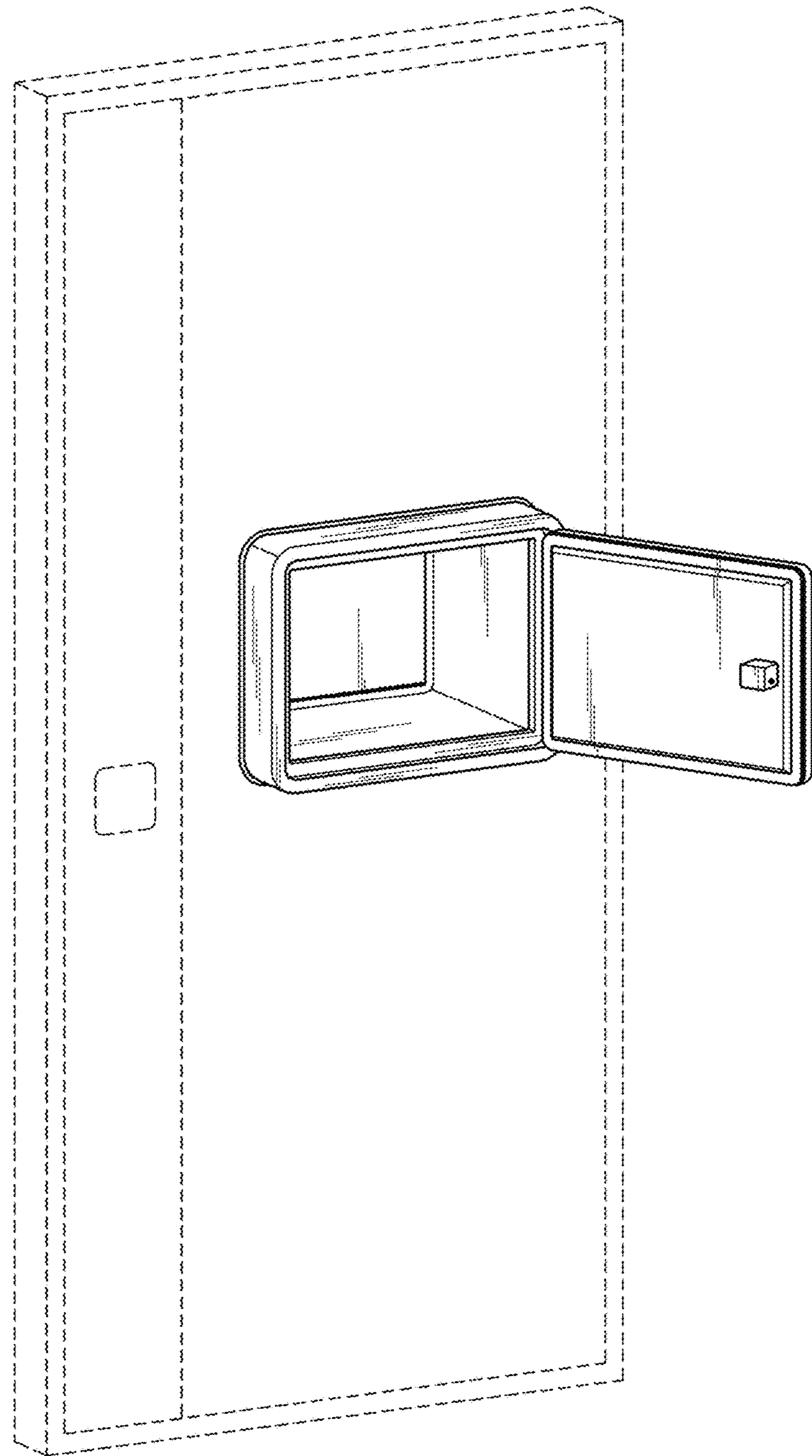




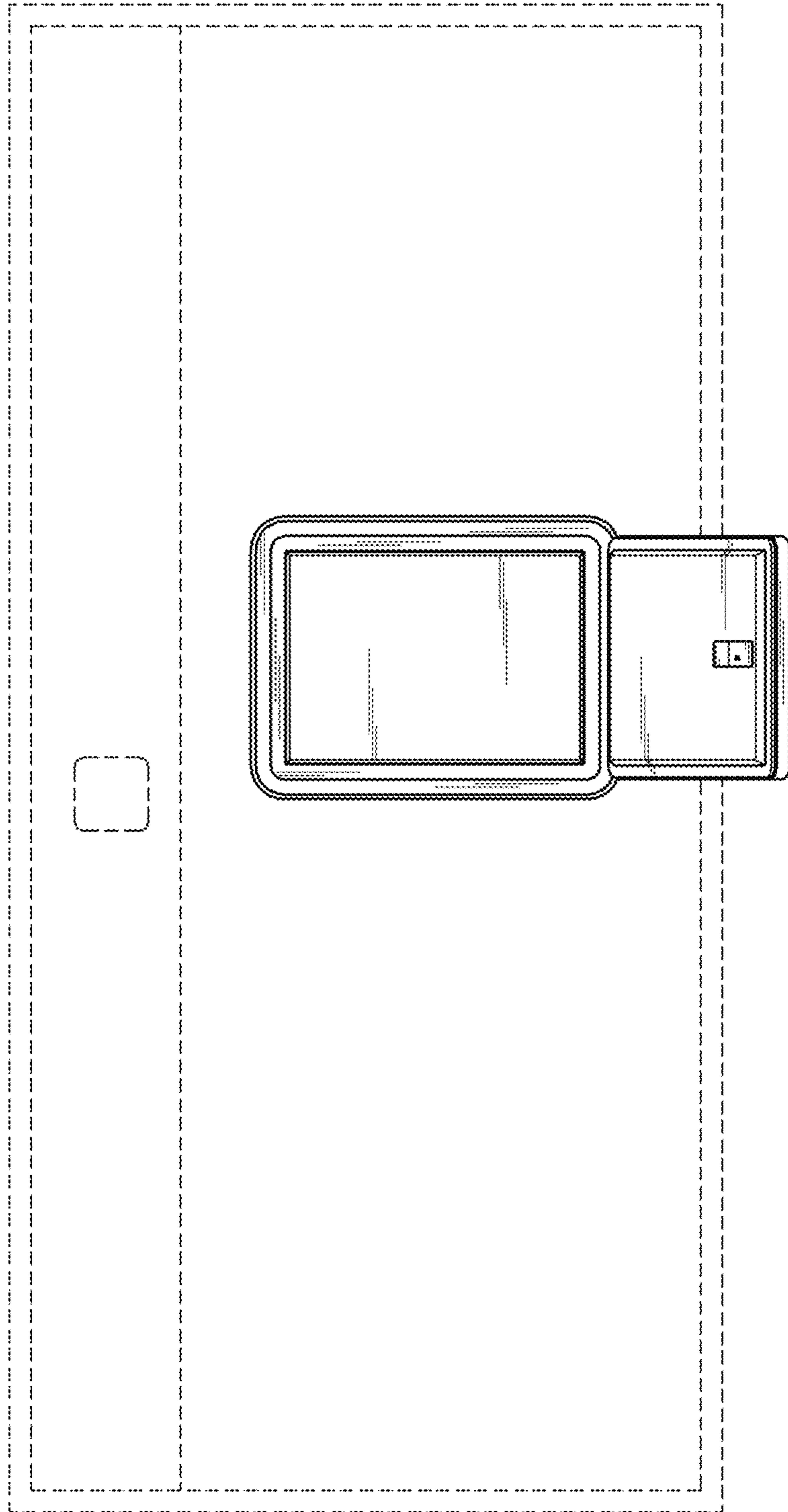
1.7



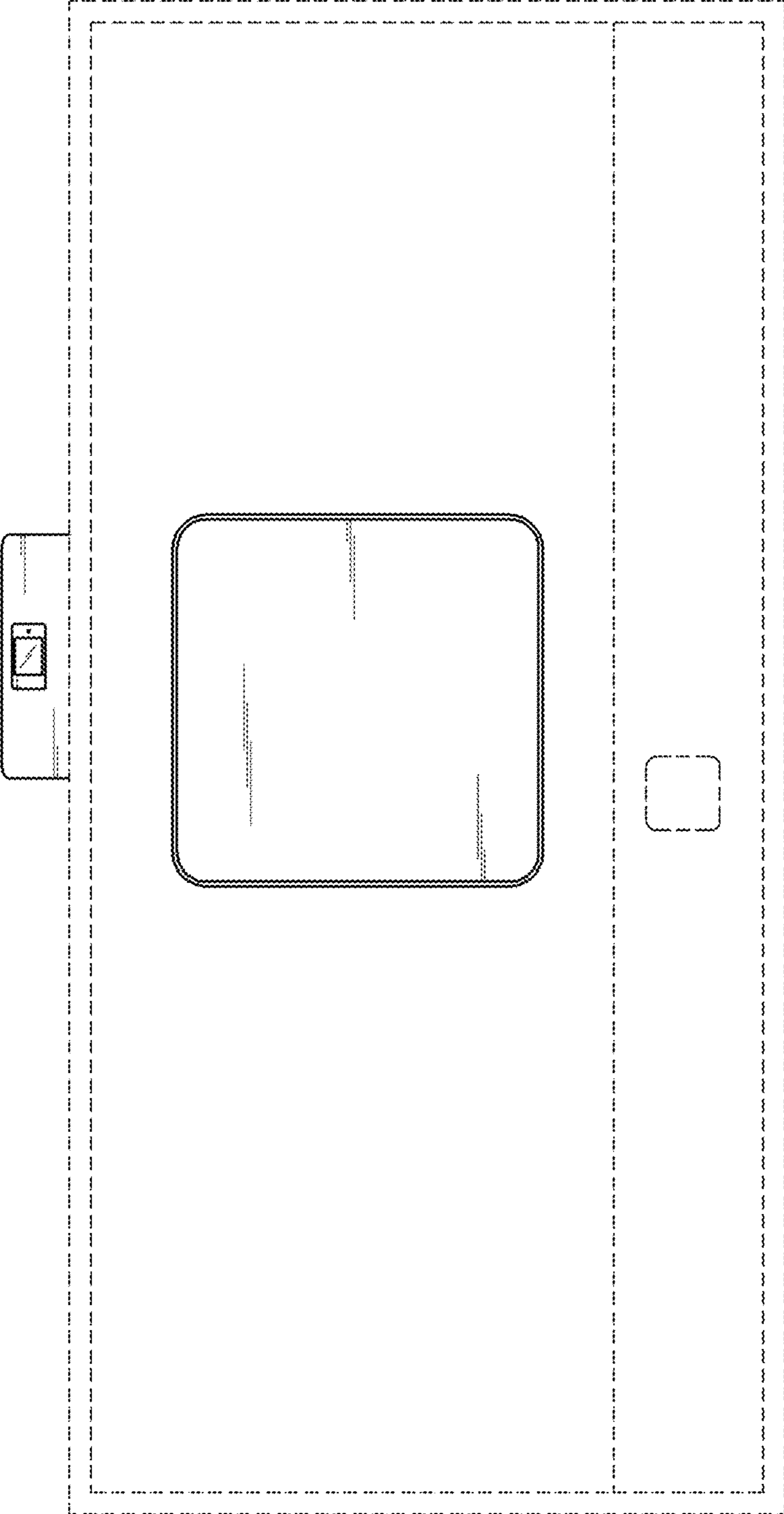
1.8



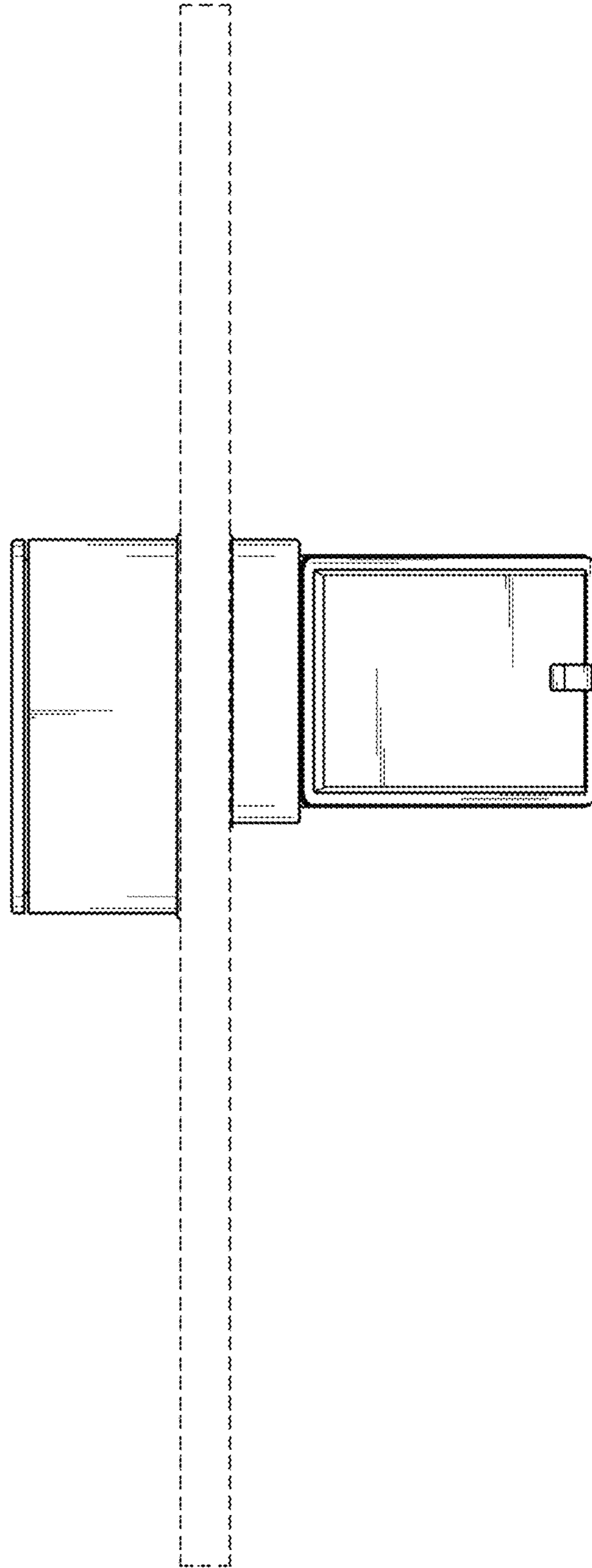
1.9



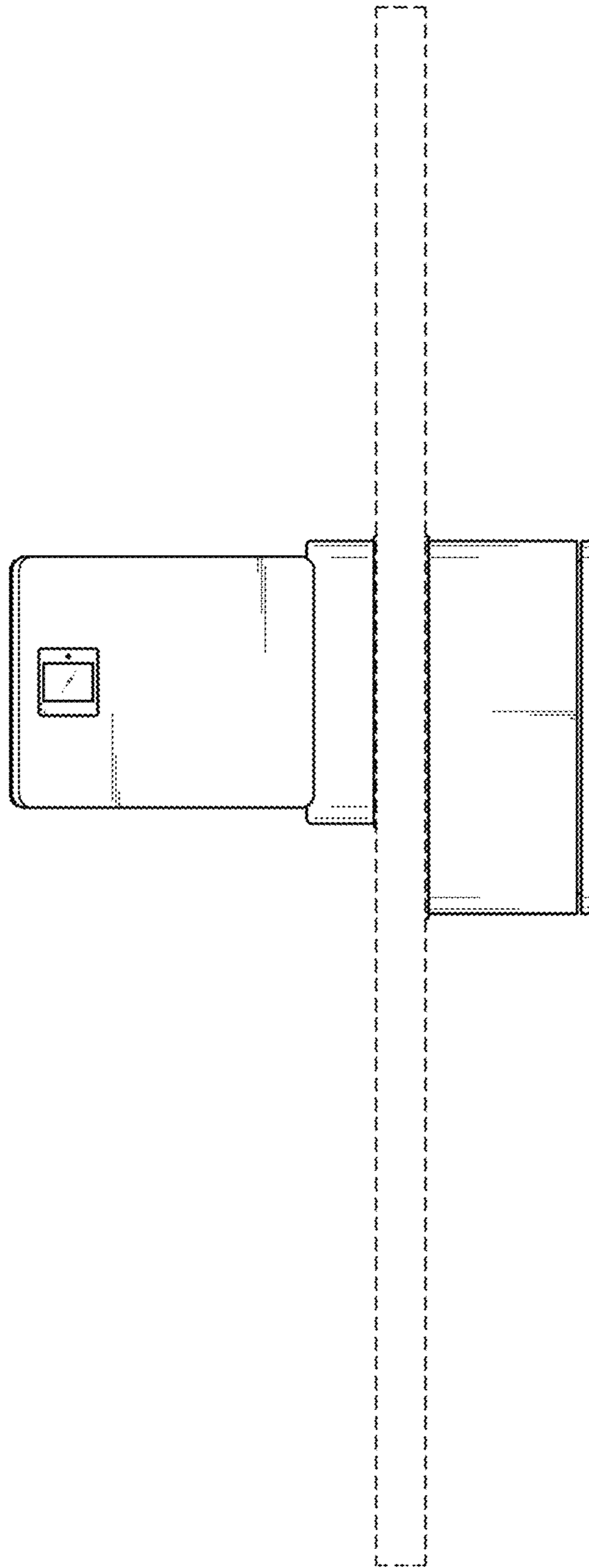
1.10



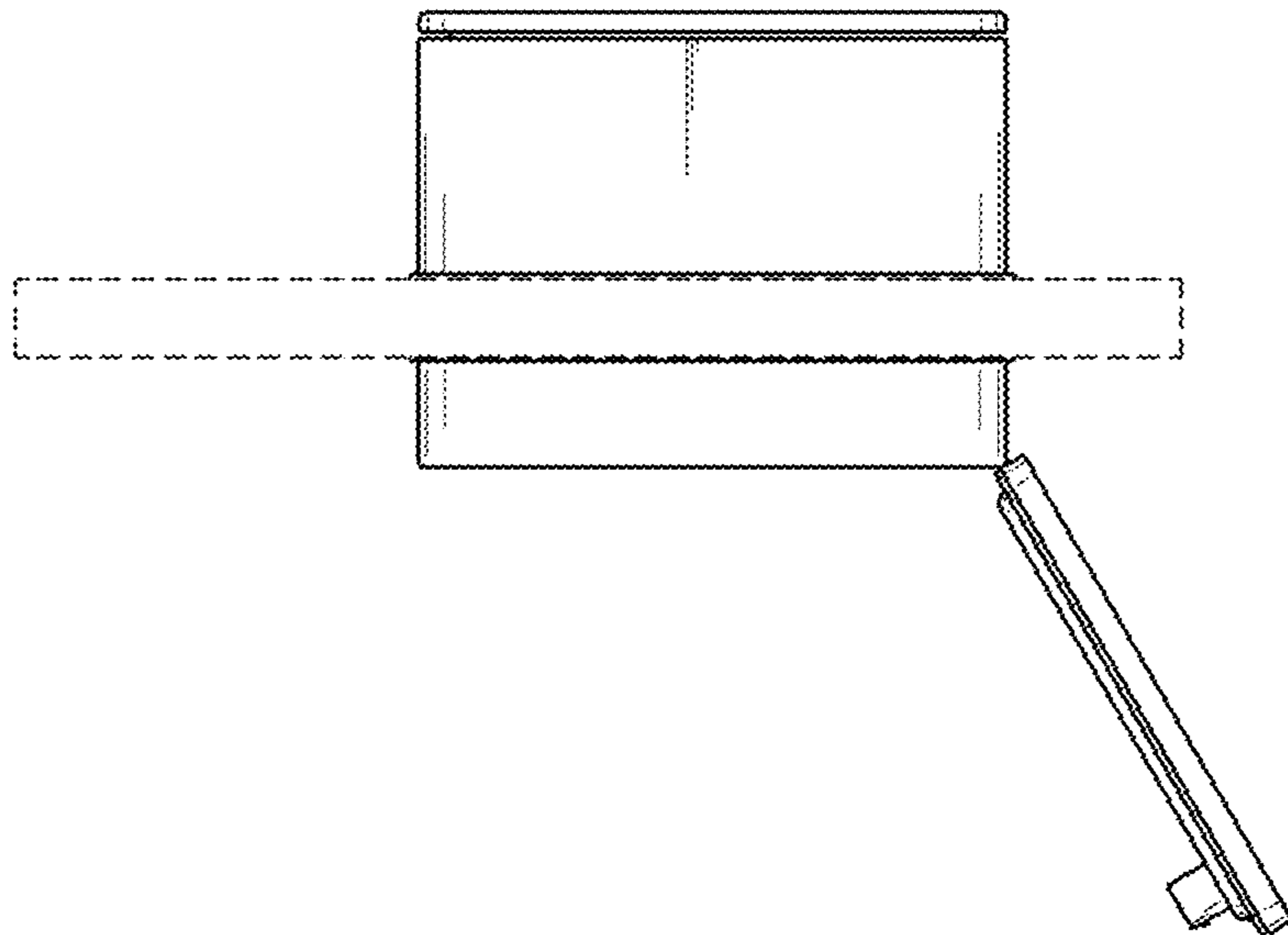
1.11



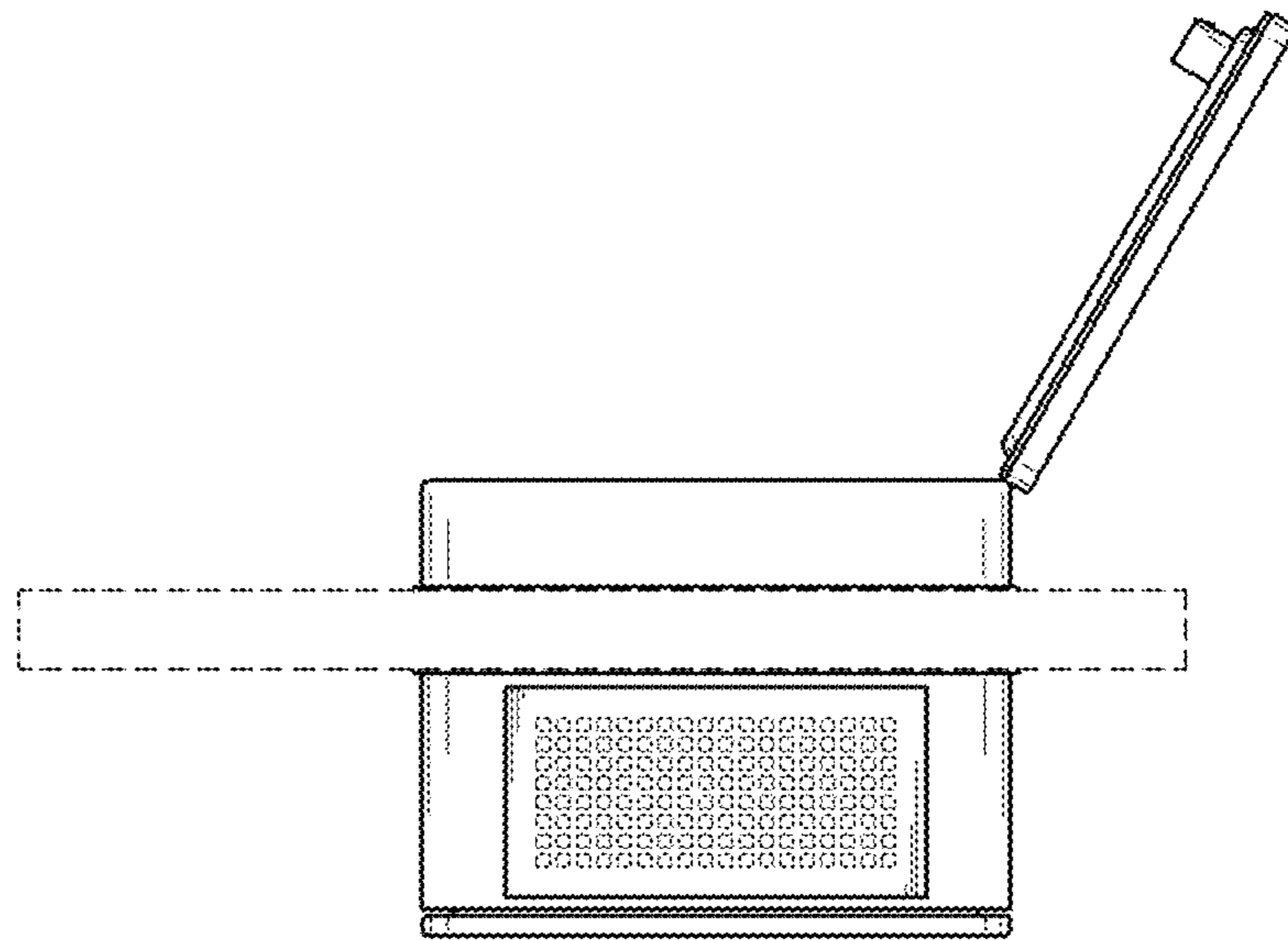
1.12



1.13

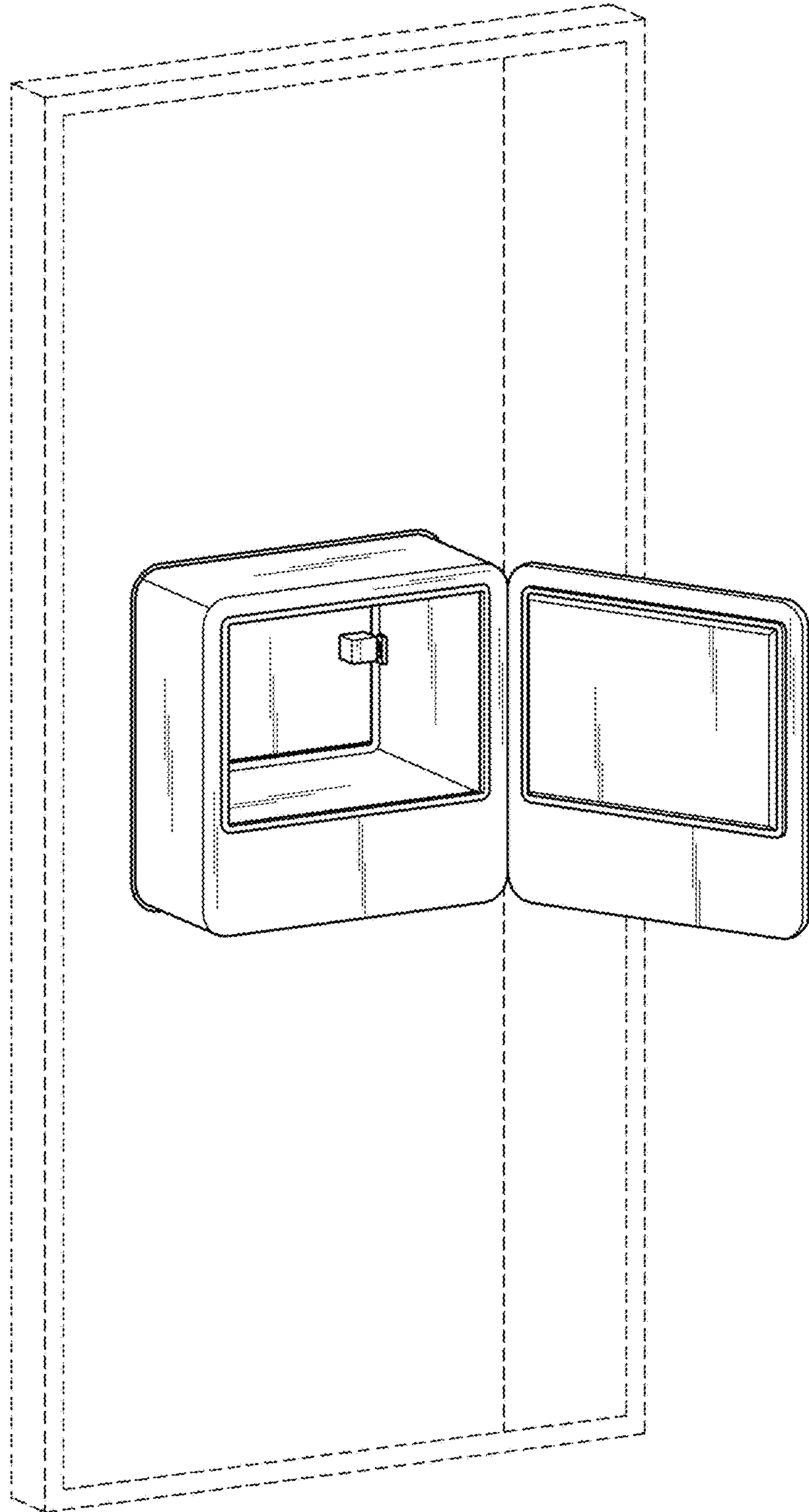


1.14

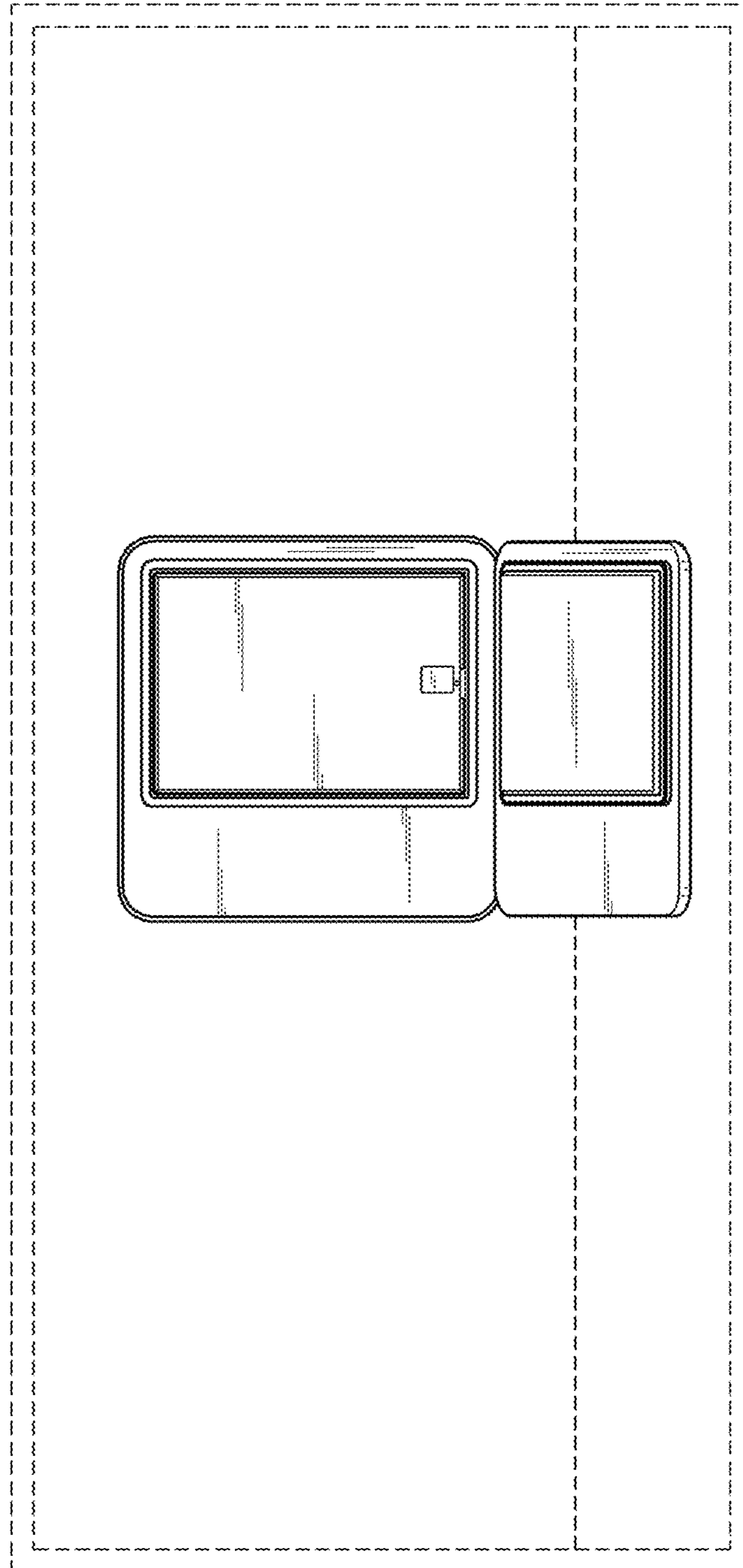




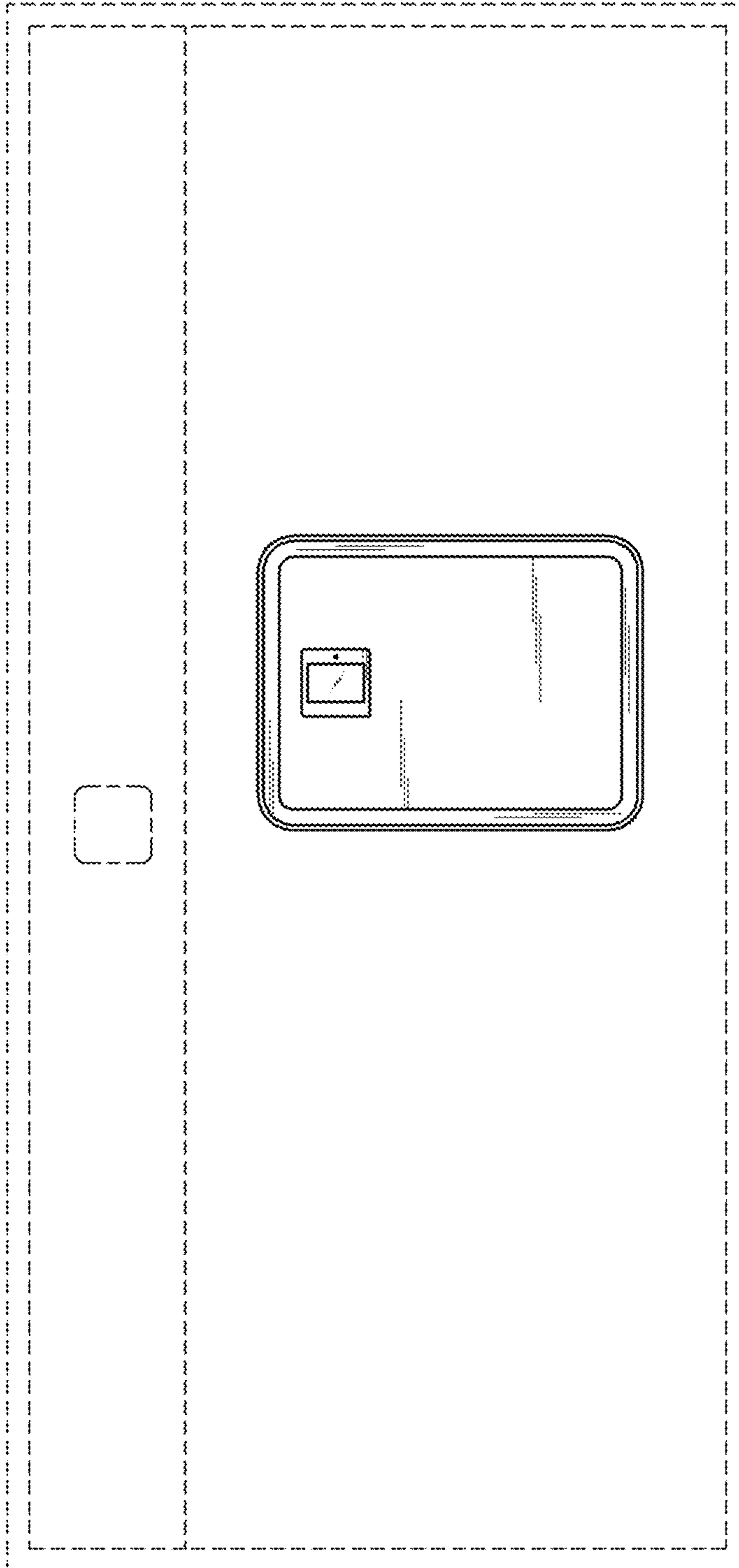
1.15



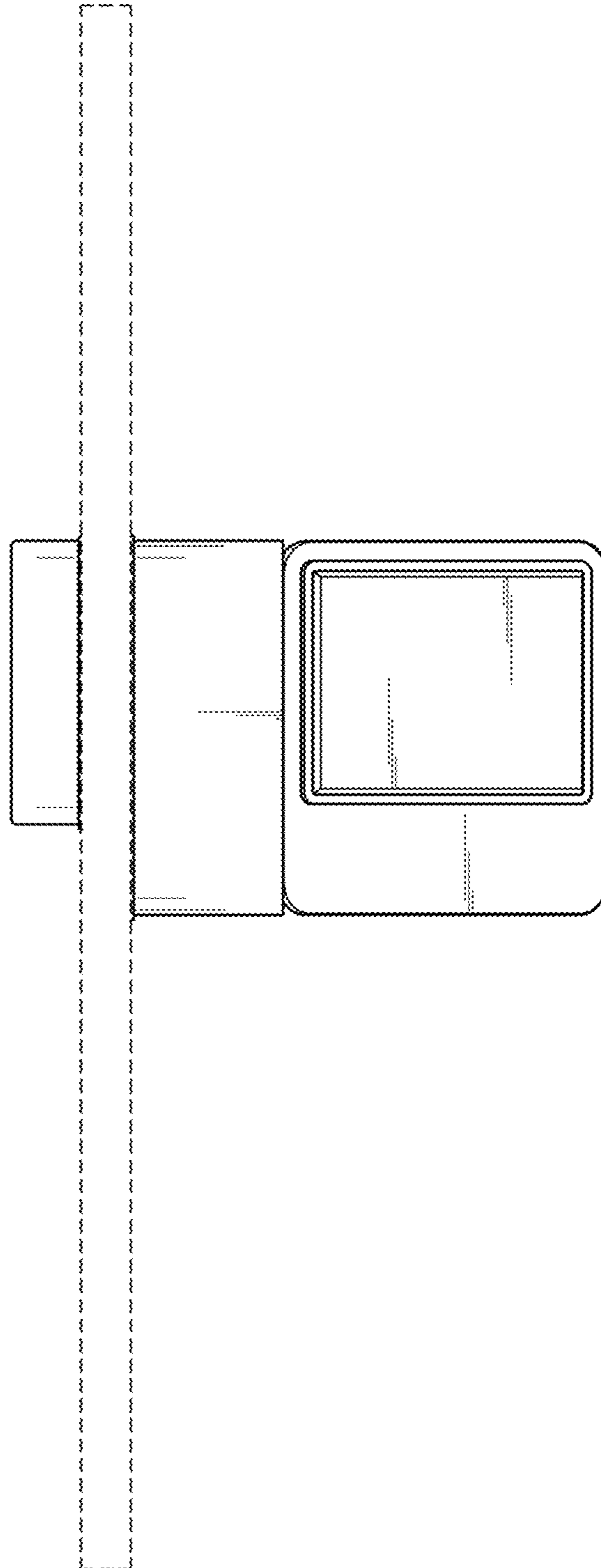
1.16



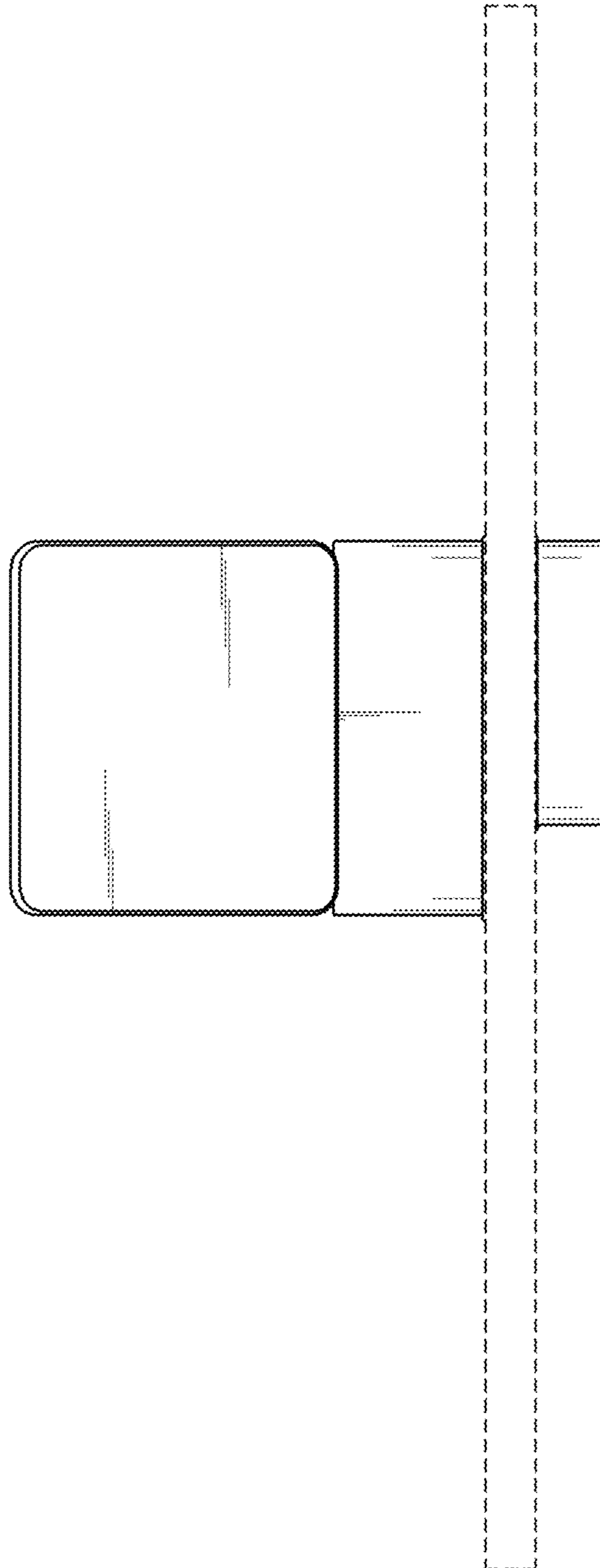
1.17



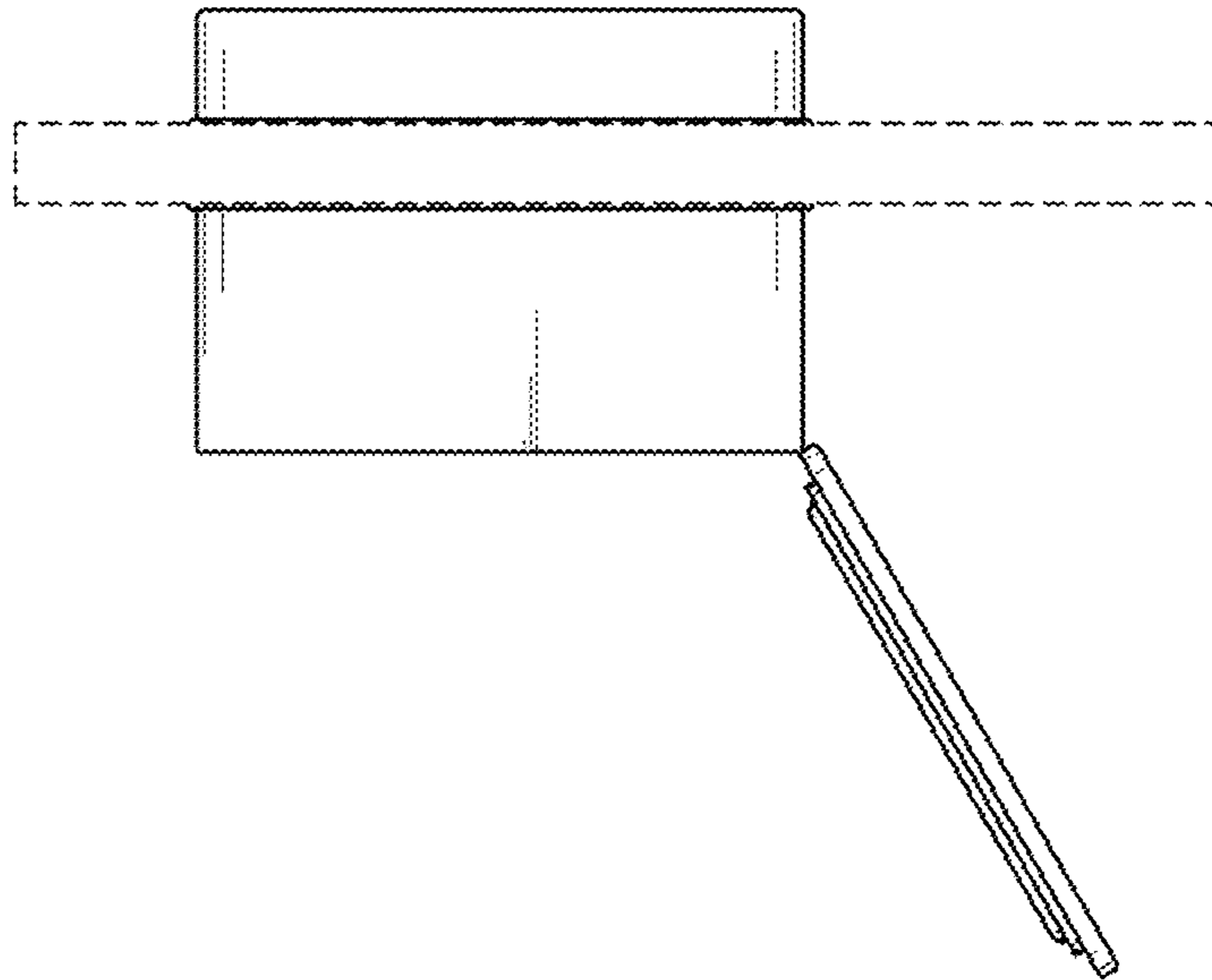
1.18



1.19



1.20



1.21

