



US00D924276S

(12) **United States Design Patent** (10) **Patent No.:** **US D924,276 S**  
**Chu** (45) **Date of Patent:** **\*\* Jul. 6, 2021**

(54) **CAP FOR AIR COMPRESSOR**  
(71) Applicant: **Henry C. Chu**, Orange, CA (US)  
(72) Inventor: **Henry C. Chu**, Orange, CA (US)  
(\* ) Notice: This patent is subject to a terminal disclaimer.  
(\*\*) Term: **15 Years**  
(21) Appl. No.: **29/678,009**  
(22) Filed: **Jan. 25, 2019**  
(51) **LOC (13) Cl.** ..... **15-02**  
(52) **U.S. Cl.**  
USPC ..... **D15/7**  
(58) **Field of Classification Search**  
USPC ..... D15/7-9; D23/231, 232, 225  
CPC .. F04B 39/00; F04B 1/12; F04B 11/00; F04B  
39/12; F01N 7/10  
See application file for complete search history.

D556,782 S *	12/2007	Chu	.....	D15/9
D556,783 S *	12/2007	Chu	.....	D15/9
D556,784 S *	12/2007	Chu	.....	D15/9
D556,785 S *	12/2007	Chu	.....	D15/9
D556,786 S *	12/2007	Chu	.....	D15/9
D557,287 S *	12/2007	Chu	.....	D15/9
D557,288 S *	12/2007	Chu	.....	D15/9
D574,854 S *	8/2008	Chu	.....	D15/9
D574,855 S *	8/2008	Chu	.....	D15/9
D574,858 S *	8/2008	Chu	.....	D15/9
D575,306 S *	8/2008	Chu	.....	D15/9
D575,307 S *	8/2008	Chu	.....	D15/9
D575,802 S *	8/2008	Chu	.....	D15/9
D589,064 S *	3/2009	Chu	.....	D15/9
D589,534 S *	3/2009	Chu	.....	D15/9
D603,873 S *	11/2009	Chu	.....	D15/9

(Continued)

*Primary Examiner* — Mitchell I. Siegel  
(74) *Attorney, Agent, or Firm* — Browdy and Neimark, PLLC

(57) **CLAIM**

The ornamental design for a cap for air compressor, as shown and described.

**DESCRIPTION**

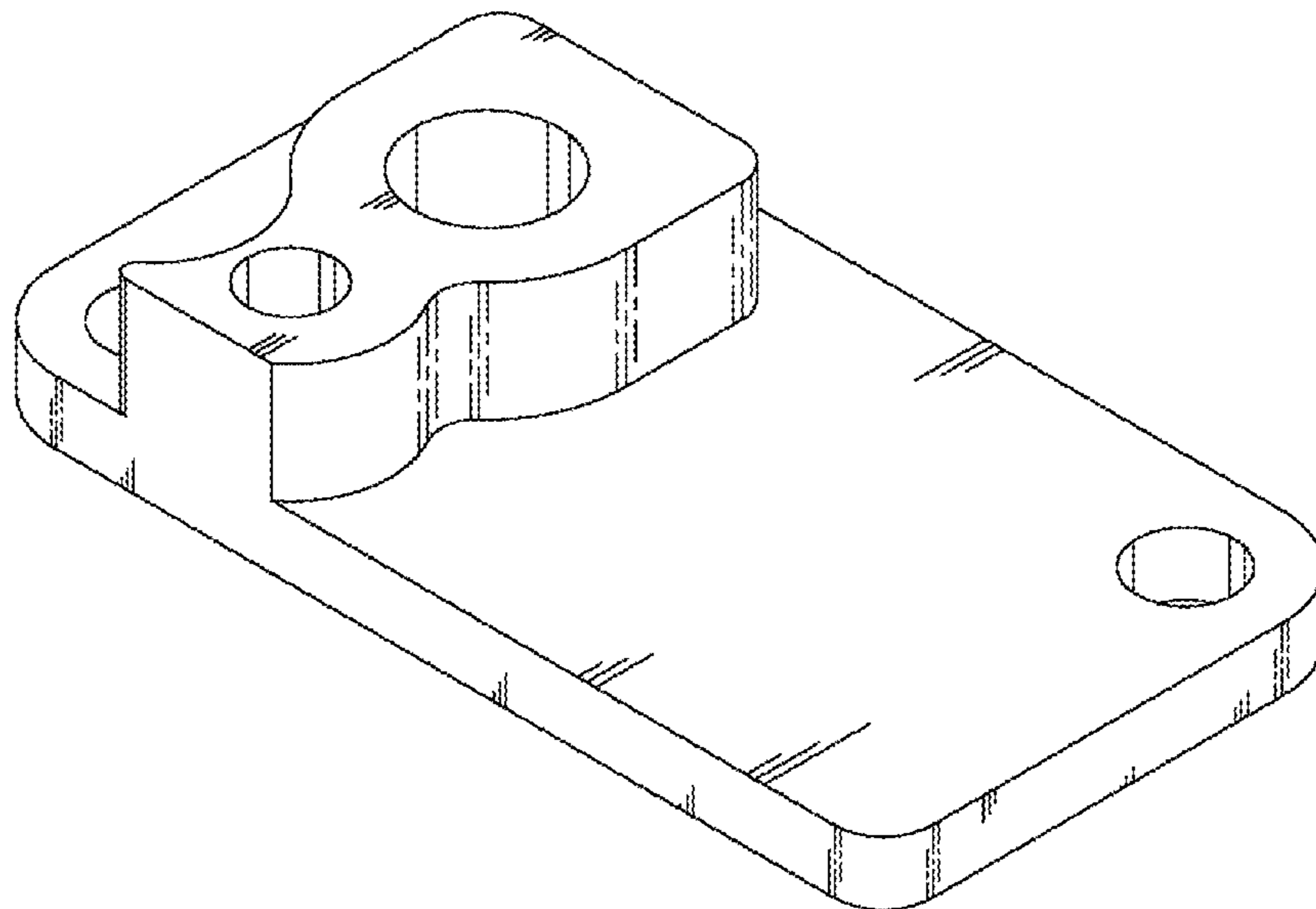
FIG. 1 is a front and upper and right perspective view of a cap for air compressor showing my new design;  
FIG. 2 is a front elevational view thereof;  
FIG. 3 is a rear elevational view thereof;  
FIG. 4 is a top plan view thereof;  
FIG. 5 is a bottom plan view thereof;  
FIG. 6 is a left side elevational view thereof;  
FIG. 7 is a right side elevational view thereof;  
FIG. 8 is a front and upper and left perspective view thereof;  
and,  
FIG. 9 is a front and bottom perspective view thereof.  
The broken away symbols in the drawings indicate that any portion of the article beyond what is shown forms no part of the claimed design.

**1 Claim, 5 Drawing Sheets**

(56) **References Cited**

**U.S. PATENT DOCUMENTS**

D506,477 S *	6/2005	Chu	.....	D15/9
D507,280 S *	7/2005	Chu	.....	D15/9
D529,049 S *	9/2006	Chu	.....	D15/9
D529,050 S *	9/2006	Chu	.....	D15/9
D529,517 S *	10/2006	Chu	.....	D15/9
D529,927 S *	10/2006	Chu	.....	D15/9
D529,928 S *	10/2006	Chu	.....	D15/9
D529,929 S *	10/2006	Chu	.....	D15/9
D529,930 S *	10/2006	Chu	.....	D15/9
D533,881 S *	12/2006	Chu	.....	D15/9
D537,453 S *	2/2007	Chu	.....	D15/9
D537,844 S *	3/2007	Chu	.....	D15/9
D540,824 S *	4/2007	Chu	.....	D15/9
D541,307 S *	4/2007	Chu	.....	D15/9
D541,308 S *	4/2007	Chu	.....	D15/9
D554,666 S *	11/2007	Chu	.....	D15/9
D554,667 S *	11/2007	Chu	.....	D15/9



(56)

References Cited

U.S. PATENT DOCUMENTS

D603,874 S *	11/2009	Chu	.....	D15/9	D678,345 S *	3/2013	Chu	.....	D15/9
D603,875 S *	11/2009	Chu	.....	D15/9	D678,346 S *	3/2013	Chu	.....	D15/9
D617,349 S *	6/2010	Chu	.....	D15/9	D678,347 S *	3/2013	Chu	.....	D15/9
D647,925 S *	11/2011	Chu	.....	D15/9	D678,910 S *	3/2013	Chu	.....	D15/7
D648,749 S *	11/2011	Chu	.....	D15/9	D678,913 S *	3/2013	Chu	.....	D15/9
D648,750 S *	11/2011	Chu	.....	D15/9	D694,270 S *	11/2013	Chu	.....	D15/9
D648,751 S *	11/2011	Chu	.....	D15/9	D694,271 S *	11/2013	Chu	.....	D15/9
D648,752 S *	11/2011	Chu	.....	D15/9	D694,272 S *	11/2013	Chu	.....	D15/9
D648,753 S *	11/2011	Chu	.....	D15/9	D694,277 S *	11/2013	Chu	.....	D15/9
D657,384 S *	4/2012	Chu	.....	D15/9	D700,217 S *	2/2014	Chu	.....	D15/9
D657,385 S *	4/2012	Chu	.....	D15/9	D700,218 S *	2/2014	Chu	.....	D15/9
D657,386 S *	4/2012	Chu	.....	D15/9	D700,628 S *	3/2014	Chu	.....	D15/9
D657,387 S *	4/2012	Chu	.....	D15/9	D704,233 S *	5/2014	Chu	.....	D15/9
D657,388 S *	4/2012	Chu	.....	D15/9	D710,389 S *	8/2014	Chu	.....	D15/9
D657,389 S *	4/2012	Chu	.....	D15/9	D710,390 S *	8/2014	Chu	.....	D15/9
D657,390 S *	4/2012	Chu	.....	D15/9	D710,391 S *	8/2014	Chu	.....	D15/9
D657,391 S *	4/2012	Chu	.....	D15/9	D710,392 S *	8/2014	Chu	.....	D15/9
D657,392 S *	4/2012	Chu	.....	D15/9	D710,393 S *	8/2014	Chu	.....	D15/9
D666,218 S *	8/2012	Chu	.....	D15/9	D710,394 S *	8/2014	Chu	.....	D15/9
D666,219 S *	8/2012	Chu	.....	D15/9	D711,431 S *	8/2014	Chu	.....	D15/9
D673,585 S *	1/2013	Chu	.....	D15/9	D714,829 S *	10/2014	Chu	.....	D15/9
D678,340 S *	3/2013	Chu	.....	D15/9	D714,830 S *	10/2014	Chu	.....	D15/9
D678,344 S *	3/2013	Chu	.....	D15/9	D735,242 S *	7/2015	Chu	.....	D15/9
					D738,935 S *	9/2015	Chu	.....	D15/9
					D749,139 S *	2/2016	Chu	.....	D15/9

\* cited by examiner

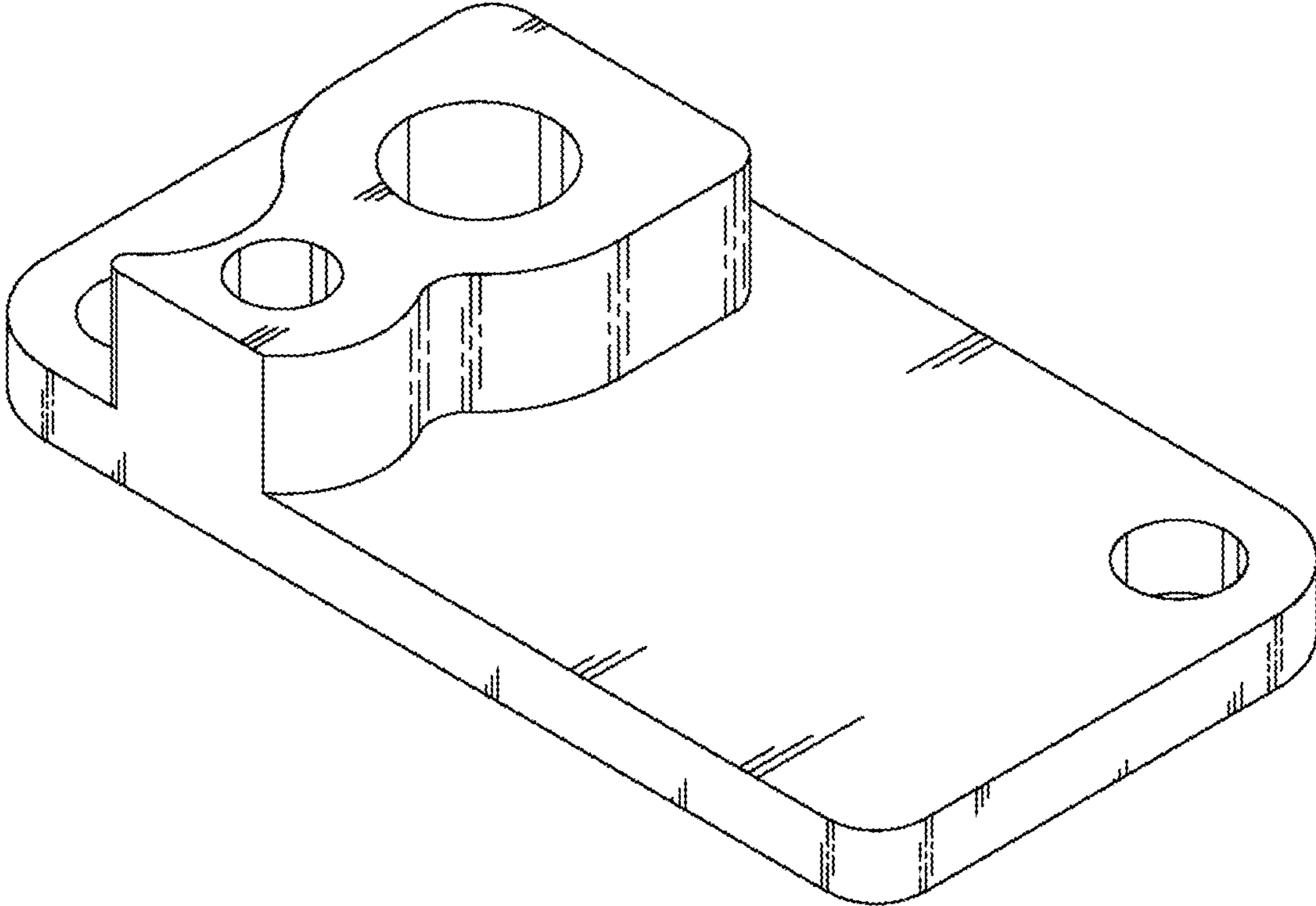


FIG. 1



FIG. 2



FIG. 3

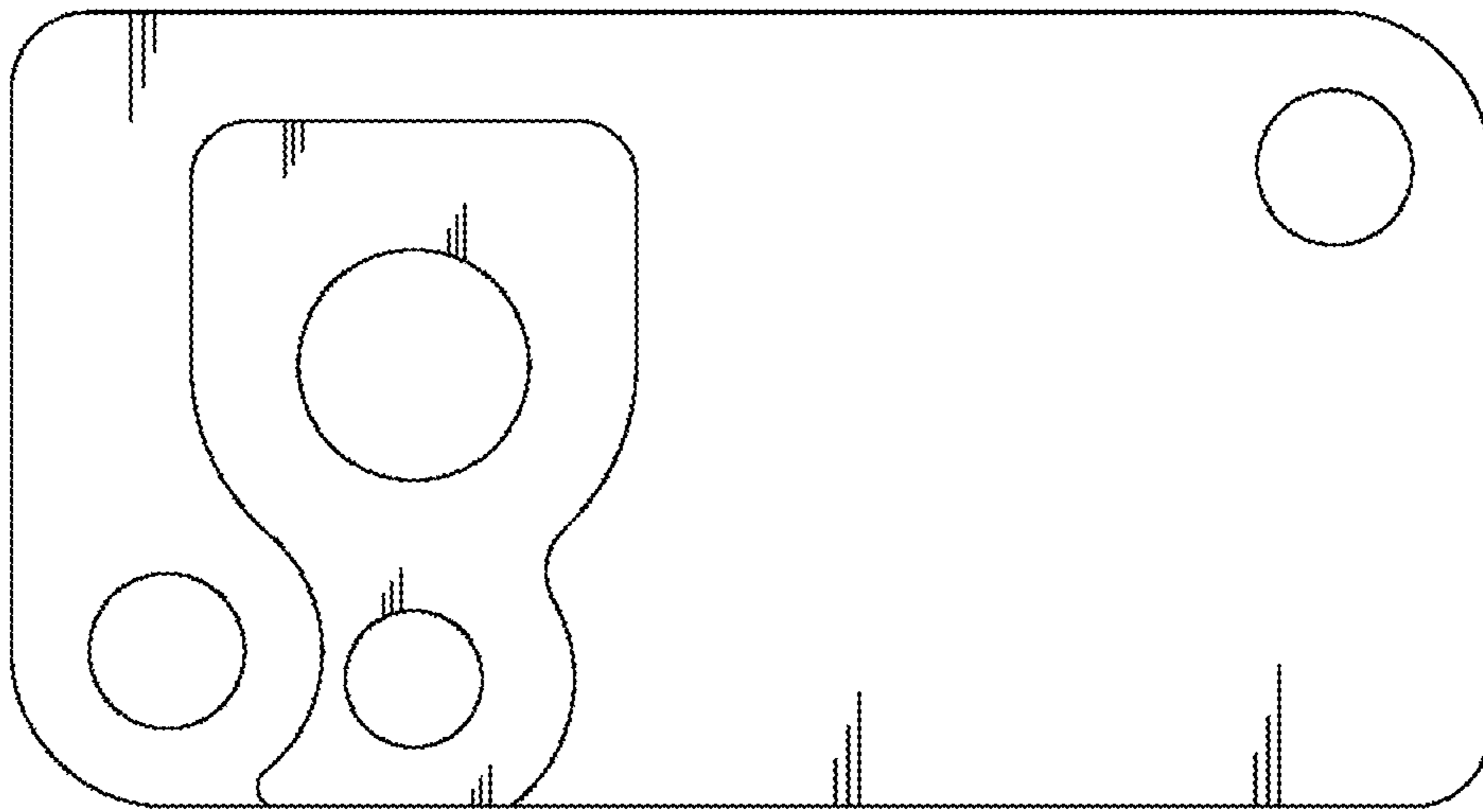


FIG. 4

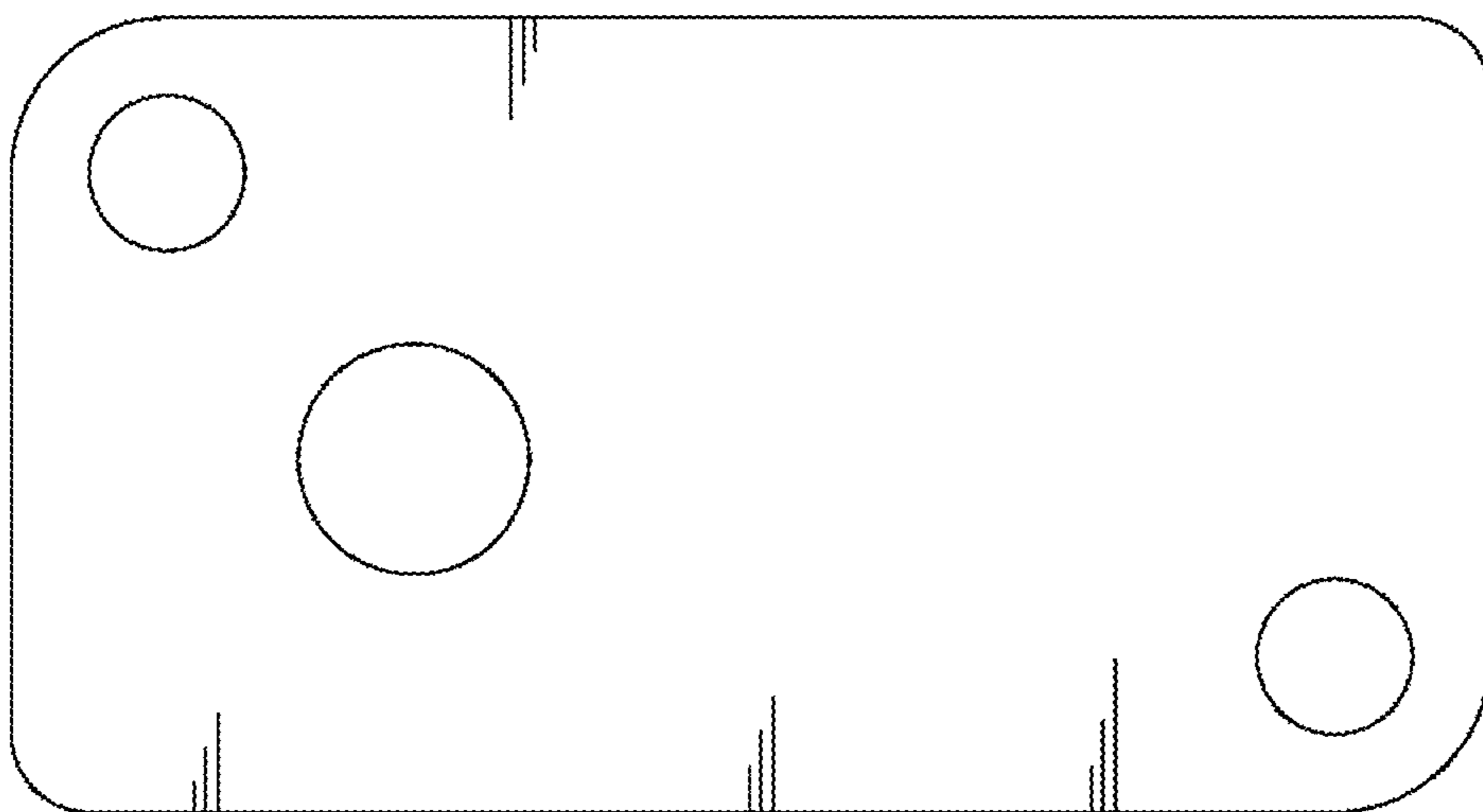


FIG. 5



FIG. 6



FIG. 7

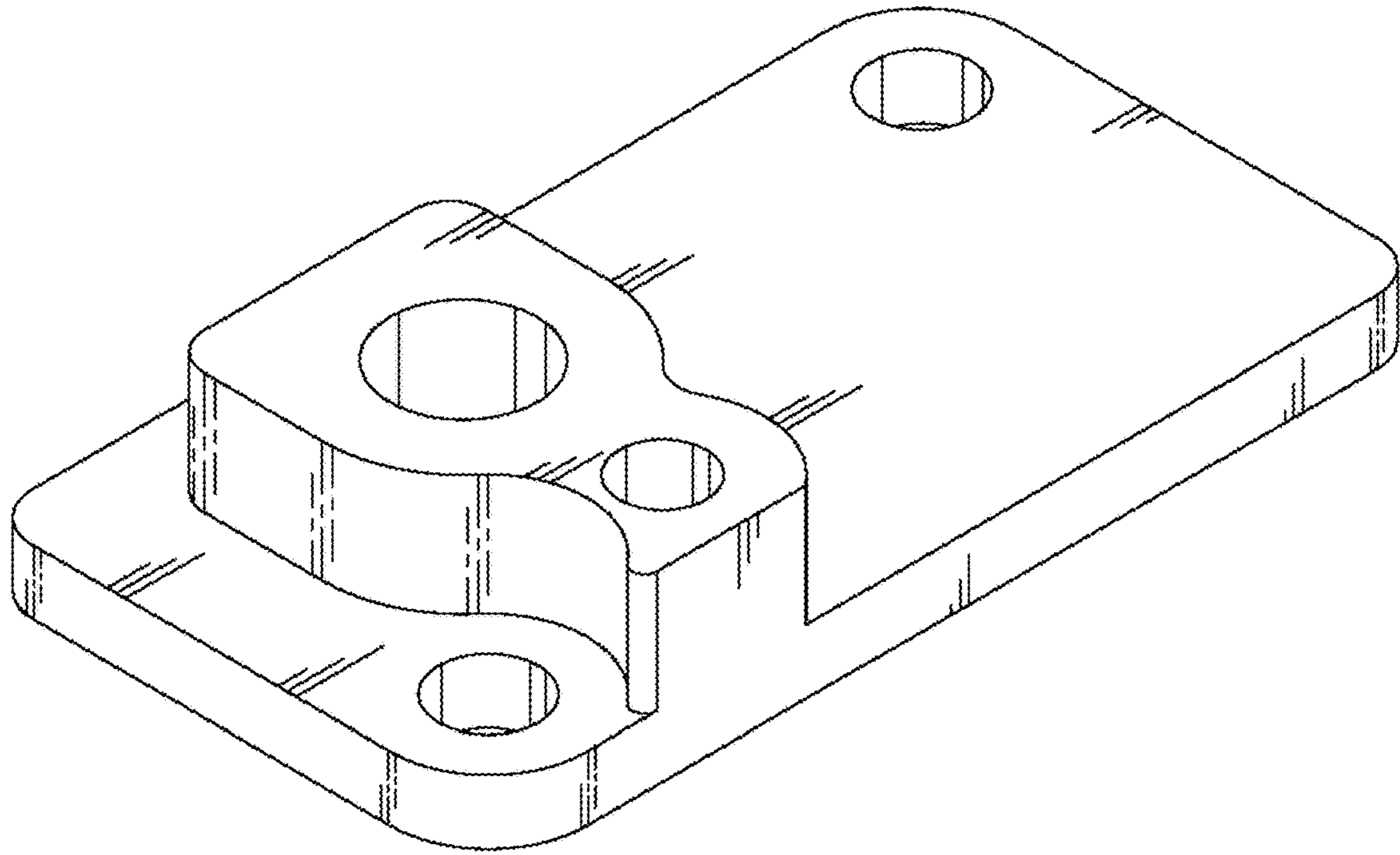


FIG. 8

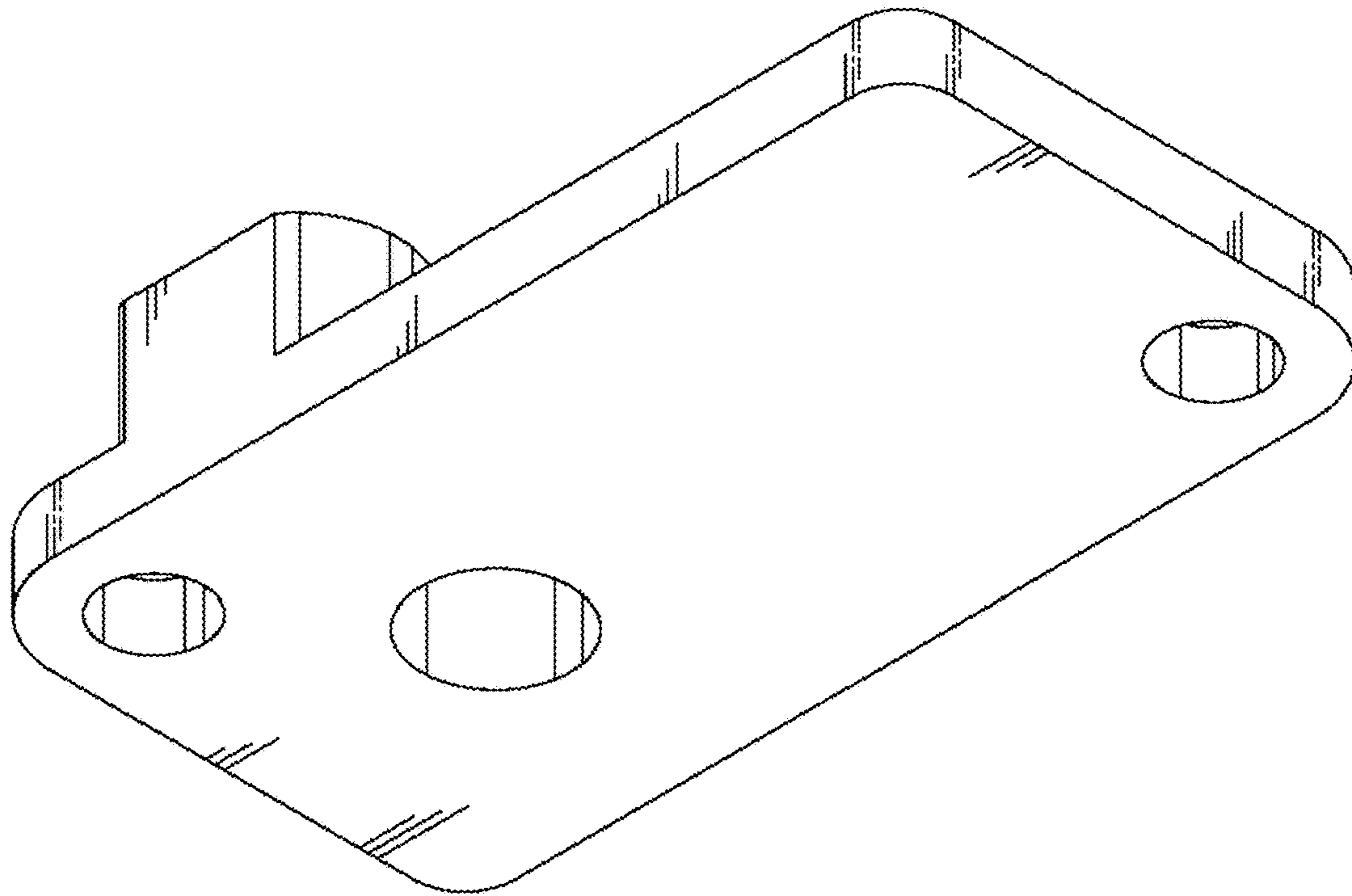


FIG. 9