



US00D924275S

(12) **United States Design Patent** (10) **Patent No.:** **US D924,275 S**
Chu (45) **Date of Patent:** **** Jul. 6, 2021**

(54) **CAP FOR AIR COMPRESSOR**
(71) Applicant: **Henry C. Chu**, Orange, CA (US)
(72) Inventor: **Henry C. Chu**, Orange, CA (US)
(**) Term: **15 Years**
(21) Appl. No.: **29/678,007**
(22) Filed: **Jan. 25, 2019**
(51) **LOC (13) Cl.** **15-02**
(52) **U.S. Cl.**
USPC **D15/7**
(58) **Field of Classification Search**
USPC D15/7-9; D23/231, 232, 225
CPC .. F04B 39/00; F04B 1/12; F04B 11/00; F04B
39/12; F01N 7/10
See application file for complete search history.

D556,785 S * 12/2007 Chu D15/9
D556,786 S * 12/2007 Chu D15/9
D557,287 S * 12/2007 Chu D15/9
D557,288 S * 12/2007 Chu D15/9
D574,854 S * 8/2008 Chu D15/9
D574,855 S * 8/2008 Chu D15/9
D574,858 S * 8/2008 Chu D15/9
D575,306 S * 8/2008 Chu D15/9
D575,307 S * 8/2008 Chu D15/9
D575,802 S * 8/2008 Chu D15/9
D589,064 S * 3/2009 Chu D15/9
D589,534 S * 3/2009 Chu D15/9
D603,873 S * 11/2009 Chu D15/9
D603,874 S * 11/2009 Chu D15/9
D603,875 S * 11/2009 Chu D15/9

(Continued)

Primary Examiner — Mitchell I. Siegel
(74) *Attorney, Agent, or Firm* — Browdy and Neimark, PLLC

(56) **References Cited**

U.S. PATENT DOCUMENTS

D506,477 S * 6/2005 Chu D15/9
D507,280 S * 7/2005 Chu D15/9
D529,049 S * 9/2006 Chu D15/9
D529,050 S * 9/2006 Chu D15/9
D529,517 S * 10/2006 Chu D15/9
D529,927 S * 10/2006 Chu D15/9
D529,928 S * 10/2006 Chu D15/9
D529,929 S * 10/2006 Chu D15/9
D529,930 S * 10/2006 Chu D15/9
D533,881 S * 12/2006 Chu D15/9
D537,453 S * 2/2007 Chu D15/9
D537,844 S * 3/2007 Chu D15/9
D540,824 S * 4/2007 Chu D15/9
D541,307 S * 4/2007 Chu D15/9
D541,308 S * 4/2007 Chu D15/9
D554,666 S * 11/2007 Chu D15/9
D554,667 S * 11/2007 Chu D15/9
D556,782 S * 12/2007 Chu D15/9
D556,783 S * 12/2007 Chu D15/9
D556,784 S * 12/2007 Chu D15/9

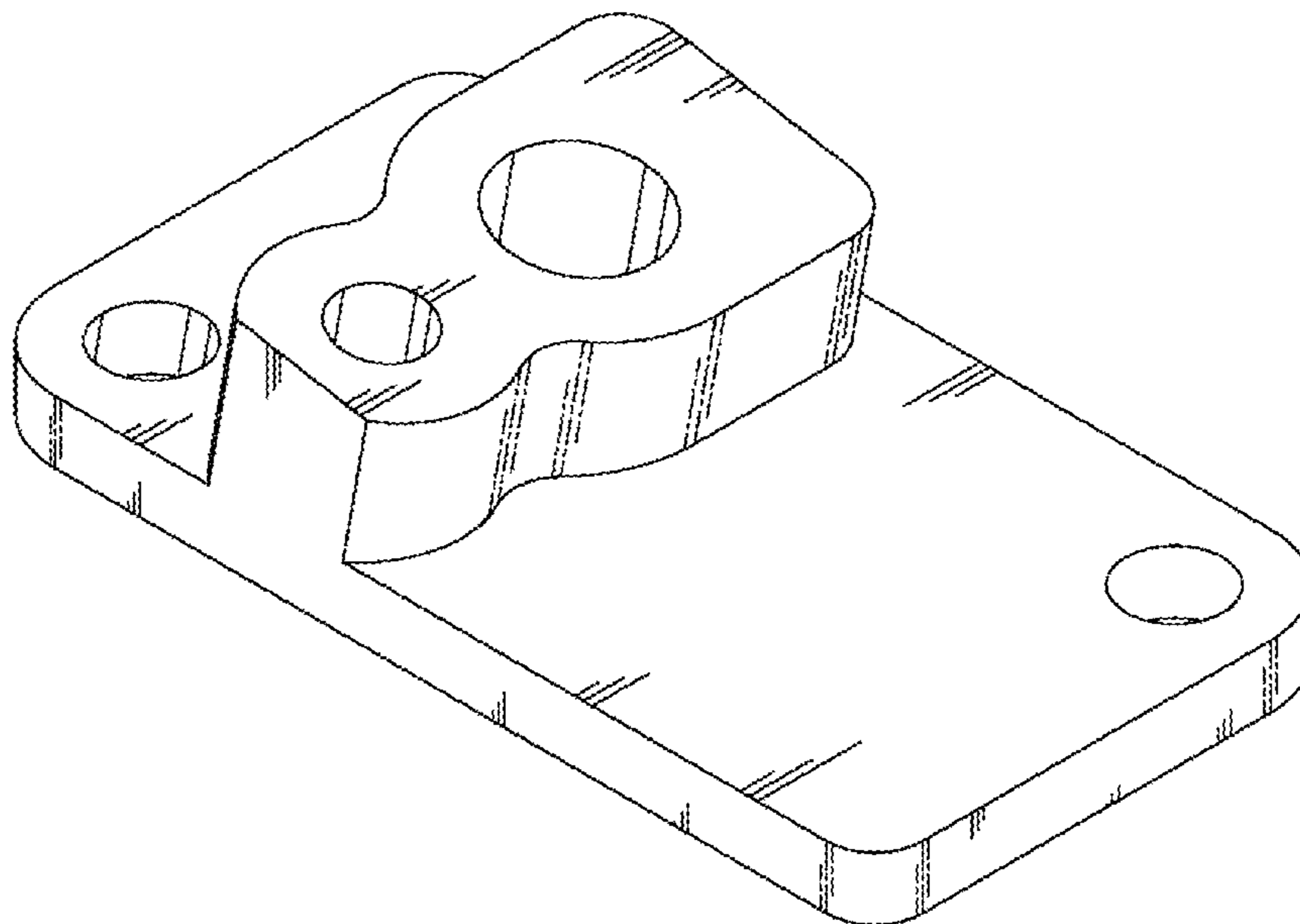
(57) **CLAIM**

The ornamental design for a cap for air compressor, as shown and described.

DESCRIPTION

FIG. 1 is a front and upper and right perspective view of a cap for air compressor showing my new design; FIG. 2 is a front elevational view thereof; FIG. 3 is a rear elevational view thereof; FIG. 4 is a top plan view thereof; FIG. 5 is a bottom plan view thereof; FIG. 6 is a left side elevational view thereof; FIG. 7 is a right side elevational view thereof; FIG. 8 is a front and upper and left perspective view thereof; and, FIG. 9 is a front and bottom perspective view thereof. The broken away symbols in the drawings indicate that any portion of the article beyond what is shown forms no part of the claimed design.

1 Claim, 5 Drawing Sheets



(56)

References Cited

U.S. PATENT DOCUMENTS

| | | | | | | | | | |
|--------------|---------|-----|-------|-------|--------------|---------|-----|-------|-------|
| D617,349 S * | 6/2010 | Chu | | D15/9 | D678,346 S * | 3/2013 | Chu | | D15/9 |
| D647,925 S * | 11/2011 | Chu | | D15/9 | D678,347 S * | 3/2013 | Chu | | D15/9 |
| D648,749 S * | 11/2011 | Chu | | D15/9 | D678,910 S * | 3/2013 | Chu | | D15/7 |
| D648,750 S * | 11/2011 | Chu | | D15/9 | D678,913 S * | 3/2013 | Chu | | D15/9 |
| D648,751 S * | 11/2011 | Chu | | D15/9 | D694,270 S * | 11/2013 | Chu | | D15/9 |
| D648,752 S * | 11/2011 | Chu | | D15/9 | D694,271 S * | 11/2013 | Chu | | D15/9 |
| D648,753 S * | 11/2011 | Chu | | D15/9 | D694,272 S * | 11/2013 | Chu | | D15/9 |
| D657,384 S * | 4/2012 | Chu | | D15/9 | D694,277 S * | 11/2013 | Chu | | D15/9 |
| D657,385 S * | 4/2012 | Chu | | D15/9 | D700,217 S * | 2/2014 | Chu | | D15/9 |
| D657,386 S * | 4/2012 | Chu | | D15/9 | D700,218 S * | 2/2014 | Chu | | D15/9 |
| D657,387 S * | 4/2012 | Chu | | D15/9 | D700,628 S * | 3/2014 | Chu | | D15/9 |
| D657,388 S * | 4/2012 | Chu | | D15/9 | D704,233 S * | 5/2014 | Chu | | D15/9 |
| D657,389 S * | 4/2012 | Chu | | D15/9 | D710,389 S * | 8/2014 | Chu | | D15/9 |
| D657,390 S * | 4/2012 | Chu | | D15/9 | D710,390 S * | 8/2014 | Chu | | D15/9 |
| D657,391 S * | 4/2012 | Chu | | D15/9 | D710,391 S * | 8/2014 | Chu | | D15/9 |
| D657,392 S * | 4/2012 | Chu | | D15/9 | D710,392 S * | 8/2014 | Chu | | D15/9 |
| D666,218 S * | 8/2012 | Chu | | D15/9 | D710,393 S * | 8/2014 | Chu | | D15/9 |
| D666,219 S * | 8/2012 | Chu | | D15/9 | D710,394 S * | 8/2014 | Chu | | D15/9 |
| D673,585 S * | 1/2013 | Chu | | D15/9 | D711,431 S * | 8/2014 | Chu | | D15/9 |
| D678,340 S * | 3/2013 | Chu | | D15/9 | D714,829 S * | 10/2014 | Chu | | D15/9 |
| D678,344 S * | 3/2013 | Chu | | D15/9 | D714,830 S * | 10/2014 | Chu | | D15/9 |
| D678,345 S * | 3/2013 | Chu | | D15/9 | D735,242 S * | 7/2015 | Chu | | D15/9 |
| | | | | | D738,935 S * | 9/2015 | Chu | | D15/9 |
| | | | | | D749,139 S * | 2/2016 | Chu | | D15/9 |

* cited by examiner

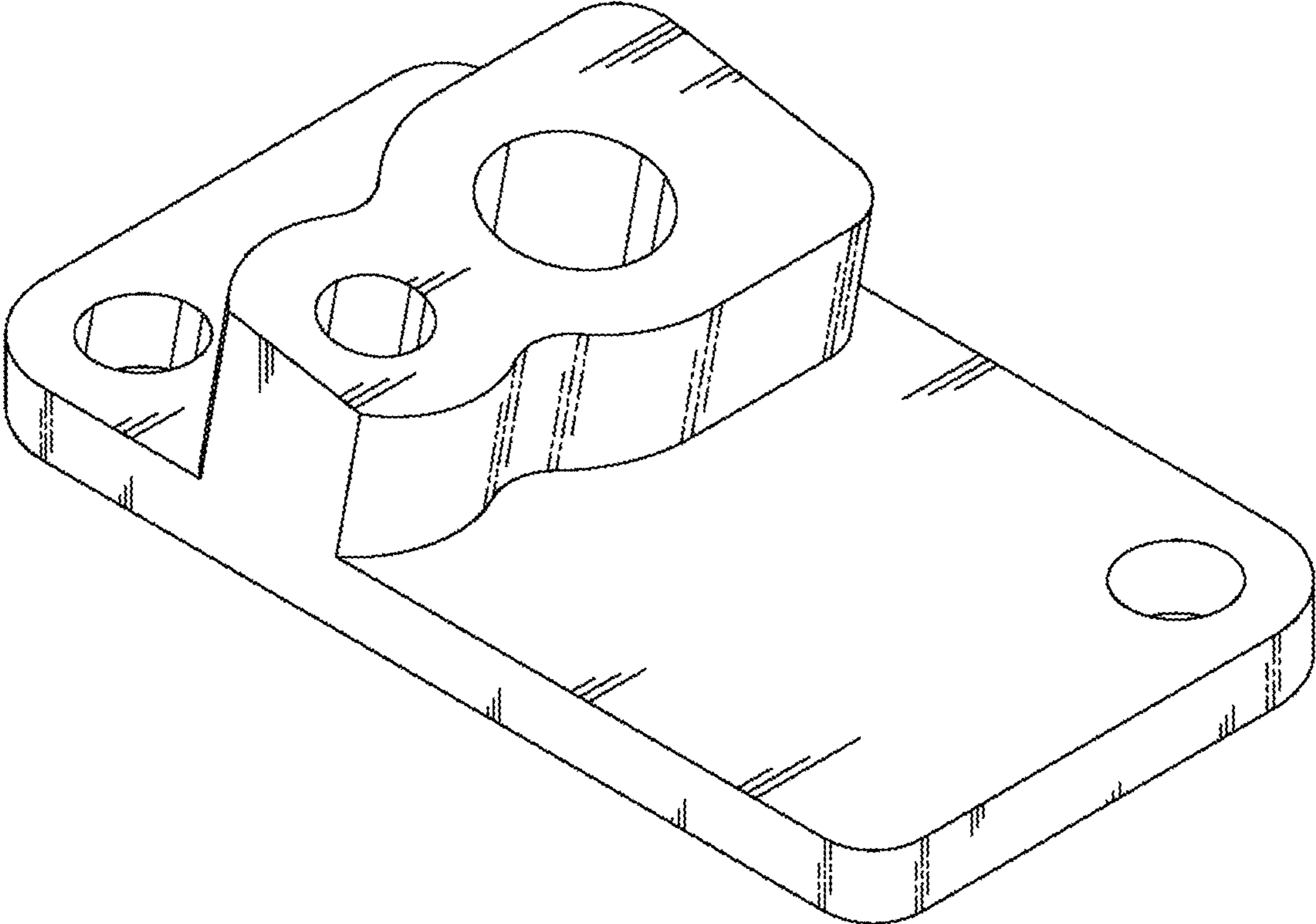


FIG. 1

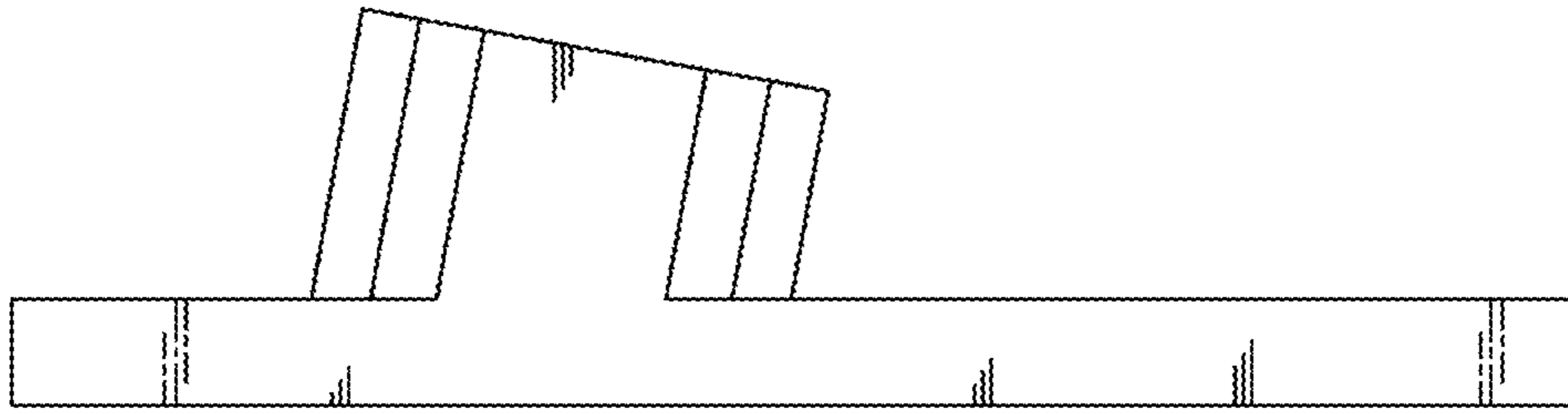


FIG. 2

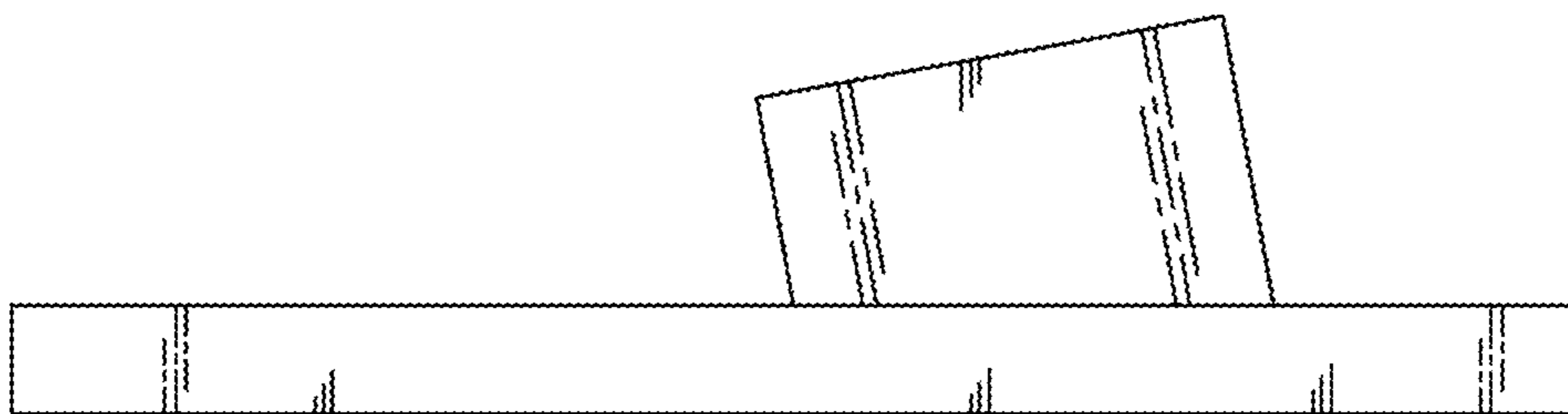


FIG. 3

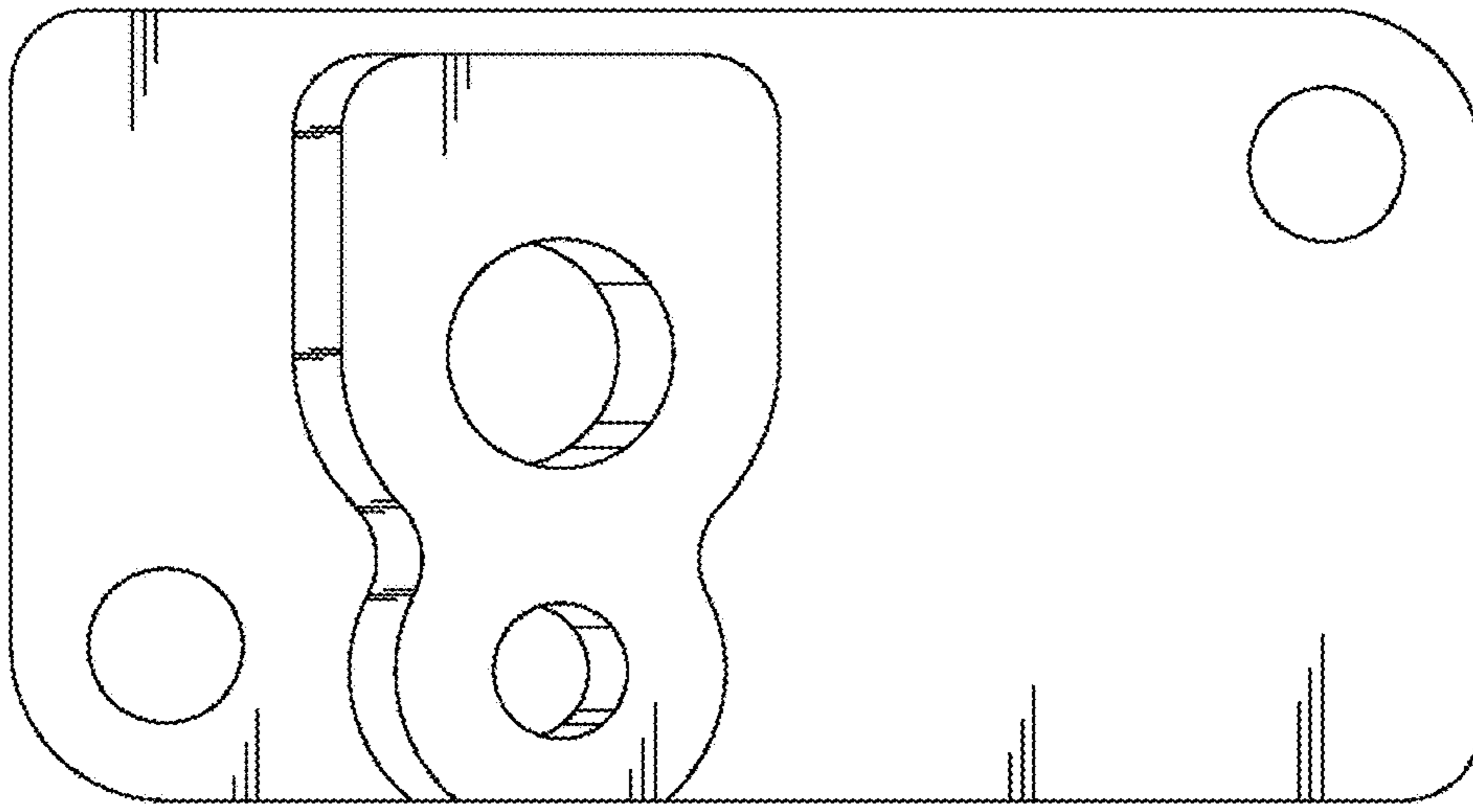


FIG. 4

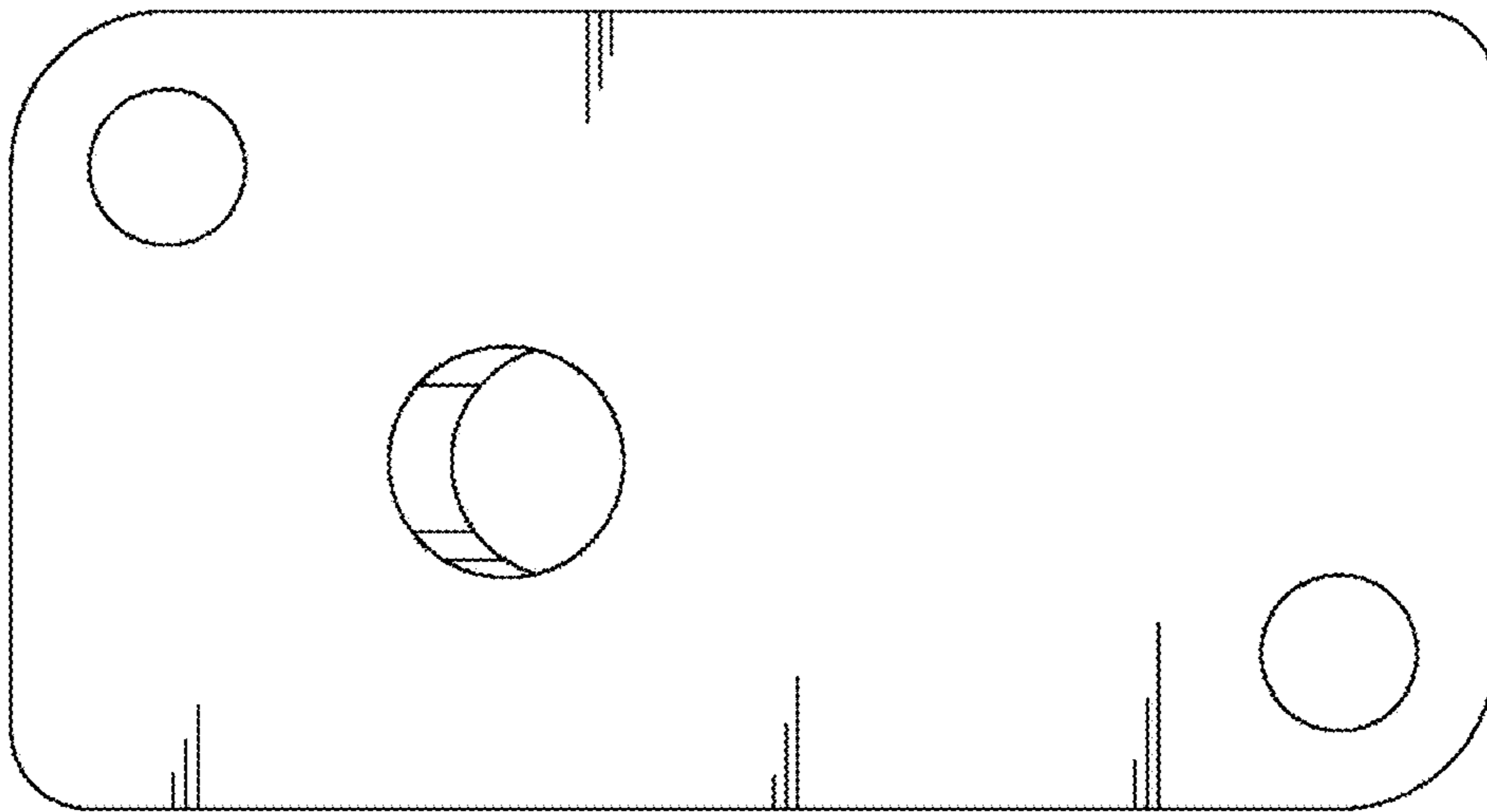


FIG. 5

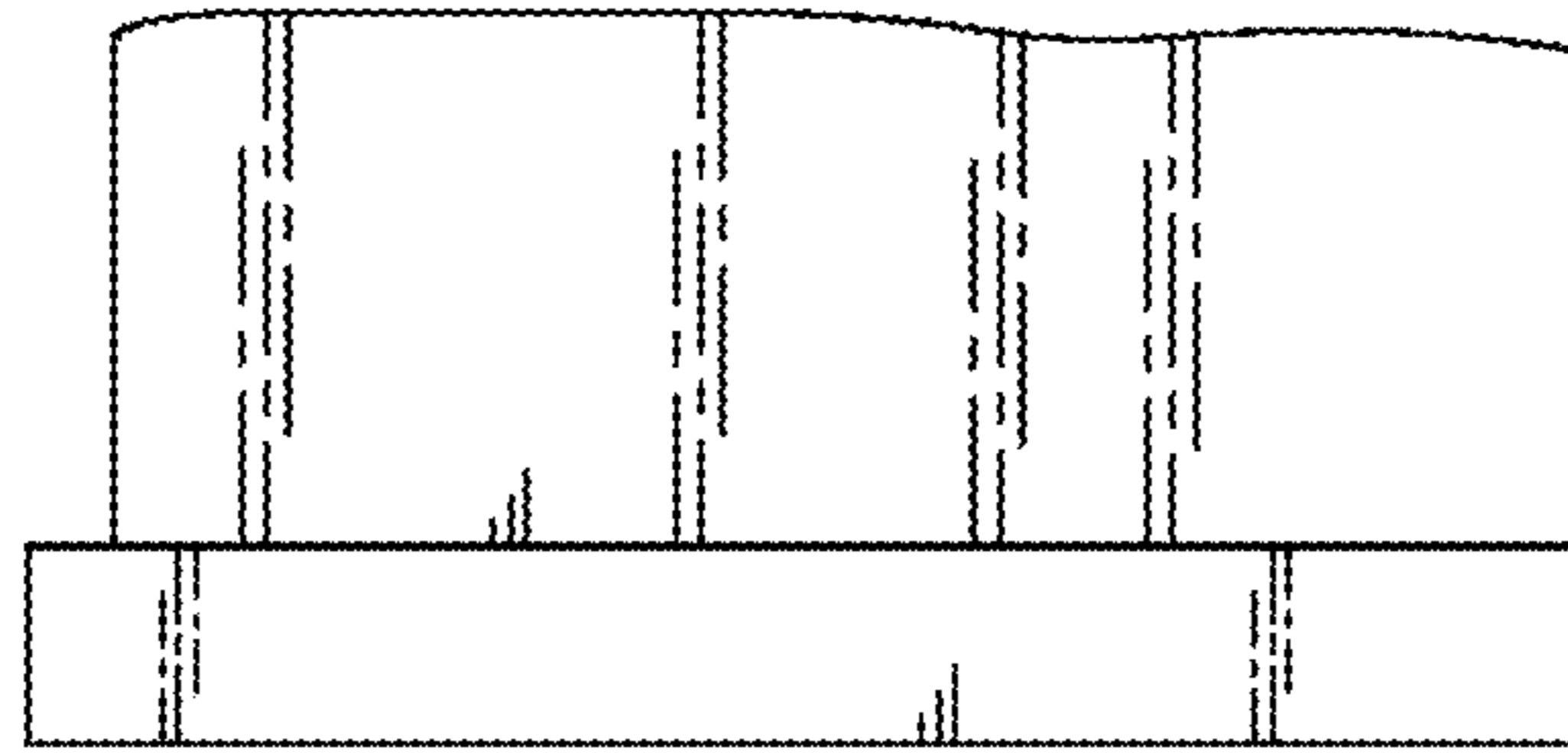


FIG. 6

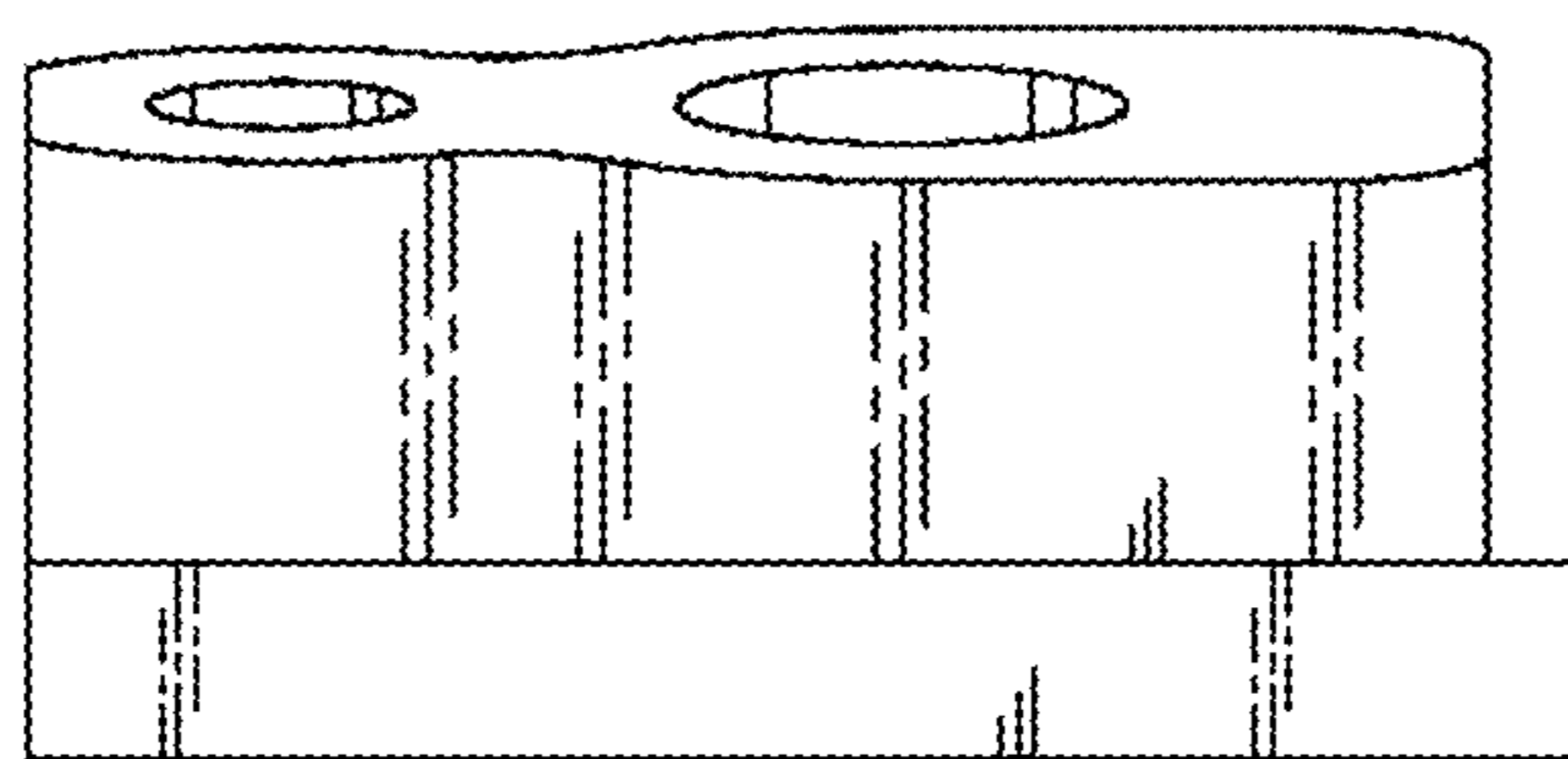


FIG. 7

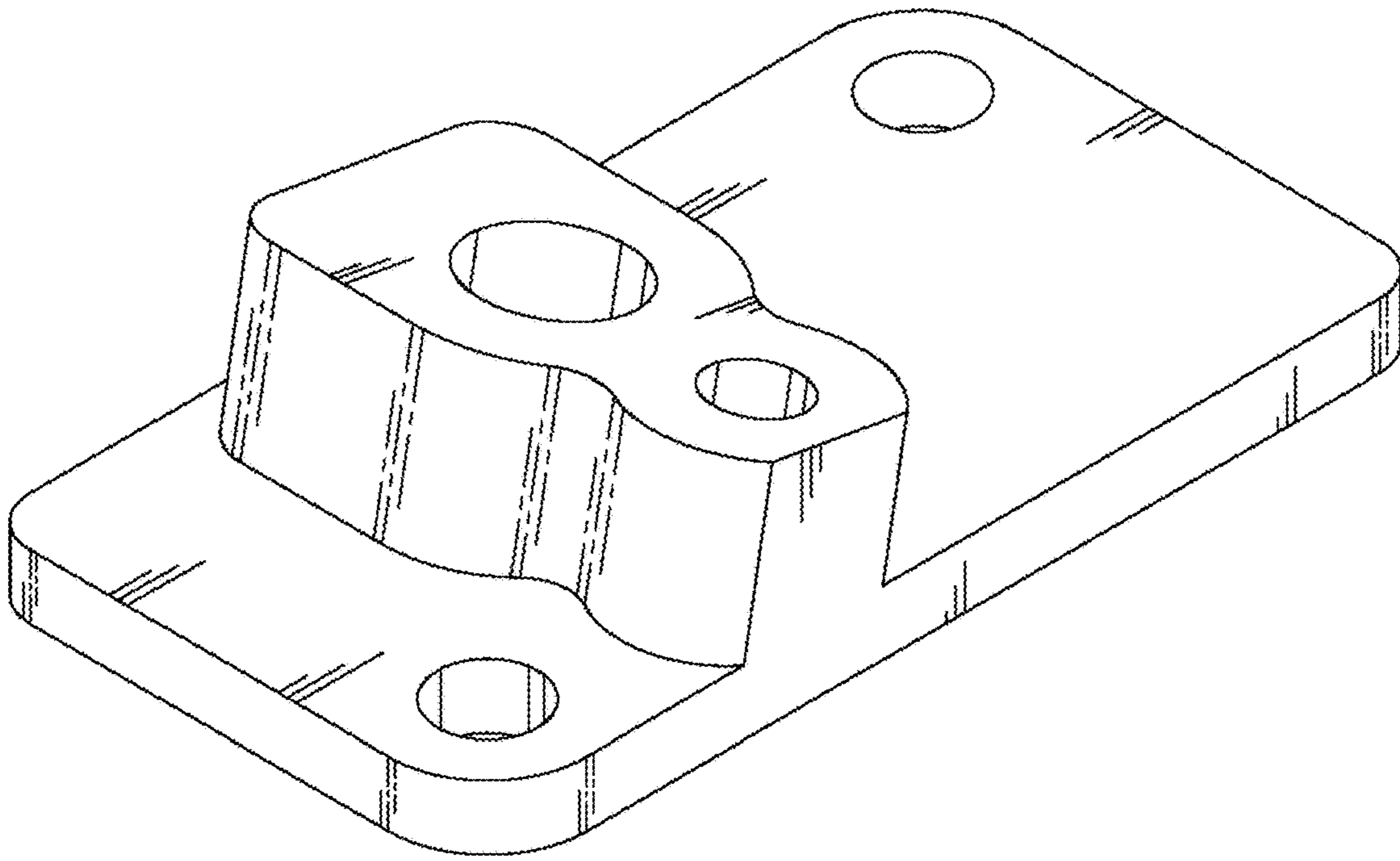


FIG. 8

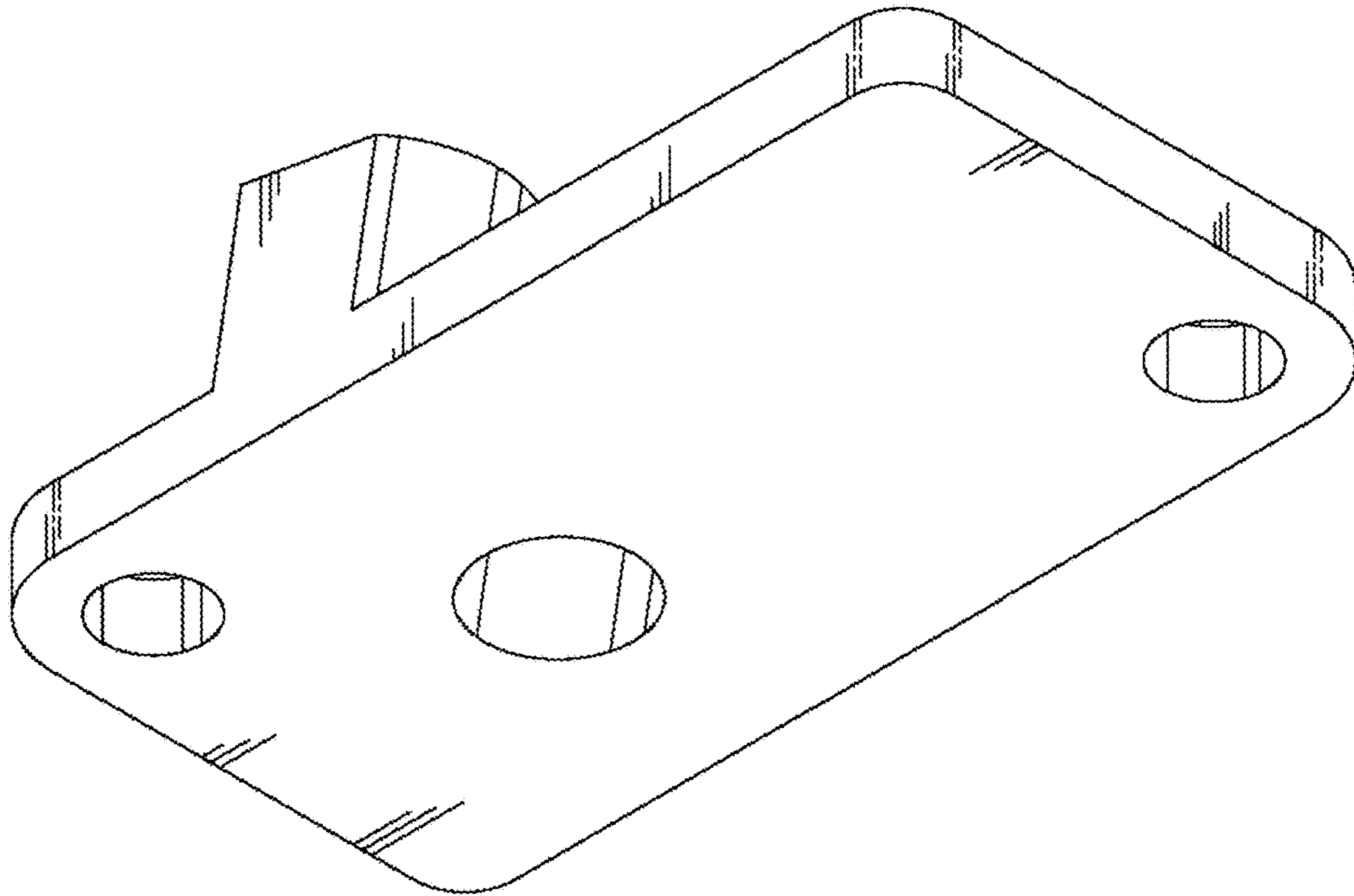


FIG. 9