

US00D924274S

(12) **United States Design Patent**  
**Hoss et al.**

(10) **Patent No.:** **US D924,274 S**

(45) **Date of Patent:** **\*\* Jul. 6, 2021**

(54) **ROTOR FOR ELECTRIC MOTORS OR GENERATORS**

(71) Applicant: **ebm-papst Mulfingen GmbH & Co. KG, Mulfingen (DE)**

(72) Inventors: **Sebastian Hoss, Bad Mergentheim (DE); Michael Sturm, Bad Mergentheim-Rot (DE)**

(73) Assignee: **ebm-papst Mulfingen GmbH & Co. KG, Mulfingen (DE)**

(\*\*) Term: **15 Years**

(21) Appl. No.: **29/653,691**

(22) Filed: **Jun. 18, 2018**

(30) **Foreign Application Priority Data**

Dec. 20, 2017 (EM) ..... 004558641-0001

(51) **LOC (13) Cl.** ..... **15-01**

(52) **U.S. Cl.**  
USPC ..... **D15/5; D13/112**

(58) **Field of Classification Search**  
USPC ..... D15/5; D13/112; D23/411  
CPC ..... F16D 65/02; H02K 1/10; H02K 1/2786;  
H02K 12/02; H02K 5/06  
See application file for complete search history.

(56) **References Cited**

**U.S. PATENT DOCUMENTS**

- D160,413 S \* 10/1950 Monroe ..... D13/112
- D187,791 S \* 5/1960 Dunn ..... D13/112
- 3,016,269 A \* 1/1962 De Lorean ..... F16D 65/10  
301/6.3
- D199,306 S \* 10/1964 Troy ..... D12/180
- D200,102 S \* 1/1965 Dexter ..... D12/212
- D240,461 S \* 7/1976 Lechlitter ..... D15/5

- D245,499 S \* 8/1977 Andreas ..... D13/112
- D322,075 S \* 12/1991 Jennings ..... D15/5
- D401,553 S \* 11/1998 Pearce ..... D13/112
- D406,148 S \* 2/1999 Cirincione ..... D15/5
- D448,841 S \* 10/2001 Campbell ..... D23/411
- D505,720 S \* 5/2005 Hsieh ..... D23/411
- D526,332 S \* 8/2006 McCurdy, Jr. .... D15/5
- D619,620 S \* 7/2010 Mayer ..... D15/5
- D731,555 S \* 6/2015 Lee ..... D15/5
- D771,796 S \* 11/2016 Wang ..... D23/377
- D773,995 S \* 12/2016 Jabaji ..... D13/112
- D777,626 S \* 1/2017 Lv ..... D12/179
- D784,221 S \* 4/2017 Lv ..... D12/180
- D786,794 S \* 5/2017 McCormick ..... D13/112
- D791,078 S \* 7/2017 Sturm ..... D13/112
- D806,650 S \* 1/2018 Chang ..... D13/112
- 10,447,100 B2 \* 10/2019 Matsuda ..... H02K 1/2786
- D868,956 S \* 12/2019 Guthrie ..... D23/411
- D876,610 S \* 2/2020 Holmes ..... D23/411
- 2002/0153211 A1 \* 10/2002 Brotherton ..... F16D 65/10  
188/218 R

(Continued)

*Primary Examiner* — Sheryl Lane

*Assistant Examiner* — Mark T. Philipps

(74) *Attorney, Agent, or Firm* — Harness, Dickey & Pierce, P.L.C.

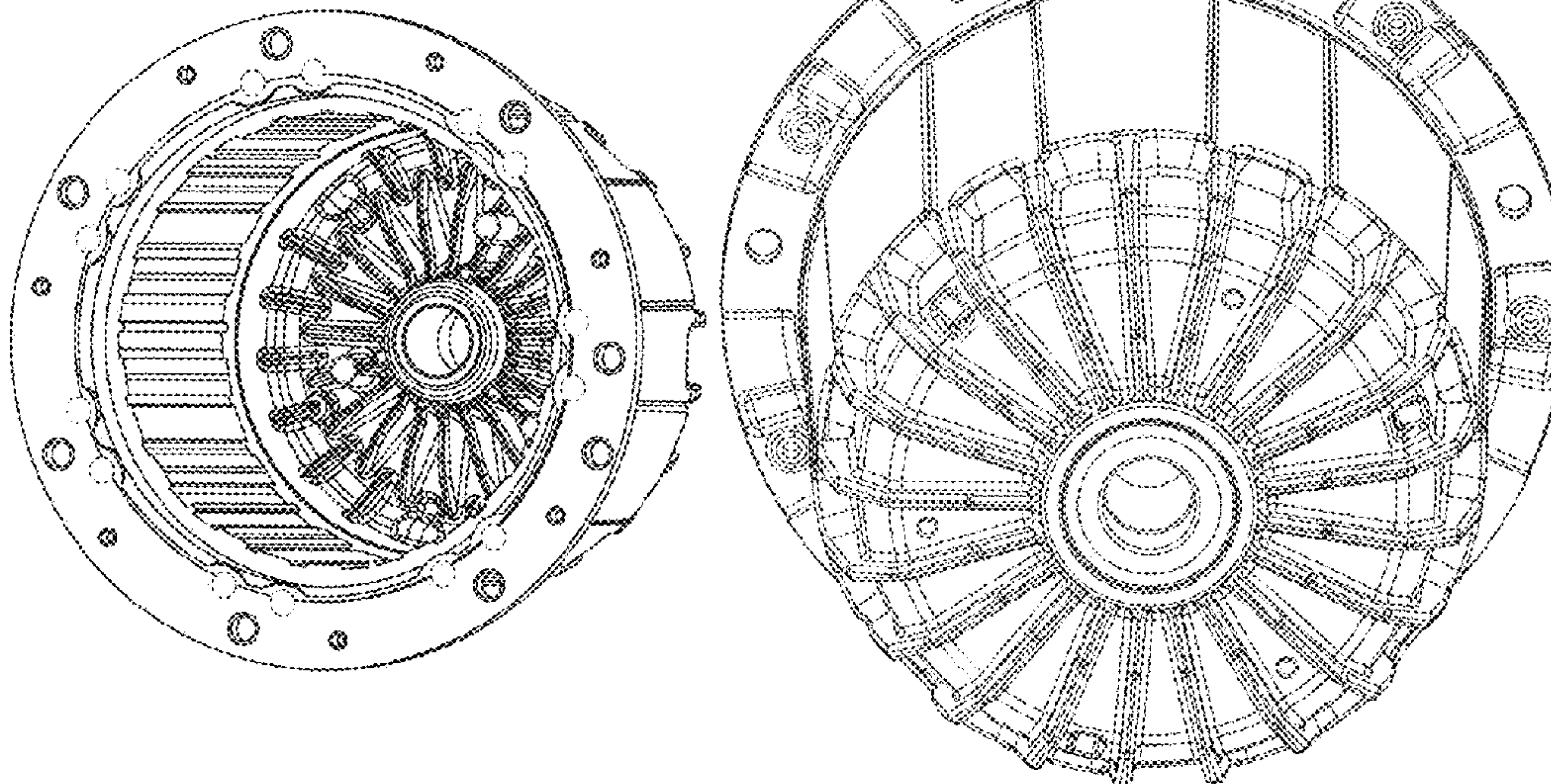
(57) **CLAIM**

The ornamental design for a rotor for electric motors or generators, as shown and described.

**DESCRIPTION**

FIG. 1 is a front perspective view of a new design for a rotor for electric motors or generators;  
FIG. 2 is a front plan view thereof;  
FIG. 3 is a left side view thereof;  
FIG. 4 is a rear plan view thereof; and,  
FIG. 5 is a rear perspective view thereof.  
The broken lines depict portions of the article and form no part of the claimed design.

**1 Claim, 5 Drawing Sheets**



(56)

**References Cited**

U.S. PATENT DOCUMENTS

2008/0308364 A1\* 12/2008 Huang ..... F16D 65/0006  
188/218 R  
2009/0079281 A1\* 3/2009 Best ..... H02K 5/225  
310/71  
2015/0083532 A1\* 3/2015 Bordere ..... F16D 65/10  
188/218 R  
2015/0349595 A1\* 12/2015 Jiang ..... H02K 5/20  
310/43  
2016/0017947 A1\* 1/2016 Fakhoury ..... F16D 65/827  
188/218 R  
2016/0319892 A1\* 11/2016 Pu ..... F16D 65/10  
2017/0089414 A1\* 3/2017 Drake ..... F16D 65/10

\* cited by examiner



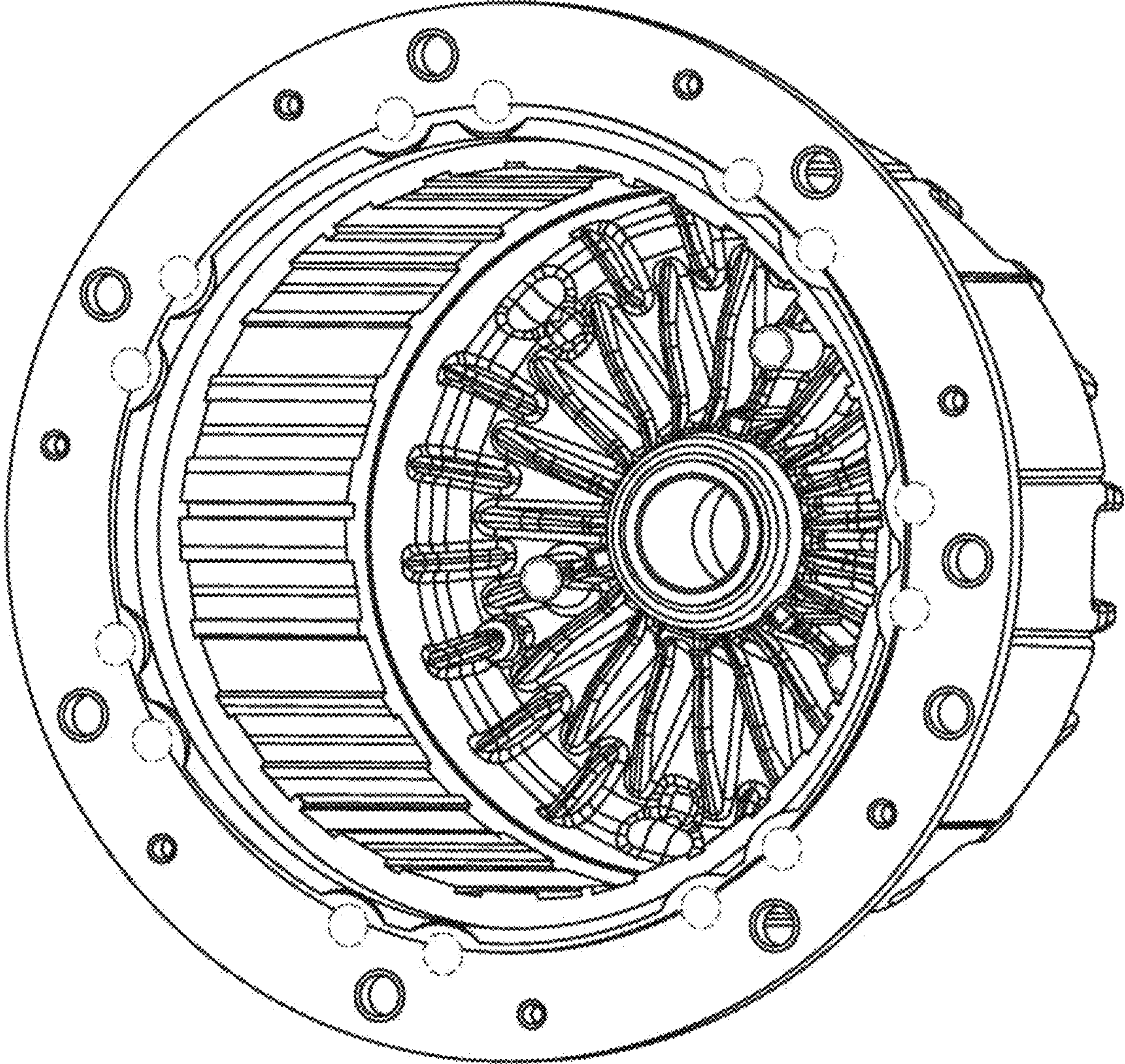


FIG. 1



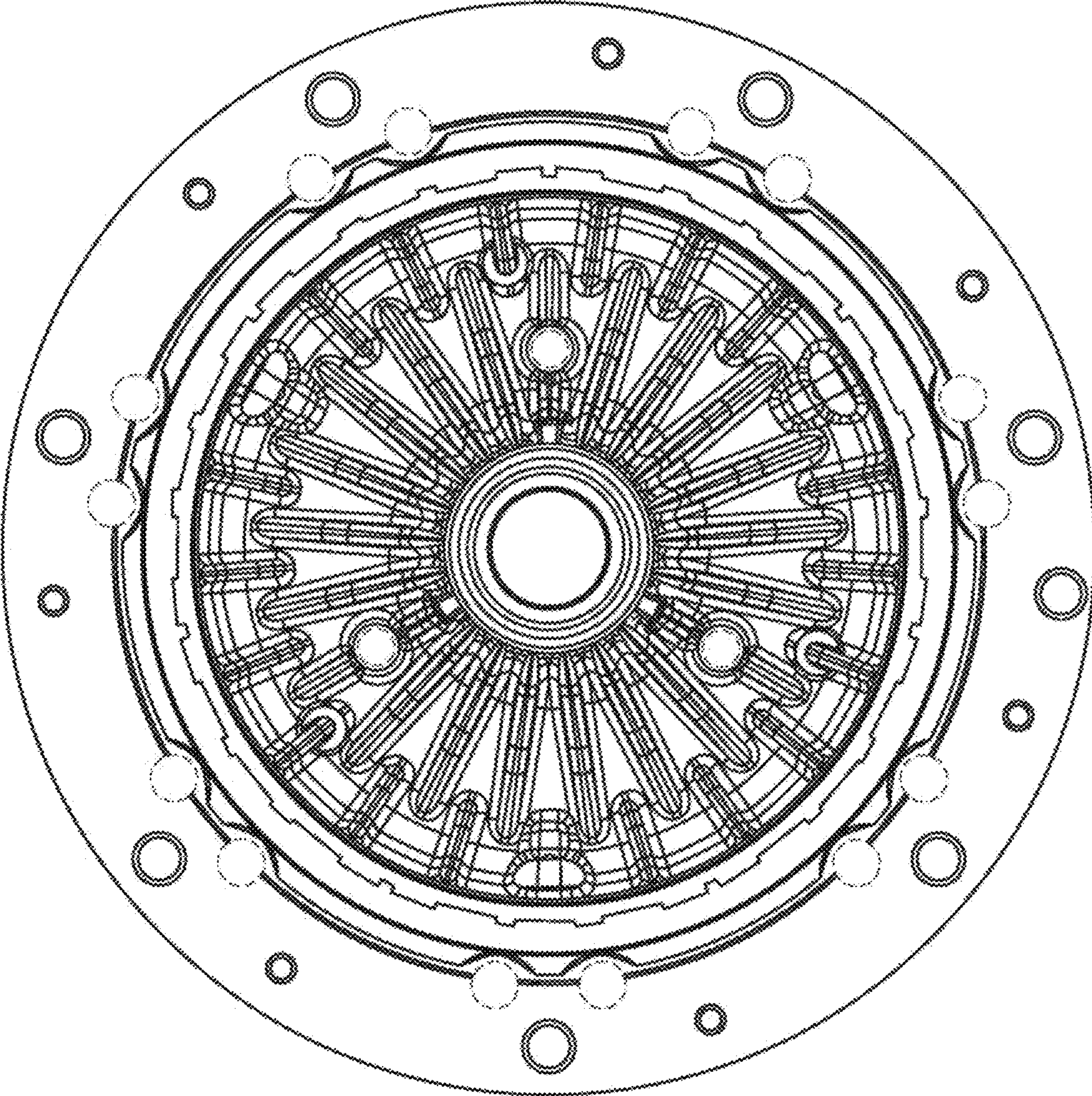


FIG. 2



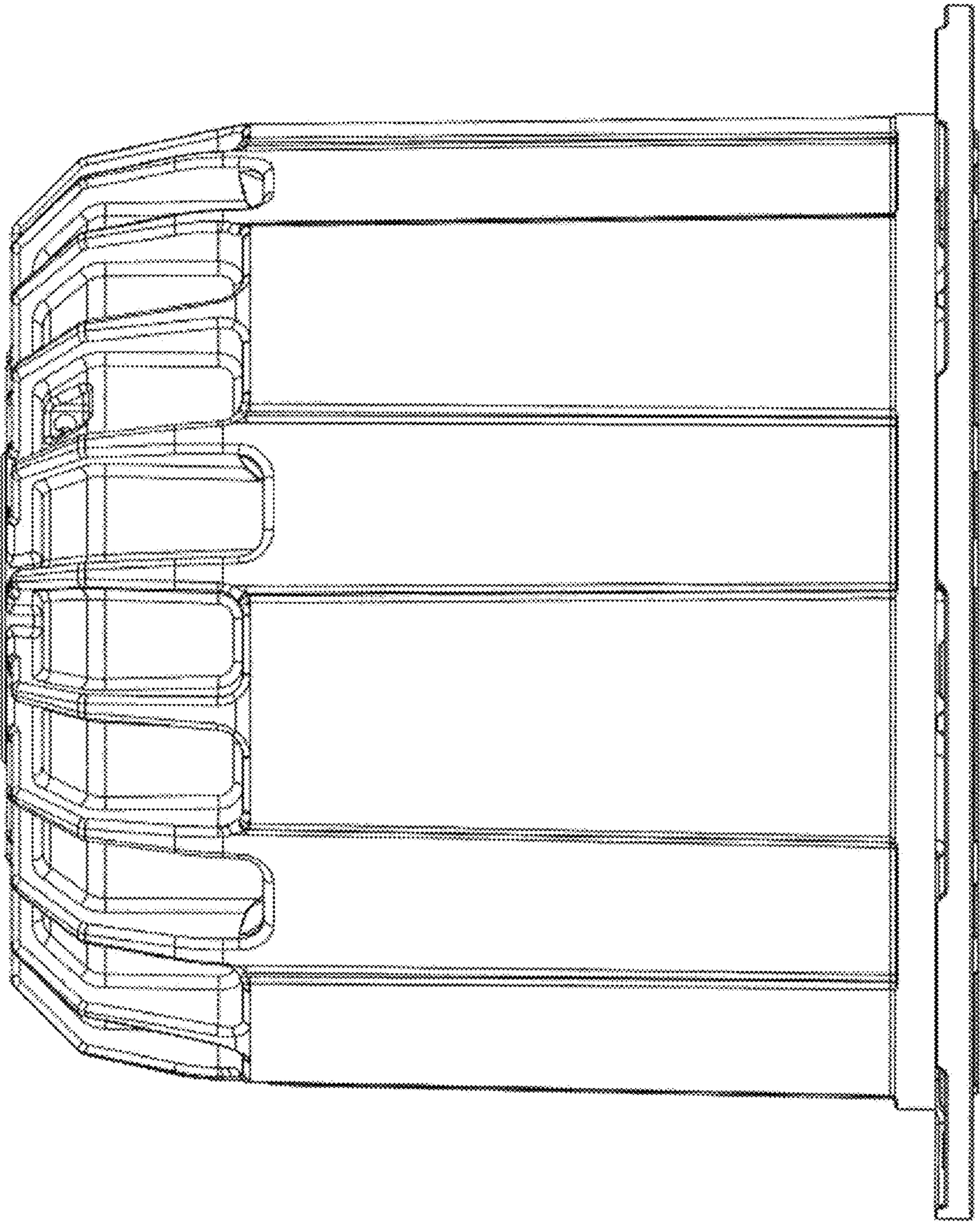


FIG. 3



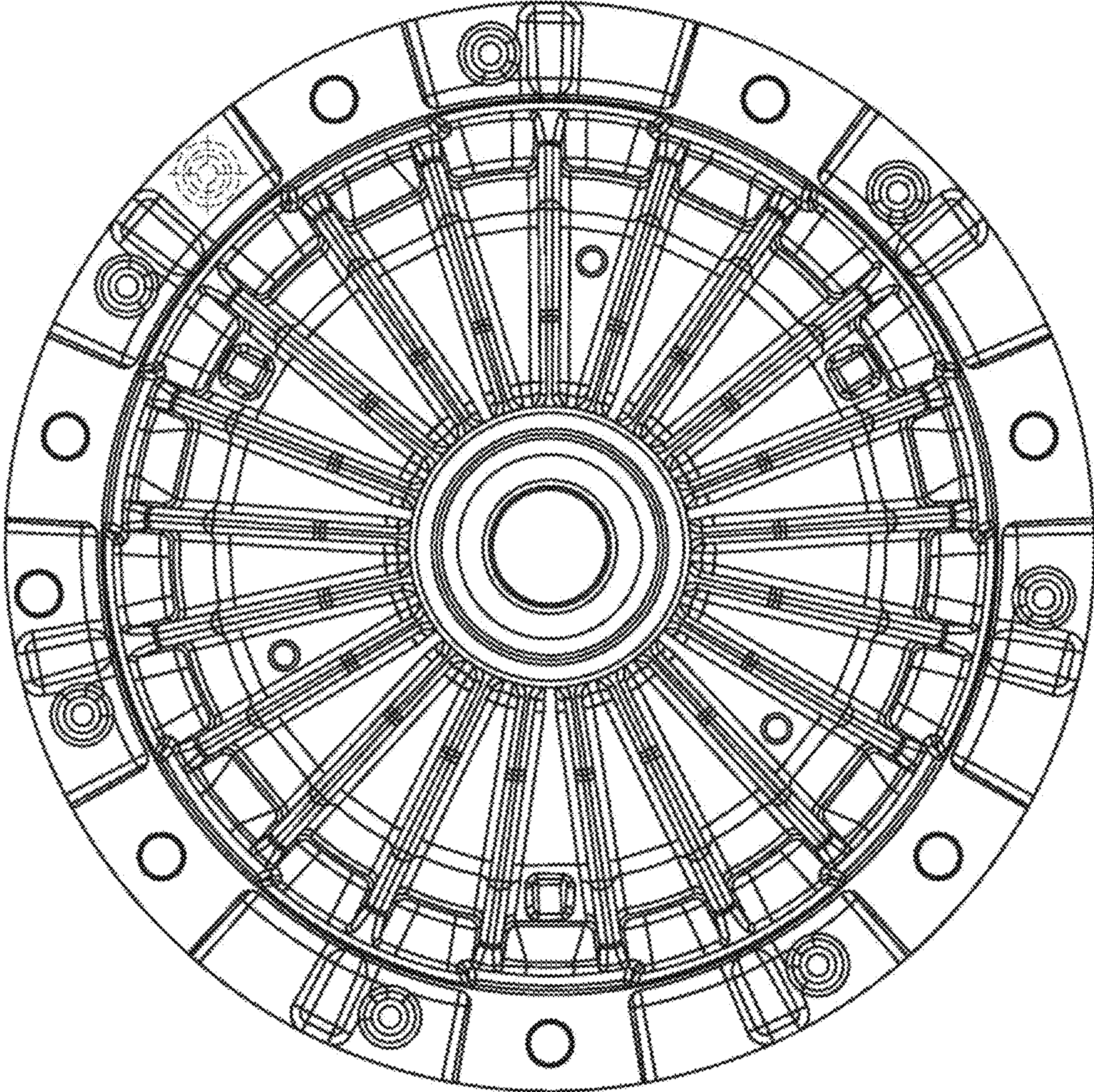


FIG. 4



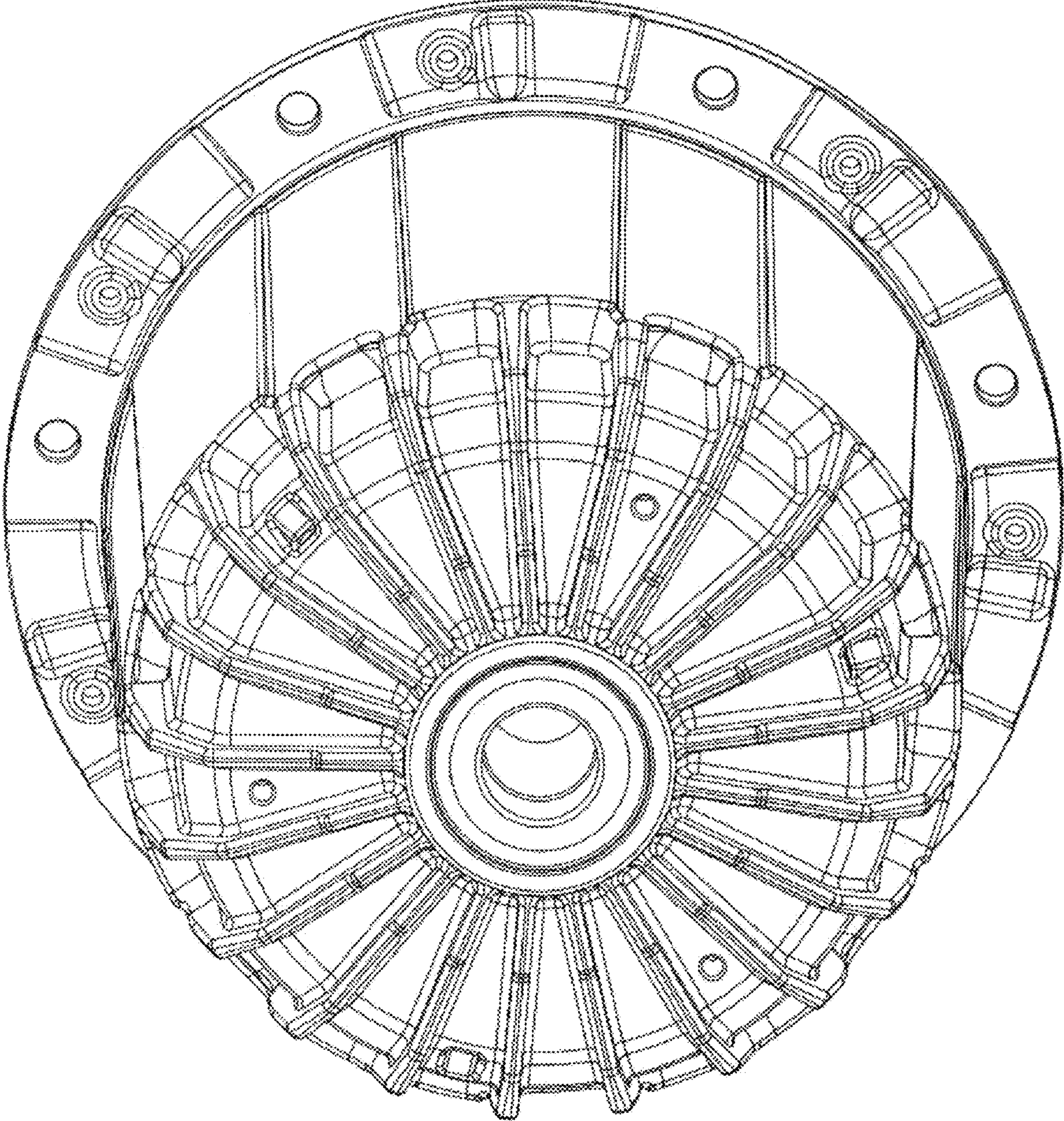


FIG. 5