



US00D924272S

(12) **United States Design Patent**
Lien

(10) **Patent No.:** **US D924,272 S**

(45) **Date of Patent:** **** Jul. 6, 2021**

(54) **ENGINE**

(71) Applicant: **Black & Decker Inc.**, New Britain, CT
(US)

(72) Inventor: **Liu Chao Lien**, Taichung (TW)

(73) Assignee: **BLACK & DECKER INC.**, New
Britain, CT (US)

(**) Term: **15 Years**

(21) Appl. No.: **29/629,799**

(22) Filed: **Dec. 15, 2017**

(51) **LOC (13) Cl.** **15-01**

(52) **U.S. Cl.**
USPC **D15/1**

(58) **Field of Classification Search**
USPC D12/107, 114, 115, 117, 126, 179, 182,
D12/223; D15/1-9, 9.1, 9.2, 10, 14, 17;
D23/364, 365

CPC F02C 7/052; F02M 35/02; F02M 35/024;
F02B 1/00; F02B 1/04; F02B 41/06;
F02B 63/02; Y02T 10/16

See application file for complete search history.

(56) **References Cited**

U.S. PATENT DOCUMENTS

D605,661 S * 12/2009 Koehl D15/1
D624,091 S * 9/2010 Yuasa D15/1
D628,597 S * 12/2010 Dai D15/1
D635,585 S * 4/2011 Harmelink D15/1
D638,444 S * 5/2011 He D15/1

D689,522 S * 9/2013 Johnson D15/1
D700,620 S * 3/2014 Aruga D15/1
D751,118 S * 3/2016 Suzuki D15/1
D796,553 S * 9/2017 Tinius D15/1
D823,896 S * 7/2018 Yamamoto D15/1
D829,769 S * 10/2018 Tiefenthaler D15/5
D836,136 S * 12/2018 Tiefenthaler D15/5
D847,860 S * 5/2019 Kawabuchi D15/1
D849,795 S * 5/2019 Taniguchi D15/1

* cited by examiner

Primary Examiner — Michael C Stout

Assistant Examiner — Fritzgerald L Butac

(74) *Attorney, Agent, or Firm* — Adan Ayala

(57) **CLAIM**

The ornamental design for an engine, as shown and described.

DESCRIPTION

FIG. 1 is a front perspective view of an engine according the invention.

FIG. 2 is a front view of the engine of FIG. 1.

FIG. 3 is a rear view of the engine of FIG. 1.

FIG. 4 is a left side view of the engine of FIG. 1.

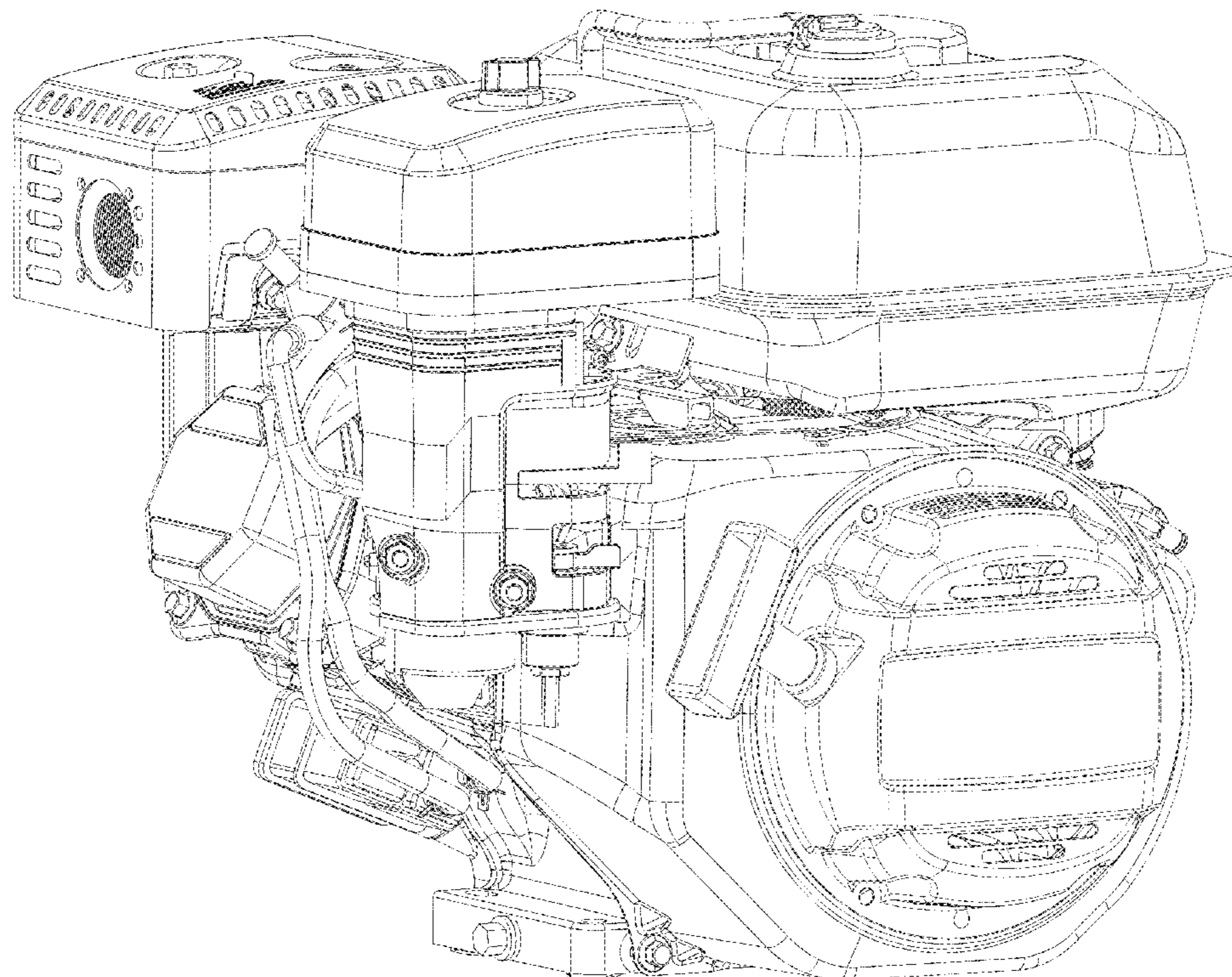
FIG. 5 is a right side view of the engine of FIG. 1.

FIG. 6 is a top plan view of the engine of FIG. 1; and,

FIG. 7 is a bottom plan view of the engine of FIG. 1.

The broken lines illustrate portions of the engine and form no part of the claimed design.

1 Claim, 7 Drawing Sheets



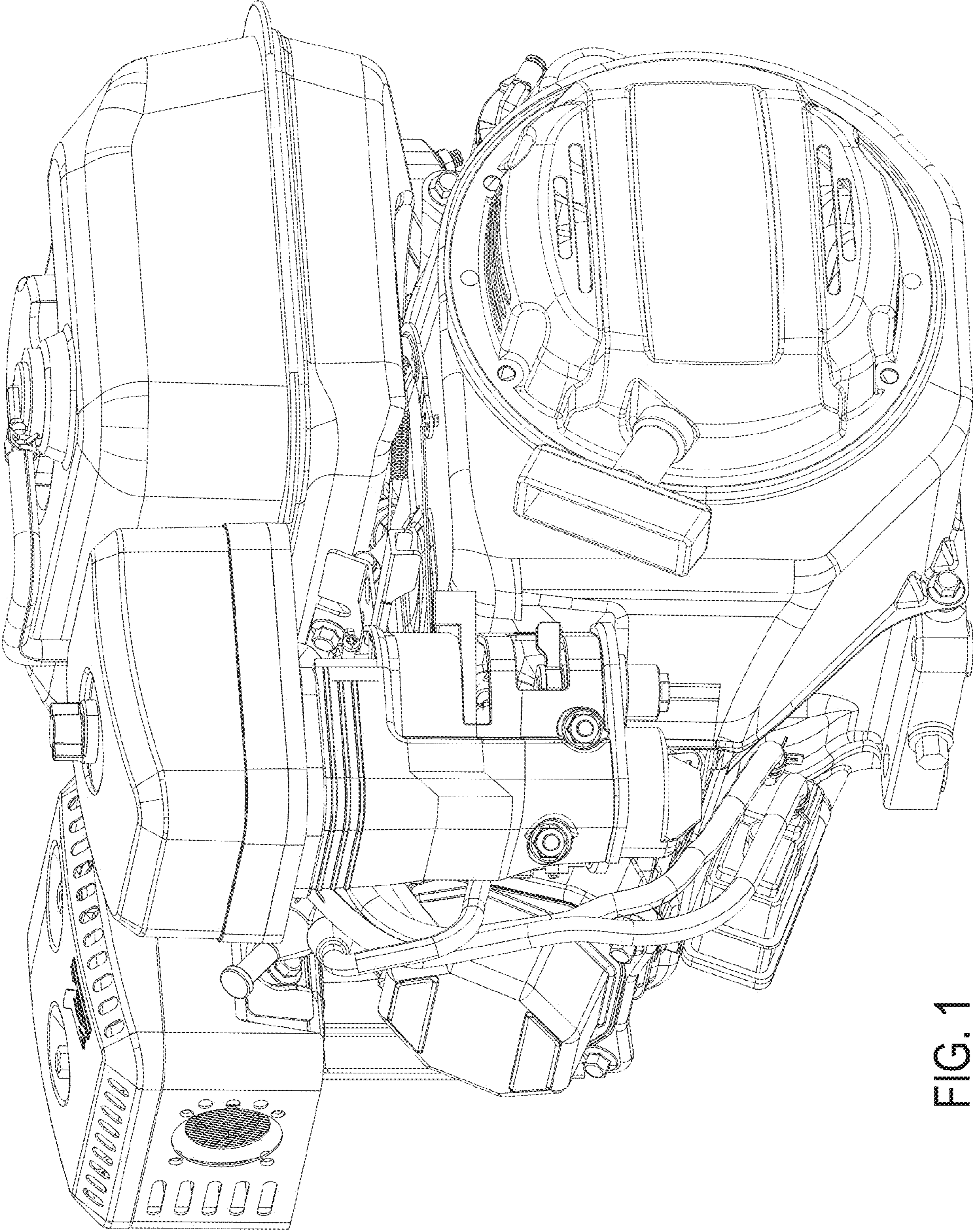


FIG. 1

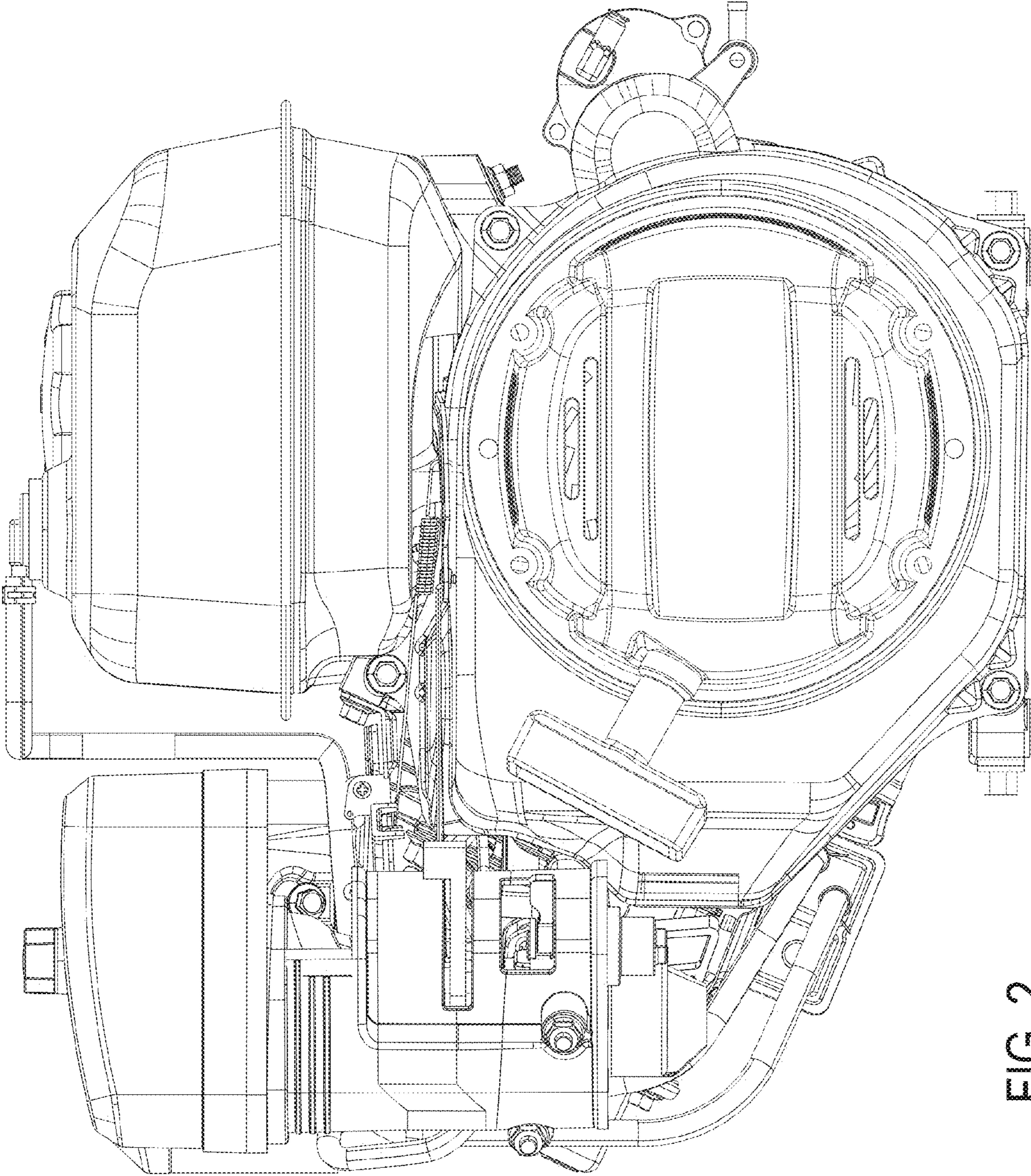


FIG. 2

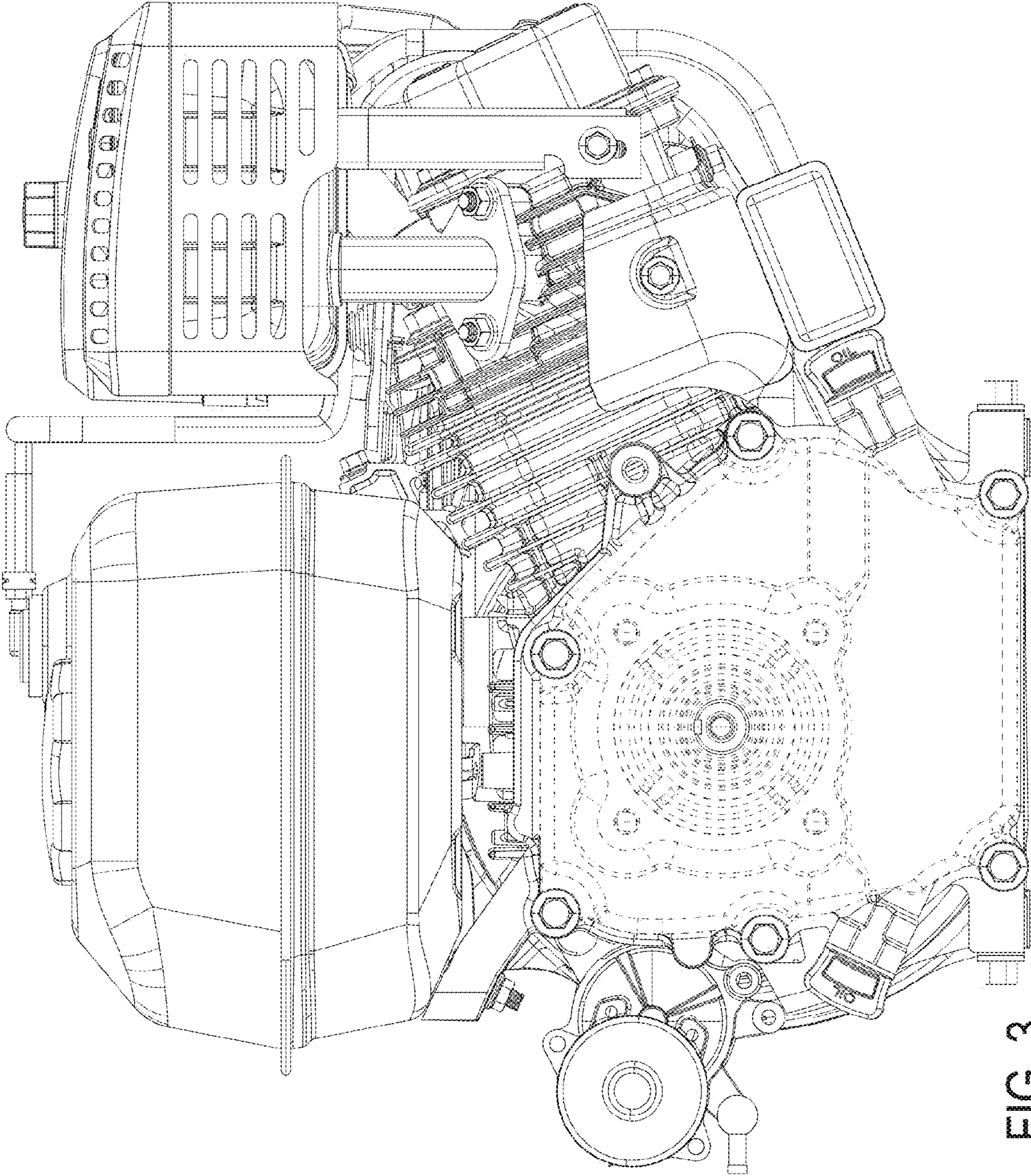


FIG. 3

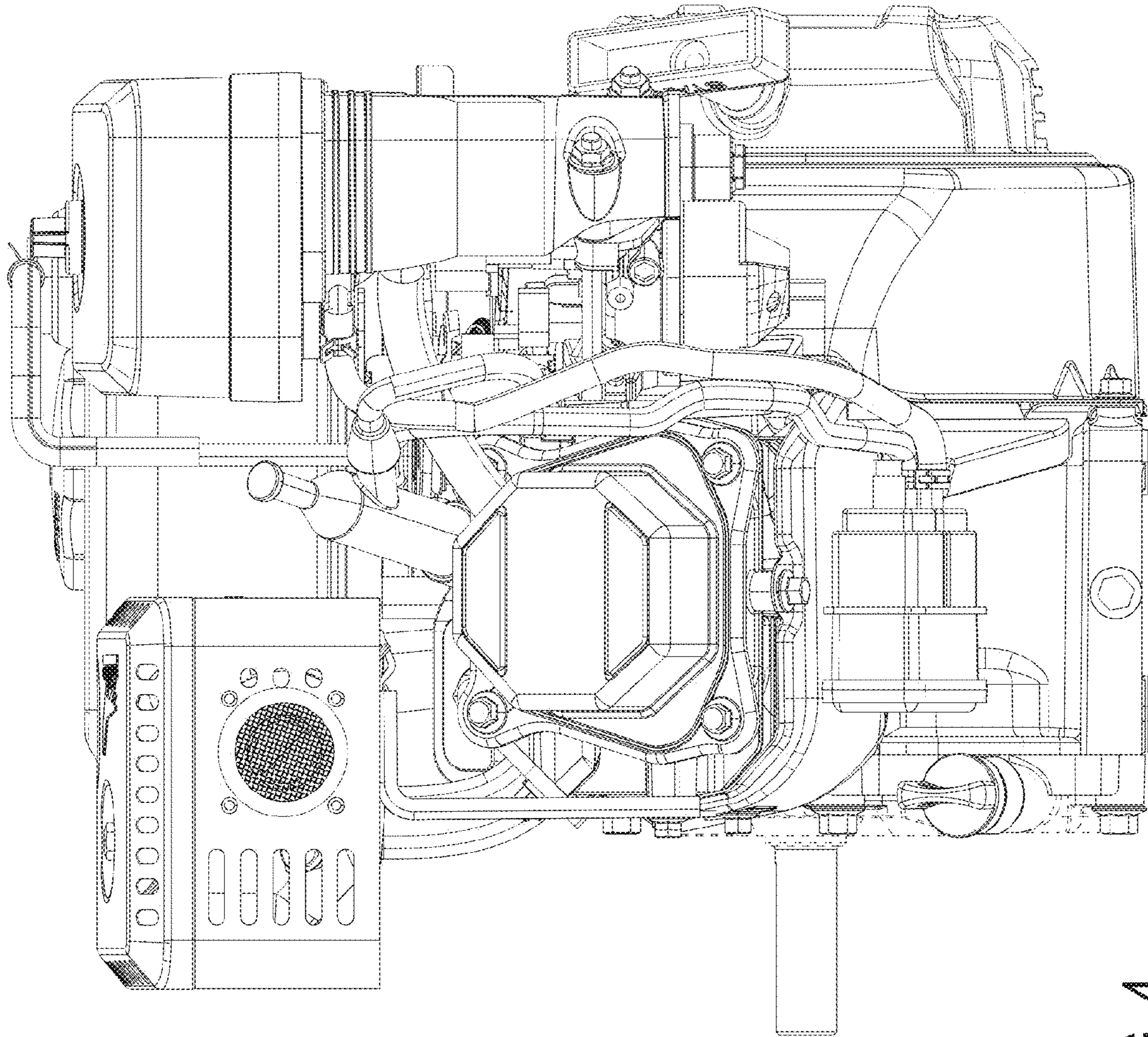


FIG. 4

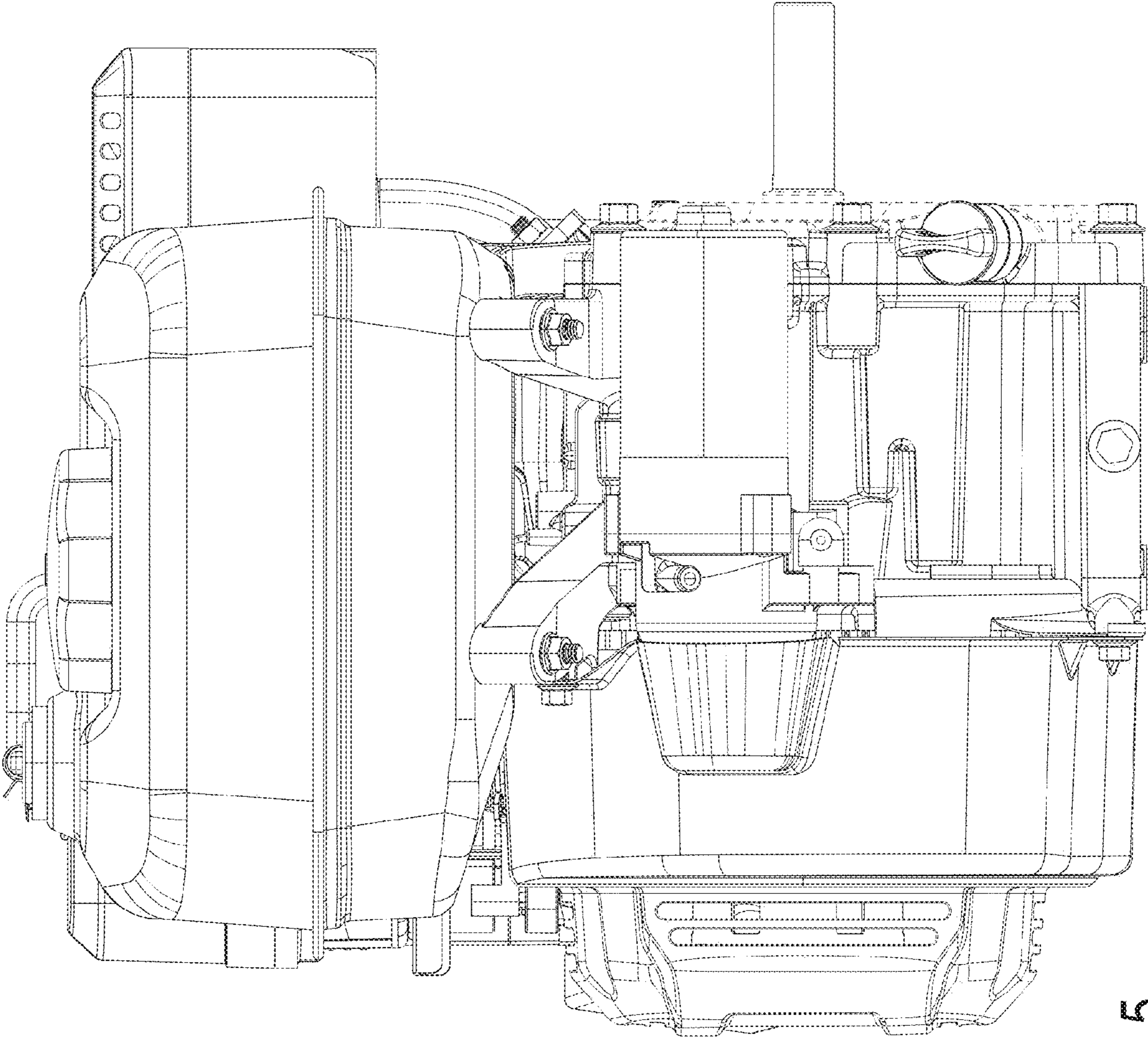


FIG. 5

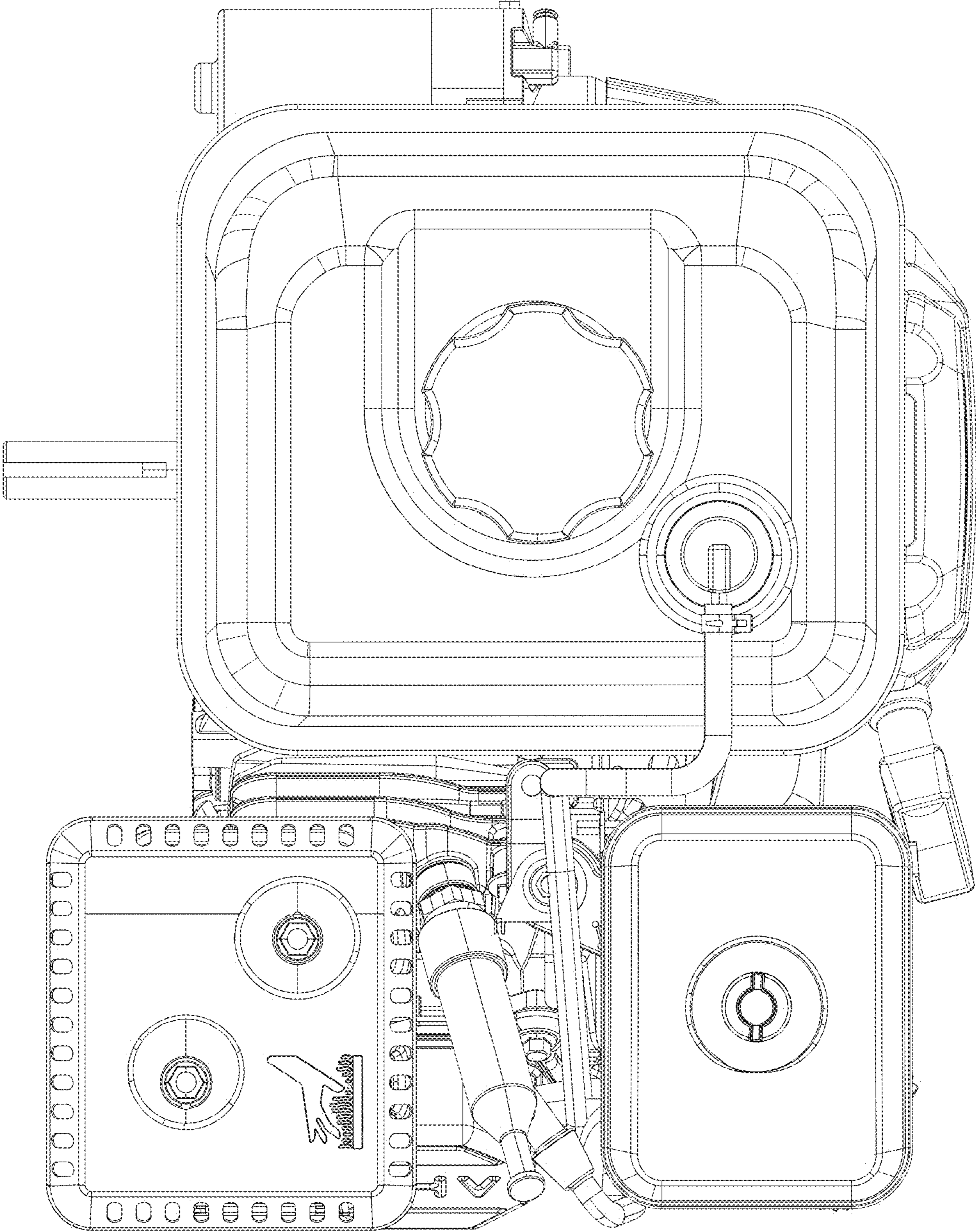


FIG. 6

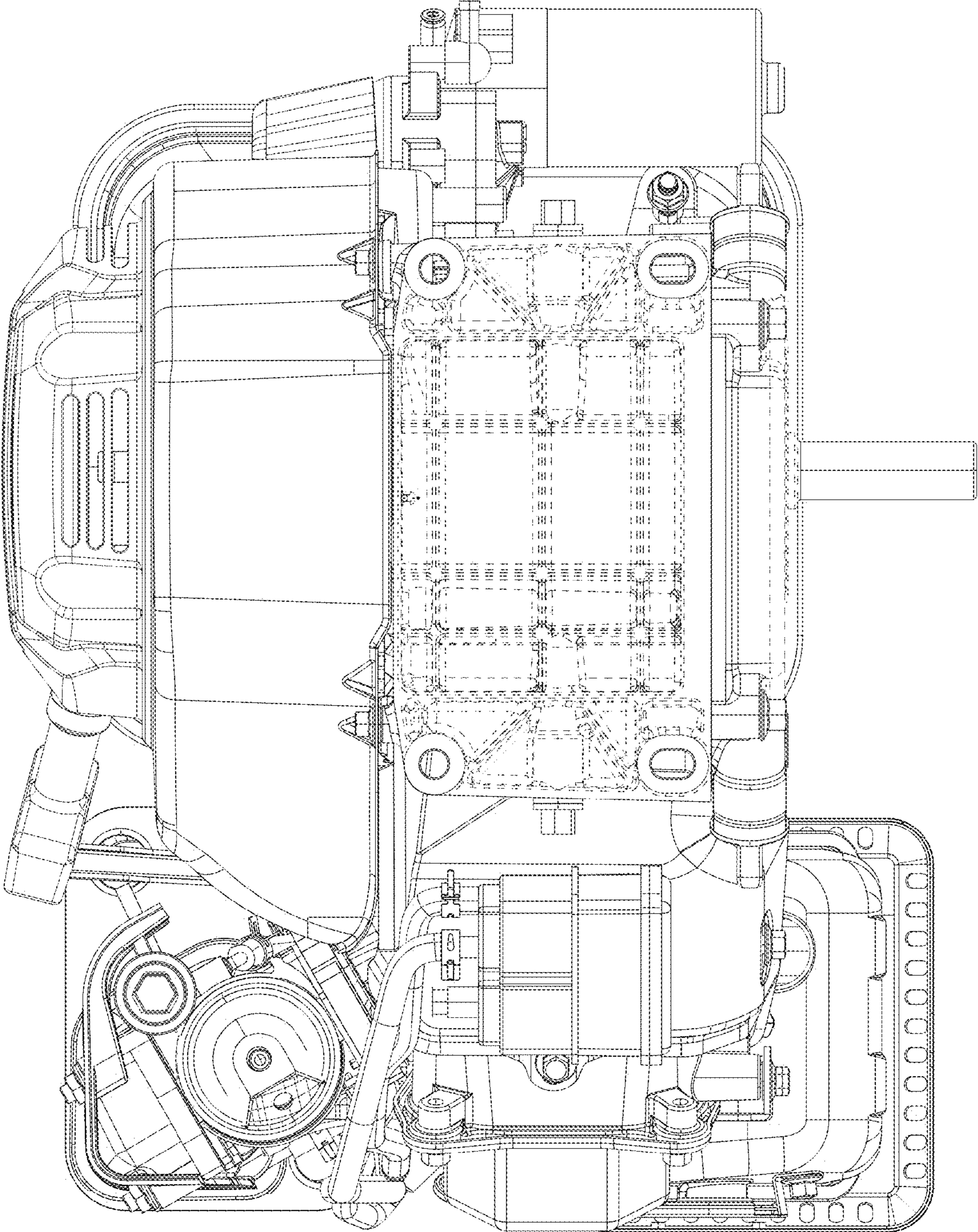


FIG. 7