



US00D924254S

(12) **United States Design Patent** (10) **Patent No.:** **US D924,254 S**  
**Sahu et al.** (45) **Date of Patent:** **\*\* Jul. 6, 2021**

(54) **COMPUTER SCREEN WITH ANIMATED GRAPHICAL USER INTERFACE**

*Primary Examiner* — Jack Reickel  
(74) *Attorney, Agent, or Firm* — Hayes Soloway P.C.

(71) Applicant: **TATA CONSULTANCY SERVICES LIMITED**, Mumbai (IN)

(72) Inventors: **Swetaleena Sahu**, Bengaluru (IN); **Annie Thomas**, Bengaluru (IN); **Sathish Vallat**, Bengaluru (IN); **Nitin Kumar**, Bengaluru (IN)

(73) Assignee: **TATA CONSULTANCY SERVICES LIMITED**

(\*) Notice: This patent is subject to a terminal disclaimer.

(\*\*) Term: **15 Years**

(21) Appl. No.: **29/693,694**

(22) Filed: **Jun. 4, 2019**

(51) **LOC (13) Cl.** ..... **14-04**

(52) **U.S. Cl.**  
USPC ..... **D14/485**

(58) **Field of Classification Search**  
USPC ..... D14/485–495

(Continued)

(56) **References Cited**

**U.S. PATENT DOCUMENTS**

D669,497 S \* 10/2012 Lee ..... D14/489  
D709,917 S \* 7/2014 Faulkner ..... D14/494

(Continued)

**OTHER PUBLICATIONS**

“Top 15 Seekbar and Slider Github UI Libraries and Components [Java, Swift, Kotlin]” Jun. 5, 2018, UXPlanet, site visited Nov. 18, 2020: <https://uxplanet.org/top-15-seekbar-and-slider-github-ui-libraries-and-components-java-swift-kotlin-d0f6a9658be3> (Year: 2018).\*

(Continued)

(57) **CLAIM**

We claim the ornamental design for a computer screen with animated graphical user interface, as shown and described.

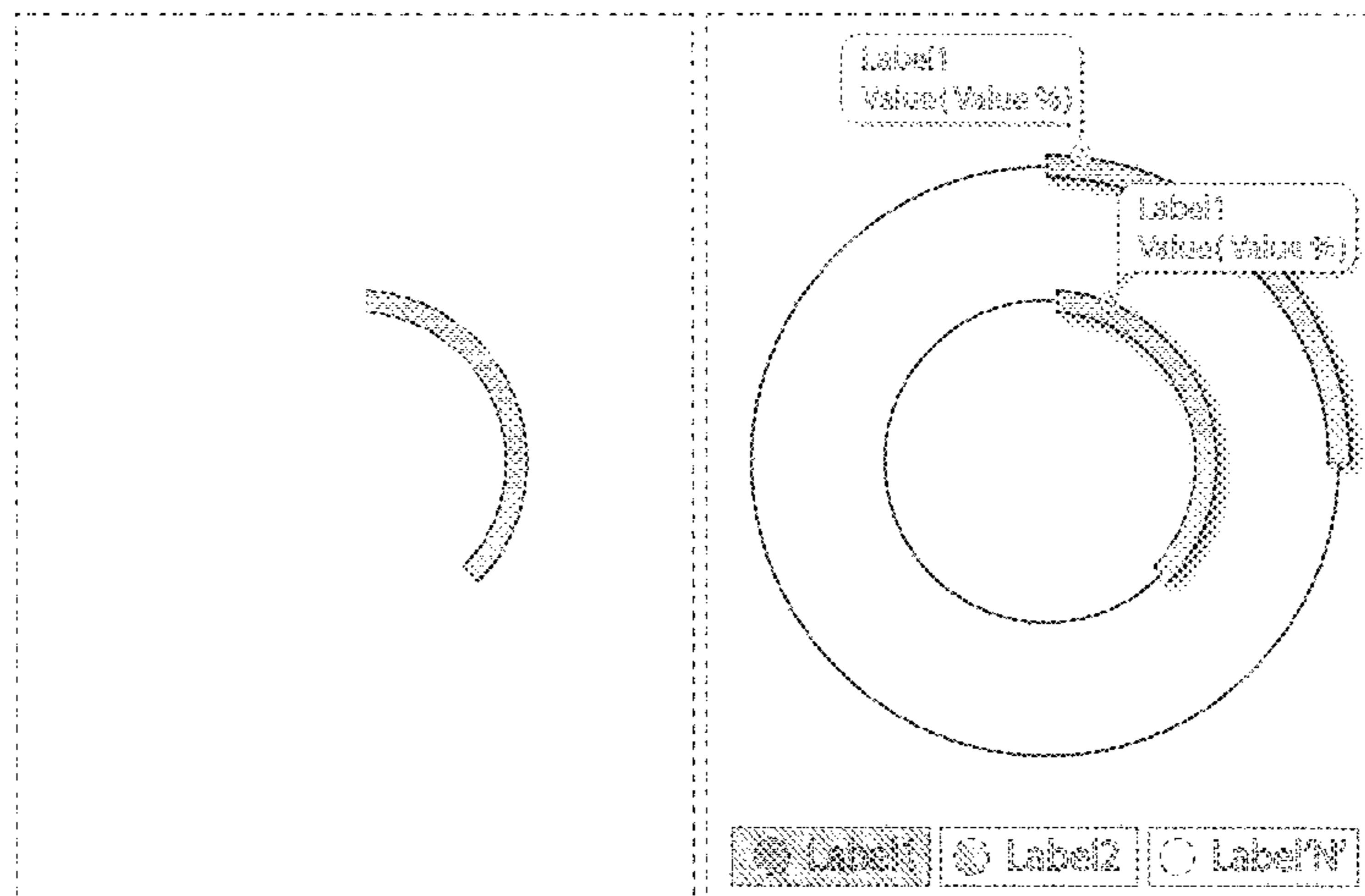
**DESCRIPTION**

FIG. 1 is a front view of a computer screen with animated graphical user interface showing a first image in a sequence; FIG. 2 is a front view of a second image thereof; FIG. 3 is a front view of a third image thereof; FIG. 4 is a front view of a fourth image thereof; FIG. 5 is a front view of a fifth image thereof; FIG. 6 is a front view of a sixth image thereof; FIG. 7 is a front view of a seventh image thereof; FIG. 8 is a front view of an eighth image thereof; FIG. 9 is a front view of a ninth image thereof; FIG. 10 is a front view of a tenth image thereof; FIG. 11 is a front view of an eleventh image thereof; FIG. 12 is a front view of a twelfth image thereof; FIG. 13 is a front view of a thirteenth image thereof; FIG. 14 is a front view of a fourteenth image thereof; FIG. 15 is a front view of a fifteenth image thereof; FIG. 16 is a front view of a sixteenth image thereof; FIG. 17 is a front view of a seventeenth image thereof; FIG. 18 is a front view of an eighteenth image thereof; and, FIG. 19 is a front view of a nineteenth image thereof.

The figures are a front view of a computer screen with an animated graphical user interface. The dashed broken line perimeter is included for the purpose of illustrating a computer screen and forms no part of the claimed design. The dashed and square-dotted broken line indicia is included for the purpose of illustrating an animated graphical user interface and forms no part of the claimed design.

The dashed hatching, dotted hatching, and tonal shading are included for the purpose of illustrating a contrast in appearance and form a part of the claimed design.

(Continued)



The appearance of the image transitions sequentially between the images shown in FIGS. 1-19. The process or period in which an image transitions to another forms no part of the claimed design.

**1 Claim, 19 Drawing Sheets**

(58) **Field of Classification Search**

CPC .... G06F 3/048; G06F 3/0481; G06F 3/04817;  
G06F 3/0482; G06F 3/0483; G06F  
3/04842; G06F 3/0485; G06F 3/04855;  
G06F 3/0486; G06F 3/0488; G06F  
3/04886; G06F 9/4443; G06F 17/211;  
G06F 17/212

See application file for complete search history.

(56) **References Cited**

U.S. PATENT DOCUMENTS

D716,325 S \* 10/2014 Brudnicki ..... D14/486  
D739,872 S \* 9/2015 Bang ..... D14/488  
D741,898 S \* 10/2015 Soegiono ..... D14/488  
D750,125 S \* 2/2016 Yang ..... D14/488  
D760,790 S \* 7/2016 Ishii ..... G06F 3/04817  
D14/494  
D760,792 S \* 7/2016 Liu ..... G06F 3/04817  
D14/494  
D762,716 S \* 8/2016 Yang ..... D14/489  
D763,910 S \* 8/2016 Drozd ..... D14/489  
D765,091 S \* 8/2016 Del Lima ..... D14/485  
D765,718 S \* 9/2016 Vinna ..... D14/488  
D768,673 S \* 10/2016 Kim ..... D14/486  
D772,935 S \* 11/2016 Gauci ..... D14/490  
D781,327 S \* 3/2017 Conze ..... D14/486

D781,876 S \* 3/2017 Wang ..... D14/485  
D781,878 S \* 3/2017 Butcher ..... D14/485  
D784,390 S \* 4/2017 Dye ..... D14/486  
D788,122 S \* 5/2017 Tada ..... D14/485  
D791,806 S \* 7/2017 Brewington ..... D14/486  
D800,164 S \* 10/2017 Tsukahara ..... D14/492  
D802,008 S \* 11/2017 Zhang ..... D14/487  
D803,233 S \* 11/2017 Wilberding ..... D14/485  
D803,242 S \* 11/2017 Mizono ..... H04L 12/2807  
D14/486  
D803,247 S \* 11/2017 Mistry ..... D14/486  
D808,974 S \* 1/2018 Chiappone ..... D14/485  
D821,410 S \* 6/2018 Vinna ..... D14/485  
D821,443 S \* 6/2018 Jang ..... D14/489  
D823,859 S \* 7/2018 Boyd ..... D14/485  
D823,879 S \* 7/2018 Brigham ..... D14/486  
10,063,908 B2 \* 8/2018 Jain ..... G06F 1/163  
D840,415 S \* 2/2019 Yoon ..... D14/485  
D875,742 S \* 2/2020 Kang ..... D14/485  
2012/0096383 A1 \* 4/2012 Sakamoto ..... G06F 9/451  
715/772  
2015/0106726 A1 \* 4/2015 Nagasaki ..... G06F 3/0482  
715/739  
2016/0103872 A1 \* 4/2016 Prophete ..... G06Q 10/0639  
707/722

OTHER PUBLICATIONS

“A Custom Reusable Circular / Progress Slider Control for iOS Application” Dec. 3, 2018, iOSExample, site visited Nov. 18, 2020: <https://iosexample.com/a-custom-reusable-circular-progress-slider-control-for-ios-application/> (Year: 2018).\*

“Glowing Loader Ring Animation 2—Pure CSS Animation Effects” Apr. 7, 2018, YouTube, site visited Nov. 19, 2020: <https://www.youtube.com/watch?v=FS6FGdHTJYo> (Year: 2018).\*

\* cited by examiner

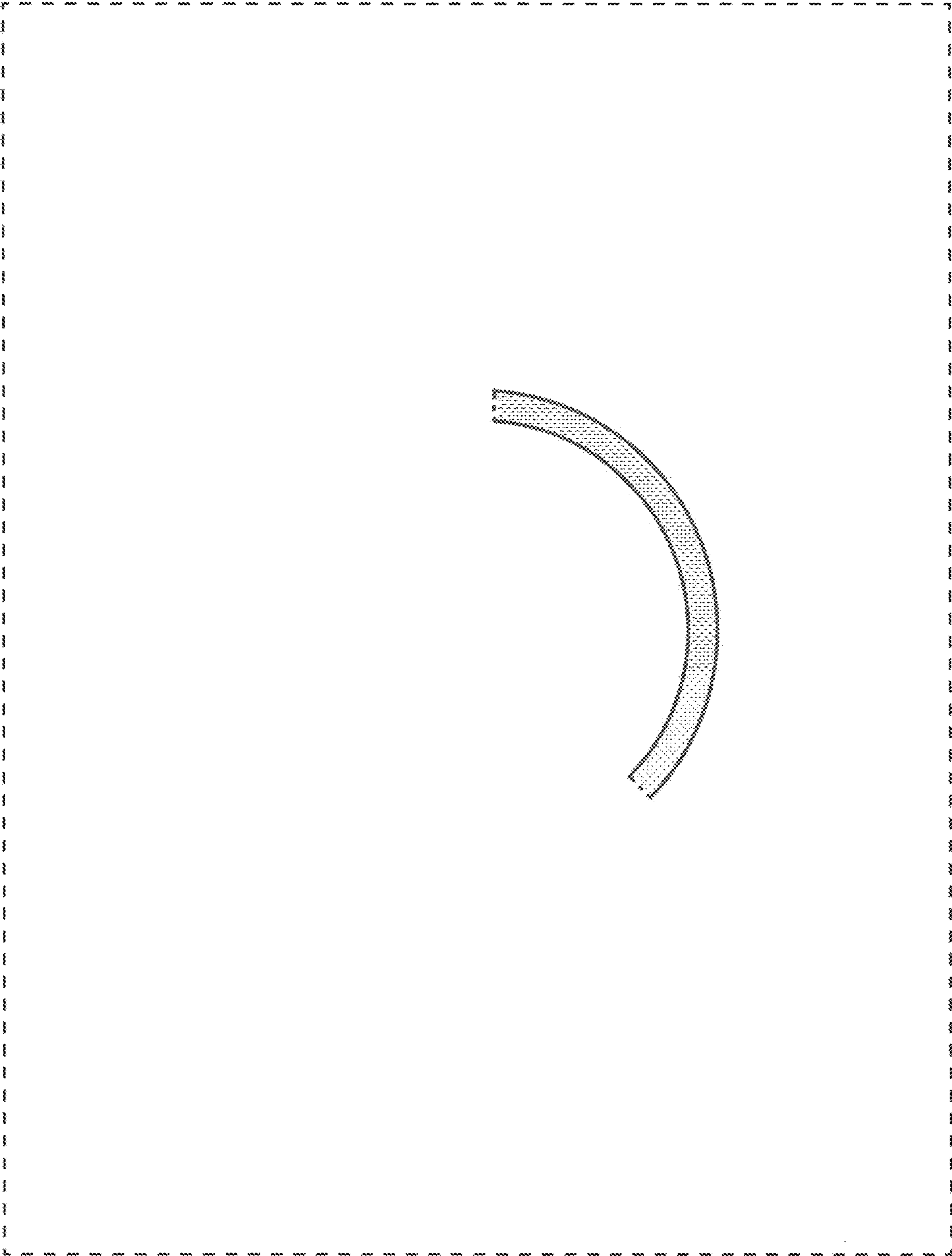


FIG. 1

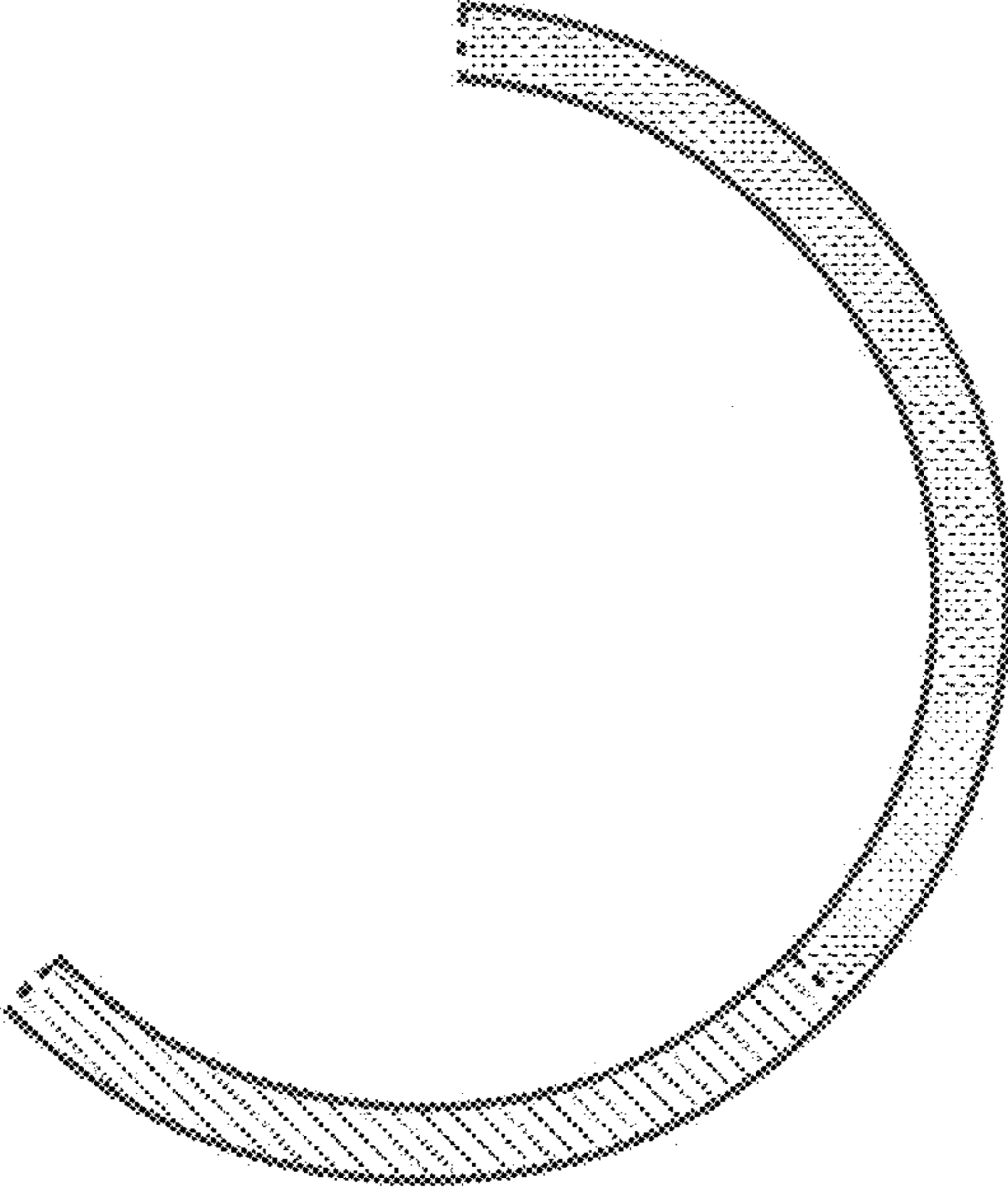
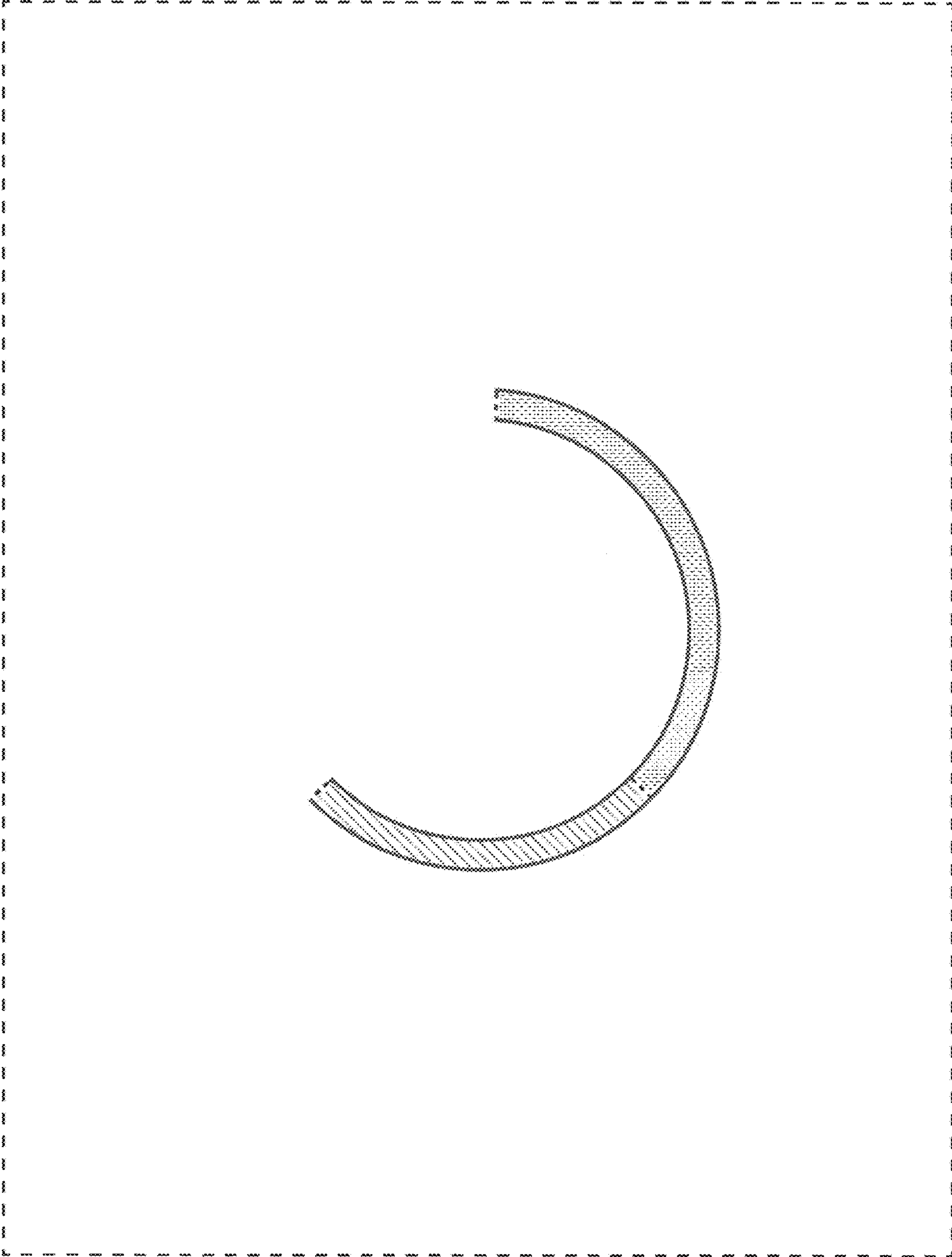


FIG. 2

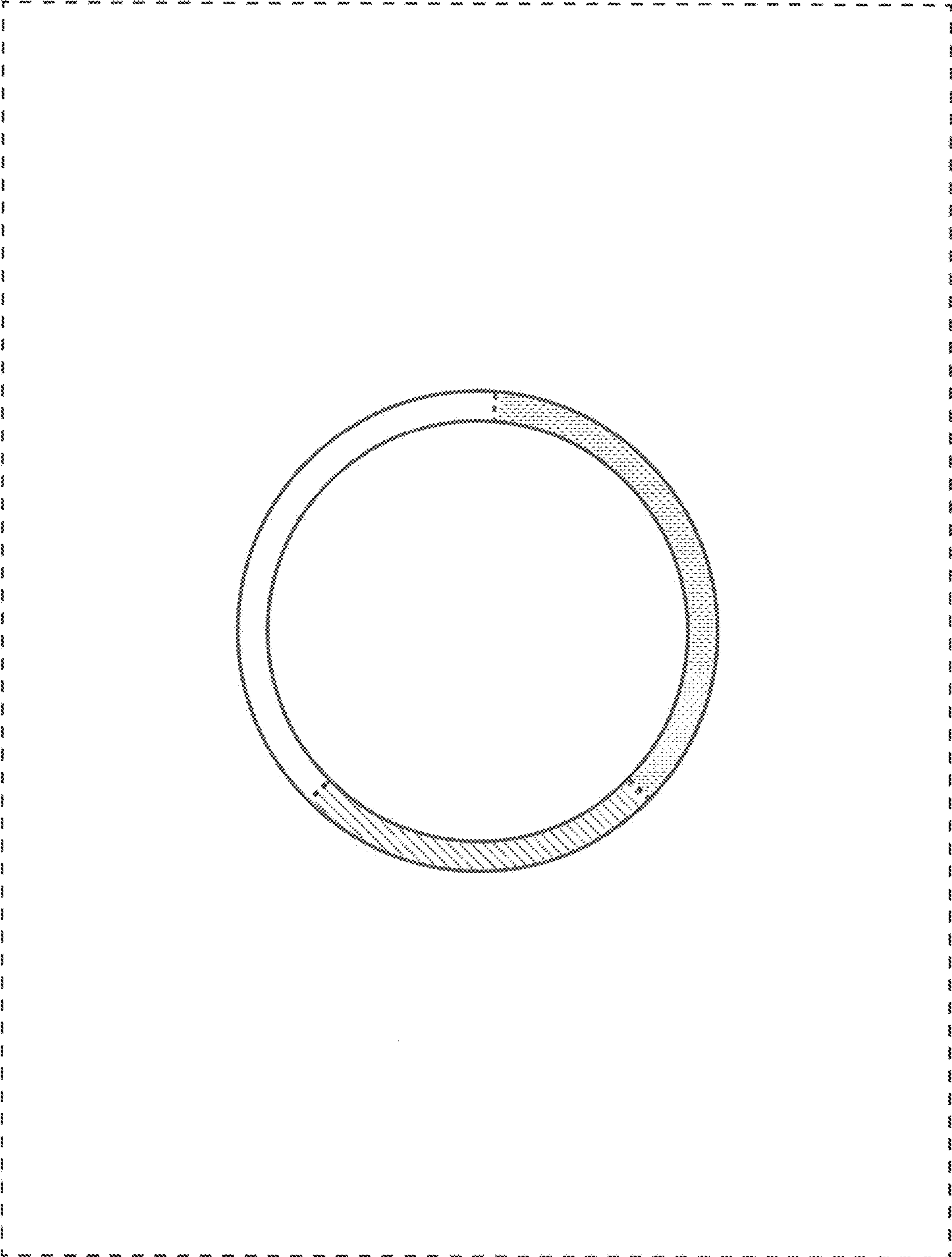


FIG. 3

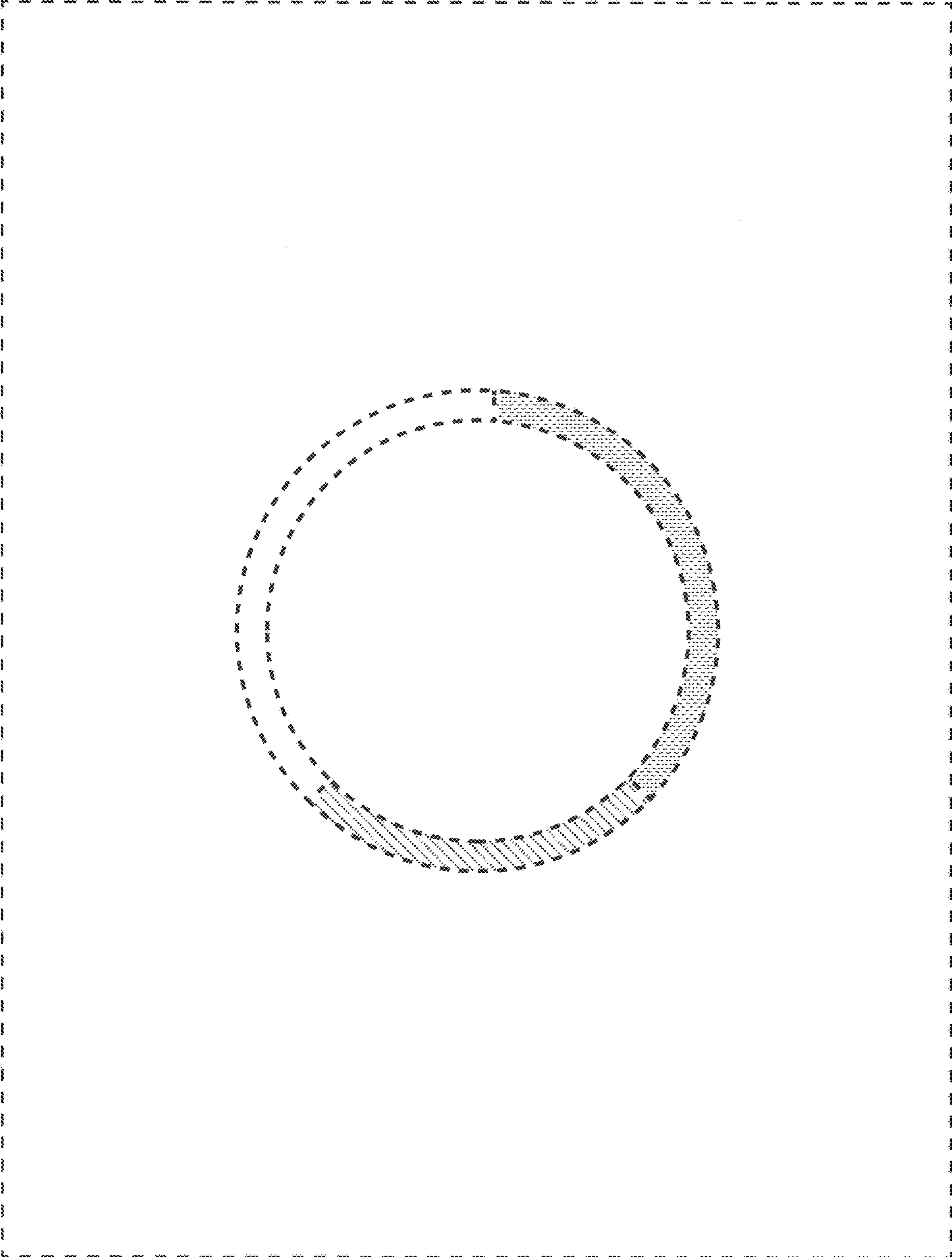


FIG. 4

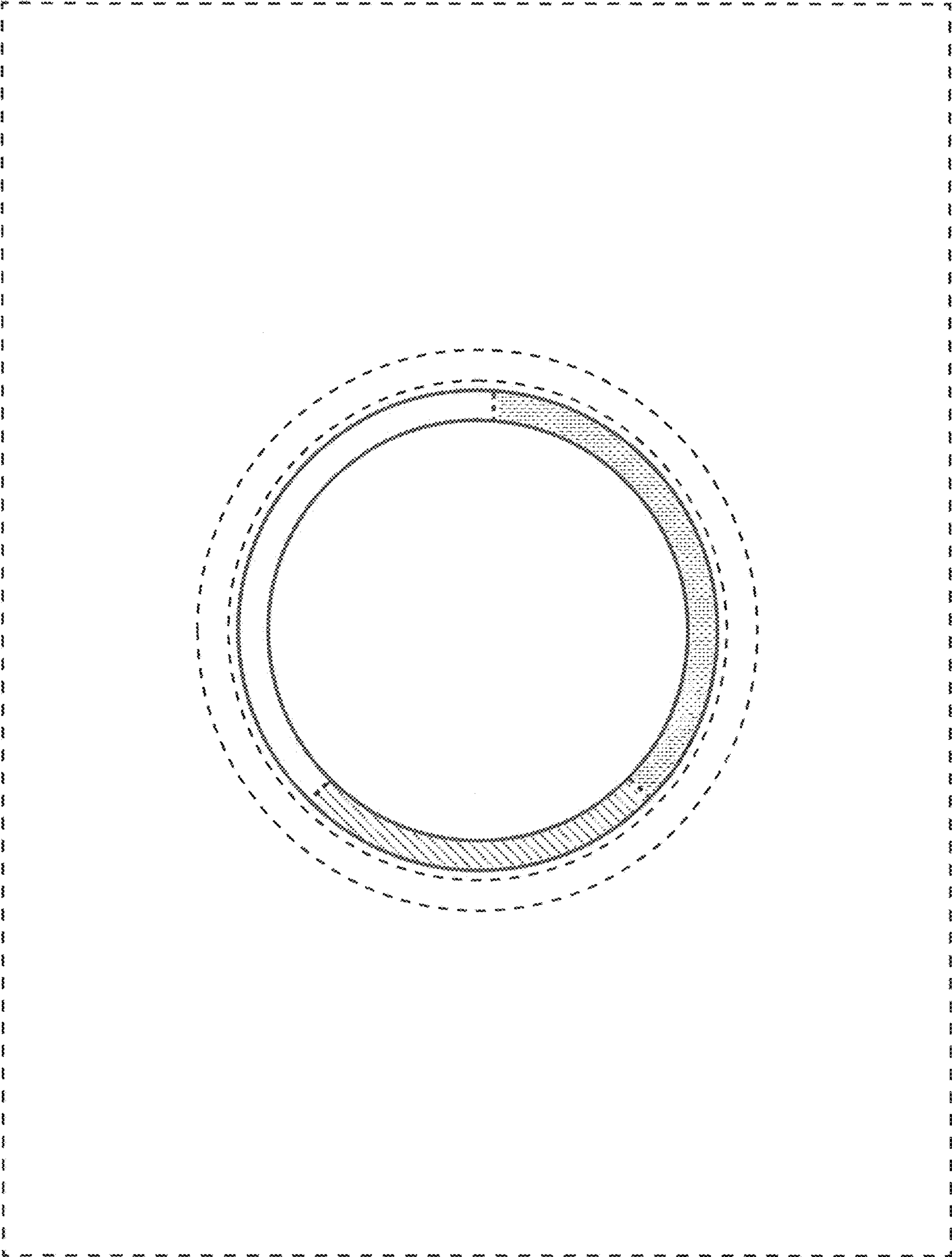


FIG. 5

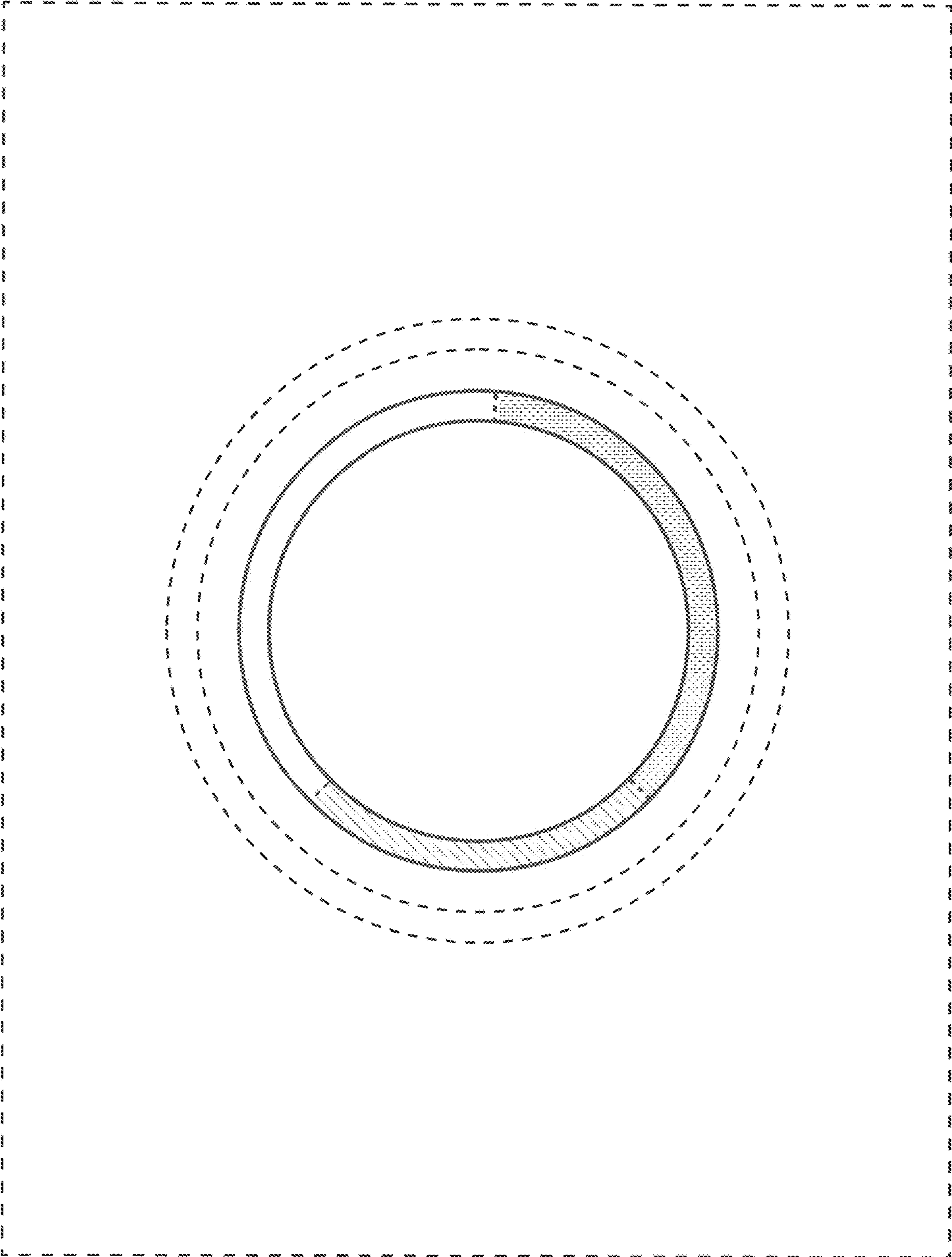


FIG. 6



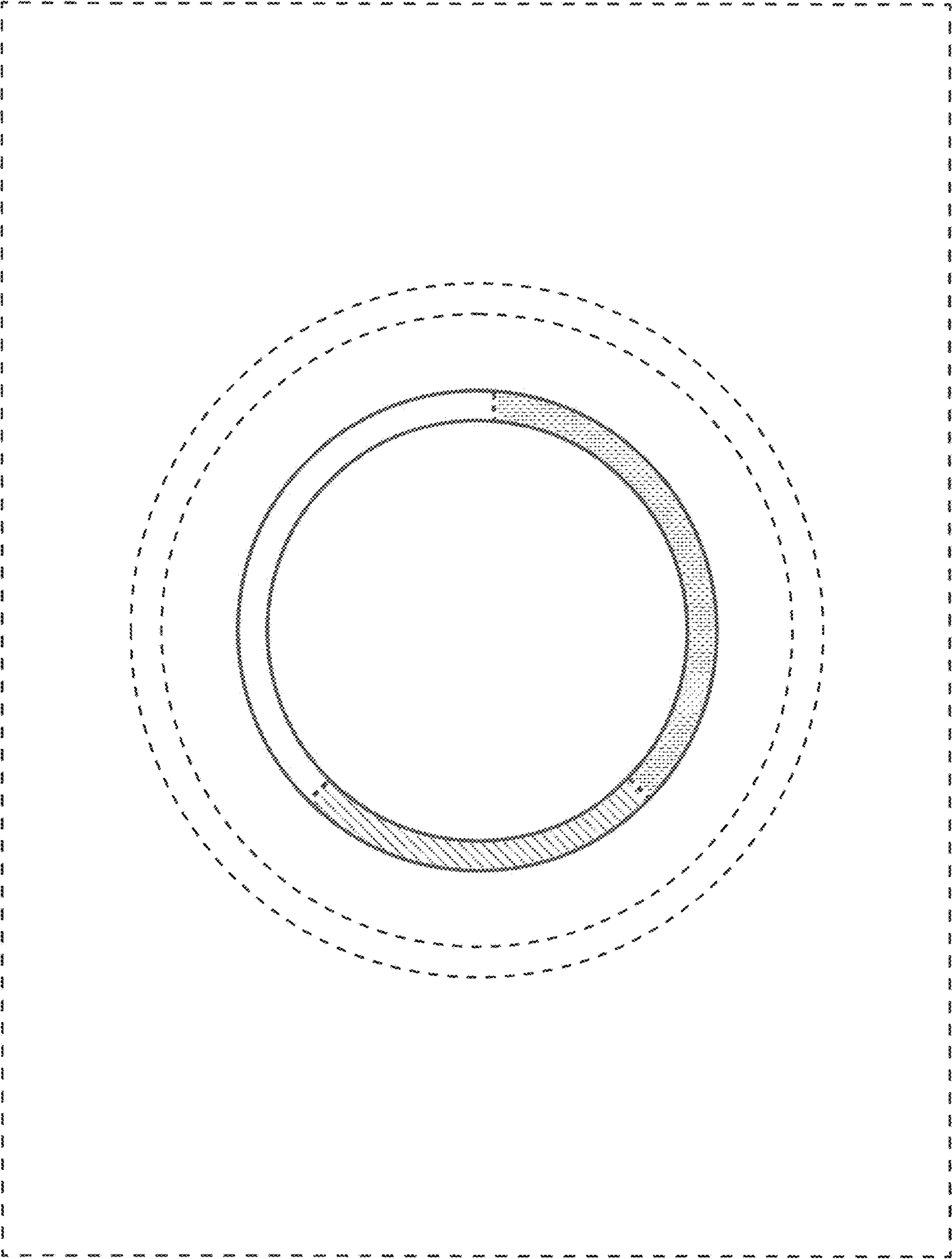


FIG. 7

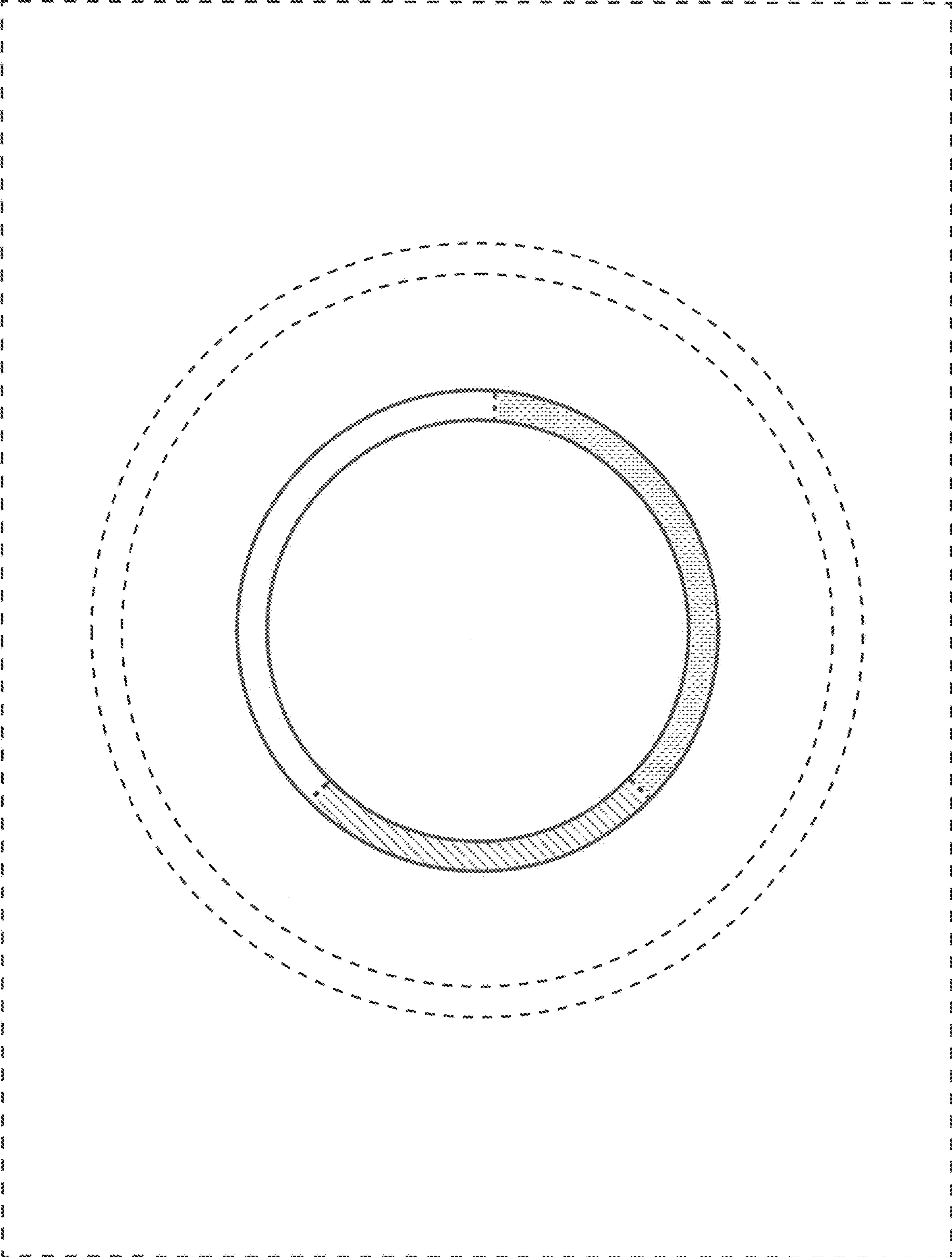


FIG. 8

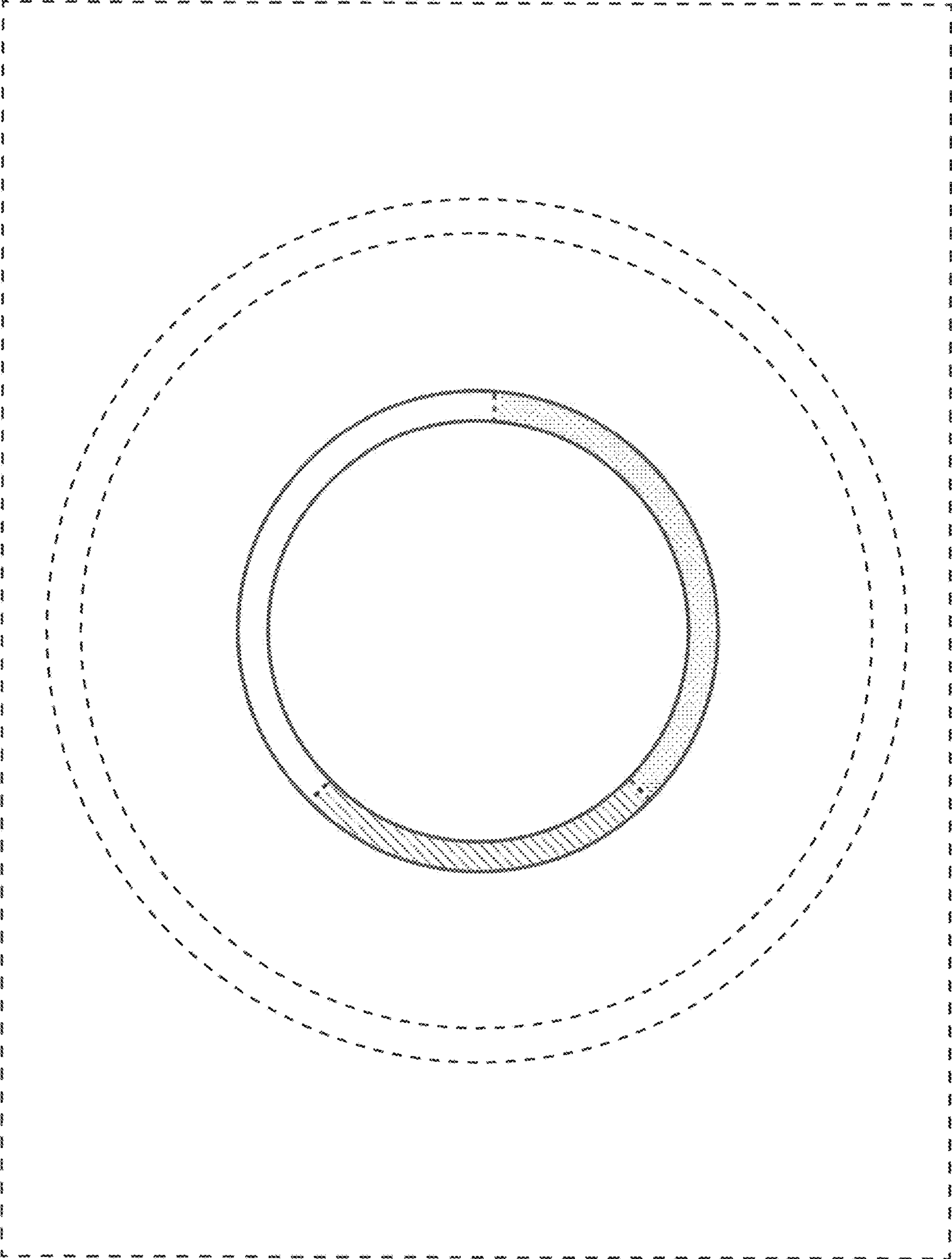


FIG. 9

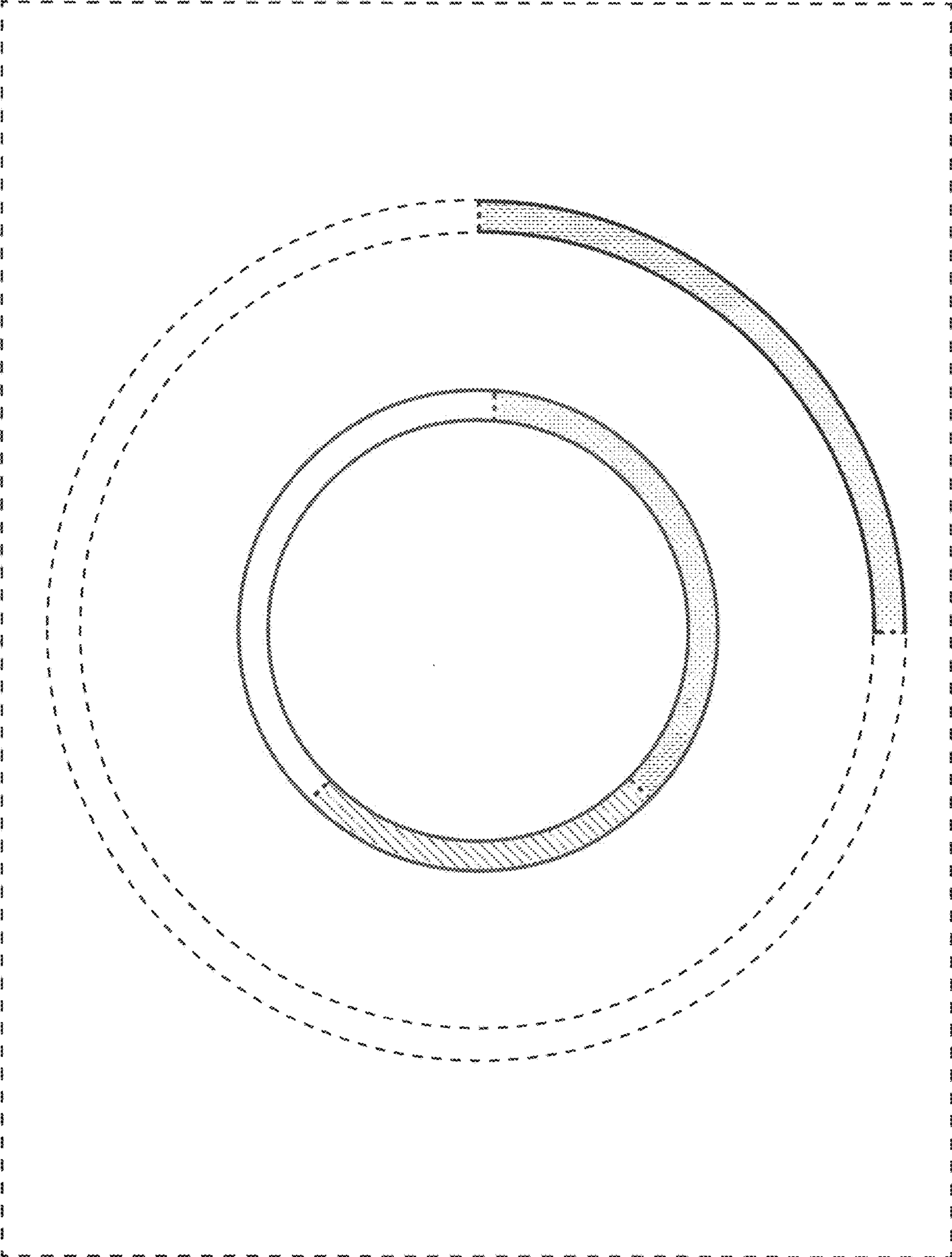


FIG. 10

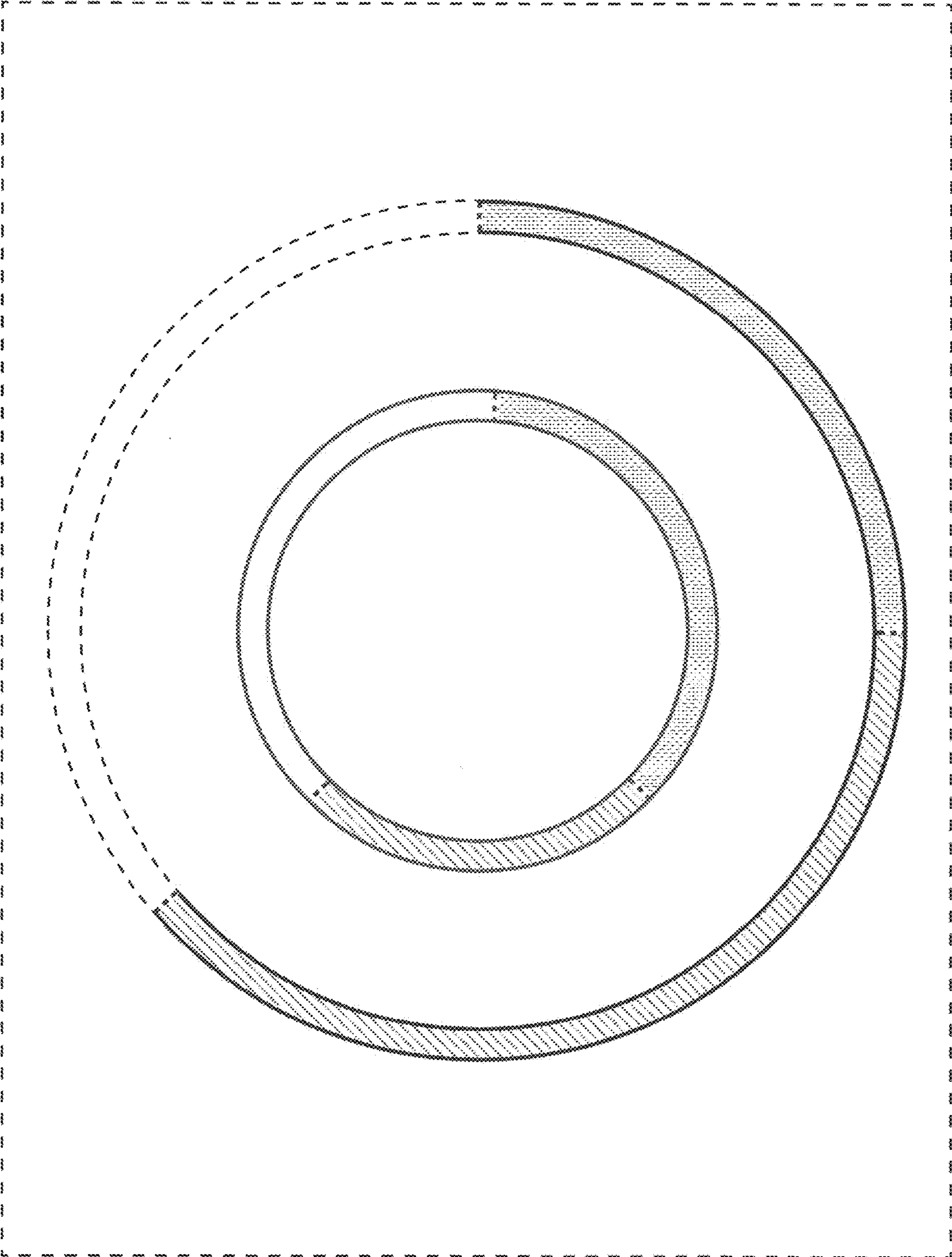


FIG. 11

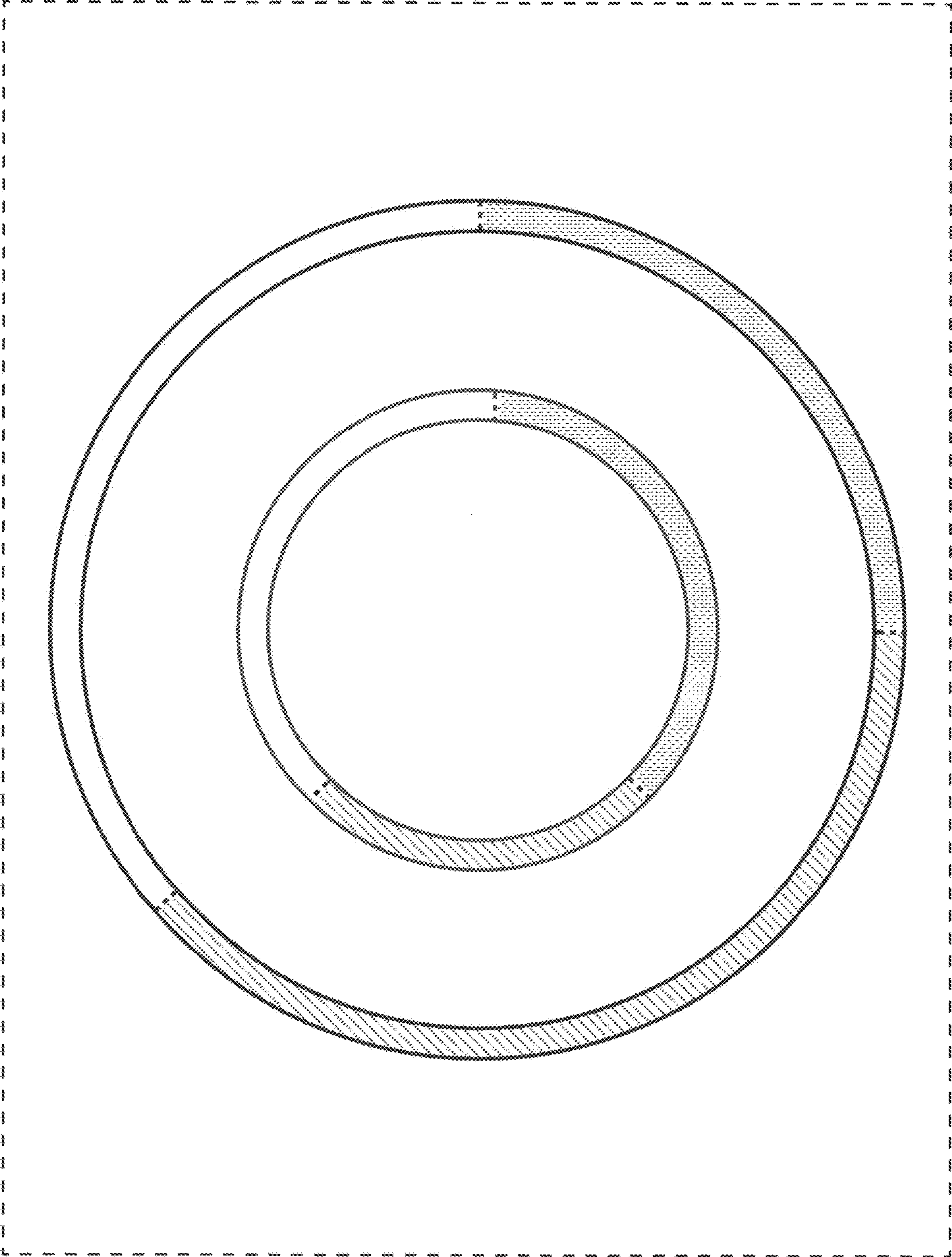


FIG. 12

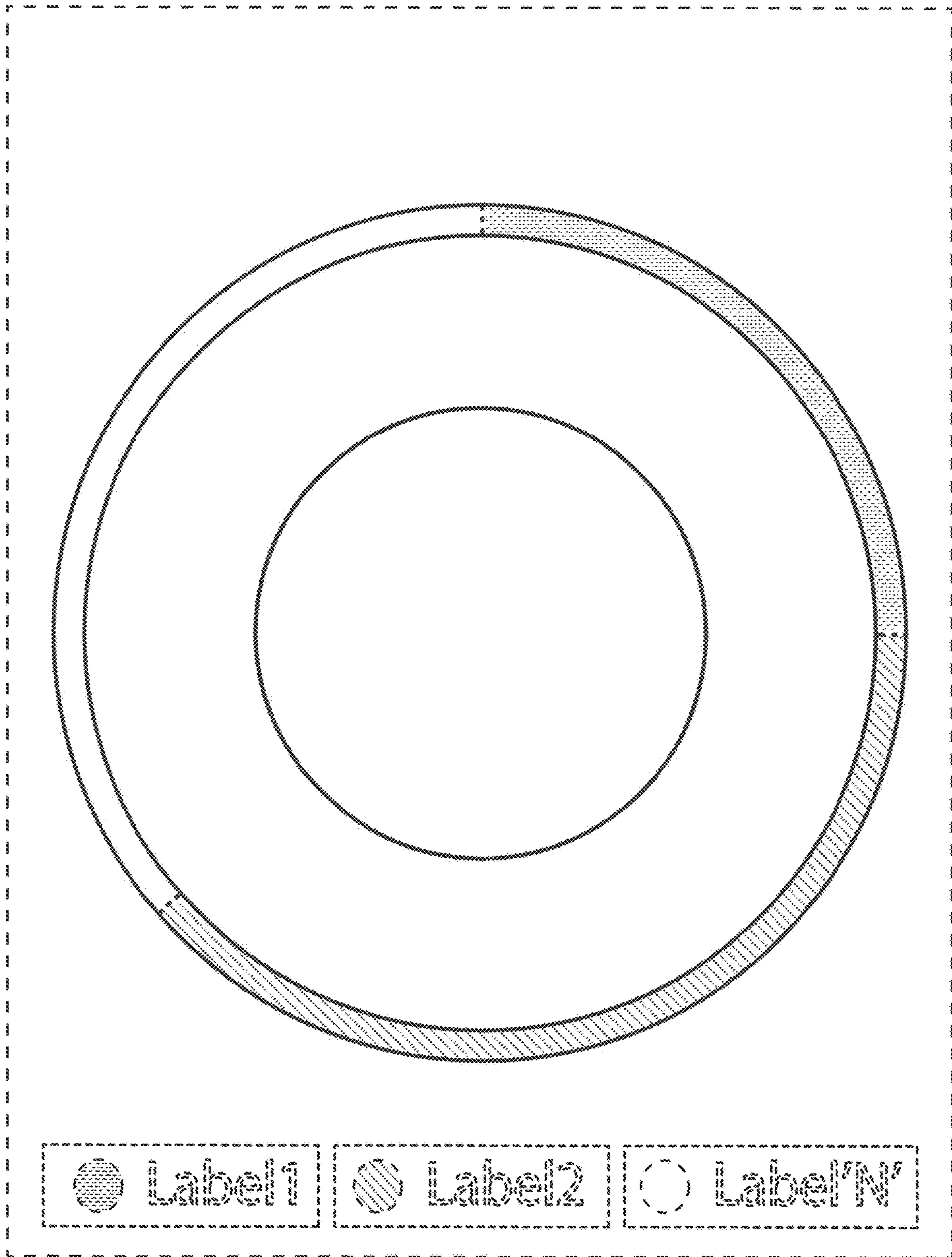


FIG. 13

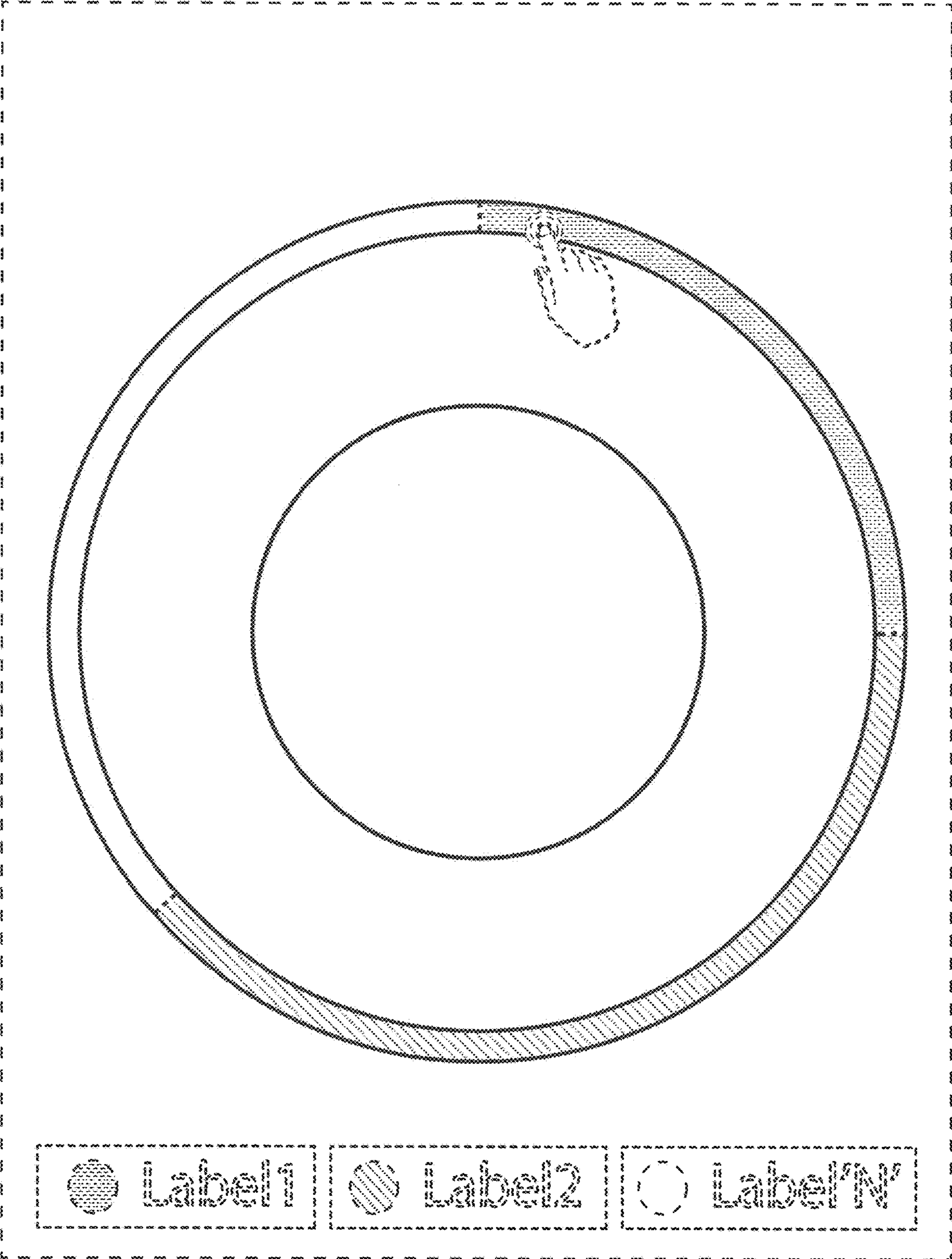


FIG. 14



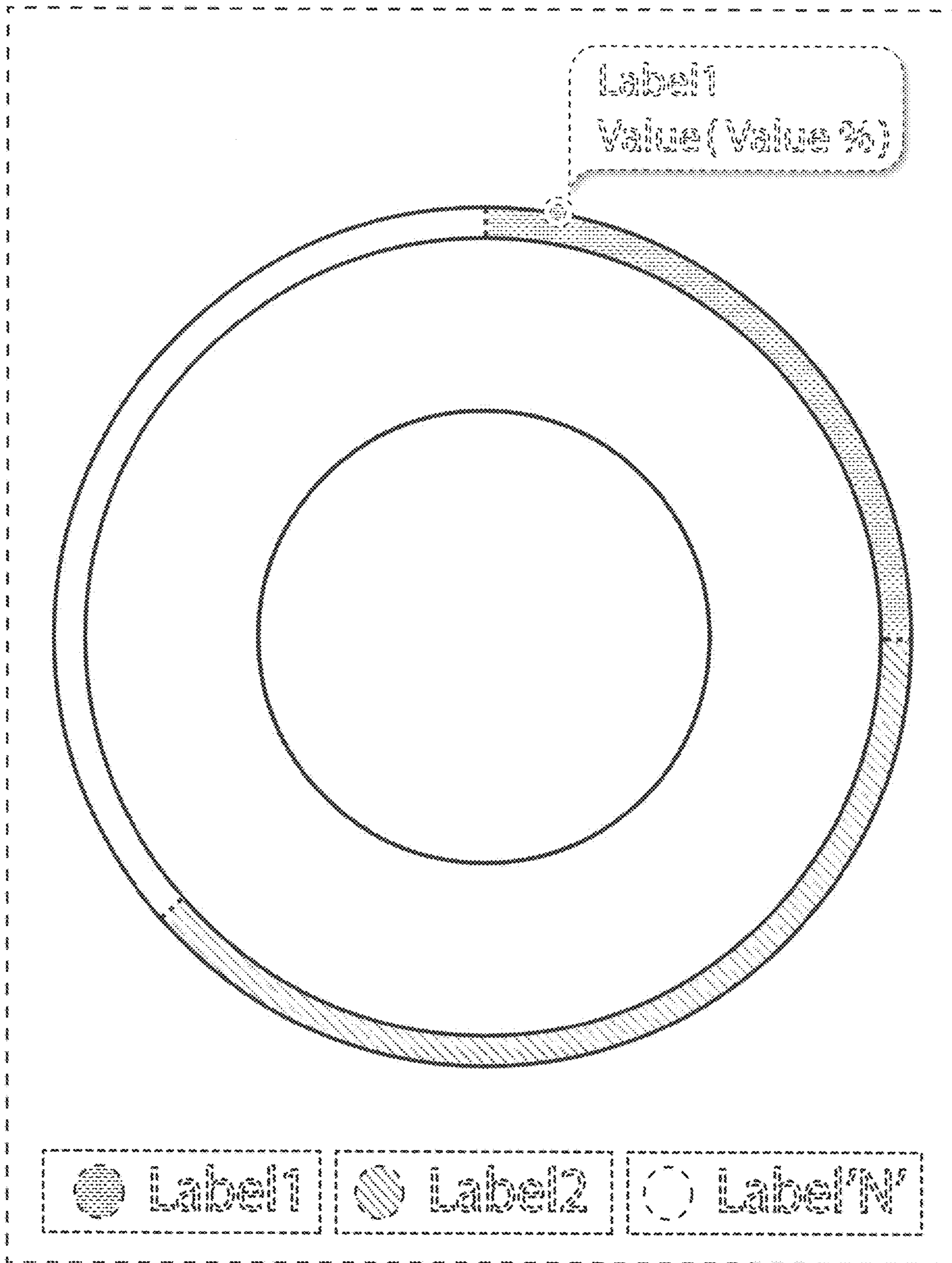


FIG. 15

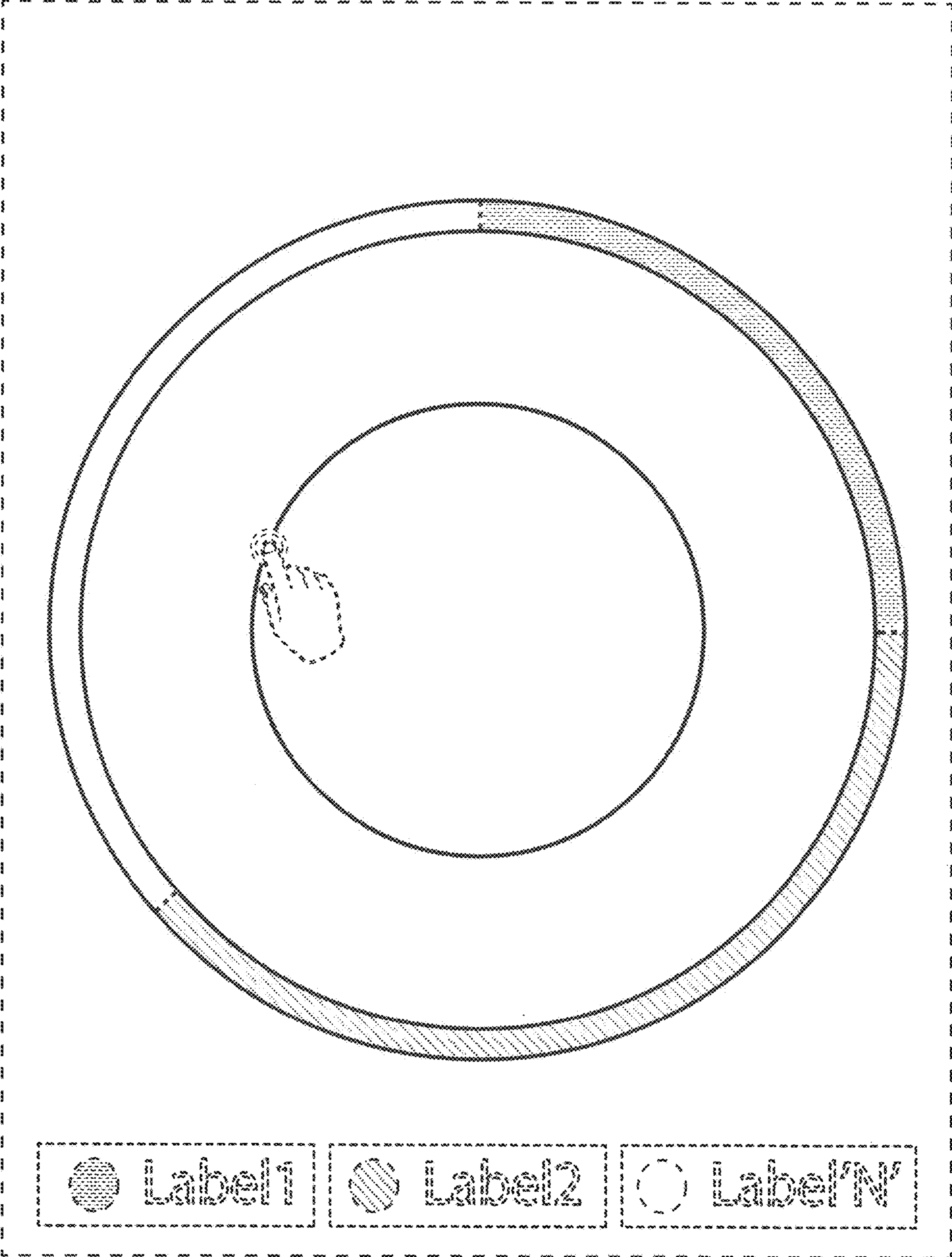


FIG. 16

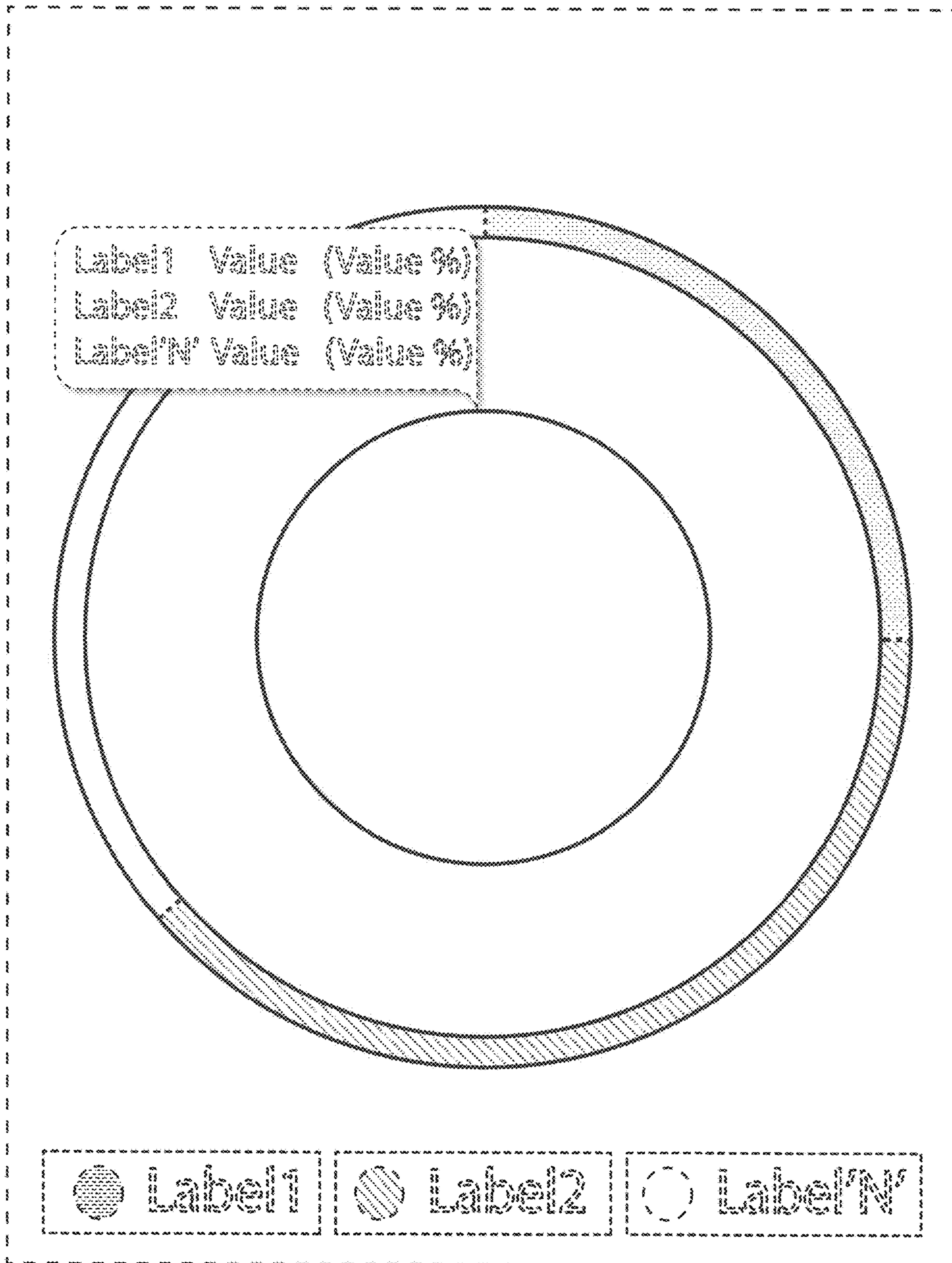


FIG. 17

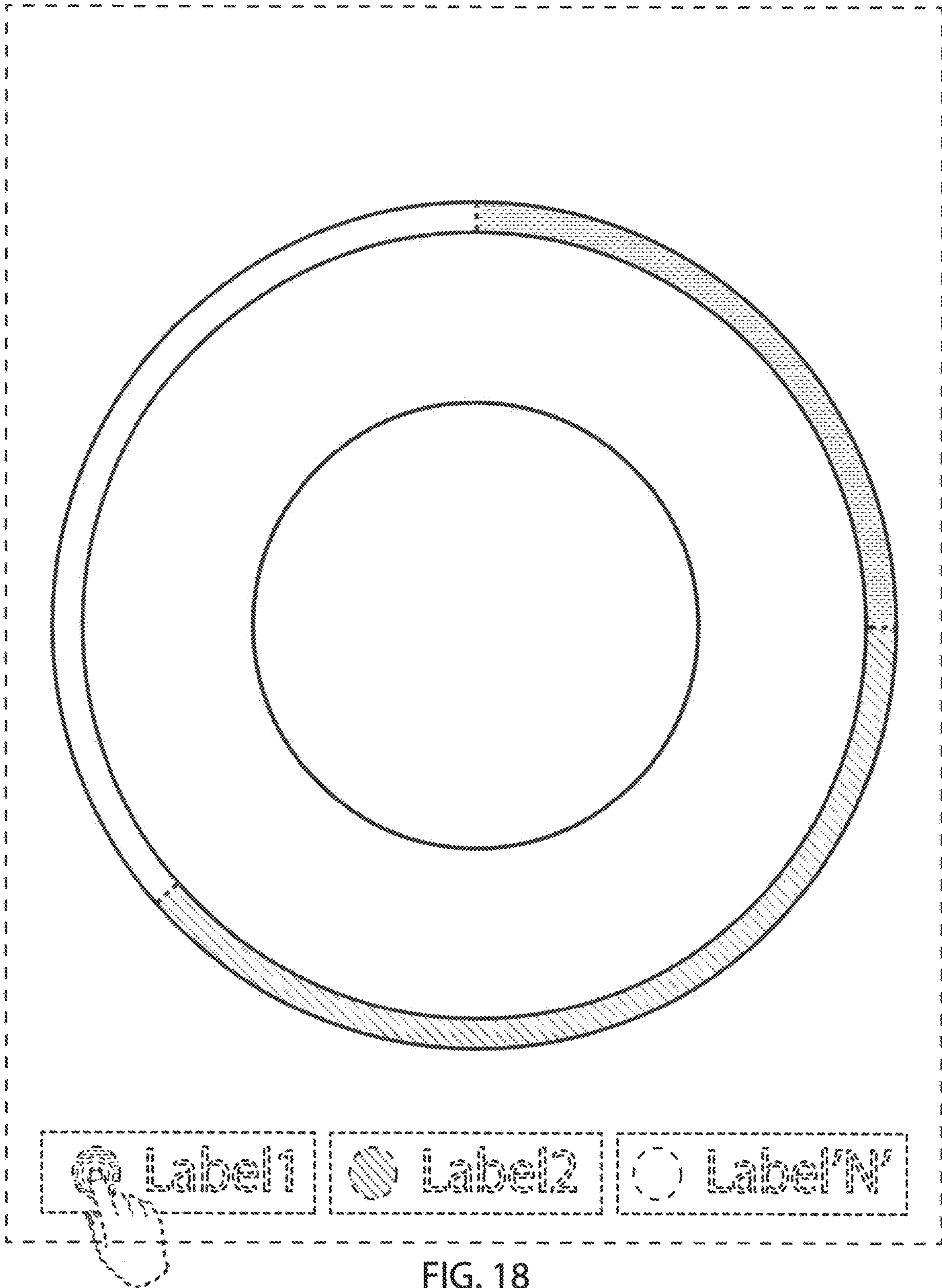


FIG. 18

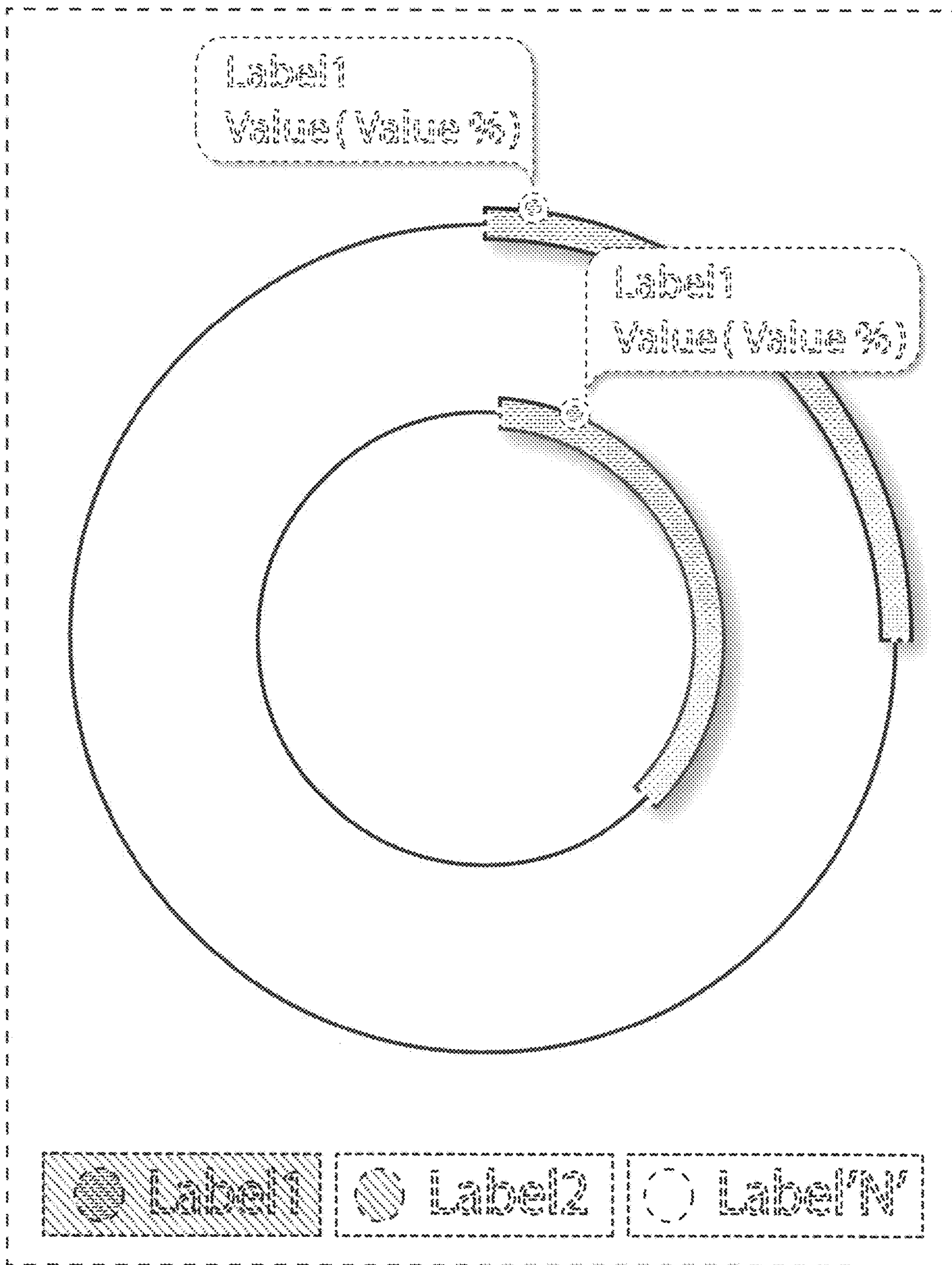


FIG. 19