



US00D924253S

(12) **United States Design Patent** (10) **Patent No.:** **US D924,253 S**
Sahu et al. (45) **Date of Patent:** **** Jul. 6, 2021**

(54) **COMPUTER SCREEN WITH ANIMATED GRAPHICAL USER INTERFACE**

Primary Examiner — Jack Reickel
(74) *Attorney, Agent, or Firm* — Hayes Soloway P.C.

(71) Applicant: **TATA CONSULTANCY SERVICES LIMITED**, Mumbai (IN)

(72) Inventors: **Swetaleena Sahu**, Bengaluru (IN); **Annie Thomas**, Bengaluru (IN); **Sathish Vallat**, Bengaluru (IN); **Nitin Kumar**, Bengaluru (IN)

(73) Assignee: **TATA CONSULTANCY SERVICES LIMITED**

(*) Notice: This patent is subject to a terminal disclaimer.

(**) Term: **15 Years**

(21) Appl. No.: **29/693,691**

(22) Filed: **Jun. 4, 2019**

(51) **LOC (13) Cl.** **14-04**

(52) **U.S. Cl.**
USPC **D14/485**

(58) **Field of Classification Search**
USPC D14/485–495

(Continued)

(56) **References Cited**

U.S. PATENT DOCUMENTS

D669,497 S * 10/2012 Lee D14/489
D709,917 S * 7/2014 Faulkner D14/494

(Continued)

OTHER PUBLICATIONS

“Top 15 Seekbar and Slider Github UI Libraries and Components [Java, Swift, Kotlin]” Jun. 5, 2018, UXPlanet, site visited Nov. 18, 2020: <https://uxplanet.org/top-15-seekbar-and-slider-github-ui-libraries-and-components-java-swift-kotlin-d0f6a9658be3> (Year: 2018).*

(Continued)

(57) **CLAIM**

We claim the ornamental design for a computer screen with animated graphical user interface, as shown and described.

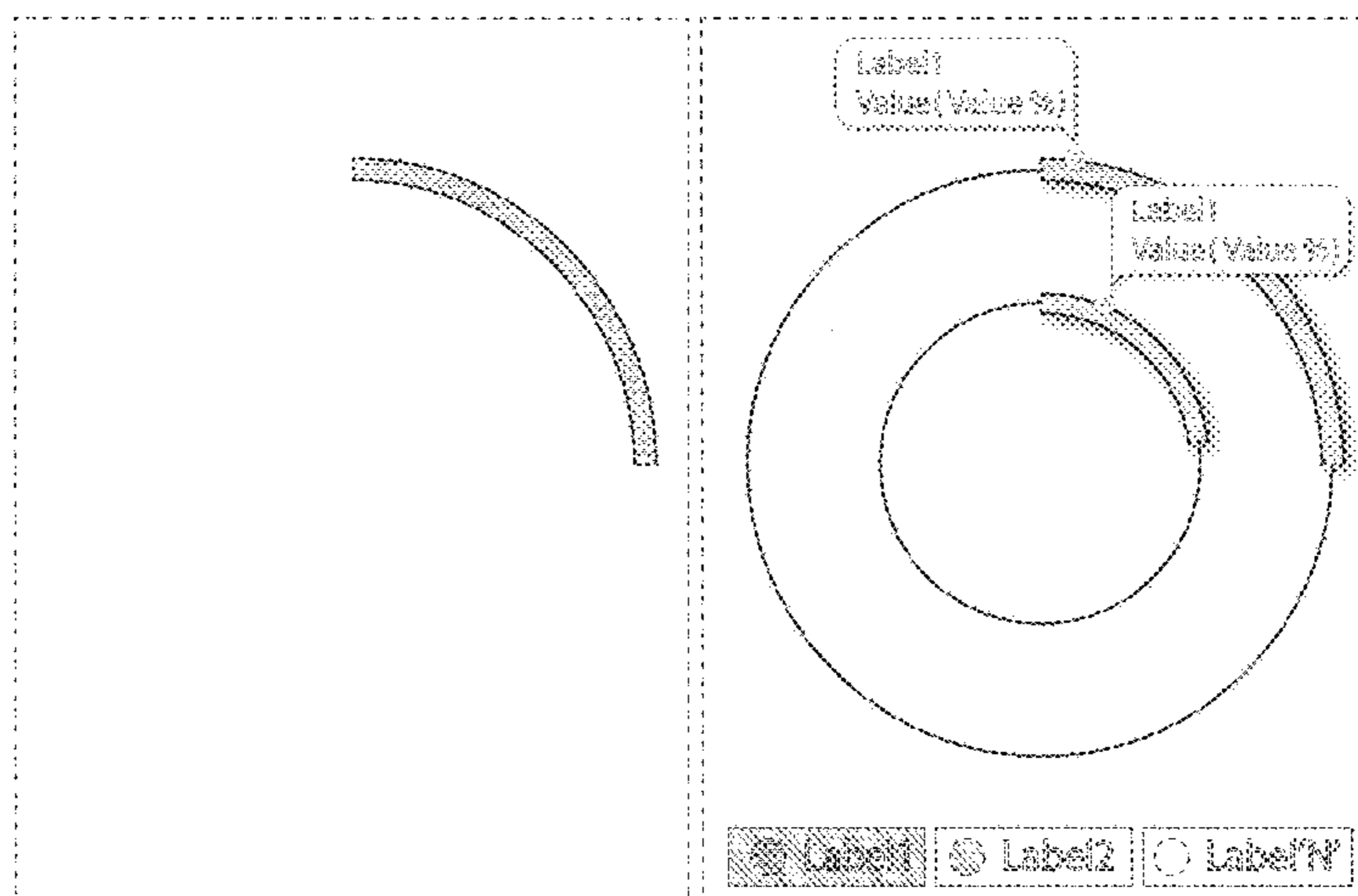
DESCRIPTION

FIG. 1 is a front view of a computer screen with animated graphical user interface showing a first image in a sequence; FIG. 2 is a front view of a second image thereof; FIG. 3 is a front view of a third image thereof; FIG. 4 is a front view of a fourth image thereof; FIG. 5 is a front view of a fifth image thereof; FIG. 6 is a front view of a sixth image thereof; FIG. 7 is a front view of a seventh image thereof; FIG. 8 is a front view of an eighth image thereof; FIG. 9 is a front view of a ninth image thereof; FIG. 10 is a front view of a tenth image thereof; FIG. 11 is a front view of an eleventh image thereof; FIG. 12 is a front view of a twelfth image thereof; FIG. 13 is a front view of a thirteenth image thereof; FIG. 14 is a front view of a fourteenth image thereof; FIG. 15 is a front view of a fifteenth image thereof; FIG. 16 is a front view of a sixteenth image thereof; FIG. 17 is a front view of a seventeenth image thereof; FIG. 18 is a front view of an eighteenth image thereof; and, FIG. 19 is a front view of a nineteenth image thereof.

The figures are a front view of a computer screen with an animated graphical user interface. The dashed broken line perimeter is included for the purpose of illustrating a computer screen and forms no part of the claimed design. The dashed and square-dotted broken line indicia is included for the purpose of illustrating an animated graphical user interface and forms no part of the claimed design.

The dashed hatching, dotted hatching, and tonal shading are included for the purpose of illustrating a contrast in appearance and form a part of the claimed design.

(Continued)



The appearance of the image transitions sequentially between the images shown in FIGS. 1-19. The process or period in which an image transitions to another forms no part of the claimed design.

1 Claim, 19 Drawing Sheets

(58) **Field of Classification Search**

CPC G06F 3/048; G06F 3/0481; G06F 3/04817;
G06F 3/0482; G06F 3/0483; G06F
3/04842; G06F 3/0485; G06F 3/04855;
G06F 3/0486; G06F 3/0488; G06F
3/04886; G06F 9/4443; G06F 17/211;
G06F 17/212

See application file for complete search history.

(56) **References Cited**

U.S. PATENT DOCUMENTS

D716,325 S * 10/2014 Brudnicki D14/486
D739,872 S * 9/2015 Bang D14/488
D741,898 S * 10/2015 Soegiono D14/488
D750,125 S * 2/2016 Yang D14/488
D760,790 S * 7/2016 Ishii G06F 3/04817
D14/494
D760,792 S * 7/2016 Liu G06F 3/04817
D14/494
D762,716 S * 8/2016 Yang D14/489
D763,910 S * 8/2016 Drozd D14/489
D765,091 S * 8/2016 Del Lima D14/485
D765,718 S * 9/2016 Vinna D14/488
D768,673 S * 10/2016 Kim D14/486
D772,935 S * 11/2016 Gauci D14/490
D781,327 S * 3/2017 Conze D14/486

D781,876 S * 3/2017 Wang D14/485
D781,878 S * 3/2017 Butcher D14/485
D784,390 S * 4/2017 Dye D14/486
D788,122 S * 5/2017 Tada D14/485
D791,806 S * 7/2017 Brewington D14/486
D800,164 S * 10/2017 Tsukahara D14/492
D802,008 S * 11/2017 Zhang D14/487
D803,233 S * 11/2017 Wilberding D14/485
D803,242 S * 11/2017 Mizono H04L 12/2807
D14/486
D803,247 S * 11/2017 Mistry D14/486
D808,974 S * 1/2018 Chiappone D14/485
D821,410 S * 6/2018 Vinna D14/485
D821,443 S * 6/2018 Jang D14/489
D823,859 S * 7/2018 Boyd D14/485
D823,879 S * 7/2018 Brigham D14/486
10,063,908 B2 * 8/2018 Jain G06F 1/163
D840,415 S * 2/2019 Yoon D14/485
D875,742 S * 2/2020 Kang D14/485
2012/0096383 A1 * 4/2012 Sakamoto G06F 9/451
715/772
2015/0106726 A1 * 4/2015 Nagasaki G06F 3/0482
715/739
2016/0103872 A1 * 4/2016 Prophete G06Q 10/0639
707/722

OTHER PUBLICATIONS

“A Custom Reusable Circular / Progress Slider Control for iOS Application” Dec. 3, 2018, iOSExample, site visited Nov. 18, 2020: <https://iosexample.com/a-custom-reusable-circular-progress-slider-control-for-ios-application/> (Year: 2018).*

“Glowing Loader Ring Animation 2—Pure CSS Animation Effects” Apr. 7, 2018, YouTube, site visited Nov. 19, 2020: <https://www.youtube.com/watch?v=FS6FGdHTJYo> (Year: 2018).*

* cited by examiner

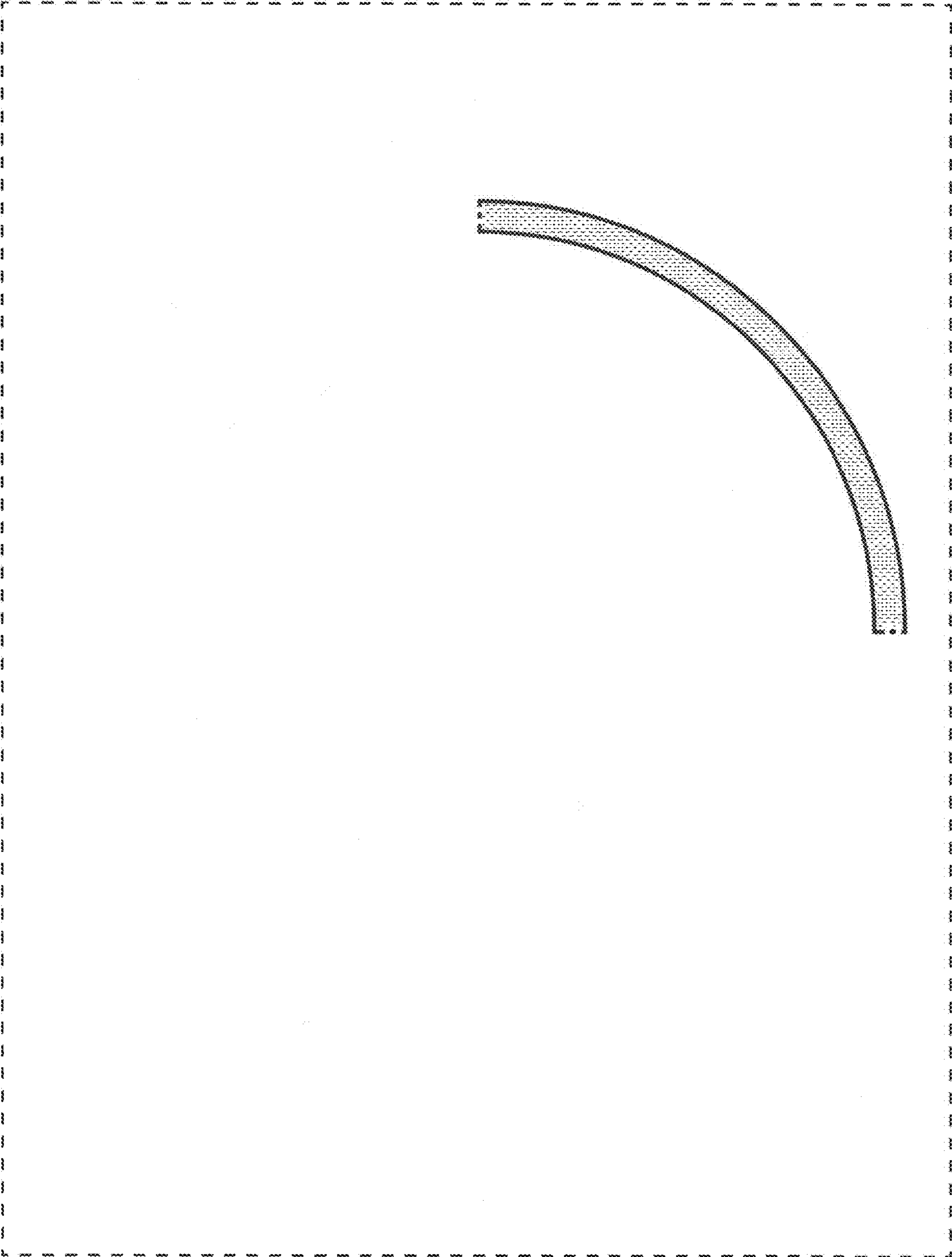


FIG. 1

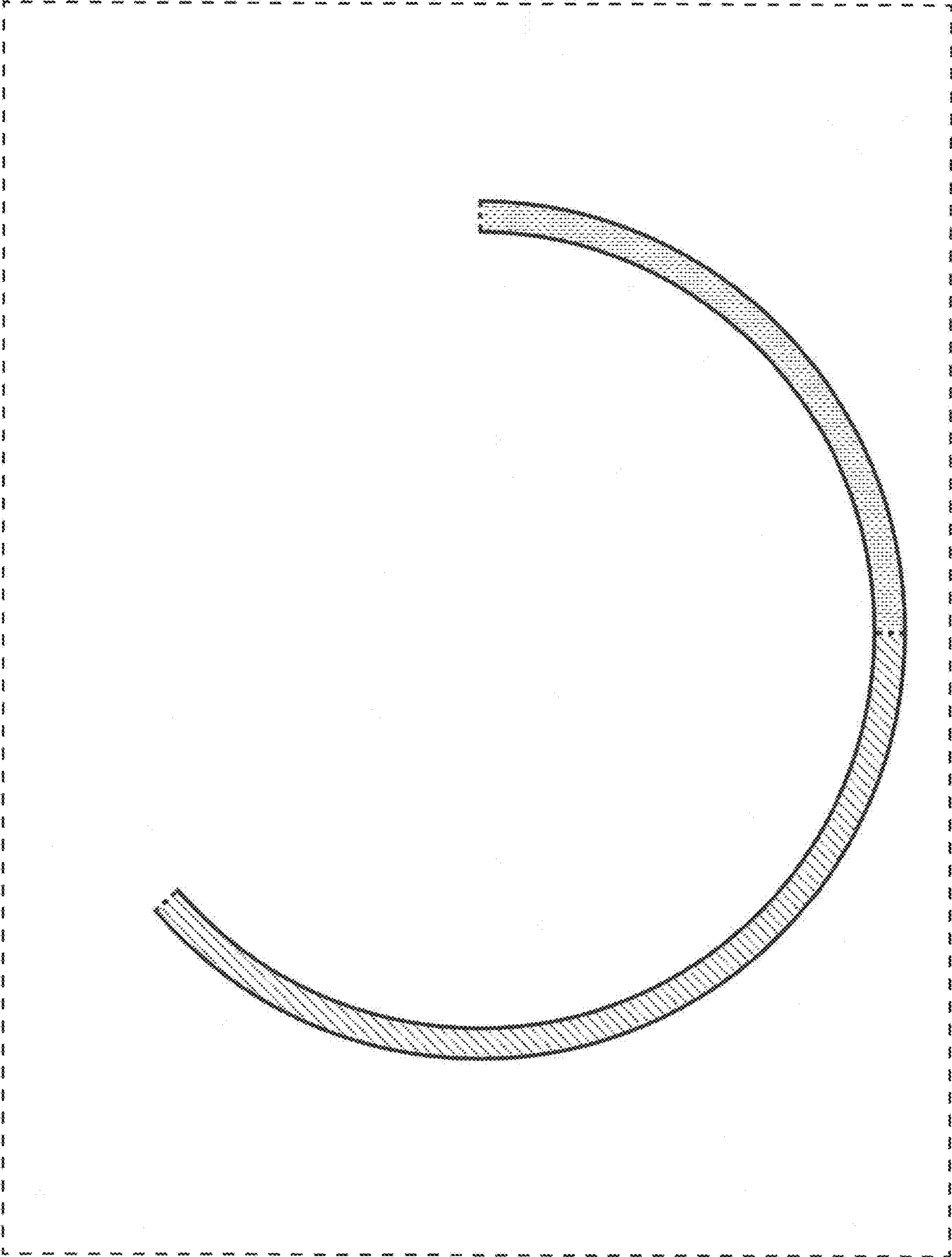


FIG. 2

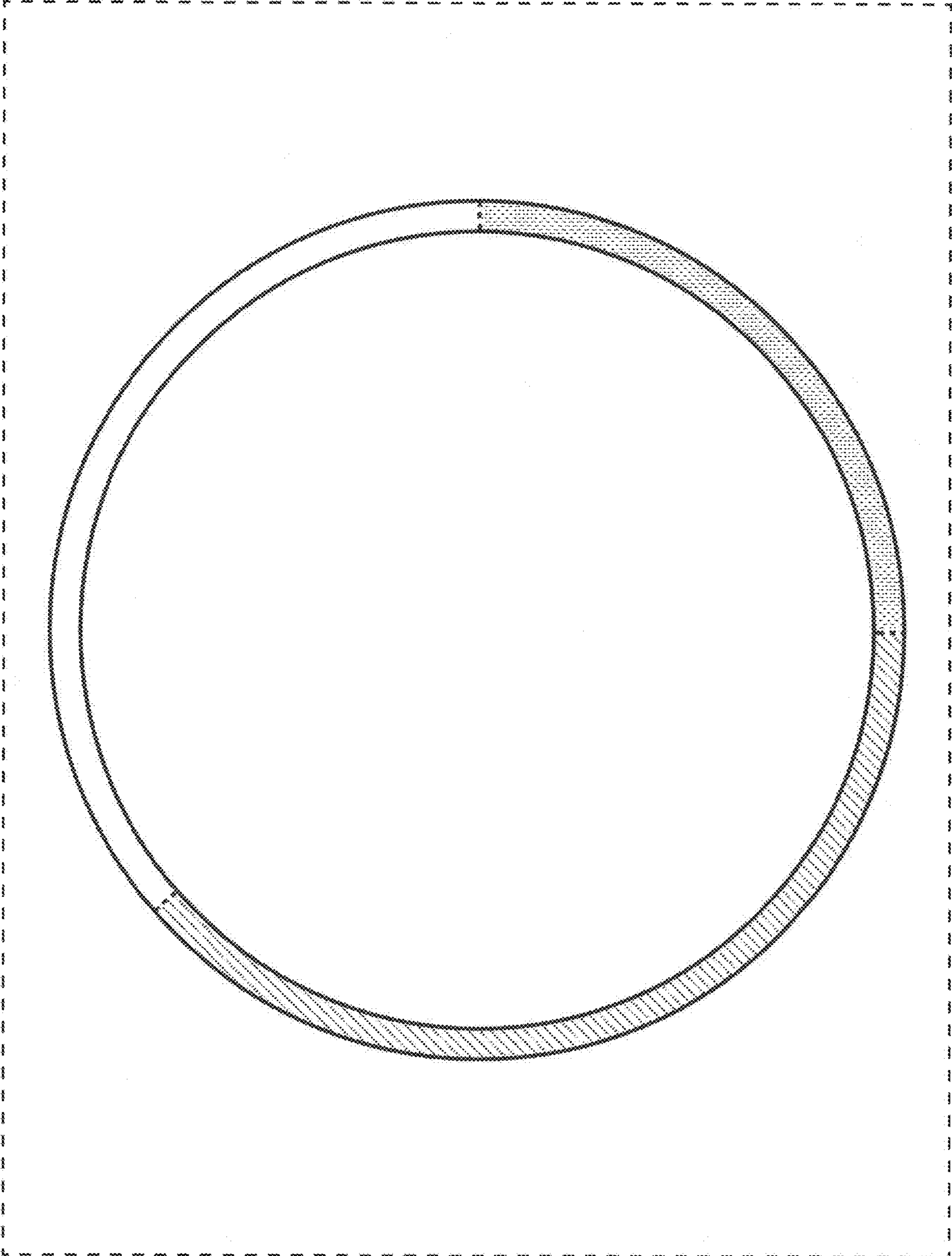


FIG. 3

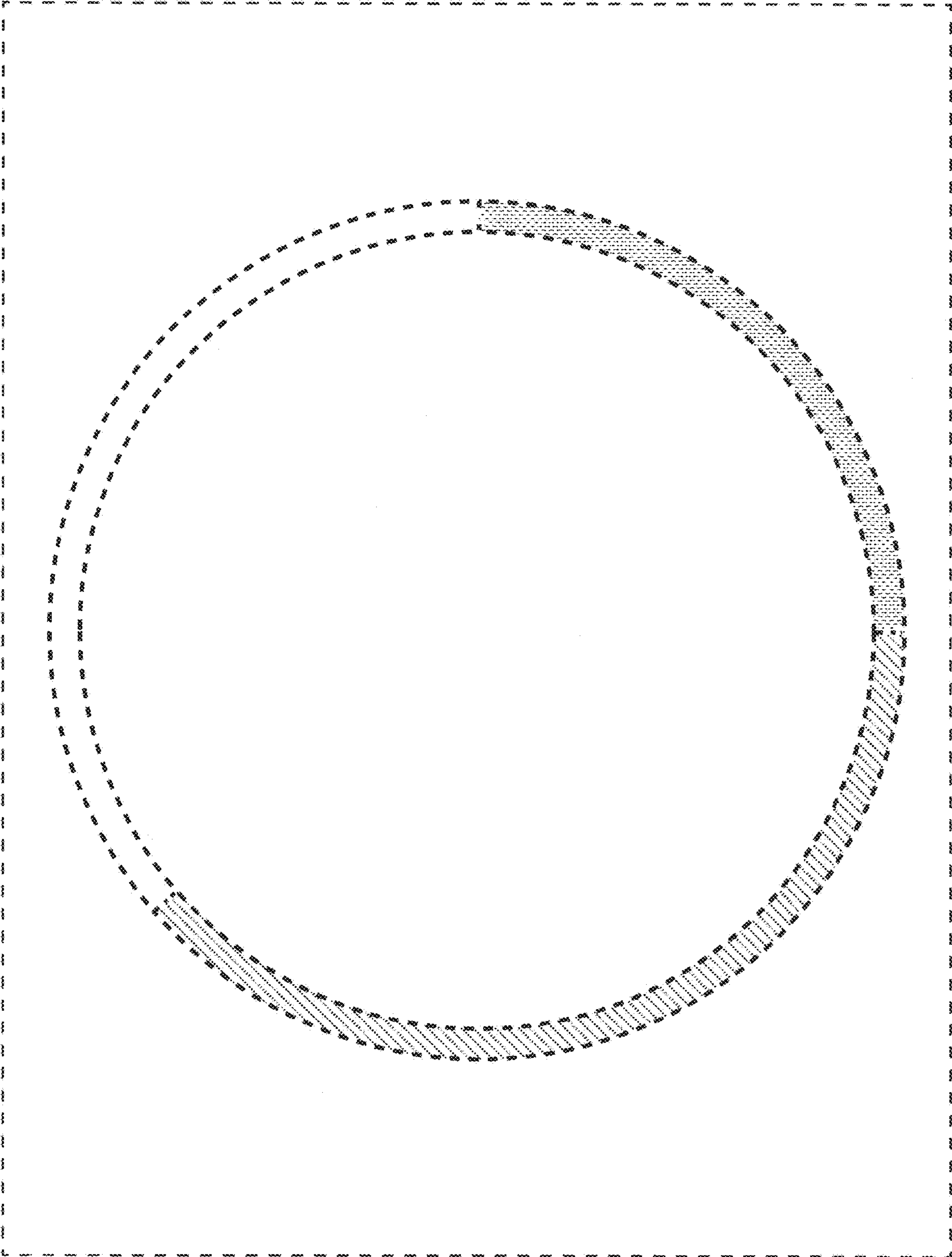


FIG. 4

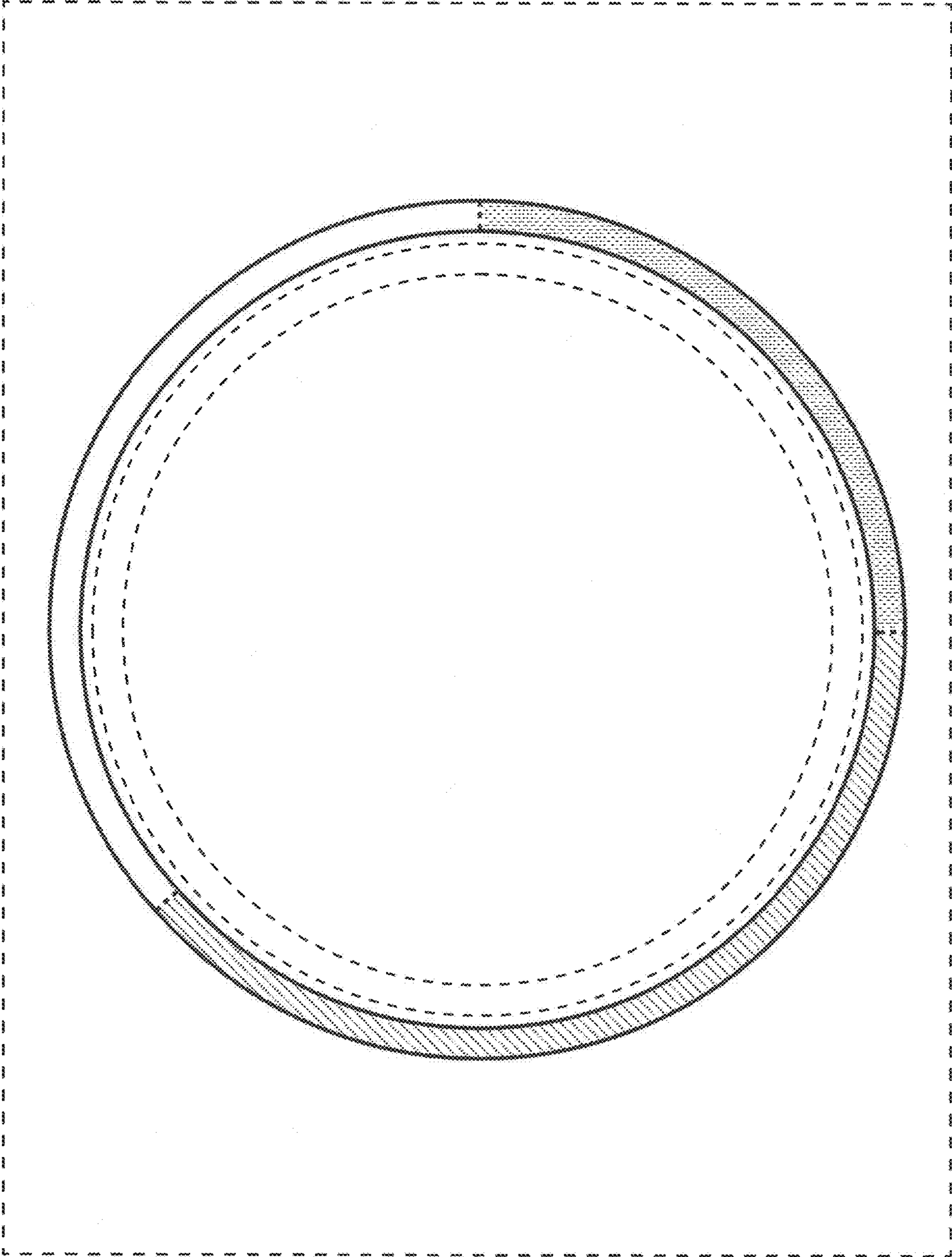


FIG. 5

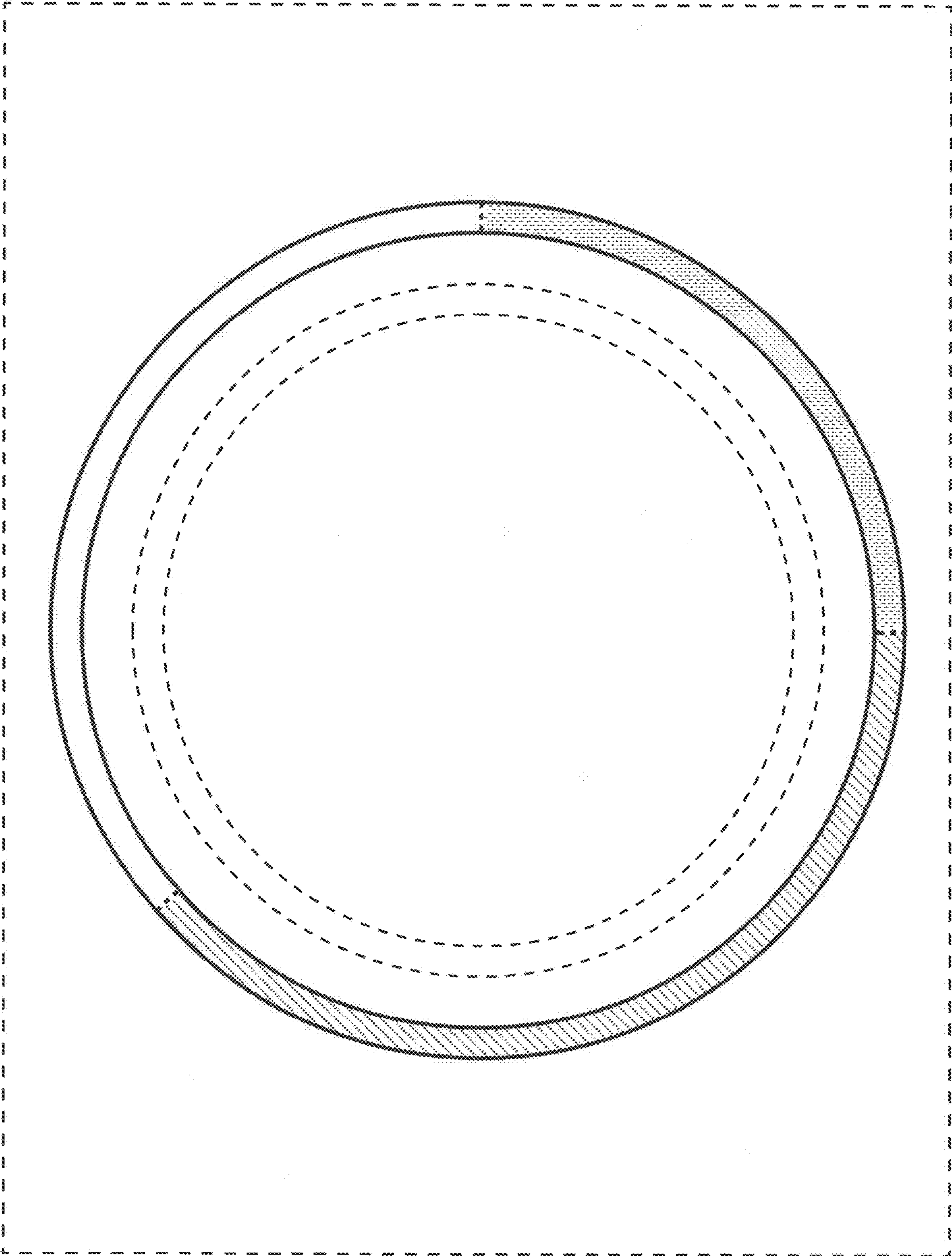


FIG. 6

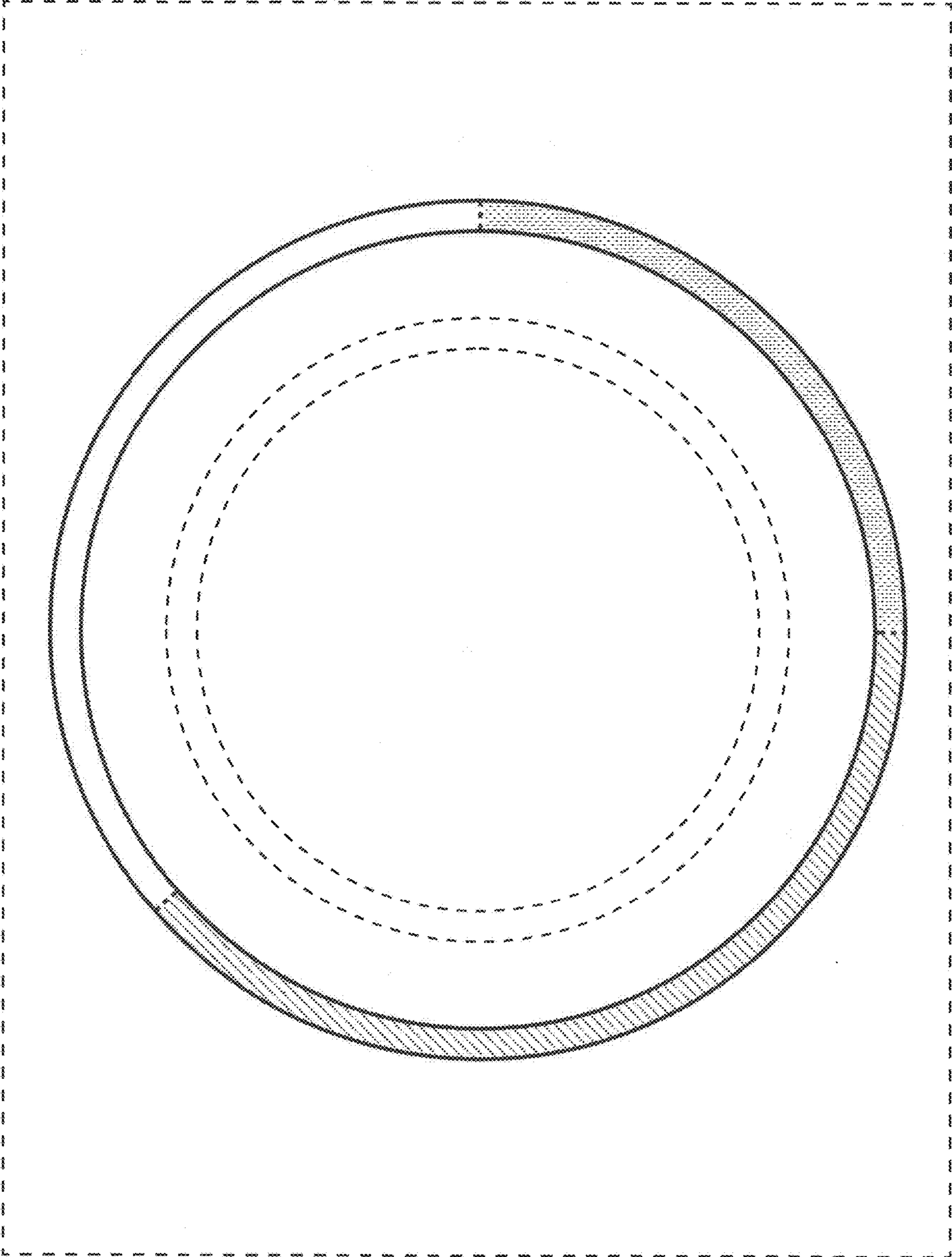


FIG. 7

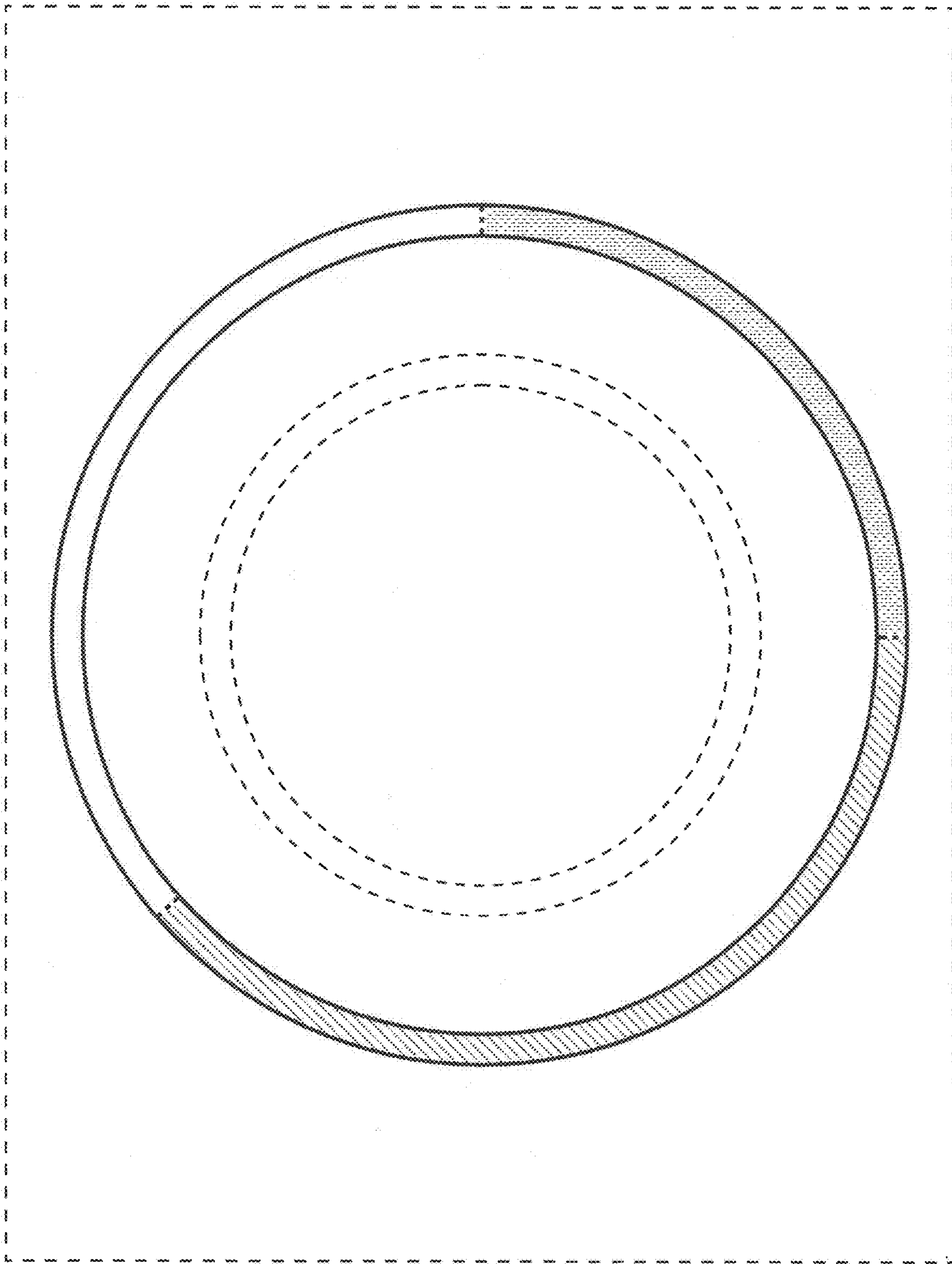


FIG. 8

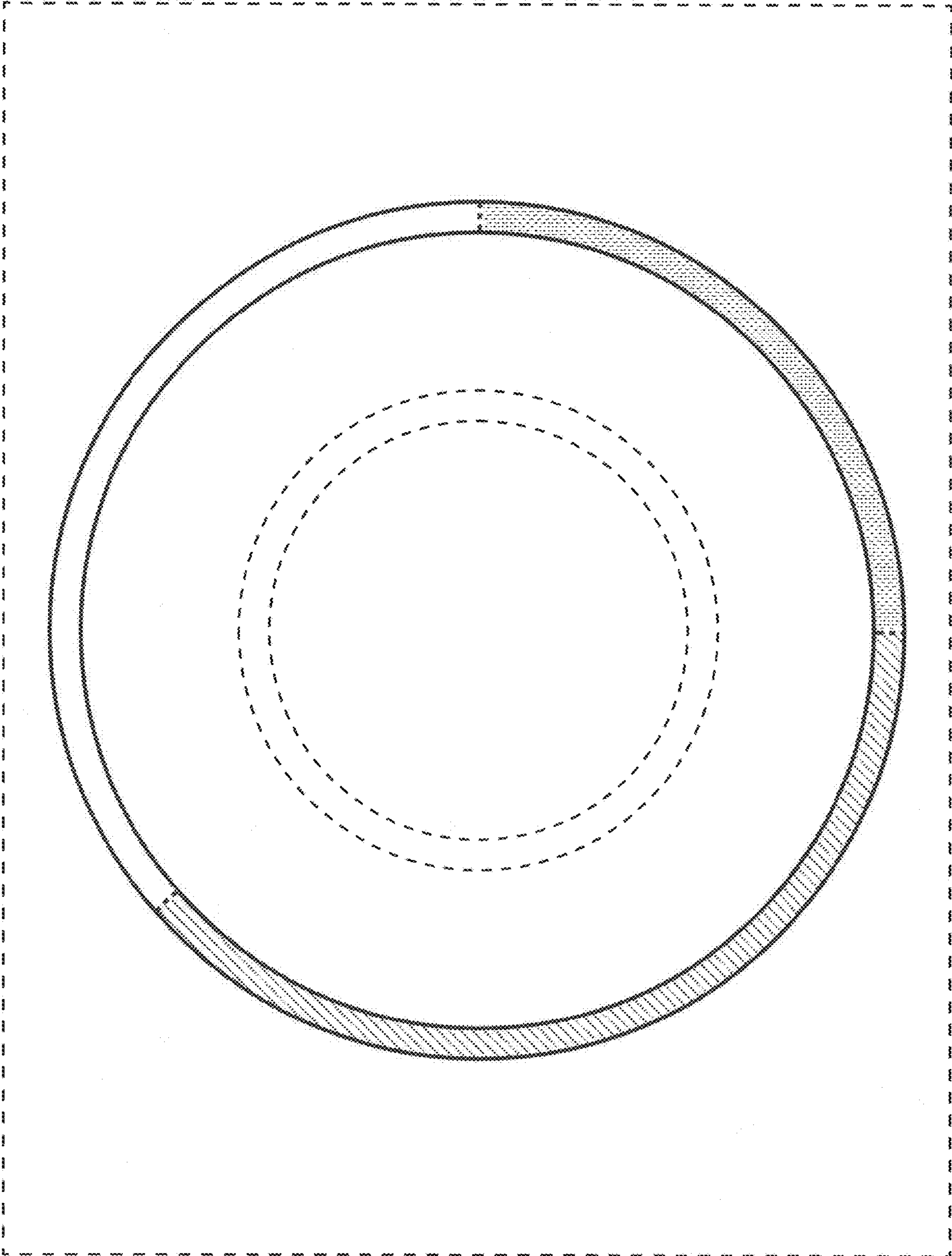


FIG. 9

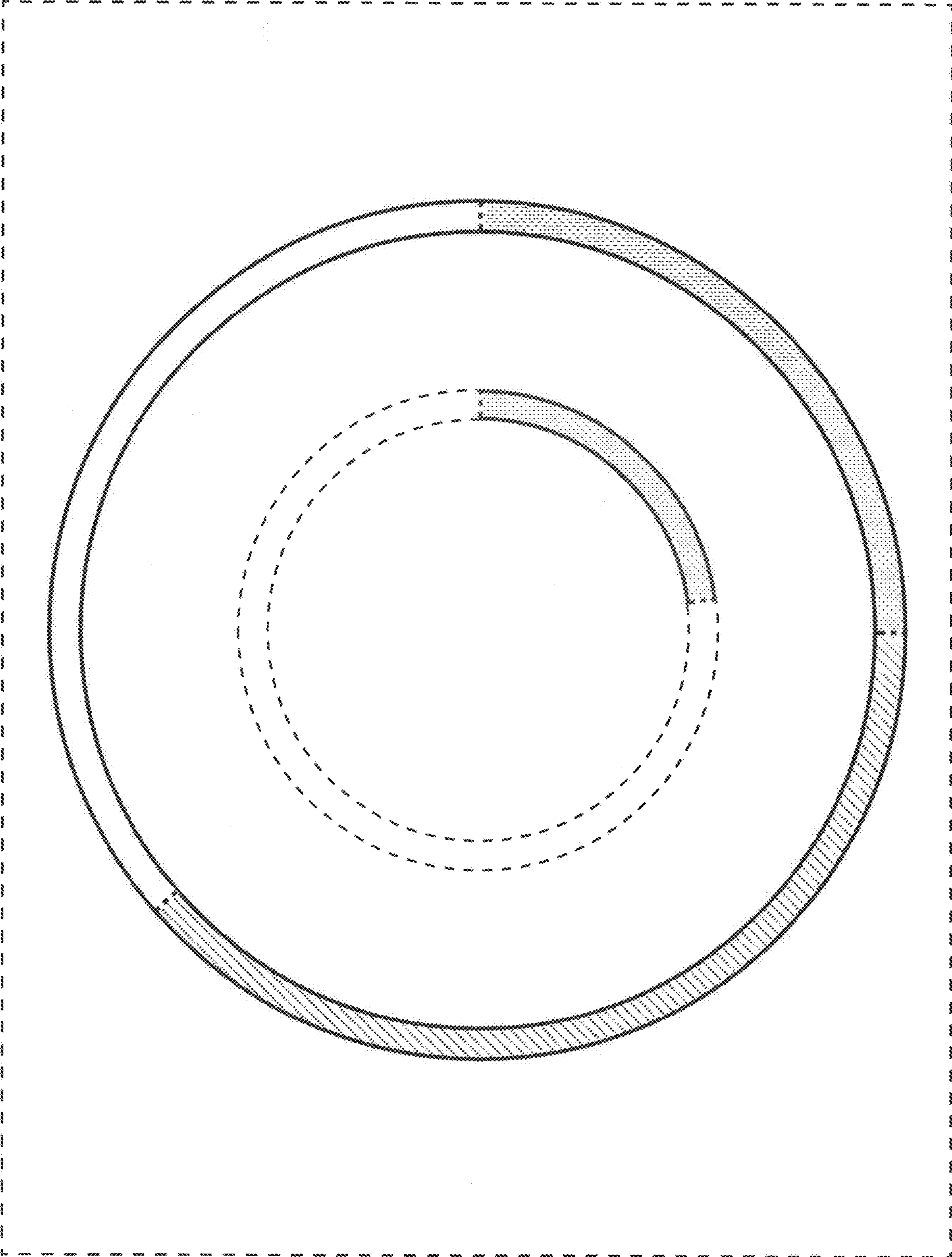


FIG. 10

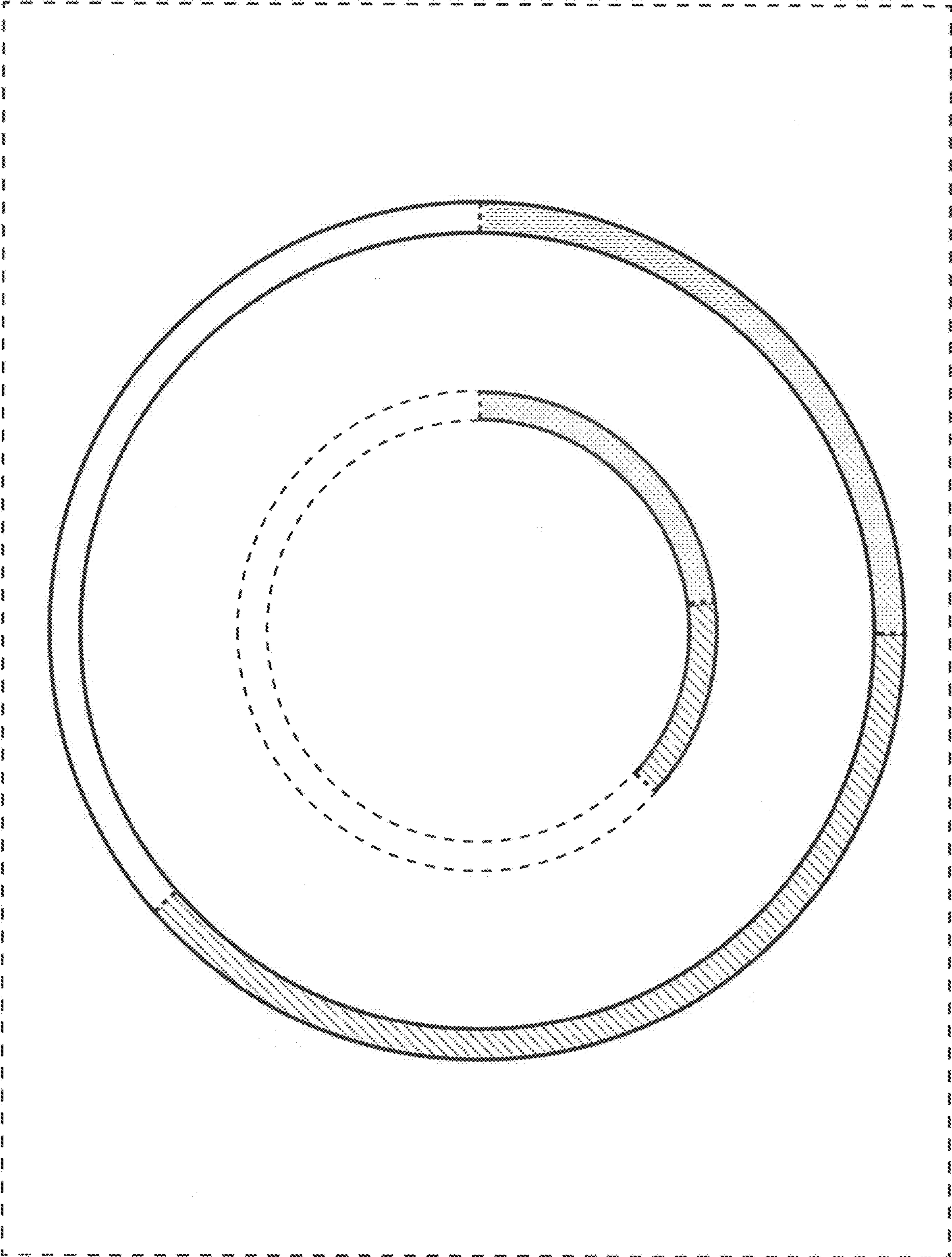


FIG. 11

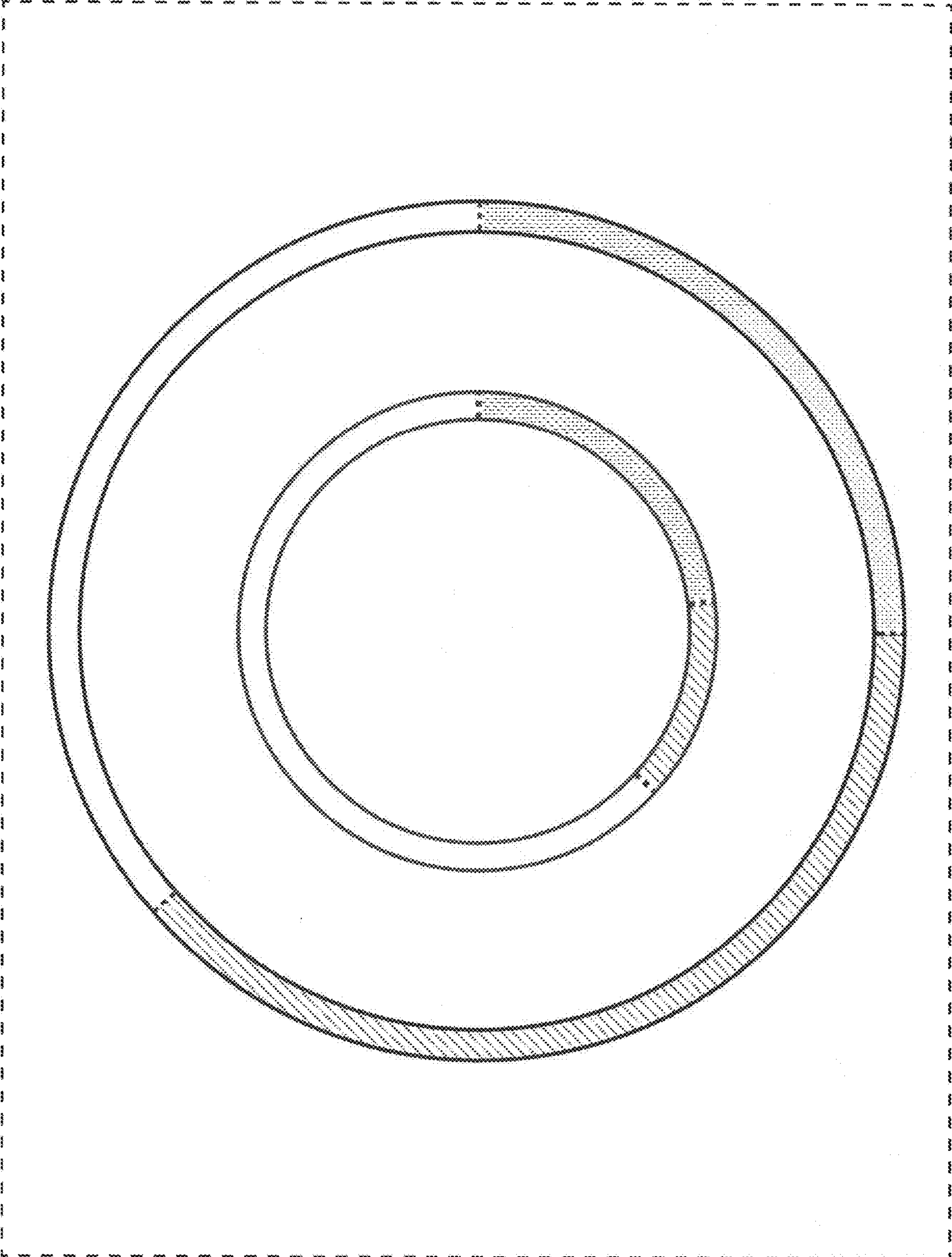


FIG. 12

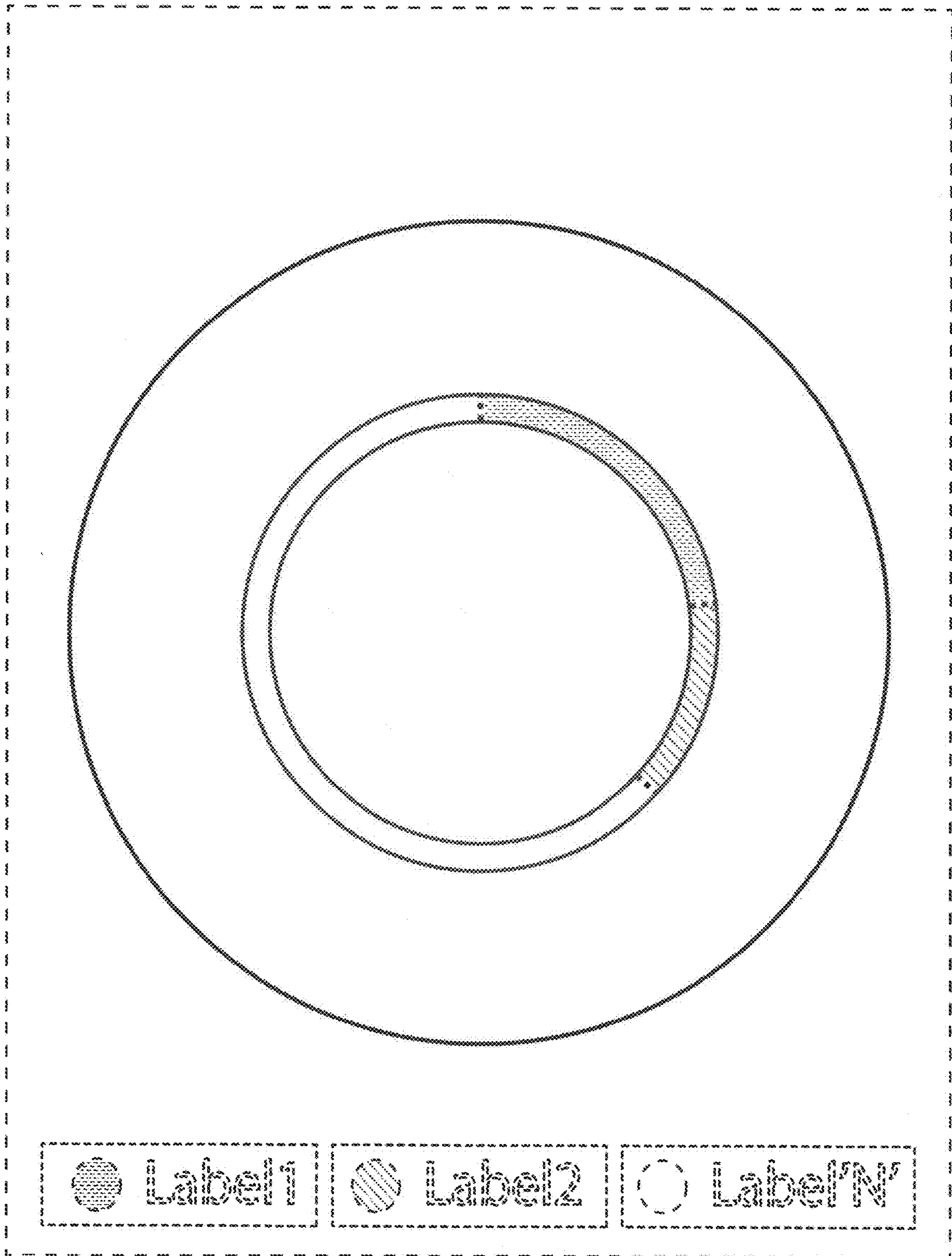


FIG. 13

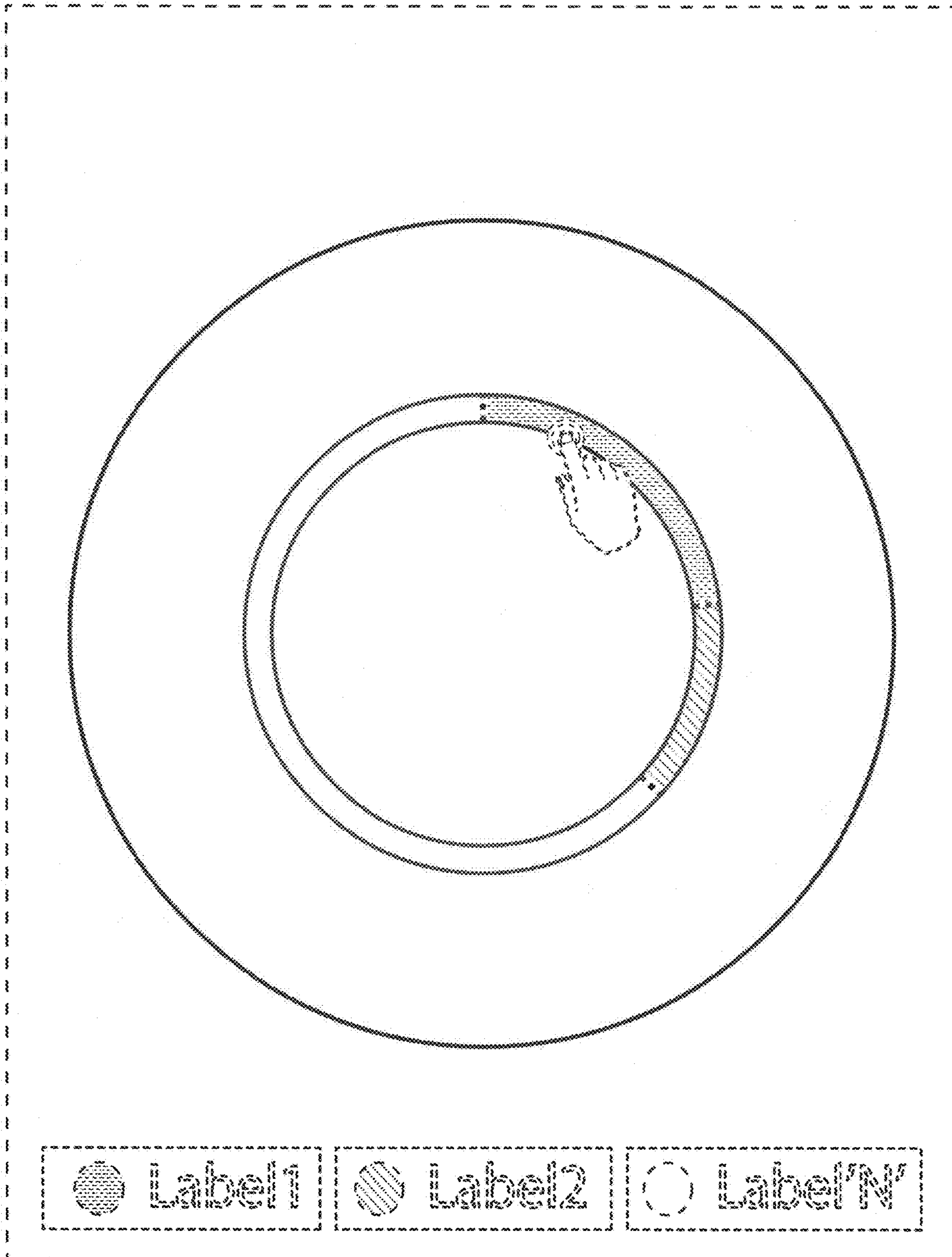


FIG. 14

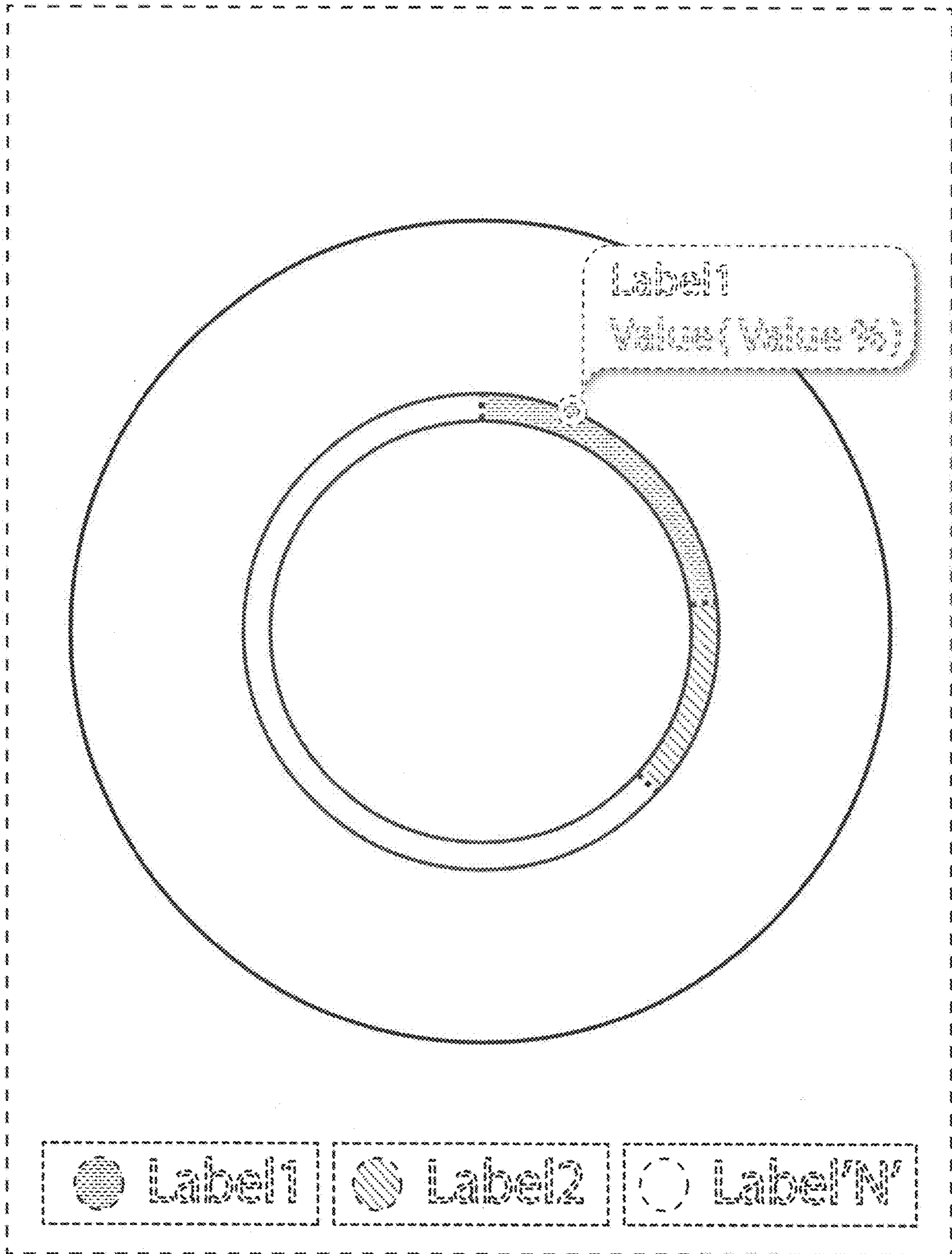


FIG. 15

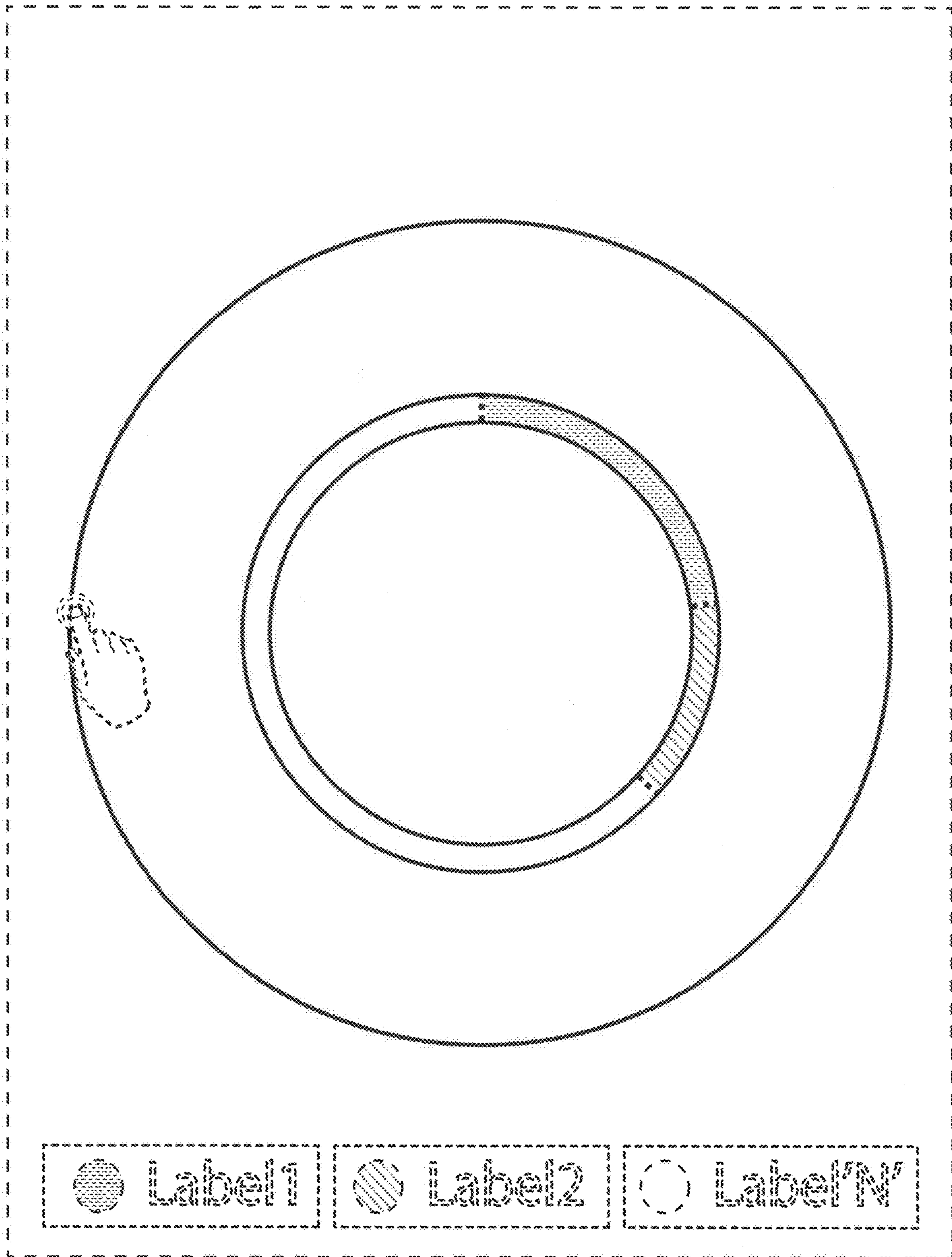


FIG. 16

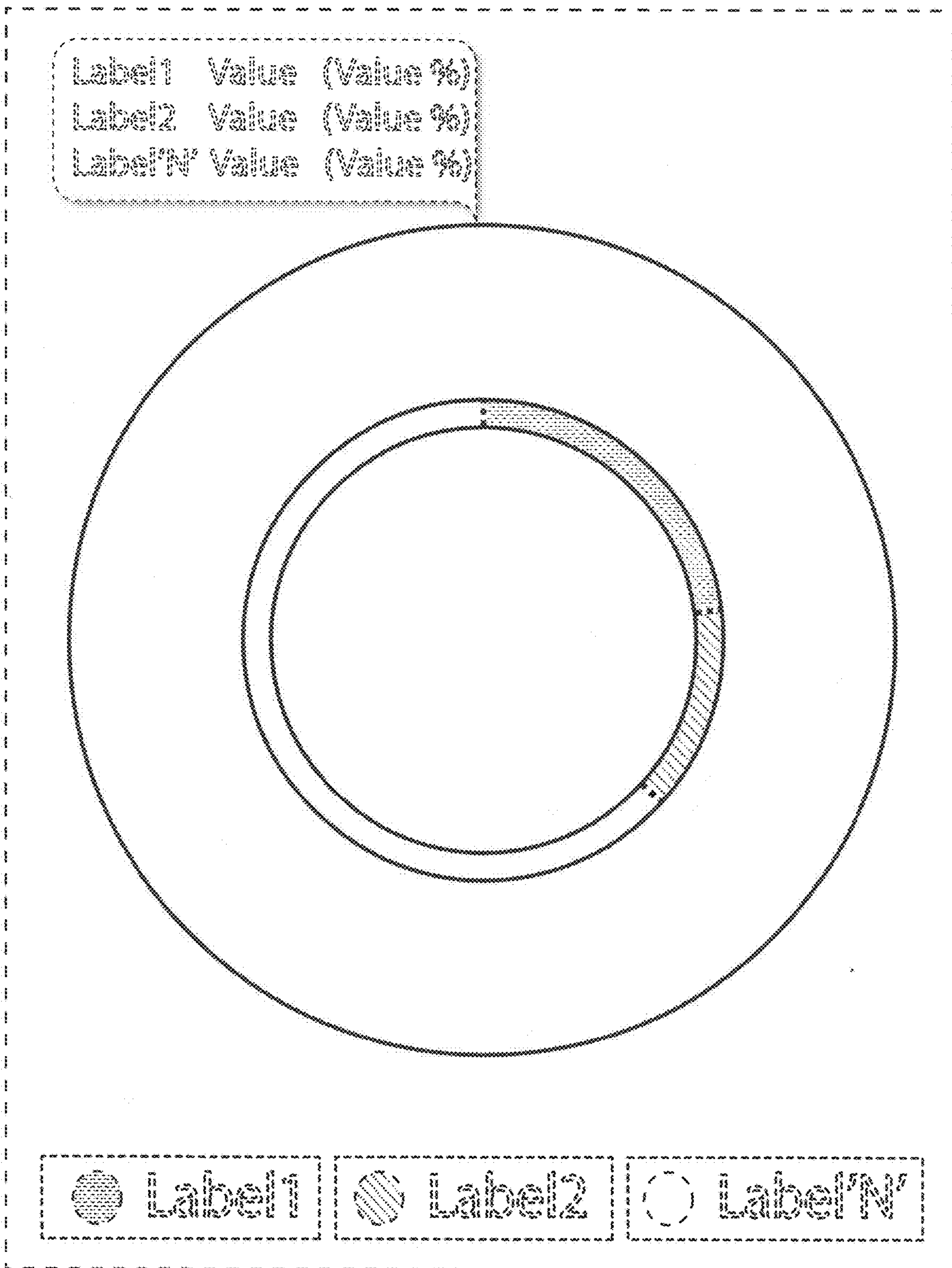


FIG. 17

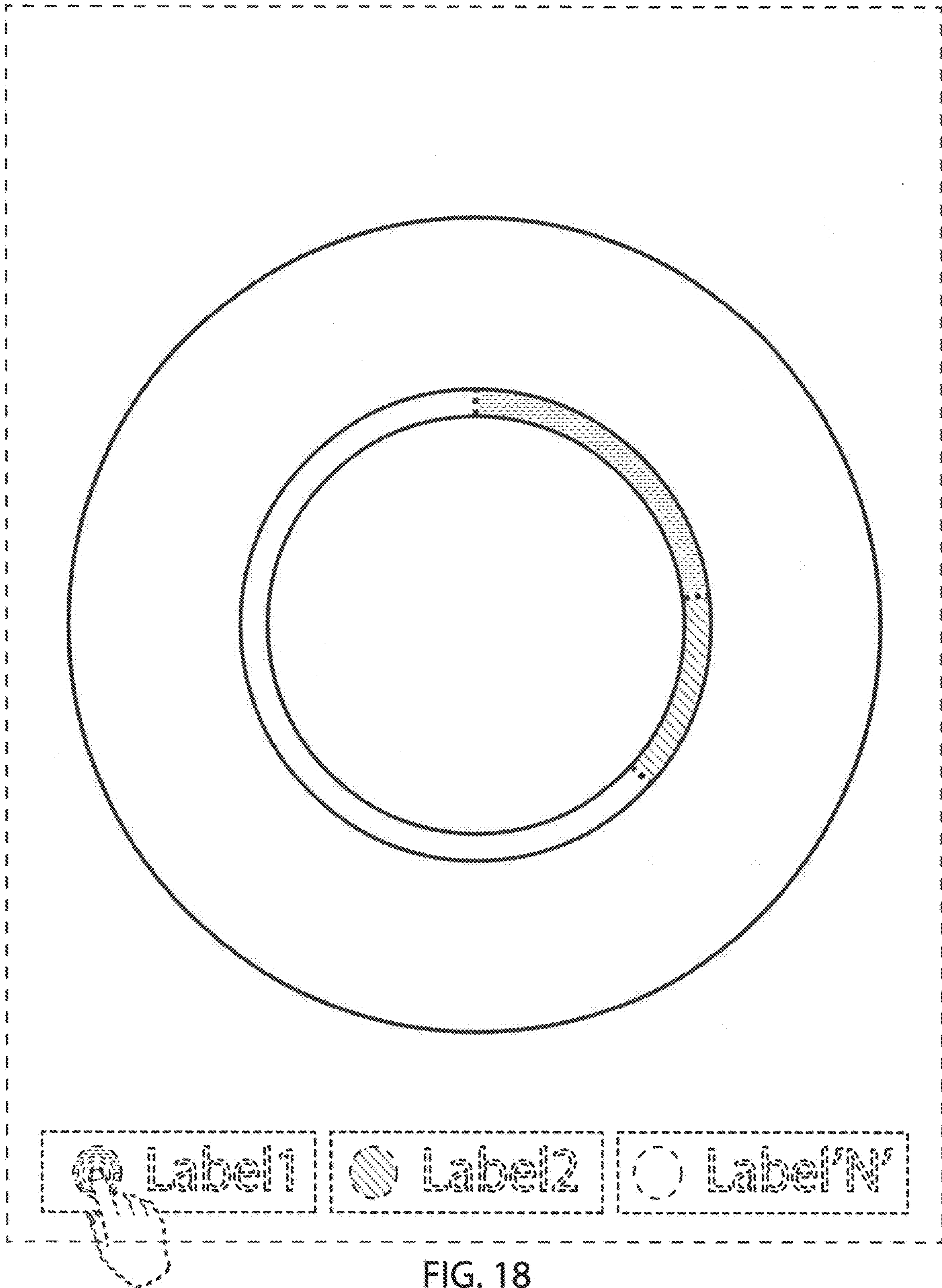


FIG. 18

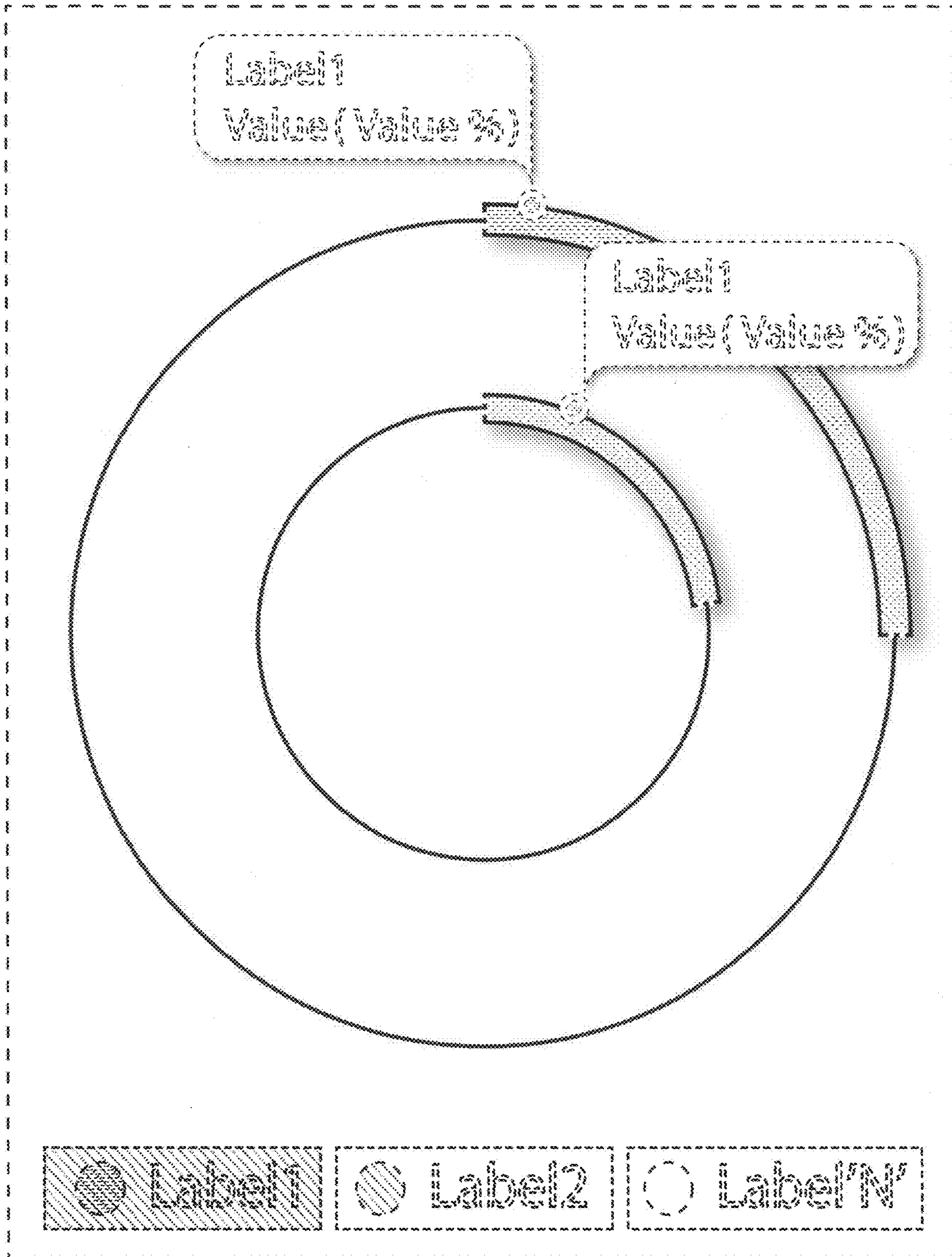


FIG. 19