



US00D924245S

(12) **United States Design Patent**  
**Choi et al.**

(10) **Patent No.:** **US D924,245 S**  
(45) **Date of Patent:** **\*\* Jul. 6, 2021**

(54) **STAND FOR TELEVISION RECEIVER**

FOREIGN PATENT DOCUMENTS

(71) Applicant: **Samsung Electronics Co., Ltd.**,  
Suwon-si (KR)

CN 303415680 S 10/2015  
EM 000899992-0017 4/2008

(Continued)

(72) Inventors: **Gyoo-Sang Choi**, Suwon-si (KR);  
**Bum-Ho Chun**, Suwon-si (KR)

*Primary Examiner* — Katie Jane Stofko  
(74) *Attorney, Agent, or Firm* — McAndrews Held &  
Malloy, Ltd.

(73) Assignee: **SAMSUNG ELECTRONICS CO., LTD.**,  
Suwon-si (KR)

(57) **CLAIM**

(\*\*) Term: **15 Years**

The ornamental design for a stand for television receiver, as shown and described.

(21) Appl. No.: **29/725,715**

**DESCRIPTION**

(22) Filed: **Feb. 26, 2020**

(30) **Foreign Application Priority Data**

Sep. 3, 2019 (KR) ..... 30-2019-0042403

(51) **LOC (13) Cl.** ..... **14-02**

(52) **U.S. Cl.**  
USPC ..... **D14/451**

(58) **Field of Classification Search**  
USPC ..... D14/211, 238, 251, 253, 371–382,  
D14/125–129, 336, 337, 447, 448, 451,  
D14/452, 492, 450, 239; 341/12;  
345/104, 156, 168, 173; 348/180, 184,  
348/325, 739; 349/1, 2, 11, 62;  
361/679.05–679.07, 679.21; D6/300,  
D6/310–313, 308, 708

CPC ..... F16M 13/02; F16M 13/00; F16M 11/10;  
F16M 11/04; F16M 2200/08; F16M  
11/2021; A47B 21/0314; A47B 88/044;

(Continued)

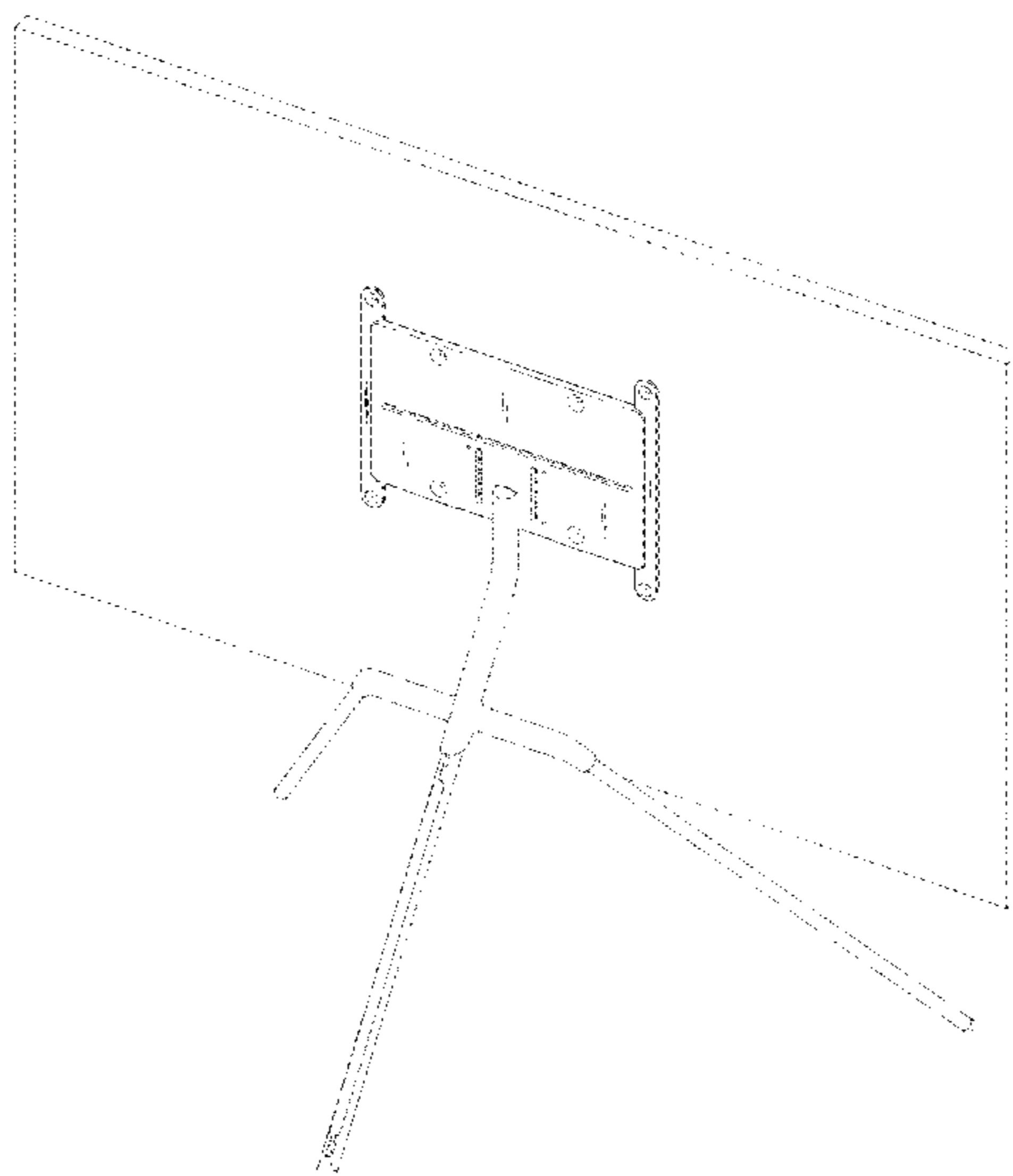
(56) **References Cited**

U.S. PATENT DOCUMENTS

D517,085 S \* 3/2006 Deuschle ..... D14/451  
D528,901 S \* 9/2006 David ..... D8/373

(Continued)

**1 Claim, 11 Drawing Sheets**



(58) **Field of Classification Search**

CPC ..... A47B 2021/0335; F16B 47/00; F16B  
47/006; H02G 3/126; A47G 1/17; A47K  
2201/00

See application file for complete search history.

(56) **References Cited**

U.S. PATENT DOCUMENTS

D538,140	S	*	3/2007	Ly Hau	.....	D8/373
D539,637	S	*	4/2007	Ly Hau	.....	D8/373
D560,673	S	*	1/2008	Muday	.....	D14/451
D560,677	S	*	1/2008	Wohlford	.....	D14/451
D561,189	S	*	2/2008	Wohlford	.....	D14/451
D563,962	S	*	3/2008	Grey	.....	D14/452
D635,130	S	*	3/2011	Skull	.....	D14/239
D677,263	S	*	3/2013	Luijben	.....	D14/451
D848,990	S	*	5/2019	Pei	.....	D14/239
D878,266	S	*	3/2020	Perry	.....	D12/193
D905,070	S	*	12/2020	Pei	.....	D14/451

FOREIGN PATENT DOCUMENTS

KR	300659444	9/2012
KR	300751779	7/2014
KR	300881331	11/2016

\* cited by examiner

FIG. 1

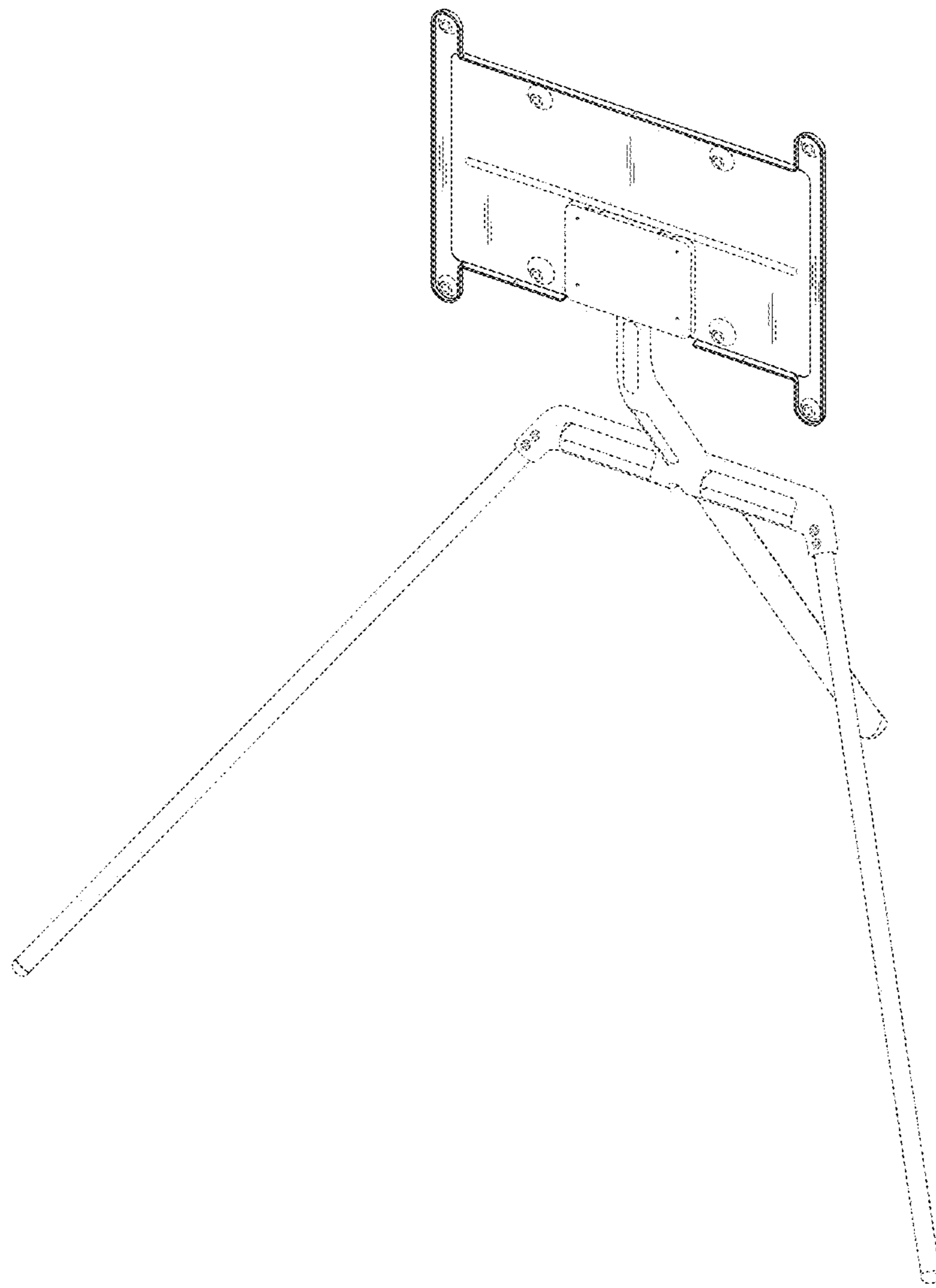


FIG. 2

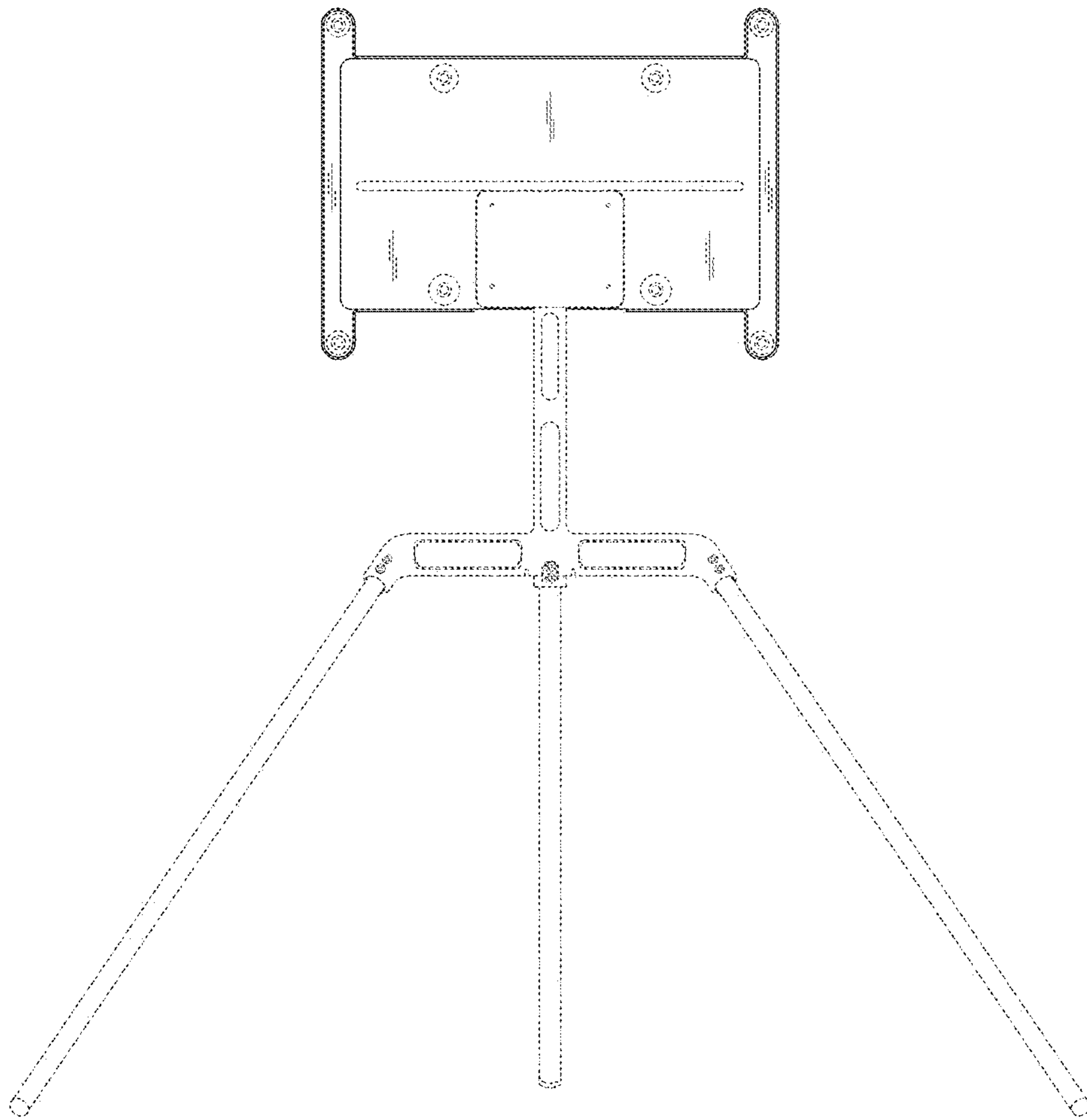


FIG. 3

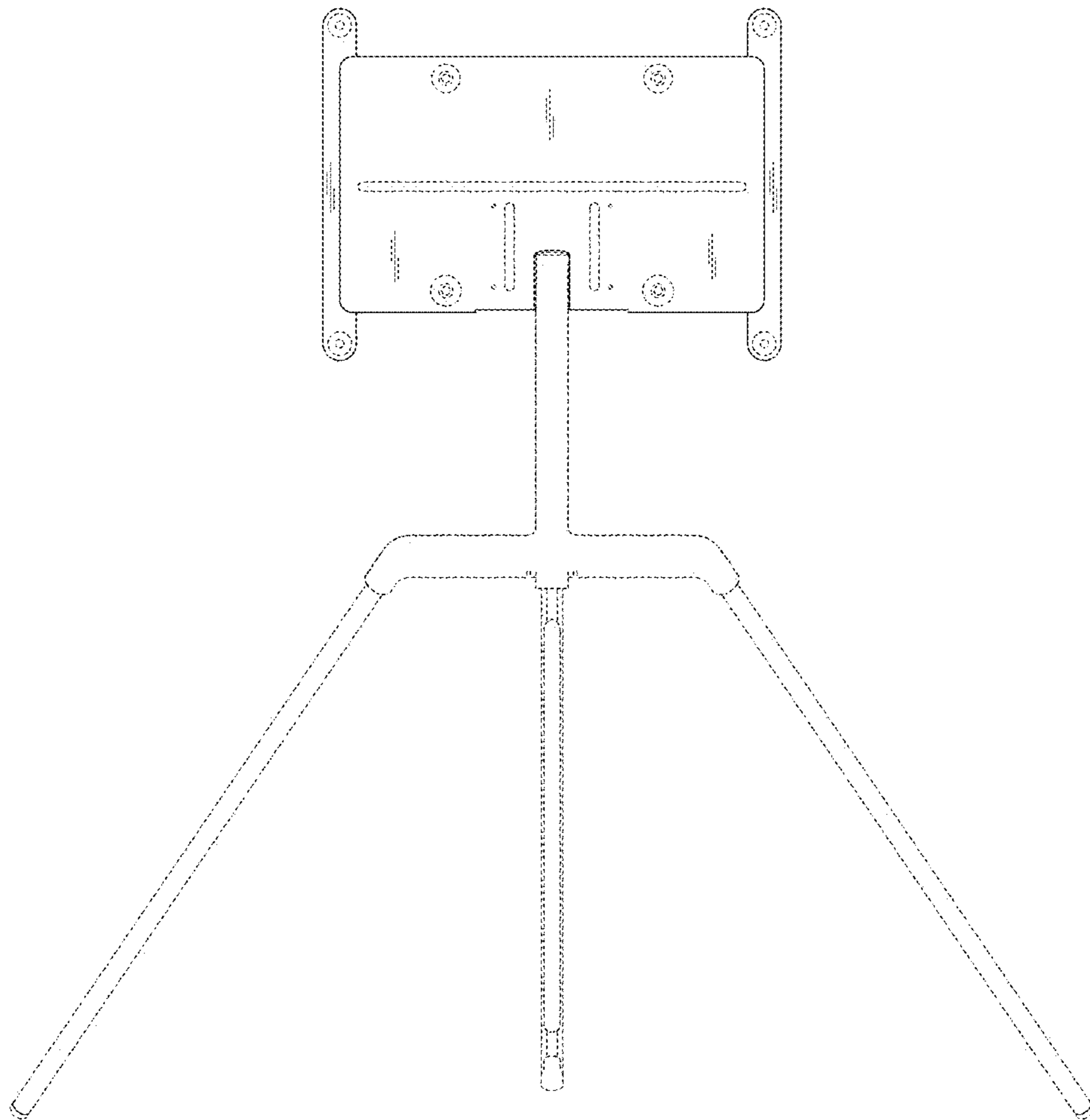


FIG. 4

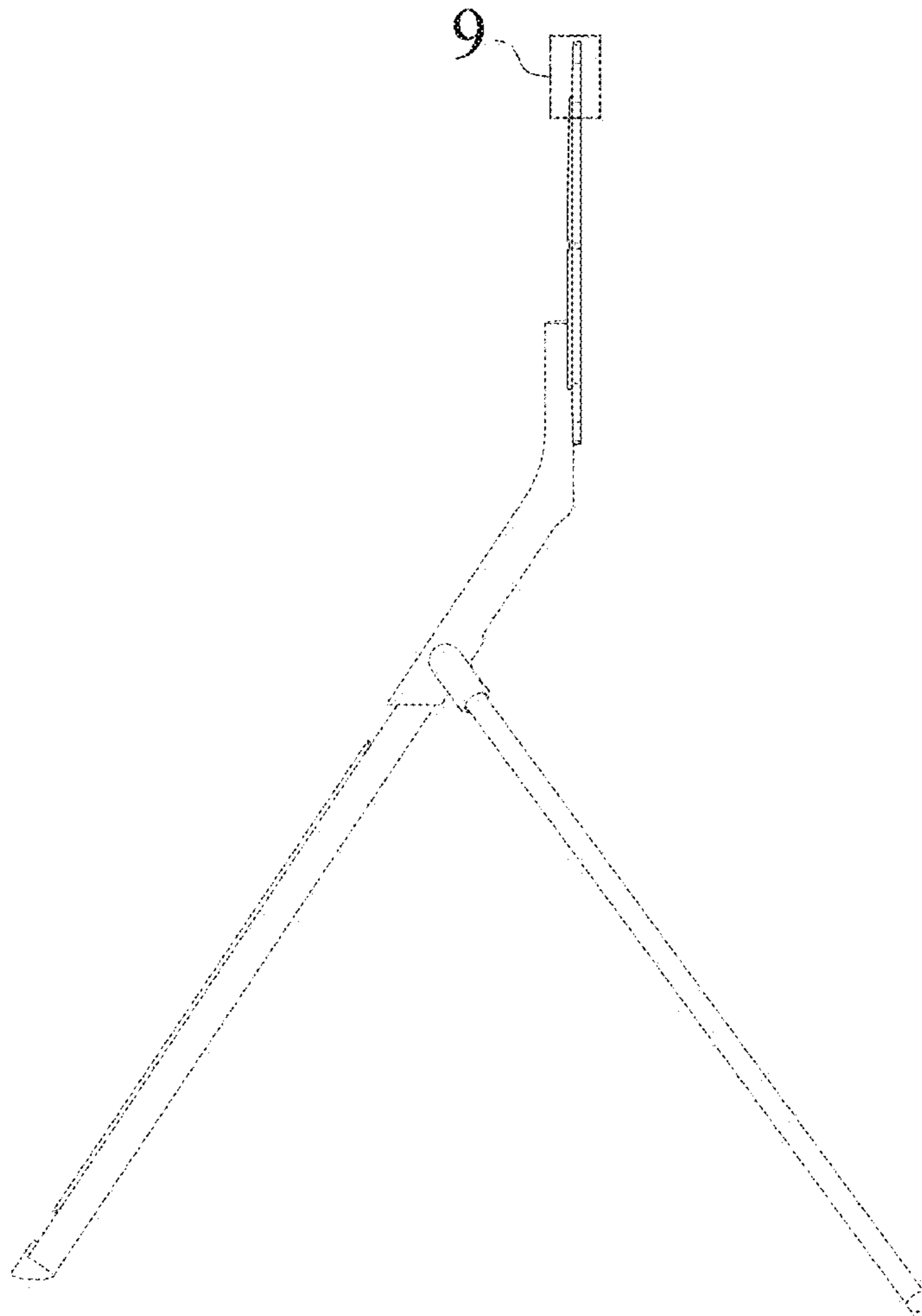


FIG. 5

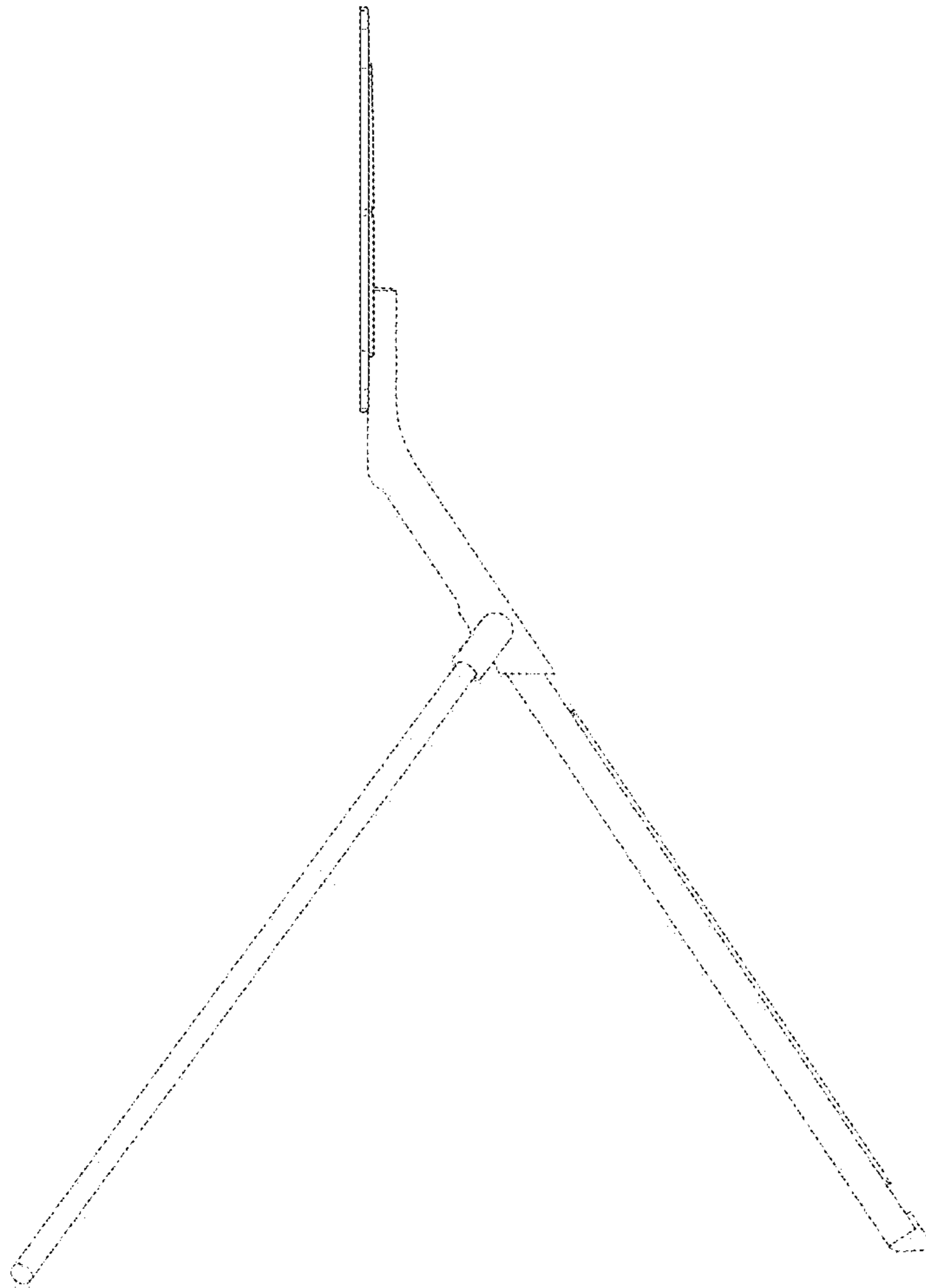


FIG. 6

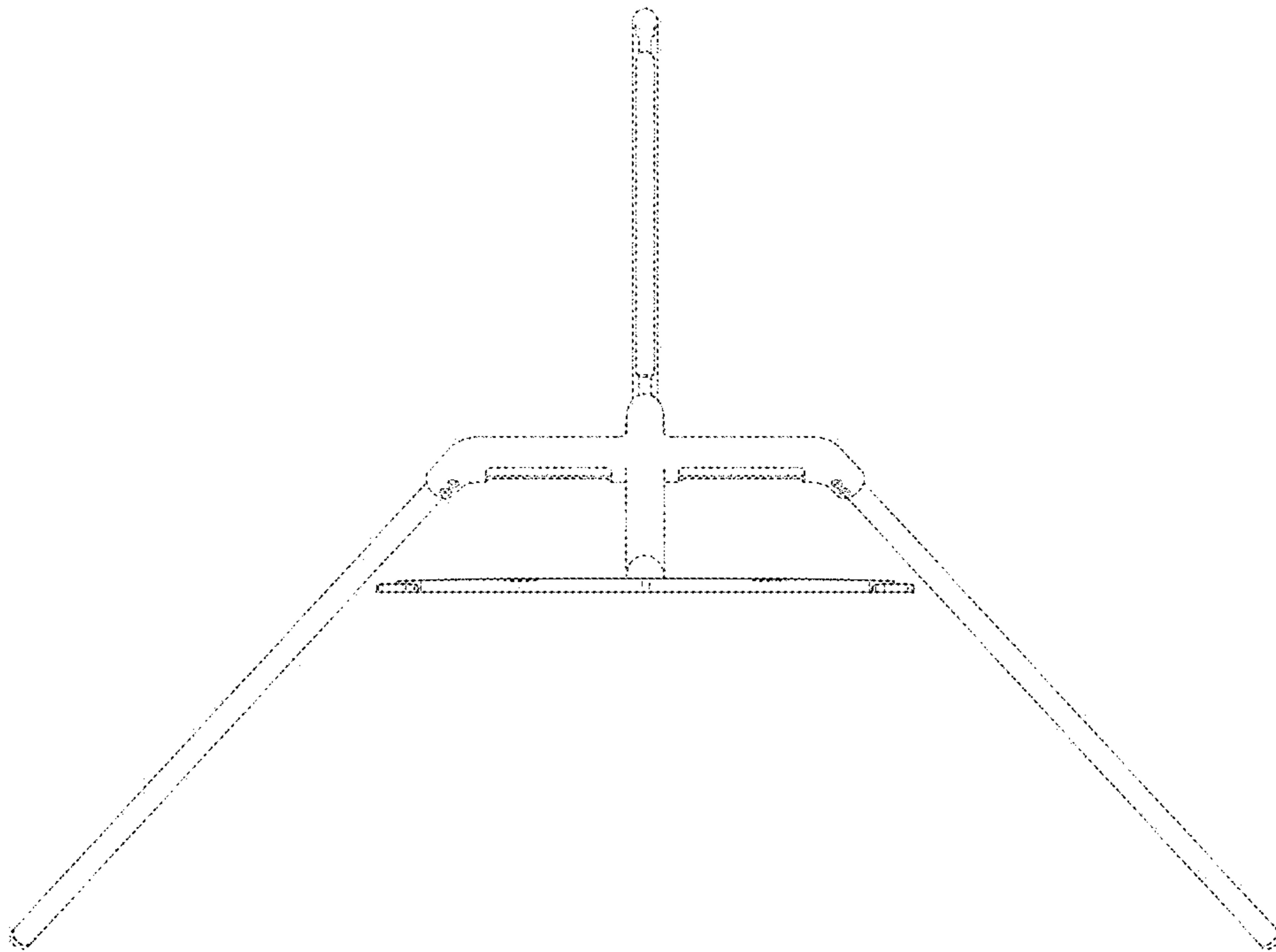




FIG. 7

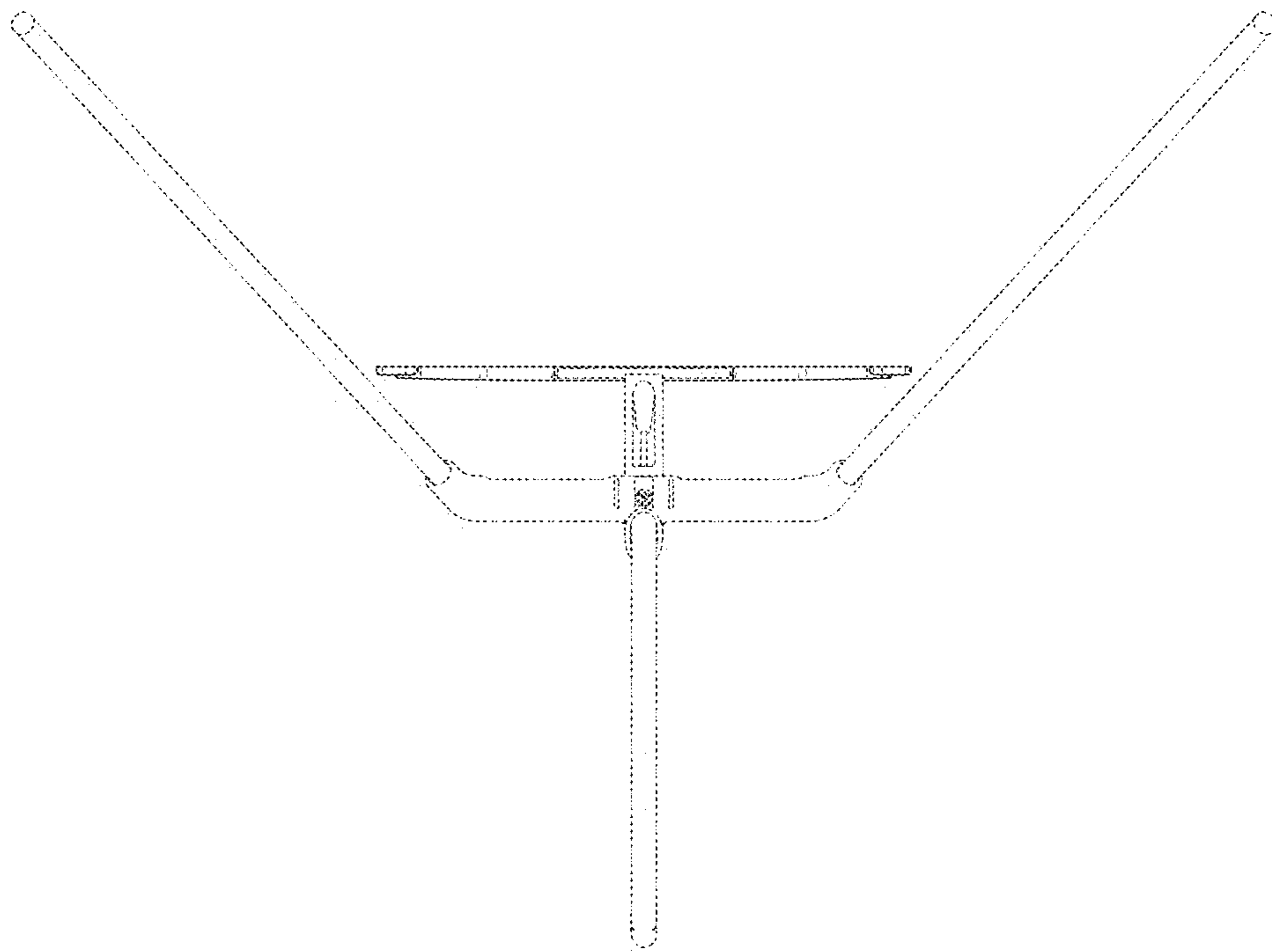


FIG. 8

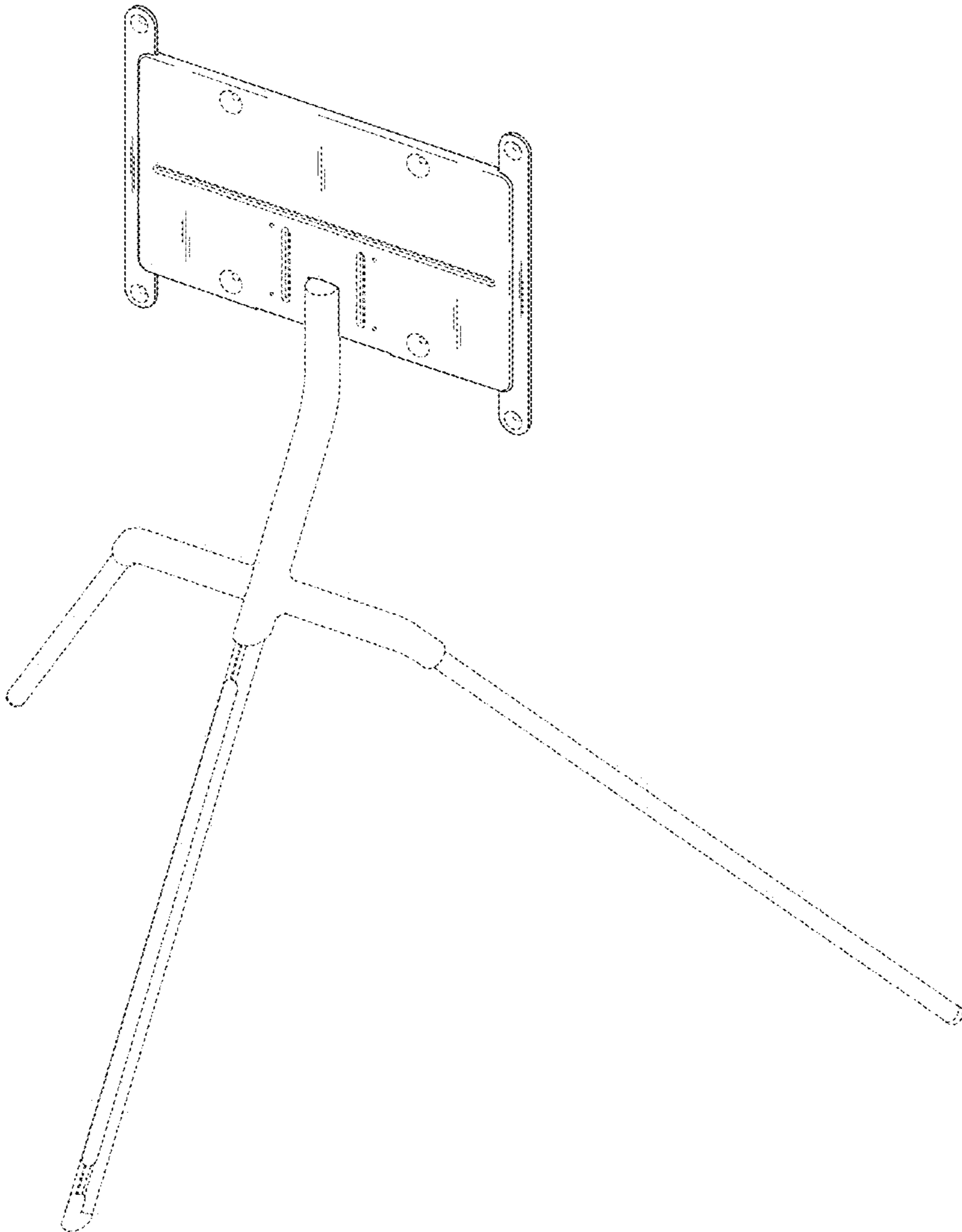


FIG. 9

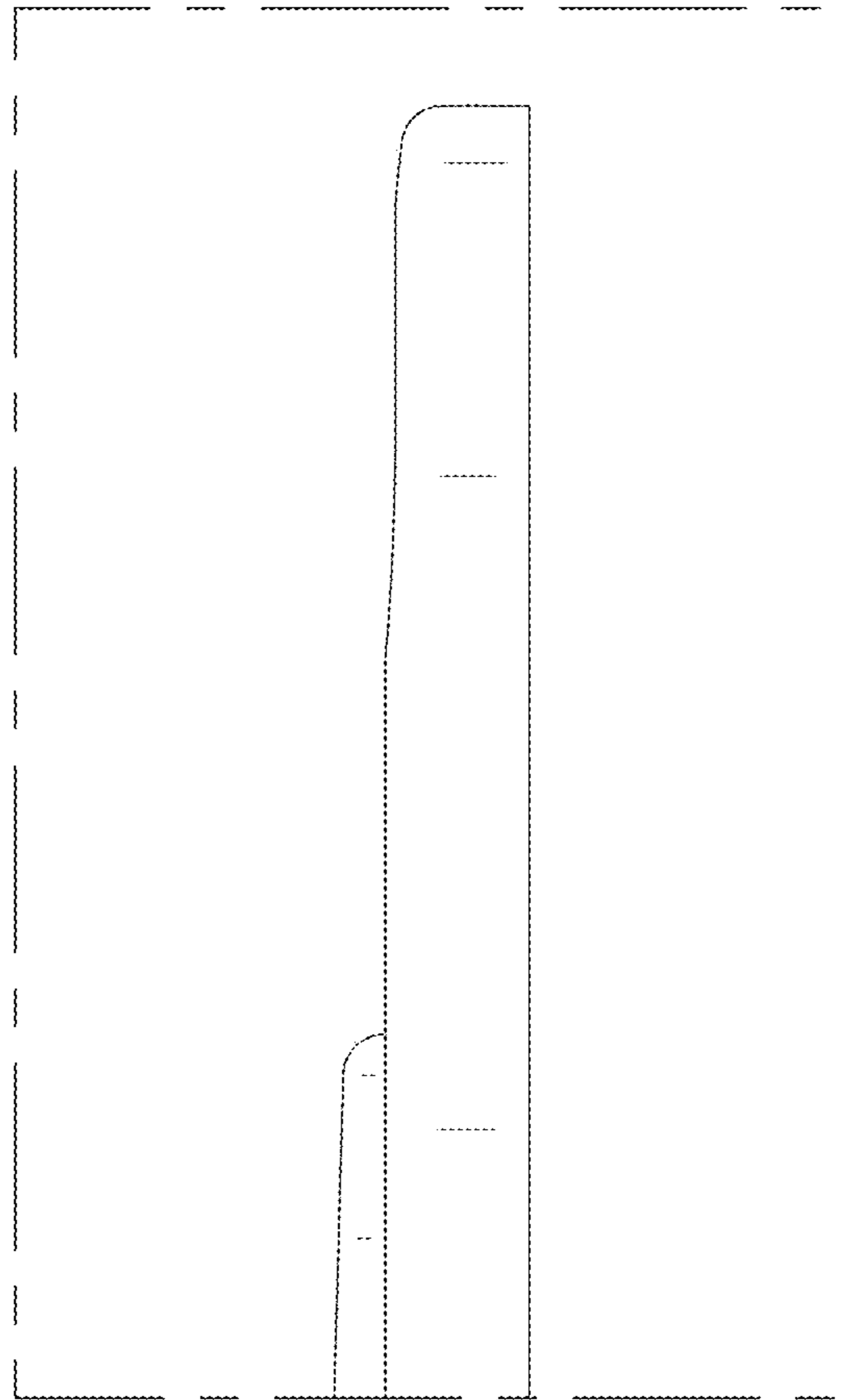


FIG. 10

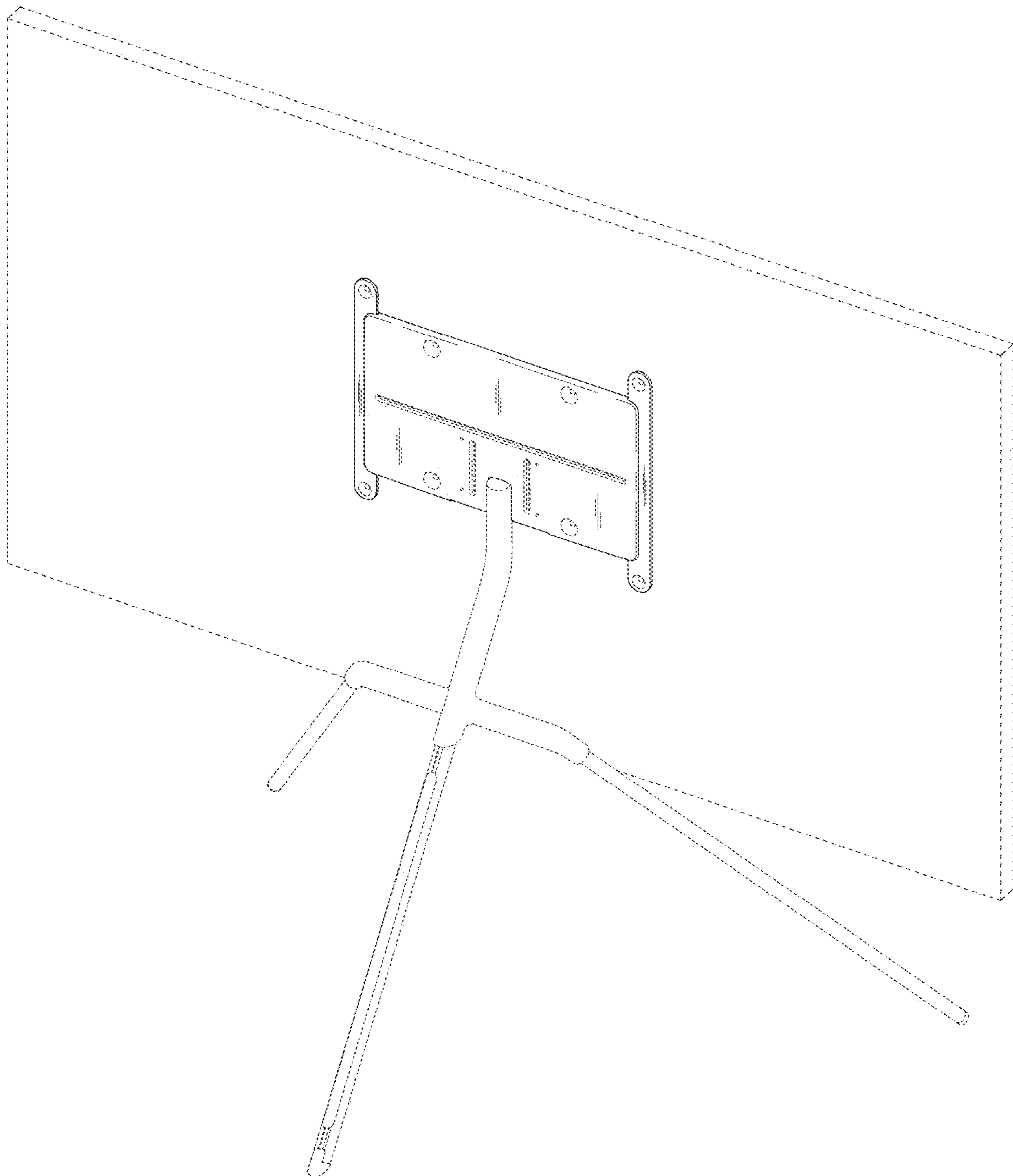


FIG. 11

