



US00D924239S

(12) **United States Design Patent**
Yang et al.

(10) **Patent No.:** **US D924,239 S**
(45) **Date of Patent:** **** Jul. 6, 2021**

(54) **DOCKING STATION**

(71) Applicant: **Shenzhen Velocity Technology Innovations Co., Ltd., Shenzhen (CN)**

(72) Inventors: **Jiahao Yang, Shenzhen (CN); Zhiqiang Gong, Shenzhen (CN)**

(73) Assignee: **SHENZHEN VELOCITY TECHNOLOGY INNOVATIONS CO., LTD., Shenzhen (CN)**

(**) Term: **15 Years**

(21) Appl. No.: **29/731,704**

(22) Filed: **Apr. 17, 2020**

(51) **LOC (13) Cl.** **14-02**

(52) **U.S. Cl.**
USPC **D14/434**

(58) **Field of Classification Search**
USPC ... D14/434, 432, 433, 435, 435.1, 356, 357, D14/358, 251–253, 217, 299, 496, 169; D13/103, 107, 108, 184, 110, 123, 133, D13/135, 179; D21/324, 332, 333
CPC G06F 1/16; G06F 1/1632; G06F 1/266; G06F 13/00; G06F 13/38; G06F 13/382; G06F 13/385; G06F 13/387; G06F 3/065; G06F 9/541; G06F 2213/3814; G06F 2213/40; G06F 2213/4004
See application file for complete search history.

(56) **References Cited**

U.S. PATENT DOCUMENTS

D661,249 S *	6/2012	Smith	D13/110
D693,798 S *	11/2013	Chuang	D14/240
D697,865 S *	1/2014	Saito	D13/103
D720,687 S *	1/2015	Hasbrook	D13/103
D728,467 S *	5/2015	Hasbrook	D13/103
D733,043 S *	6/2015	Hasbrook	D13/108
D789,935 S *	6/2017	Zheng	D14/433
D798,811 S *	10/2017	Liao	D13/110

D821,983 S *	7/2018	Shah	D13/168
D828,356 S *	9/2018	Xie	D14/433
D828,839 S *	9/2018	Zhang	D14/433
D828,840 S *	9/2018	Zhang	D14/433
D828,841 S *	9/2018	Zhang	D14/433
D838,241 S *	1/2019	Xie	D14/434
D841,010 S *	2/2019	Kong	D14/435.1

(Continued)

FOREIGN PATENT DOCUMENTS

EM 004032951-0006 * 6/2017

Primary Examiner — Marie D. Fast Horse

(74) *Attorney, Agent, or Firm* — IPro, PLLC

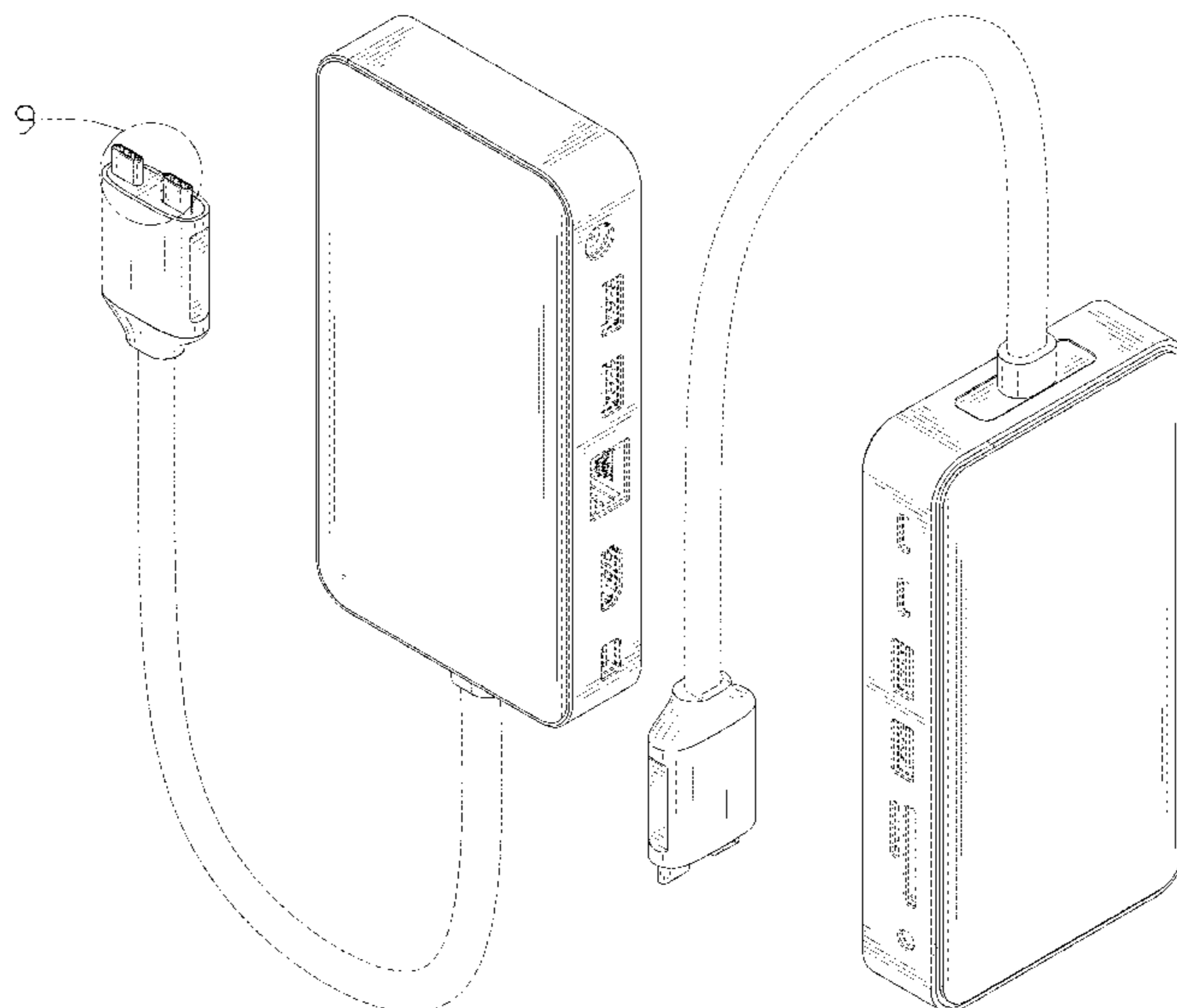
(57) **CLAIM**

The ornamental design for a docking station, as shown and described.

DESCRIPTION

FIG. 1 is a perspective view of a docking station showing our new design;
 FIG. 2 is a perspective view viewed from another angle thereof;
 FIG. 3 is a front elevation view thereof;
 FIG. 4 is a rear elevation view thereof;
 FIG. 5 is a left side elevation view thereof;
 FIG. 6 is a right side elevation view thereof;
 FIG. 7 is a top plan view thereof;
 FIG. 8 is a bottom plan view thereof; and,
 FIG. 9 is an enlarged view of a circled part of FIG. 1.
 The broken lines consisting of uniform dashes depict portions of the docking station that form no part of the claimed design.
 The broken lines consisting of a long dash and a short dash depict reference to the enlargements shown in the figures and form no part of the claim.
 And shading and cross-hatching are not features of the design but are utilized to illustrate the surface contours of the docking station in the drawings.

1 Claim, 9 Drawing Sheets



(56)

References Cited

U.S. PATENT DOCUMENTS

D847,139	S	*	4/2019	Wang	D14/433
D854,020	S	*	7/2019	Liao	D14/434
D879,779	S	*	3/2020	Liao	D14/433
D879,781	S	*	3/2020	Zhang	D14/433
D880,481	S	*	4/2020	Liao	D14/433
D880,483	S	*	4/2020	Fan	D14/434
D885,339	S	*	5/2020	Duan	D14/433
D886,825	S	*	6/2020	Zhang	D14/433
D892,801	S	*	8/2020	Liu	D14/434
D894,190	S	*	8/2020	Zhang	D14/433
D896,185	S	*	9/2020	Turksu	D14/433
D896,220	S	*	9/2020	Wu	D14/434
D896,814	S	*	9/2020	Zhang	D14/433
D902,211	S	*	11/2020	Jiang	D14/433
D904,411	S	*	12/2020	Zhang	D14/433
D905,063	S	*	12/2020	Liu	D14/434
D908,095	S	*	1/2021	Turksu	D14/433
D910,578	S	*	2/2021	Turksu	D14/433
D911,346	S	*	2/2021	Turksu	D14/433
D912,056	S	*	3/2021	Liao	D14/433
D916,093	S	*	4/2021	Liao	D14/433
D916,705	S	*	4/2021	Liao	D14/433
D918,917	S	*	5/2021	Wu	D14/433
D918,918	S	*	5/2021	Wu	D14/433

* cited by examiner

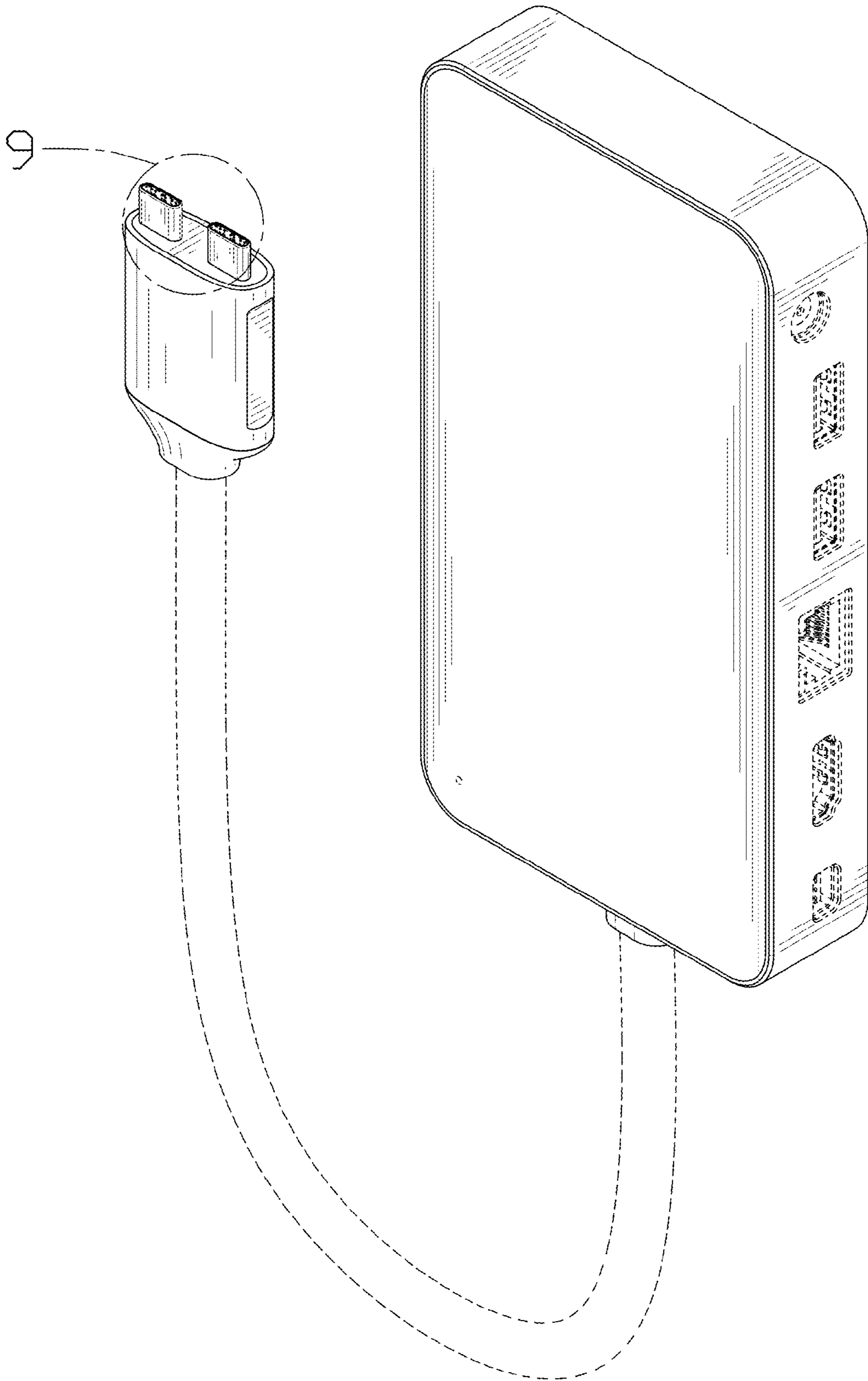


FIG. 1

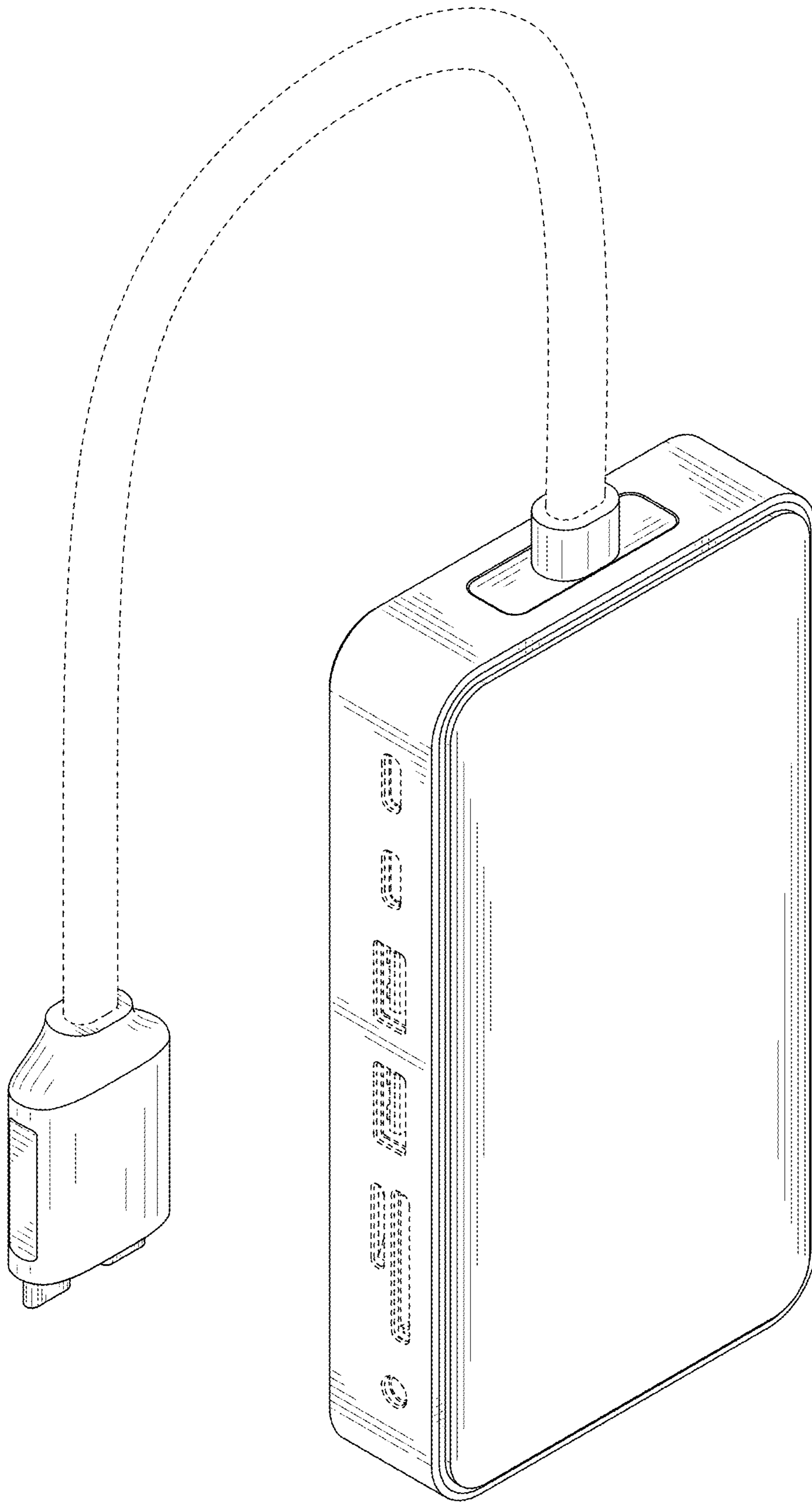


FIG. 2

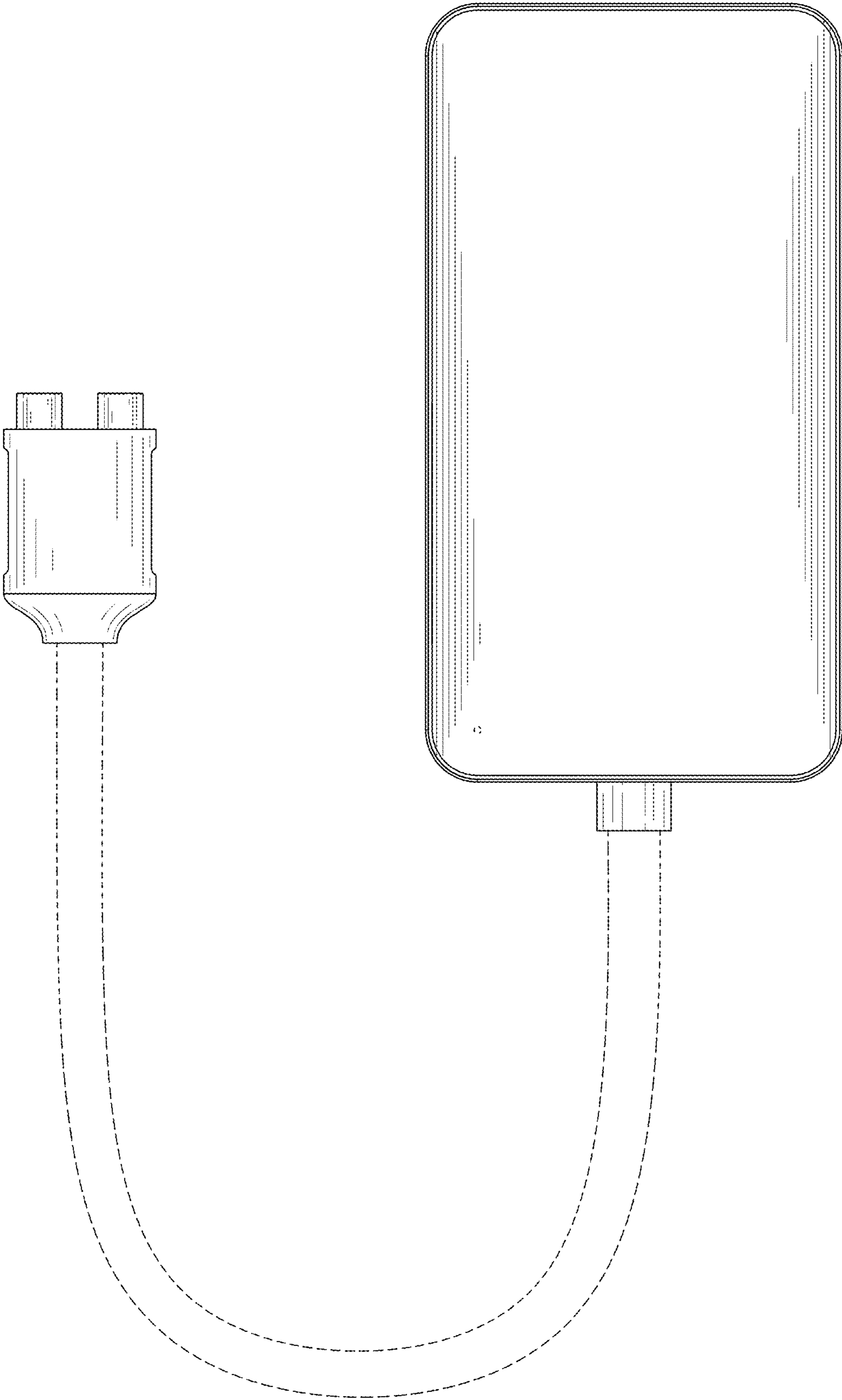


FIG. 3

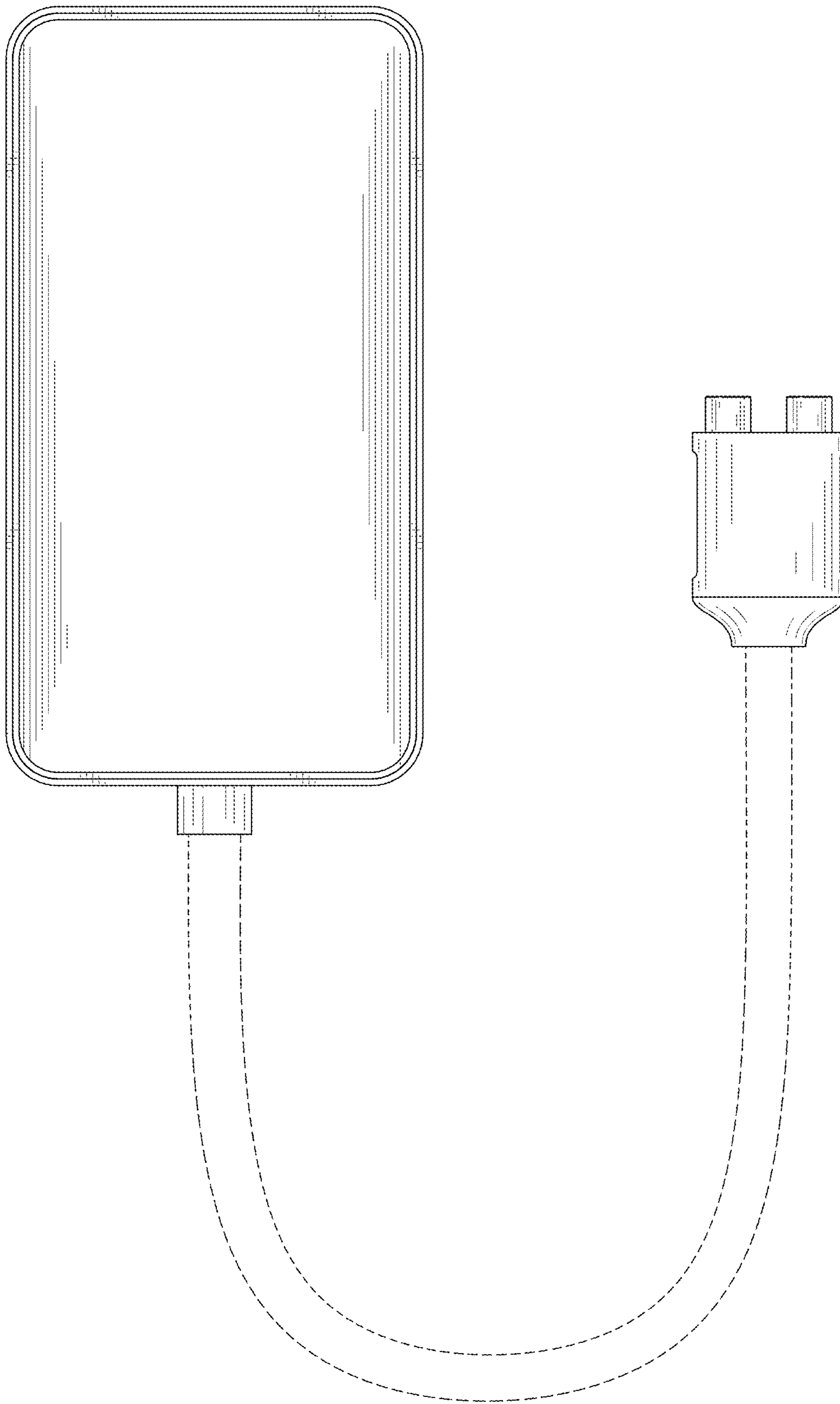


FIG. 4

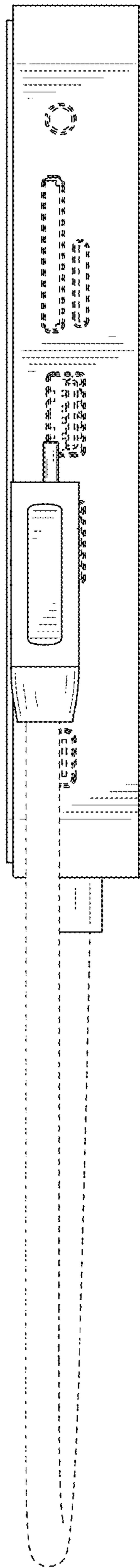


FIG. 5

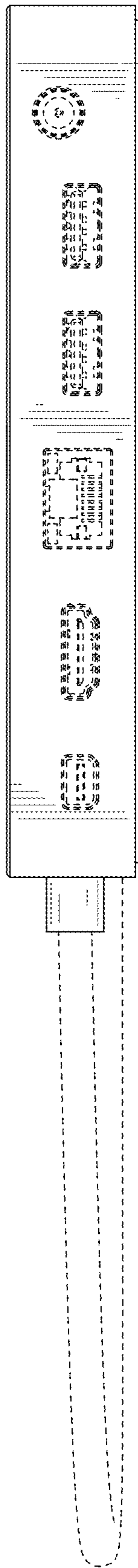


FIG. 6

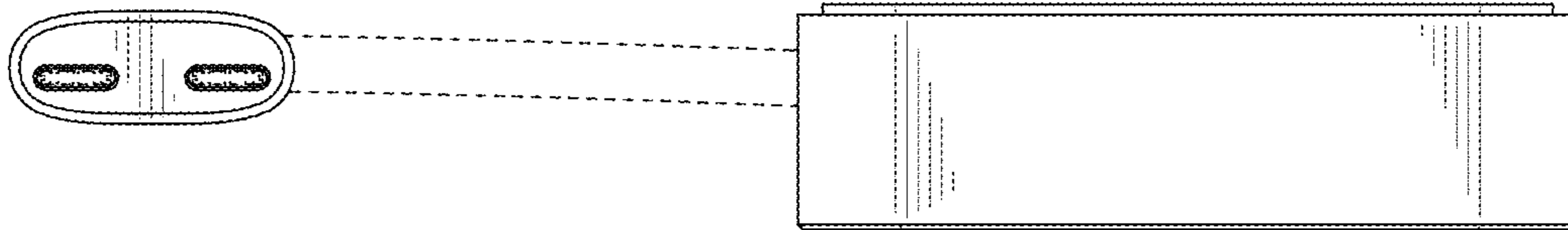


FIG. 7

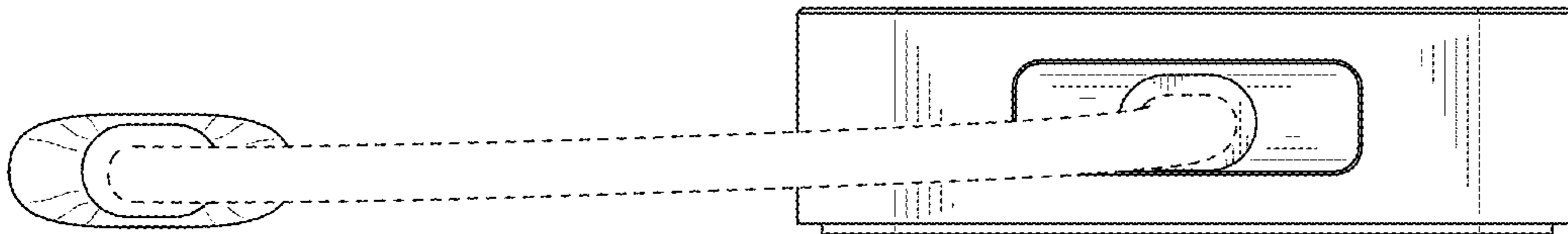


FIG. 8

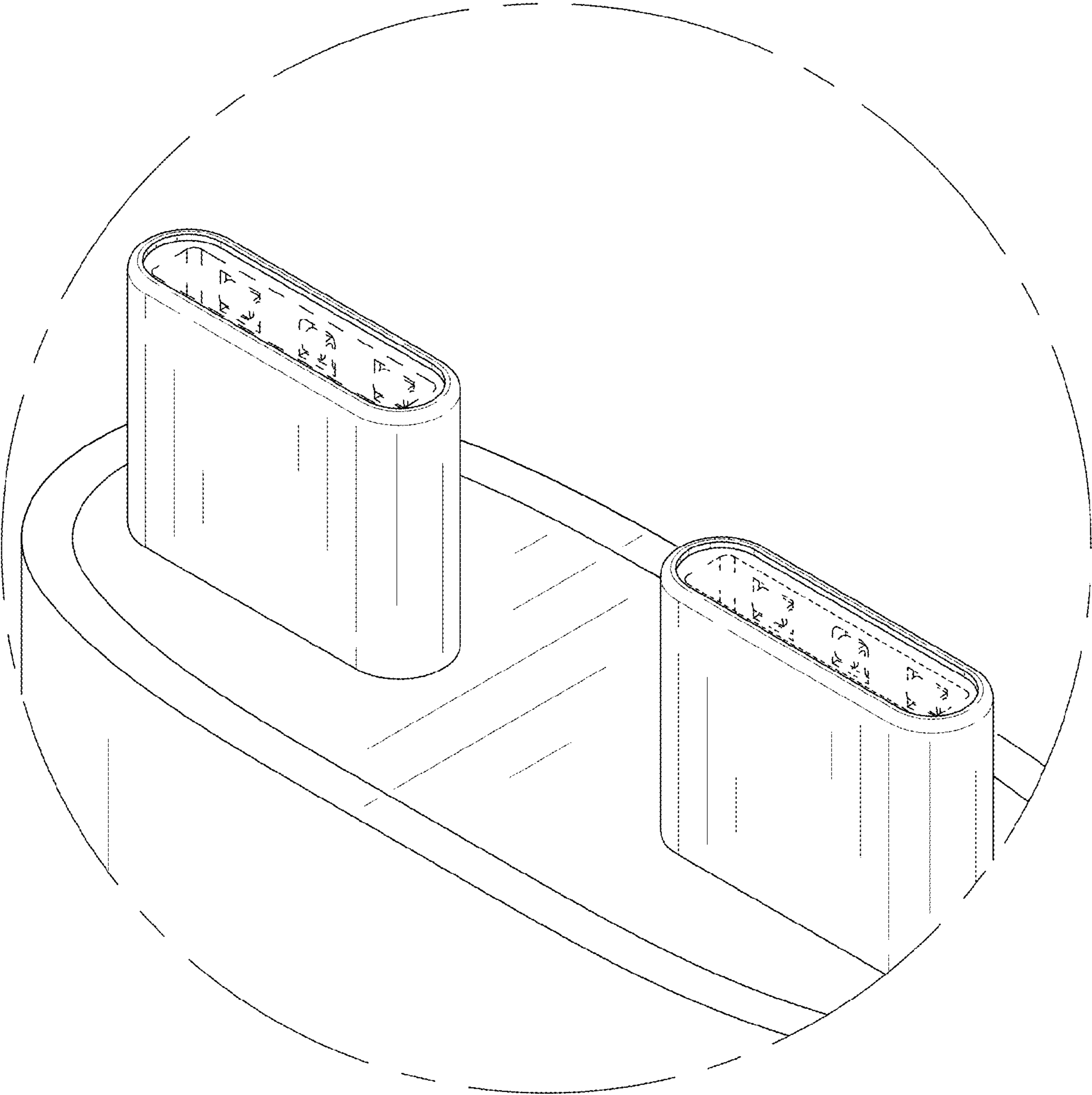


FIG. 9