



US00D924237S

(12) **United States Design Patent** (10) **Patent No.:** **US D924,237 S**  
**Daugirdas et al.** (45) **Date of Patent:** **\*\* Jul. 6, 2021**

(54) **MOUNTED DISPLAY SCREEN**

*Primary Examiner* — Kathleen L Jones

(71) Applicant: **General Electric Company**,  
Schenectady, NY (US)

(74) *Attorney, Agent, or Firm* — McCoy Russell LLP

(72) Inventors: **Kristofer Daugirdas**, Salt Lake City,  
UT (US); **Naveen Stephan Chandra**,  
Salt Lake City, UT (US)

(57) **CLAIM**

The ornamental design for a mounted display screen, as shown and described.

(73) Assignee: **GENERAL ELECTRIC COMPANY**,  
Schenectady, NY (US)

**DESCRIPTION**

(\*\*) Term: **15 Years**

FIG. 1 is a rear view of a mounted display screen according to the present invention.

(21) Appl. No.: **29/671,089**

FIG. 2 is an enlarged rear view of the mounted display screen.

(22) Filed: **Nov. 21, 2018**

FIG. 3 is a front view of the mounted display screen.

(51) **LOC (13) Cl.** ..... **14-02**

FIG. 4 is an enlarged front view of the mounted display screen.

(52) **U.S. Cl.**

USPC ..... **D14/375; D24/185**

FIG. 5 is a right side view of the mounted display screen.

(58) **Field of Classification Search**

USPC ..... D14/334–337, 371, 374–382, 126–129,  
D14/314, 451–452, 457, 447–448,  
(Continued)

FIG. 6 is an enlarged right side view of the mounted display screen.

(56) **References Cited**

**U.S. PATENT DOCUMENTS**

D487,893 S \* 3/2004 Jobs ..... D14/337  
D489,370 S \* 5/2004 Jobs ..... D14/337

FIG. 7 is a left side view of the mounted display screen.

FIG. 8 is a top view of the mounted display screen.

FIG. 9 is an enlarged top view of the mounted display screen.

FIG. 10 is a bottom view of the mounted display screen.

FIG. 11 is a rear view of the mounted display screen of FIG. 1 in an alternate position of use, with the display screen in a vertical configuration.

FIG. 12 is an enlarged rear view of the mounted display screen in the alternate position of use of FIG. 11.

FIG. 13 is a front view of the mounted display screen in the alternate position of use of FIG. 11.

FIG. 14 is an enlarged front view of the mounted display screen in the alternate position of use of FIG. 11.

FIG. 15 is a right side view of the mounted display screen in the alternate position of use of FIG. 11.

FIG. 16 is an enlarged right side view of the mounted display screen in the alternate position of use of FIG. 11.

FIG. 17 is a left side view of the mounted display screen in the alternate position of use of FIG. 11.

FIG. 18 is a top view of the mounted display screen in the alternate position of use of FIG. 11.

FIG. 19 is an enlarged top view of the mounted display screen in the alternate position of use of FIG. 11; and,

(Continued)

**FOREIGN PATENT DOCUMENTS**

DE 102015218919 A1 3/2017  
JP 2006326298 A 12/2006

(Continued)

**OTHER PUBLICATIONS**

Choebongjae, ATEC CO LTD., KR Design No. 300828222, published at Orbit, publication date Dec. 3, 2015. Site visited Nov. 12, 2020. Available from Internet. (Year: 2015).\*

(Continued)

(Continued)

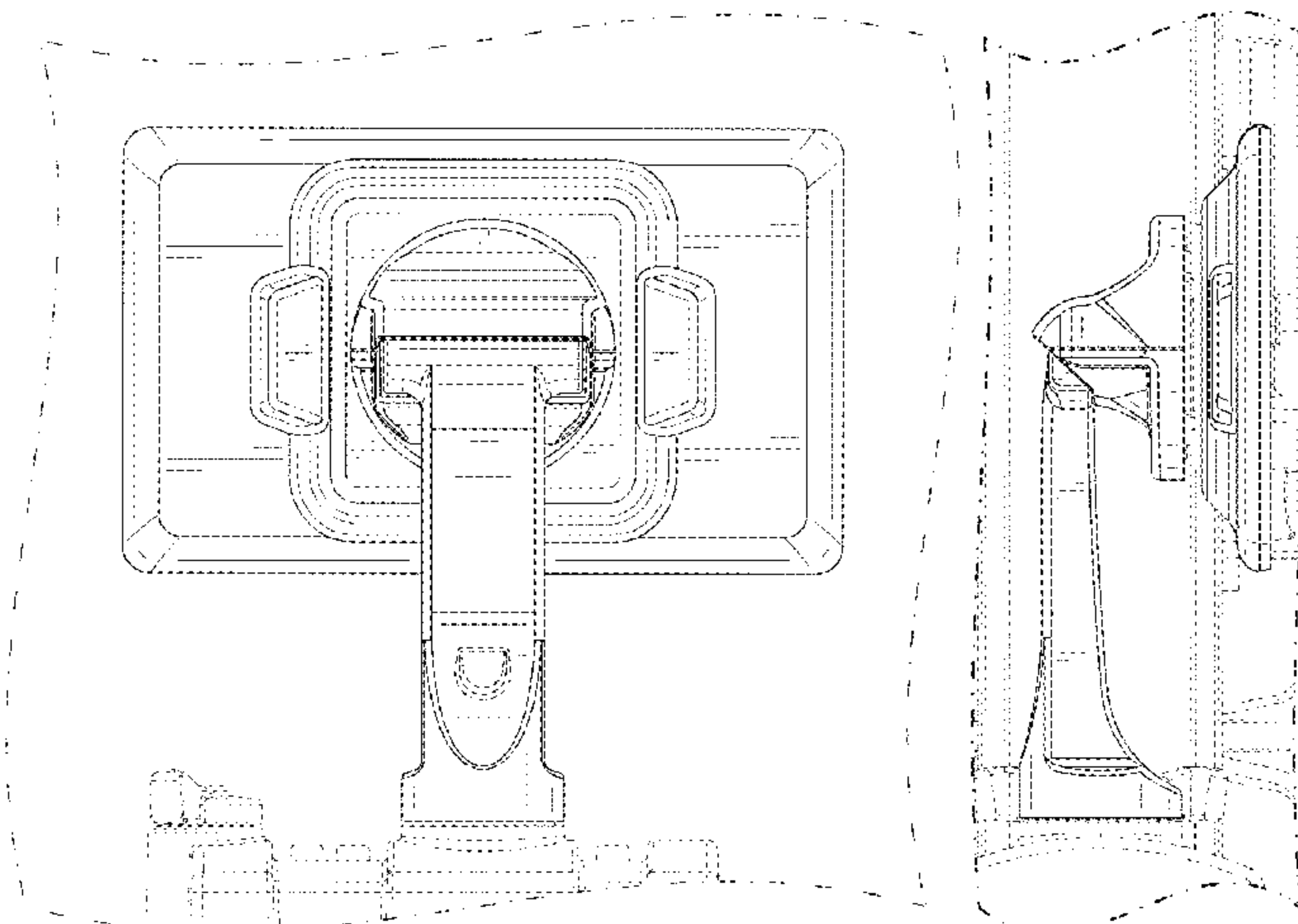


FIG. 20 is a bottom view of the mounted display screen in the alternate position of use of FIG. 11.

The dash-dash broken lines in FIGS. 1-20 illustrate environmental subject matter and portions of the mounted display screen that form no part of the claimed design.

The dash-dot-dash broken lines in FIGS. 2, 4, 6, 9, 12, 14, 16, and 19 illustrating the boundaries of the enlarged views form no part of the claimed design.

**1 Claim, 20 Drawing Sheets**

**(58) Field of Classification Search**

USPC ..... D14/339-340, 316, 307, 251-253;  
 D8/349, 352, 354, 363, 373, 376,  
 D8/380-381; D24/185  
 CPC ..... G06F 1/1601; G06F 1/1605; G06F 1/162;  
 G06F 1/1333; G06F 1/16; G06F 1/1622;  
 G06F 1/1637; G06F 1/166; G06F 3/0412;  
 F16M 11/10; F16M 11/16; F16M 11/08;  
 F16M 11/105; F16M 11/2028; F16M  
 2200/021; F16M 2200/00

See application file for complete search history.

**(56) References Cited**

**U.S. PATENT DOCUMENTS**

D551,228	S	*	9/2007	Hwang	.....	D14/375
D597,505	S	*	8/2009	Hirasawa	.....	D14/126
D626,103	S	*	10/2010	Buzzard	.....	D14/126
D631,042	S	*	1/2011	Chen	.....	D14/337
D636,359	S	*	4/2011	Buzzard	.....	D14/126
D648,855	S	*	11/2011	Smith	.....	D24/158
D689,478	S	*	9/2013	Wikel	.....	D14/253
D704,709	S	*	5/2014	Bussoli	.....	D14/375
D712,367	S	*	9/2014	Park	.....	D14/126
D720,317	S	*	12/2014	Kamp	.....	D14/126
D725,108	S	*	3/2015	Yeon	.....	D14/376
D744,971	S	*	12/2015	Kamp	.....	D14/129
D747,719	S	*	1/2016	Won	.....	D14/375
9,659,466	B1	*	5/2017	Chen	.....	G06F 1/20
D792,414	S	*	7/2017	Floersch	.....	D14/447
D792,415	S	*	7/2017	Tsai	.....	D14/447
D799,483	S	*	10/2017	Won	.....	D14/376

D807,893	S	*	1/2018	Nelson	.....	D14/447
D811,415	S	*	2/2018	Nelson	.....	D14/447
D819,585	S	*	6/2018	Kang	.....	D14/126
D824,353	S	*	7/2018	Won	.....	D14/126
D824,354	S	*	7/2018	Kymm	.....	D14/126
D826,887	S	*	8/2018	Kymm	.....	D14/126
D858,473	S	*	9/2019	Lee	.....	D14/126
D863,560	S	*	10/2019	Hansen	.....	D24/185
D868,055	S	*	11/2019	Benic	.....	D14/307
D895,984	S	*	9/2020	Matthewman	.....	D6/310
D896,806	S	*	9/2020	Zheng	.....	D14/307
D896,817	S	*	9/2020	McKay	.....	D14/452
10,760,728	B1	*	9/2020	Maalouf	.....	F16M 11/105
D907,050	S	*	1/2021	Vardar	.....	D14/452
D908,122	S	*	1/2021	Luo	.....	D14/336
2010/0061041	A1	*	3/2010	Chen	.....	F16M 11/2064 361/679.01
2015/0146847	A1		5/2015	Liu		
2016/0296185	A1		10/2016	Gemmel et al.		
2019/0301670	A1	*	10/2019	Glickstein	.....	F16M 11/105
2020/0158278	A1	*	5/2020	Daugirdas	.....	F16M 13/02

**FOREIGN PATENT DOCUMENTS**

WO	WO-2004019308	A1	*	3/2004	.....	F16M 11/105
WO	WO-2017157919	A1	*	9/2017	.....	F16M 13/02

**OTHER PUBLICATIONS**

Dynamic Height-Adjustable Dual Display, posted at ParityMedical, posting date Jul. 19, 2017. Site visited Nov. 12, 2020. URL: <<https://web.archive.org/web/20170719125332/https://www.paritymedical.com/mounting-system/dynamic-height-adjustable-dual-display>> (Year: 2017).\*

OEC Elite CFD, posted at GE Healthcare, posting date Jul. 30, 2019. Site visited Nov. 12, 2020. URL: <<https://web.archive.org/web/20190730183503/https://www.gehealthcare.com/products/surgical-imaging/oec-elite-cfd>> (Year: 2019).\*

“Mobile C-arms,” Siemens Healthcare Website, Available Online at <https://usa.healthcare.siemens.com/surgical-c-arms-and-navigation/mobile-c-arms/cios-alpha>, Available Online as Early as Oct. 10, 2014, 4 pages.

“Ziehm Imaging,” Ziehm Website, Available Online at <https://www.ziehm.com/en/home.html>, Available Online as Early as Jun. 1, 2018, 4 pages.

Daugirdas, K. et al., “Methods and Systems for a Pivotal Tablet Mount,” U.S. Appl. No. 16/198,719, filed Nov. 21, 2018, 40 pages.

\* cited by examiner



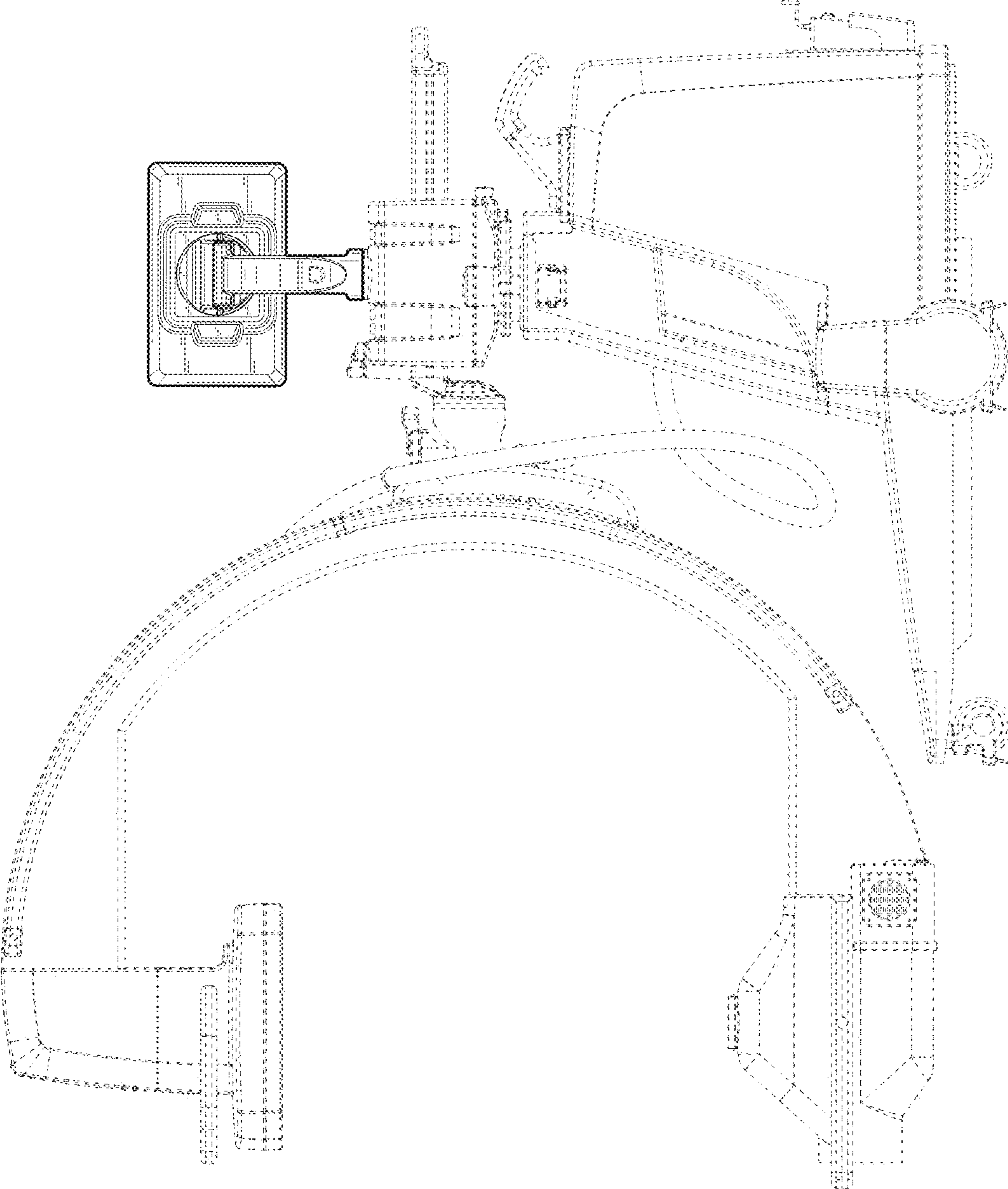


FIG. 1

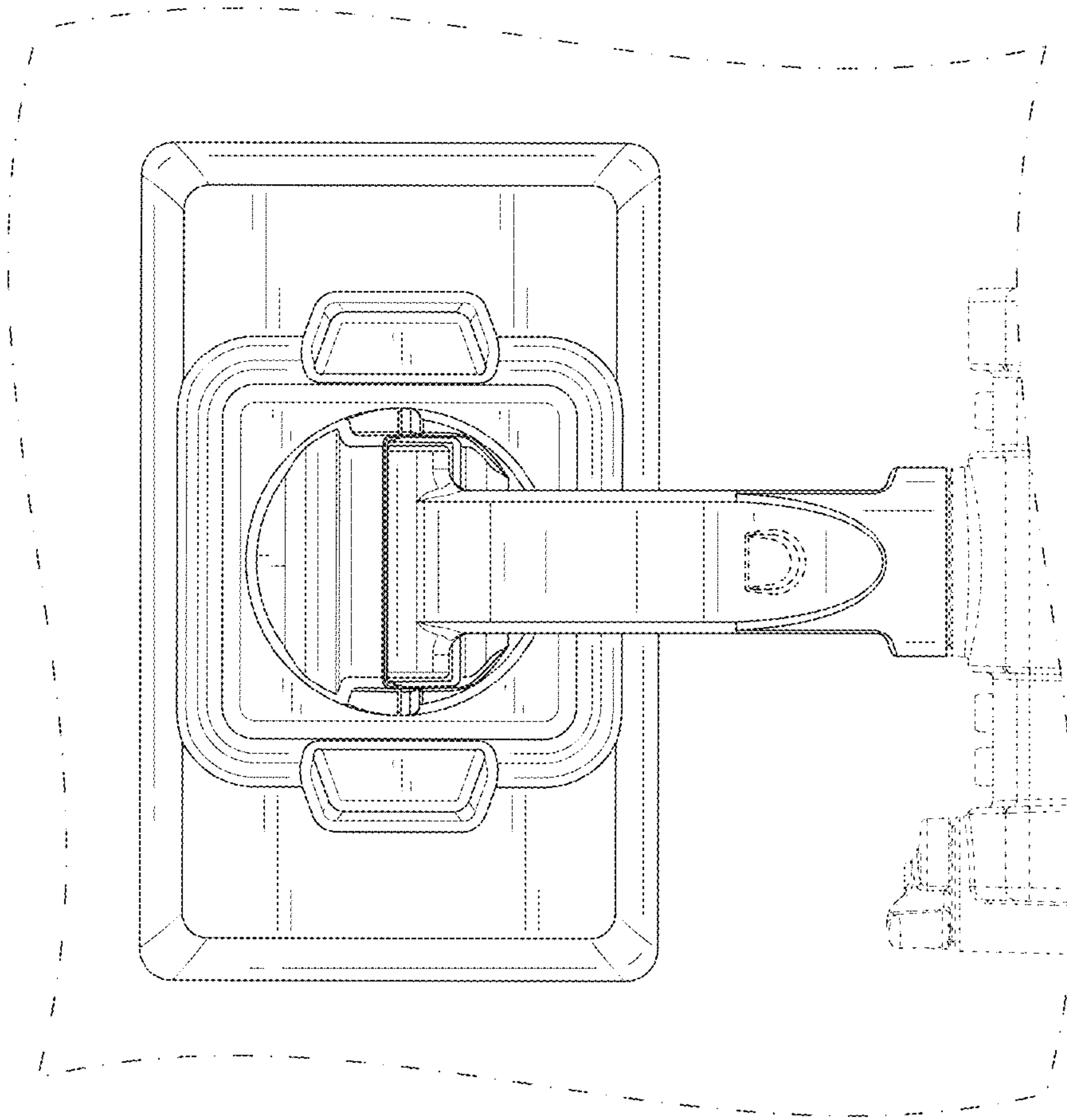


FIG. 2

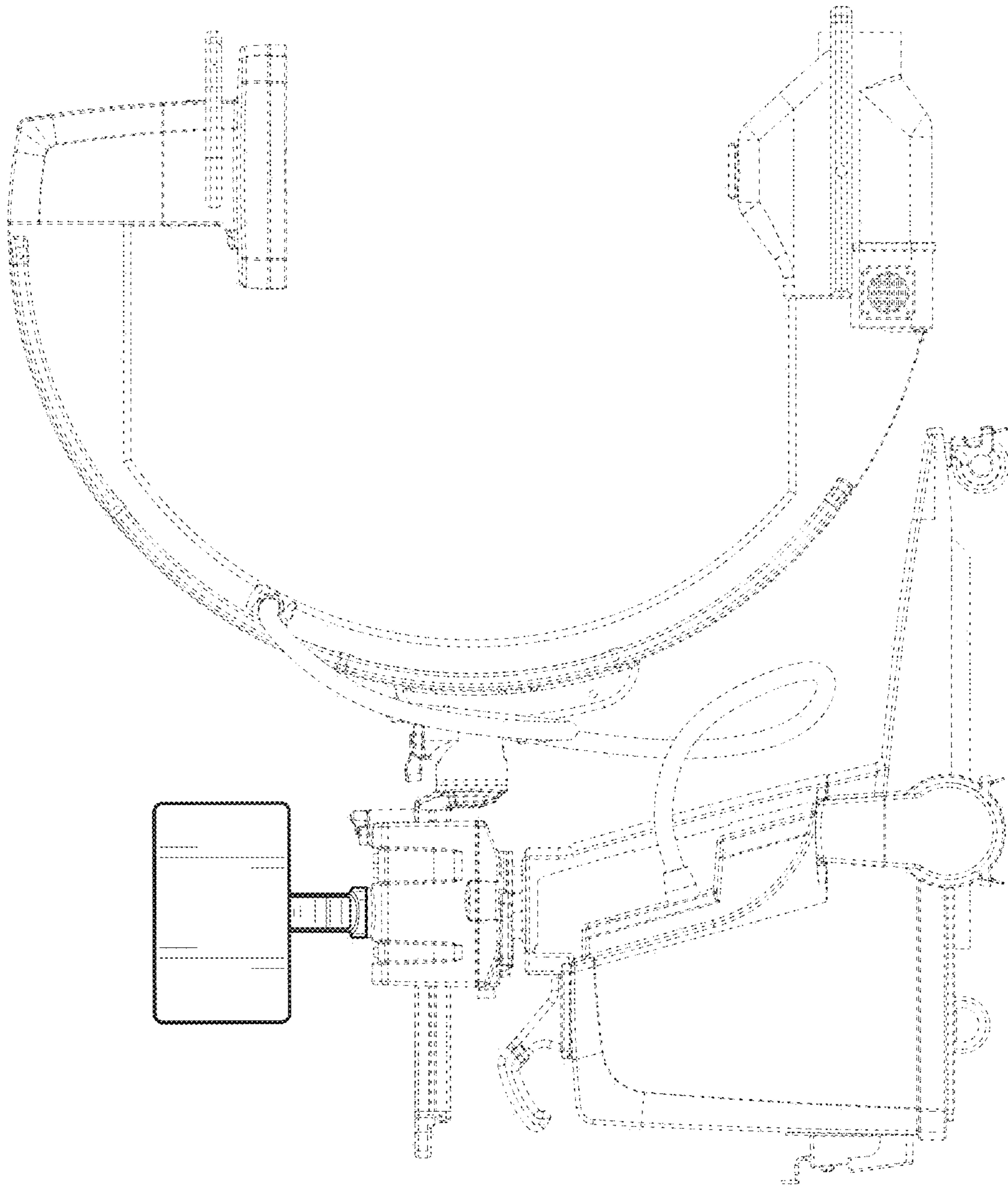


FIG. 3

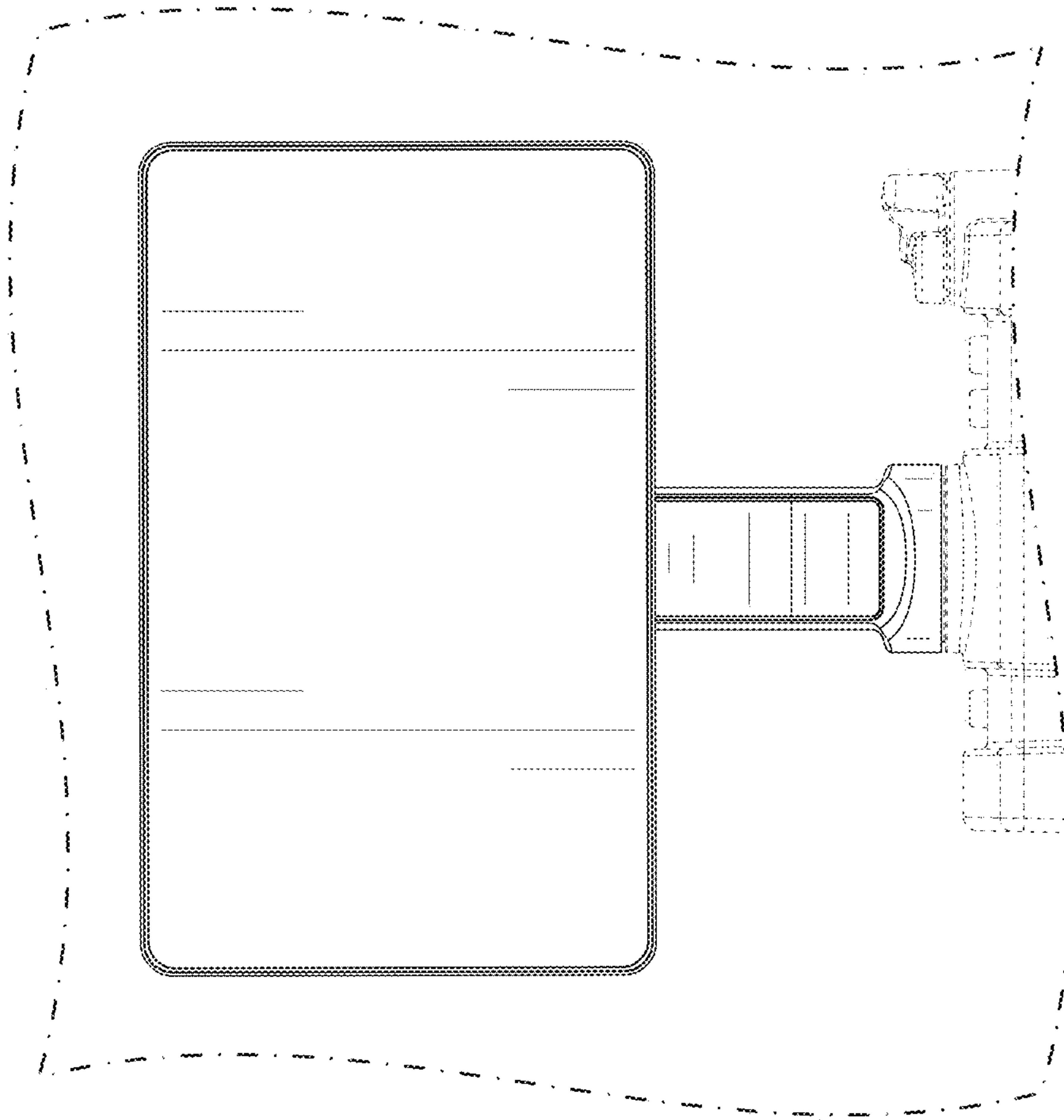


FIG. 4

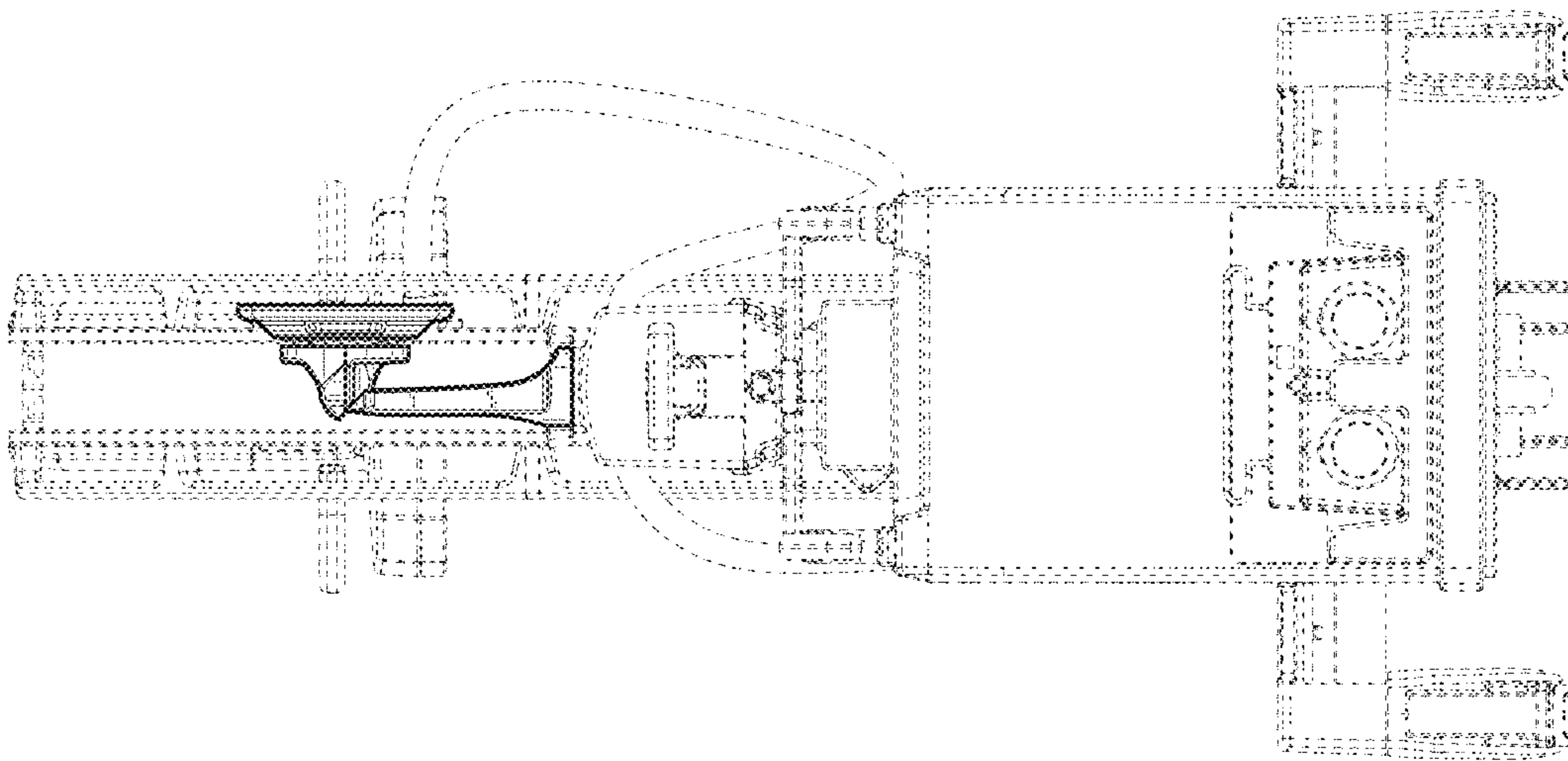


FIG. 5

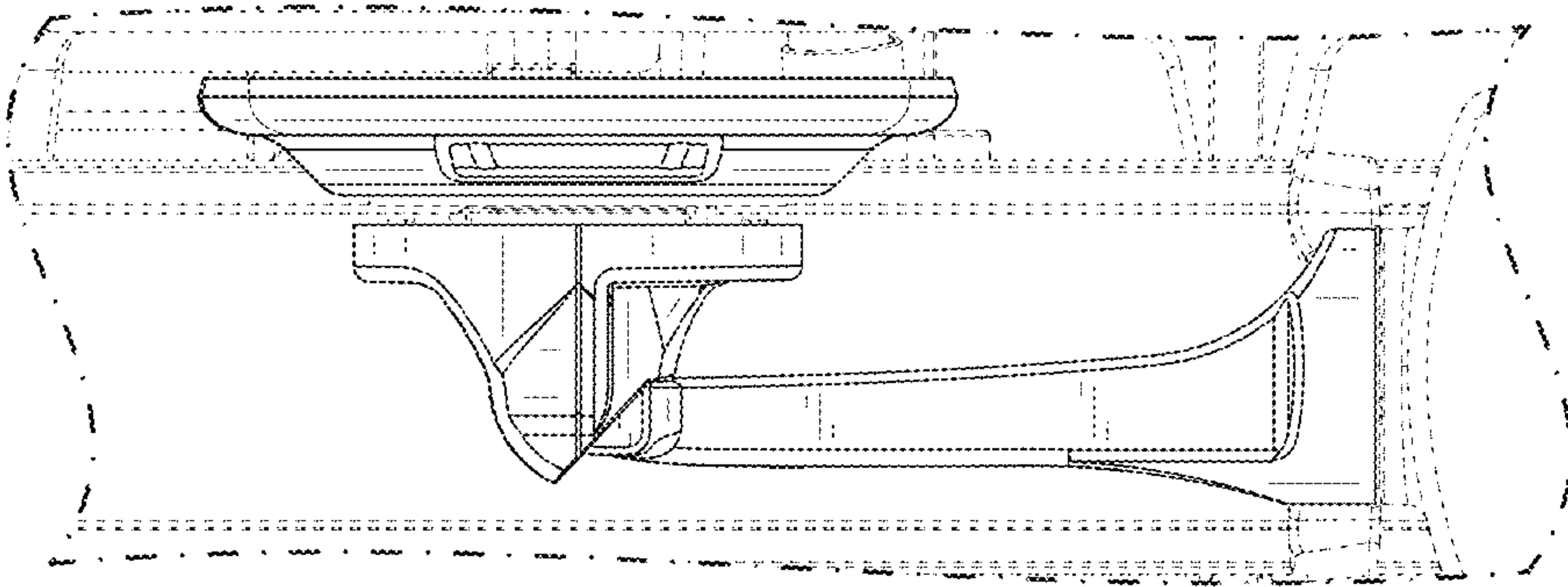


FIG. 6



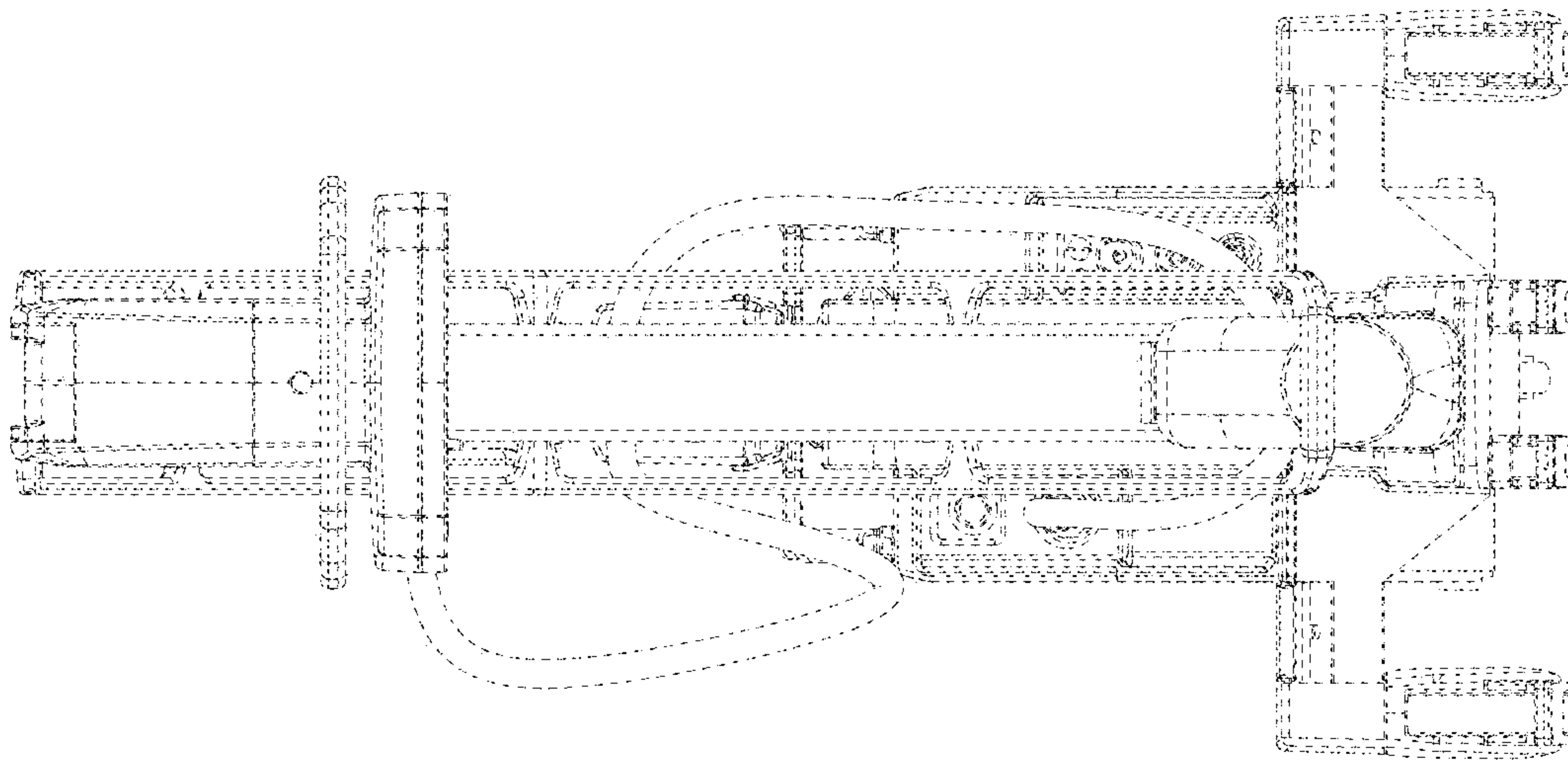


FIG. 7

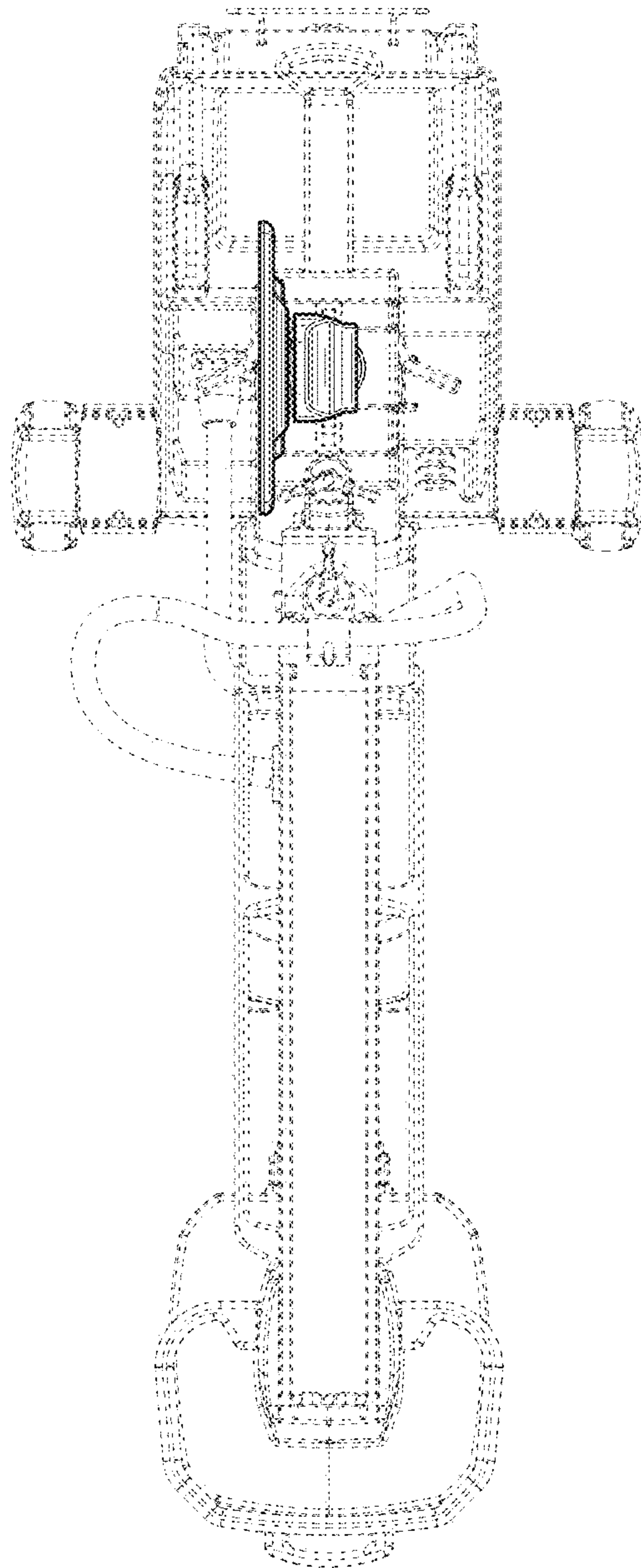


FIG. 8

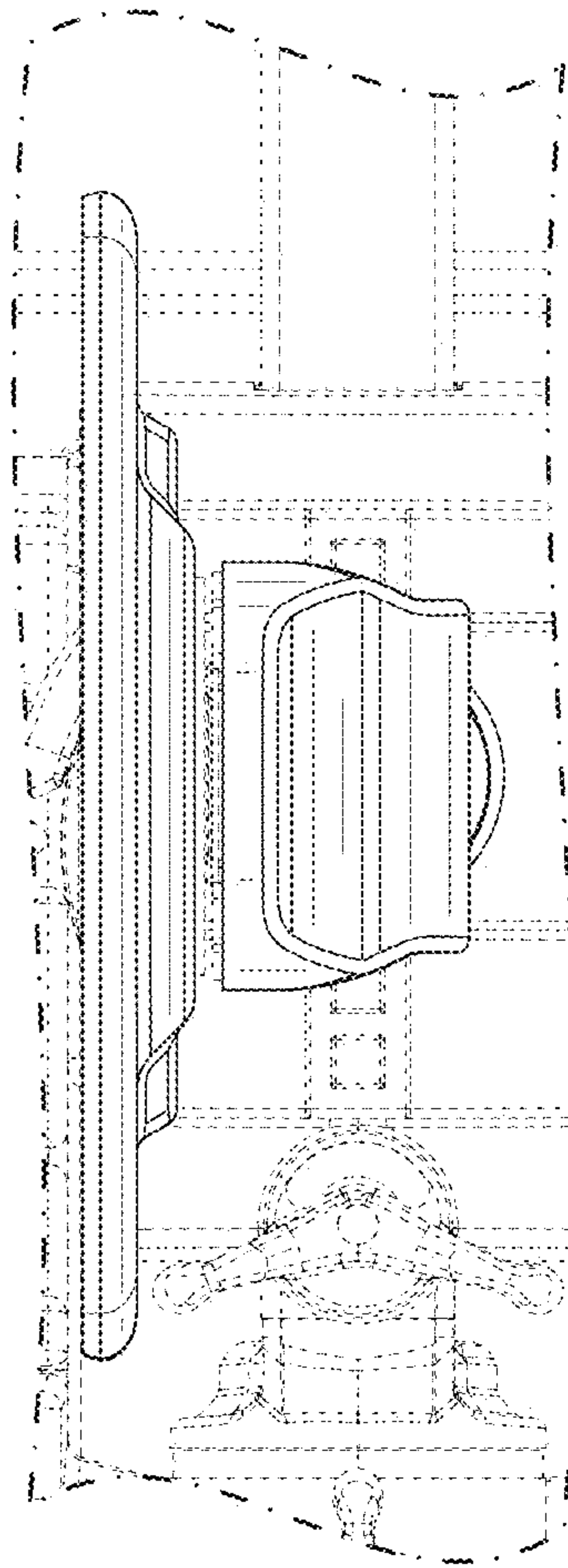


FIG. 9

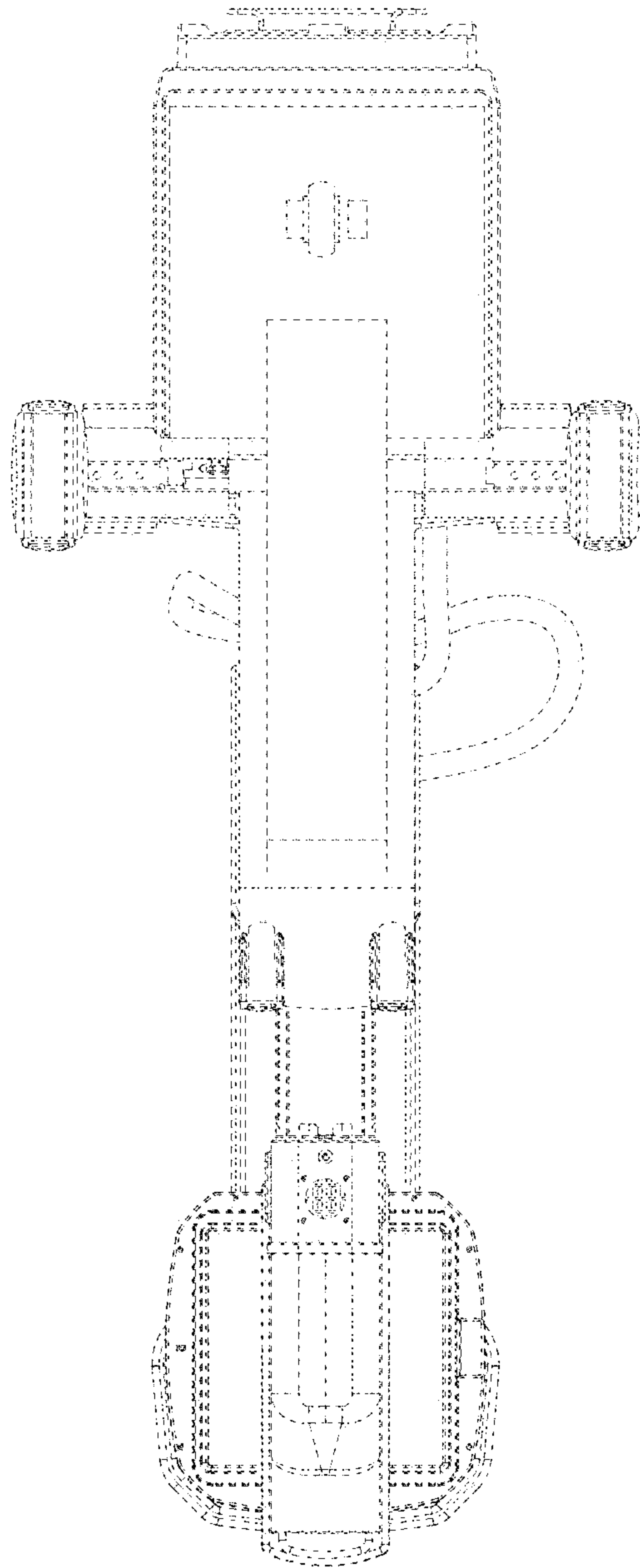


FIG. 10



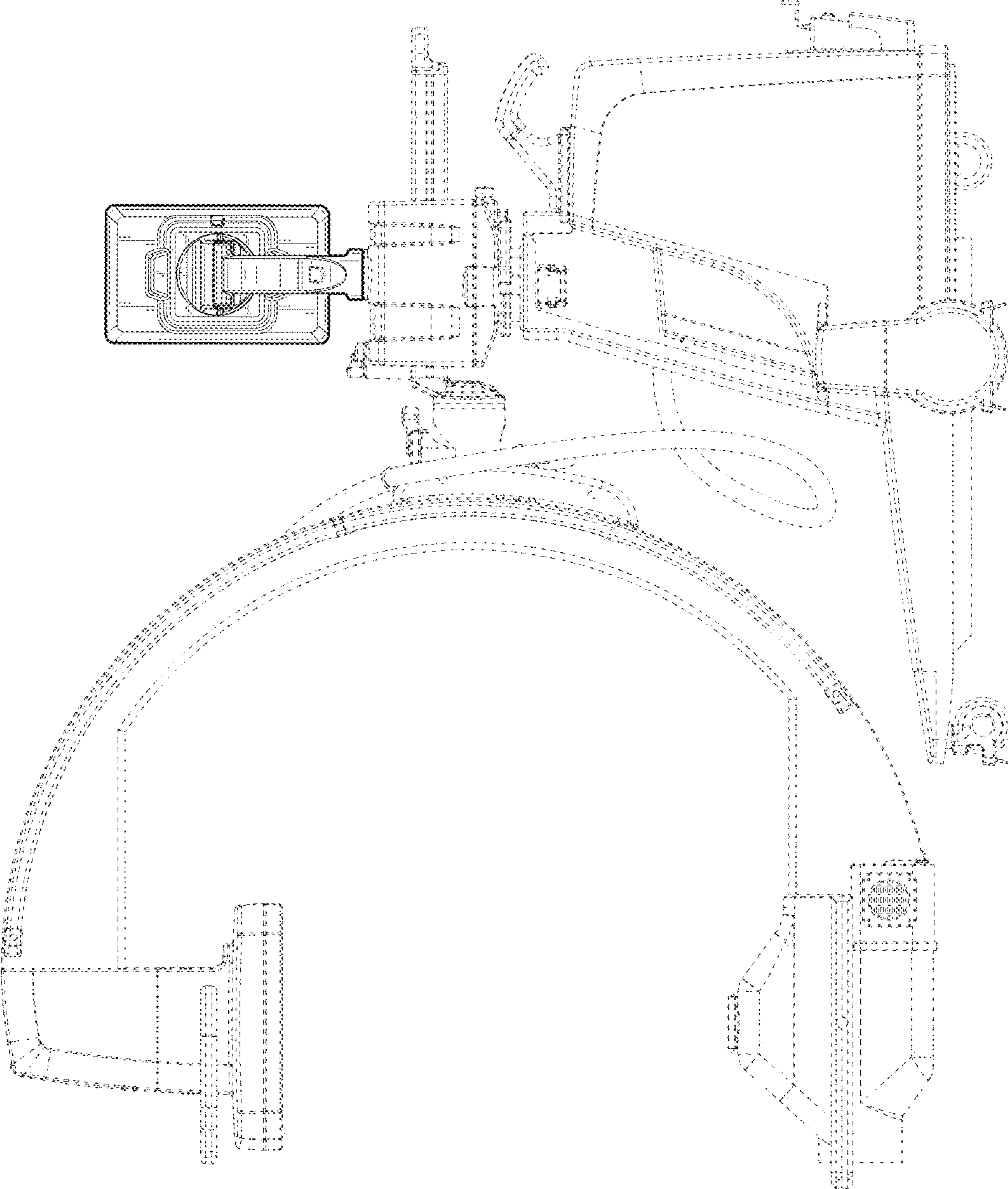


FIG. 11

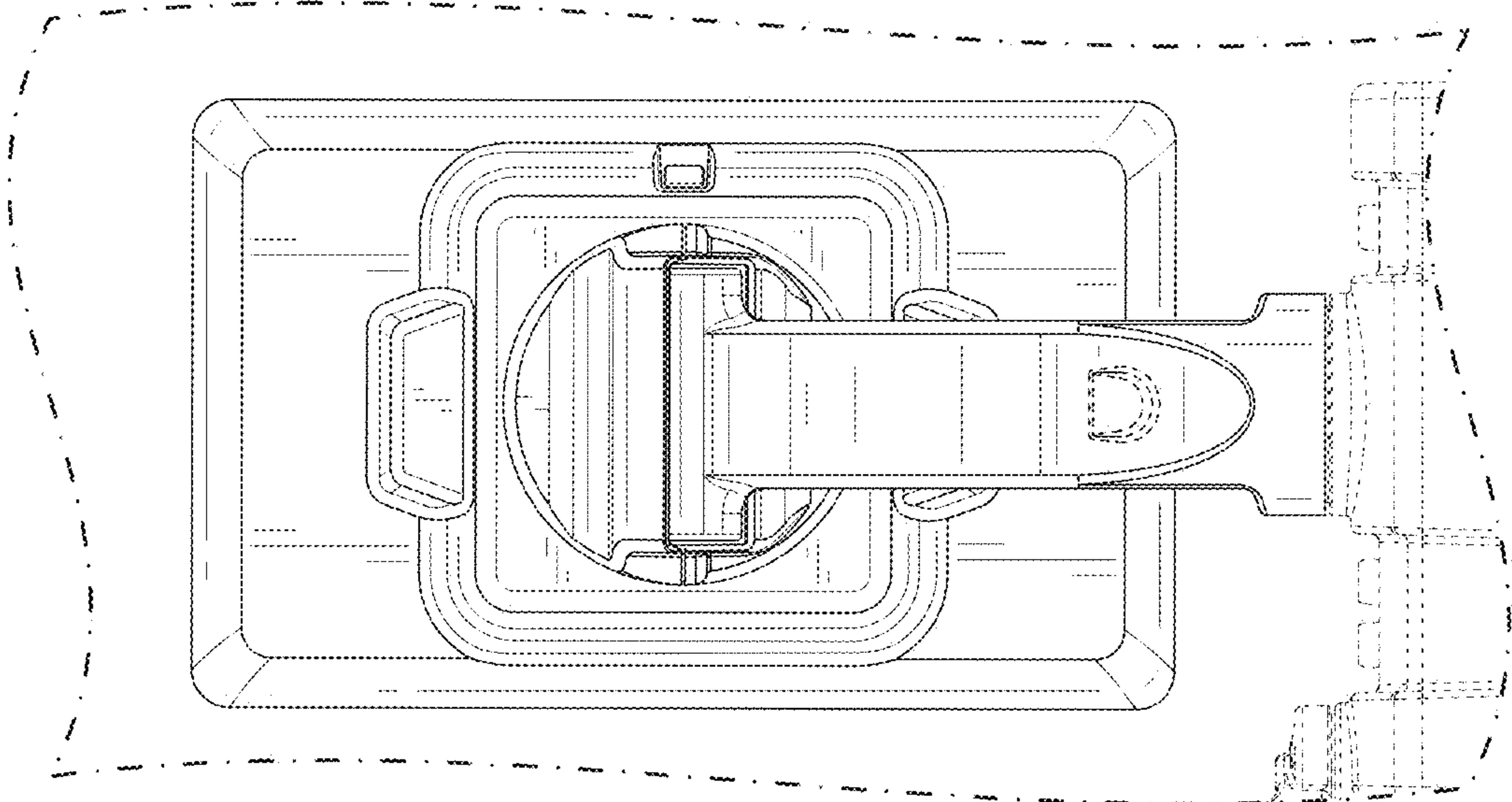


FIG. 12

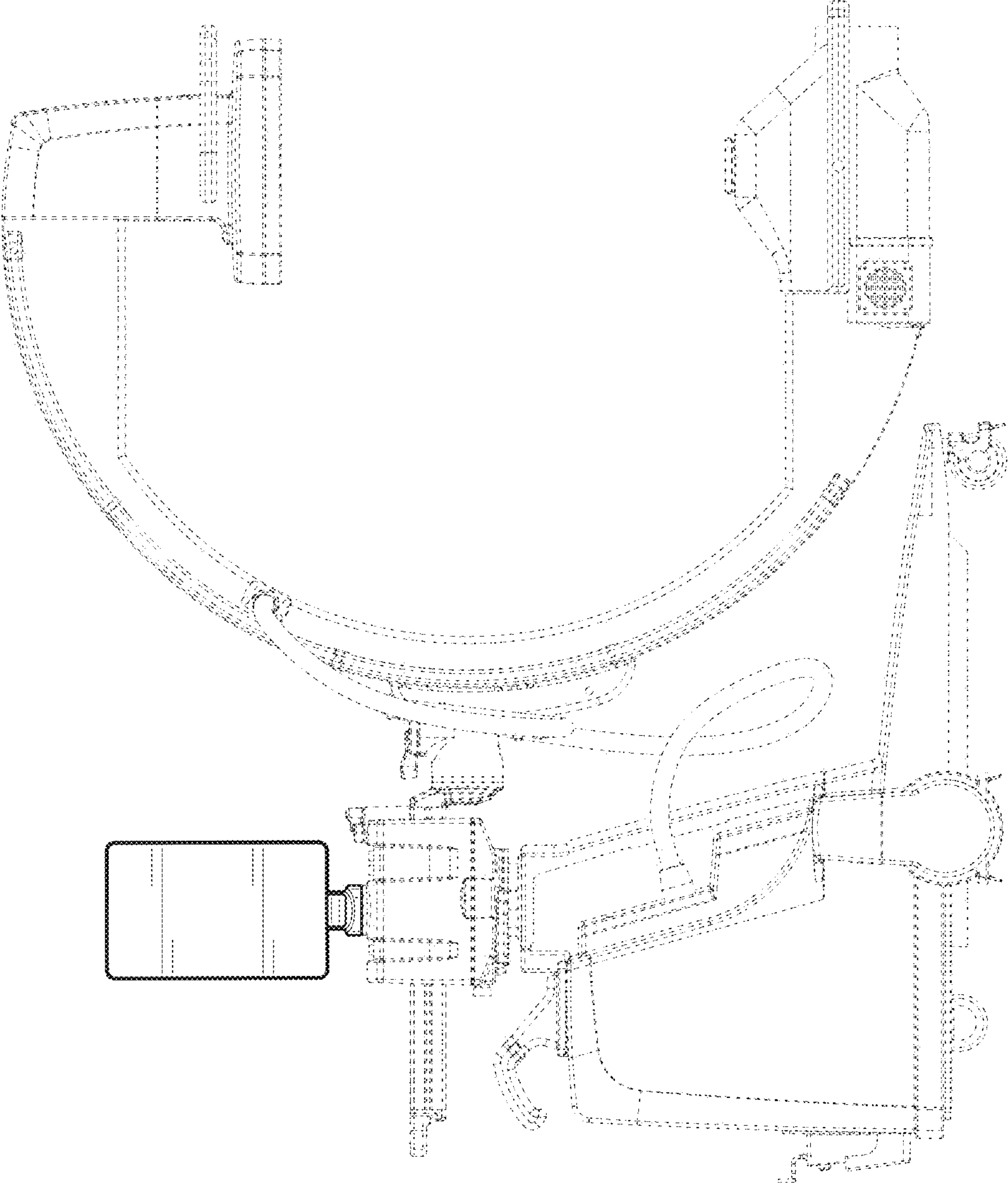


FIG. 13

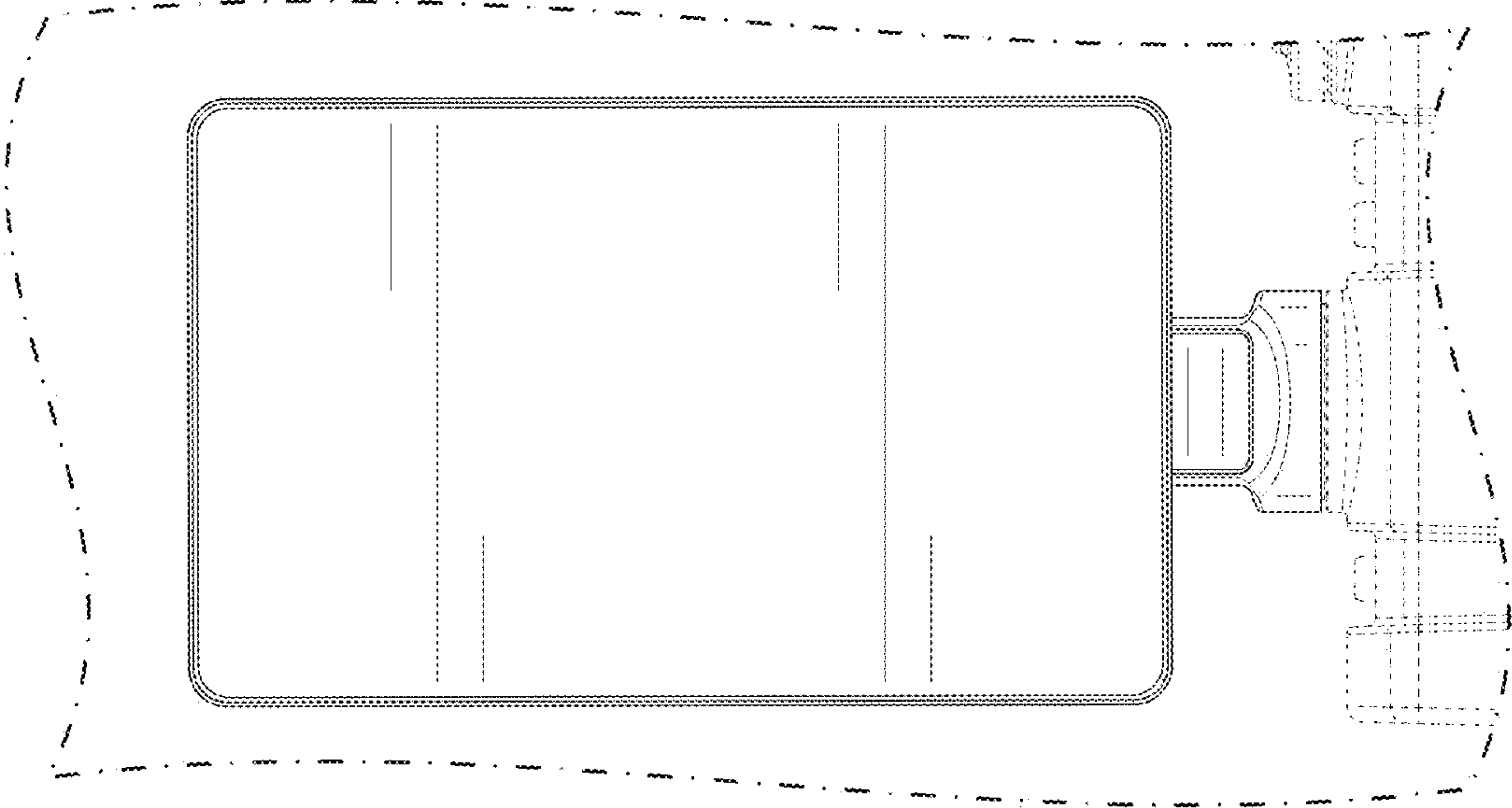


FIG. 14



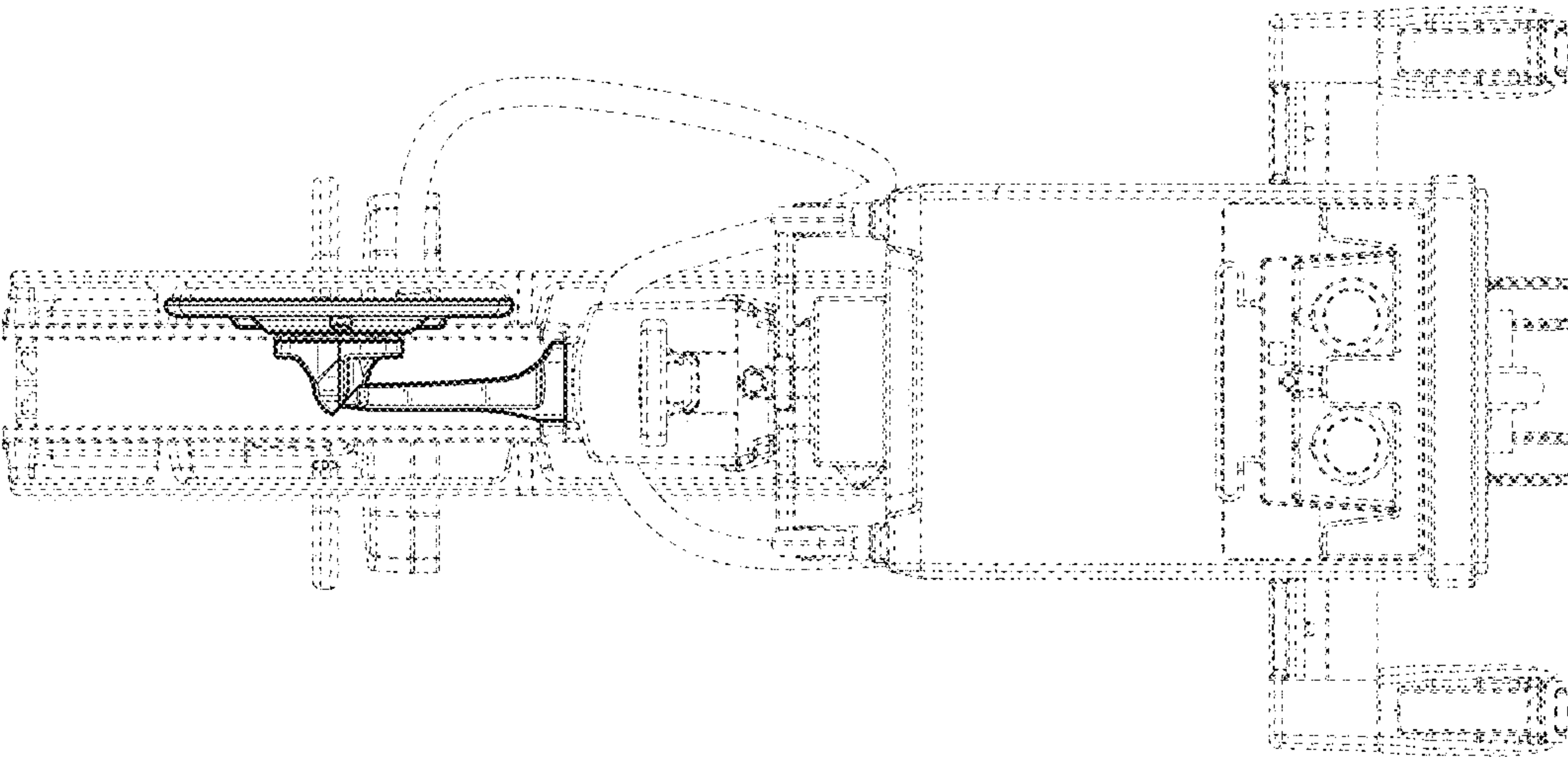


FIG. 15

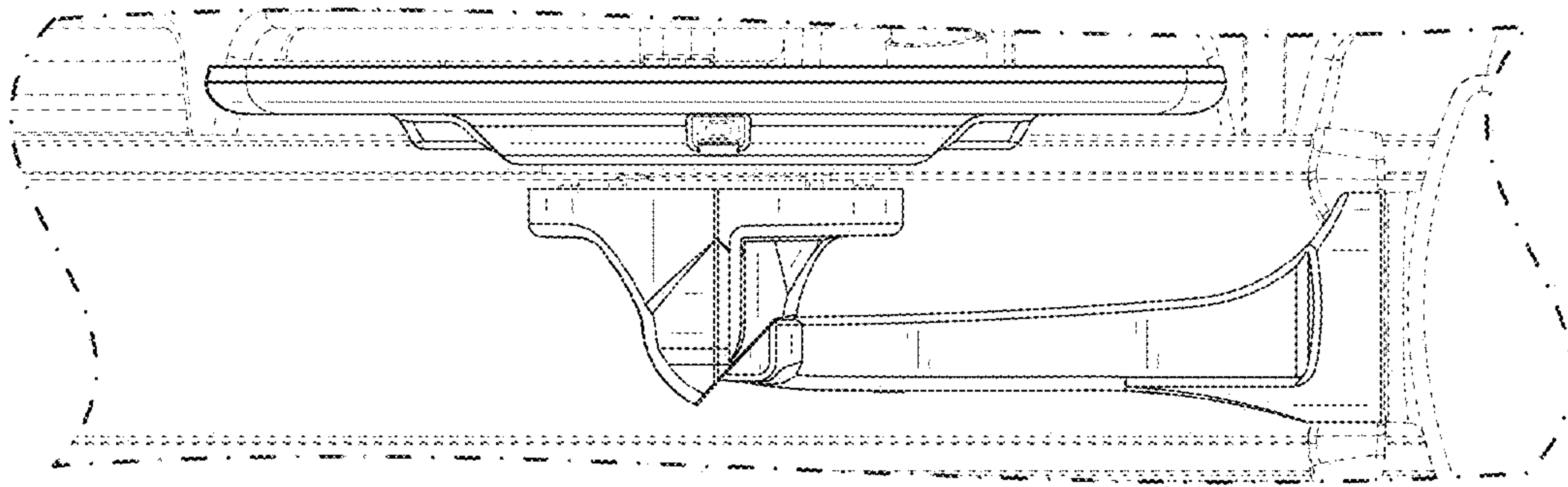


FIG. 16

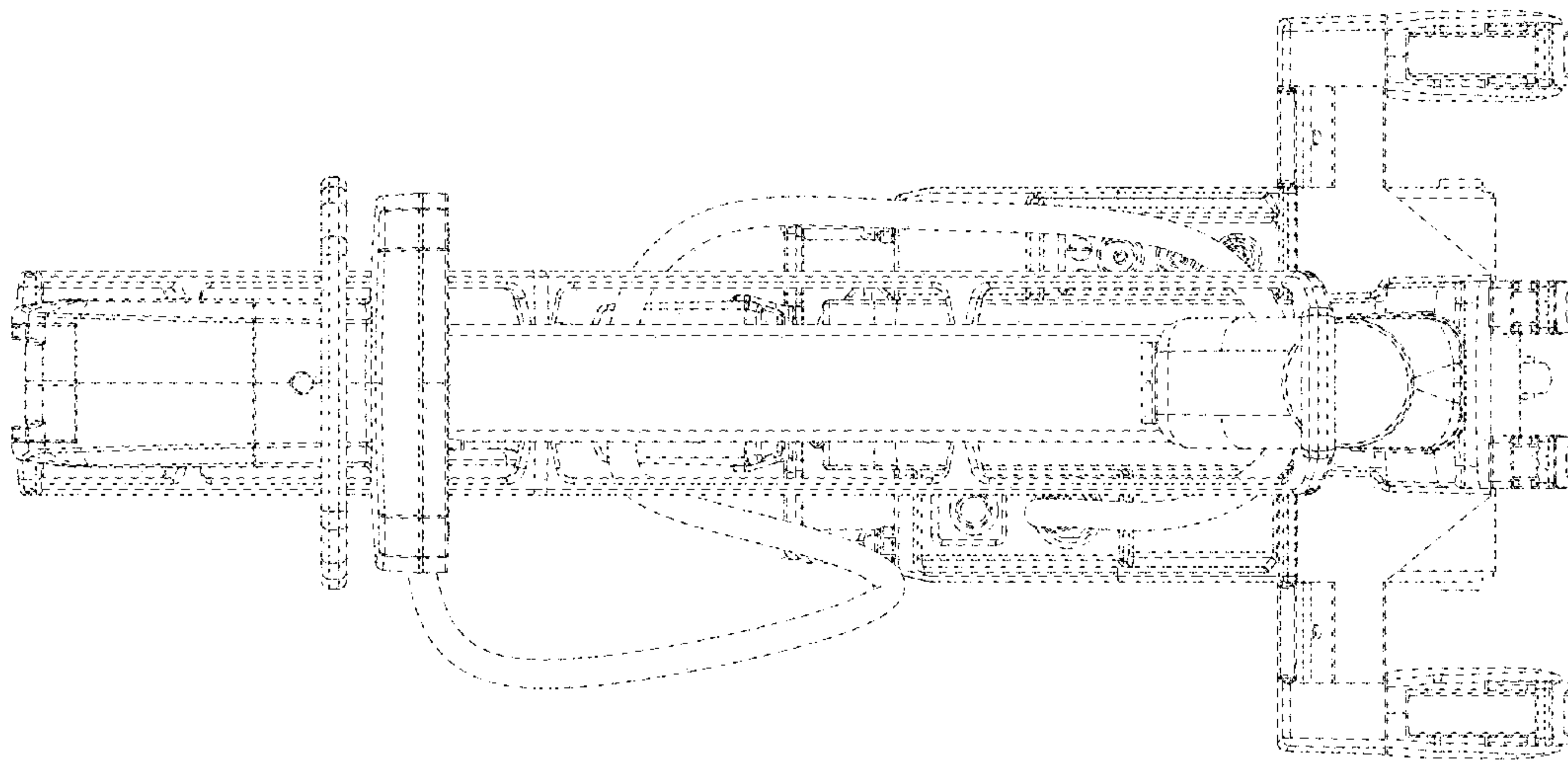


FIG. 17

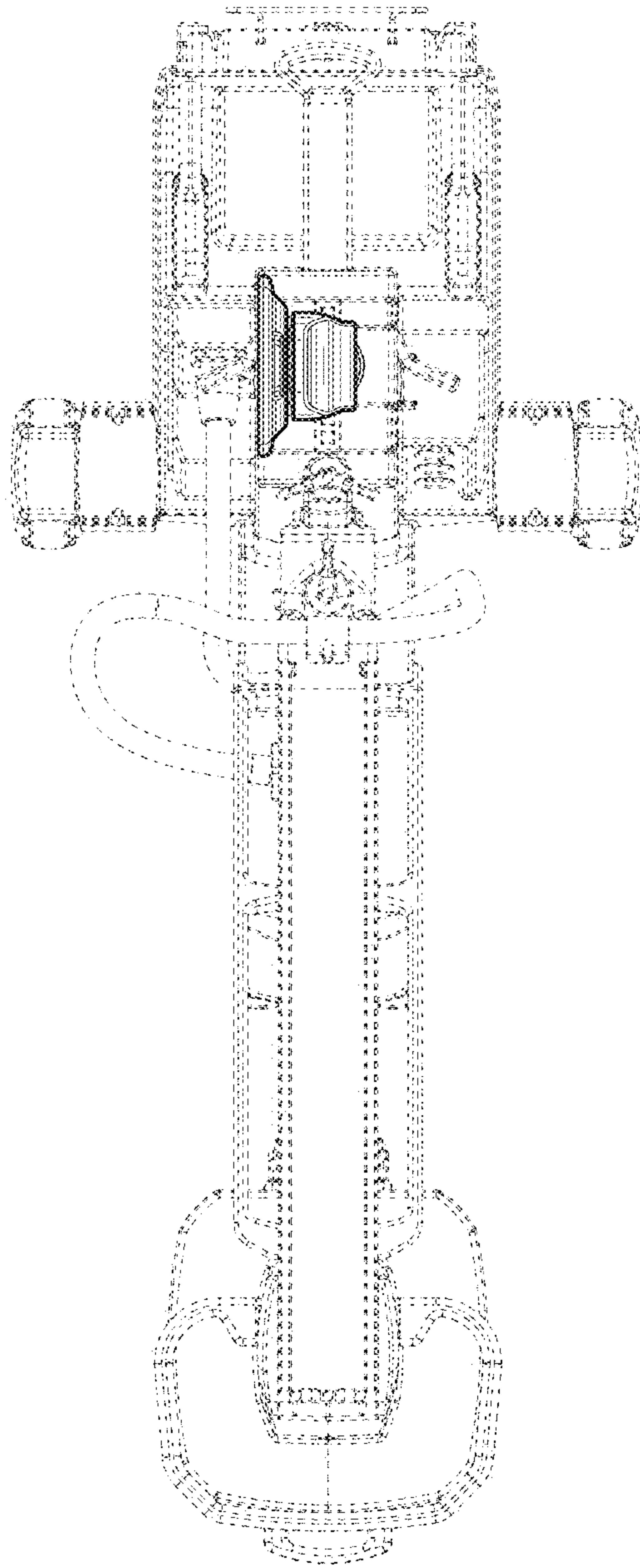


FIG. 18



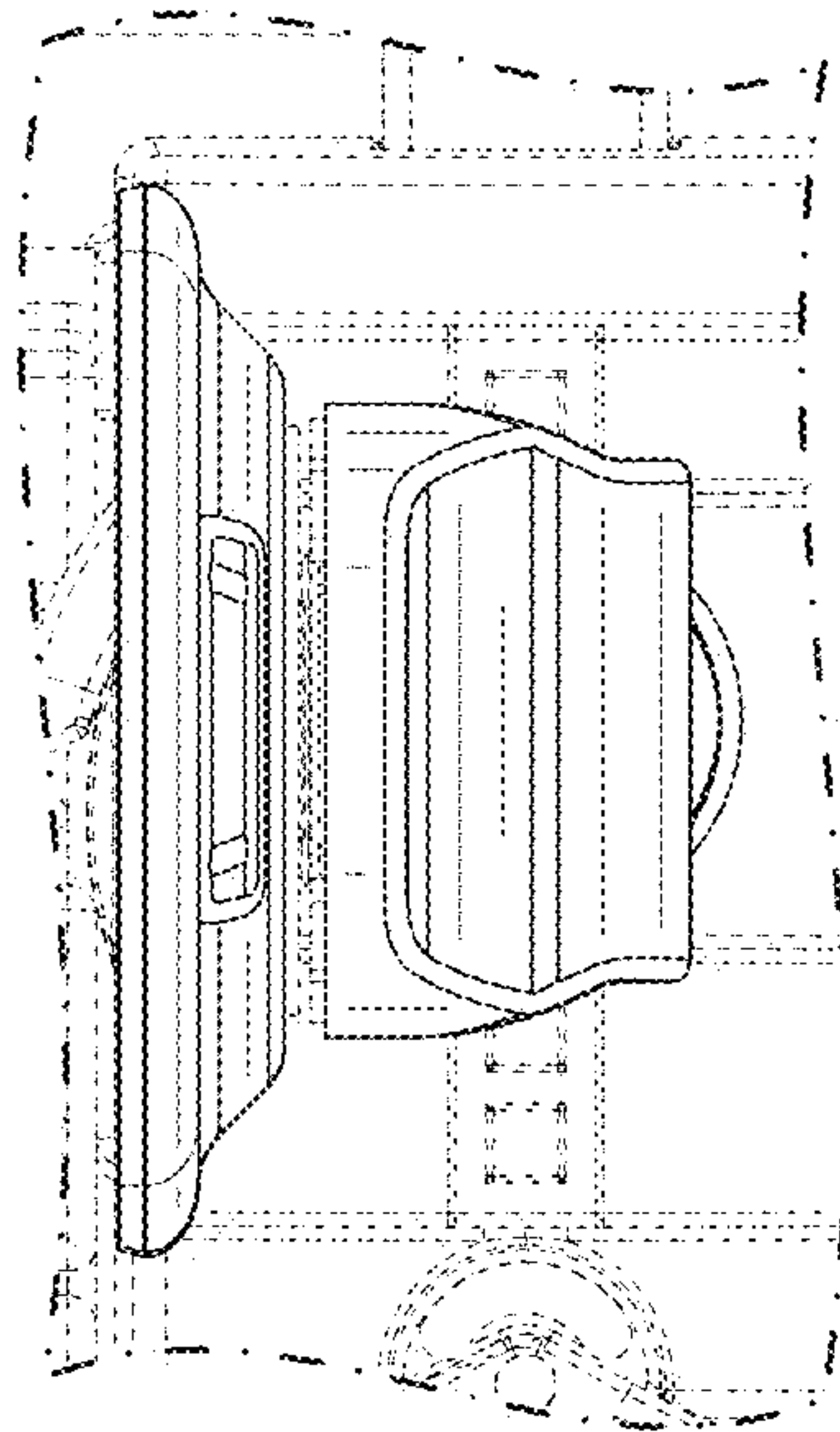


FIG. 19

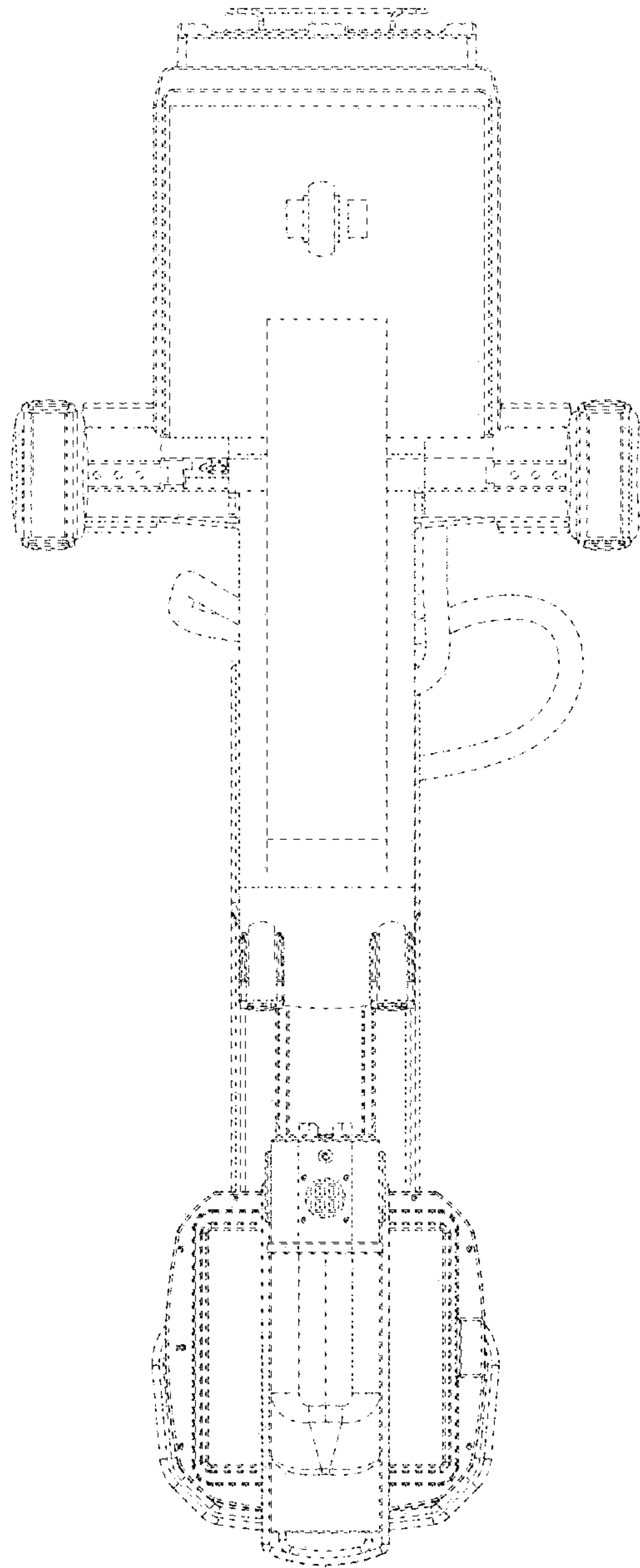


FIG. 20