



US00D924235S

(12) **United States Design Patent**
Harju et al.

(10) **Patent No.:** **US D924,235 S**
(45) **Date of Patent:** **** Jul. 6, 2021**

(54) **COMPUTER**

FOREIGN PATENT DOCUMENTS

(71) Applicant: **Microsoft Corporation**, Redmond, WA (US)

KR 300604646.0000 * 7/2011
KR 300697159.0000 * 6/2013

(72) Inventors: **Jonne Aapi Harju**, Seattle, WA (US);
Young Soo Kim, Bellevue, WA (US);
Kae-Ling J. Gurr, Seattle, WA (US);
Ryan Eugene Whitaker, Seattle, WA (US);
Timothy G. Escolin, Seattle, WA (US);
Yan Shang, Redmond, WA (US)

OTHER PUBLICATIONS

PCRichard & Son. Link: [https://www.pcrichard.com/Samsung/Samsung-TU7000-Series-65inch-4K-\(2160p\)-UHD-Smart-TV-with-HDR-\(2020-Model\)/UN65TU7000.pcrp](https://www.pcrichard.com/Samsung/Samsung-TU7000-Series-65inch-4K-(2160p)-UHD-Smart-TV-with-HDR-(2020-Model)/UN65TU7000.pcrp). Visited Oct. 22, 2020. Samsung TU7000 Series 65" 4K (2160p) UHD Smart TV with HDR (2020 Model). (Year: 2020).*

(73) Assignee: **Microsoft Corporation**, Redmond, WA (US)

(Continued)

(**) Term: **15 Years**

Primary Examiner — Lauren D McVey

(74) *Attorney, Agent, or Firm* — Banner & Witcoff, Ltd.

(21) Appl. No.: **29/689,646**

(57) **CLAIM**

(22) Filed: **Apr. 30, 2019**

The ornamental design for a computer, as shown and described.

(51) **LOC (13) Cl.** **14-02**

(52) **U.S. Cl.**
USPC **D14/374**

DESCRIPTION

(58) **Field of Classification Search**
USPC D14/336, 337, 341, 375, 376, 377, 127,
D14/128, 129, 371, 372, 373, 374, 126
CPC G06F 1/1601; G06F 1/1605; G06F 1/162
See application file for complete search history.

FIG. 1 is a front perspective view of a computer, showing our new design;
FIG. 2 is a rear perspective view thereof;
FIG. 3 is another rear perspective view thereof;
FIG. 4 is a front view thereof;
FIG. 5 is a rear view thereof;
FIG. 6 is a left side view thereof;
FIG. 7 is a right side view thereof;
FIG. 8 is a top view thereof;
FIG. 9 is a bottom view thereof;
FIG. 10 is an enlarged view of the encircled portion labeled as 10 in FIG. 9; and,
FIG. 11 is an enlarged view of the encircled portion labeled as 11 in FIG. 7.
The broken lines immediately adjacent to the claim depict the bounds of the claimed design, while all other broken lines are directed to environment. The broken lines form no part of the claimed design.

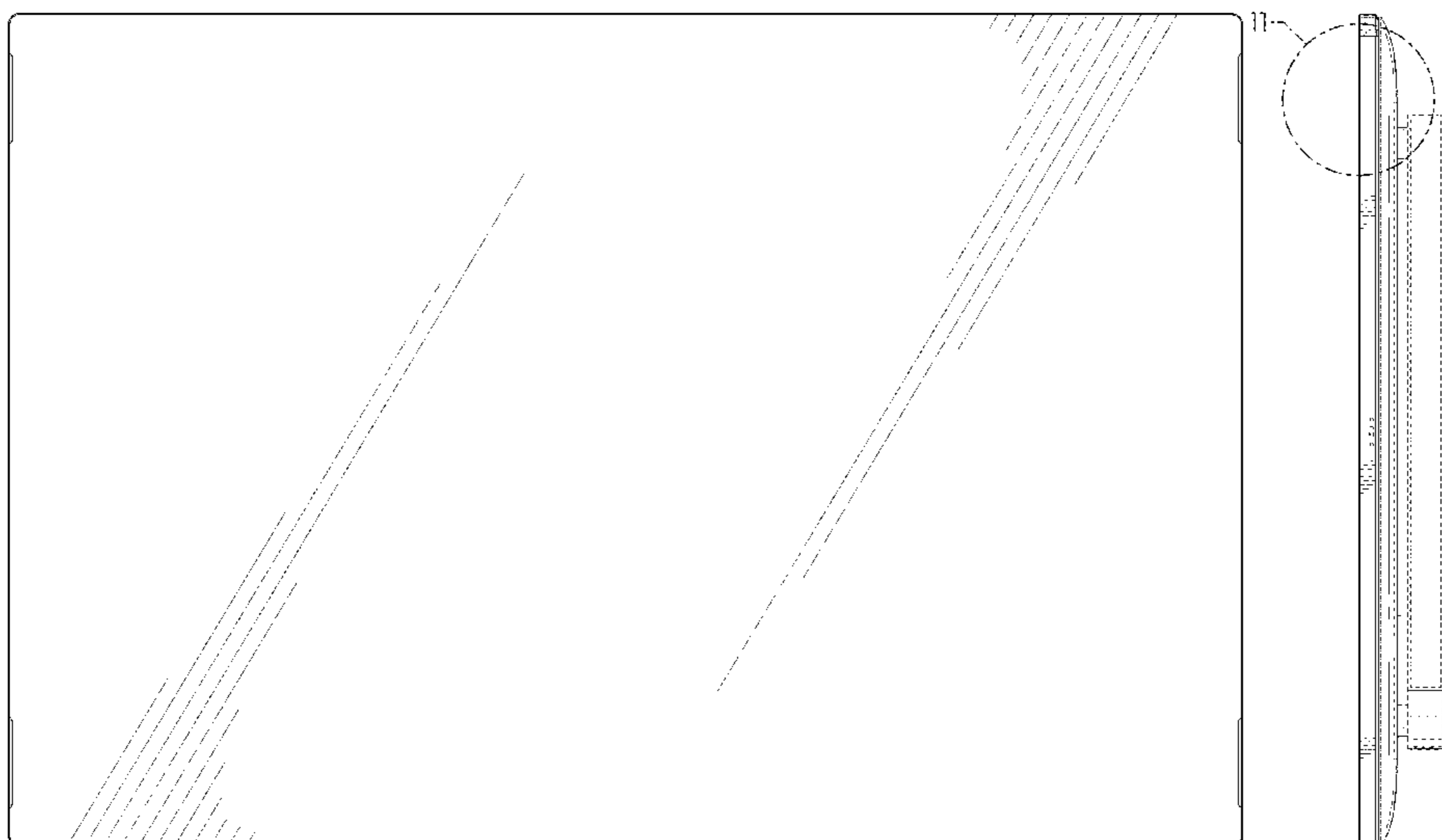
(56) **References Cited**

U.S. PATENT DOCUMENTS

D490,420 S	*	5/2004	Solomon	D14/341
D512,424 S	*	12/2005	Kim	D14/375
D631,042 S	*	1/2011	Chen	D14/337
D677,660 S		3/2013	Groene et al.		
D680,982 S	*	4/2013	Lee	D14/126
D696,218 S	*	12/2013	Lee	D14/138 G
D705,776 S		5/2014	Groene et al.		
D705,777 S		5/2014	Groene et al.		
D713,403 S		9/2014	Groene et al.		
D727,897 S	*	4/2015	Stevenson	D14/374
D730,863 S	*	6/2015	Yamagishi	D14/138 G

(Continued)

1 Claim, 9 Drawing Sheets



(56)

References Cited

U.S. PATENT DOCUMENTS

D739,402 S * 9/2015 Seoc D14/341
D739,403 S * 9/2015 David D14/341
D743,959 S 11/2015 Landwehr
D749,579 S 2/2016 Schoenert et al.
D752,047 S 3/2016 Schoenert et al.
D756,952 S * 5/2016 Simonian D14/138 G
D761,794 S 7/2016 Schoenert et al.
D858,473 S * 9/2019 Lee D14/126
D859,337 S * 9/2019 Lee D14/126
D872,040 S * 1/2020 Wu D14/126
D893,479 S * 8/2020 Ryu D14/374

OTHER PUBLICATIONS

Best Buy. Link: <https://www.bestbuy.com/site/dell-inspiron-23-8-touch-screen-all-in-one-intel-core-i3-8gb-memory-256gb-ssd-black/6398974.p?skuId=6398974>. Visited Oct. 22, 2020. Dell—Inspiron 23.8" Touch-Screen All-In-One—Intel Core i3—8GB Memory—256GB SSD—Black. (Year: 2020).*

* cited by examiner

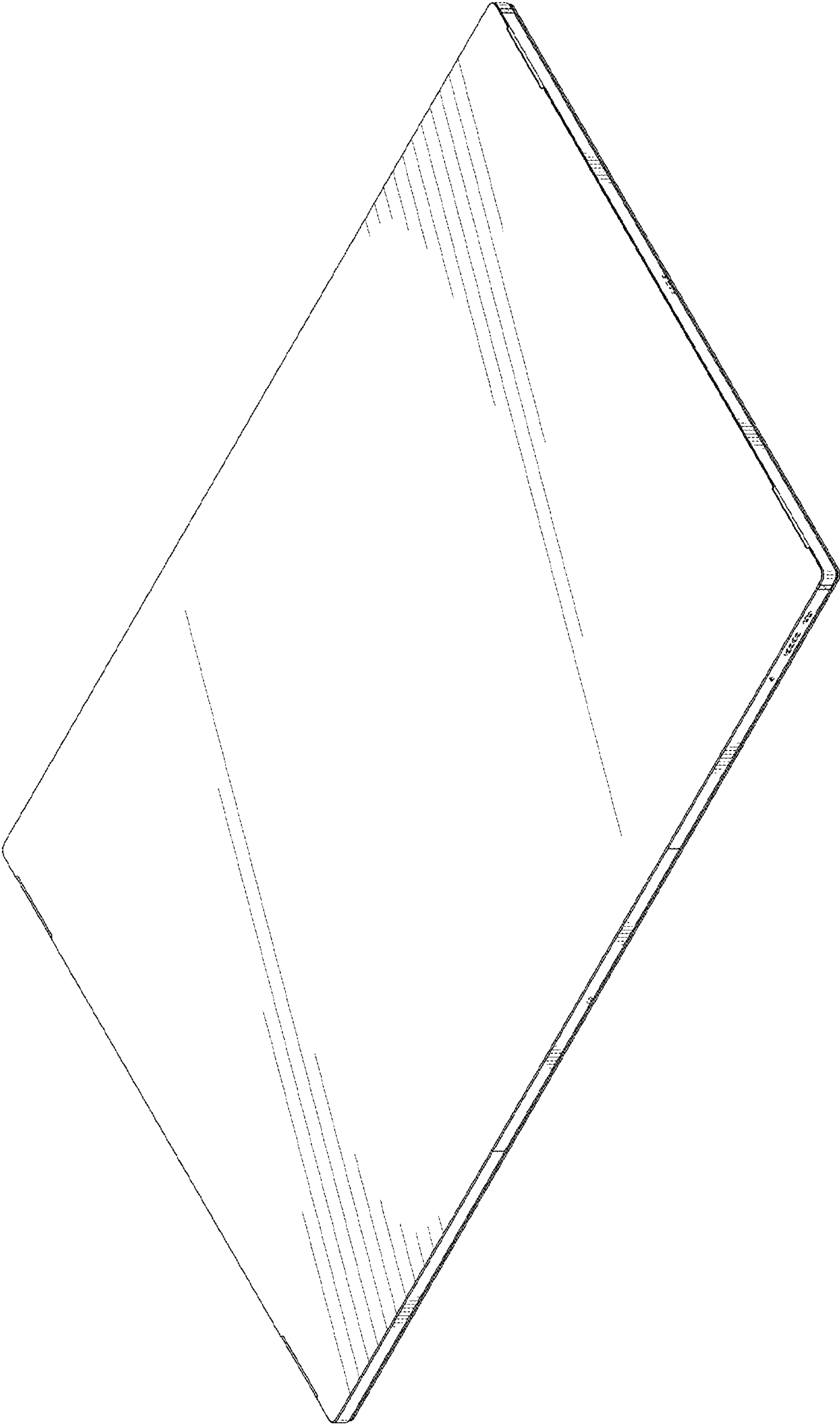


FIG. 1

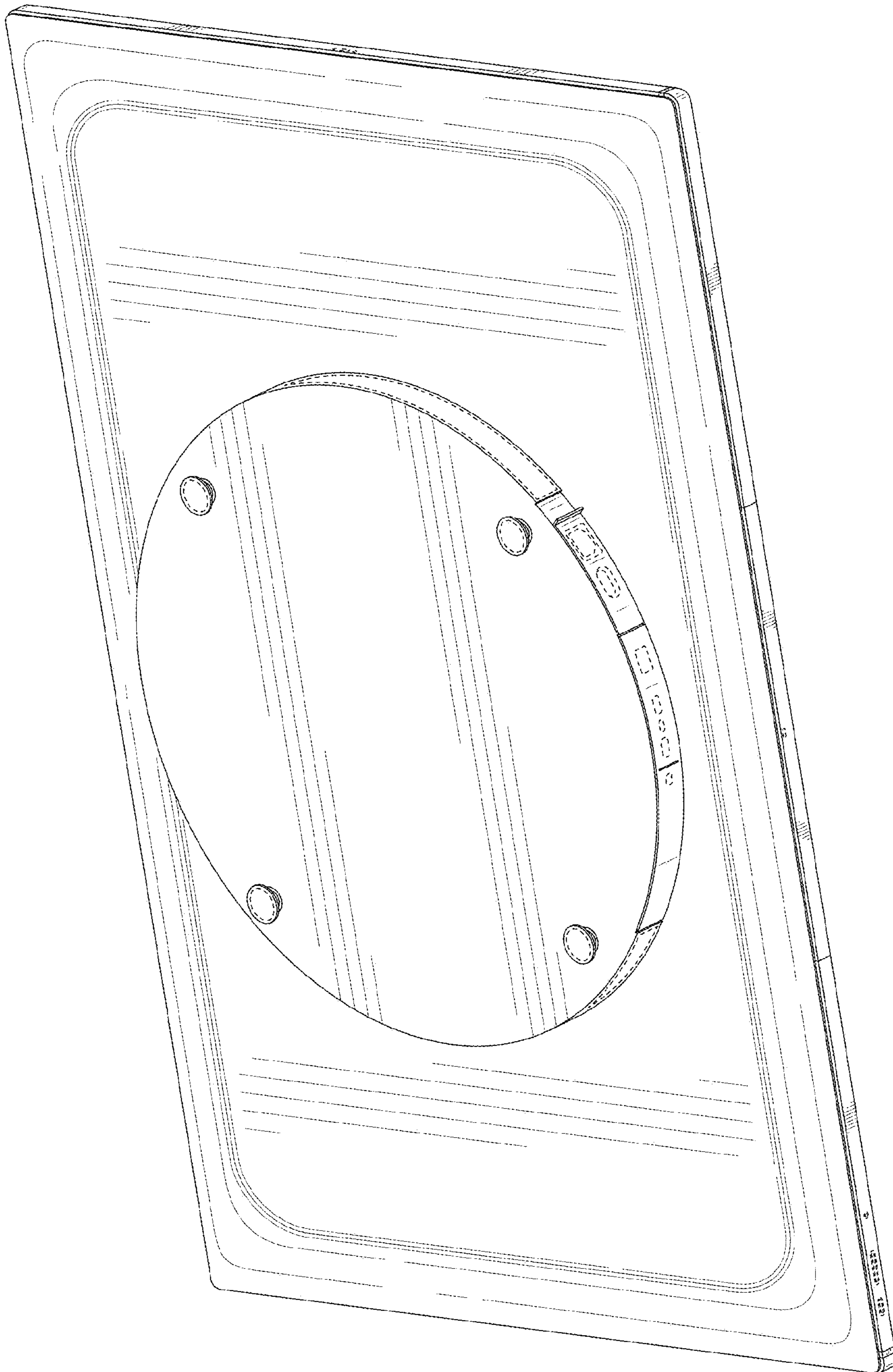


FIG. 2

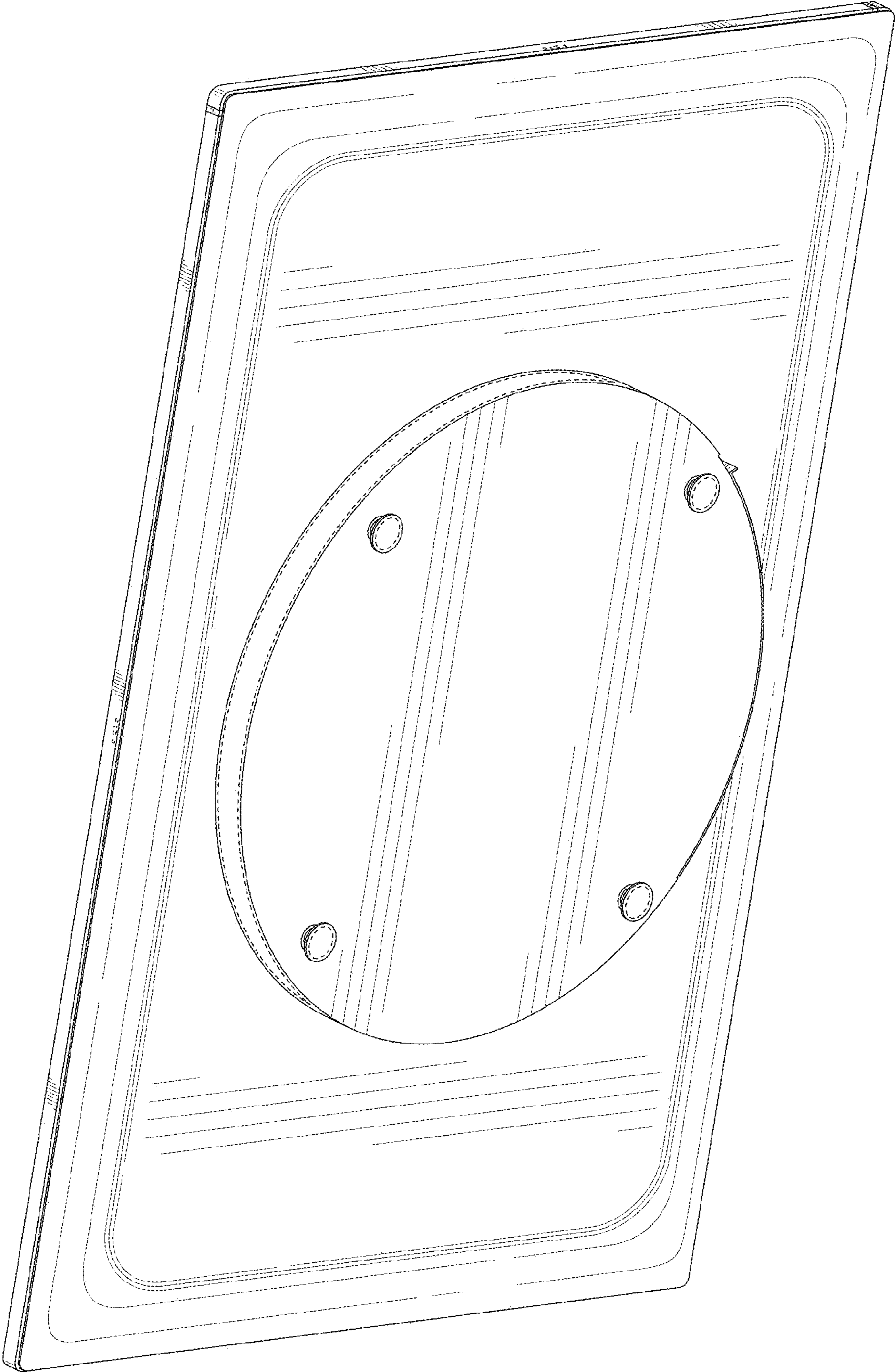


FIG. 3

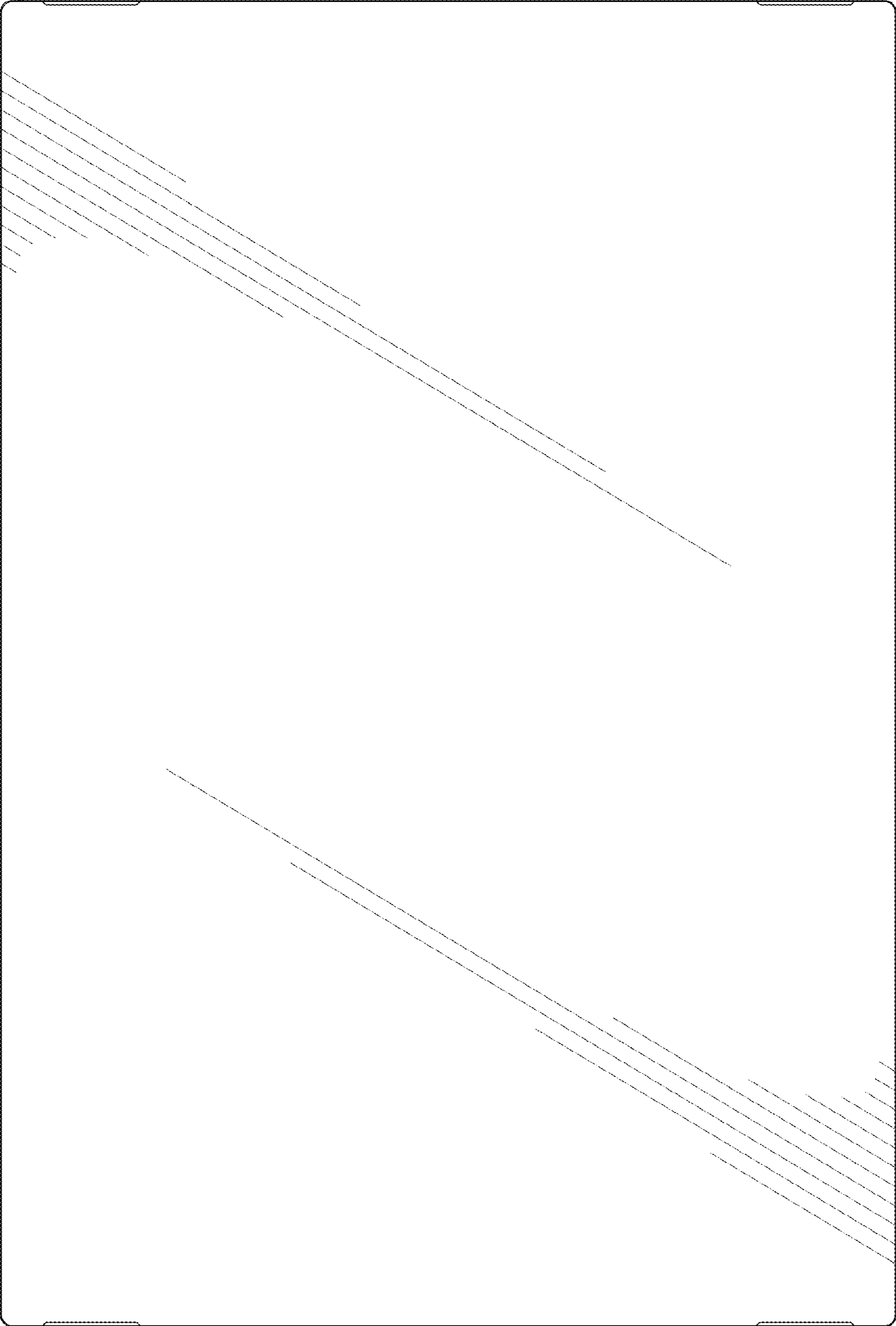


FIG. 4

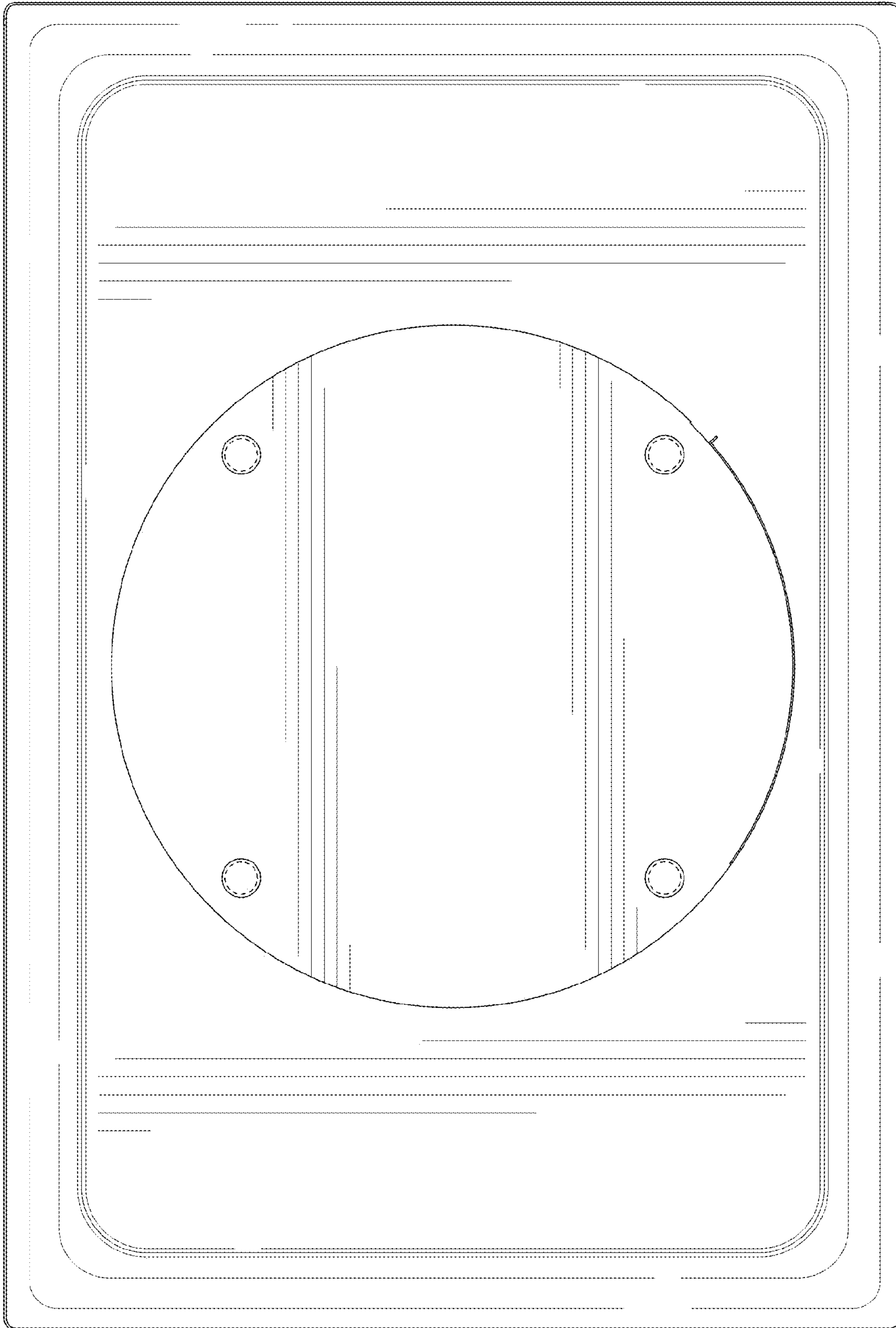


FIG. 5

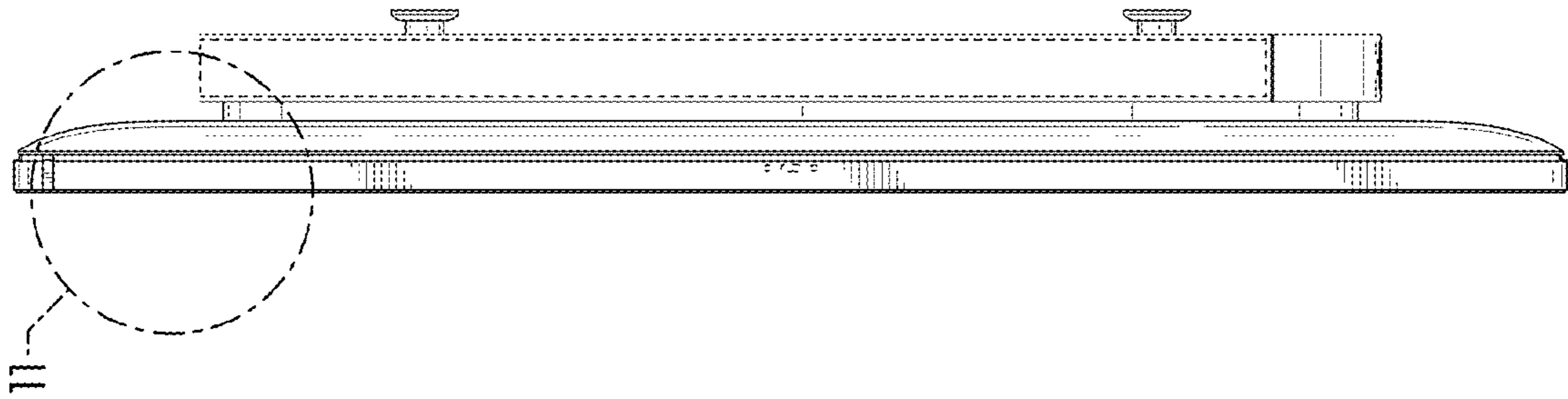


FIG. 7

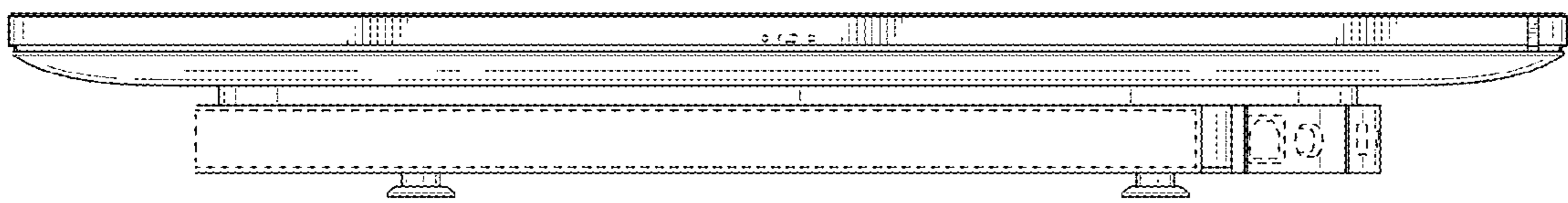


FIG. 6

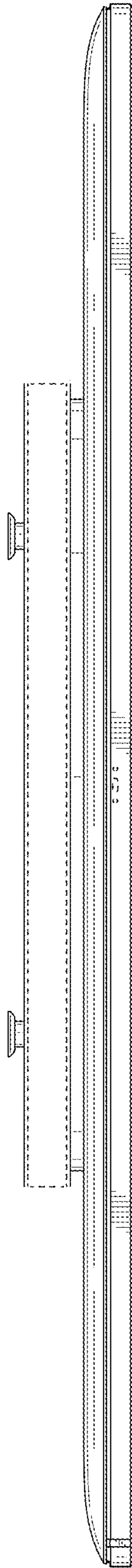


FIG. 8

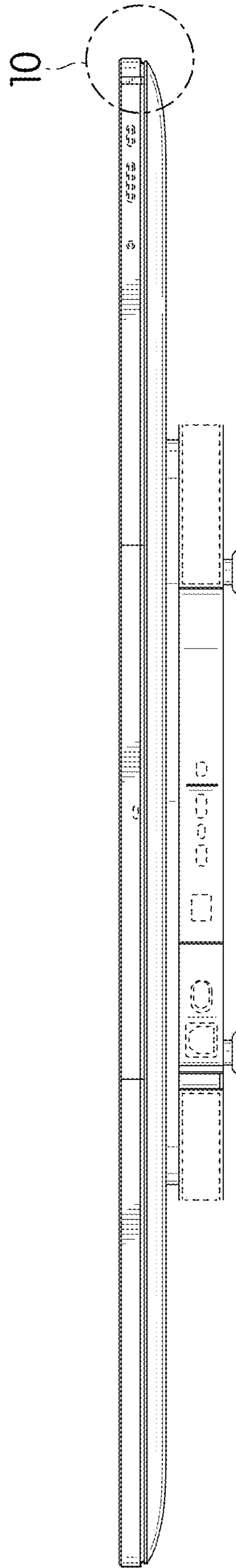


FIG. 9

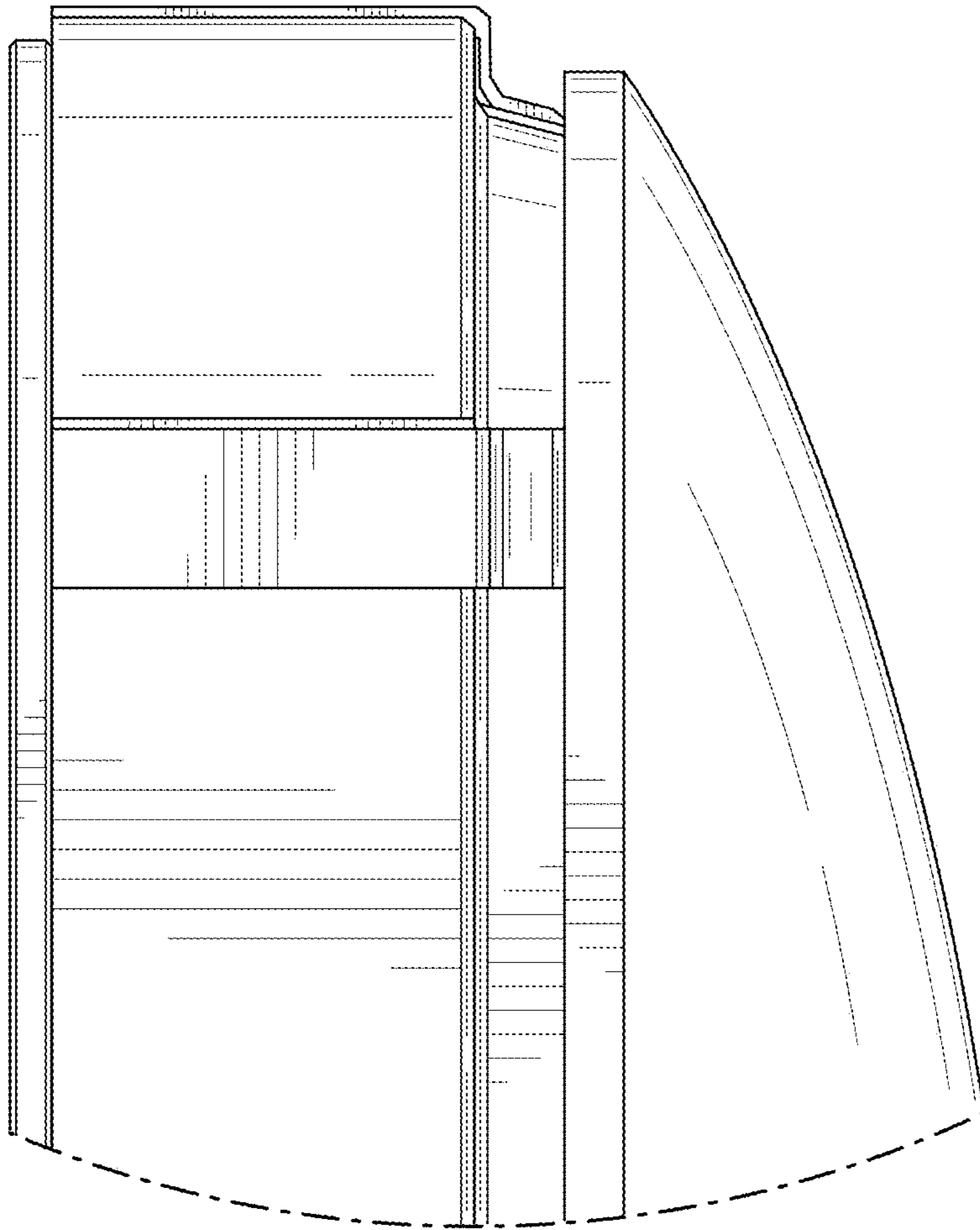


FIG. 10

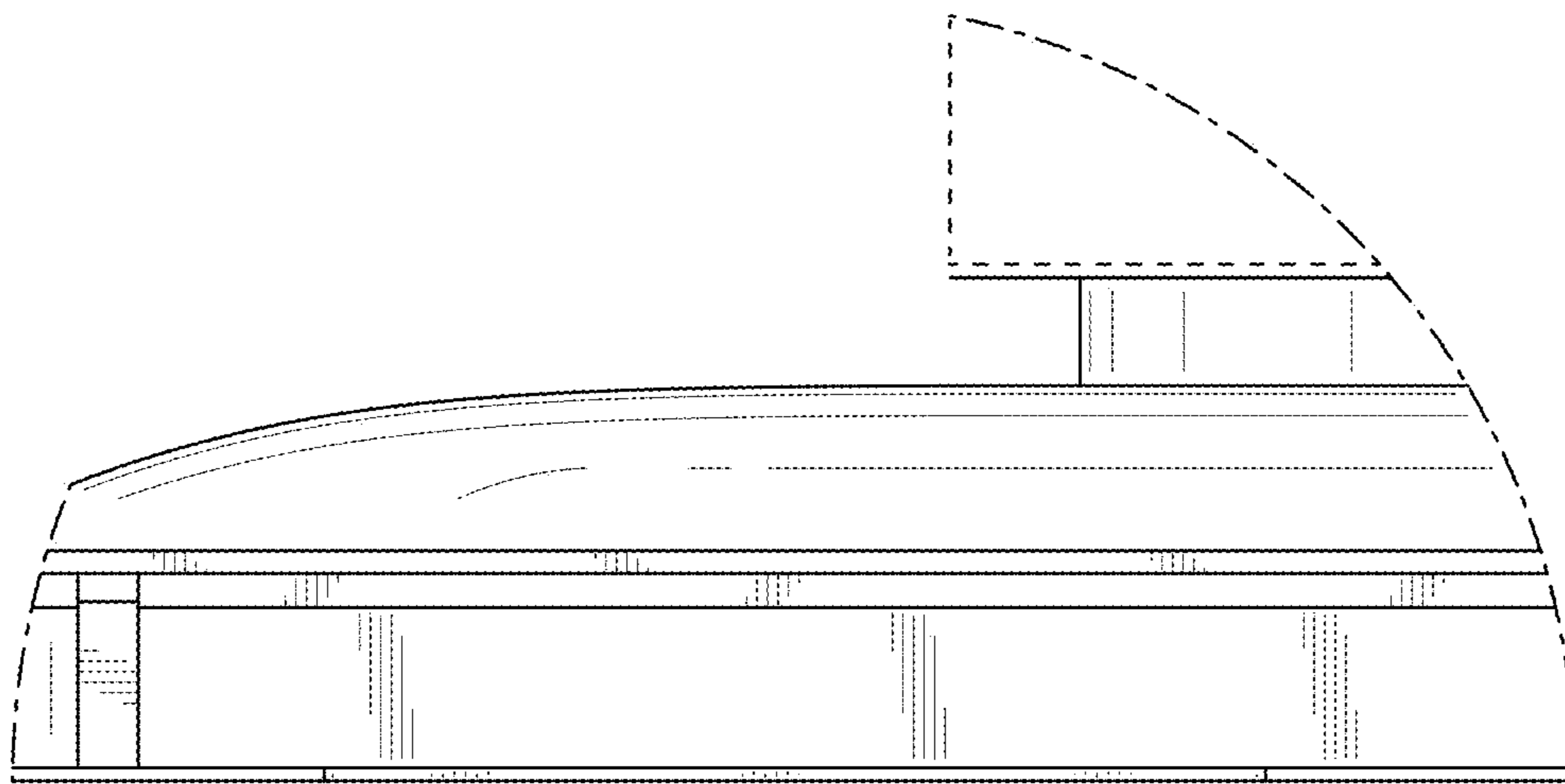


FIG. 11