



US00D924234S

(12) **United States Design Patent**  
**Meng**

(10) **Patent No.:** **US D924,234 S**

(45) **Date of Patent:** **\*\* Jul. 6, 2021**

- (54) **VIRTUAL REALITY HEADSET**
- (71) Applicant: **DONGGUAN LINQI ELECTRONIC TECHNOLOGY CO., LTD.,**  
Dongguan (CN)
- (72) Inventor: **Kunsheng Meng, Dongguan (CN)**
- (73) Assignee: **Dongguan Linqi Electronic Technology Co., Ltd., Dongguan (CN)**

D890,173 S *	7/2020	Wei .....	D14/372
D894,897 S *	9/2020	Wei .....	D14/372
D896,221 S *	9/2020	Lee .....	D14/372
D898,025 S *	10/2020	Bhat .....	D14/372
D900,435 S *	11/2020	Huang .....	D2/871
D904,402 S *	12/2020	Marquis .....	D14/372
D905,055 S *	12/2020	Shao .....	D14/372
D910,014 S *	2/2021	Amijo .....	D14/372
D910,016 S *	2/2021	Amijo .....	D14/372
D914,019 S *	3/2021	Gao .....	D14/372
D916,702 S *	4/2021	Newsom .....	D14/372

- (\*\*) Term: **15 Years**
- (21) Appl. No.: **29/757,144**

\* cited by examiner

*Primary Examiner* — Austin Murphy

- (22) Filed: **Nov. 3, 2020**
- (51) **LOC (13) Cl.** ..... **14-02**
- (52) **U.S. Cl.**  
USPC ..... **D14/372**
- (58) **Field of Classification Search**  
USPC ..... D14/372, 496, 432, 371, 125, 126, 129,  
D14/299; D16/300–342; 351/158, 153,  
351/144; 345/7–9, 905; 455/344;  
348/115, 53, 121, 739  
CPC ..... G02B 27/017; G02B 27/0158; G02B  
27/0161; G02B 27/0181; G02B 27/0185;  
G02B 27/0189

(57) **CLAIM**

The ornamental design for a virtual reality headset, as shown and described.

**DESCRIPTION**

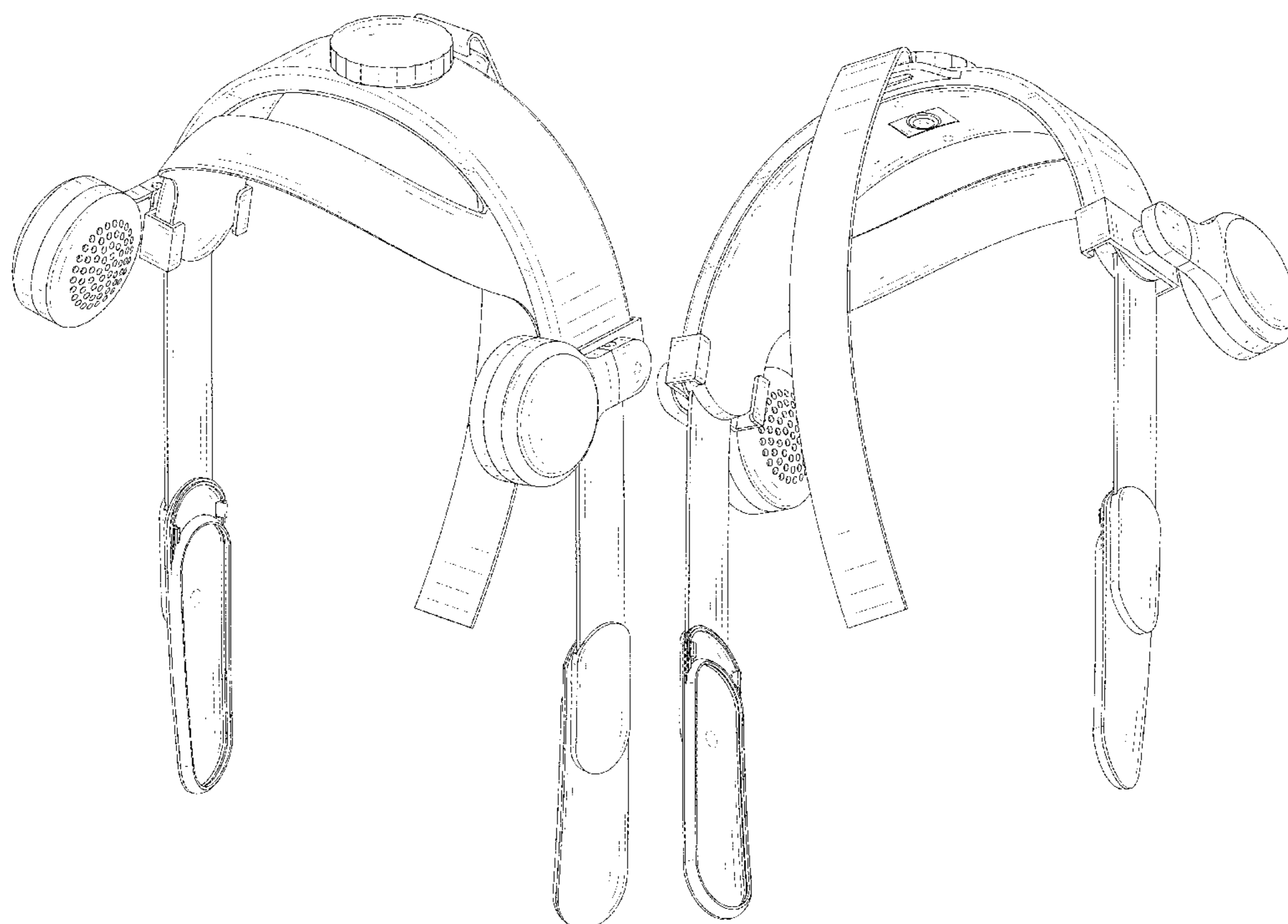
FIG. 1 is a perspective view of a virtual reality headset showing my new design;  
 FIG. 2 is another perspective view thereof;  
 FIG. 3 is a front elevational view thereof;  
 FIG. 4 is a rear elevational view thereof;  
 FIG. 5 is a left side elevational view thereof;  
 FIG. 6 is a right side elevational view thereof;  
 FIG. 7 is a top plan view thereof;  
 FIG. 8 is a bottom plan view thereof; and,  
 FIG. 9 is an exploded perspective view of the virtual reality headset.

The broken lines in the drawings depict portions of the virtual reality headset that form no part of the claimed design.

(56) **References Cited**  
U.S. PATENT DOCUMENTS

D701,208 S	3/2014	Luckey et al.	
D822,659 S	7/2018	Spio	
D890,171 S *	7/2020	Wei .....	D14/372
D890,172 S *	7/2020	Wei .....	D14/372

**1 Claim, 9 Drawing Sheets**



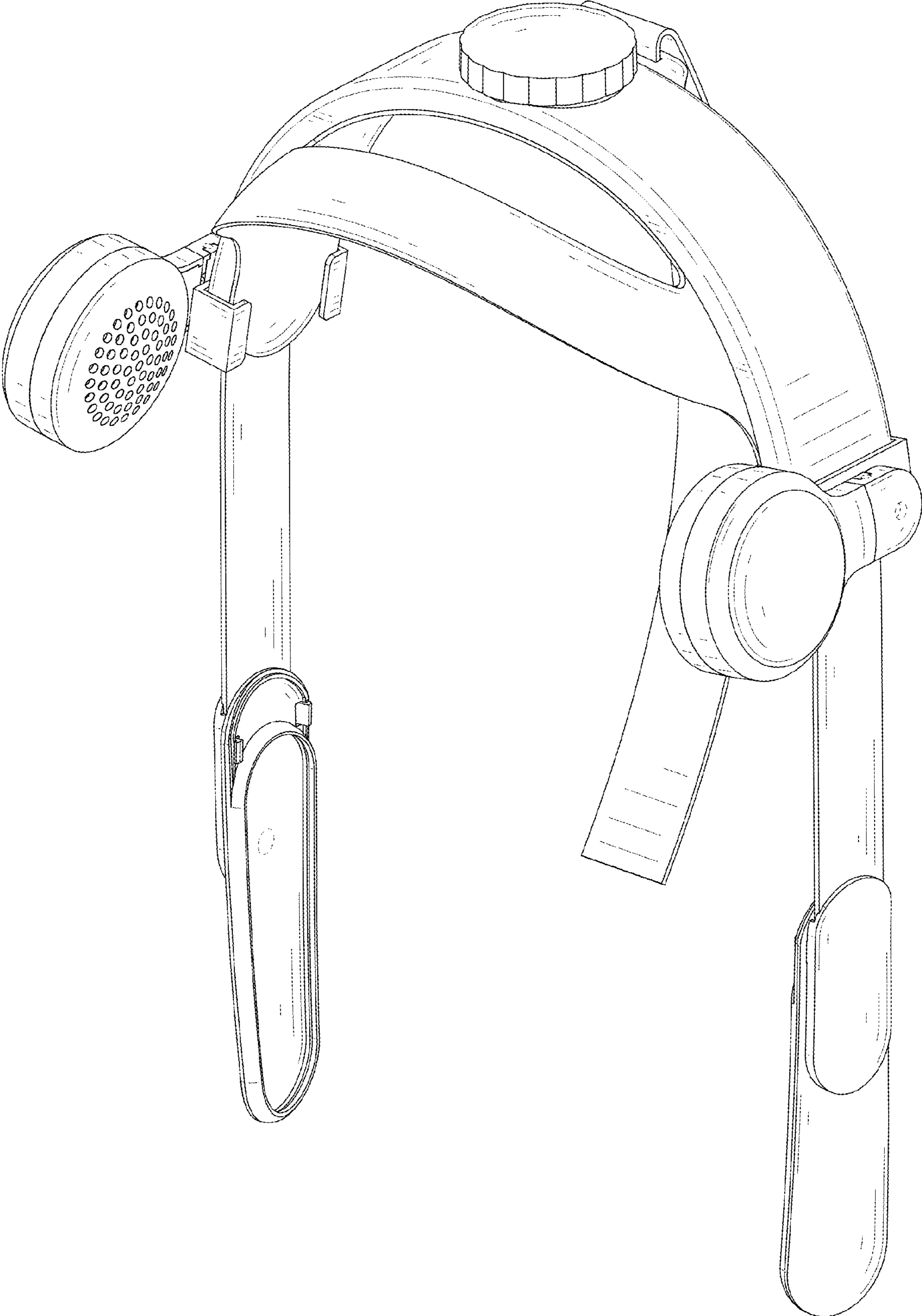


FIG. 1

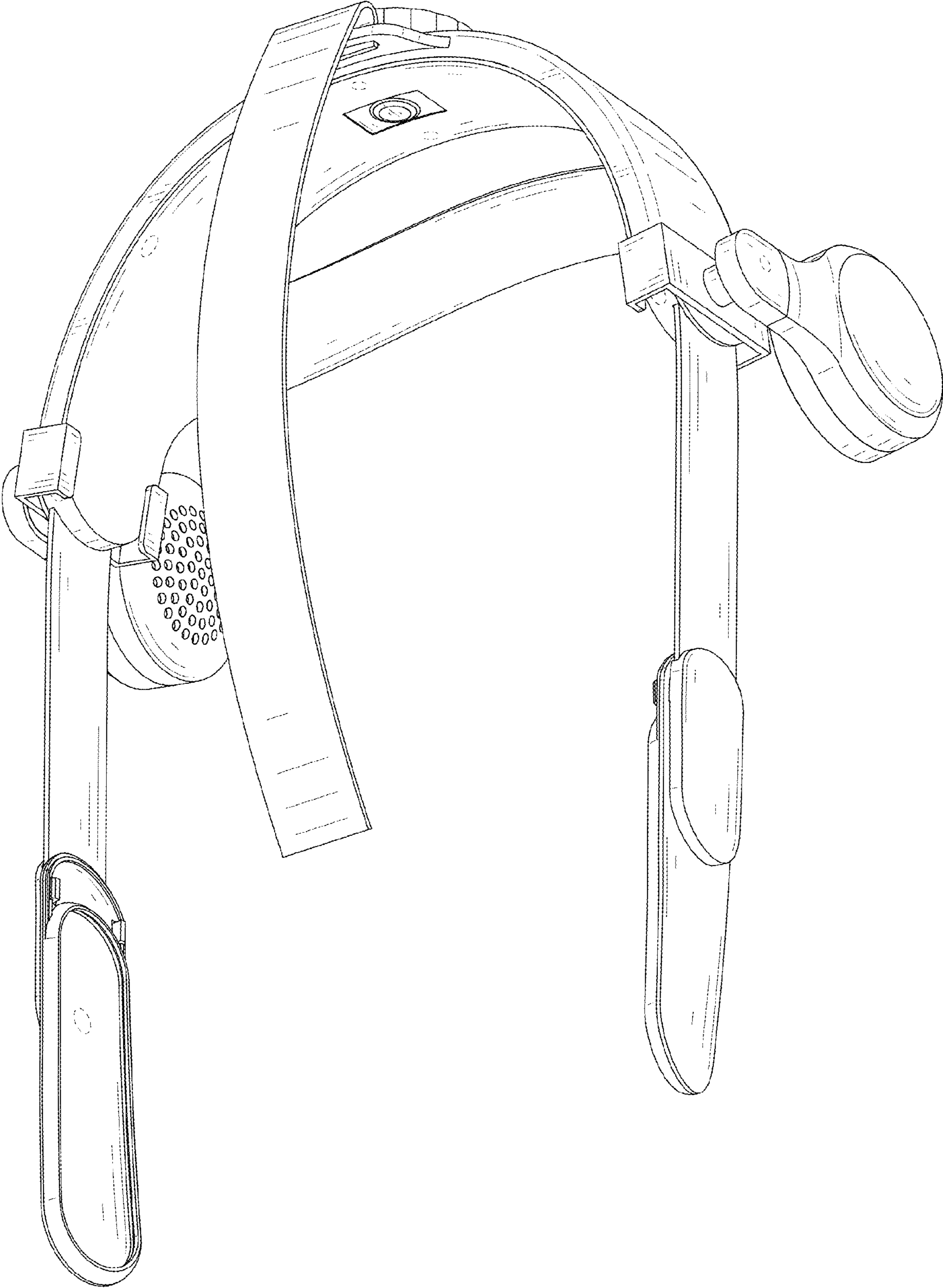


FIG. 2

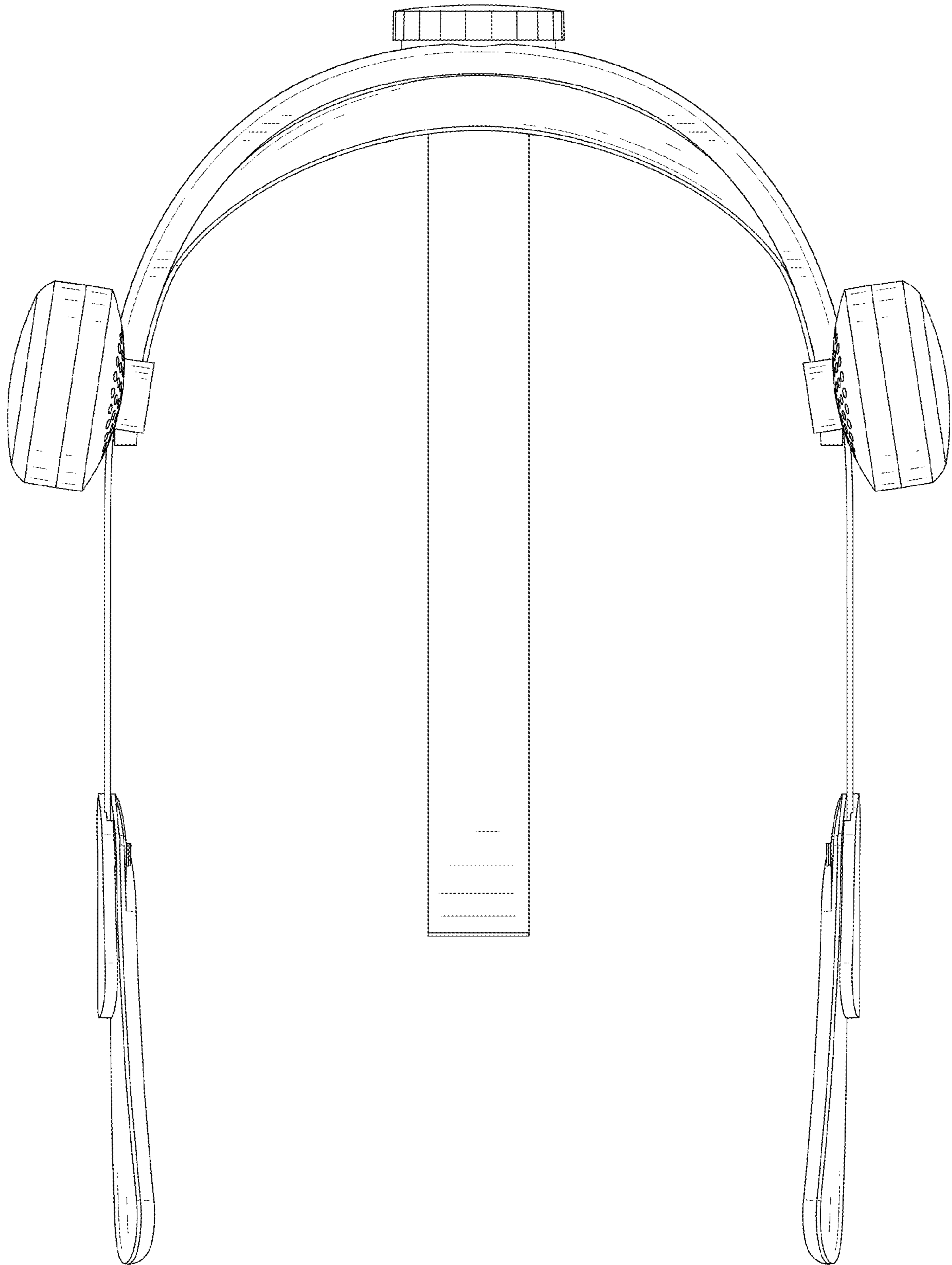


FIG. 3

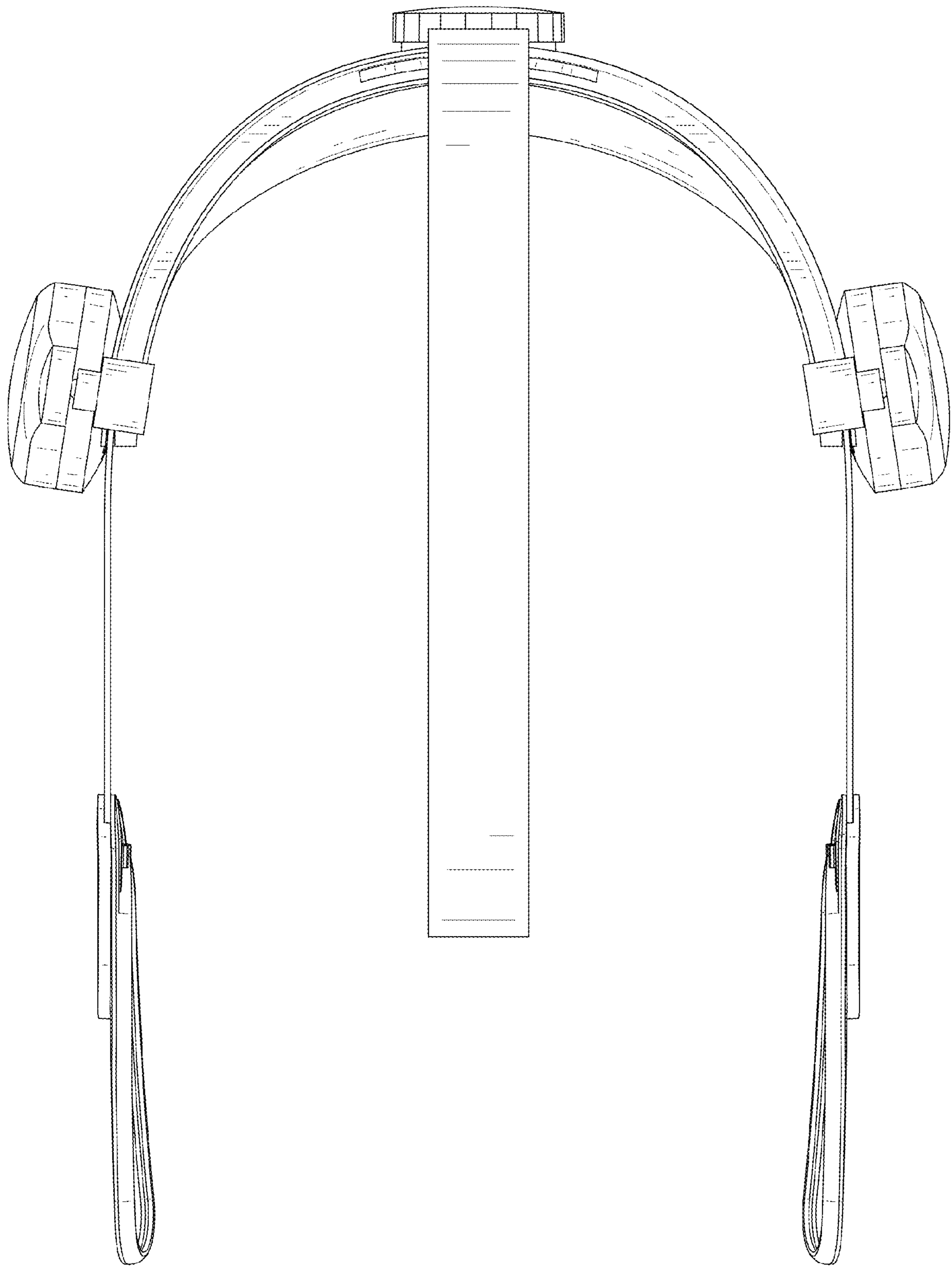


FIG. 4

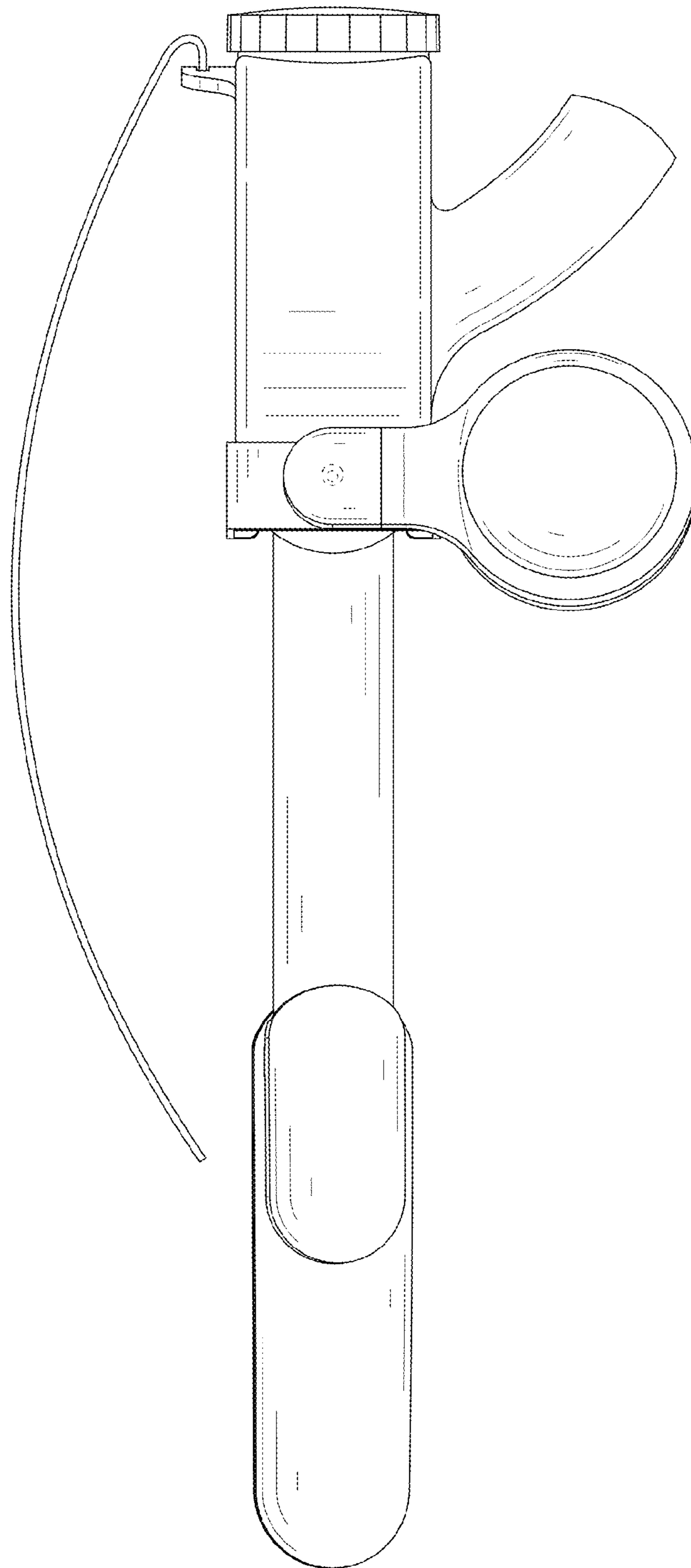


FIG. 5

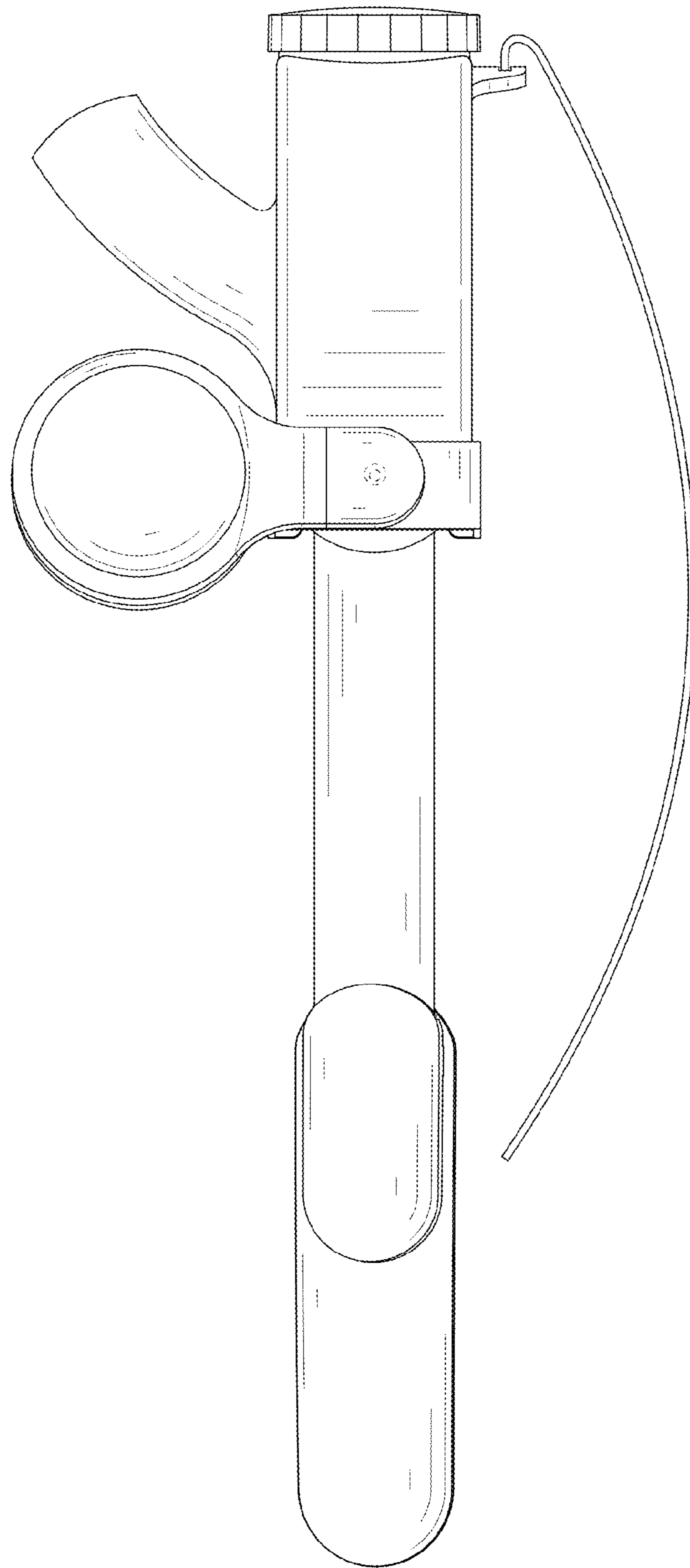


FIG. 6

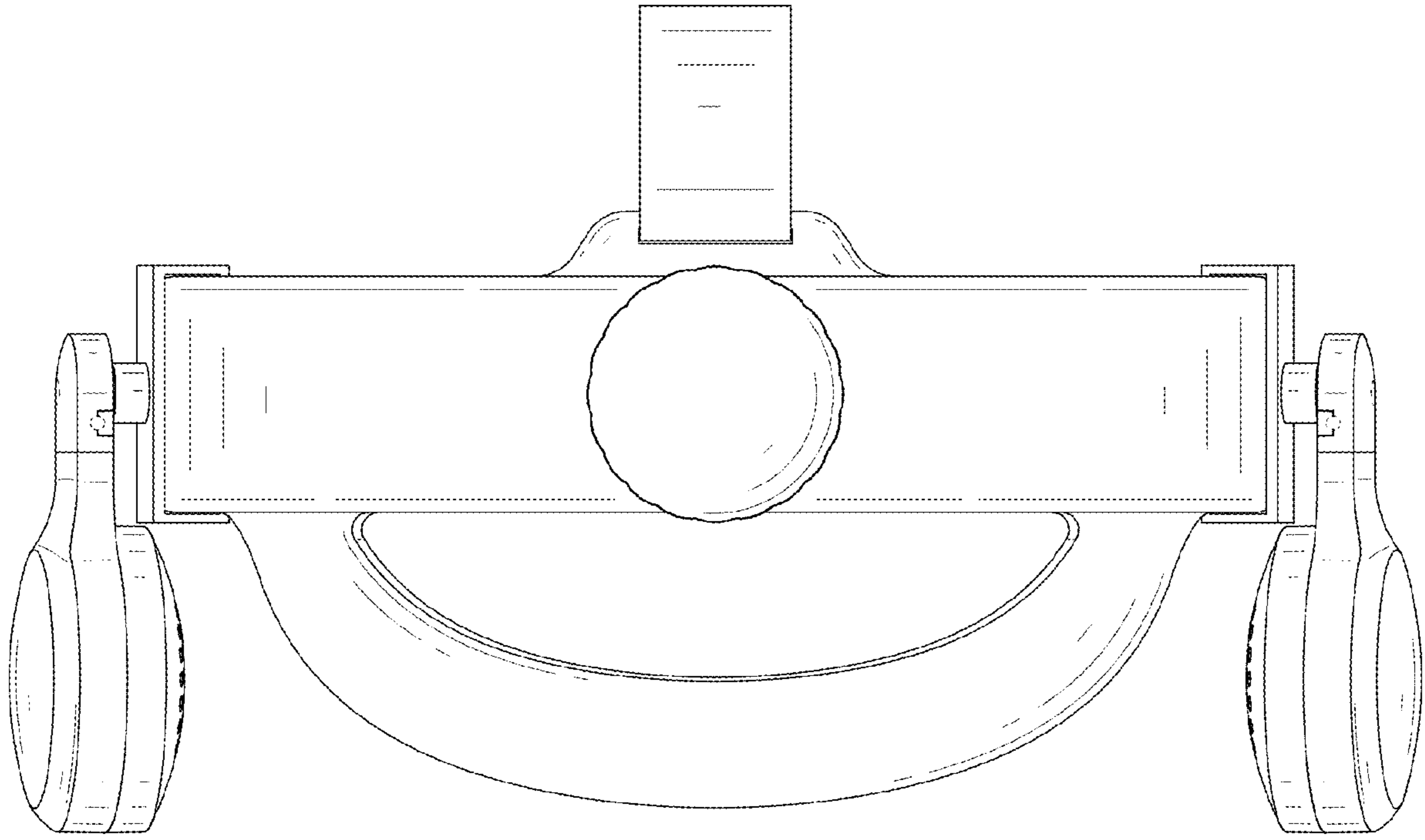


FIG. 7



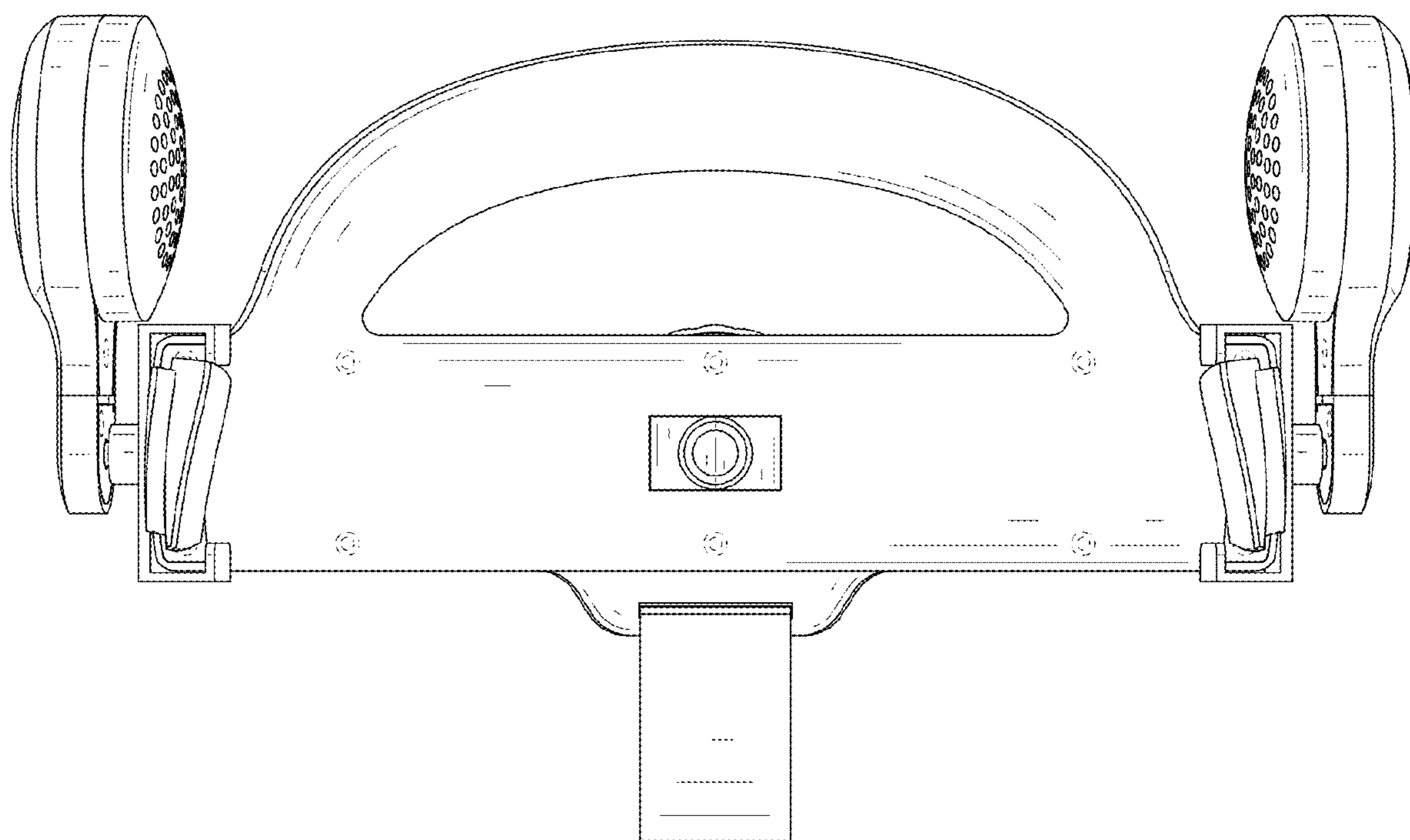


FIG. 8

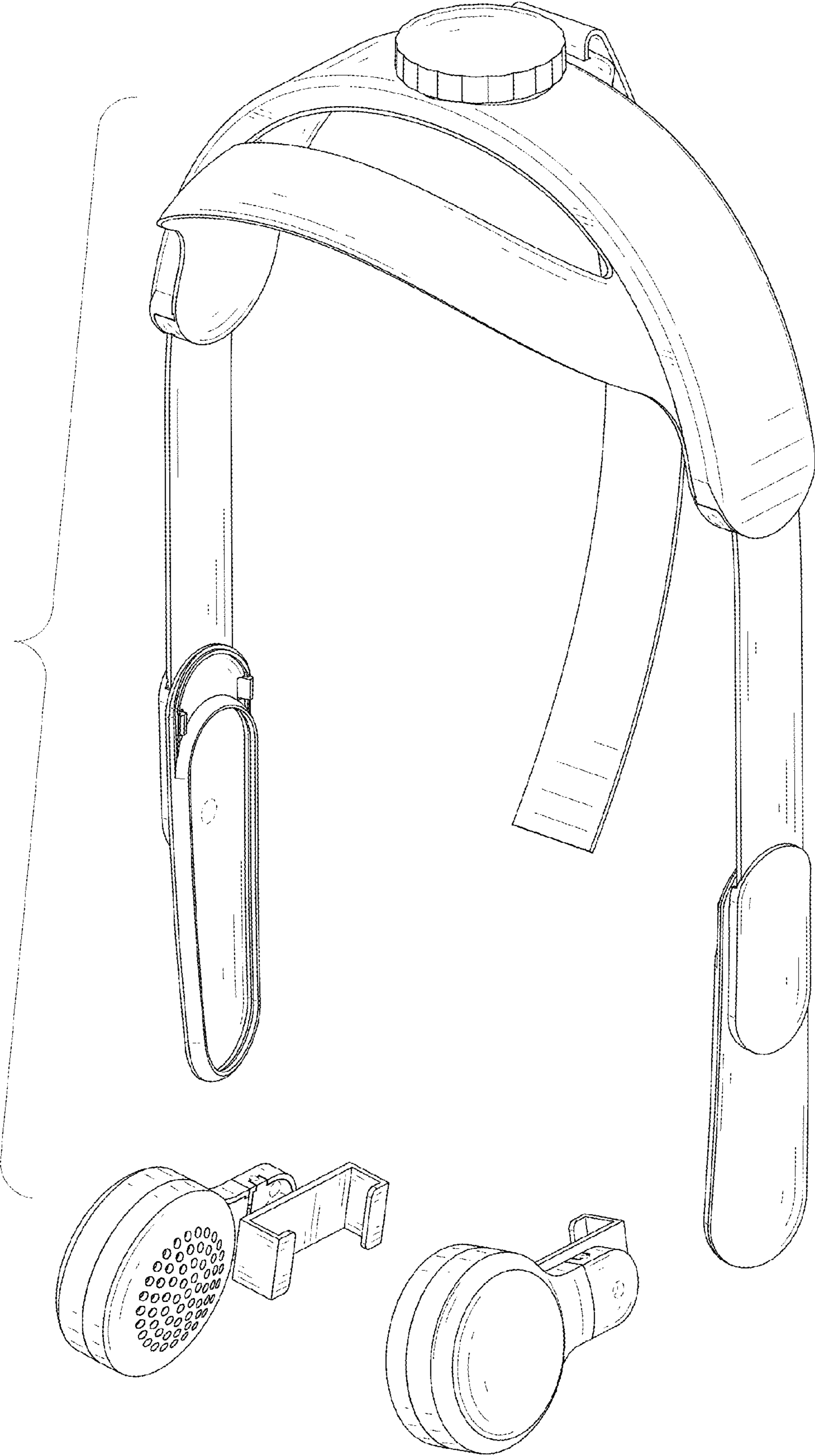


FIG. 9