



US00D924233S

(12) **United States Design Patent** (10) **Patent No.:** **US D924,233 S**
Kang et al. (45) **Date of Patent:** **** Jul. 6, 2021**

(54) **MONITOR FOR A COMPUTER**

(71) Applicant: **LG ELECTRONICS INC.**, Seoul (KR)
(72) Inventors: **Seokkyu Kang**, Seoul (KR); **Yeonjin Kim**, Seoul (KR); **Daihyung Ryu**, Seoul (KR)
(73) Assignee: **LG ELECTRONICS INC.**, Seoul (KR)
(**) Term: **15 Years**

(21) Appl. No.: **35/509,307**
(22) Filed: **May 31, 2019**

(80) **Hague Agreement Data**

Int. Filing Date: **May 31, 2019**
Int. Reg. No.: **DM/207597**
Int. Reg. Date: **May 31, 2019**
Int. Reg. Pub. Date: **May 8, 2020**

(30) **Foreign Application Priority Data**

Dec. 11, 2018 (KR) 30-2018-0058227

(51) **LOC (13) Cl.** **14-03**

(52) **U.S. Cl.**
USPC **D14/371**

(58) **Field of Classification Search**
USPC D14/125-129, 132, 134, 203.3, 203.7,
D14/300, 308, 310, 336, 341, 373-377;
D21/330

(Continued)

(56) **References Cited**

U.S. PATENT DOCUMENTS

D618,682 S * 6/2010 Haase D14/371
D635,975 S * 4/2011 Seo D14/374

(Continued)

OTHER PUBLICATIONS

Samsung CHG70 32" Quantum Dot HDR Curved Gaming Monitor Hands-On, publication Oct. 26, 2017, [online][site visited Mar. 19, 2021] URL: <https://www.avsforum.com/threads/samsung-chg70-32-quantum-dot-hdr-curved-gaming-monitor-hands-on.2917114/> (Year: 2017).*

(Continued)

Primary Examiner — George D. Kirschbaum

Assistant Examiner — L. A. Grabenstetter

(74) *Attorney, Agent, or Firm* — Birch, Stewart, Kolasch & Birch, LLP

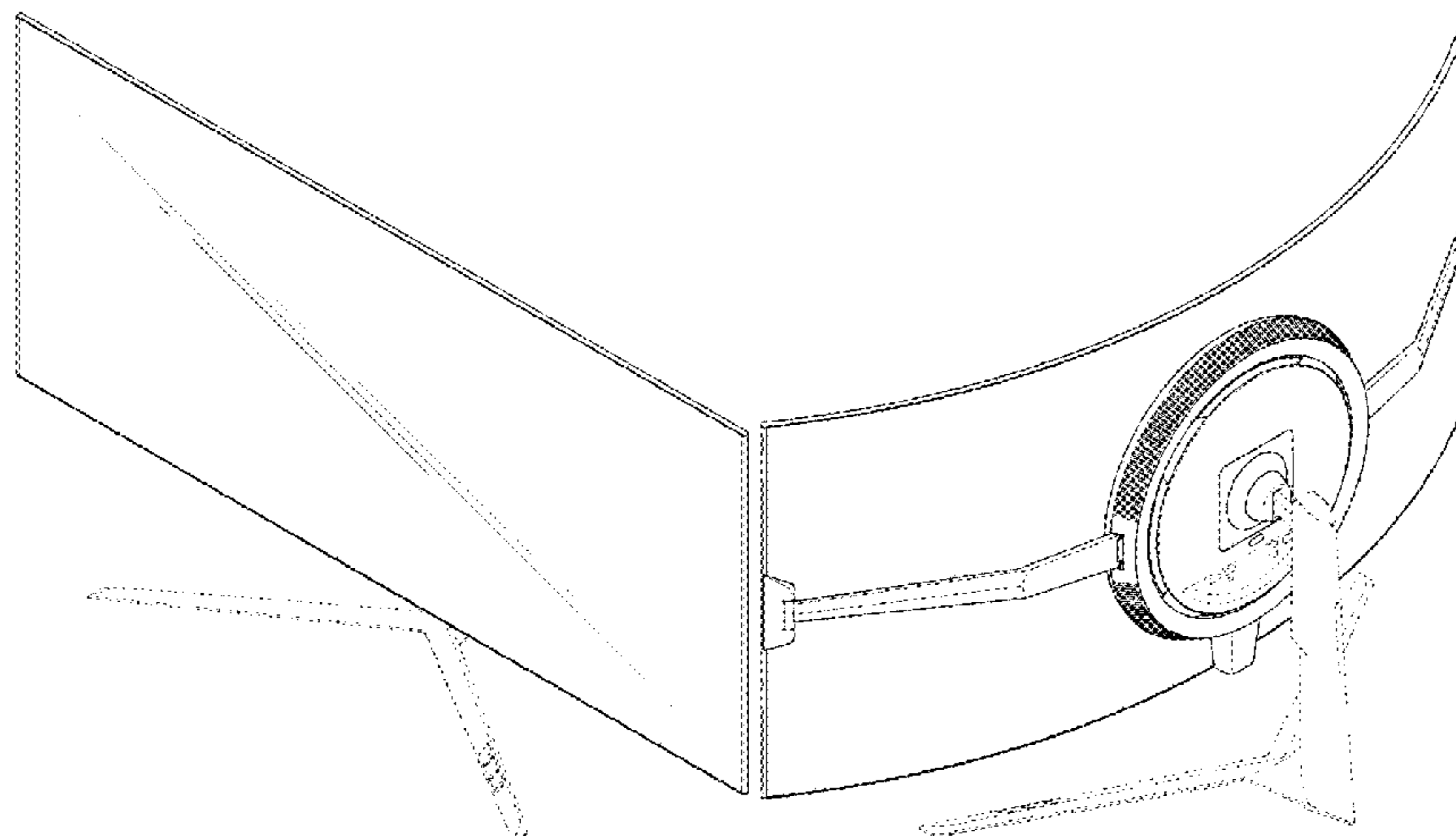
(57) **CLAIM**

The ornamental design for a monitor for a computer, as shown and described.

DESCRIPTION

- 1. Monitor for computer
- 1.1 : Front perspective view of our new design, showing the monitor for a computer in a flattened configuration
- 1.2 : Rear perspective view thereof
- 1.3 : Front view thereof
- 1.4 : Rear view thereof
- 1.5 : Left view thereof
- 1.6 : Right view thereof
- 1.7 : Top view thereof
- 1.8 : Bottom view thereof
- 1.9 : Front perspective view showing the monitor for a computer in a partially curved configuration
- 1.10 : Rear perspective view thereof
- 1.11 : Front view thereof
- 1.12 : Rear view thereof
- 1.13 : Left view thereof
- 1.14 : Right view thereof
- 1.15 : Top view thereof
- 1.16 : Bottom view thereof
- 1.17 : Front perspective view showing the monitor for a computer in a fully curved configuration
- 1.18 : Rear perspective view thereof
- 1.19 : Front view thereof
- 1.20 : Rear view thereof

(Continued)



- 1.21 : Left view thereof
- 1.22 : Right view thereof
- 1.23 : Top view thereof
- 1.24 : Bottom view thereof

The broken lines indicate portions of the article that form no part of the claimed design.

D797,738 S *	9/2017	Won	D14/374
D805,516 S *	12/2017	Bae	D14/374
D806,662 S *	1/2018	Lee	D14/126
D807,310 S *	1/2018	Lee	D14/126
D816,631 S *	5/2018	Kim	D14/126
D831,647 S *	10/2018	Woo	D14/374
D888,677 S *	6/2020	Ryu	D14/126
D900,815 S *	11/2020	Kang	D14/371

1 Claim, 24 Drawing Sheets

- (58) **Field of Classification Search**
CPC G06F 1/1601; G06F 1/1605; G06F 1/162
See application file for complete search history.

- (56) **References Cited**

U.S. PATENT DOCUMENTS

D725,616 S *	3/2015	Oh	D14/126
D768,629 S *	10/2016	Bae	D14/374
D790,542 S *	6/2017	Jung	D14/374

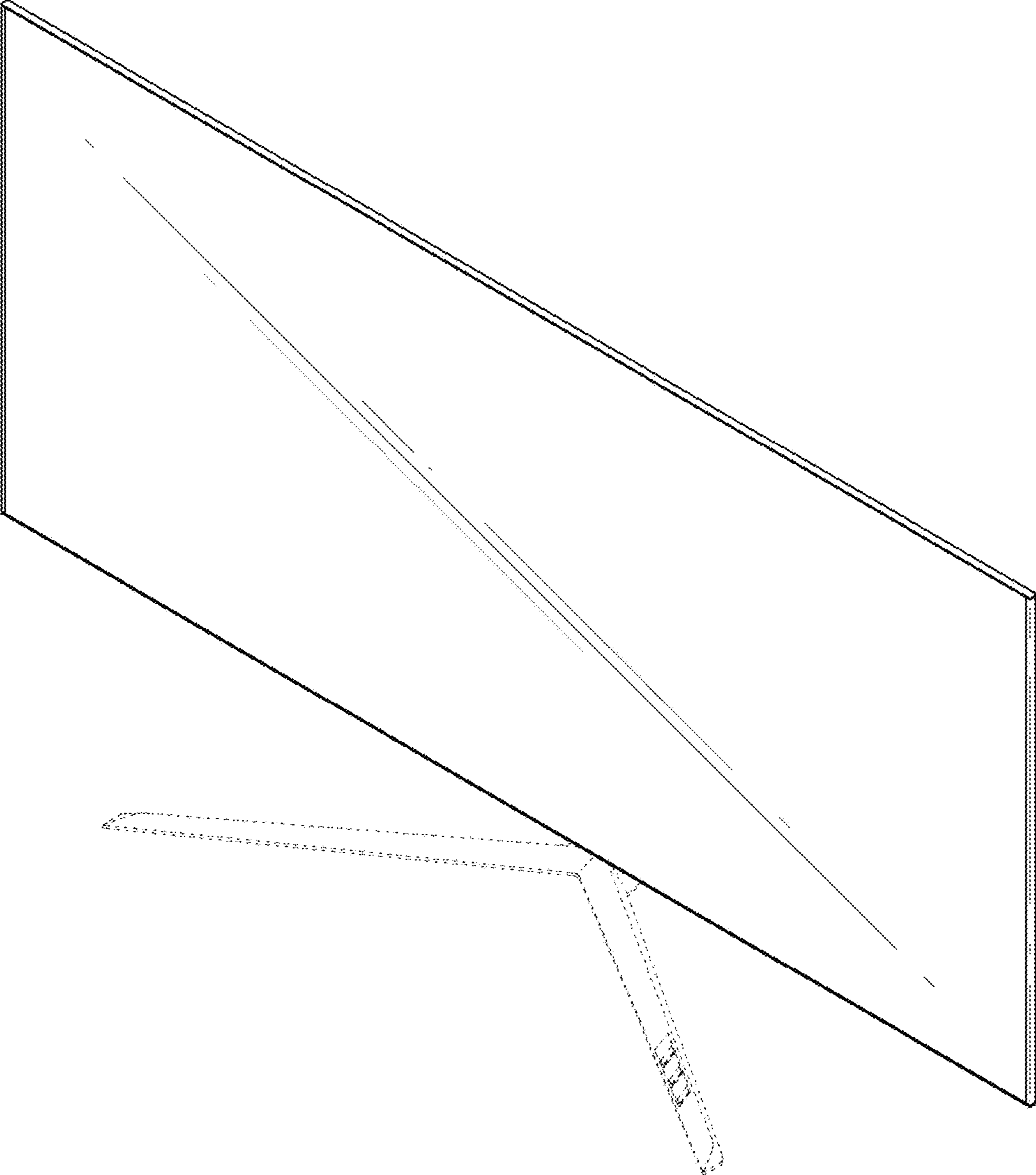
OTHER PUBLICATIONS

LG Unveils UltraGear 34GK950 34-Inch Curved Gaming Display with Nano-IPS, publication date Sep. 10, 2018, [online][site visited Mar. 19, 2021] URL: <https://www.anandtech.com/show/13342/lg-unveils-ultragear-34gk950-34-inch-curved-gaming-displays> (Year: 2018).*

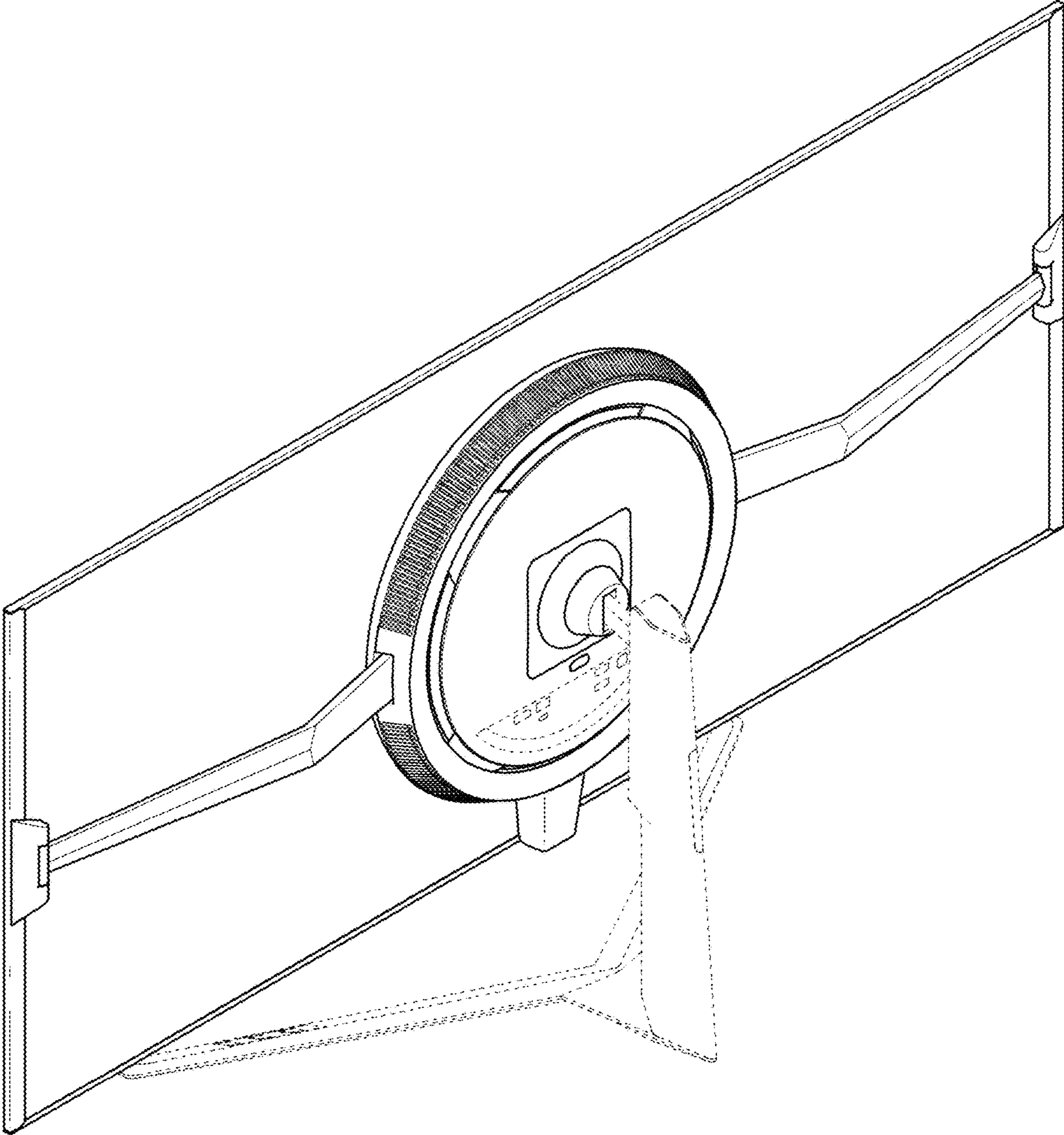
CES 2020 Best PC Monitors, publication date Jan. 10, 2020, [online][site visited Mar. 19, 2021] URL: <https://www.theverge.com/circuitbreaker/2020/1/10/21059418/ces-2020-best-pc-monitors-specs-1000r-mini-led-360hz-curved-variable-refresh> (Year: 2020).*

* cited by examiner

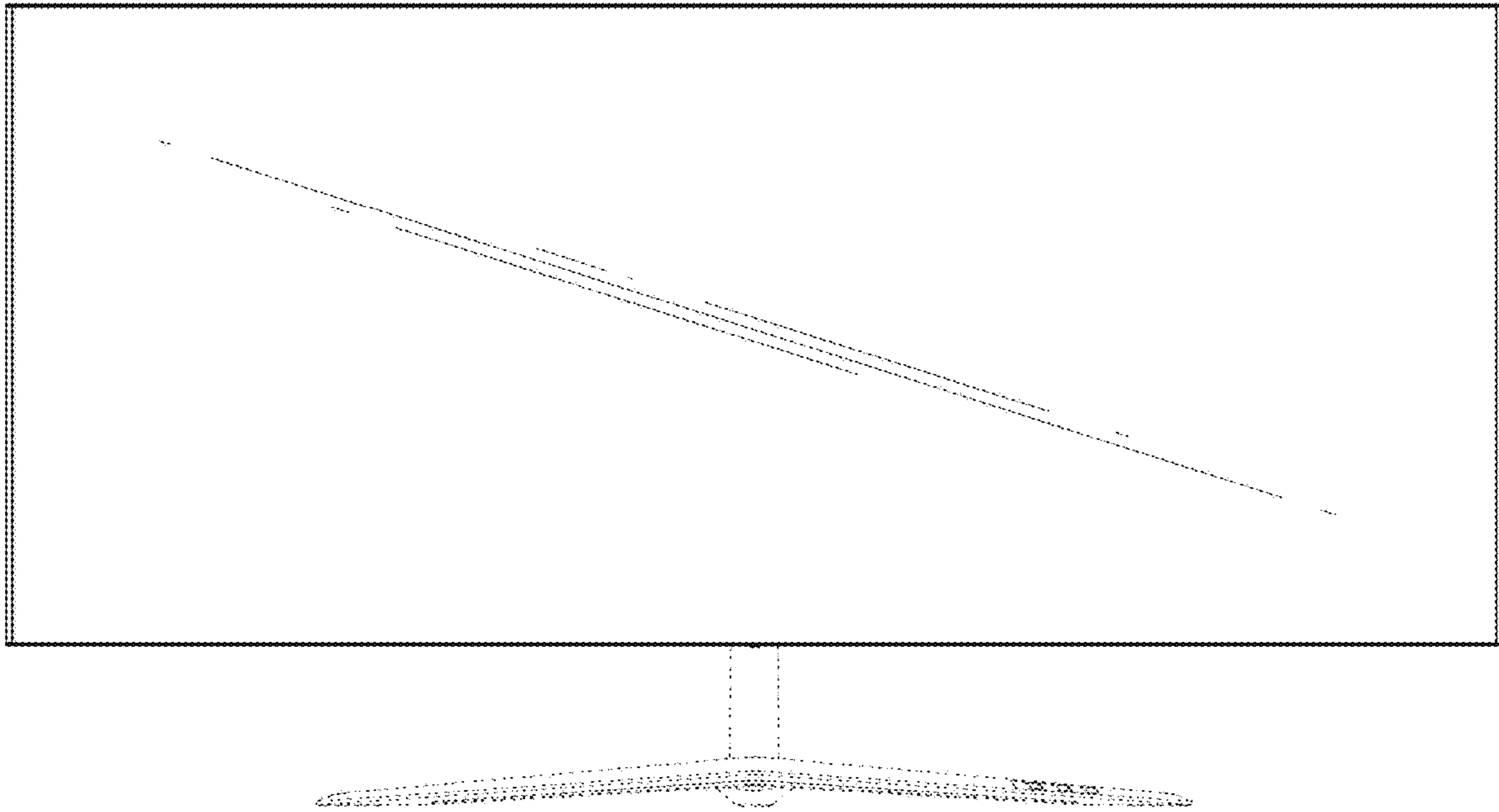
1.1



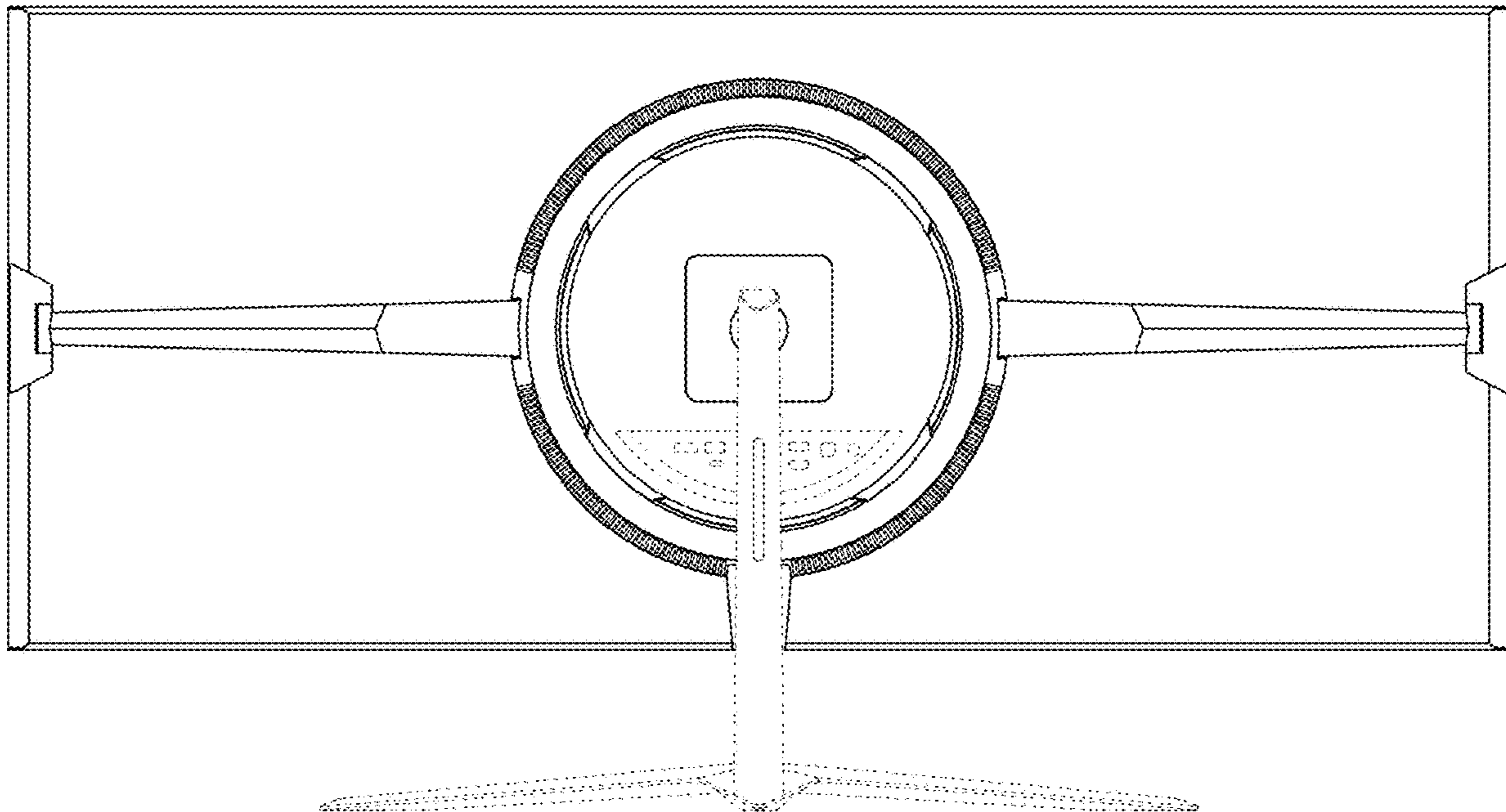
1.2



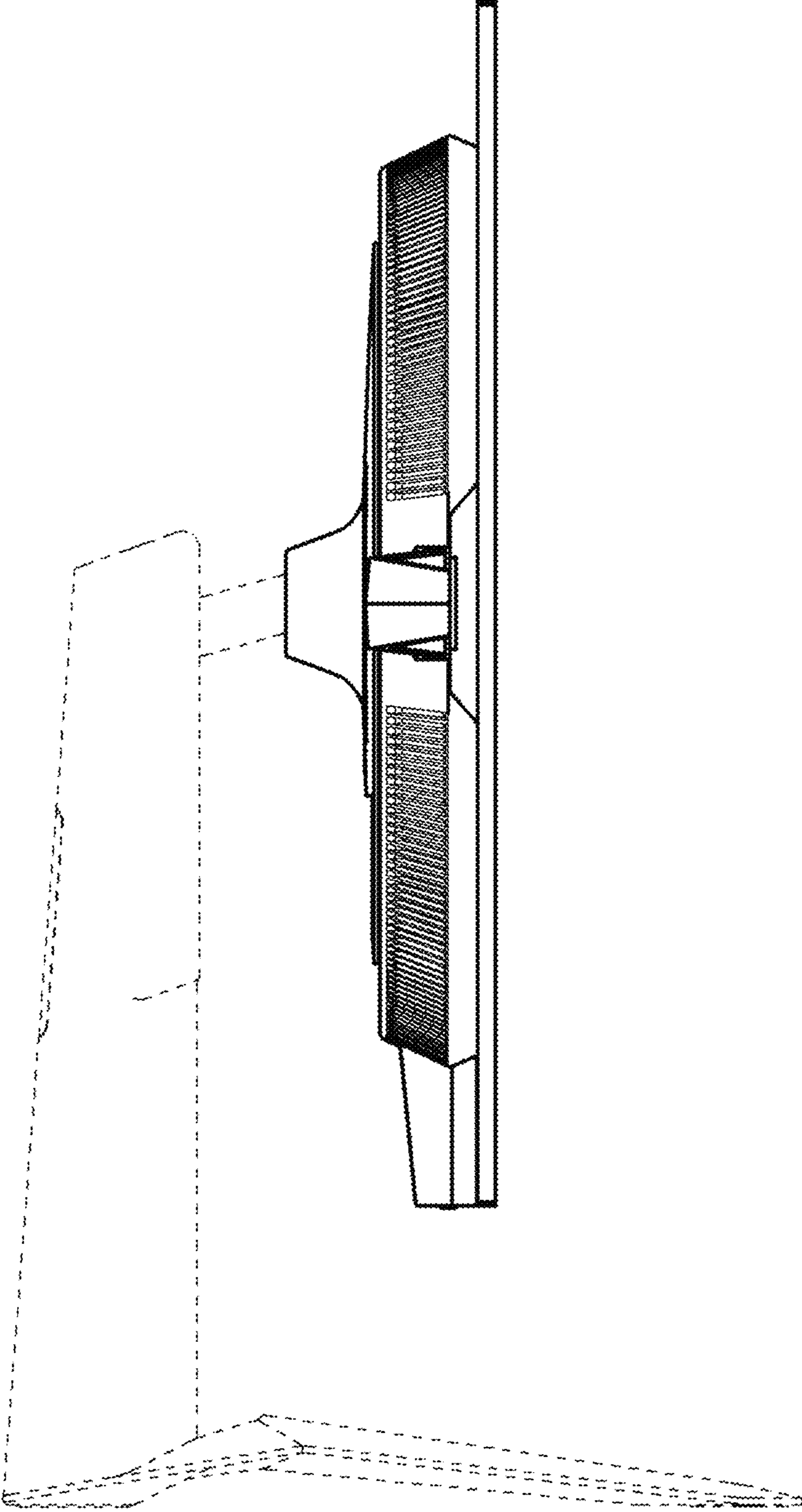
1.3



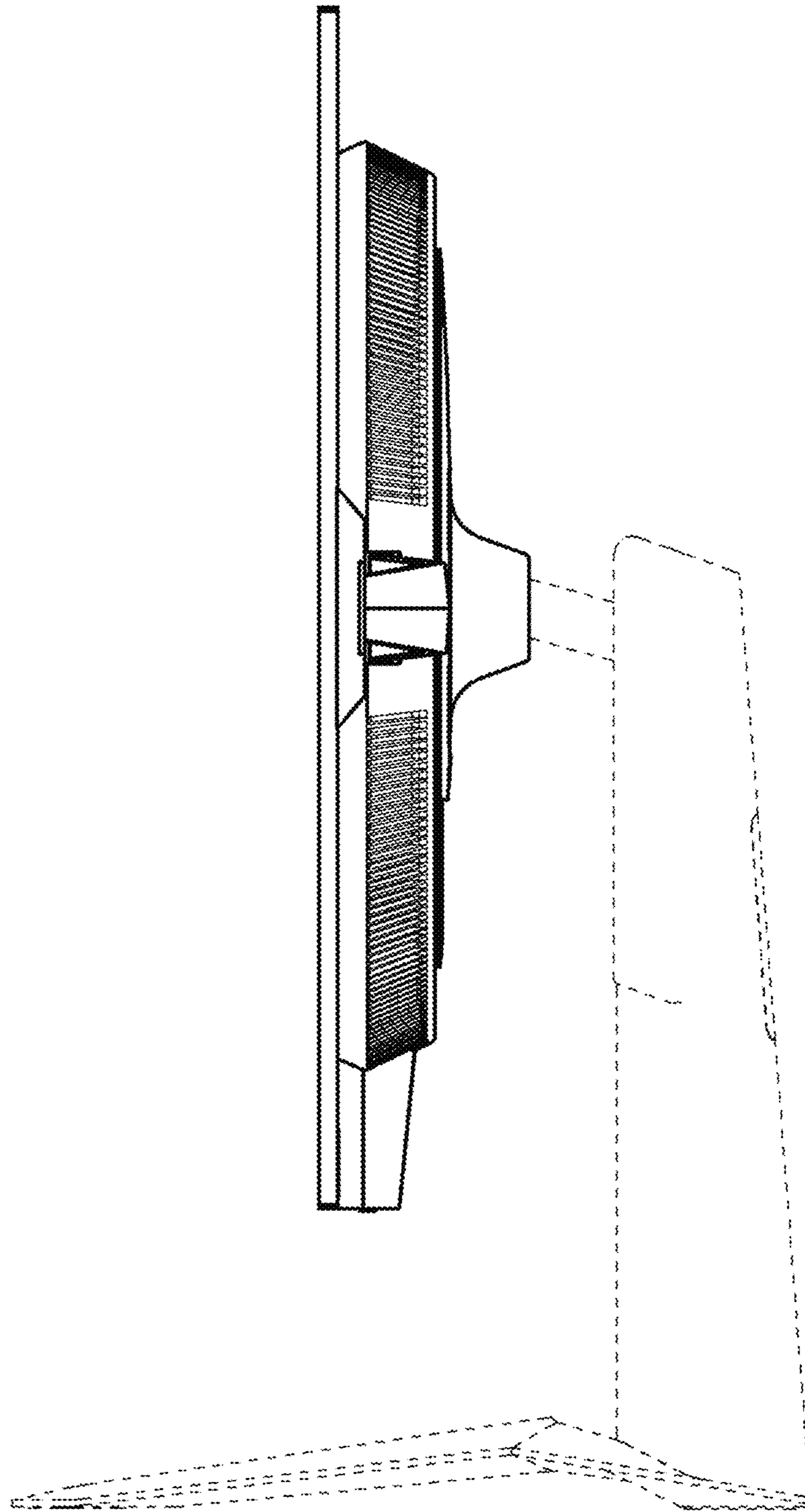
1.4



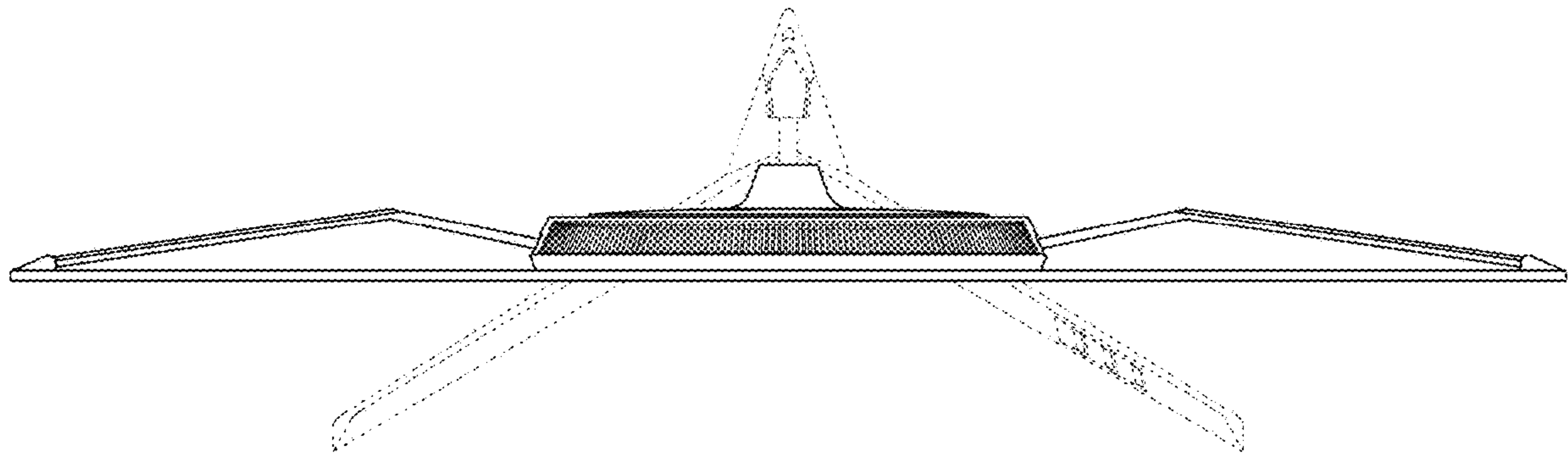
1.5



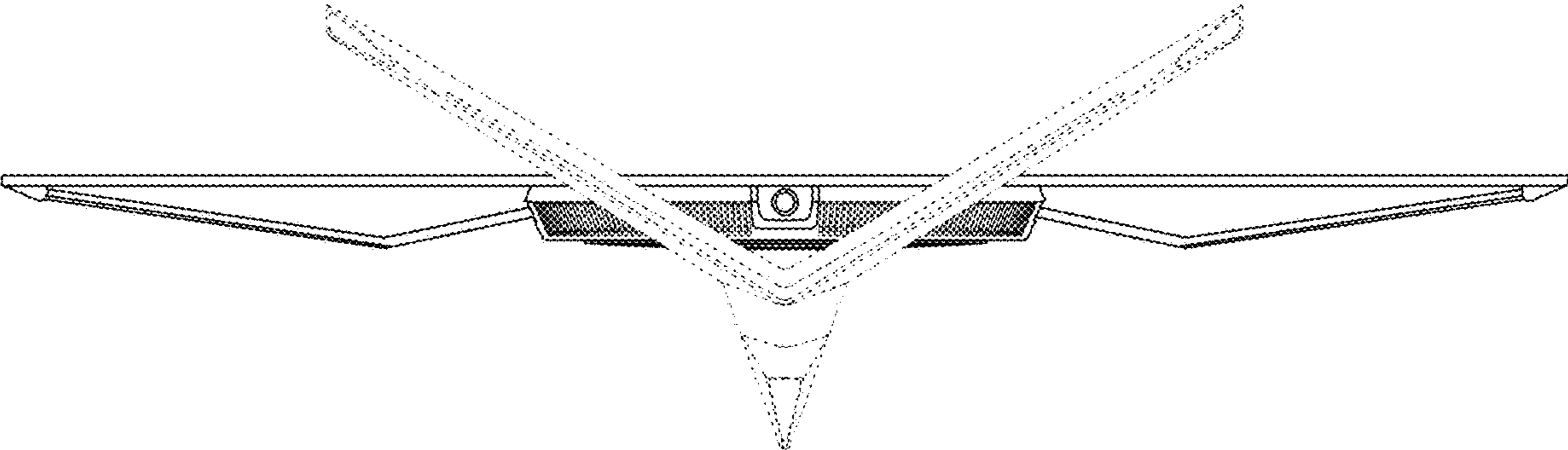
1.6



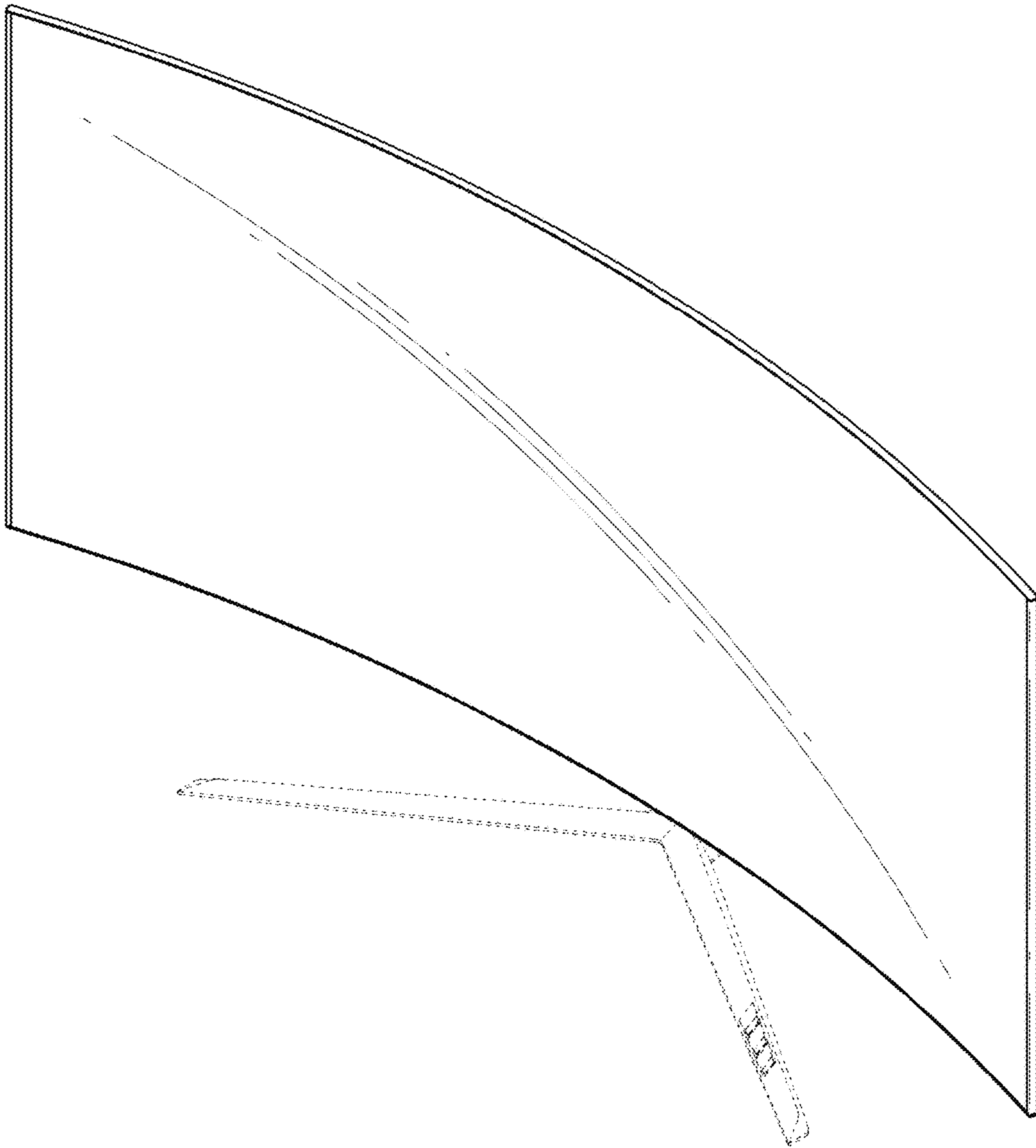
1.7



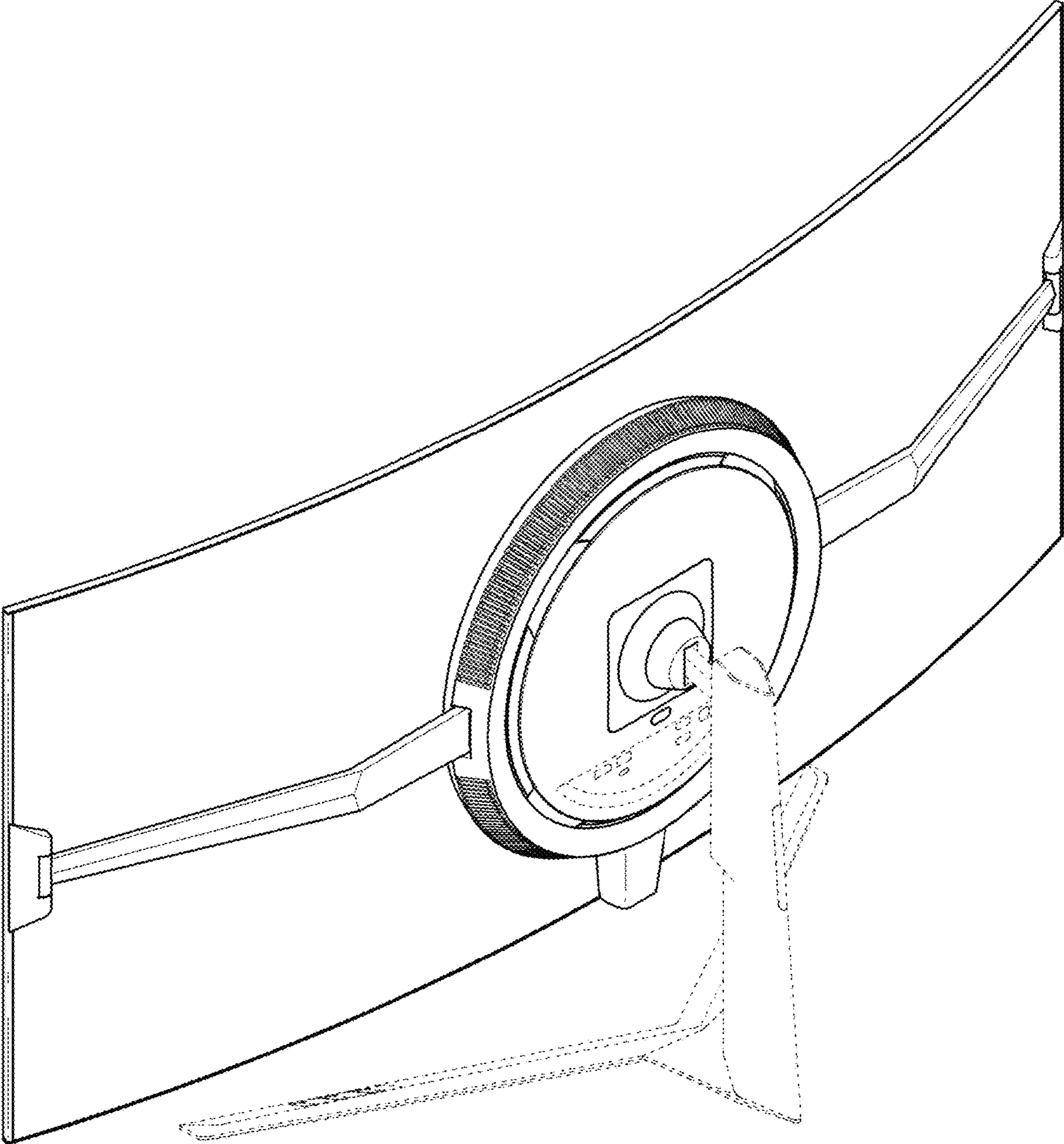
1.8



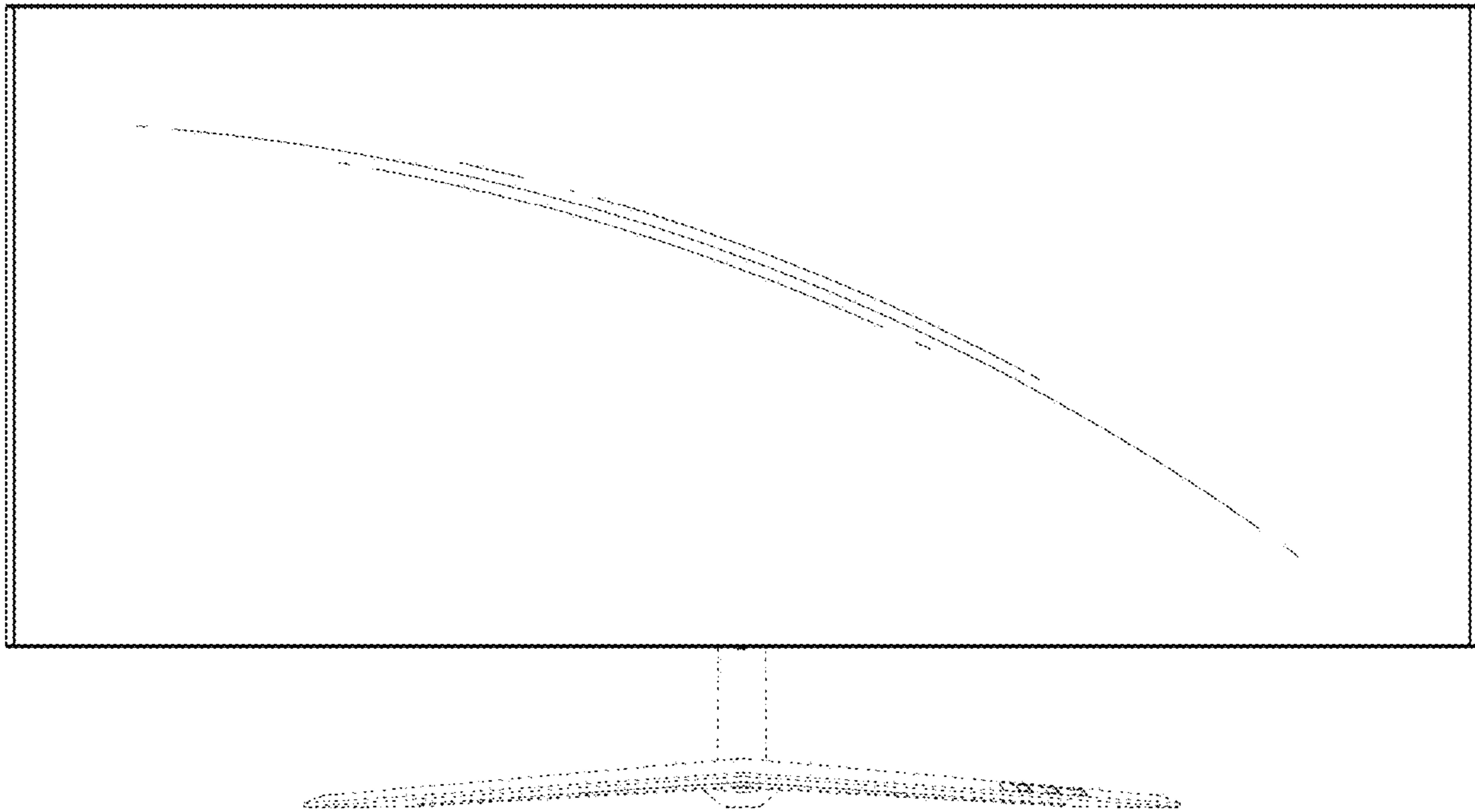
1.9



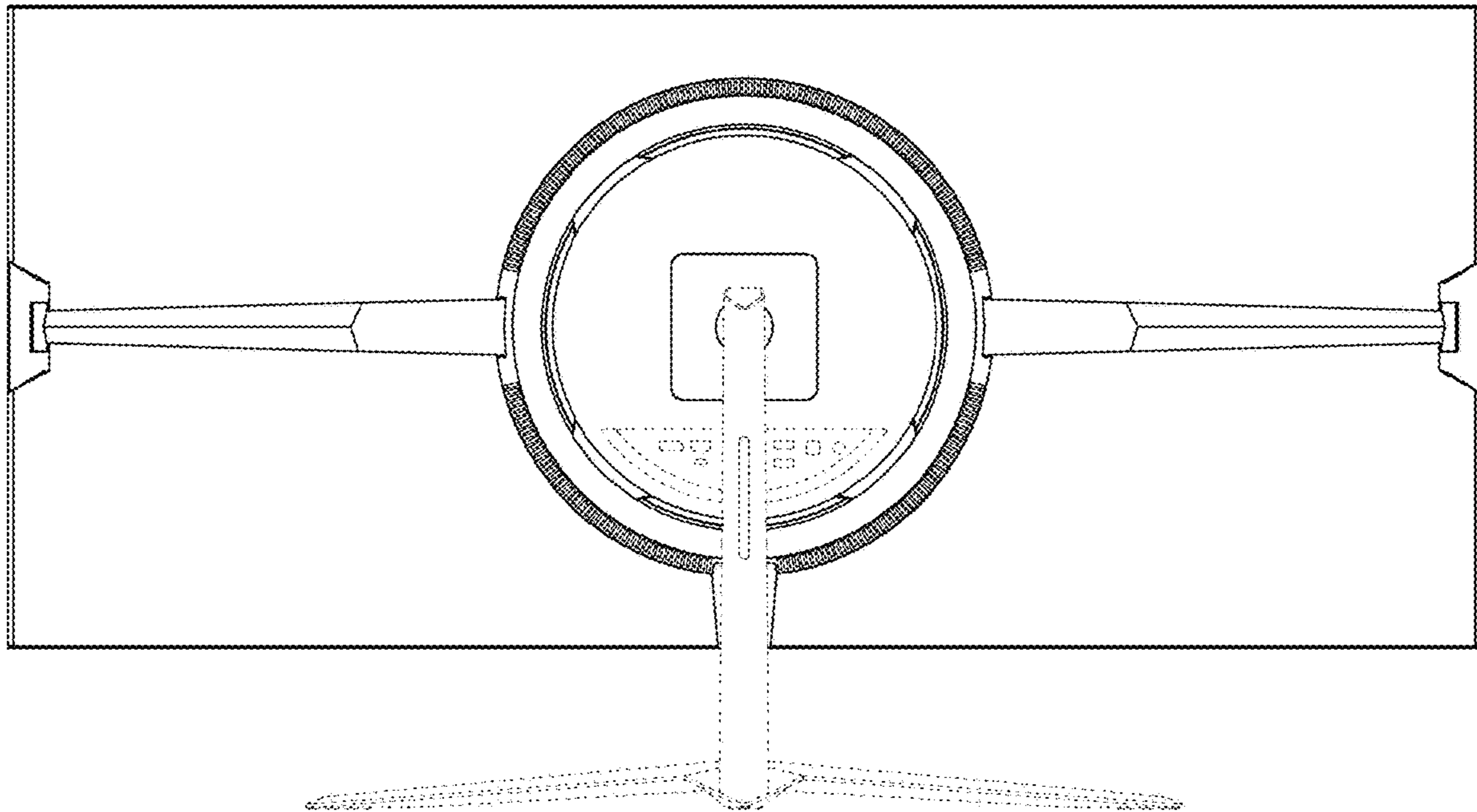
1.10



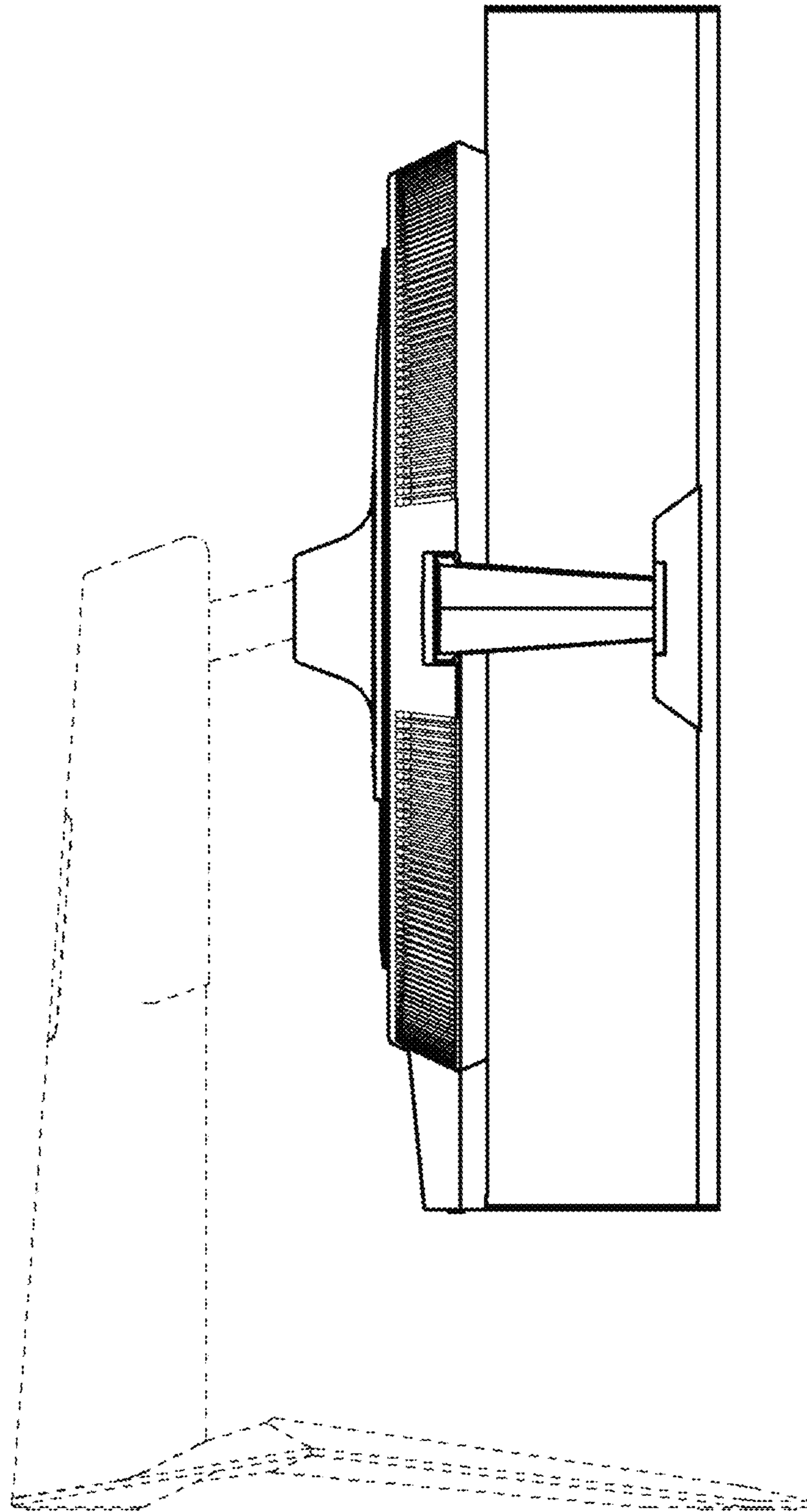
1.11



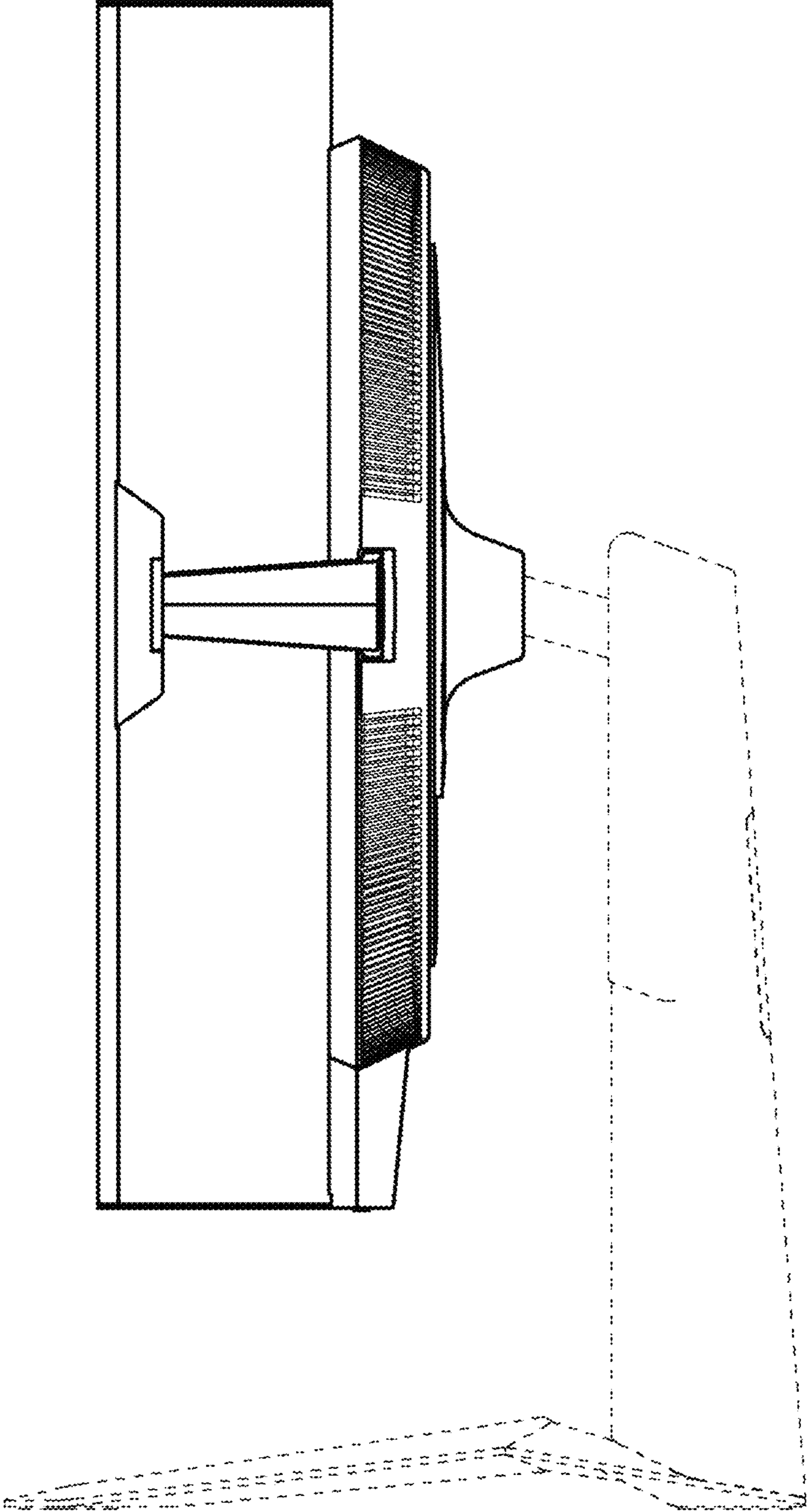
1.12



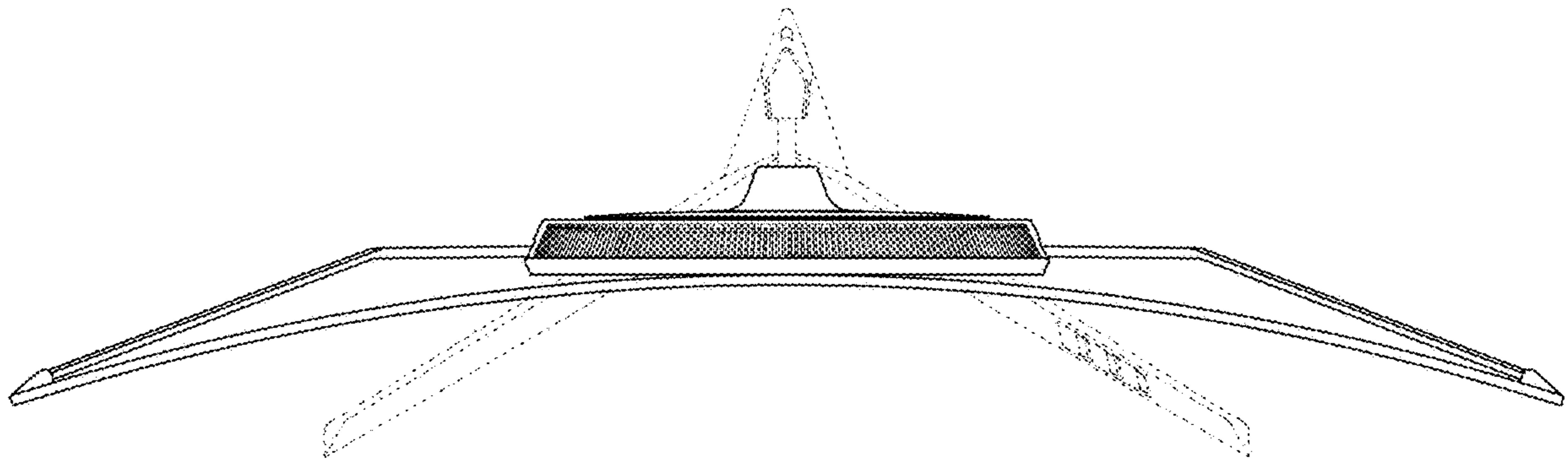
1.13



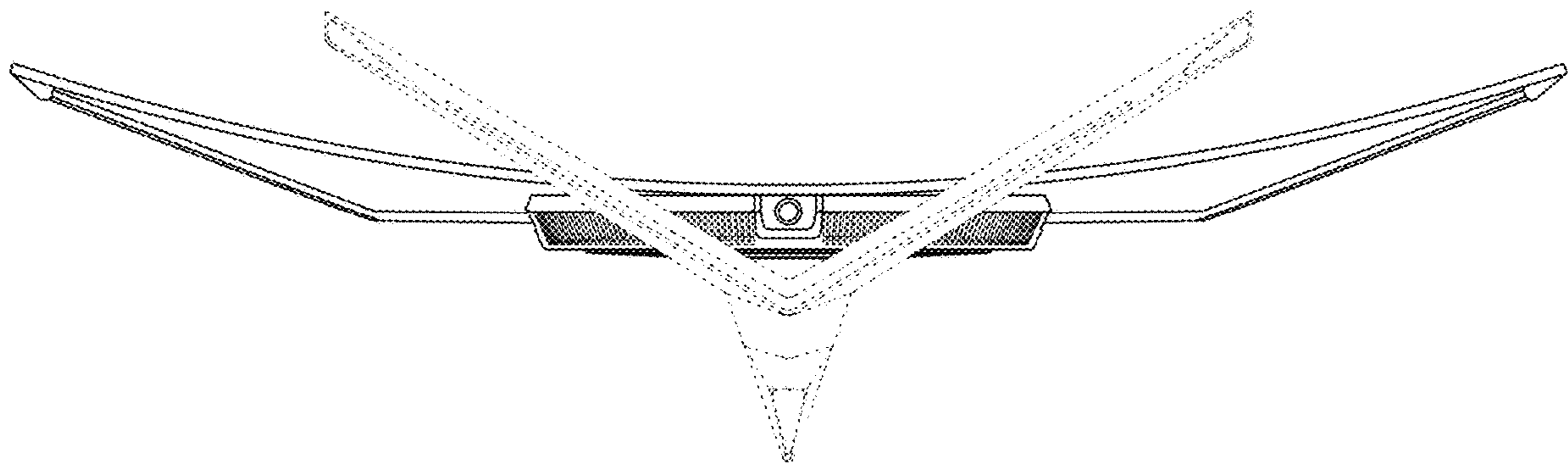
1.14



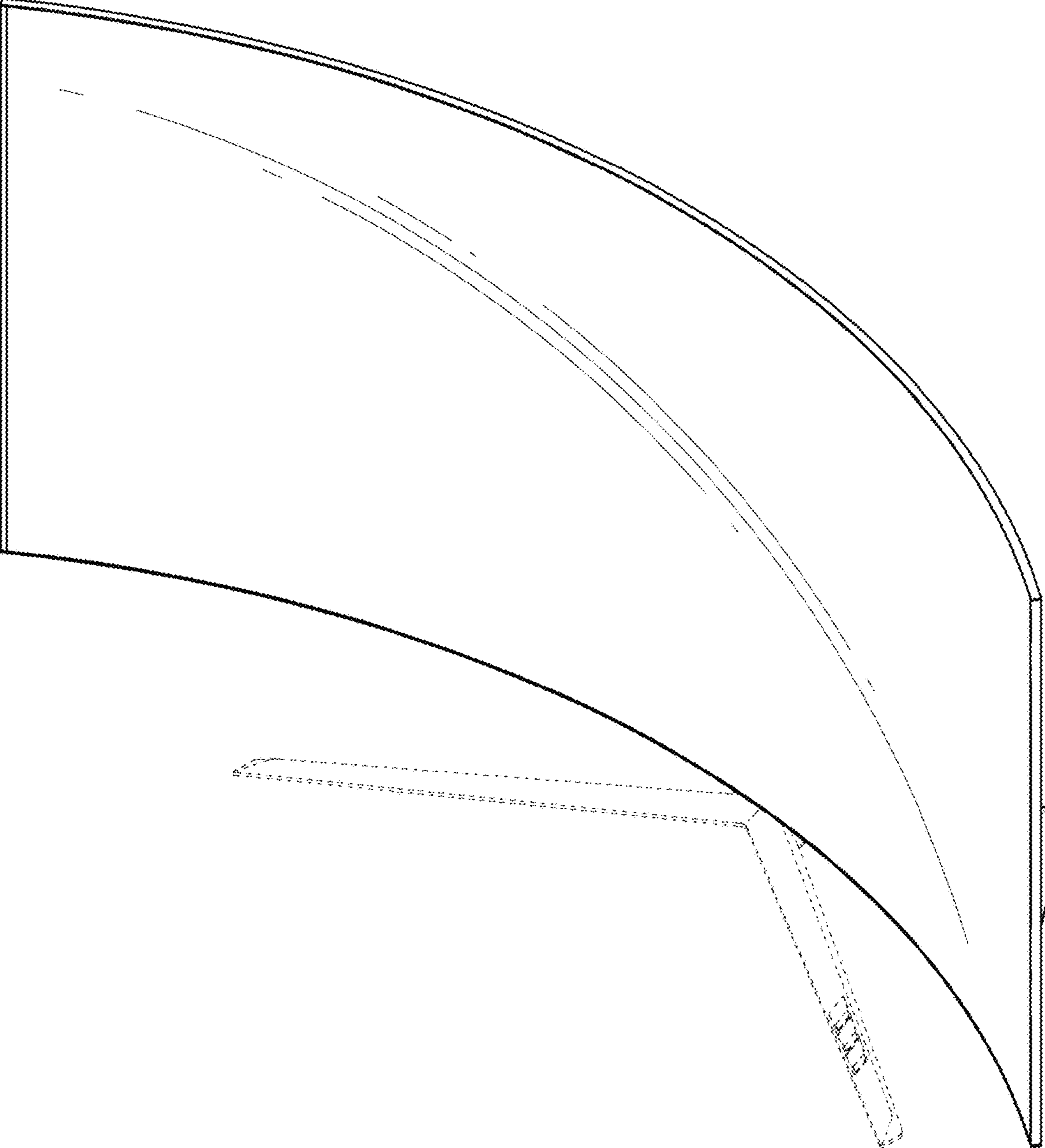
1.15



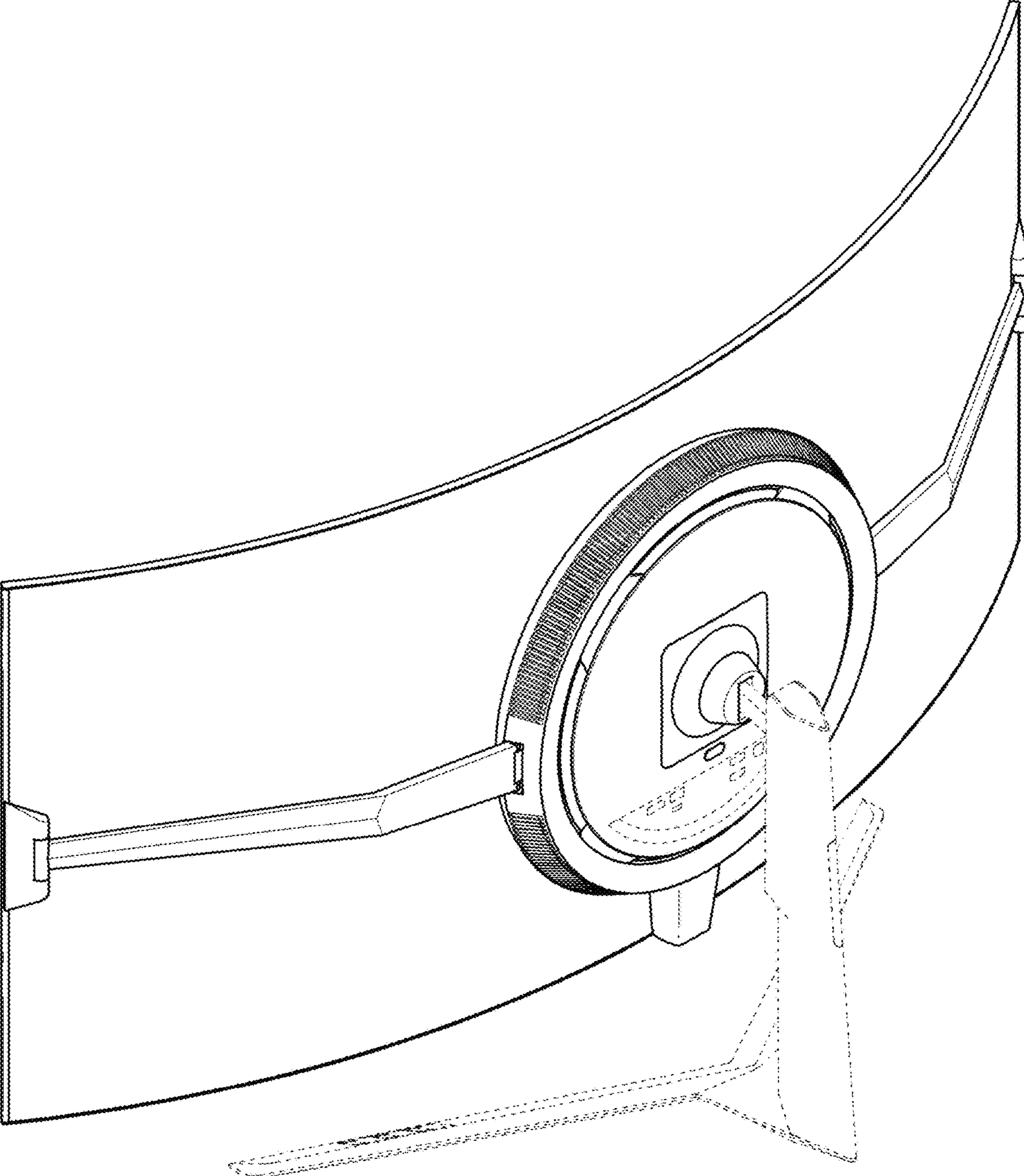
1.16



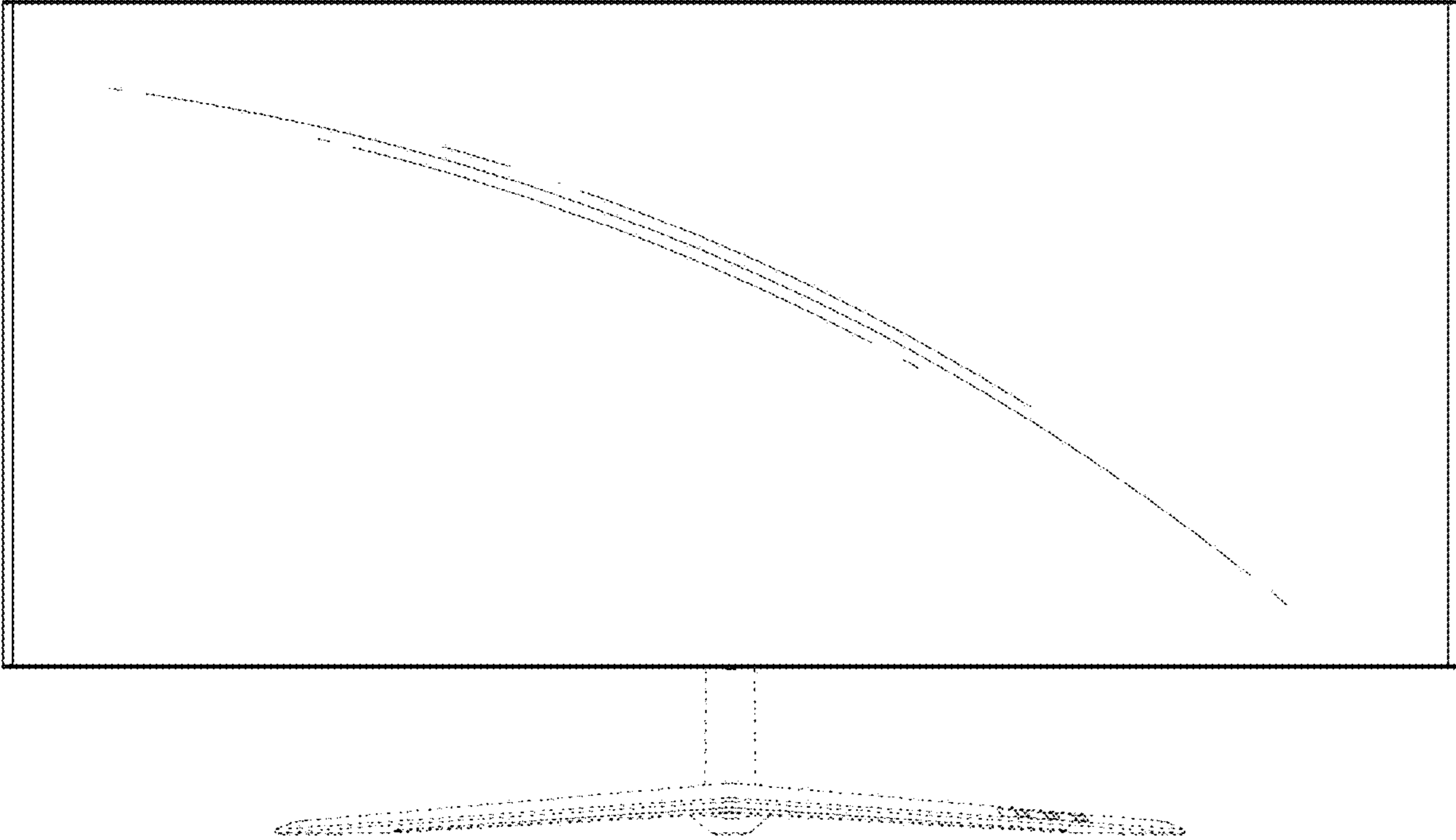
1.17



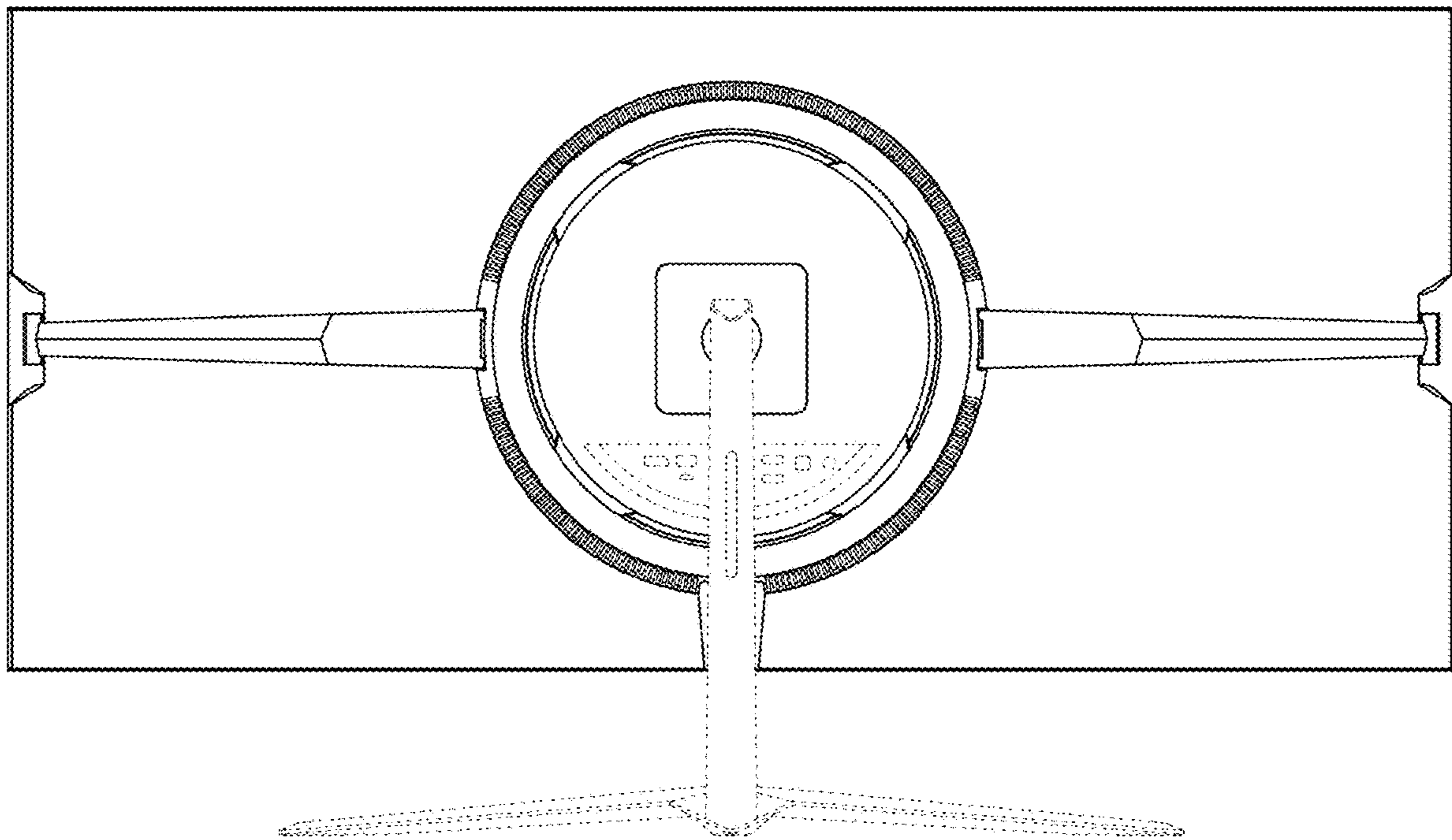
1.18



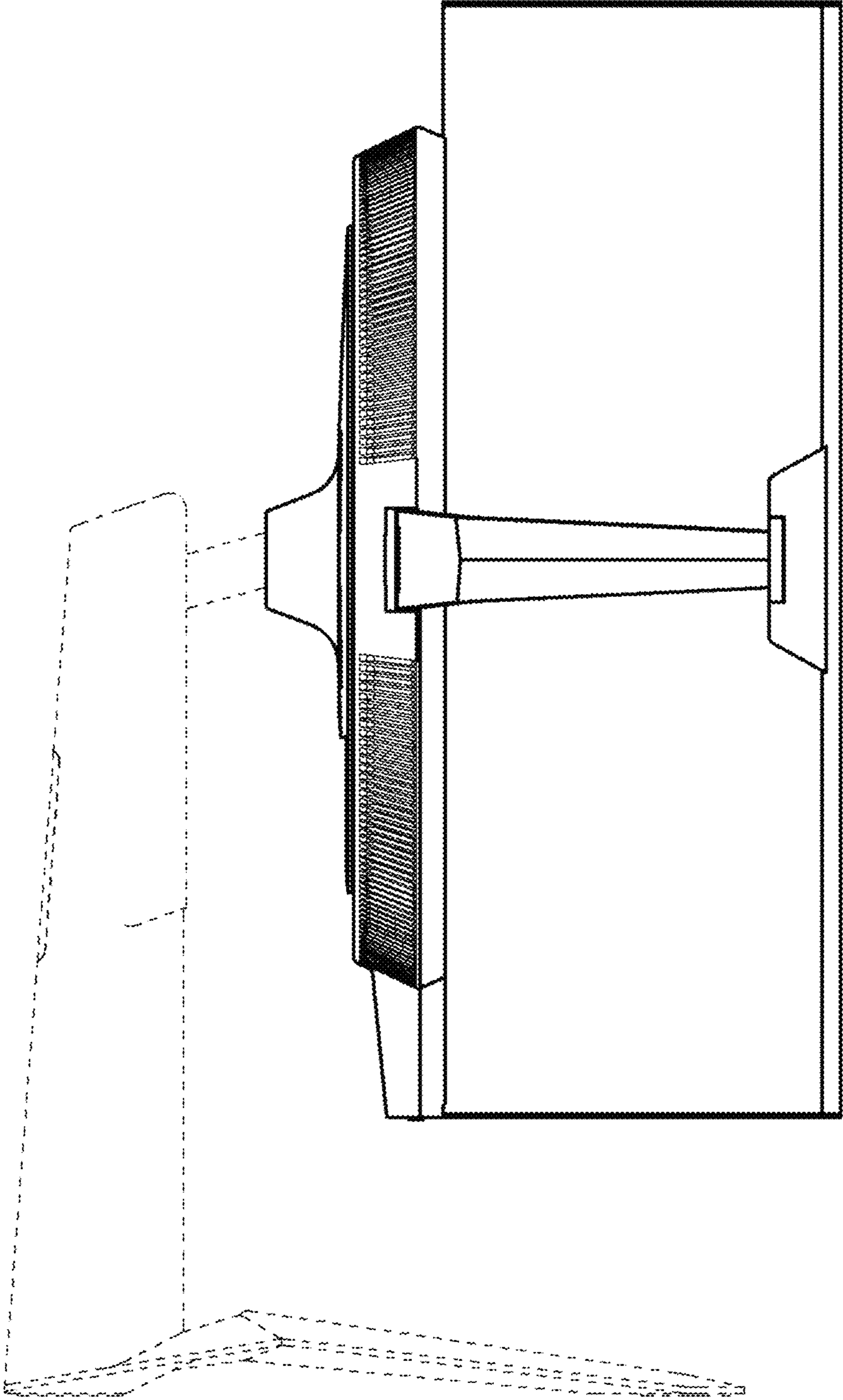
1.19



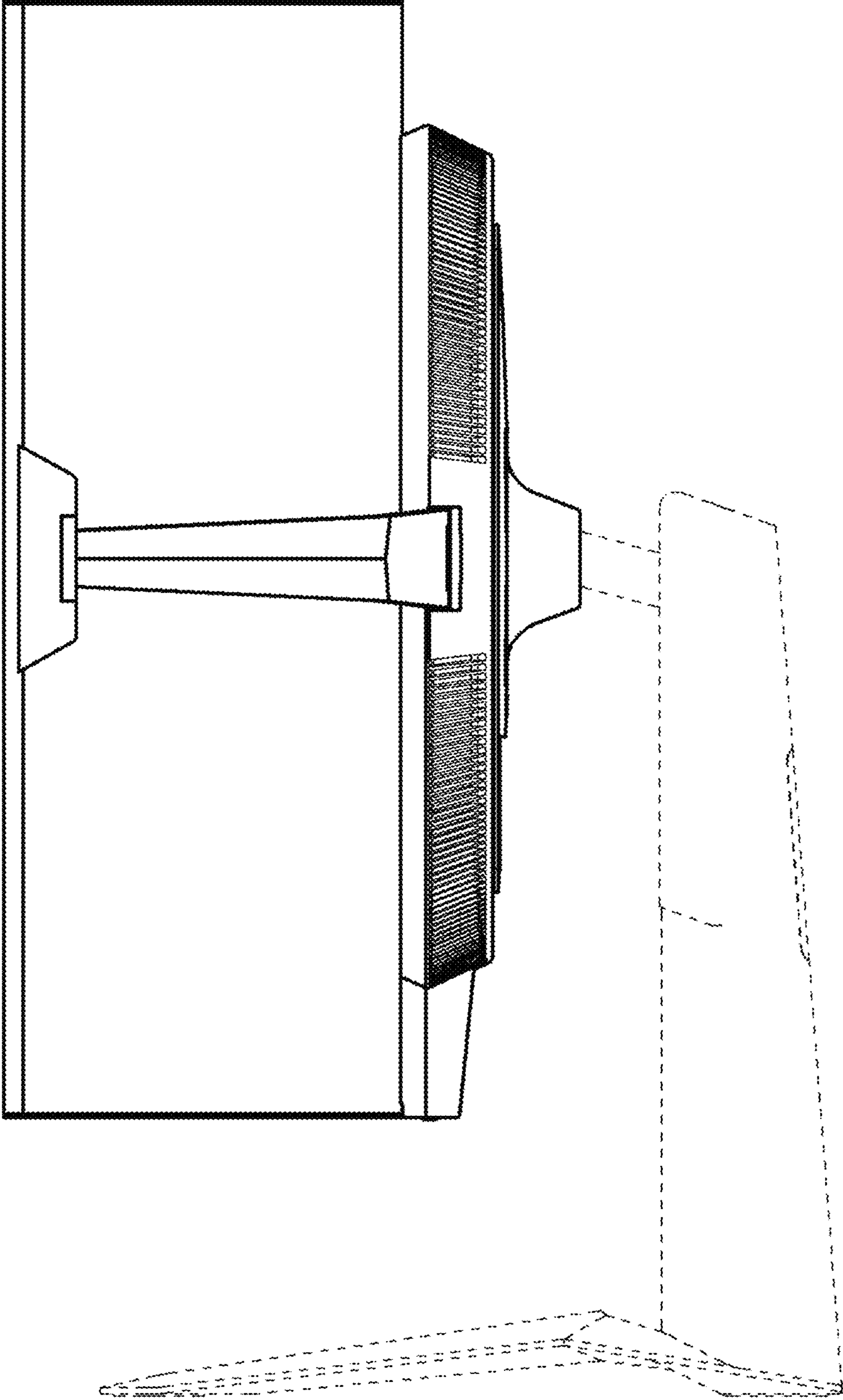
1.20



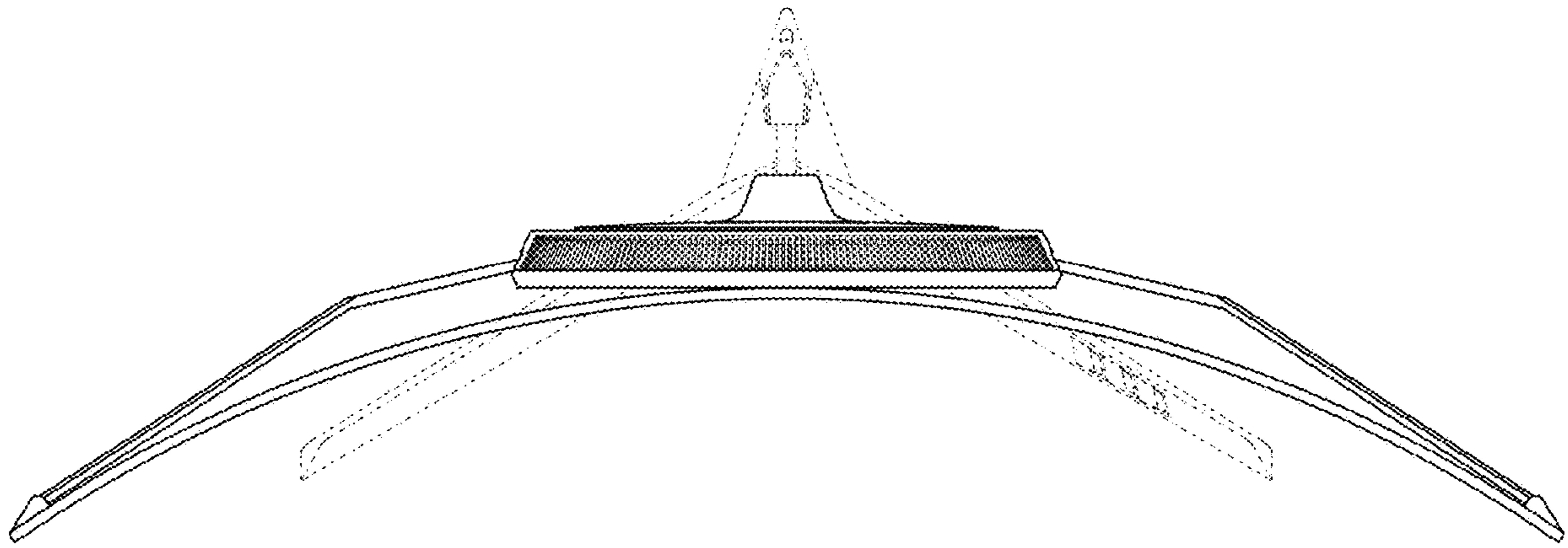
1.21



1.22



1.23



1.24

