



US00D924232S

(12) **United States Design Patent**
Kim et al.

(10) **Patent No.:** **US D924,232 S**

(45) **Date of Patent:** **** Jul. 6, 2021**

(54) **TELEVISION APPARATUS**

CPC G06F 1/1601; G06F 1/1605; G06F 1/162
See application file for complete search history.

(71) Applicant: **LG ELECTRONICS INC.**, Seoul
(KR)

(56) **References Cited**

U.S. PATENT DOCUMENTS

(72) Inventors: **Younsoo Kim**, Seoul (KR); **Yooseok Kim**, Seoul (KR); **Hyoungwon Kim**, Seoul (KR); **Younghun Jang**, Seoul (KR)

D562,788	S	*	2/2008	Asanuma	D14/126
D566,669	S	*	4/2008	Ooshima	D14/126
D574,341	S	*	8/2008	Kuramashi	D14/126
D620,903	S	*	8/2010	Song	D14/126
D733,671	S	*	7/2015	Lu	D14/126
D766,860	S	*	9/2016	Won	D14/126
D774,482	S	*	12/2016	Hong	D14/126

(Continued)

(73) Assignee: **LG ELECTRONICS INC.**, Seoul
(KR)

OTHER PUBLICATIONS

(**) Term: **15 Years**

LG 27in HDR Monitor, earliest photo accompanied review date Apr. 21, 2018, [online][site visited Nov. 17, 2020] URL: <https://www.amazon.in/LG-inch-68-58-Gaming-Monitor/dp/B078GRM2MV> (Year: 2018).*

(21) Appl. No.: **35/508,532**

(22) Filed: **Feb. 27, 2019**

Primary Examiner — George D. Kirschbaum
Assistant Examiner — L. A. Grabenstetter
(74) *Attorney, Agent, or Firm* — Birch, Stewart, Kolasch & Birch, LLP

(80) **Hague Agreement Data**

Int. Filing Date: **Feb. 27, 2019**

Int. Reg. No.: **DM/205589**

Int. Reg. Date: **Feb. 27, 2019**

Int. Reg. Pub. Date: **Feb. 7, 2020**

(57) **CLAIM**

The ornamental design for a television apparatus, as shown and described.

(30) **Foreign Application Priority Data**

Oct. 10, 2018 (KR) 30-2018-0046397

DESCRIPTION

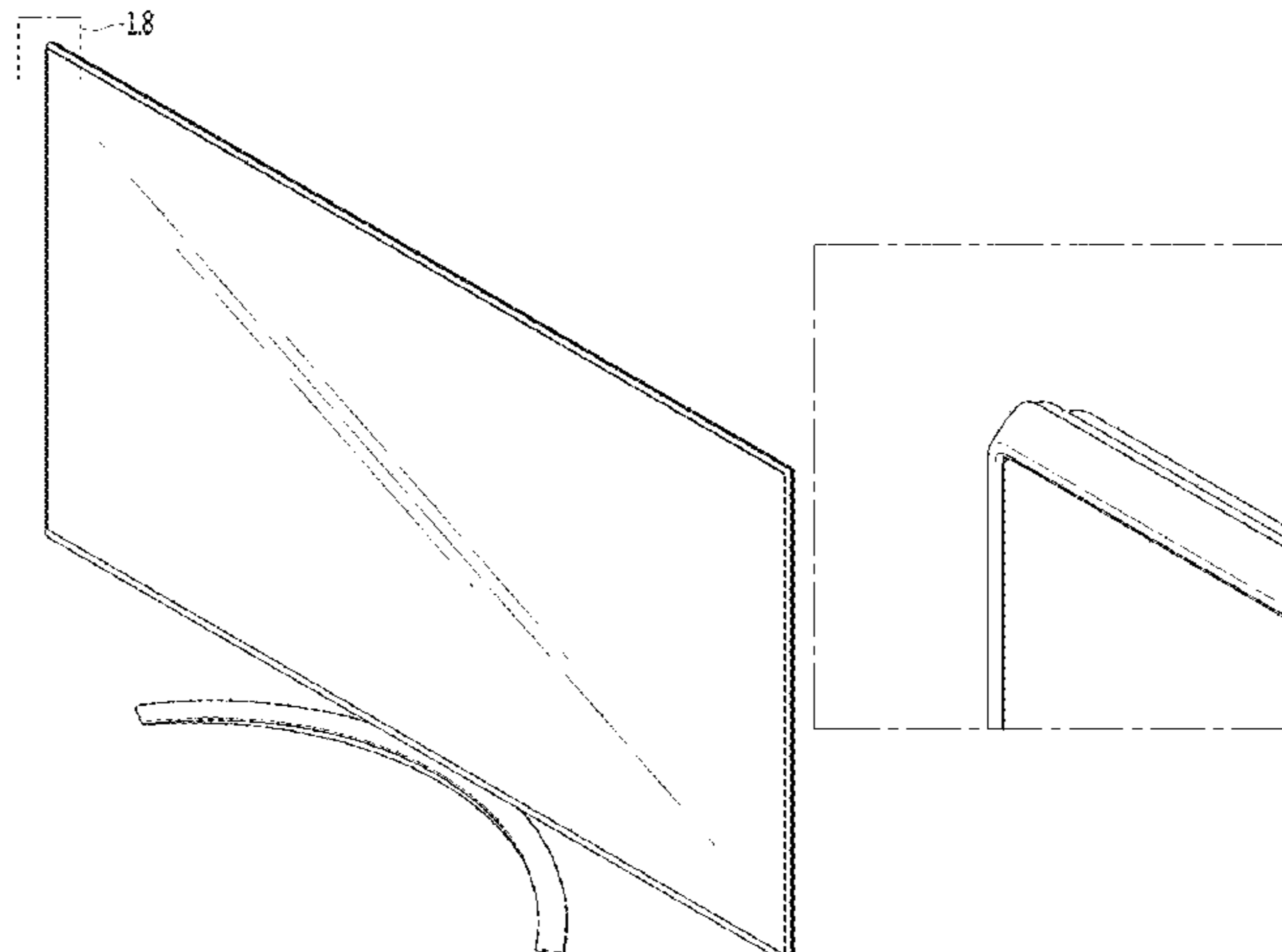
(51) **LOC (13) Cl.** **14-03**

(52) **U.S. Cl.**
USPC **D14/371**; D14/126

(58) **Field of Classification Search**
USPC D6/300, 308, 310, 642, 643, 650.1, D6/653.15, 654.15, 657, 661, 675; D14/125, 126, 127, 128, 129, 132, 134, D14/203.3, 203.7, 336, 341, 373-377; D16/229, 235, 241; D21/330

1. Television apparatus
- 1.1 : Perspective
- 1.2 : Front
- 1.3 : Back
- 1.4 : Left
- 1.5 : Right
- 1.6 : Top
- 1.7 : Bottom
- 1.8 : Enlarged
- 1.9 : Enlarged

(Continued)



Reproductions 1.8 and 1.9 are enlarged views showing portions indicated by the dot-dashed lines in reproductions 1.1 and 1.4.

The dash-dash broken lines depict portions of the article that form no part of the claimed design. The dot-dash broken lines are included for the purpose of illustrating the enlargements, and form no part of the claimed design.

1 Claim, 9 Drawing Sheets

(56)

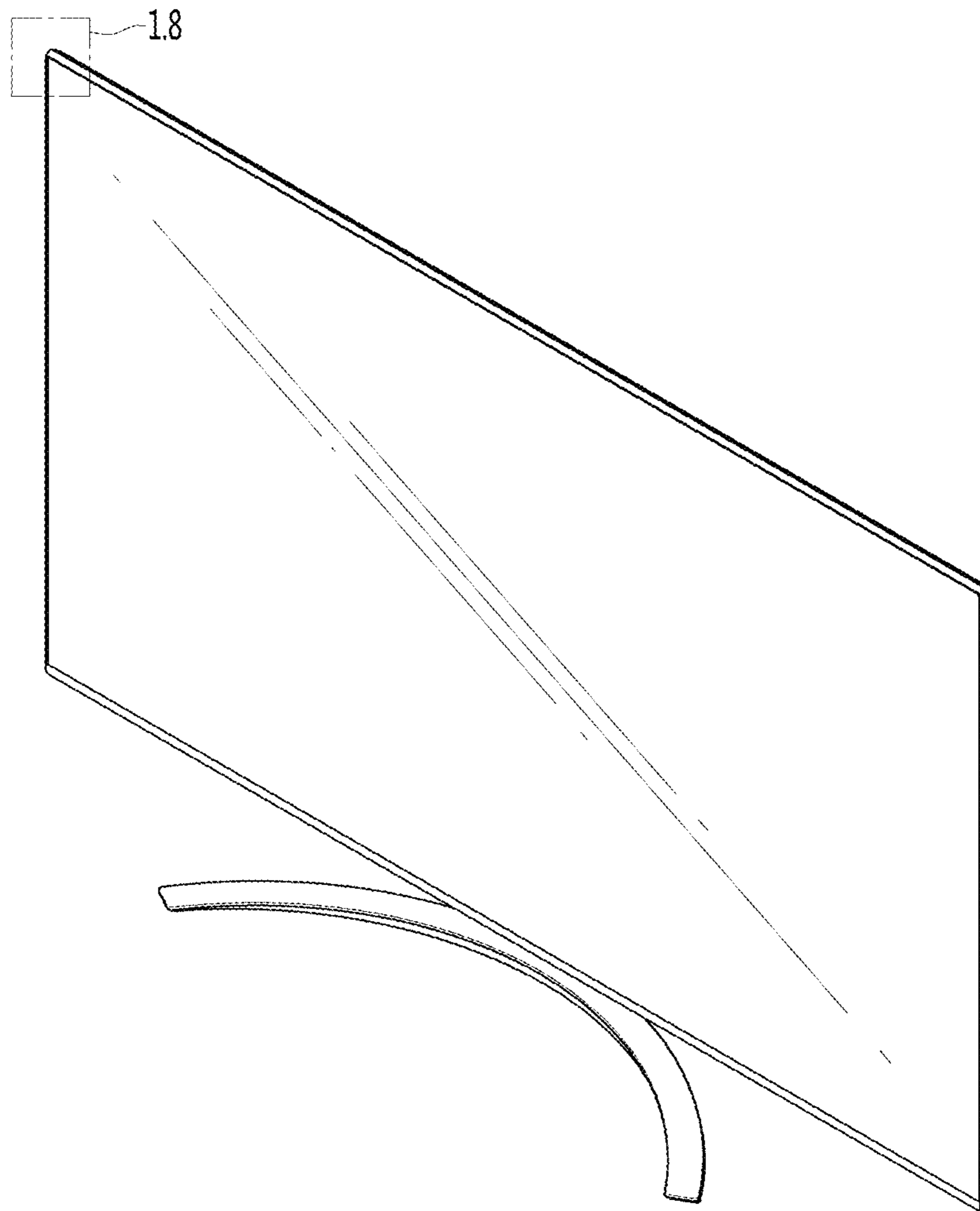
References Cited

U.S. PATENT DOCUMENTS

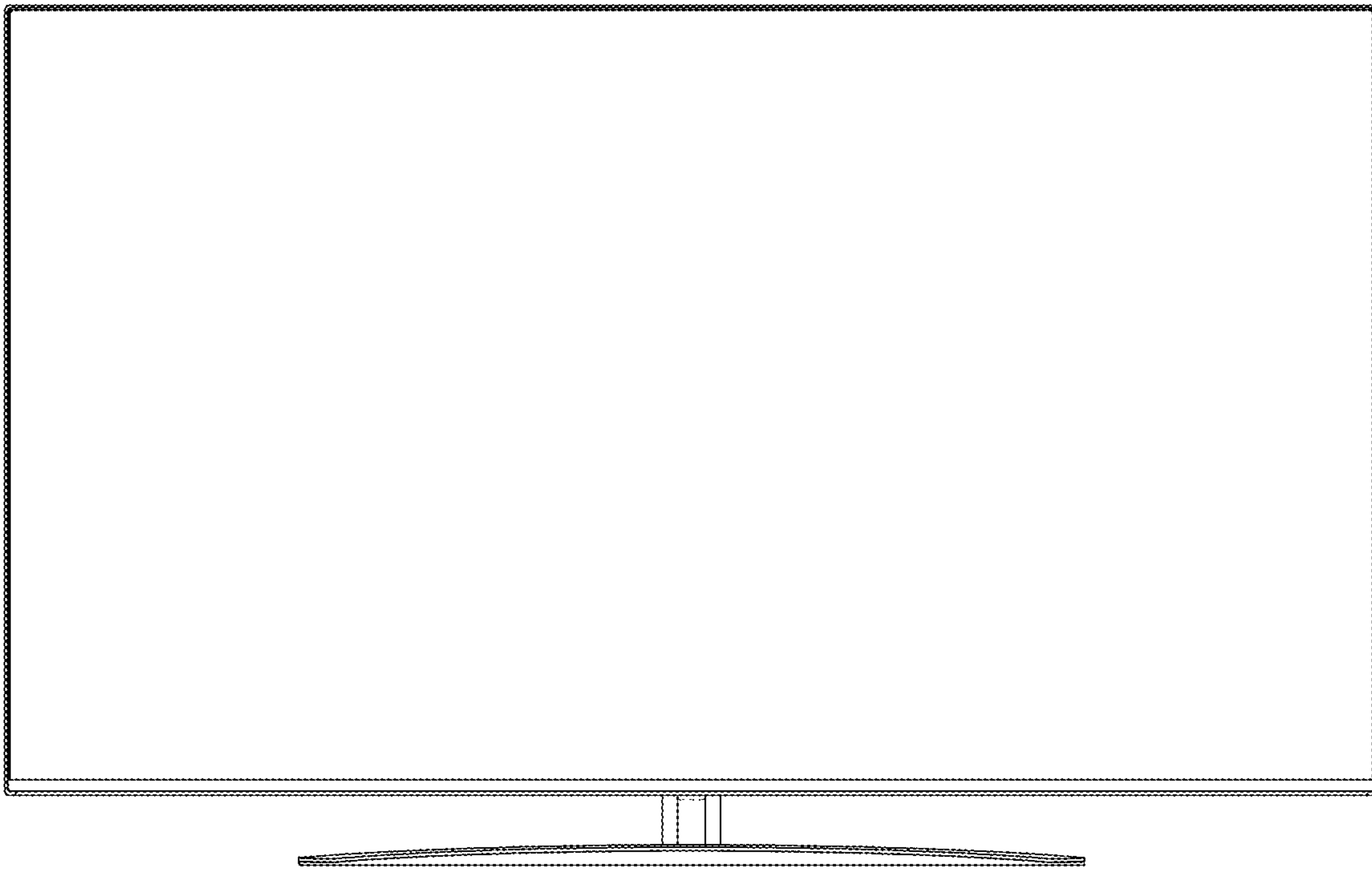
D785,621	S	*	5/2017	Kim	D14/374
D808,353	S	*	1/2018	Lee	D14/126
D817,290	S	*	5/2018	Lee	D14/126
D826,200	S	*	8/2018	Kim	D14/126
D826,884	S	*	8/2018	Kim	D14/126
D830,984	S	*	10/2018	Kim	D14/126
D830,985	S	*	10/2018	Cha	D14/126
D835,593	S	*	12/2018	Shin	D14/126
D836,584	S	*	12/2018	Kim	D14/126

* cited by examiner

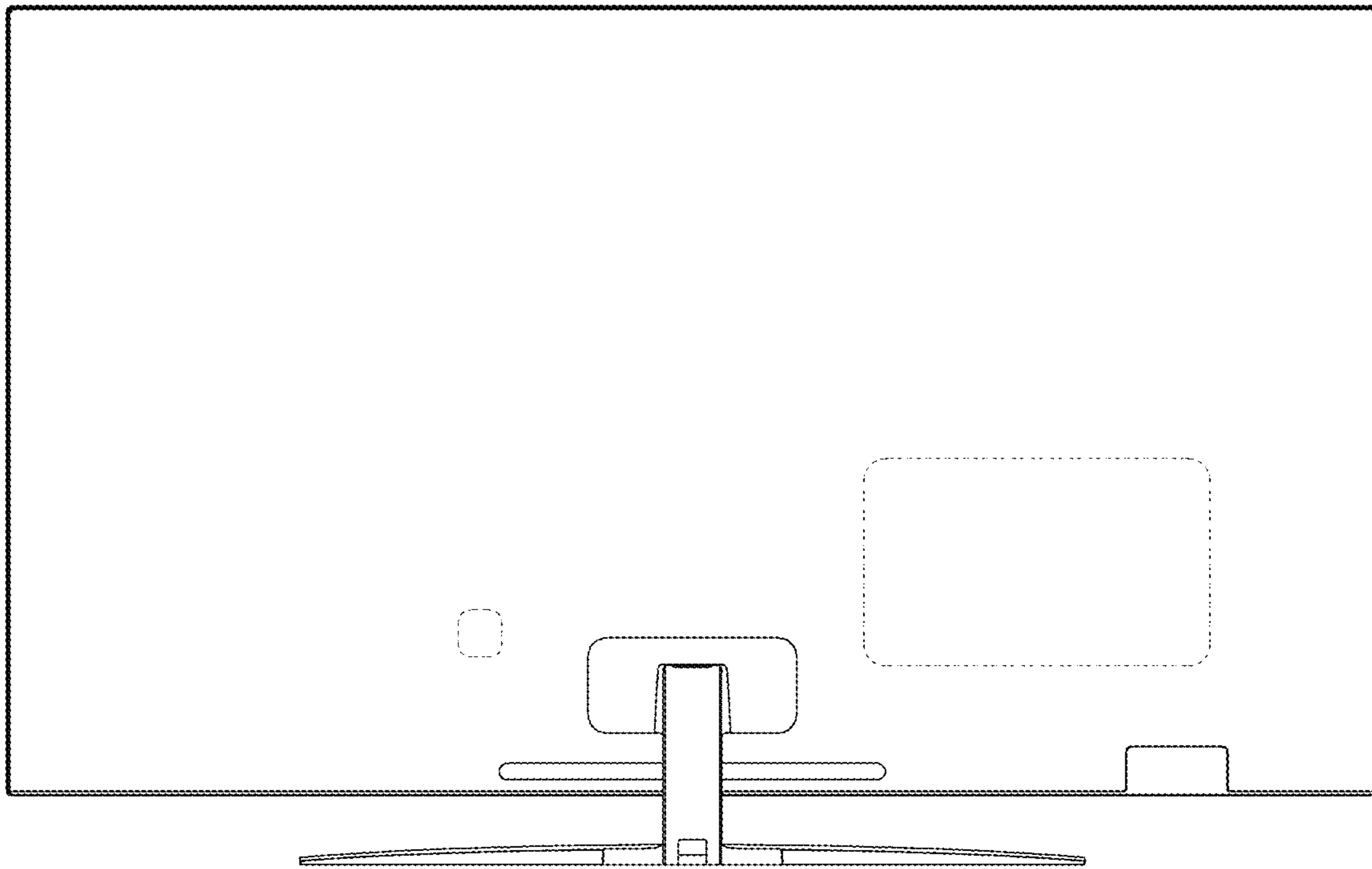
1.1



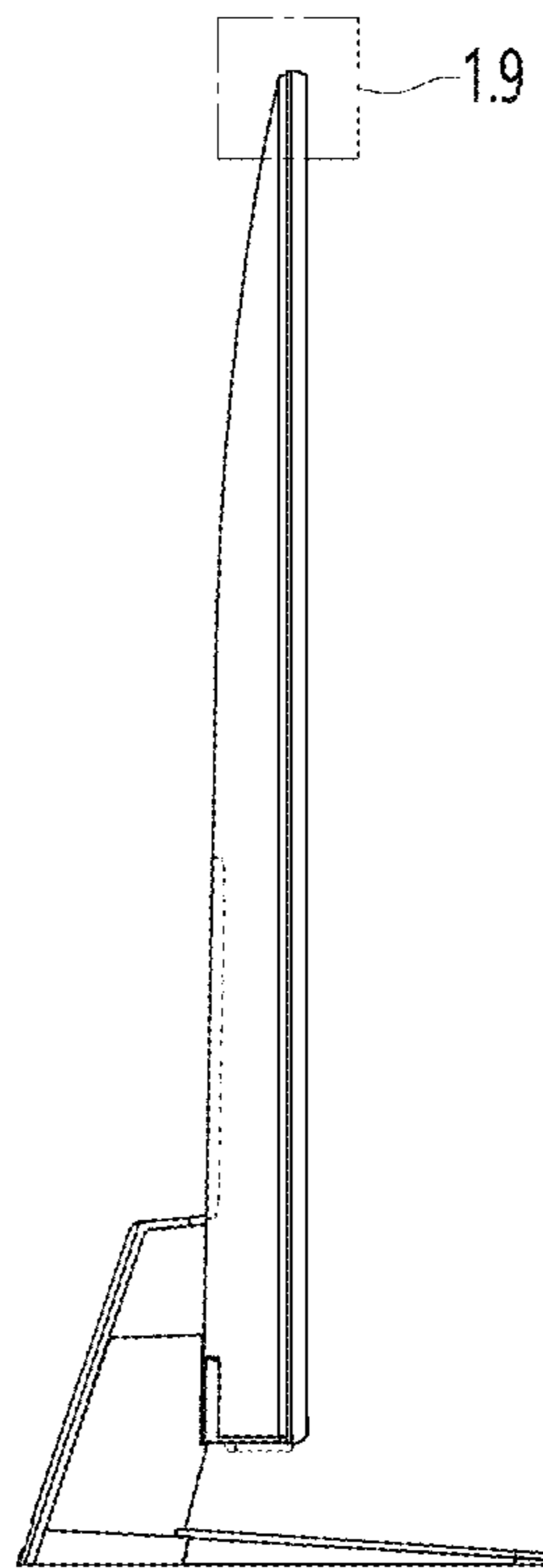
1.2



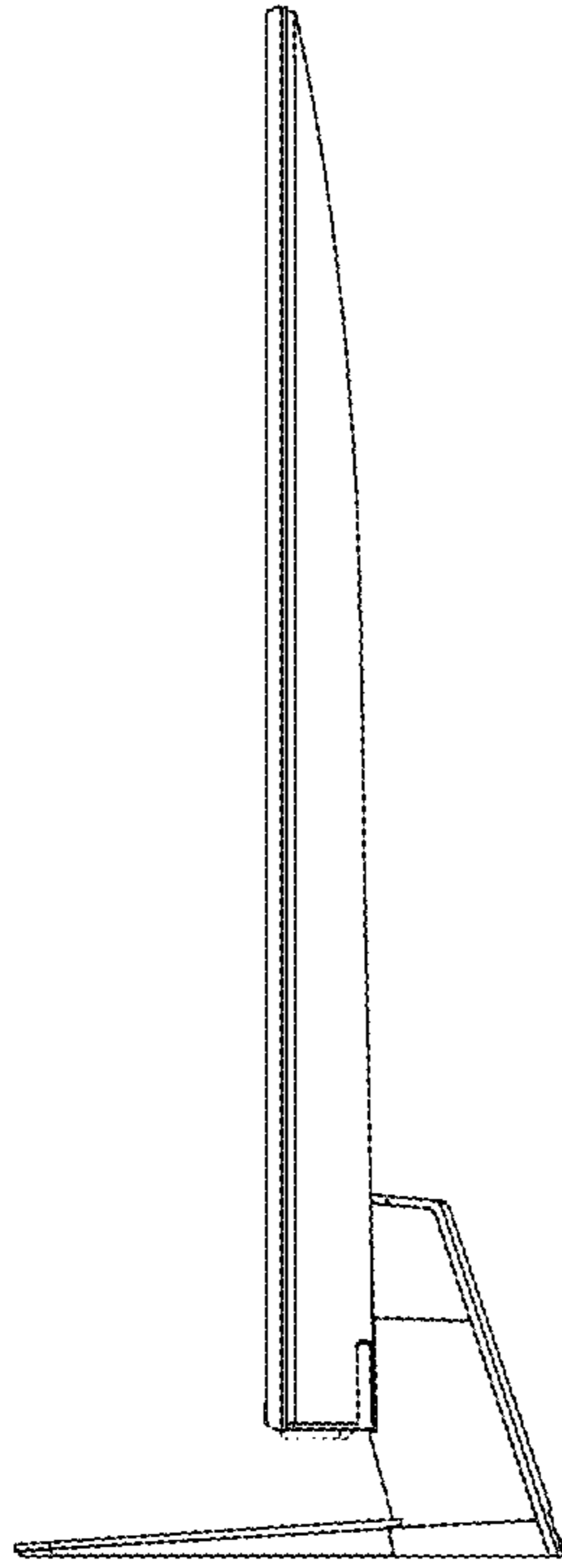
1.3



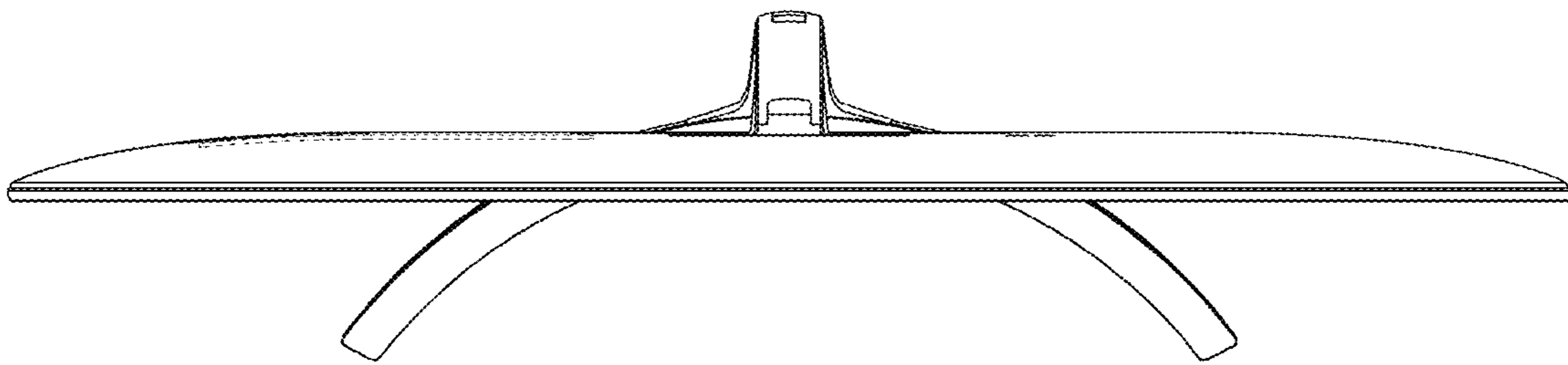
1.4



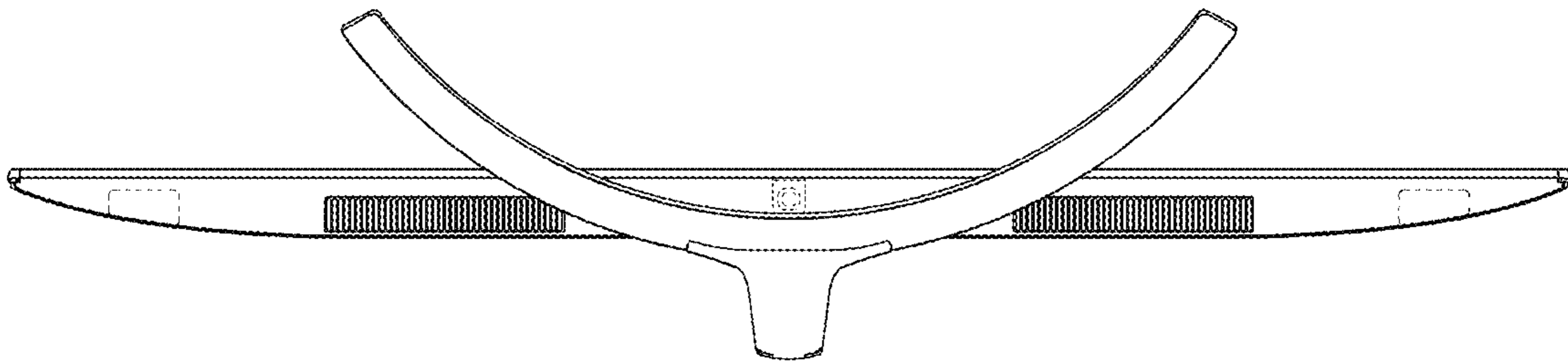
1.5



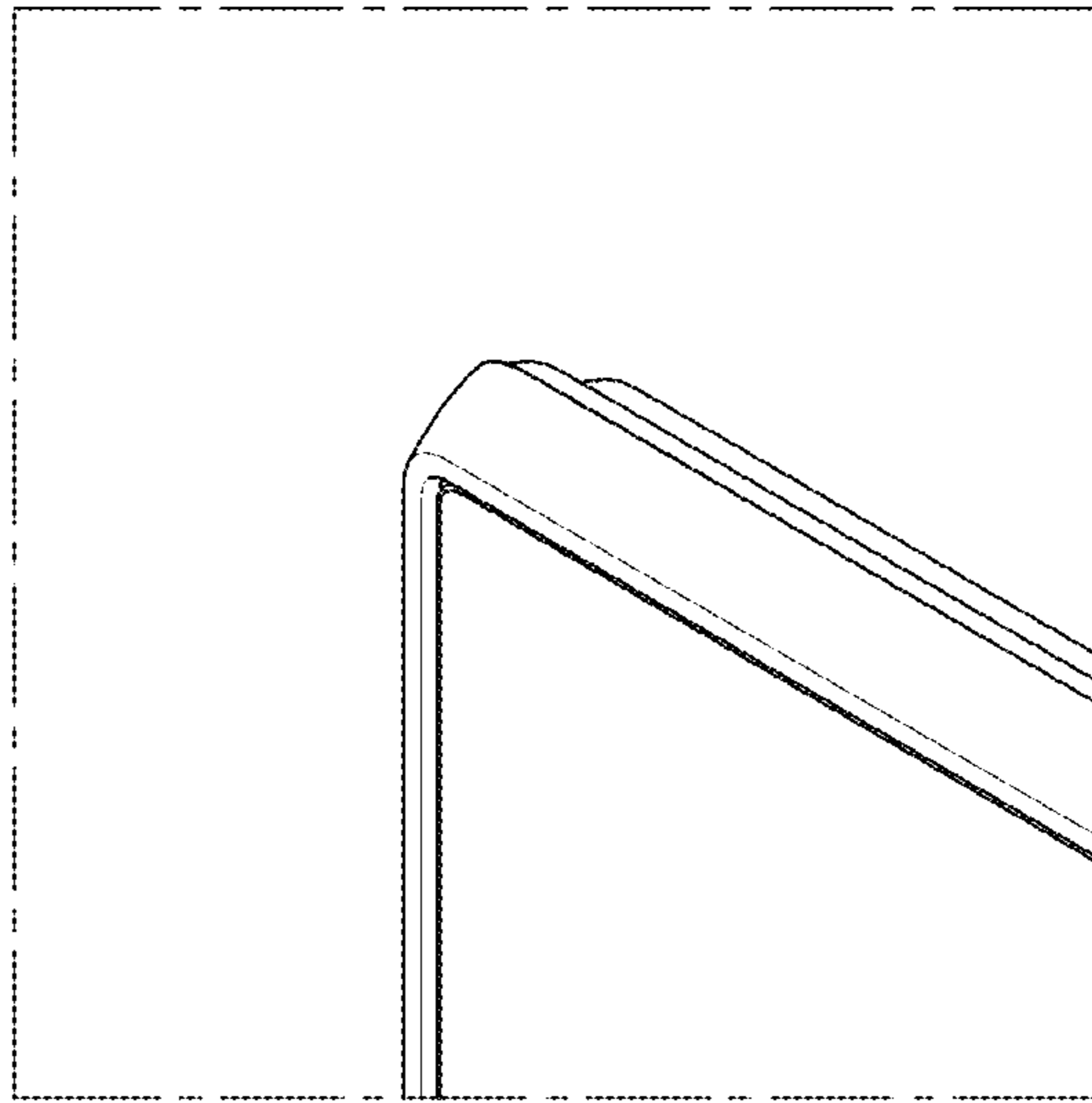
1.6



1.7



1.8



1.9

