



US00D924231S

(12) **United States Design Patent** (10) **Patent No.:** **US D924,231 S**
Zhang (45) **Date of Patent:** **** Jul. 6, 2021**

(54) **SMART WATCH**
(71) Applicant: **Shenzhen Yawell Intelligent Technology Co., Ltd.**, Guangdong (CN)
(72) Inventor: **Caihong Zhang**, Guangdong (CN)
(**) Term: **15 Years**
(21) Appl. No.: **29/709,255**
(22) Filed: **Oct. 12, 2019**
(51) **LOC (13) Cl.** **14-02**
(52) **U.S. Cl.**
USPC **D14/344**; D24/186
(58) **Field of Classification Search**
USPC ... D14/344, 138 R, 144, 341, 358, 205, 223, D14/249; D10/30-39, 70, 98; D11/3, D11/93-94; D24/167, 169, 186-187, D24/106, 173-175
CPC G06F 1/04; G06F 1/08; G06F 1/10; G06F 1/14; G06F 1/1626; G06F 1/1628; G06F 1/163; G06F 1/1635; G06F 1/3203; G06Q 20/10; G06Q 20/12; G06Q 20/108; G06Q 20/145; H04B 1/3833; H04B 1/385; H04B 1/3888; H04M 1/02; H04M 1/03; H04M 1/04; H04M 1/05; H04M 1/667; H04M 1/6058; Y02B 60/1217
See application file for complete search history.

D795,719 S * 8/2017 Lean D10/39
D796,363 S * 9/2017 Ross D10/103
D806,880 S * 1/2018 Henning D24/186
D808,962 S * 1/2018 Wu D14/344
D813,229 S * 3/2018 Ling D14/344
D829,330 S * 9/2018 Zheng D24/186
D831,644 S * 10/2018 Wu D14/344
10,136,543 B1 * 11/2018 Nadkarni H05K 7/1427
D835,533 S * 12/2018 Zheng D10/70
(Continued)

FOREIGN PATENT DOCUMENTS

CN 303646442 * 4/2016

OTHER PUBLICATIONS

Fitbit Inspire HR review, announced May 24, 2019 [online], [retrieved Jan. 3, 2020]. Available from Internet, URL: <https://www.macworld.com/article/3397320/fitbit-inspire-hr-review.html> (Year: 2019).*
(Continued)

Primary Examiner — Dana K Weiland
(74) *Attorney, Agent, or Firm* — ZANIP

(57) **CLAIM**

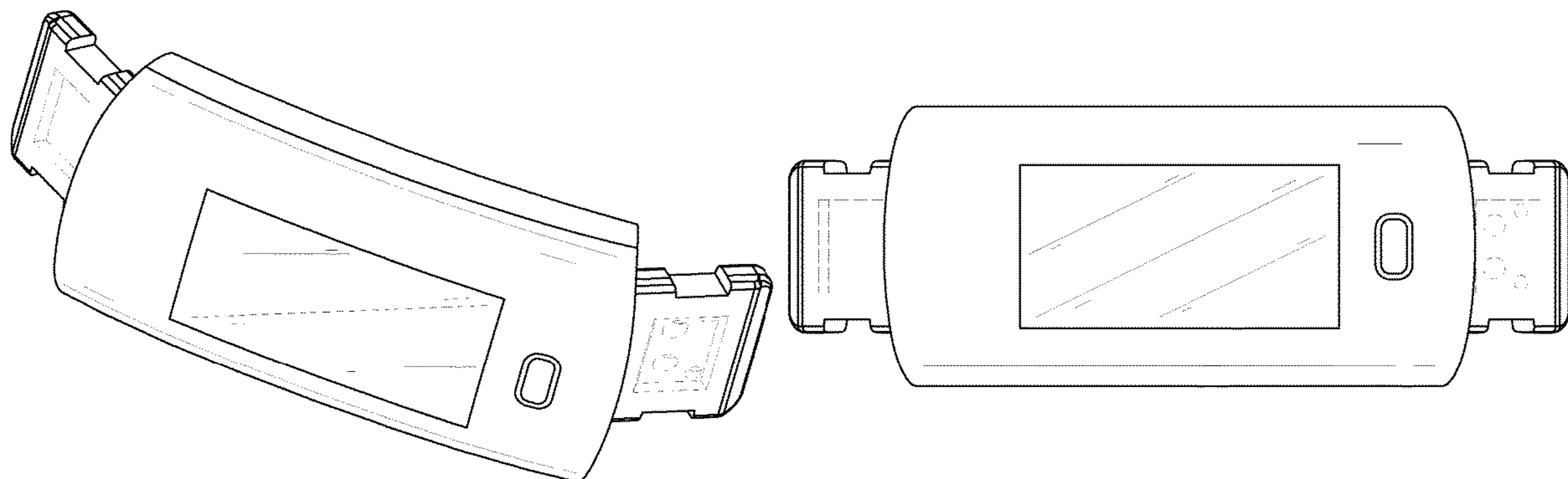
The ornamental design for a smart watch, as shown and described.

DESCRIPTION

FIG. 1 is a front, right perspective view of a smart watch, showing my new design;
FIG. 2 is a front elevational view thereof;
FIG. 3 is a rear elevational view thereof;
FIG. 4 is a left side elevational view thereof;
FIG. 5 is a right side elevational view thereof;
FIG. 6 is a top plan view thereof; and,
FIG. 7 is a bottom plan view thereof.
The broken lines in the figures illustrate portions of the smart watch that form no part of the claimed design.

1 Claim, 7 Drawing Sheets

(56) **References Cited**
U.S. PATENT DOCUMENTS
D568,768 S * 5/2008 Tang D10/30
D726,052 S * 4/2015 Henning D10/70
D747,714 S * 1/2016 Erbeus D10/32
D748,273 S * 1/2016 Chang D24/186
D751,068 S * 3/2016 Erbeus D10/38
D762,210 S * 7/2016 Lee D14/344
D772,869 S * 11/2016 Iizuka D10/39
D787,511 S * 5/2017 Lee et al.
D790,374 S * 6/2017 Lean D10/39



(56)

References Cited

U.S. PATENT DOCUMENTS

D851,641 S * 6/2019 Zhang D14/344
 D852,656 S * 7/2019 Kazes D10/70
 D858,517 S * 9/2019 Kern D14/344
 D860,989 S * 9/2019 Choplin D14/344
 D863,297 S * 10/2019 Ke D14/344
 D865,761 S * 11/2019 Choplin D14/344
 10,537,039 B2 * 1/2020 Nadkarni G06F 1/1698
 D878,364 S * 3/2020 Kern D14/344
 D887,405 S * 6/2020 Kozlovskaya D14/344
 2016/0072554 A1 * 3/2016 Sharma H04B 5/0031
 455/41.1
 2017/0011210 A1 * 1/2017 Cheong A61B 5/0022
 2017/0340210 A1 * 11/2017 Chuang A61B 5/0022
 2019/0041806 A1 * 2/2019 Zhang G04G 17/08

OTHER PUBLICATIONS

Gear Fit2, announced Jun. 5, 2016 [online], [retrieved Jan. 3, 2020].
 Available from Internet, URL: <<https://www.samsung.com/global/galaxy/gear-fit2/>> (Year: 2016).*

Lovewe Huawei Honor Band 5, announced Sep. 2, 2019 [online],
 [retrieved Jan. 3, 2020]. Available from Internet, URL: <<https://www.amazon.com/Lovewe-Smartband-Bracelet-Monitor-Waterproof/dp/B07VVJT89T>> (Year: 2019).*

New 3D Dynamic UI Smart Band, first published review Jun. 5,
 2018 [online], [retrieved Apr. 14, 2020]. Available from Internet,
 URL: <<https://www.smartmoderns.com/products/new-3d-dynamic-ui-smart-band-sports-fitness-tracker-bracelet-heart-rate-monitor-wristband-ip68-waterproof-for-android-ios>> (Year: 2018).*

Huawei Band 4 fitness tracker, announced Jan. 24, 2020 [online],
 [retrieved Apr. 14, 2020]. Available from Internet, URL: <<https://www.gizmochina.com/2020/01/24/huawei-band-4-india-launch/>> (Year: 2020).*

* cited by examiner

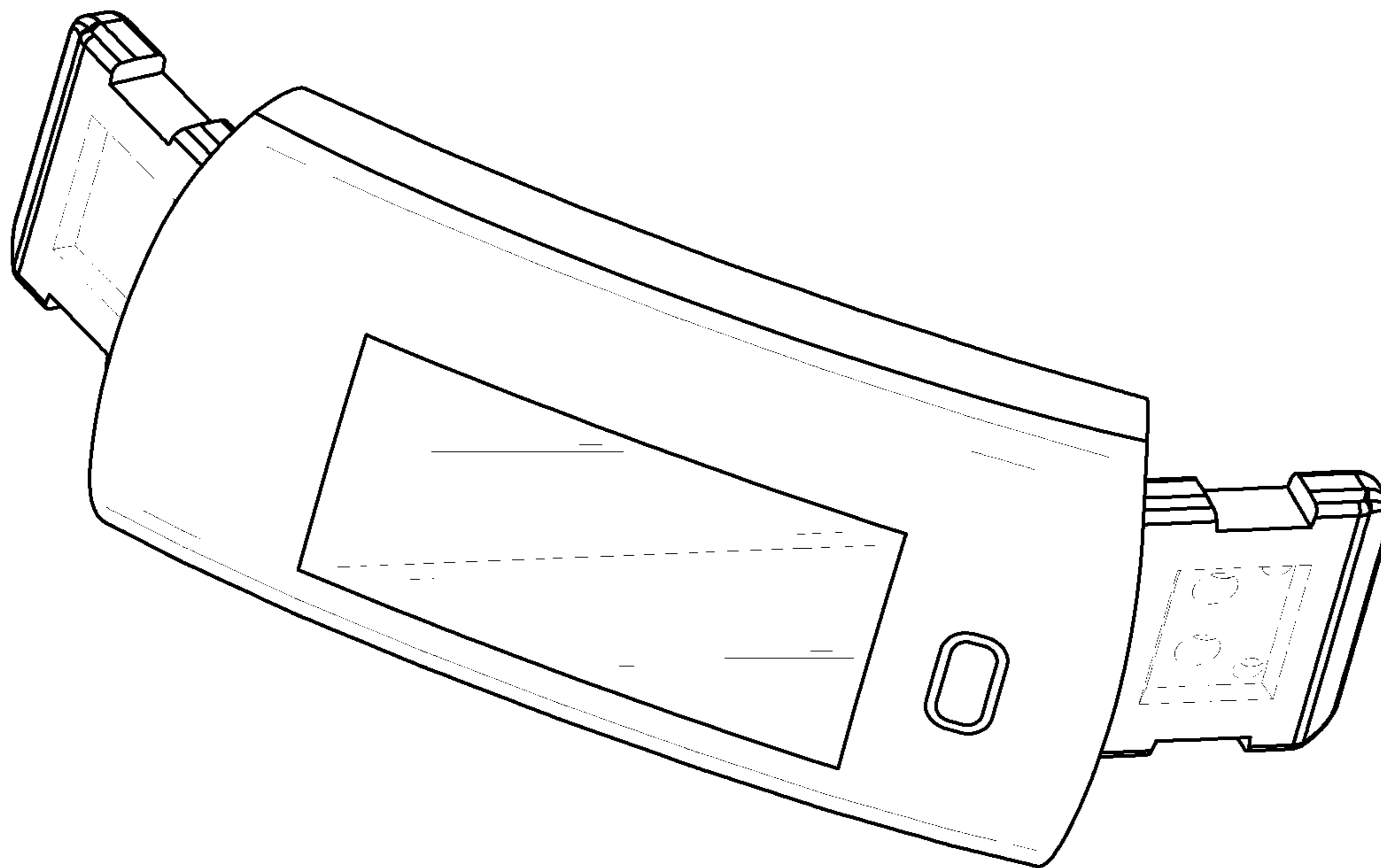


FIG. 1

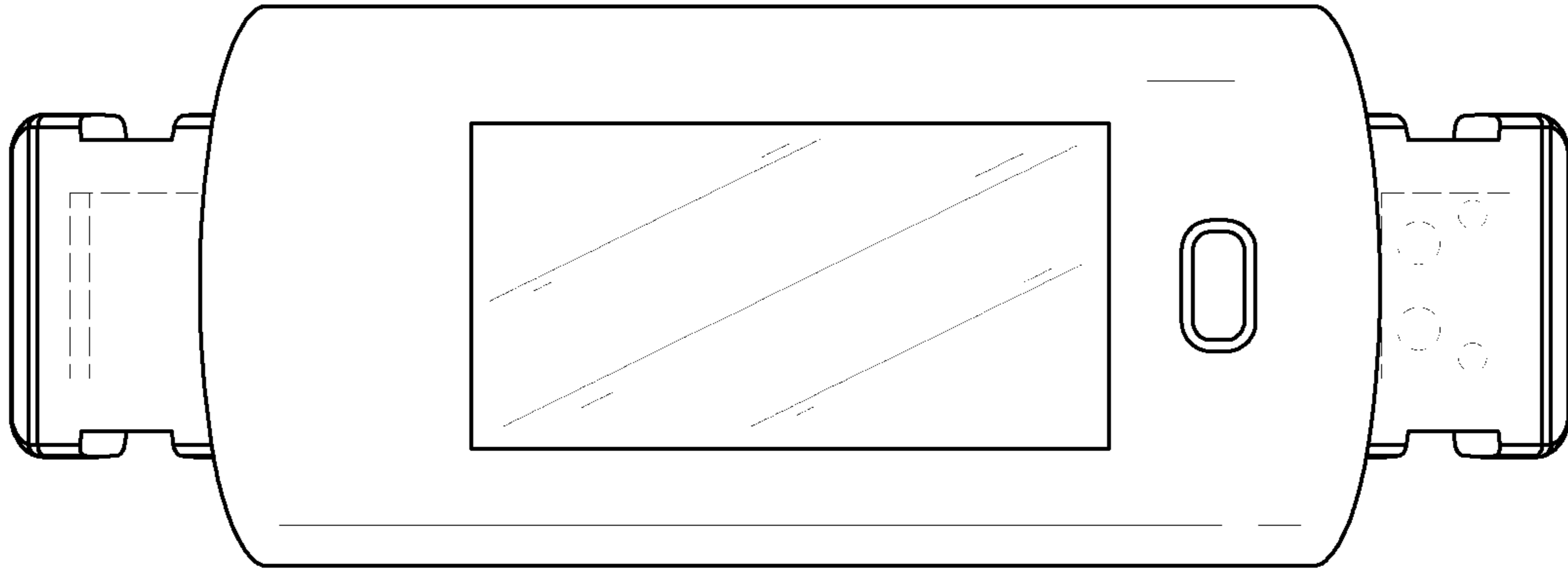


FIG. 2

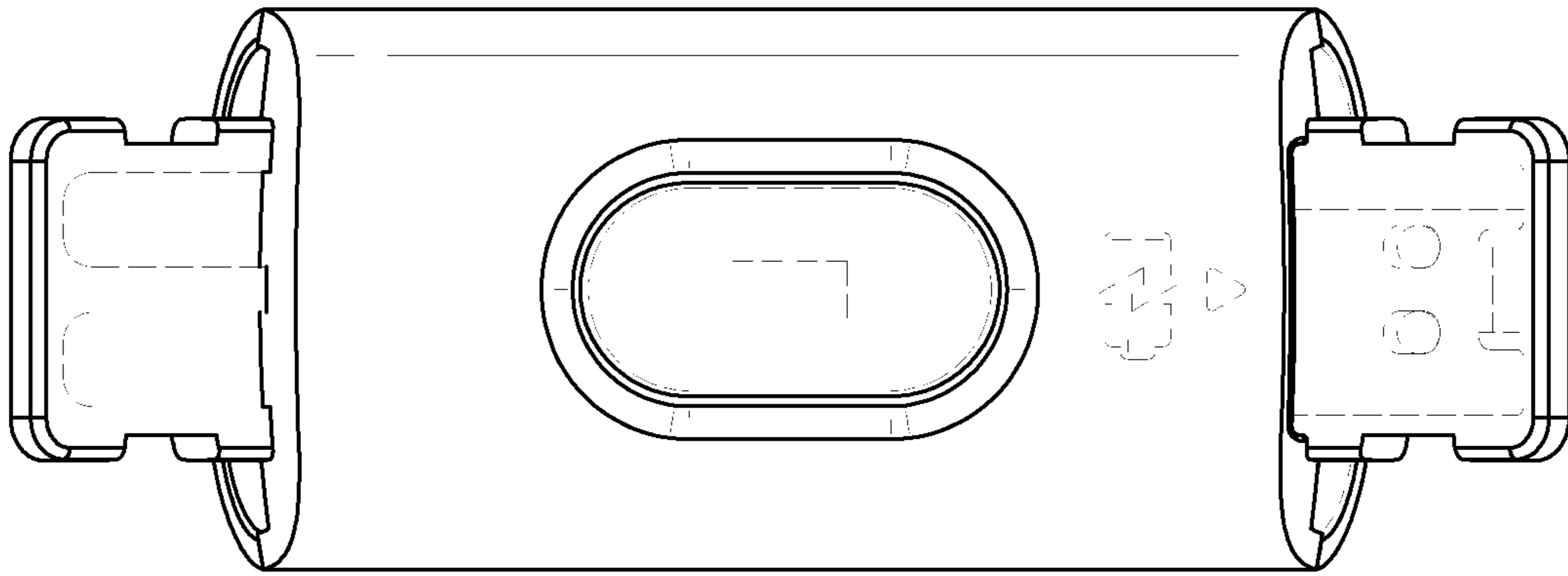


FIG. 3

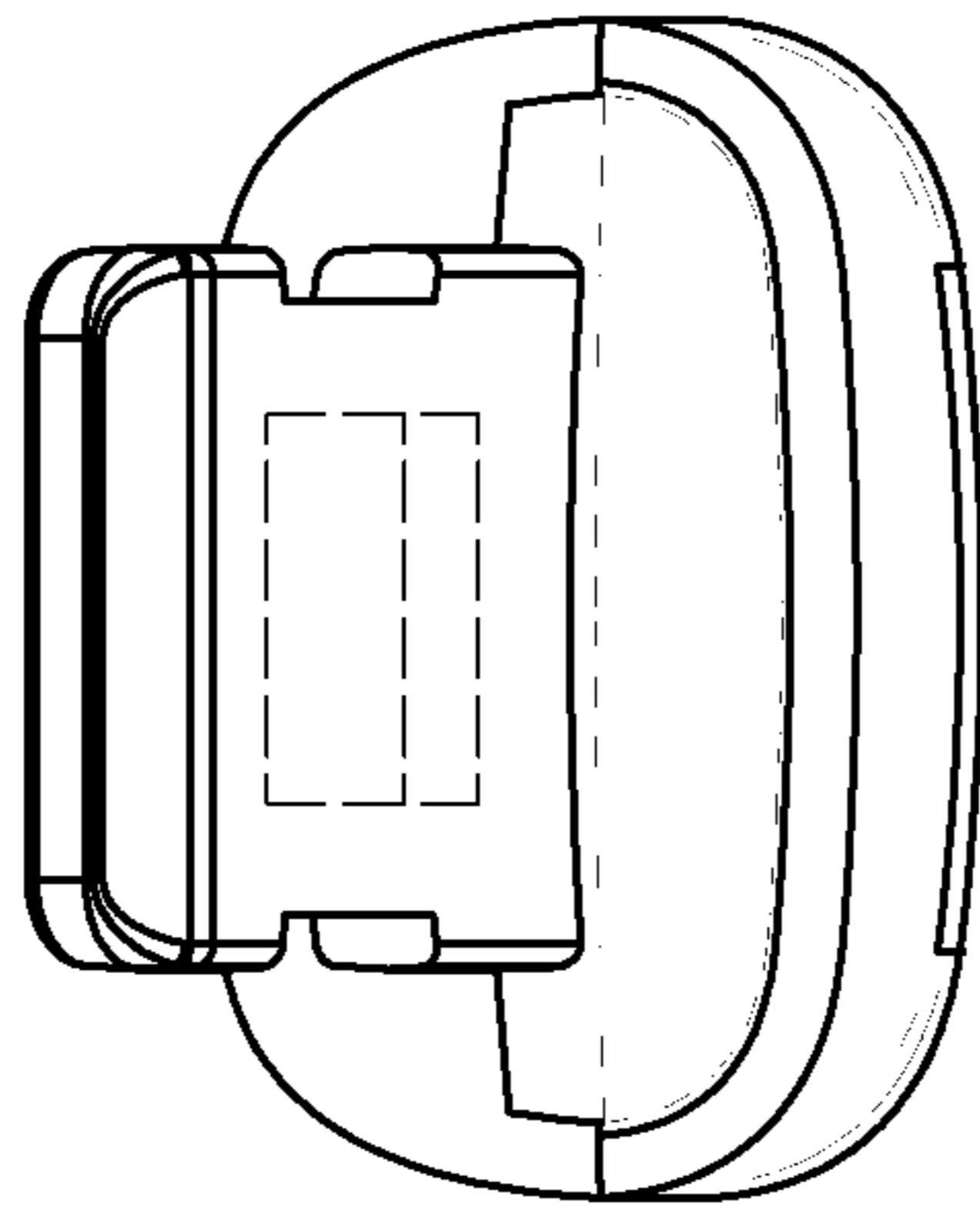


FIG. 4

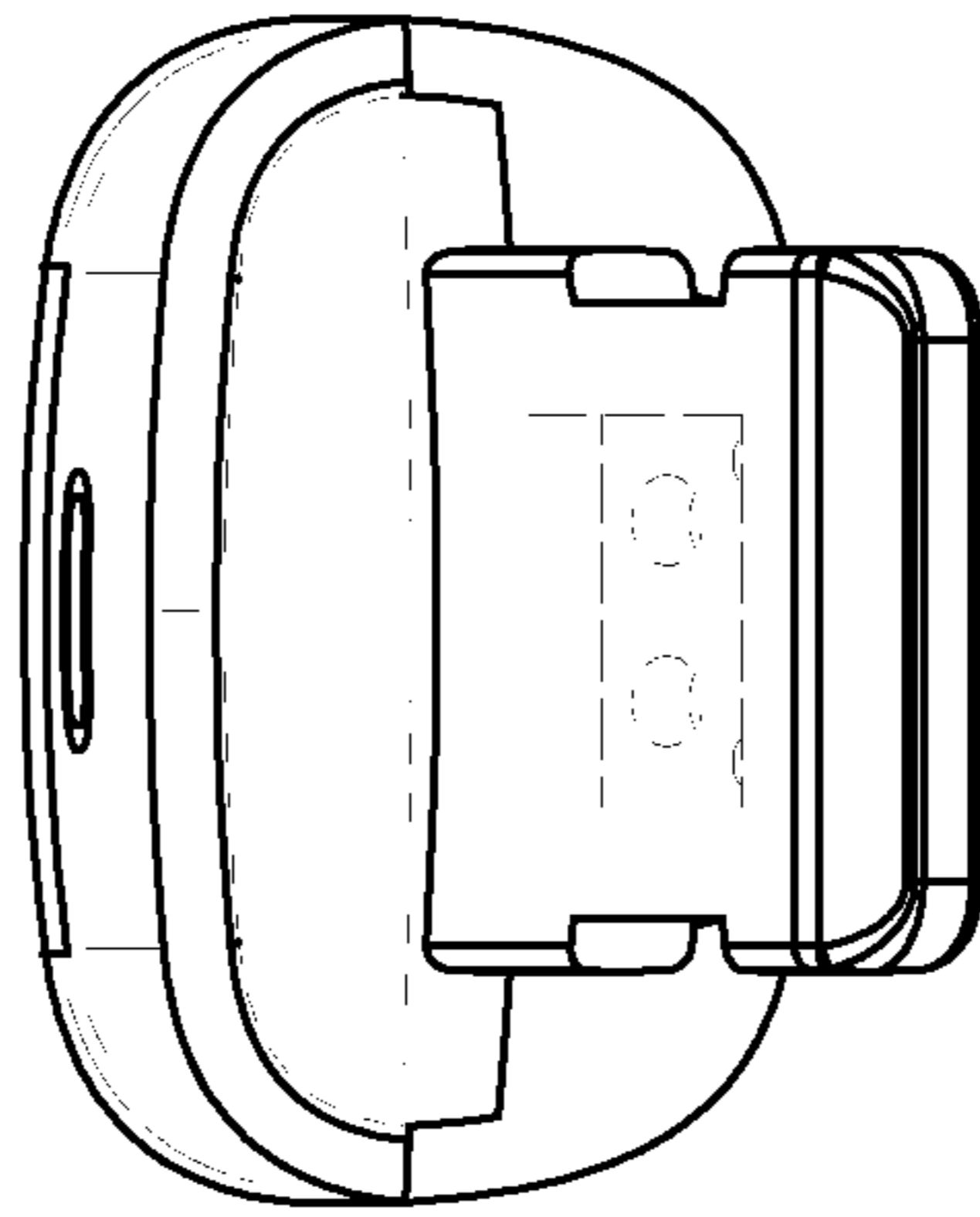


FIG. 5

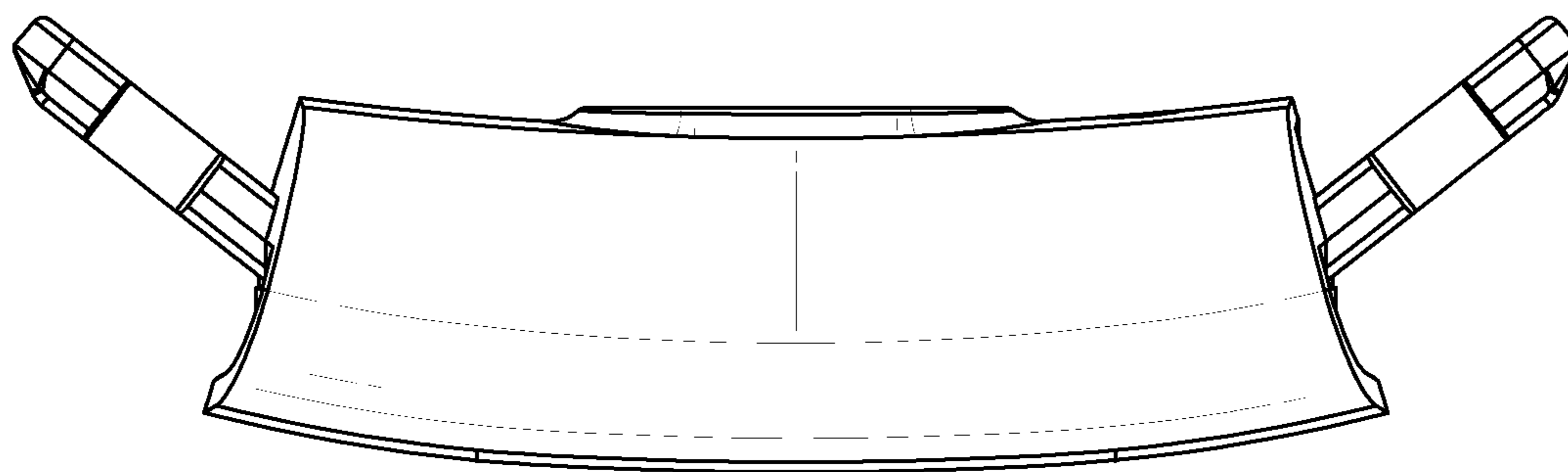


FIG. 6

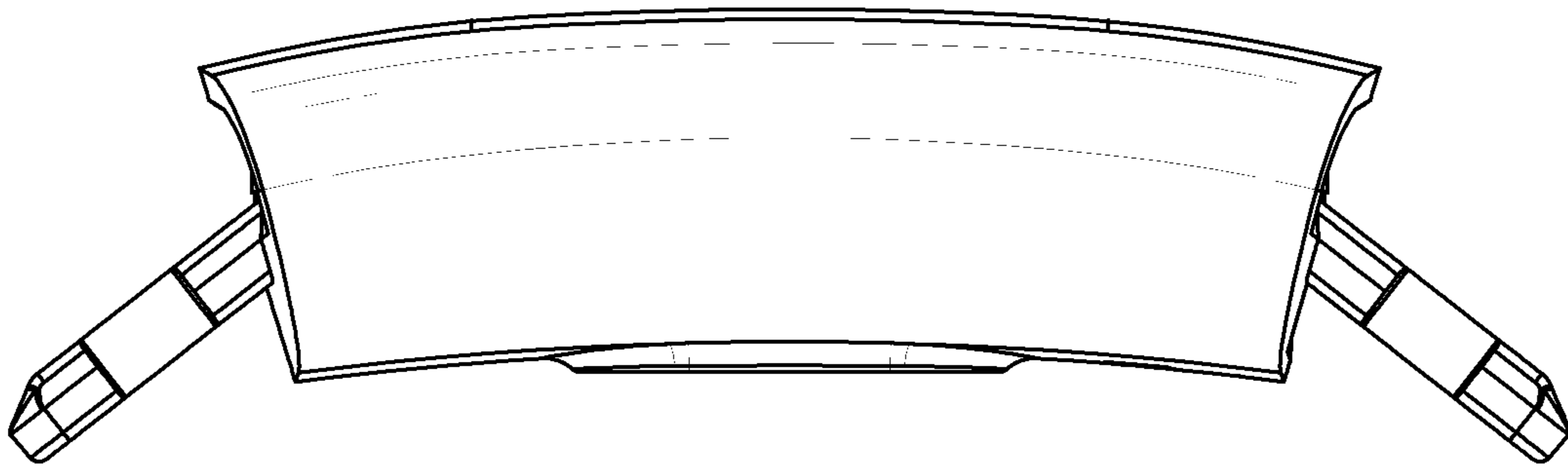


FIG. 7