



US00D924230S

(12) **United States Design Patent** (10) **Patent No.:** **US D924,230 S**
Berganza (45) **Date of Patent:** **** Jul. 6, 2021**

(54) **SMART WATCH**
(71) Applicant: **Edy Arnulfo Villeda Berganza,**
Morristown, NJ (US)
(72) Inventor: **Edy Arnulfo Villeda Berganza,**
Morristown, NJ (US)
(**) Term: **15 Years**
(21) Appl. No.: **29/676,947**
(22) Filed: **Jan. 16, 2019**

(51) **LOC (13) Cl.** **14-02**
(52) **U.S. Cl.**
USPC **D14/344**
(58) **Field of Classification Search**
USPC .. D14/138 R, 144, 341, 344, 358, 388, 218;
D10/30-39, 70, 98; D11/3, 4, 26, 93-94,
D11/78.1, 79, 86; D24/167, 169,
D24/186-187, 164
CPC A41D 1/002; A41D 19/0034; G04G 17/00;
G04G 17/02; G04G 17/08; G04G 17/083;
G04G 17/086; G04C 3/00; G04C 3/001;
G04C 3/002; G04C 3/004; G04C 3/005;
G04C 3/007; G04C 17/00; G04C 23/02;
G04C 23/04; G04B 3/04; G04B 19/24;
G04B 19/26; G04B 37/00; G04B
45/0069; G04B 47/04; G04B 37/0008;
G04B 37/0058; G04B 37/12; G04B
37/18; G04B 45/00; G04B 47/00; G04B
47/042; G04B 47/06; G04B 47/063
See application file for complete search history.

(56) **References Cited**
U.S. PATENT DOCUMENTS
D751,928 S * 3/2016 Shaanan D10/38
D761,685 S * 7/2016 Reaux D11/26
D783,605 S * 4/2017 Lin D14/344
D792,395 S * 7/2017 Han D14/344

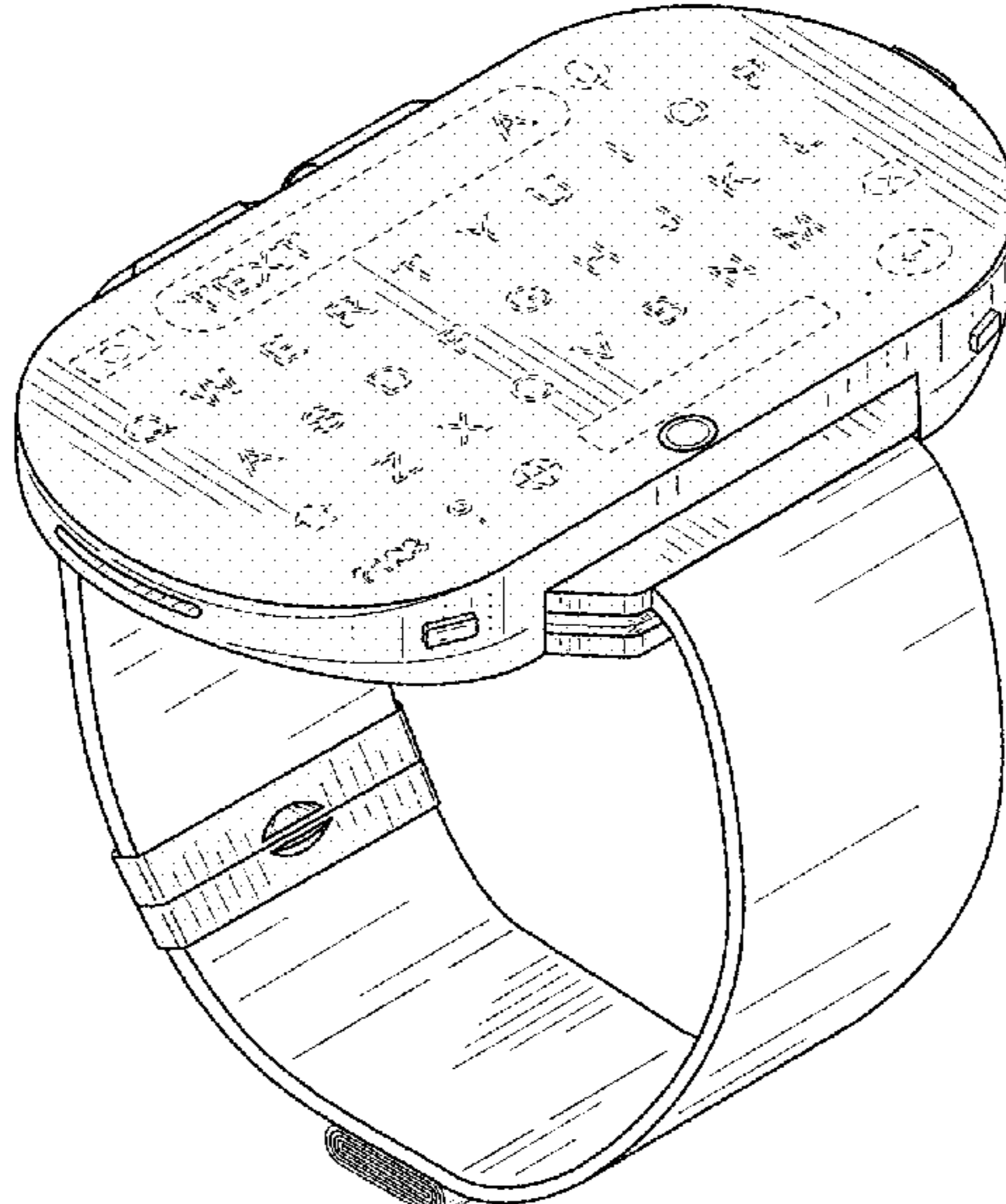
D792,396 S * 7/2017 Han D14/344
D795,250 S * 8/2017 Han D14/344
D801,346 S * 10/2017 Oberpriller D14/453
D807,766 S * 1/2018 Thomas D10/70
D810,738 S * 2/2018 Cho D14/344
D813,864 S * 3/2018 Ham D14/344
D823,311 S * 7/2018 Oberpriller D14/453
D827,638 S * 9/2018 Tamillow D14/344
D835,533 S * 12/2018 Zheng D10/70
D840,254 S * 2/2019 Nguyen D10/70
D865,546 S * 11/2019 Kellock D10/70
D865,761 S * 11/2019 Choplin D14/344
D887,405 S * 6/2020 Kozlovskaya D14/344
D893,473 S * 8/2020 Bihan D14/344
(Continued)

Primary Examiner — George D. Kirschbaum
Assistant Examiner — Joseph J Kukella
(74) *Attorney, Agent, or Firm* — Scott H. Kaliko, Esq;
Kaliko & Associates, LLC

(57) **CLAIM**
An ornamental design for smart watch, as shown and described.

DESCRIPTION
FIG. 1 is a PERSPECTIVE view of the present invention;
FIG. 2 is a FRONT view of the present invention;
FIG. 3 is a BACK view of the present invention;
FIG. 4 is a LEFT view of the present invention;
FIG. 5 is a RIGHT view of the present invention;
FIG. 6 is a TOP view of the present invention;
FIG. 7 is a BOTTOM view of the present invention;
FIG. 8 is a PERSPECTIVE view of the present invention;
and,
FIG. 9 is a PERSPECTIVE view of the present invention.
In the drawings the broken lines depict portions of the smart watch that form no part of the claimed design. In FIG. 9, the broken line showing of the forearm and hand depicts environmental subject matter that forms no part of the claimed design.

1 Claim, 6 Drawing Sheets



(56)

References Cited

U.S. PATENT DOCUMENTS

D916,080 S * 4/2021 Arshad G06F 1/163
D14/344
2020/0159338 A1* 5/2020 Berganza G06F 1/163

* cited by examiner

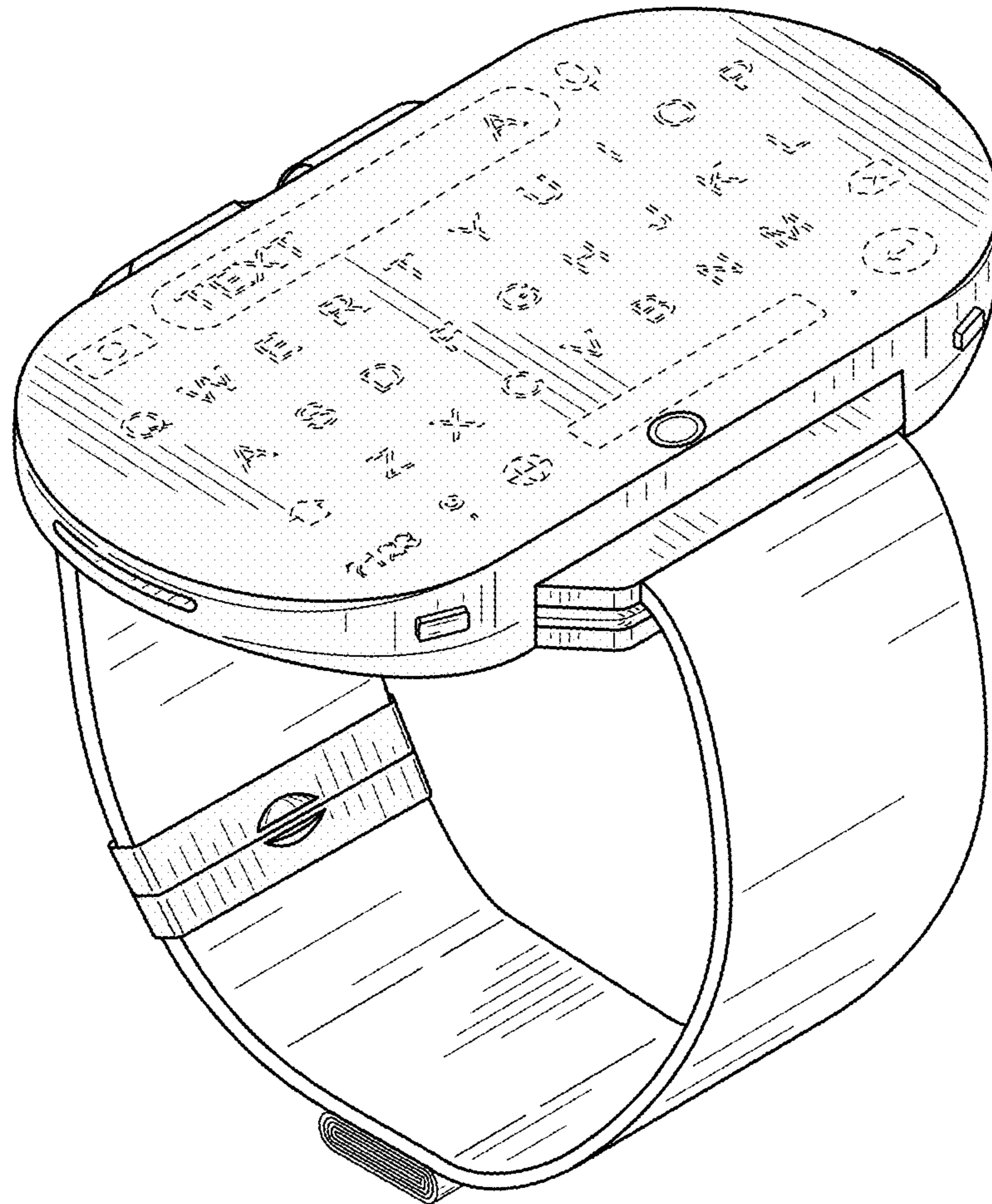


FIG. 1

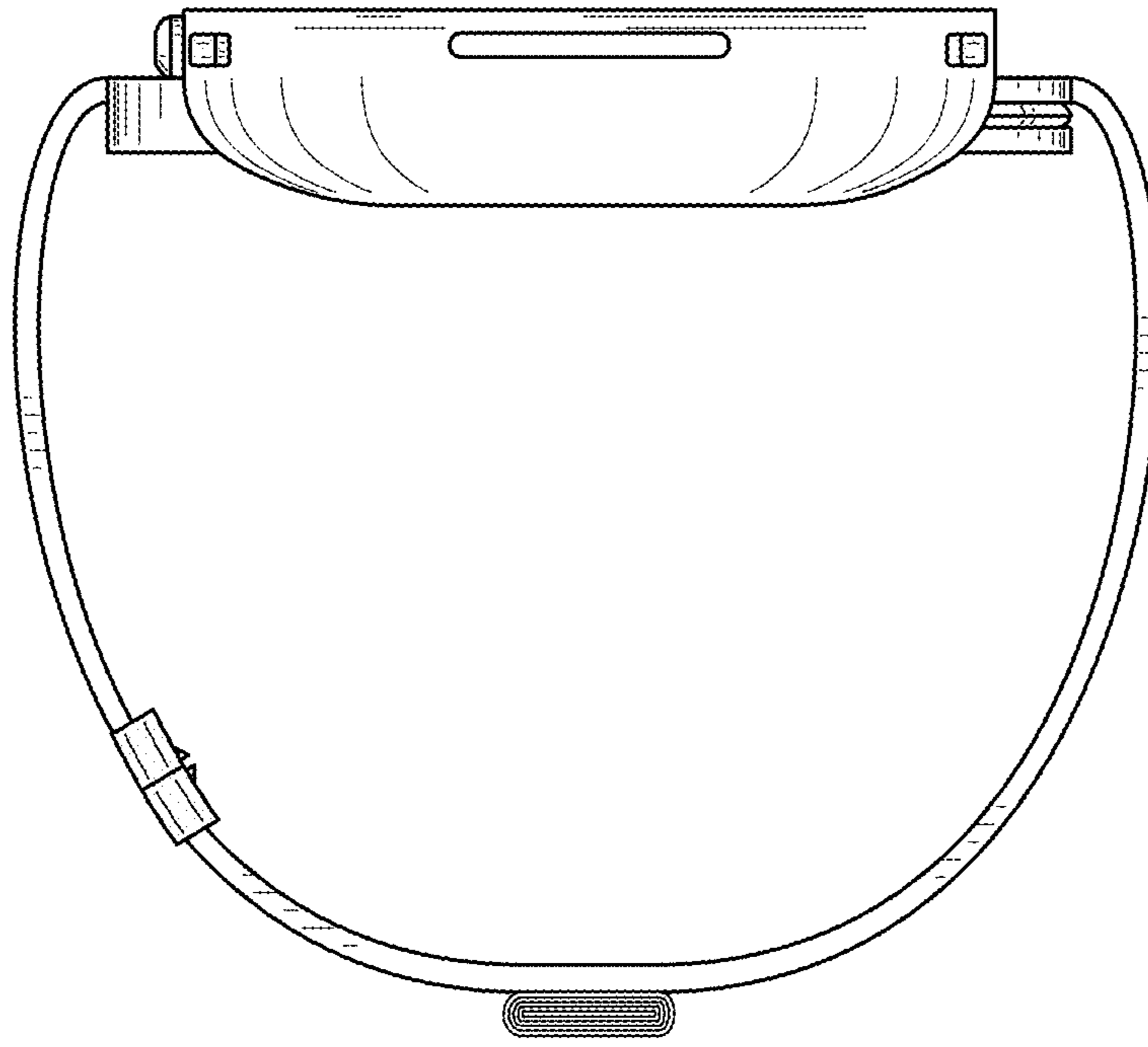


FIG. 2

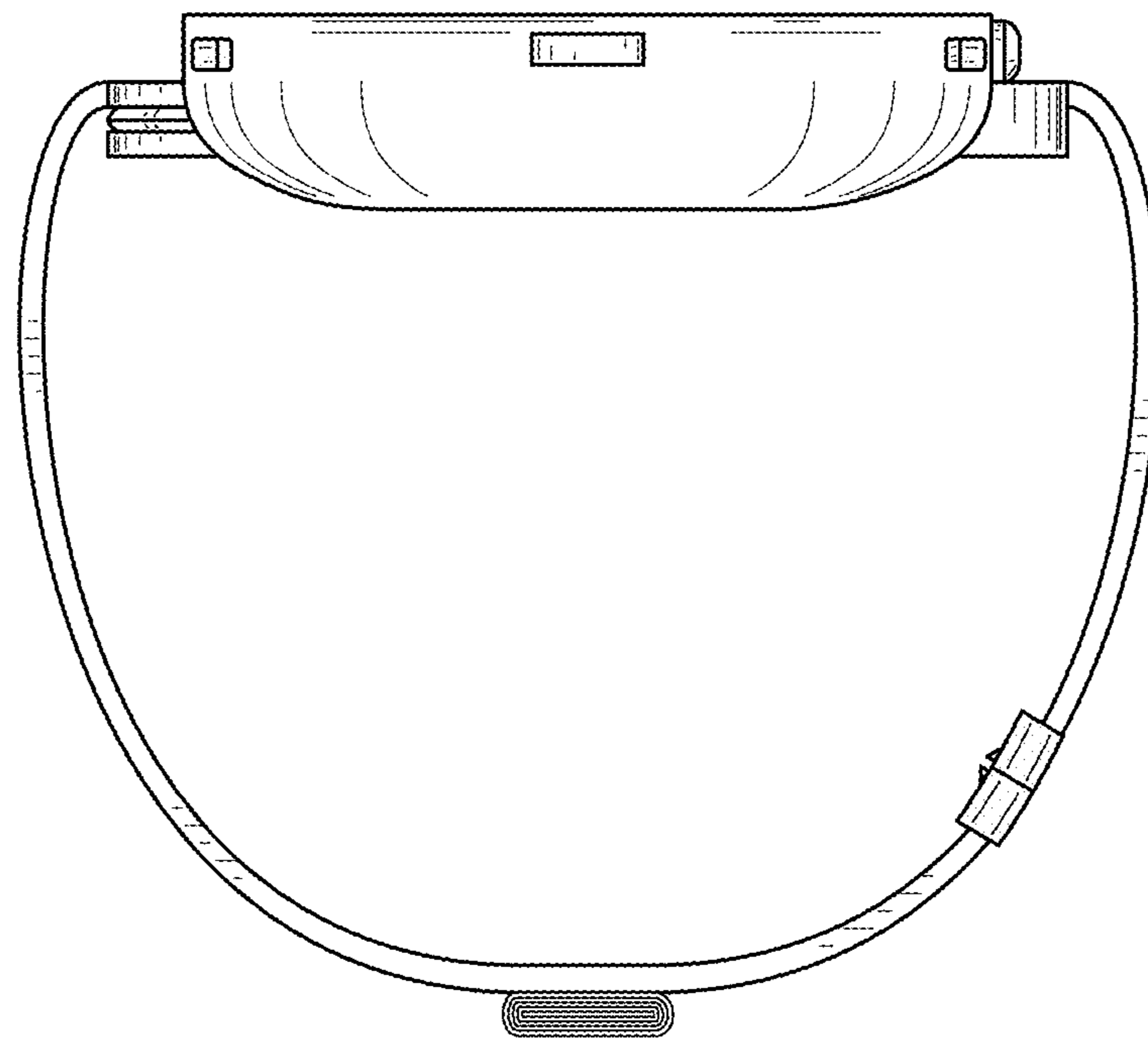


FIG. 3

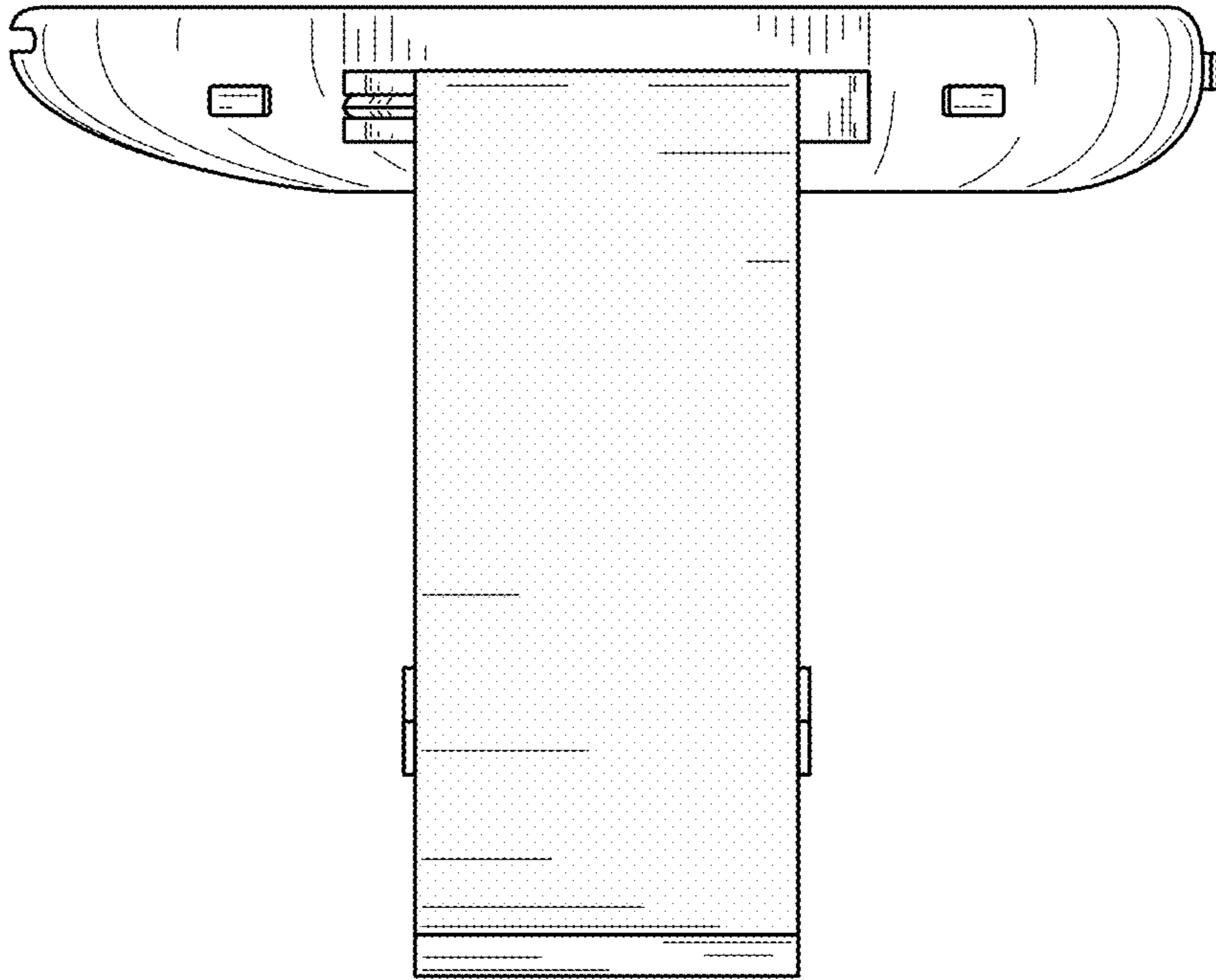


FIG. 4

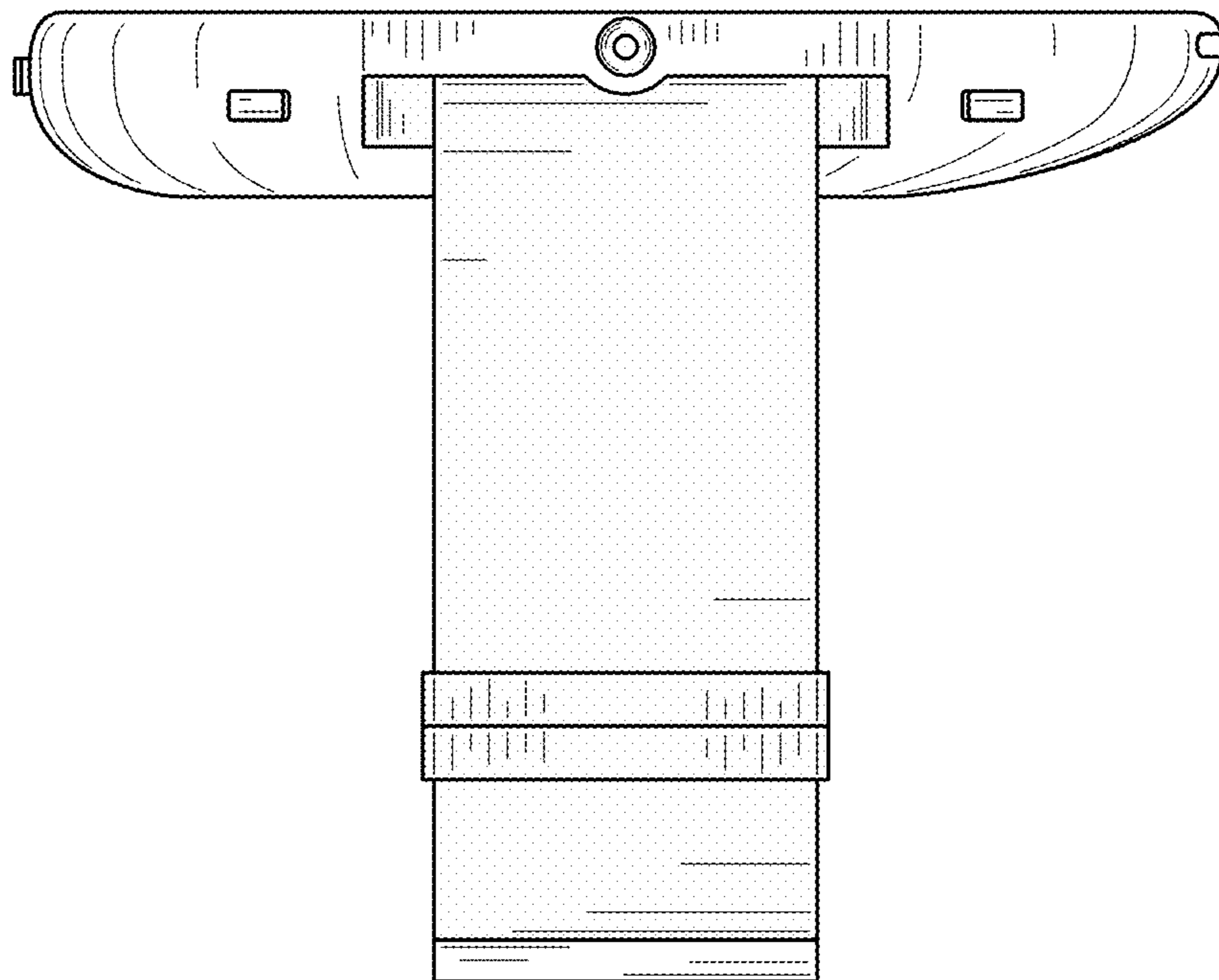


FIG. 5

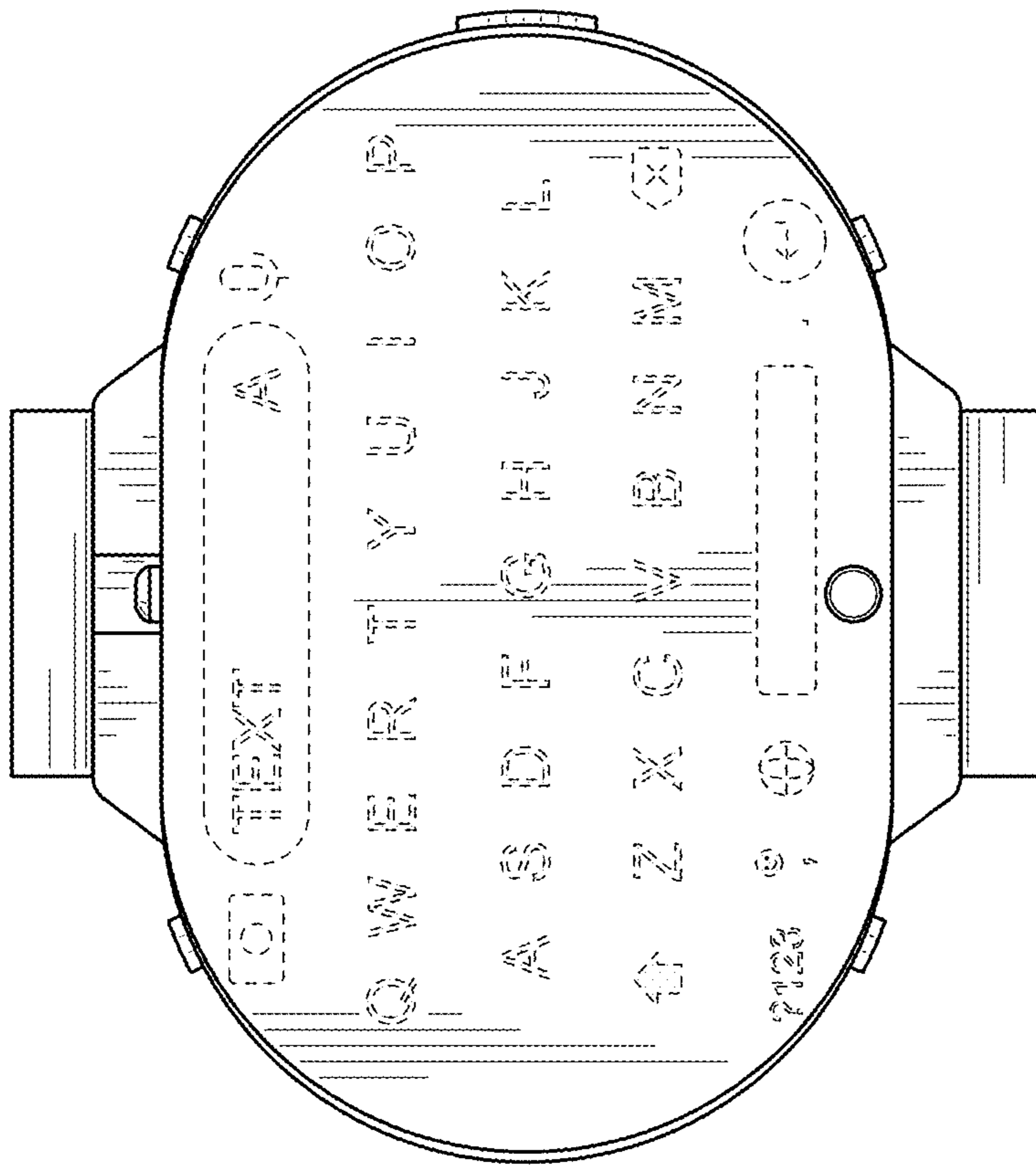


FIG. 6

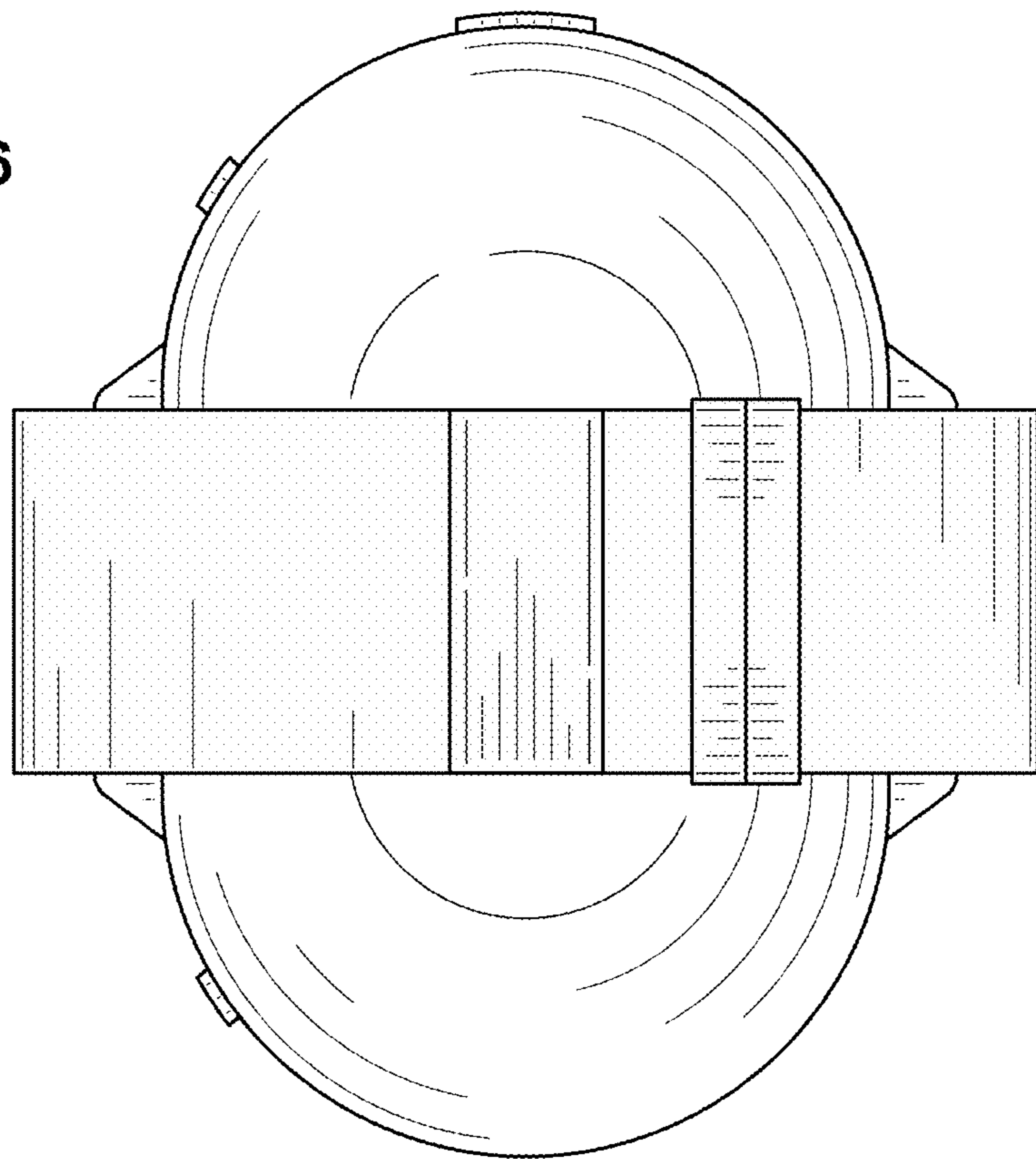


FIG. 7

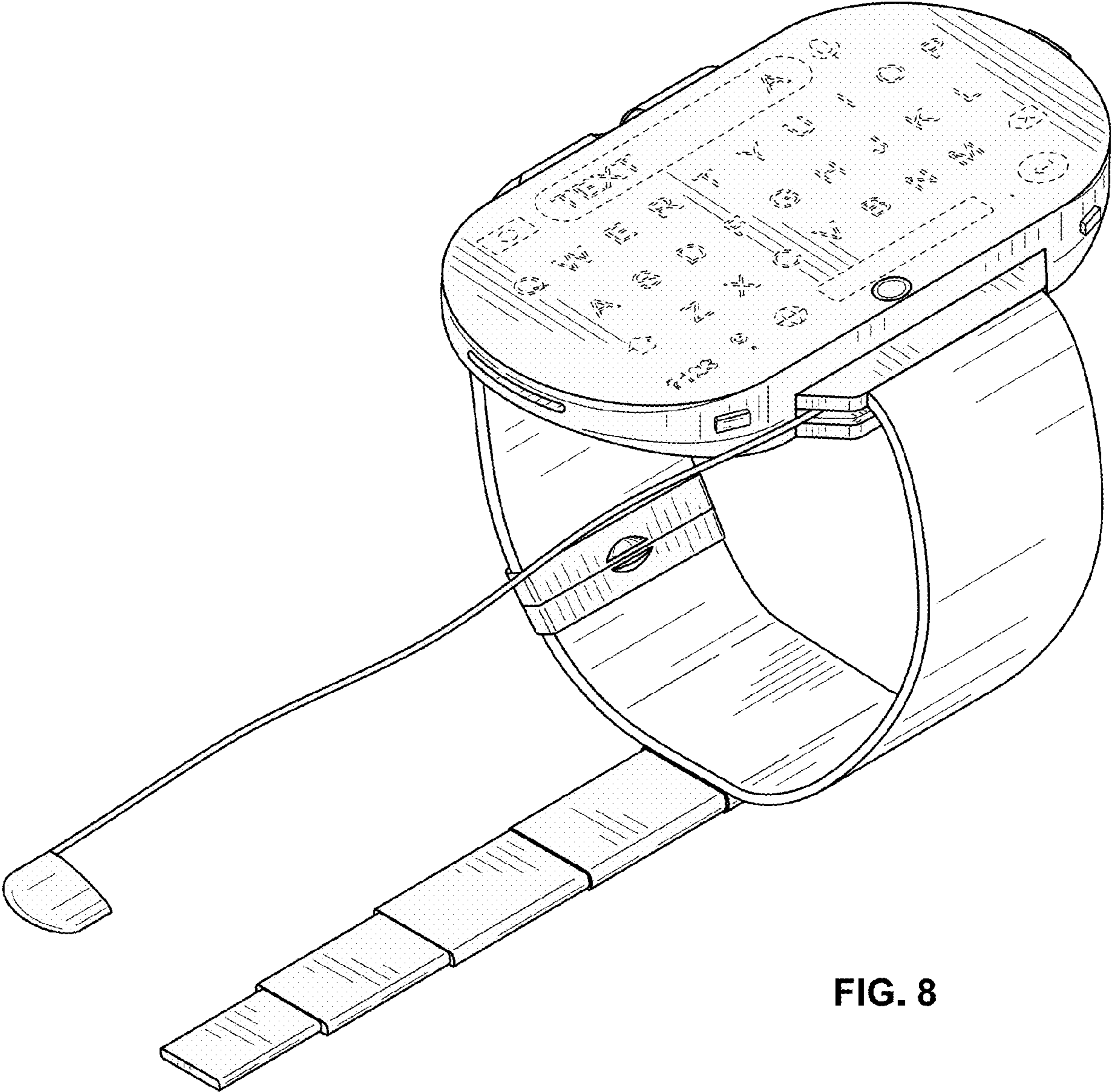


FIG. 8

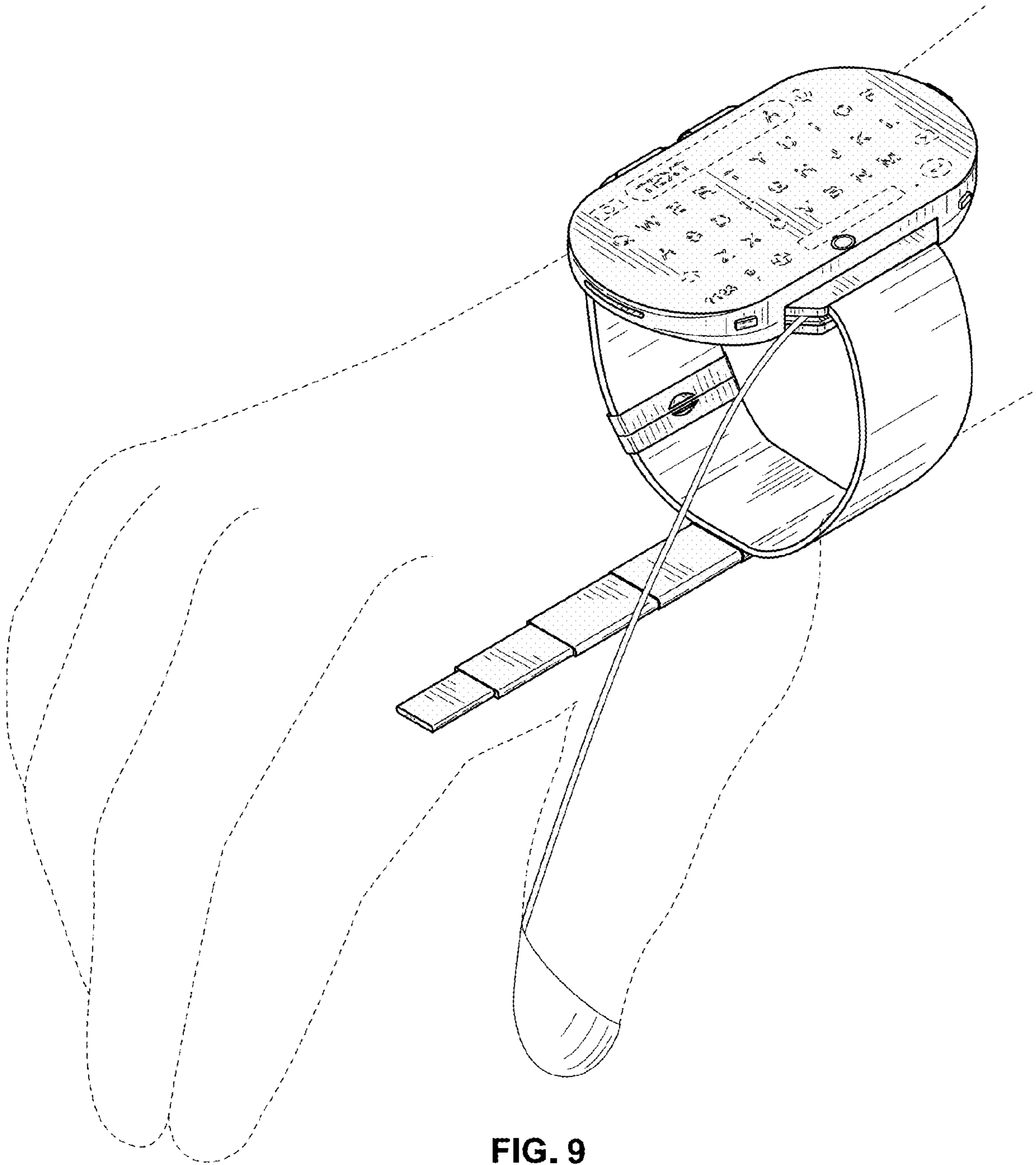


FIG. 9