



US00D924229S

(12) **United States Design Patent**
Seo et al.

(10) **Patent No.:** **US D924,229 S**
(45) **Date of Patent:** **** Jul. 6, 2021**

(54) **PORTABLE ELECTRONIC TERMINAL**

- (71) Applicant: **SAMSUNG DISPLAY CO., LTD.**,
Yongin-si (KR)
- (72) Inventors: **Young-Seok Seo**, Seoul (KR);
Mugyeom Kim, Hwaseong-si (KR)
- (73) Assignee: **SAMSUNG DISPLAY CO., LTD.**,
Yongin-si (KR)
- (**) Term: **15 Years**
- (21) Appl. No.: **29/665,302**
- (22) Filed: **Oct. 2, 2018**

Related U.S. Application Data

- (62) Division of application No. 29/576,963, filed on Sep. 8, 2016, now Pat. No. Des. 831,642.

(30) **Foreign Application Priority Data**

Apr. 6, 2016 (KR) 30-2016-0016222

- (51) **LOC (13) Cl.** **14-02**
- (52) **U.S. Cl.**
USPC **D14/344**
- (58) **Field of Classification Search**
USPC D14/138 r, 144, 341, 344, 358, 388, 218,
D14/485-495; D10/30-39, 70, 98;
(Continued)

(56) **References Cited**

U.S. PATENT DOCUMENTS

- 3,492,809 A * 2/1970 Gisiger-Lusa G04B 37/1486
368/282
- 3,545,198 A 12/1970 Loftus
(Continued)

OTHER PUBLICATIONS

Motorola's expanding their smartwatch line with the fitness-oriented Mate 360 Sport., posted Dec. 15, 2015, [retrieved Jan. 2, 2018]. Retrieved from Internet, <URL: <https://www.androidcentral.com/wrist-first-impressions-moto-360-sport-smartwatch> >.

(Continued)

Primary Examiner — Sheryl Lane

Assistant Examiner — Calvin E Vansant

(74) *Attorney, Agent, or Firm* — F. Chau & Associates, LLC

(57) **CLAIM**

The ornamental design for a portable electronic terminal, as shown and described.

DESCRIPTION

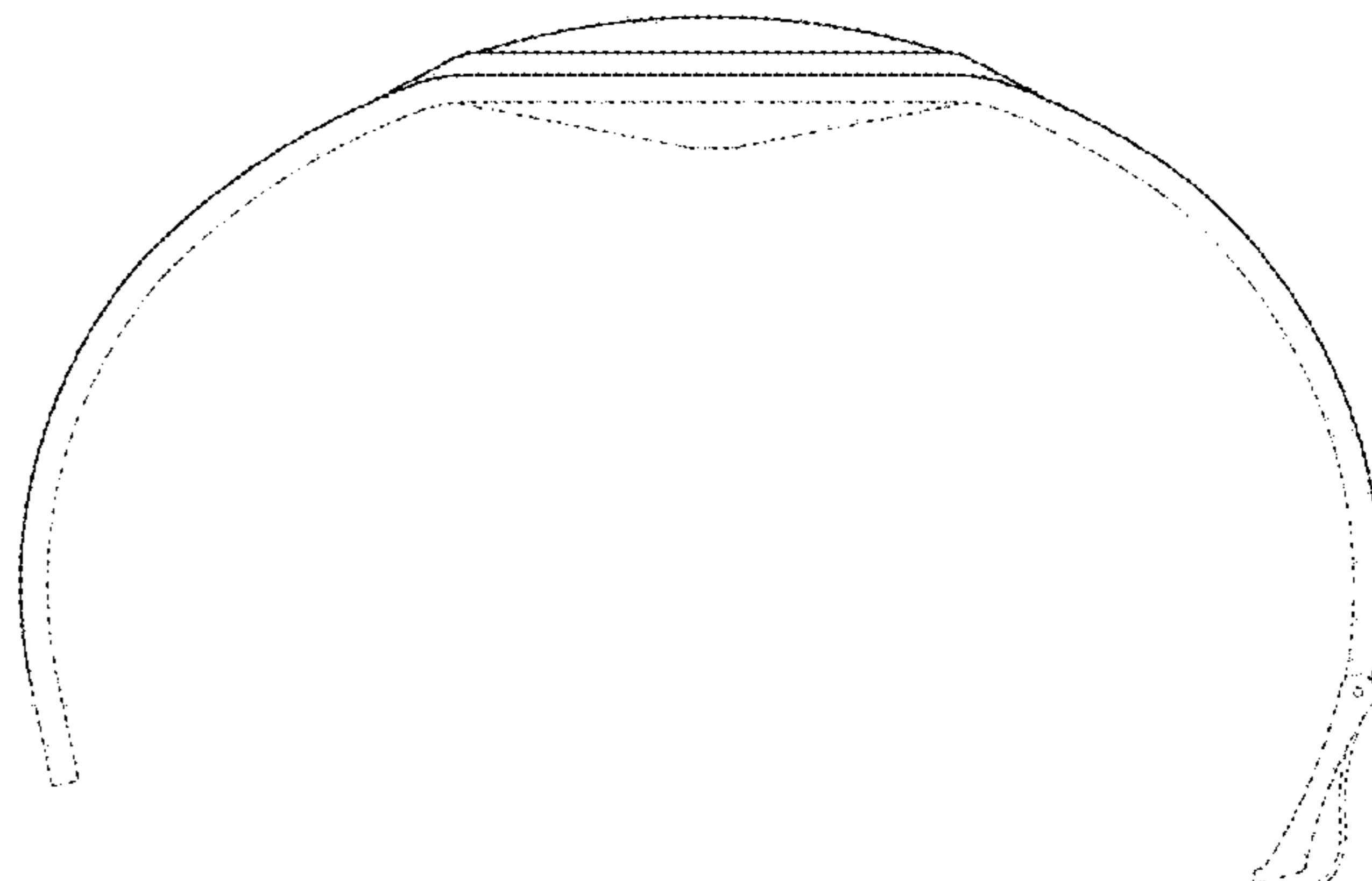
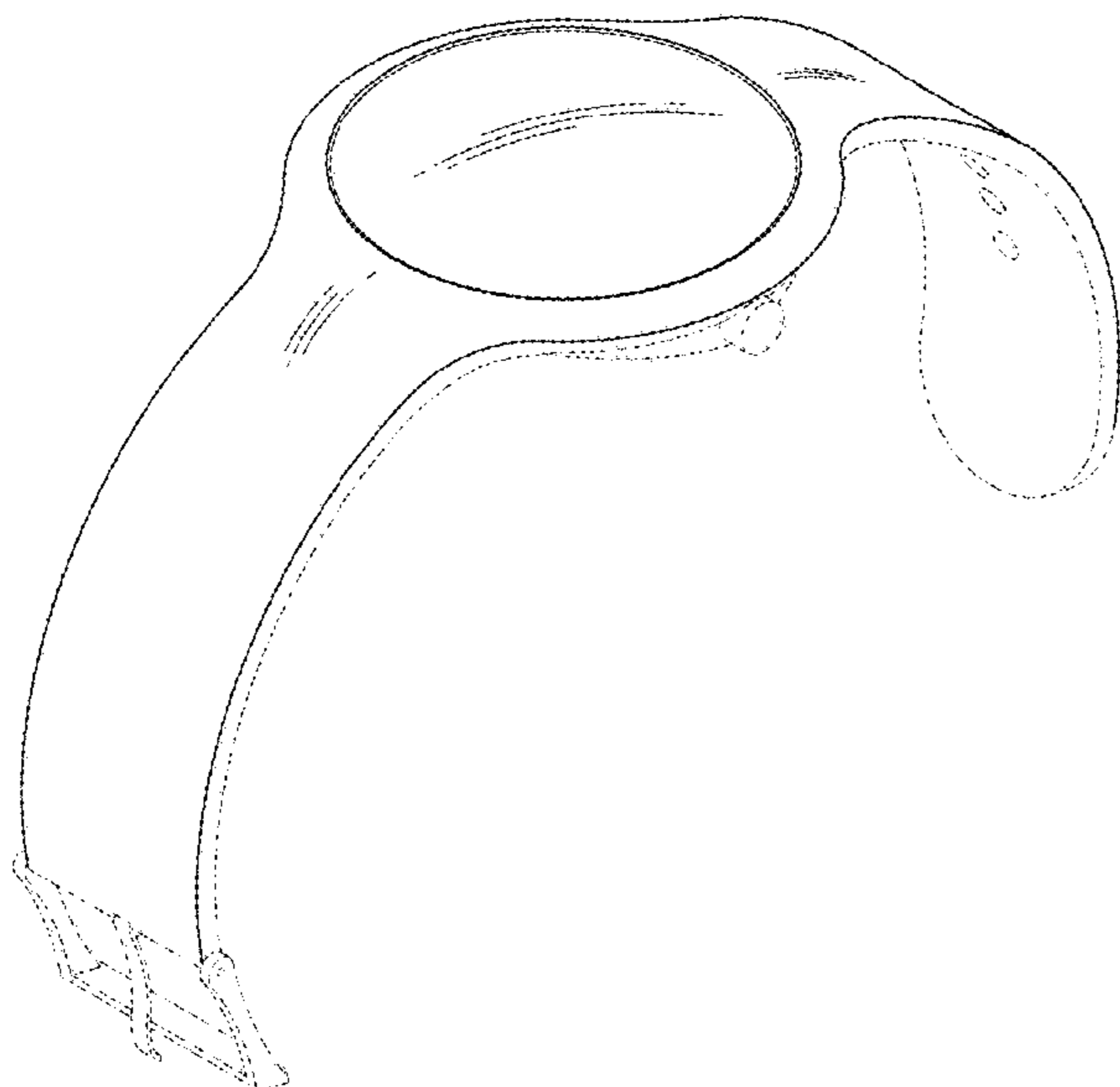
FIG. 1 is a perspective view of a portable electronic terminal showing our new design;
 FIG. 2 is a front view thereof;
 FIG. 3 is a rear view thereof;
 FIG. 4 is a right side view thereof;
 FIG. 5 is a left side view thereof;
 FIG. 6 is a top view thereof;
 FIG. 7 is a bottom view thereof; and,
 FIG. 8 is a perspective view illustrating a state where a circular portion of the portable electronic terminal of FIG. 1 is separated from a remaining portion of the portable electronic terminal.

The broken lines shown in the drawings depict portions of the portable electronic terminal.

The dot-dash lines shown in the drawings depict the bounds of the claim. The broken lines form no part of the claimed design.

Our design is characterized by a watch strap that is continuously and naturally formed to encircle and hold a watch case or housing.

1 Claim, 5 Drawing Sheets



(58) **Field of Classification Search**

USPC D11/3, 4, 26, 93–94, 78.1, 79, 86;
 D24/167, 169, 186–187, 164
 CPC A41D 1/002; A41D 19/0034; G06F 1/04;
 G06F 1/08; G06F 1/10; G06F 1/14; G06F
 1/1626; G06F 1/1628; G06F 1/163; G06F
 1/1635; G06F 1/3203; G06Q 20/10;
 G06Q 20/12; G06Q 20/108; G06Q
 20/145; H04B 1/3833; H04B 1/385;
 H04B 1/3888; H04M 1/02; H04M 1/03;
 H04M 1/04; H04M 1/05; H04M 1/667;
 H04M 1/6058; Y02B 60/1217

See application file for complete search history.

D718,170 S	11/2014	Aumiller et al.	
D726,676 S	4/2015	Park et al.	
D738,748 S	9/2015	Bibl et al.	
D749,965 S	2/2016	Lutgen	
D769,765 S	10/2016	Tao	
D773,318 S *	12/2016	Wong	D10/32
D781,852 S	3/2017	Yu et al.	
D784,177 S	4/2017	Kaiser	
9,647,711 B2	5/2017	Okano	
D793,875 S	8/2017	Mistry et al.	
D794,012 S	8/2017	Mitsugi et al.	
D795,251 S	8/2017	Mistry et al.	
2012/0087216 A1 *	4/2012	Keung	A44C 5/0084 368/282

(56)

References Cited

U.S. PATENT DOCUMENTS

4,958,279 A	9/1990	Proellocks	
D398,247 S	9/1998	Dumas	
D434,678 S	12/2000	Raetz	
D545,697 S *	7/2007	Martin	D10/38
D566,580 S	4/2008	Giorgio	
D687,736 S	8/2013	Wycoff	
D698,689 S	2/2014	Boyd	
D709,874 S *	7/2014	Aumiller	D14/344

OTHER PUBLICATIONS

Misfit Shine Review & Misfit Flash, posted 2014, [retrieved Jan. 2, 2018]. Retrieved from Internet, <URL: <http://triedonline.com/misfit-shine-review-misfit-flash/> >.
 Best Of Machine And Digital, posted Jun. 25, 2010, [retrieved Jan. 2, 2018]. Retrieved from Internet, <URL: <http://www.yankodesign.com/2010-06/25/best-of-machine-and-digital/> >.
 Polar M200Wrist Straps, posted Sep. 20, 2017, [retrieved Jan. 2, 2018]. Retrieved from Internet, <URL: <https://www.amazon.co.uk/POLAR-M200-Wrist-Straps/dp/B075SVG8VH> >.

* cited by examiner

FIG. 1

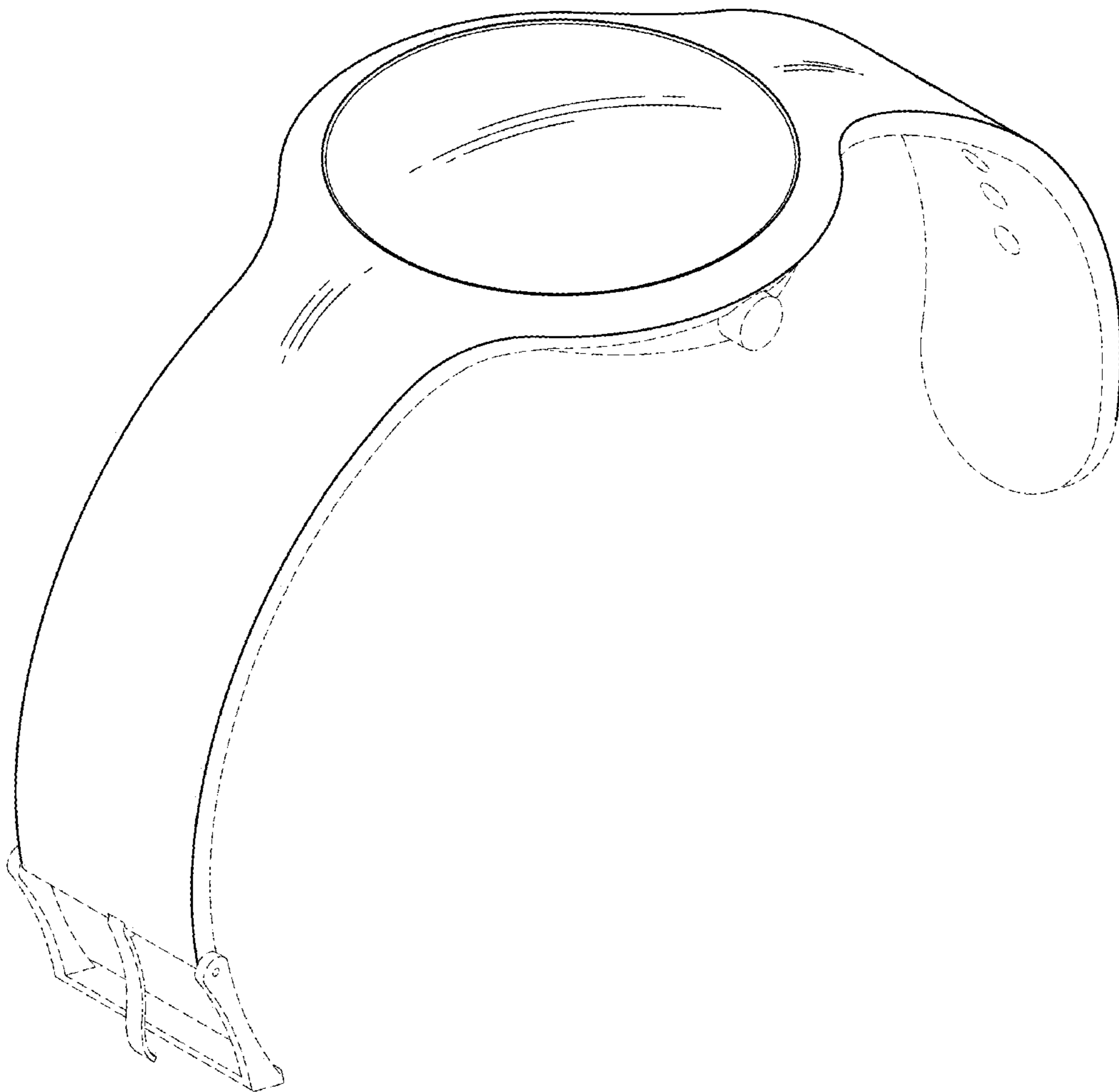


FIG. 2

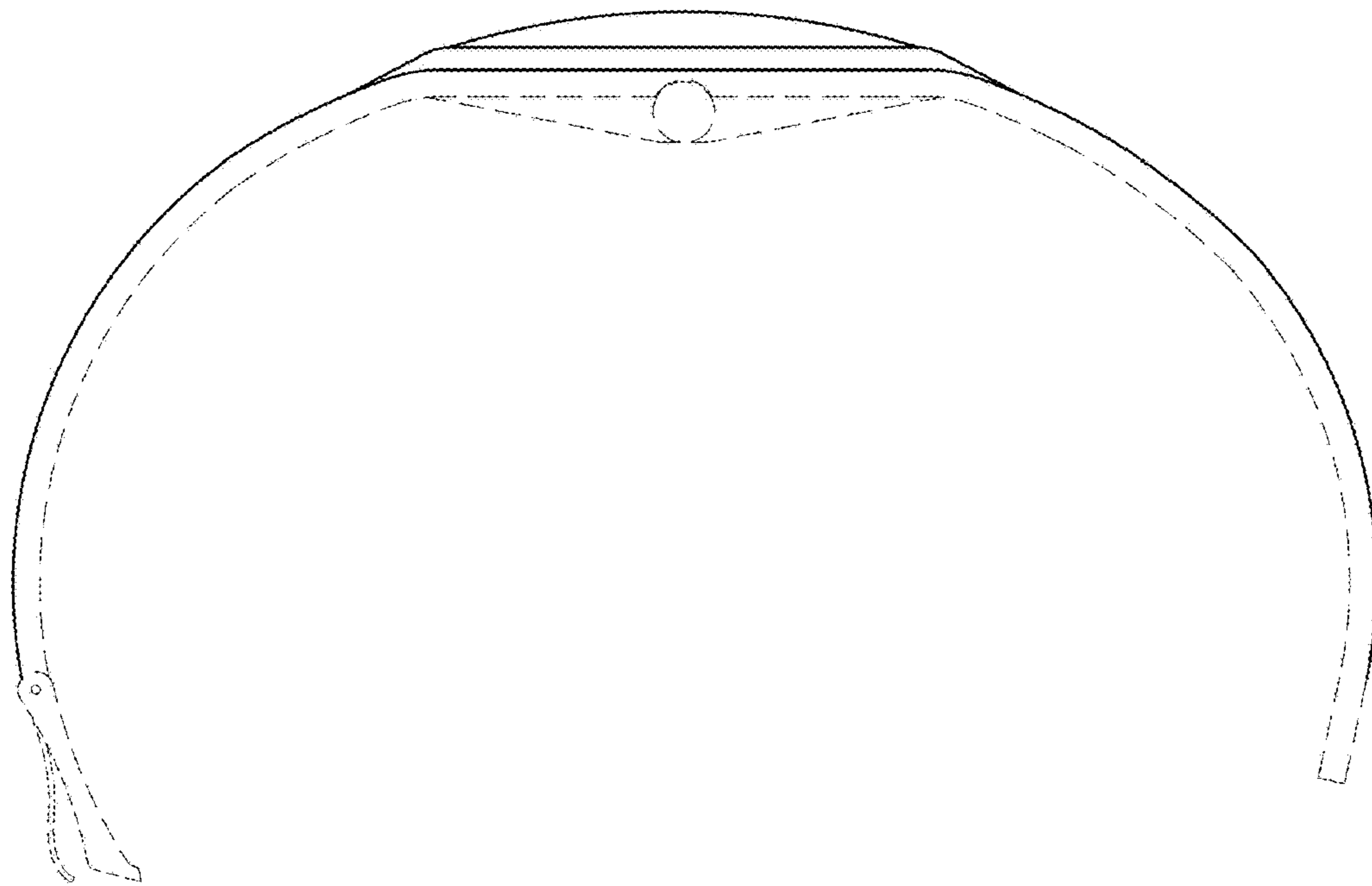


FIG. 3

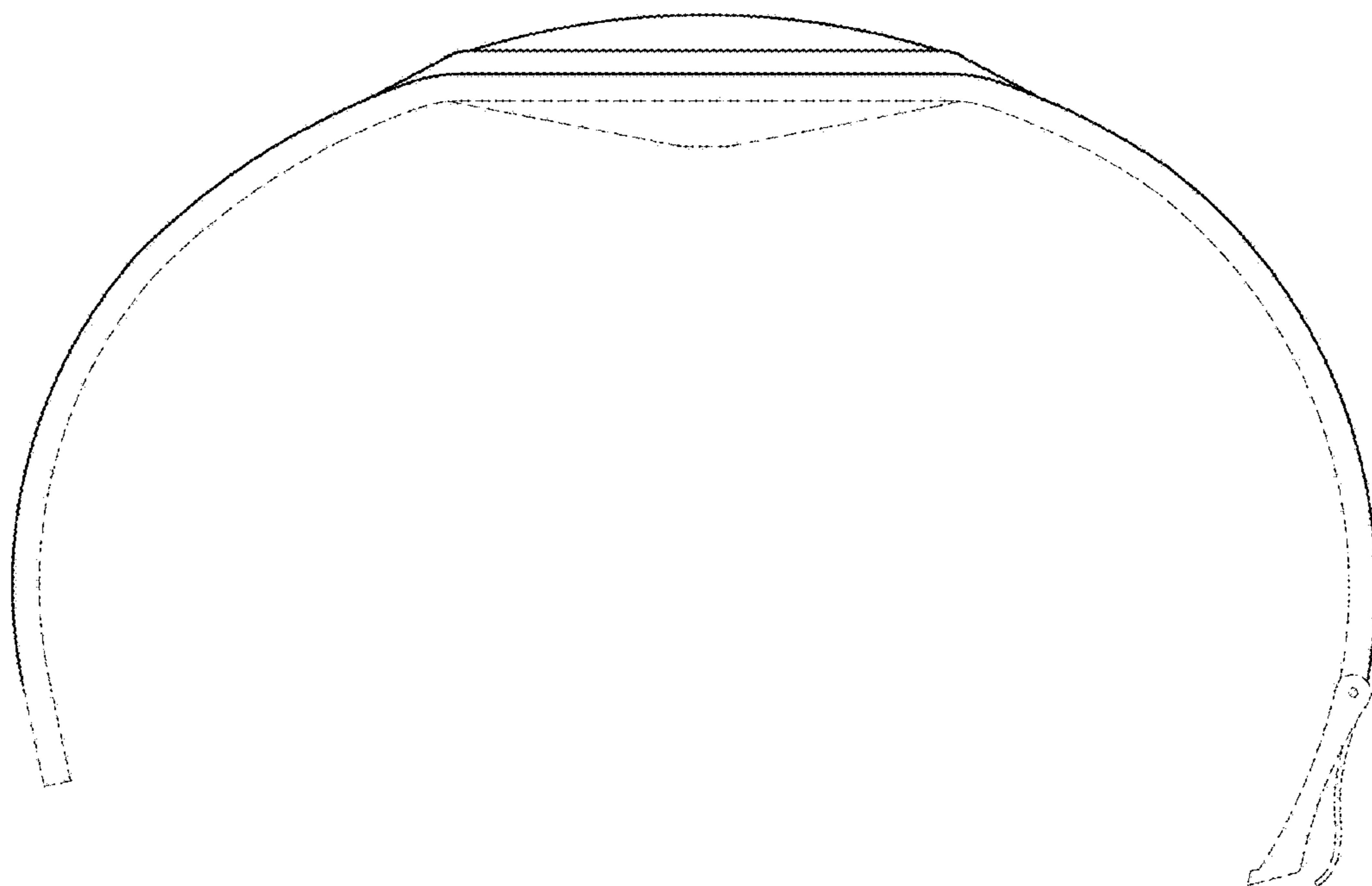


FIG. 4

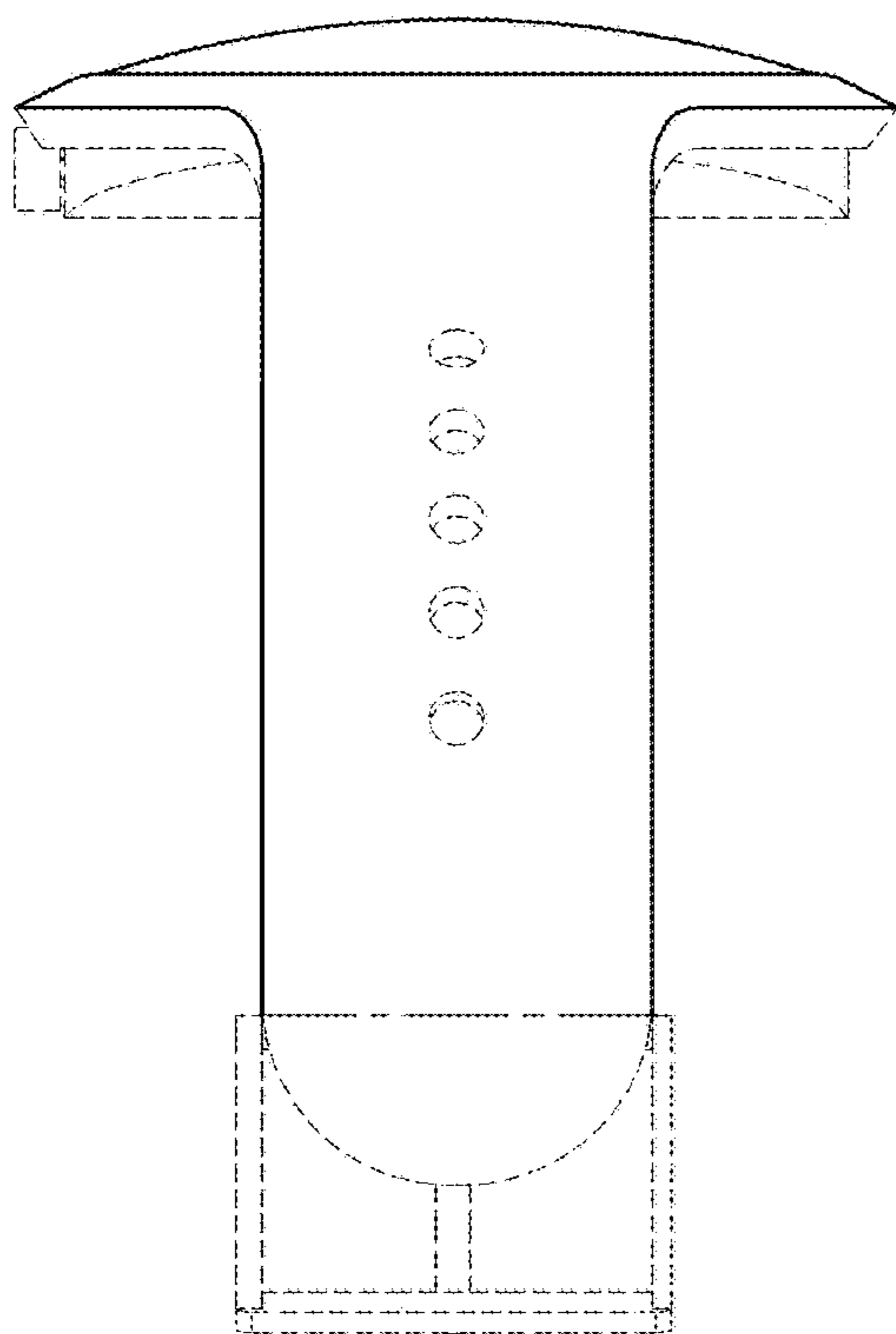


FIG. 5

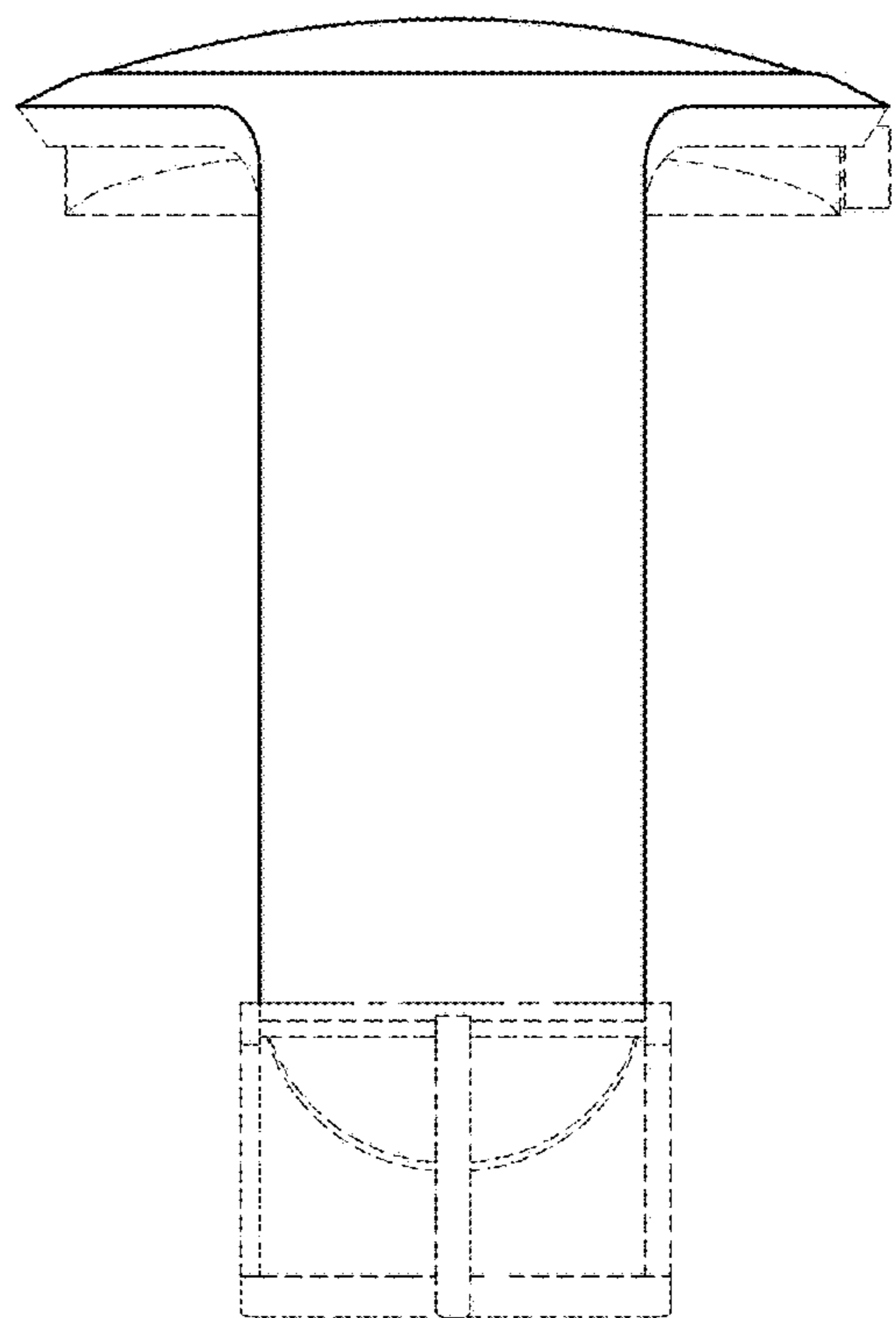


FIG. 6

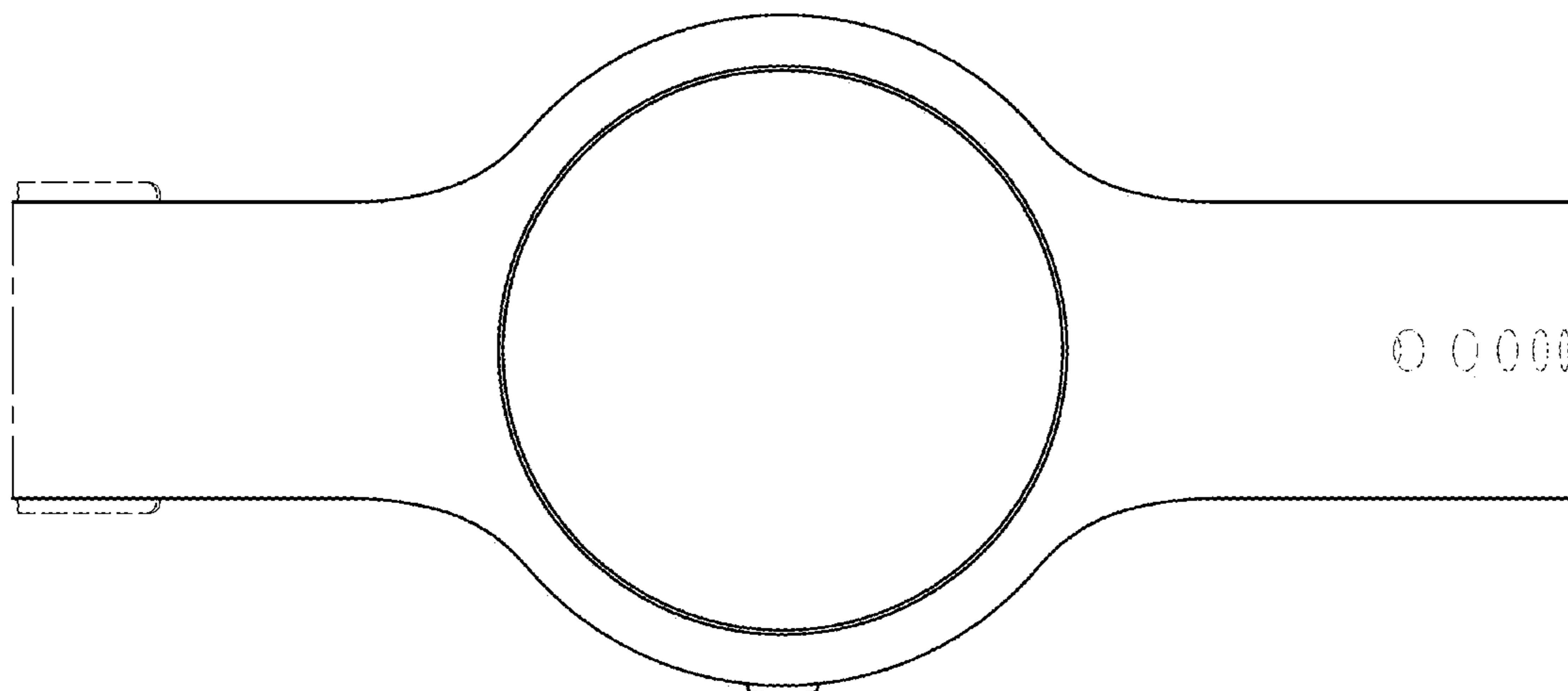


FIG. 7

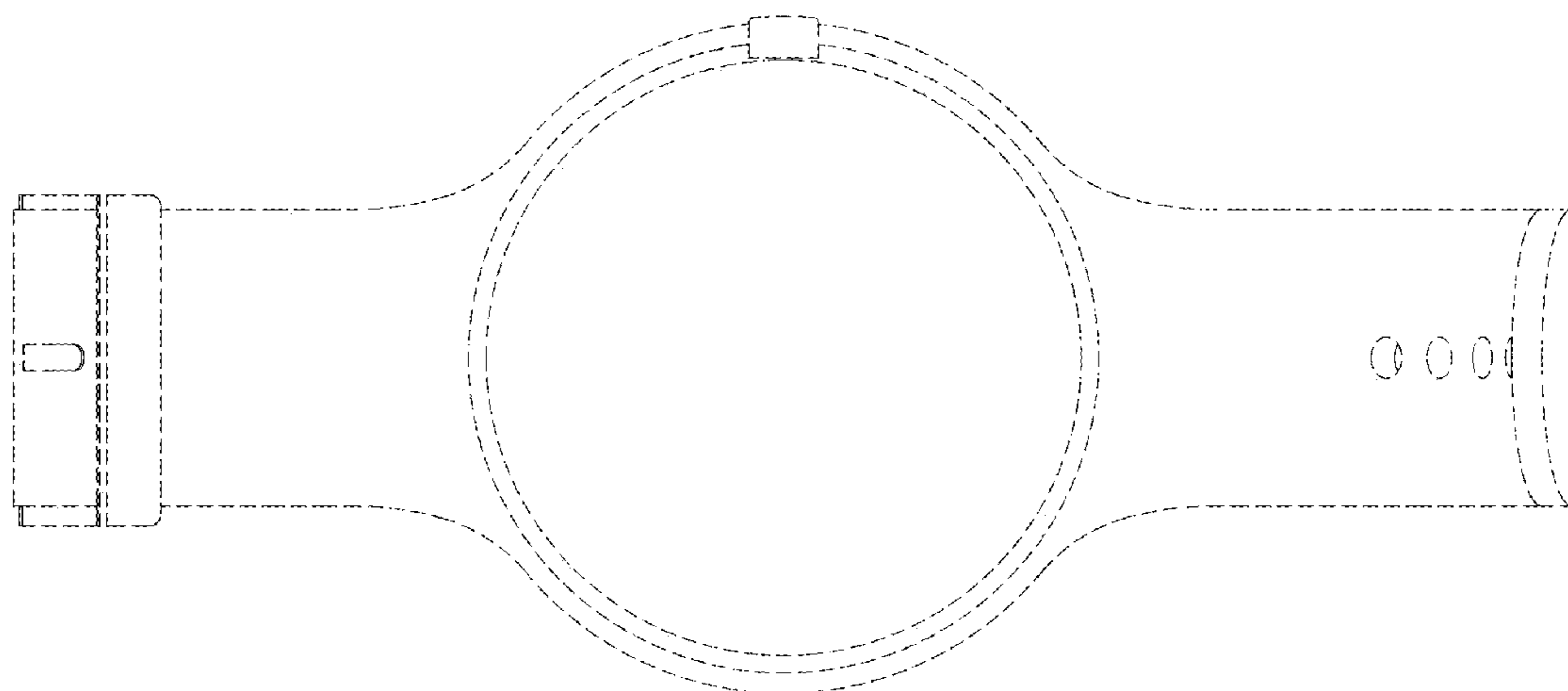


FIG. 8

