



US00D924226S

(12) **United States Design Patent** (10) **Patent No.:** **US D924,226 S**  
**Hung et al.** (45) **Date of Patent:** **\*\* Jul. 6, 2021**

(54) **NOTEBOOK COMPUTER**

(71) Applicants: **Hsiao-Ching Hung**, Taipei (TW);  
**I-Lung Chen**, Taipei (TW);  
**Wang-Hung Yeh**, Taipei (TW)

(72) Inventors: **Hsiao-Ching Hung**, Taipei (TW);  
**I-Lung Chen**, Taipei (TW);  
**Wang-Hung Yeh**, Taipei (TW)

(73) Assignee: **COMPAL ELECTRONICS, INC.**,  
Taipei (TW)

(\*\*) Term: **15 Years**

(21) Appl. No.: **29/697,437**

(22) Filed: **Jul. 9, 2019**

(30) **Foreign Application Priority Data**

May 24, 2019 (TW) ..... 108303034

(51) **LOC (13) Cl.** ..... **14-02**

(52) **U.S. Cl.**  
USPC ..... **D14/315**

(58) **Field of Classification Search**  
USPC ..... D14/150, 168, 203.4, 203.6, 247,  
D14/315-327, 331, 345-346, 371, 376,  
(Continued)

(56) **References Cited**

**U.S. PATENT DOCUMENTS**

D141,940 S \* 7/1945 Ikelheimer ..... D8/403  
3,677,044 A \* 7/1972 De Frees ..... A45C 11/323  
70/456 R

(Continued)

**FOREIGN PATENT DOCUMENTS**

CN 305231586 \* 6/2019  
CN 305836050 \* 6/2020  
JP D1649709 \* 1/2020

**OTHER PUBLICATIONS**

Defender Series Case for iPad Pro, Otterbox, amazon.com, published by OtterBox on Mar. 31, 2016 © 1996-2020 Amazon.com, Inc., online, site visited Sep. 27, 2020. Available at URL: <https://www.amazon.com/OtterBox-DEFENDER-Case-Pro9-7-VERSION/dp/B01DJB45A2> (Year: 2016).\*

(Continued)

*Primary Examiner* — Marissa J Cash

*Assistant Examiner* — Altaira J Swangin

(74) *Attorney, Agent, or Firm* — JCIPRNET

(57) **CLAIM**

The ornamental design for a notebook computer, as shown and described.

**DESCRIPTION**

FIG. 1 is a perspective view of a notebook computer showing our new design;

FIG. 2 is a front view thereof;

FIG. 3 is a rear view thereof;

FIG. 4 is a left side view thereof;

FIG. 5 is a right side view thereof;

FIG. 6 is a top view thereof;

FIG. 7 is a bottom view thereof;

FIG. 8 is a perspective view thereof in an alternate state of use;

FIG. 9 is a front view thereof in an alternate state of use;

FIG. 10 is a rear view thereof in an alternate state of use;

FIG. 11 is a left side view thereof in an alternate state of use;

FIG. 12 is a right side view thereof in an alternate state of use;

FIG. 13 is a top view thereof in an alternate state of use;

FIG. 14 is a bottom view thereof in an alternate state of use;

FIG. 15 is an enlarged view of the portion, labeled '15' of FIG. 1;

FIG. 16 is an enlarged view of the portion, labeled '16' of FIG. 1;

FIG. 17 is an enlarged view of the portion, labeled '17' of FIG. 5;

FIG. 18 is an enlarged view of the portion, labeled '18' of FIG. 6;

(Continued)

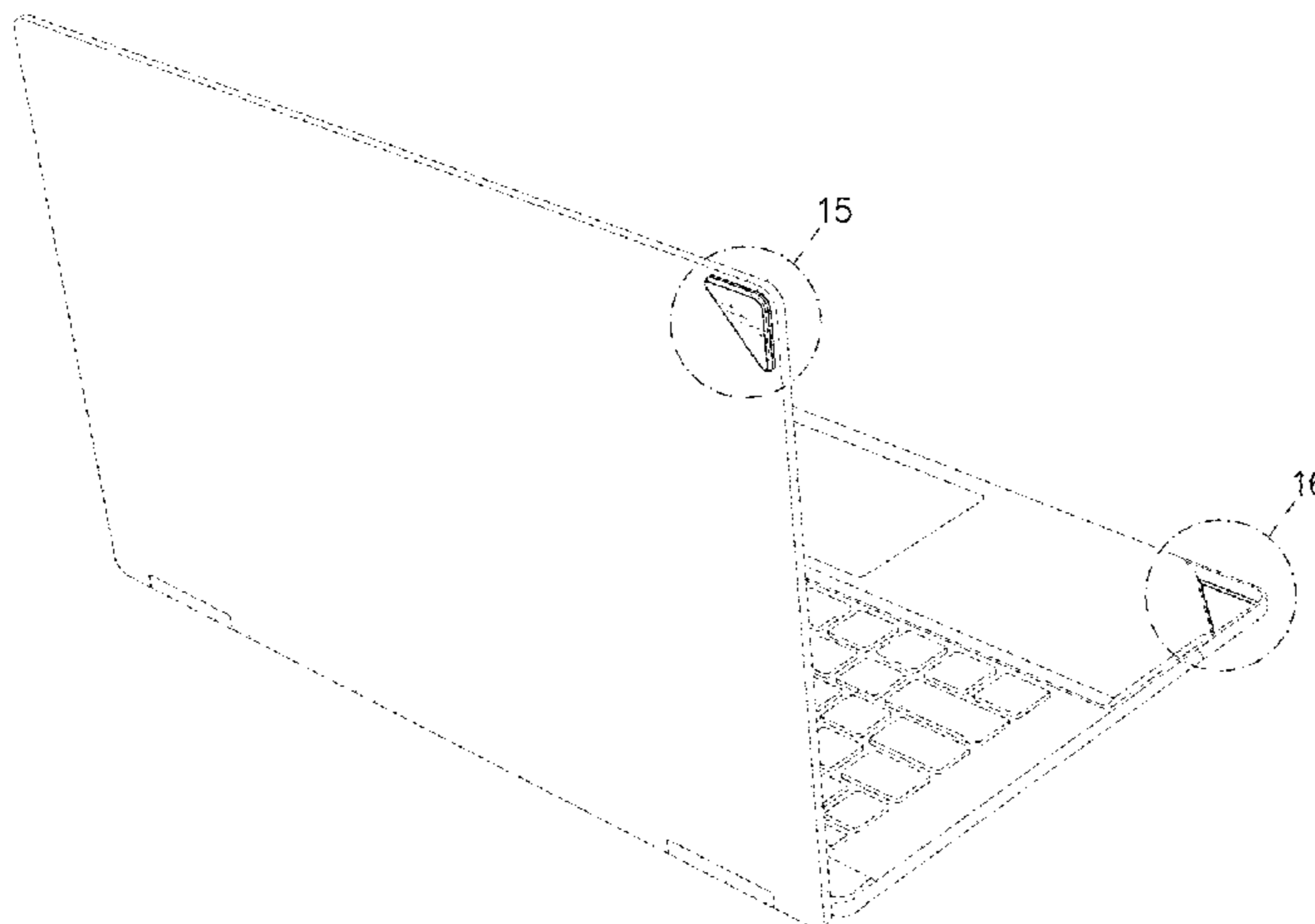


FIG. 19 is an enlarged view of the portion, labeled '19' of FIG. 8; and,

FIG. 20 is an enlarged view of the portion, labeled '20' of FIG. 9.

The dashed broken lines illustrate portions of the notebook computer and form no part of the claimed design.

**1 Claim, 18 Drawing Sheets**

**(58) Field of Classification Search**

USPC ..... D14/391-399, 401, 429, 434, 440,  
D14/455-457, 477, 479, 507, 509,  
D14/353-355, 341, 439, 441;  
D3/900-901, 251; 361/679.08, 679.09,  
361/679.11, 679.26, 679.27; D21/324,  
D21/409, 512, 515; D23/353-354, 366,  
D23/393, 397, 406; D2/972; D9/420,  
D9/422, 435, 449, 686, 705; D8/354,  
D8/402-403; D7/510-511, 591;  
220/263, 520-521  
CPC ..... B41J 5/00; B41J 5/10; B41J 5/12; G06F  
1/1664; G06F 1/1637; A45C 2011/003;  
B65D 47/0838

See application file for complete search history.

**(56) References Cited**

**U.S. PATENT DOCUMENTS**

D260,590 S \* 9/1981 Hobson ..... D8/403  
4,555,114 A \* 11/1985 Dozier ..... A63F 7/40  
273/126 R  
4,610,371 A \* 9/1986 Karkiewicz ..... B65D 47/0838  
220/266  
4,990,345 A \* 2/1991 Webb ..... B65D 77/245  
206/205  
D330,632 S \* 11/1992 Hensley ..... D3/251  
D364,331 S \* 11/1995 Leek ..... D8/354  
D365,682 S \* 1/1996 Calmeise ..... D3/319  
D400,780 S \* 11/1998 Wurdack ..... D8/374  
D470,869 S \* 2/2003 Pinchot ..... D15/139  
D537,337 S \* 2/2007 Brockington ..... D8/499  
D538,357 S \* 3/2007 Salmon ..... D21/505  
D589,485 S \* 3/2009 He ..... D14/138 AB  
D602,926 S \* 10/2009 Pegon ..... D14/247  
D616,427 S \* 5/2010 Li ..... D14/247  
D644,641 S \* 9/2011 Akana ..... D14/315  
D649,964 S \* 12/2011 Chikuma ..... D14/315  
D669,759 S \* 10/2012 Castilleja ..... D8/354

8,276,285 B1 \* 10/2012 Bennett ..... B43L 1/00  
33/429  
D677,935 S \* 3/2013 Pirayesh ..... D6/676  
D687,829 S \* 8/2013 Miller ..... D14/385  
D713,289 S \* 9/2014 Fildan ..... D11/200  
8,915,357 B2 \* 12/2014 Mecchella ..... A45C 11/00  
206/45.23  
D729,218 S \* 5/2015 Wilson ..... D14/250  
D740,236 S \* 10/2015 Terzoli ..... D13/168  
9,158,337 B2 \* 10/2015 Leung ..... G06F 1/1632  
D744,132 S \* 11/2015 Hollingworth ..... D26/28  
D755,773 S \* 5/2016 Kim ..... D14/250  
D765,235 S \* 8/2016 O'Kane ..... D23/366  
D765,642 S \* 9/2016 Bulkley ..... D14/250  
D765,825 S \* 9/2016 O'Kane ..... D23/366  
D771,027 S \* 11/2016 Prstojevich ..... D14/250  
D771,611 S \* 11/2016 Chang ..... D14/250  
D772,234 S \* 11/2016 Massucco ..... D14/440  
D776,298 S \* 1/2017 Melin ..... D25/38.1  
D778,269 S \* 2/2017 Kahn ..... D14/240  
D787,503 S \* 5/2017 Bai ..... D14/315  
D789,937 S \* 6/2017 Zhang ..... D14/440  
D803,224 S \* 11/2017 Besterman ..... D14/441  
D805,519 S \* 12/2017 Diebel ..... A45C 11/00  
D14/440  
D817,537 S \* 5/2018 Clark ..... D26/88  
D826,450 S \* 8/2018 Clark ..... D26/80  
D851,084 S \* 6/2019 Yuan ..... D14/315  
D852,198 S \* 6/2019 Moore ..... D14/440  
D872,093 S \* 1/2020 Xu ..... D14/440  
D877,037 S \* 3/2020 Dexter ..... D12/400  
D885,399 S \* 5/2020 Chen ..... D14/440  
D885,400 S \* 5/2020 Mecchella ..... D14/440  
D892,127 S \* 8/2020 Chen ..... D14/440  
D896,233 S \* 9/2020 Chen ..... D14/440  
2004/0084839 A1 \* 5/2004 Yang ..... A63F 9/06  
273/157 R  
2005/0006505 A1 \* 1/2005 McNeeley ..... A47J 43/25  
241/95  
2006/0000837 A1 \* 1/2006 Watson ..... B65D 51/30  
220/521  
2012/0181195 A1 \* 7/2012 Lu ..... A45C 11/00  
206/320  
2018/0049529 A1 \* 2/2018 Buechin ..... G02F 1/133308  
2019/0354224 A1 \* 11/2019 Keylian ..... A63F 13/26

**OTHER PUBLICATIONS**

Cornerstone Metal Corner Antenna, Compal, ifworlddesignguide.com, published by if Design date unknown © 1996-2020 Amazon.com, Inc., online, site visited Sep. 27, 2020. Available at URL: <https://ifworlddesignguide.com/entry/273435-cornerstone> (Year : 2020).\*

\* cited by examiner

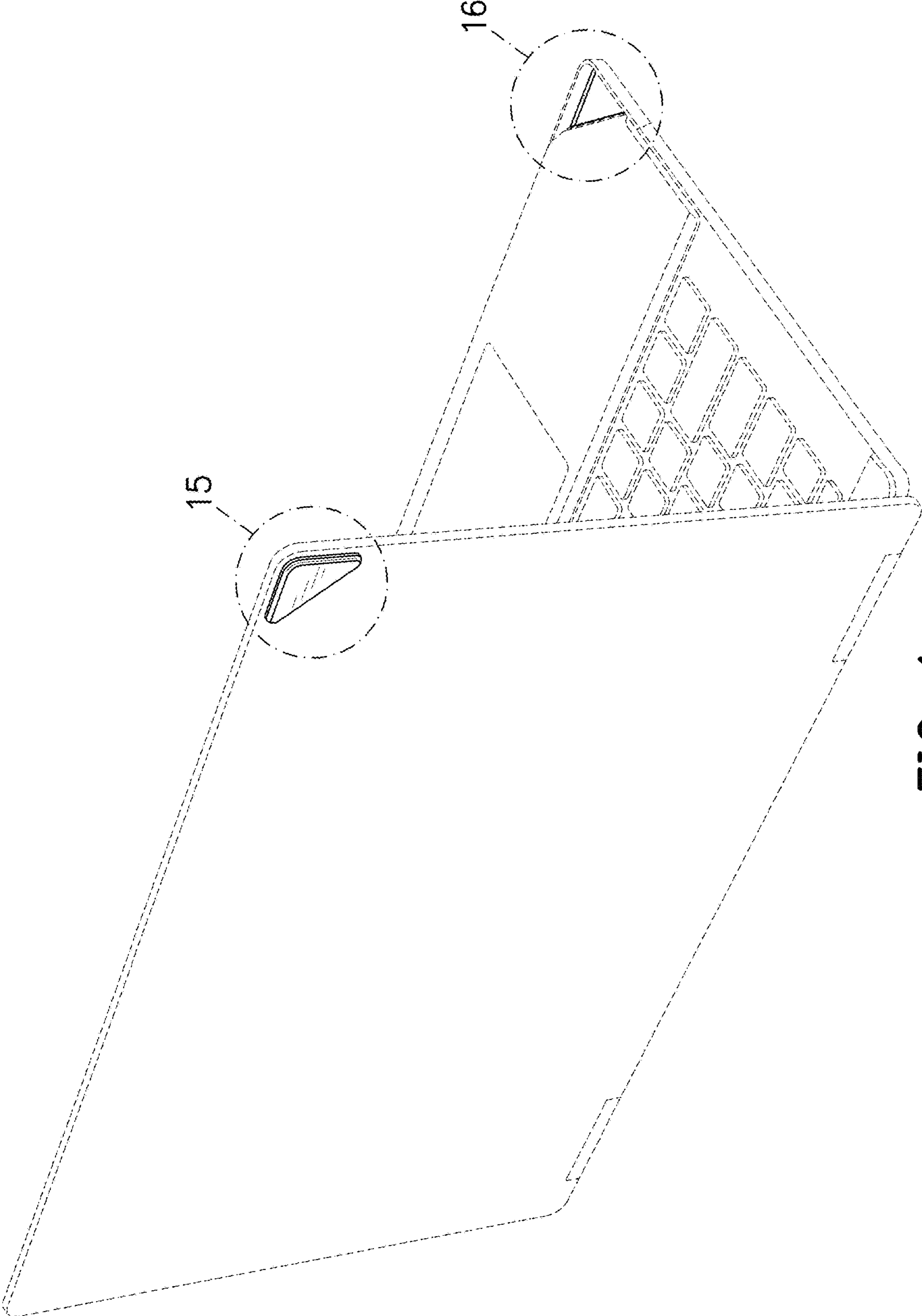


FIG. 1



FIG. 2

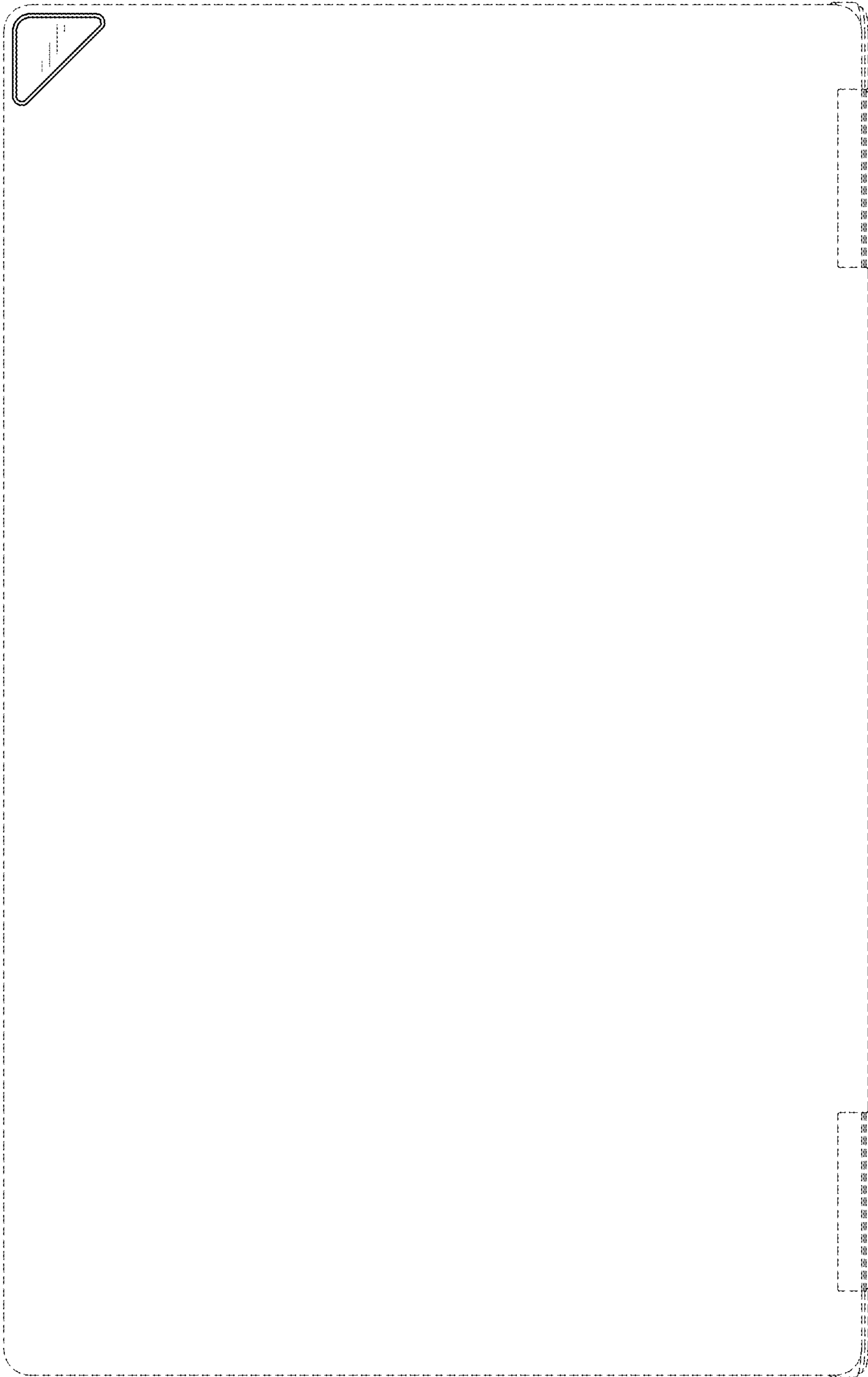


FIG. 3



FIG. 4

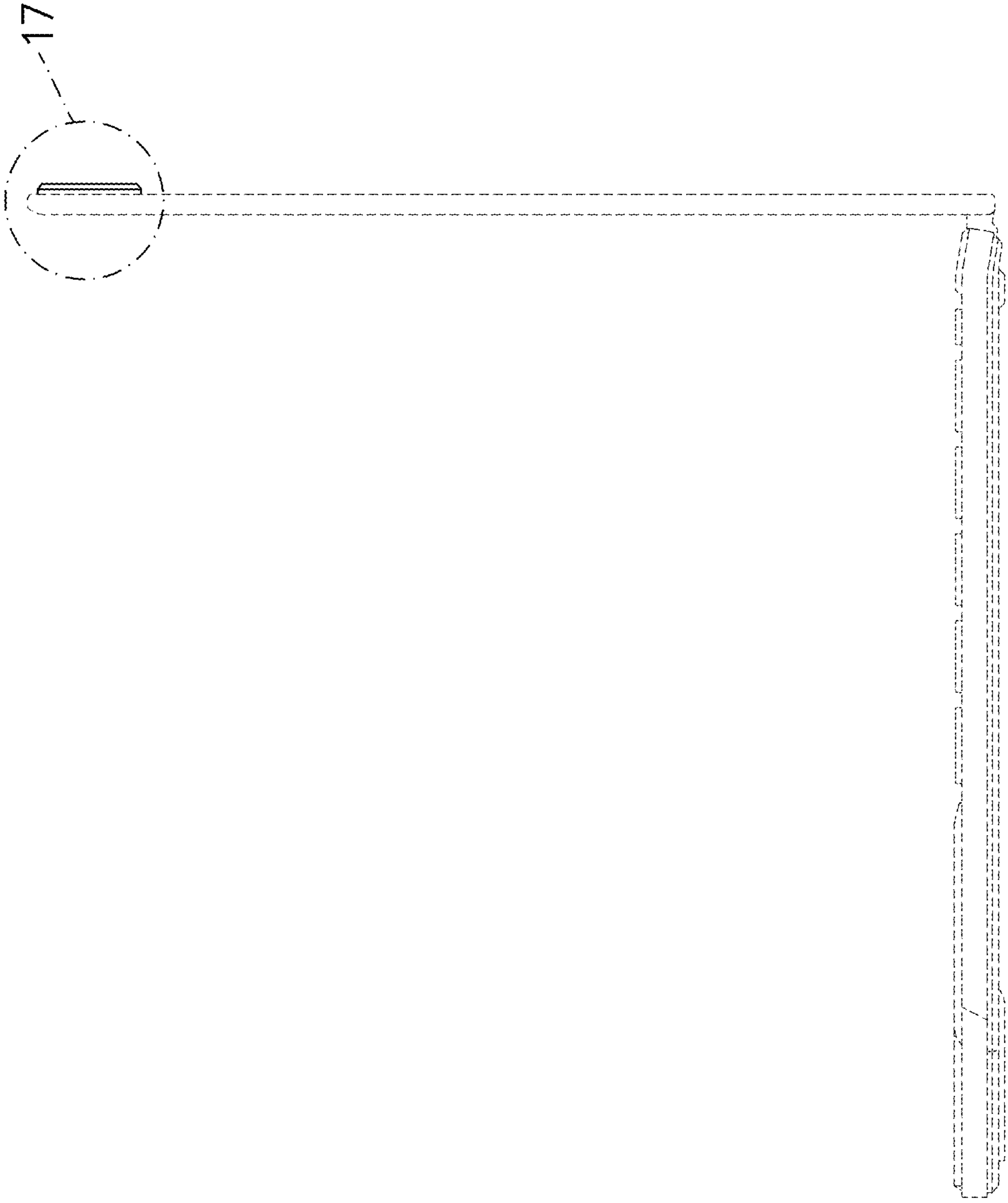


FIG. 5

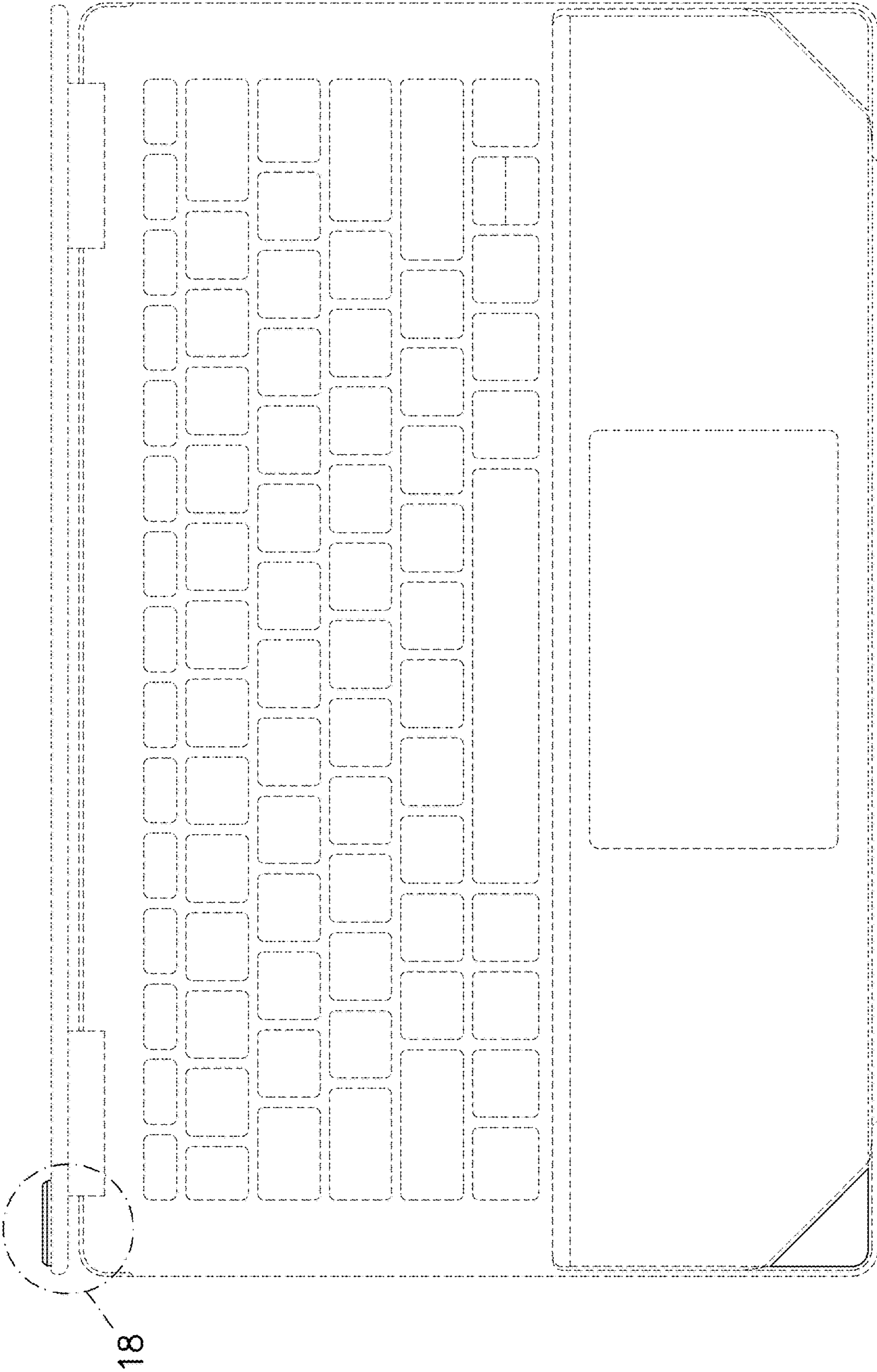


FIG. 6



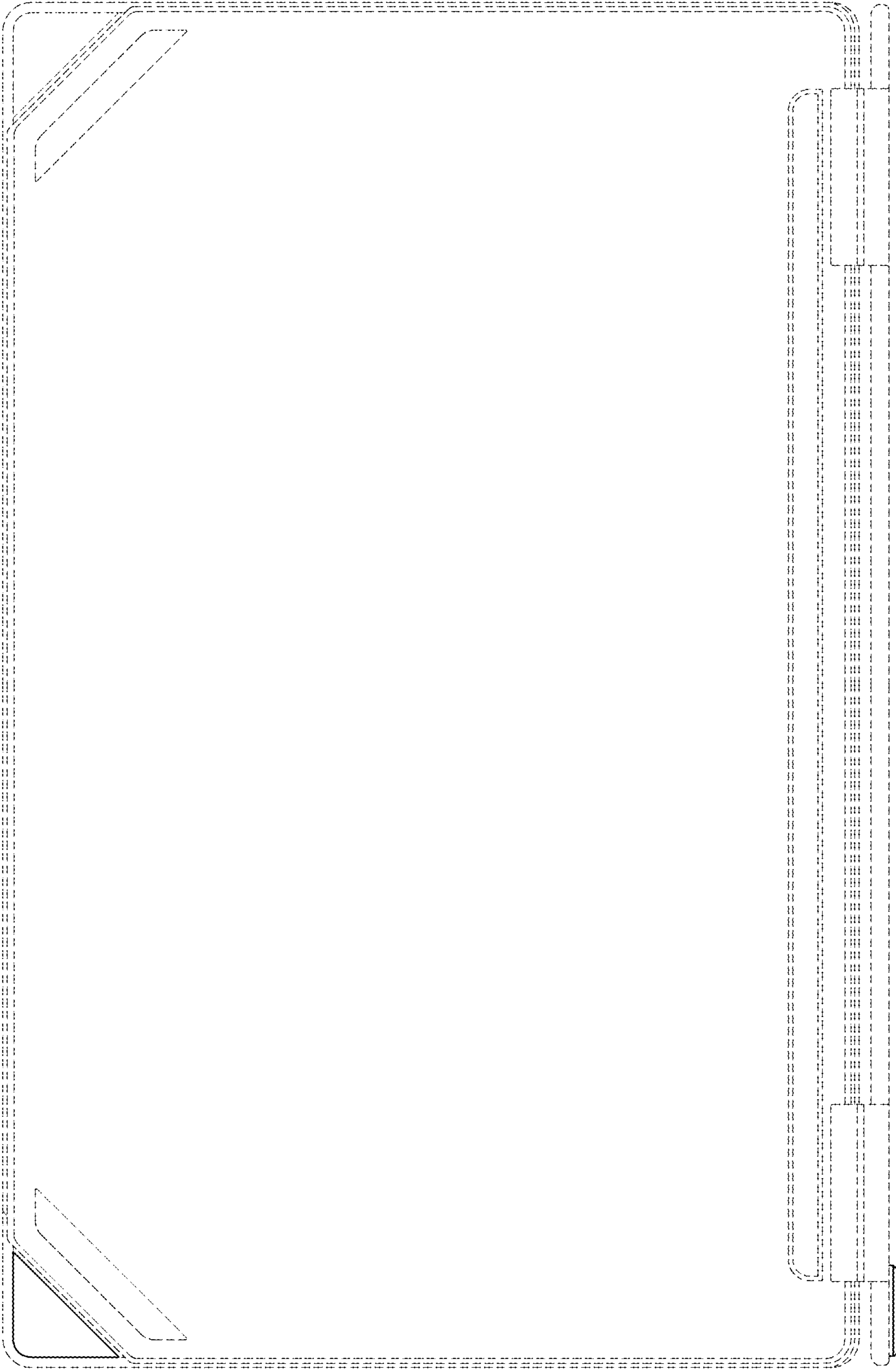


FIG. 7

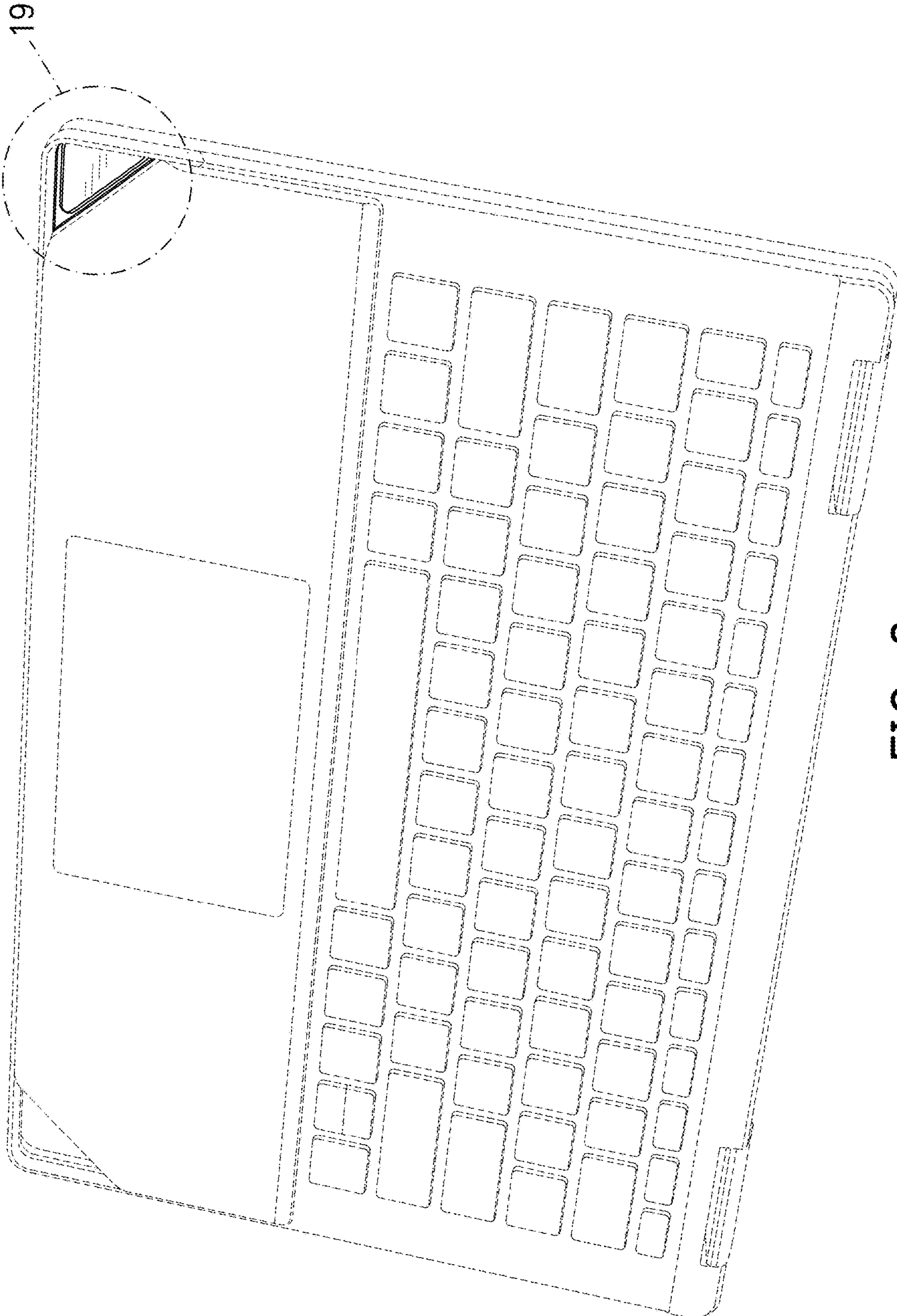


FIG. 8

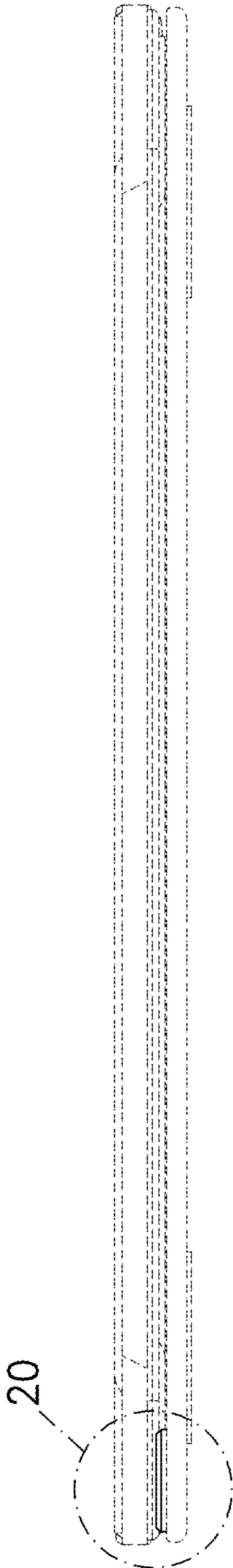


FIG. 9

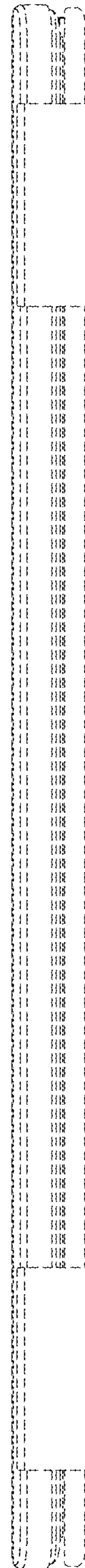


FIG. 10

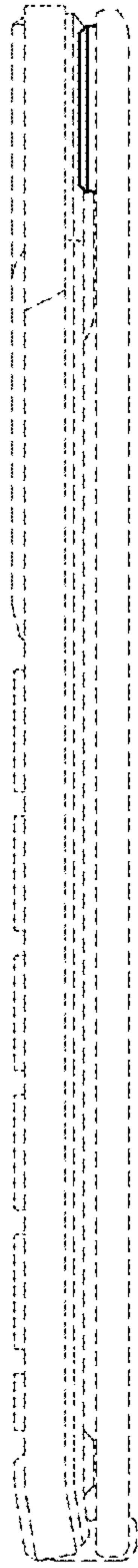


FIG. 11

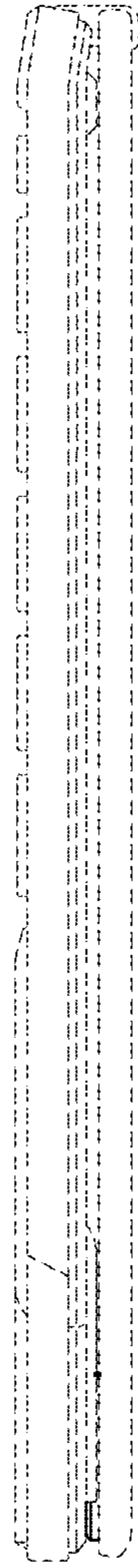


FIG. 12

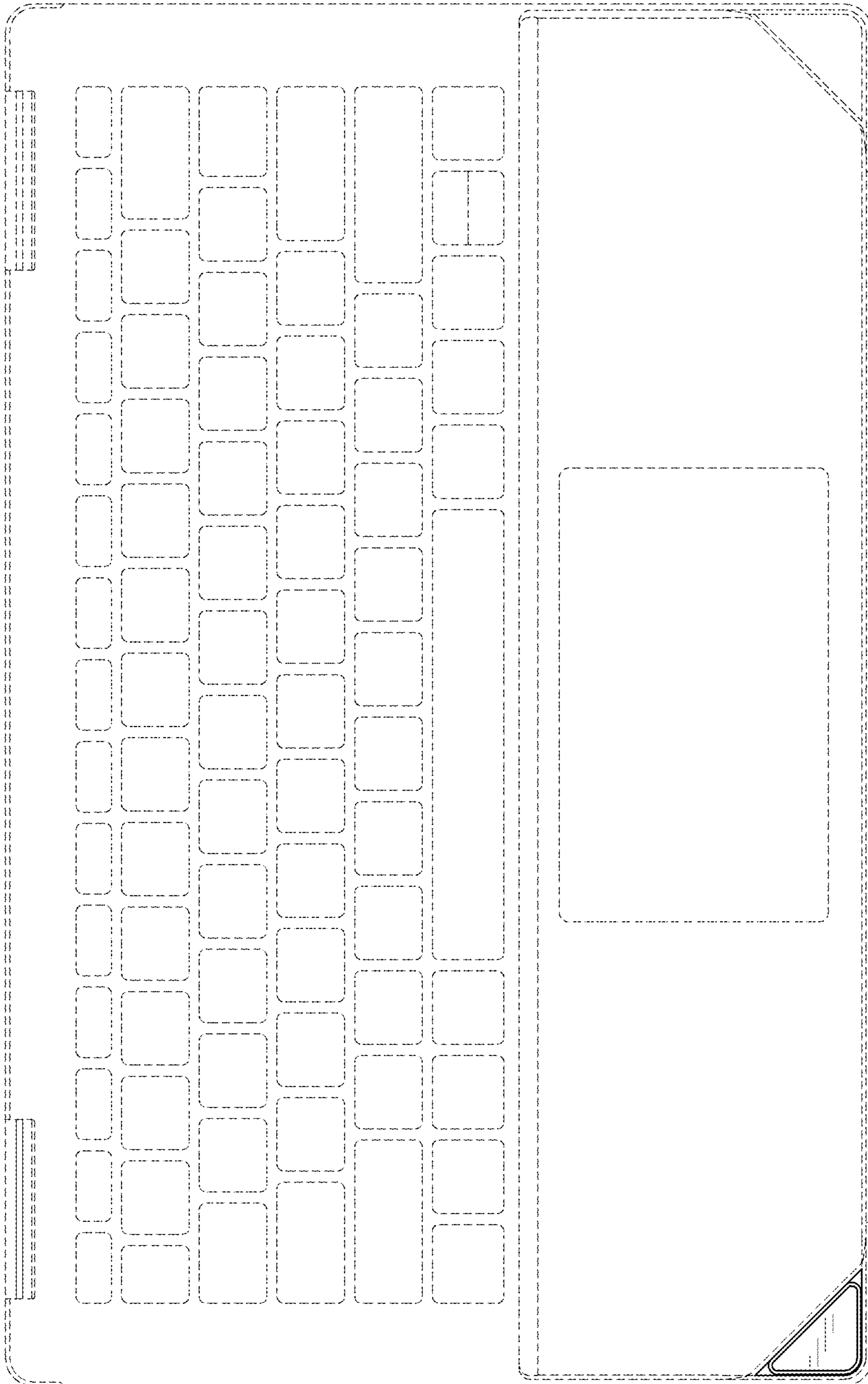


FIG. 13

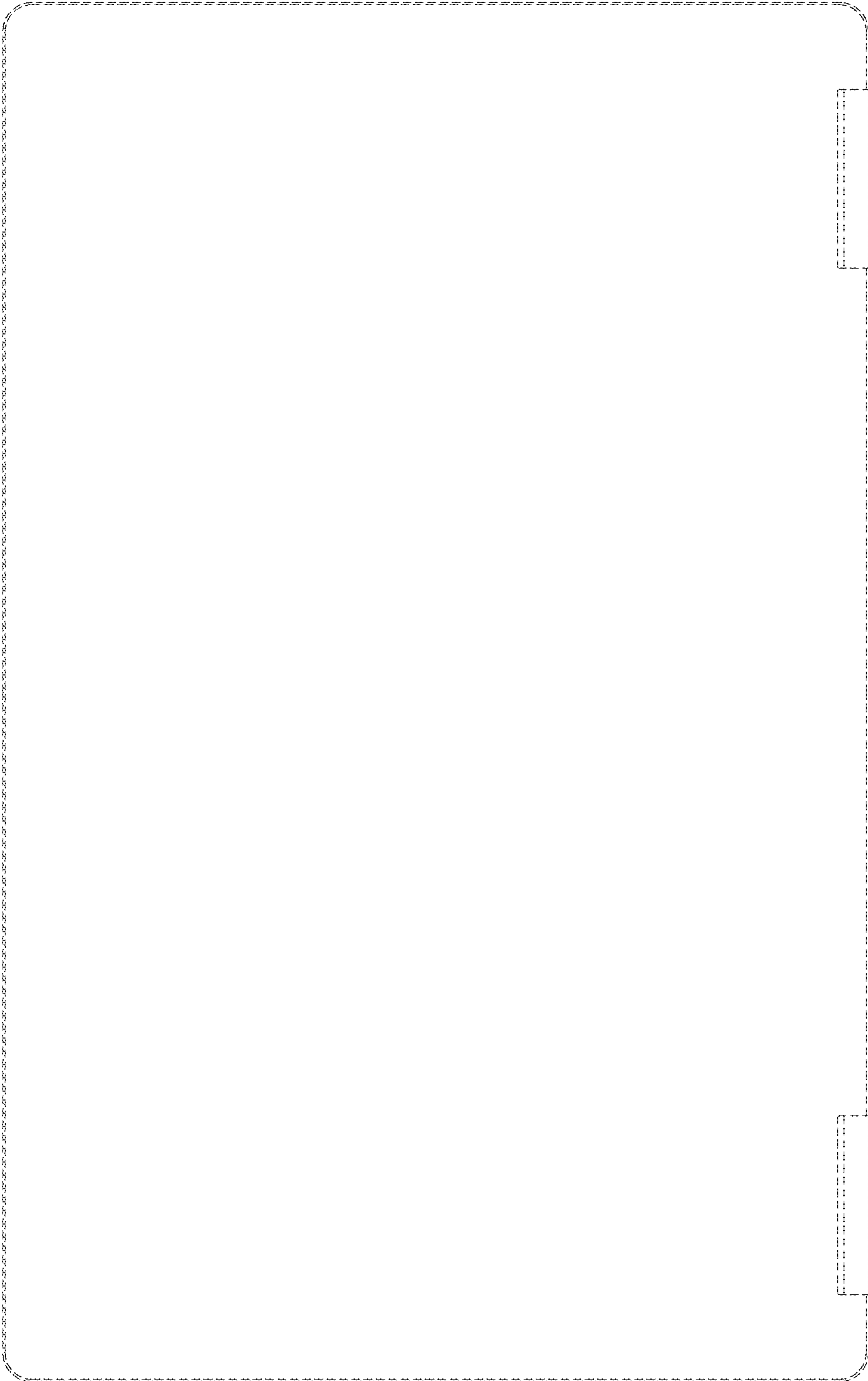


FIG. 14

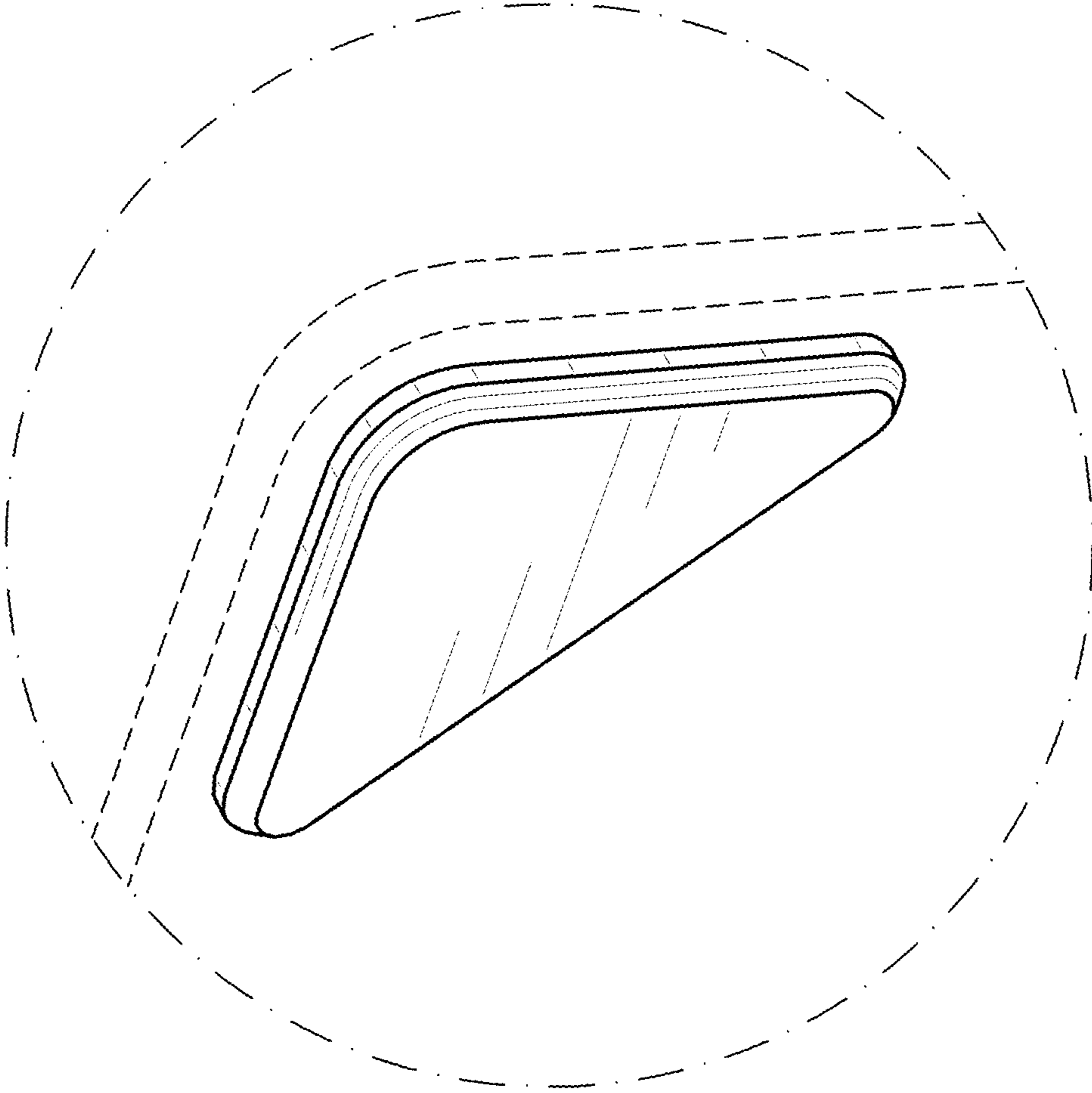


FIG. 15

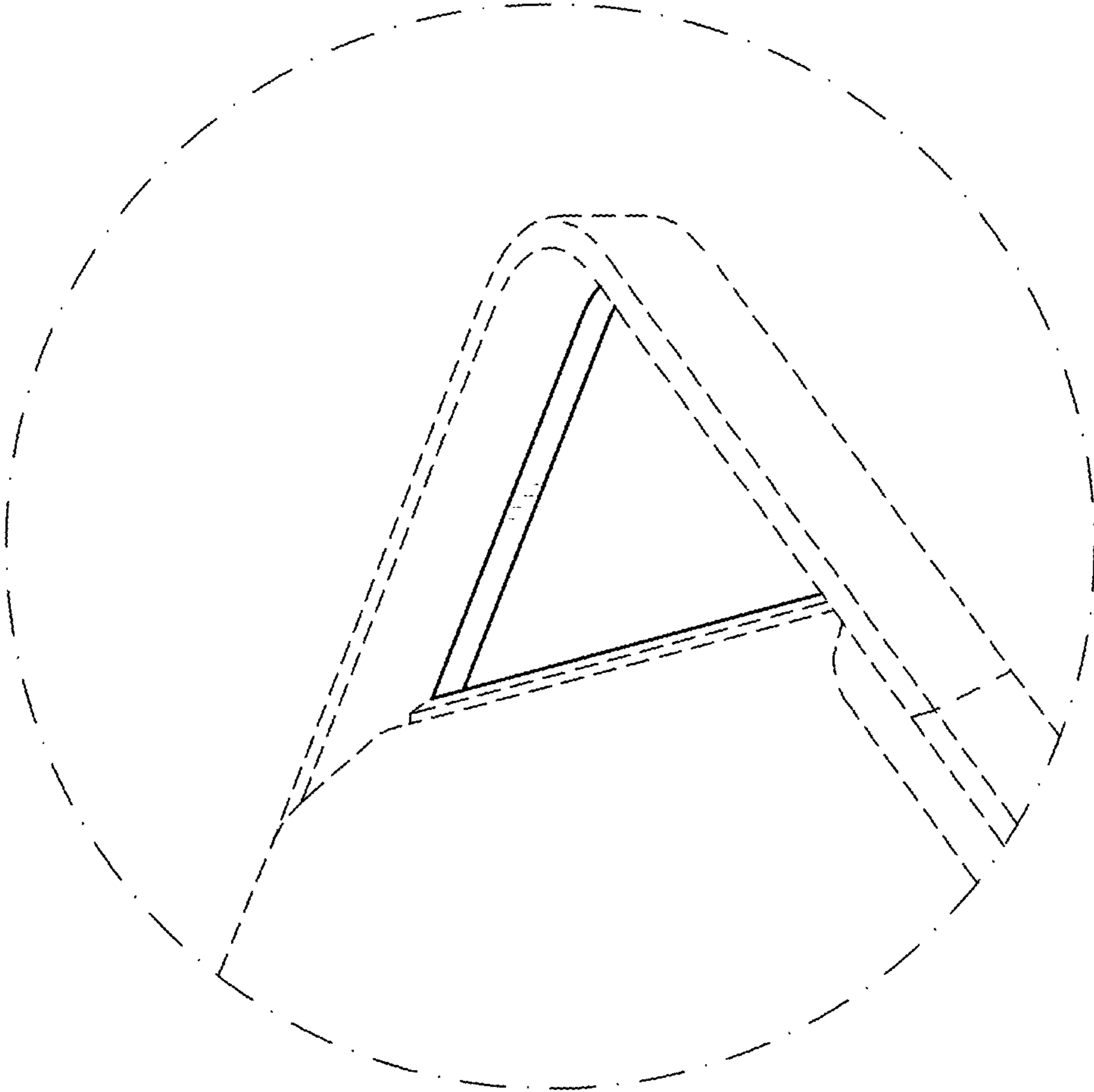


FIG. 16



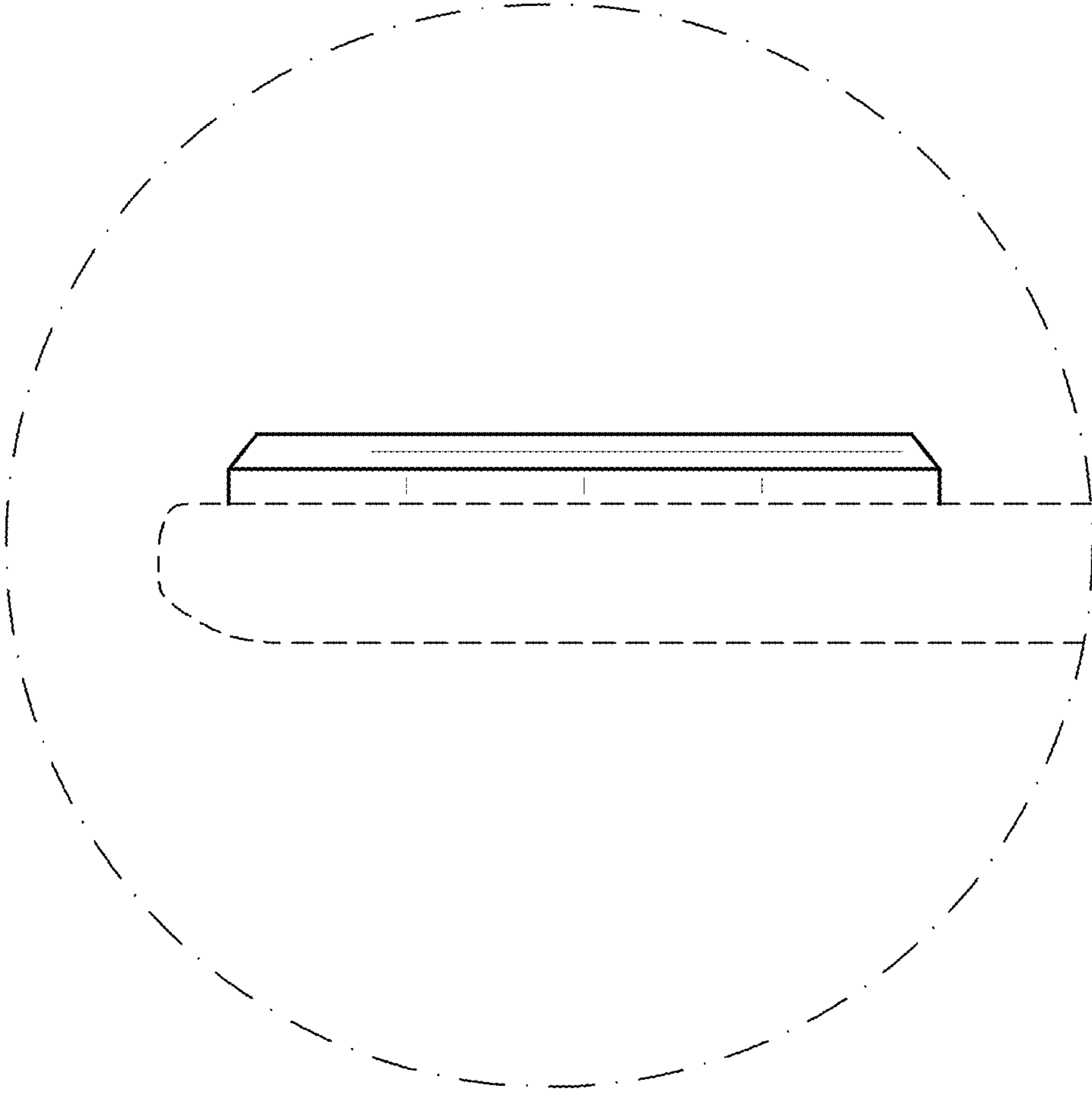


FIG. 17

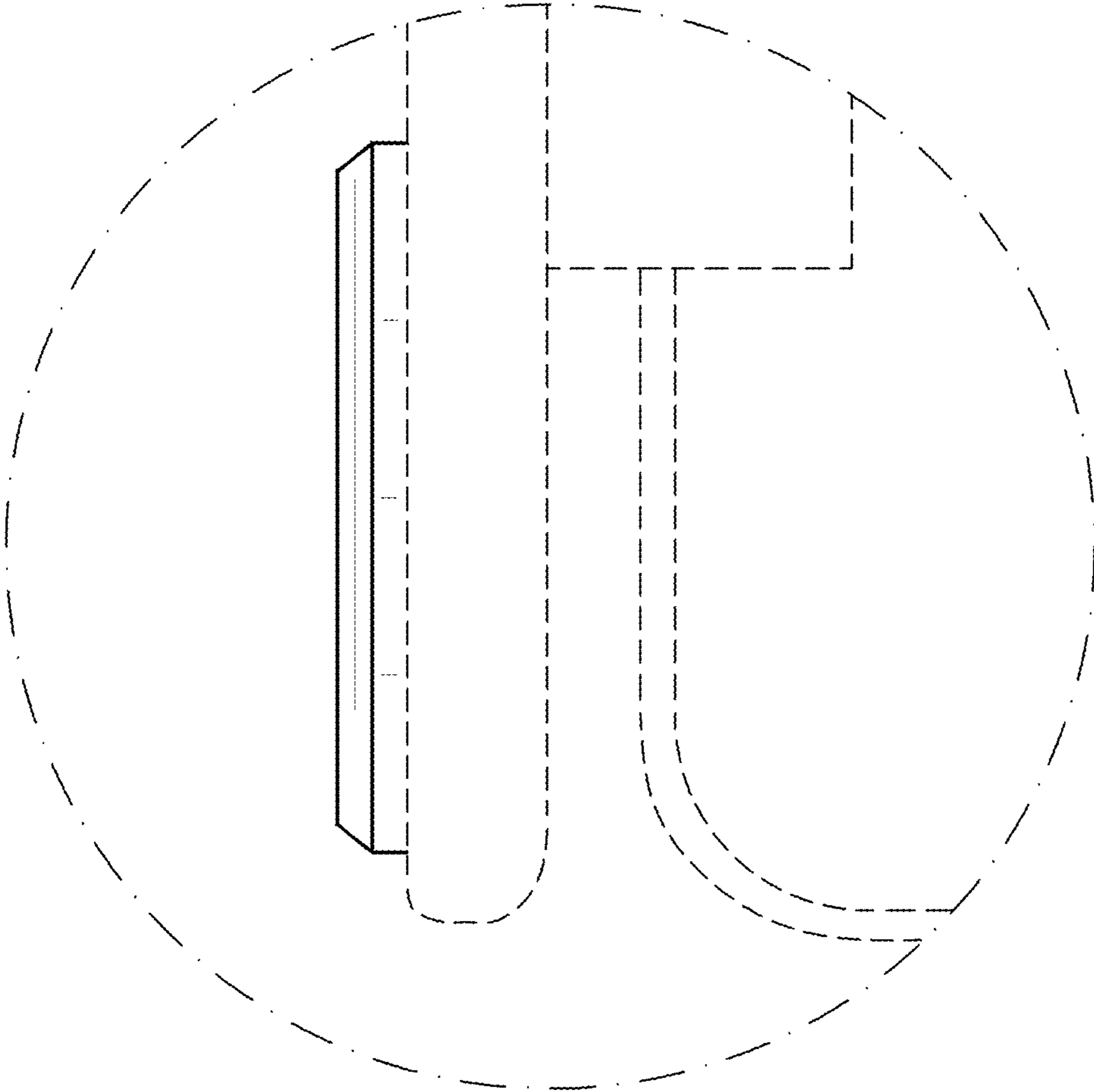


FIG. 18

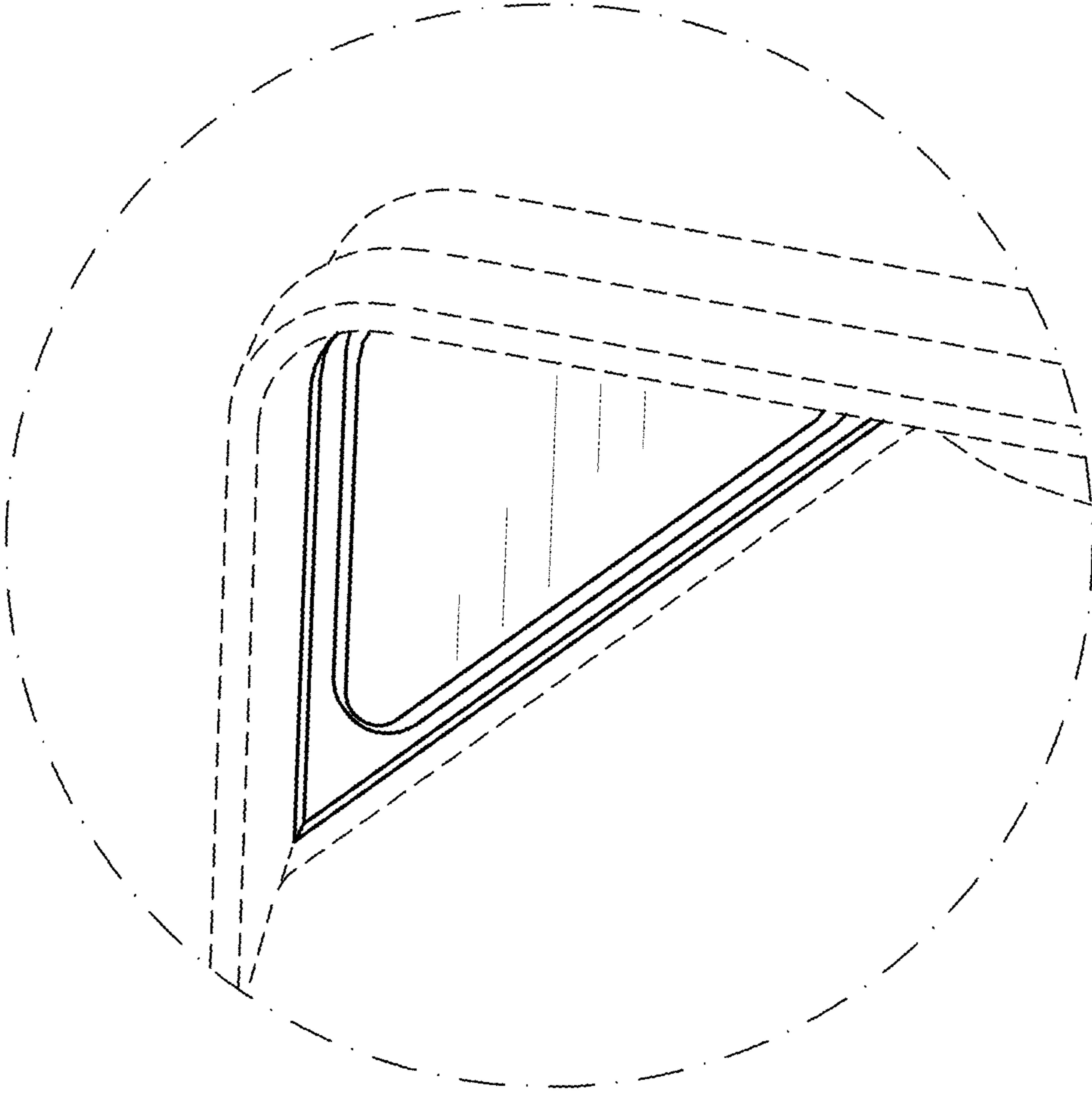


FIG. 19

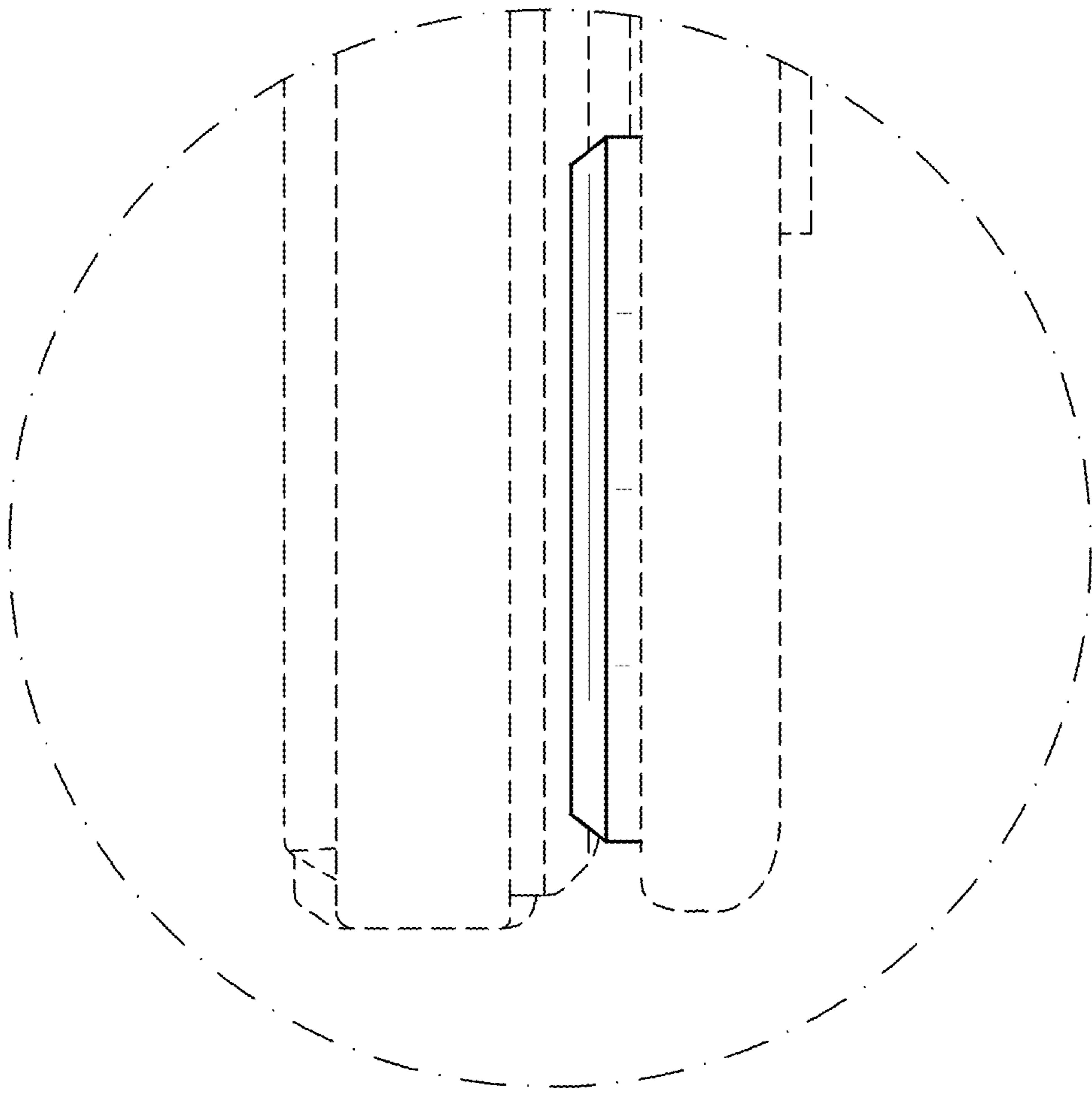


FIG. 20