

US00D924224S

(12) **United States Design Patent** (10) **Patent No.:** **US D924,224 S**
Park (45) **Date of Patent:** **** Jul. 6, 2021**

(54) **COMPUTER TERMINAL**
(71) Applicant: **Dataking, Inc.**, Anyang-si (KR)
(72) Inventor: **Sun Kyou Park**, Seoul (KR)
(73) Assignee: **Dataking, Inc.**, Anyang-si (KR)
(**) Term: **15 Years**

(21) Appl. No.: **35/509,224**
(22) Filed: **Apr. 8, 2019**

(80) **Hague Agreement Data**
Int. Filing Date: **Apr. 8, 2019**
Int. Reg. No.: **DM/207391**
Int. Reg. Date: **Apr. 8, 2019**
Int. Reg. Pub. Date: **May 1, 2020**
(51) **LOC (13) Cl.** **14-02**
(52) **U.S. Cl.**
USPC **D14/307**
(58) **Field of Classification Search**
USPC D6/300, 310; D14/300–302, 307, 371,
D14/372, 374, 900–902; D19/113;
D20/19, 41; D16/132, 133, 221, 222,
D16/225–227
CPC A47F 9/047
See application file for complete search history.

(56) **References Cited**
U.S. PATENT DOCUMENTS
D74,698 S * 3/1928 Rabkin D16/226
D88,224 S * 11/1932 Fitzpatrick D16/133
D111,708 S * 10/1938 Kurtz D16/225
D161,785 S * 1/1951 Pettingell D16/131
D550,663 S * 9/2007 Olea D14/302
D769,864 S * 10/2016 Hoffmann D14/307
D795,858 S * 8/2017 Lulita D14/307
D815,637 S * 4/2018 Li D14/372

D819,634 S * 6/2018 Pang D14/372
D834,019 S * 11/2018 Dallmeyer D14/372
D843,373 S * 3/2019 Zhao D14/372
D853,383 S * 7/2019 Dallmeyer D14/372
2020/0150441 A1* 5/2020 Park G02B 27/0176

OTHER PUBLICATIONS

Virtual reality: Timescope the time machine in the Bastille, publication date Mar. 29, 2016, [online][site visited Mar. 8, 2021] URL: <https://www.idboox.com/interviews/realite-virtuelle-timescope-la-machine-a-remonter-le-temps-a-la-bastille/> (Year: 2016).*
All in one VR 360 degree VR Scope by Dataking Inc, publication date Feb. 26, 2019, [online][site visited Mar. 8, 2021] URL: <https://www.facebook.com/dataking.inc/photos/a.868161816679094/1208285119333427/> (Year: 2019).*

* cited by examiner

Primary Examiner — L. A. Grabenstetter
(74) *Attorney, Agent, or Firm* — Revolution IP, PLLC

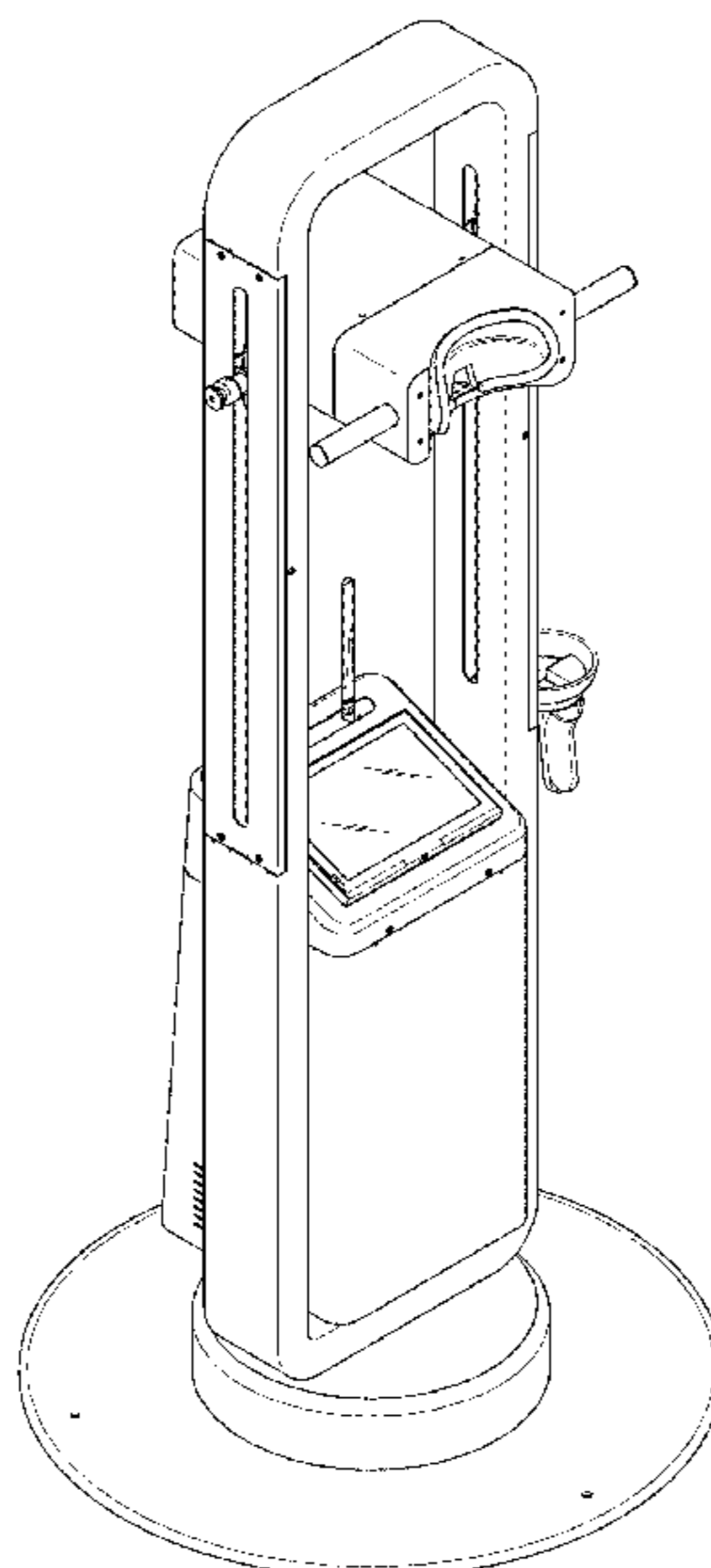
(57) **CLAIM**

The ornamental design for a computer terminal, as shown and described.

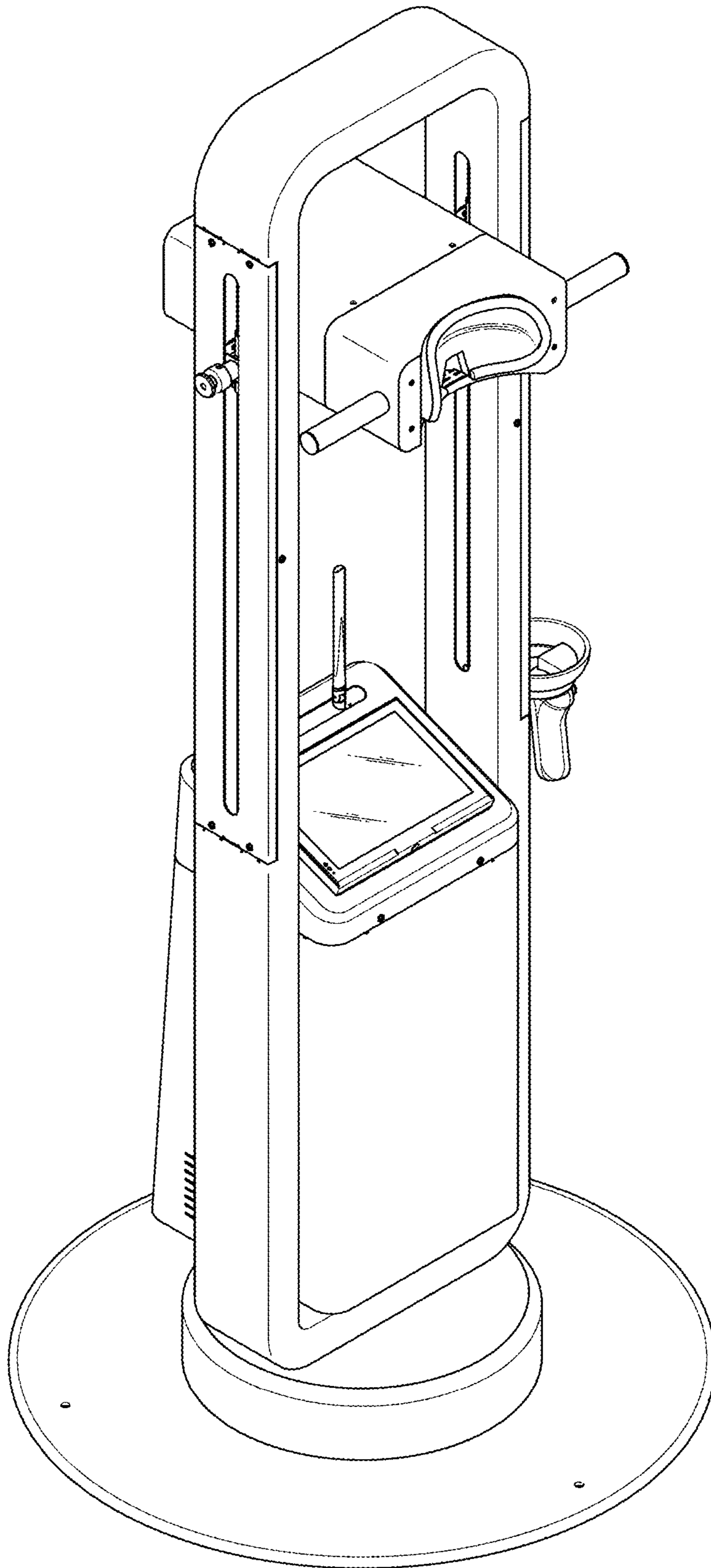
DESCRIPTION

1. Computer terminal
1.1 : Front Perspective
1.2 : Front
1.3 : Back
1.4 : Top
1.5 : Bottom
1.6 : Left
1.7 : Right
1.8 : Back Perspective
The broken lines, and regions surrounded on all sides by broken lines, depict portions of the computer terminal that form no part of the claimed design.

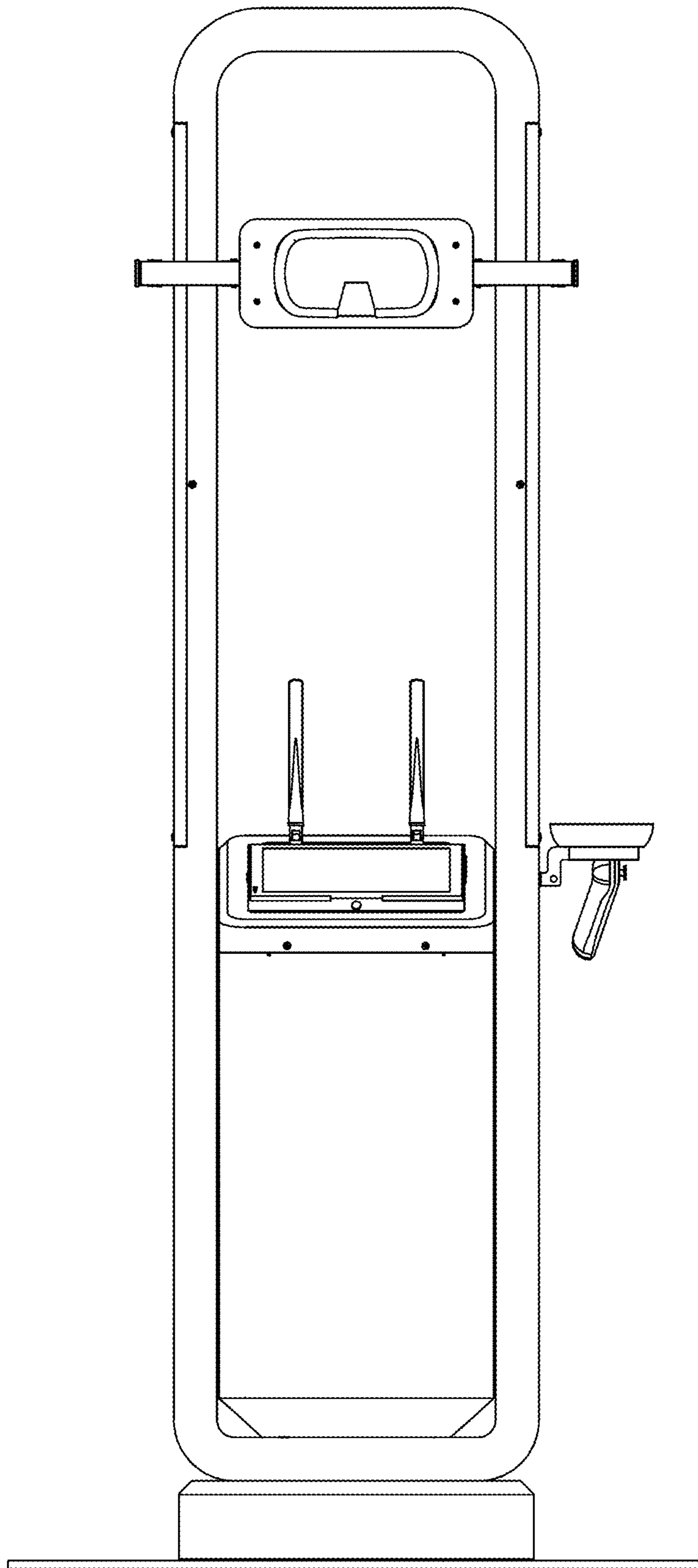
1 Claim, 8 Drawing Sheets



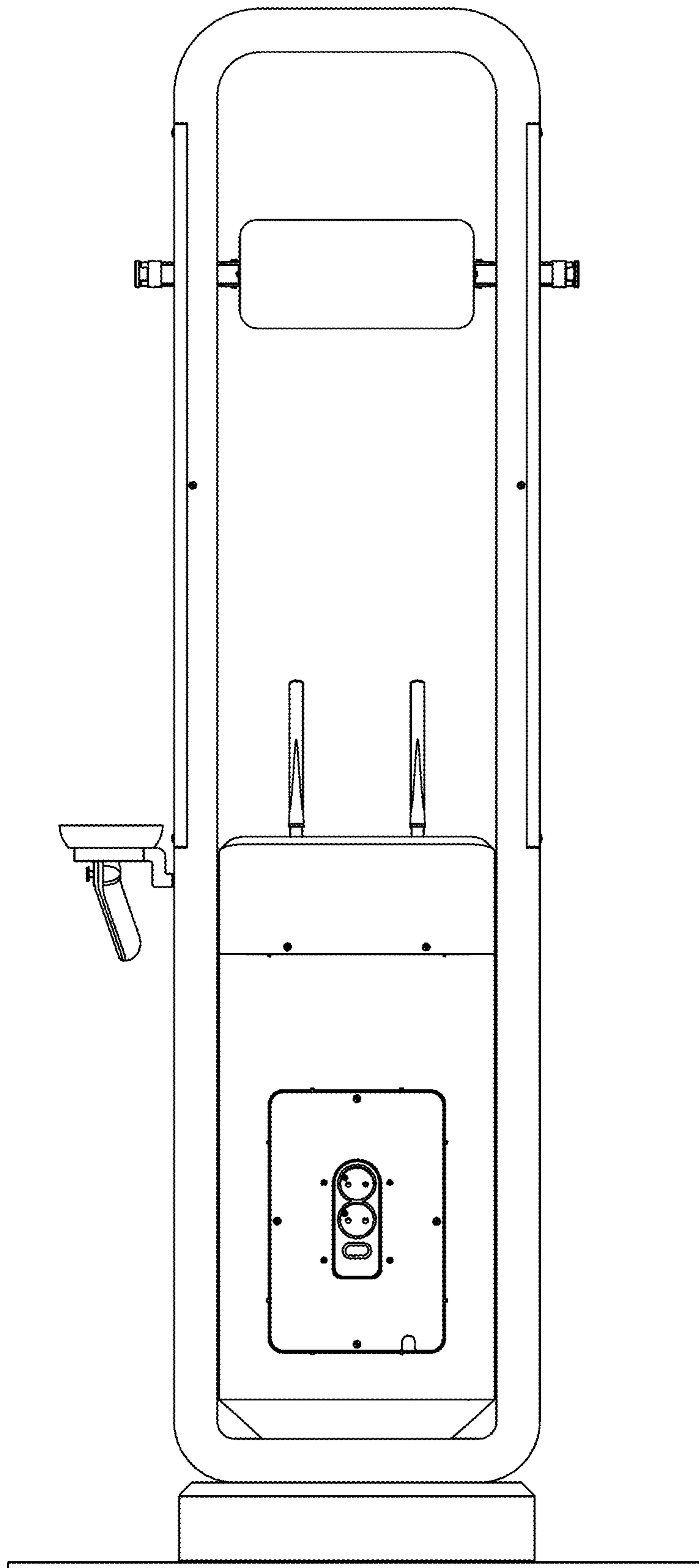
1.1



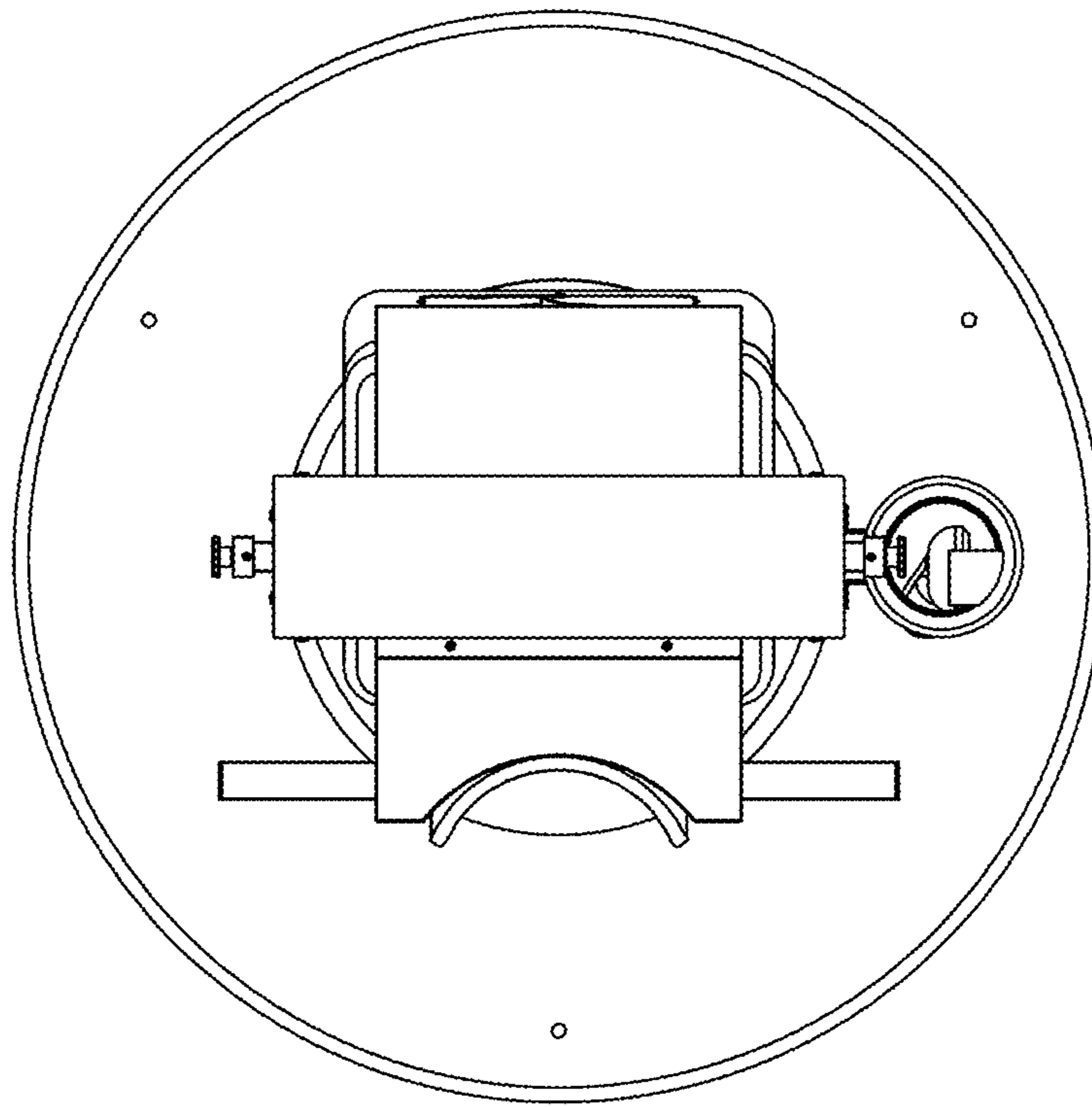
1.2



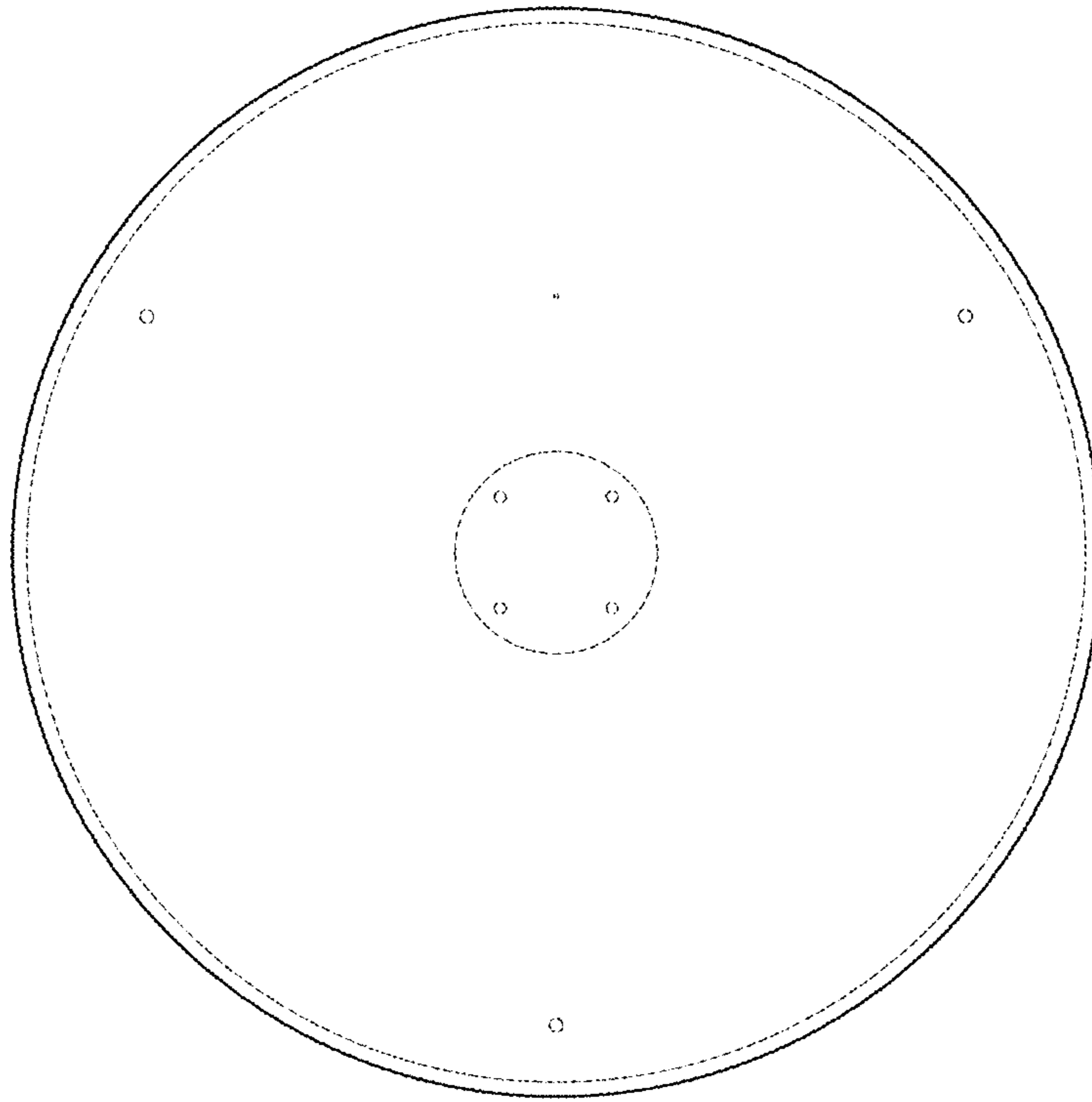
1.3



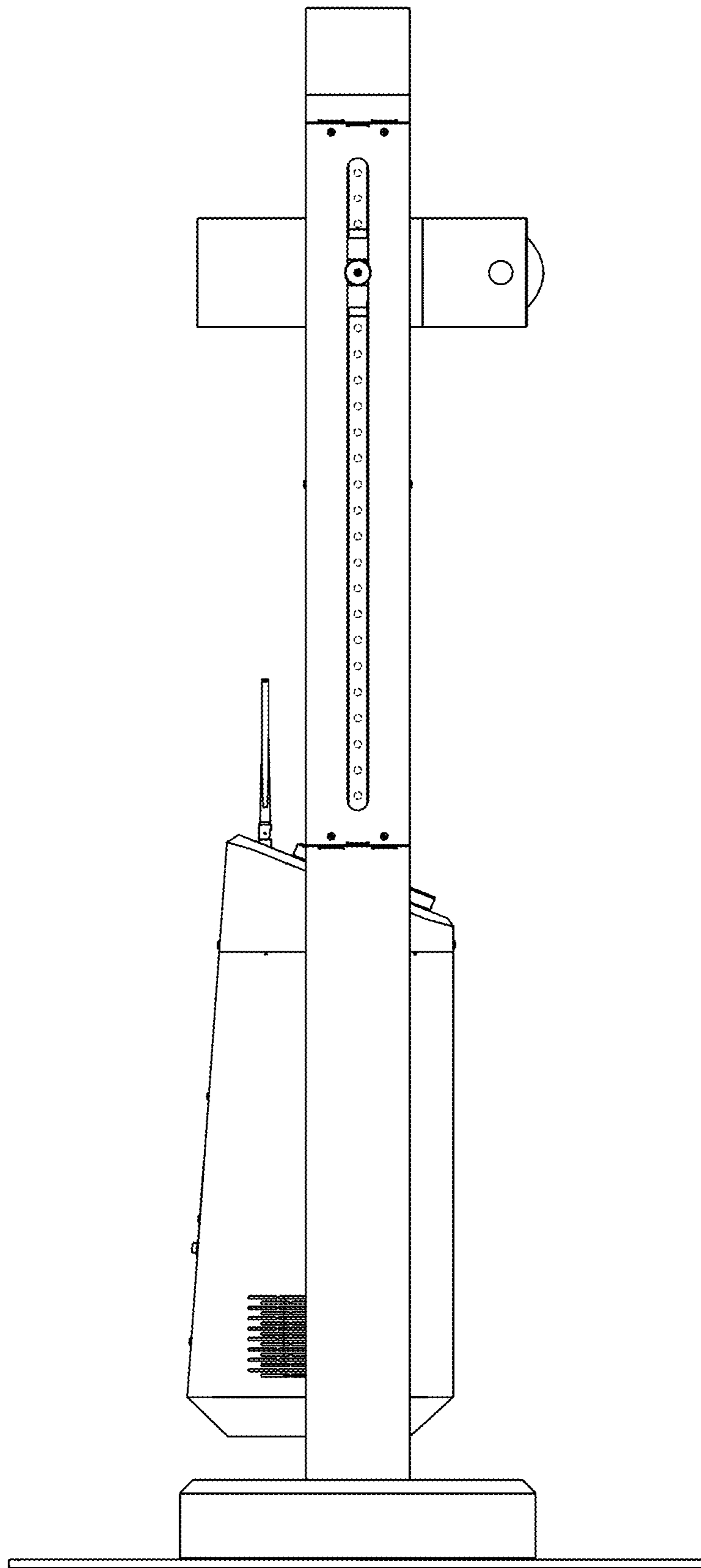
1.4



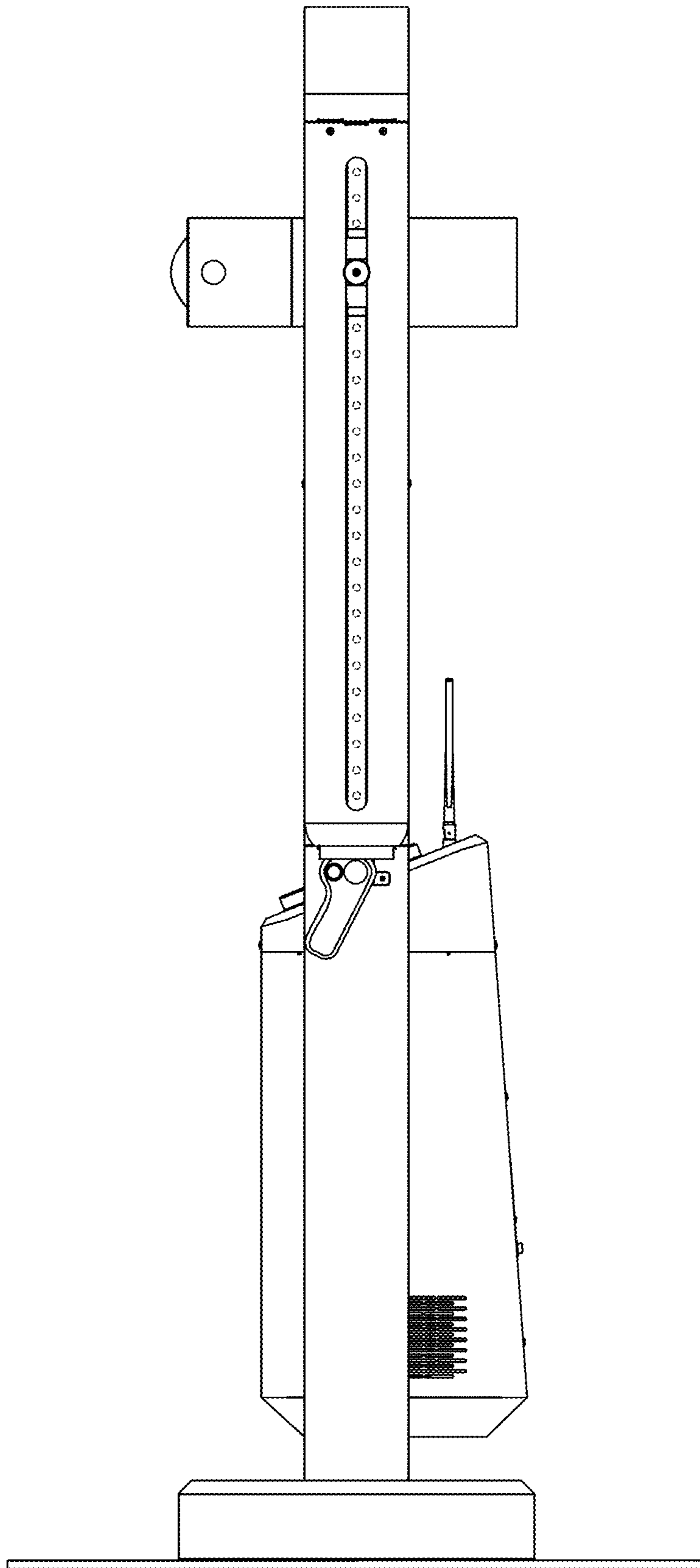
1.5



1.6



1.7



1.8

