



US00D924223S

(12) **United States Design Patent** (10) **Patent No.:** **US D924,223 S**
You et al. (45) **Date of Patent:** **** Jul. 6, 2021**

(54) **KIOSK**

(56) **References Cited**

(71) Applicant: **LG ELECTRONICS INC.**, Seoul (KR)

U.S. PATENT DOCUMENTS

(72) Inventors: **Hyunhee You**, Seoul (KR); **Yongho Lee**, Seoul (KR); **Jaewon Lim**, Seoul (KR); **Yoonkyeong Lee**, Seoul (KR)

D397,130	S	*	8/1998	Tudico	D16/215
D453,082	S	*	1/2002	Kobe	D6/641
7,596,896	B2	*	10/2009	Crowell	G09F 1/06 40/124.07
D678,697	S	*	3/2013	Hill	D6/661.3
D693,817	S	*	11/2013	Lim	D14/439
D711,385	S	*	8/2014	Lim	D14/439
D711,386	S	*	8/2014	Lim	D14/439
D740,275	S	*	10/2015	Lim	D14/308
D740,277	S	*	10/2015	Lim	D14/308
D740,800	S	*	10/2015	Lim	D14/308
D760,231	S	*	6/2016	Lim	D14/439
D853,378	S	*	7/2019	Vaananen	D14/307

(73) Assignee: **LG ELECTRONICS INC.**, Seoul (KR)

(**) Term: **15 Years**

* cited by examiner

(21) Appl. No.: **29/729,119**

Primary Examiner — Austin Murphy

(22) Filed: **Mar. 24, 2020**

(74) *Attorney, Agent, or Firm* — Birch, Stewart, Kolasch & Birch, LLP

(30) **Foreign Application Priority Data**

Sep. 26, 2019 (KR) 30-2019-0046244

(51) **LOC (13) Cl.** **14-02**

(57) **CLAIM**

The ornamental design for a kiosk, as shown and described.

(52) **U.S. Cl.**

USPC **D14/307**

DESCRIPTION

(58) **Field of Classification Search**

USPC D14/302–307, 900–902; D13/163;
D20/10; D21/332, 325, 369, 370;
D99/28; D6/397, 466; 194/206;
361/679.01, 679.02, 679.04, 679.21,
361/679.57, 725
CPC G06Q 20/18; G06Q 20/10; G06Q 20/123;
G06Q 20/20; G06Q 30/02; G06Q 30/06;
A47F 9/047

FIG. 1 is a front, right side, perspective view of a kiosk showing our new design;
FIG. 2 is a front view thereof;
FIG. 3 is a rear view thereof;
FIG. 4 is a left side view thereof;
FIG. 5 is a right side view thereof;
FIG. 6 is a top view thereof; and,
FIG. 7 is a bottom view.

See application file for complete search history.

1 Claim, 6 Drawing Sheets

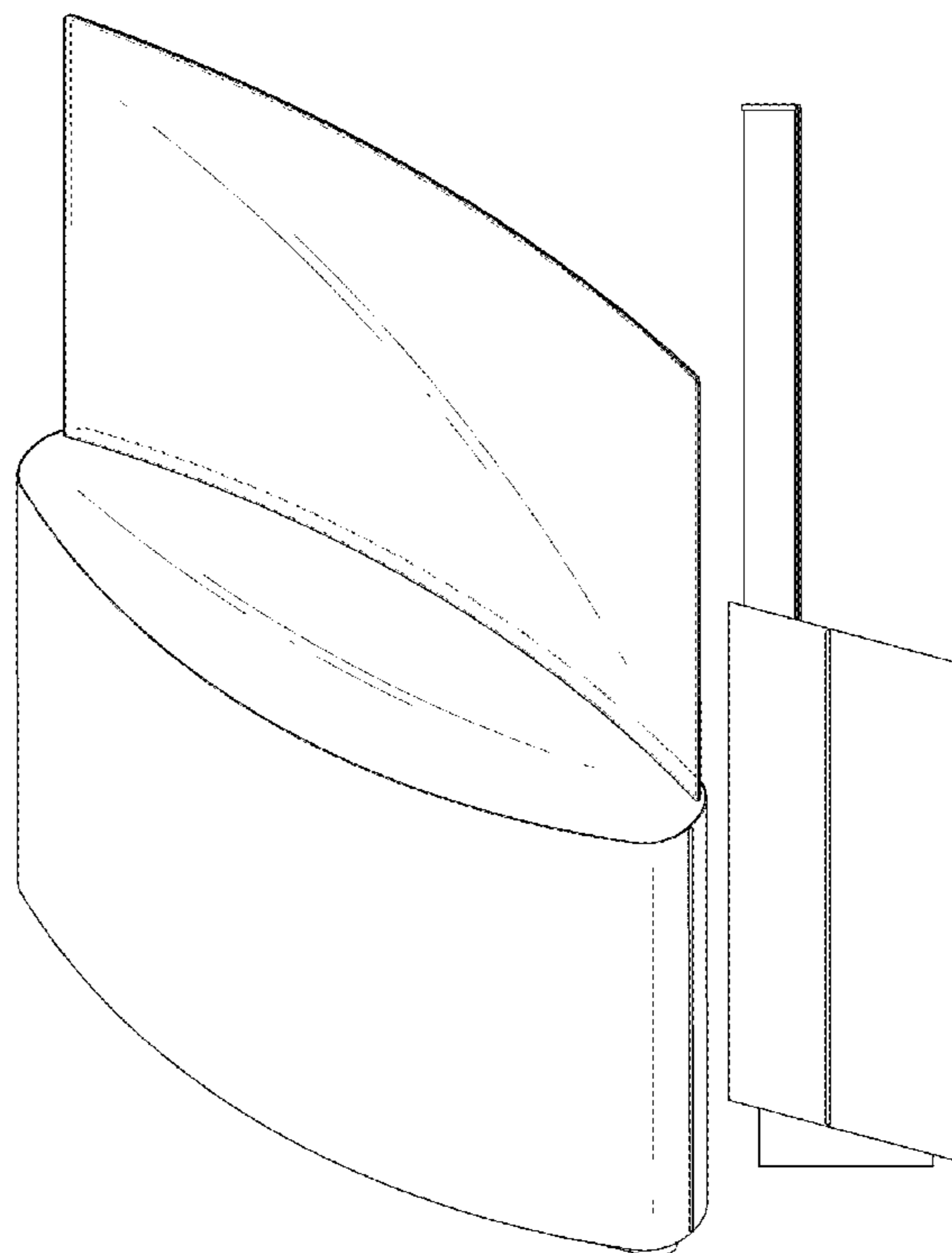


FIG. 1

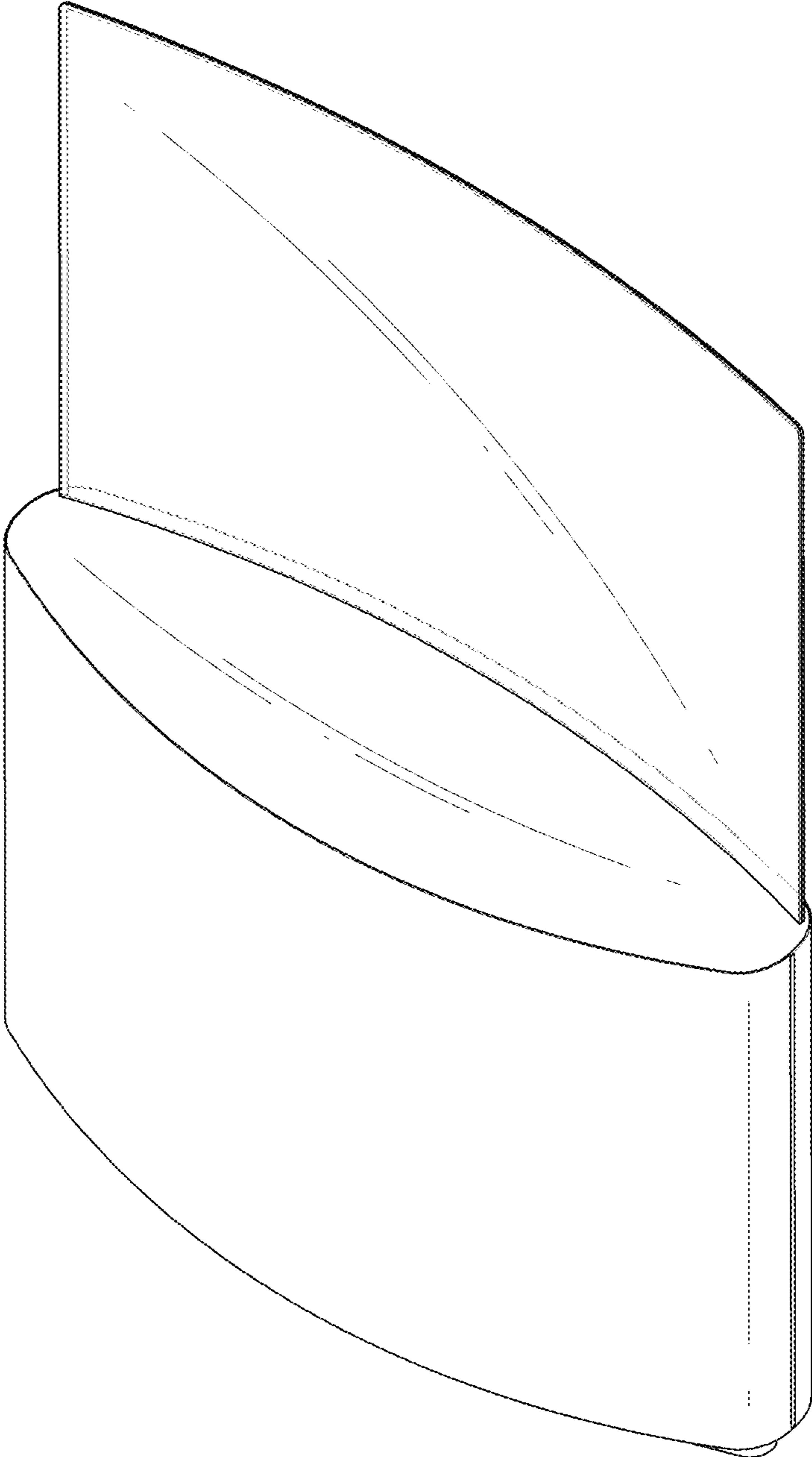


FIG. 2

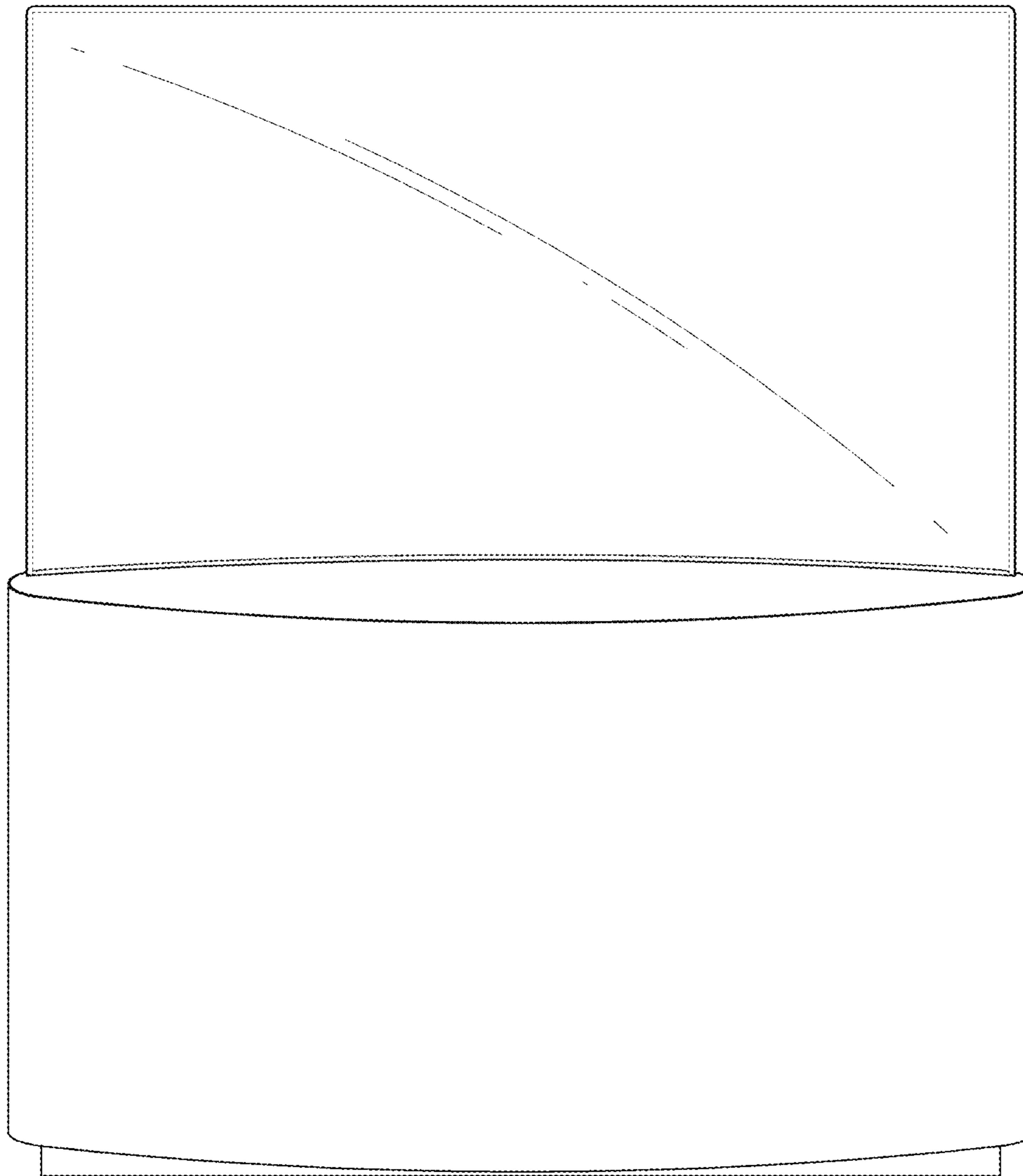


FIG. 3

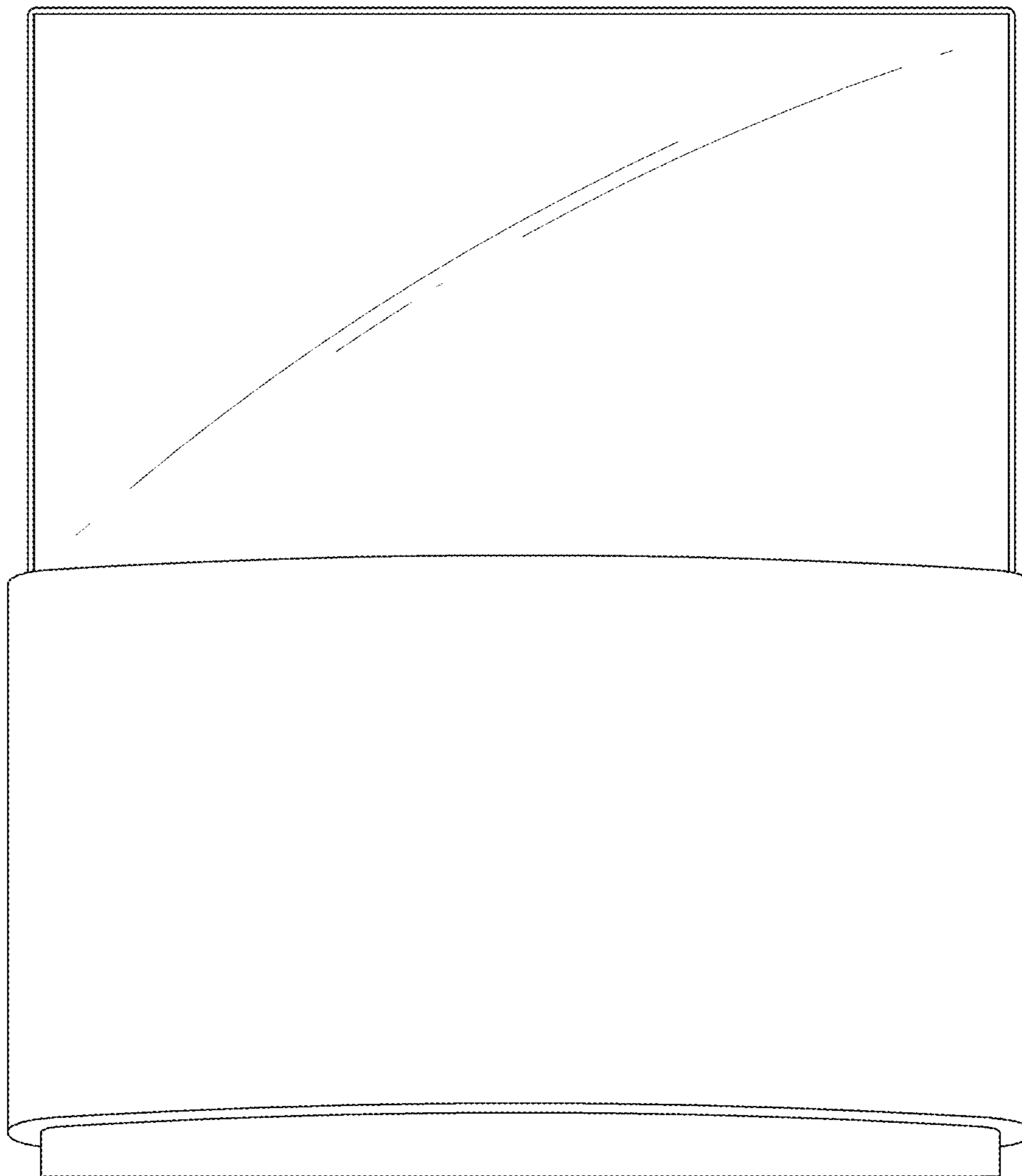


FIG. 4

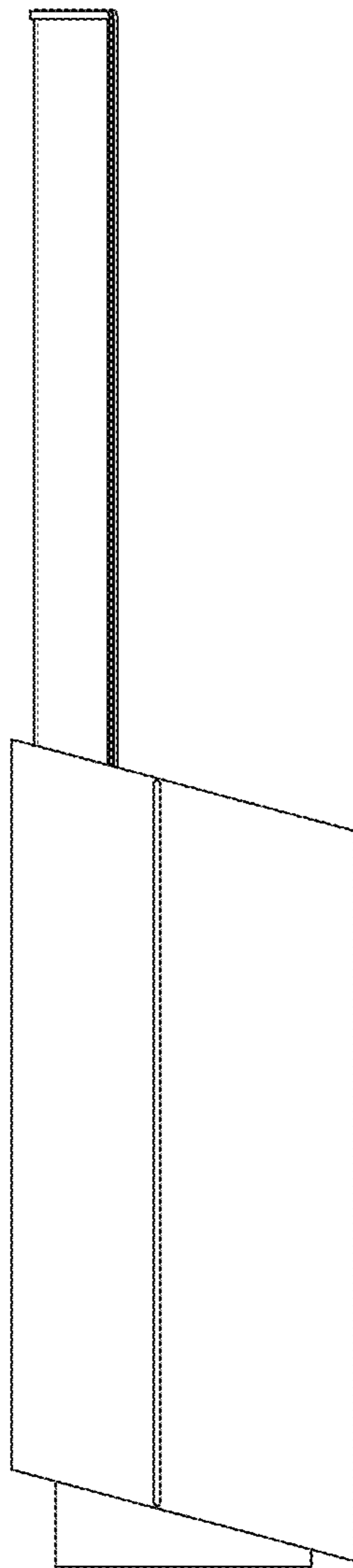


FIG. 5

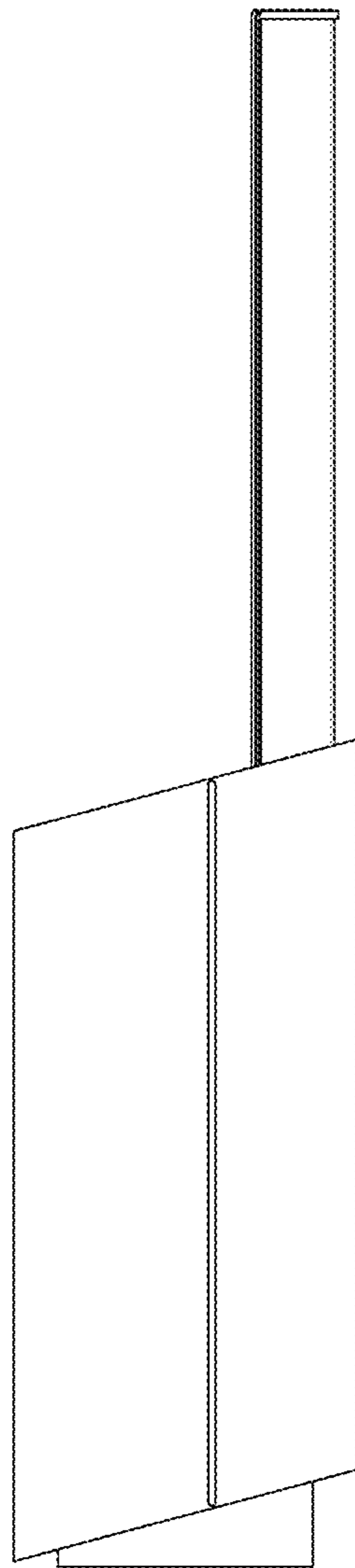


FIG. 6

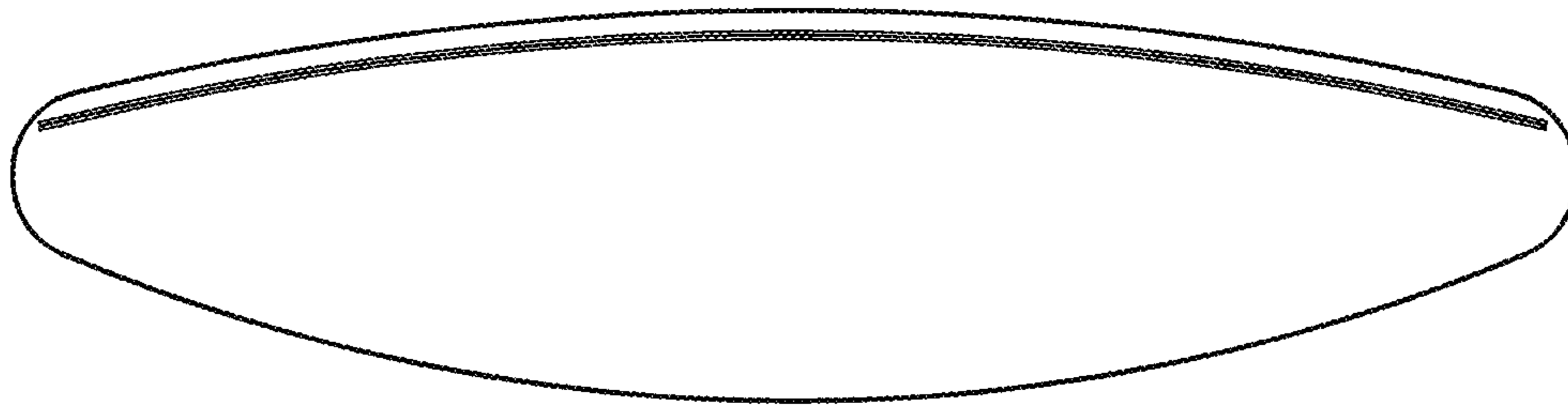


FIG. 7

