



US00D924221S

(12) **United States Design Patent**
Hong

(10) **Patent No.:** **US D924,221 S**
(45) **Date of Patent:** **** Jul. 6, 2021**

- (54) **PHONE STAND WITH BLUETOOTH® SPEAKER**
- (71) Applicant: **SHENZHEN JINGE YAMEI TECHNOLOGY CO., LTD.**, Shenzhen (CN)
- (72) Inventor: **Yiyi Hong**, Nan'An (CN)
- (73) Assignee: **SHENZHEN JINGE YAMEI TECHNOLOGY CO., LTD.**, Shenzhen (CN)
- (**) Term: **15 Years**
- (21) Appl. No.: **29/767,377**
- (22) Filed: **Jan. 22, 2021**
- (51) **LOC (13) Cl.** **14-03**
- (52) **U.S. Cl.**
USPC **D14/252; D14/216**
- (58) **Field of Classification Search**
USPC ... **D14/251-253, 447, 440, 204, 209.1, 216; D3/218**

(Continued)

(56) **References Cited**

U.S. PATENT DOCUMENTS

- D596,159 S * 7/2009 Yamaji D14/209.1
- D617,311 S * 6/2010 Ludlum D14/209.1

(Continued)

Primary Examiner — Janice Hallmark

(57) **CLAIM**

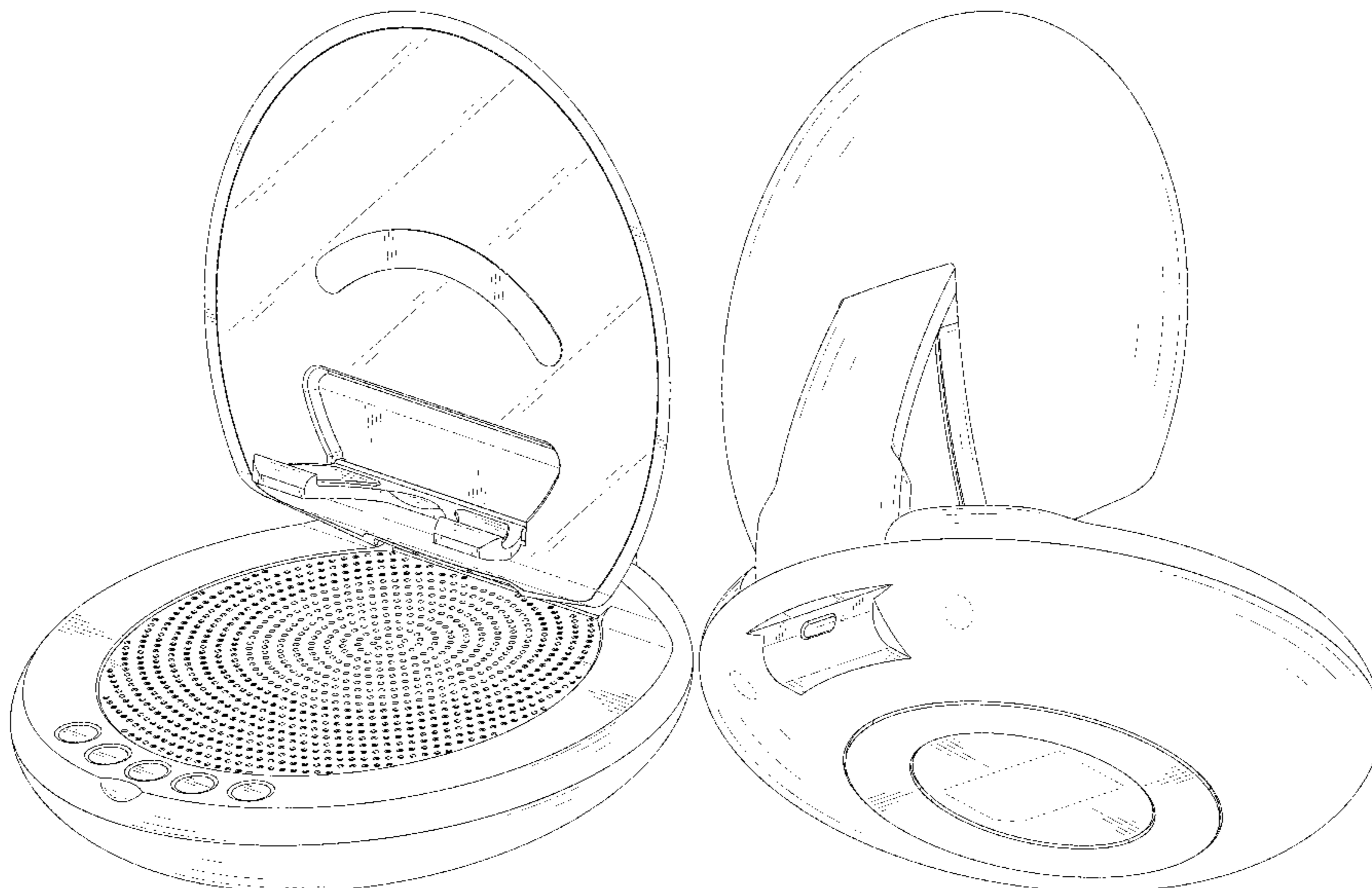
The ornamental design for a phone stand with bluetooth® speaker, as shown and described.

DESCRIPTION

FIG. 1 is a perspective view of a first embodiment of a phone stand with bluetooth® speaker showing my new design;

FIG. 2 is another perspective view thereof;
 FIG. 3 is another perspective view thereof;
 FIG. 4 is a front elevational view thereof;
 FIG. 5 is a rear elevational view thereof;
 FIG. 6 is a left side elevational view thereof;
 FIG. 7 is a right side elevational view thereof;
 FIG. 8 is a top plan view thereof;
 FIG. 9 is a bottom plan view thereof.
 FIG. 10 is a perspective view of the phone stand with bluetooth® speaker where the phone stand with bluetooth® speaker is in a configuration of use;
 FIG. 11 is a perspective view of the phone stand with bluetooth® speaker where the phone stand with bluetooth® speaker is in a folded state;
 FIG. 12 is another perspective view thereof;
 FIG. 13 is an enlarged view of portion 13 shown in FIG. 3;
 FIG. 14 is a perspective view of a second embodiment of the phone stand with bluetooth® speaker showing my new design;
 FIG. 15 is another perspective view thereof;
 FIG. 16 is another perspective view thereof;
 FIG. 17 is a front elevational view thereof;
 FIG. 18 is a rear elevational view thereof;
 FIG. 19 is a left side elevational view thereof;
 FIG. 20 is a right side elevational view thereof;
 FIG. 21 is a top plan view thereof;
 FIG. 22 is a bottom plan view thereof;
 FIG. 23 is a perspective view of the phone stand with bluetooth® speaker where the phone stand with bluetooth® speaker is in a configuration of use;
 FIG. 24 is a perspective view of a second embodiment of the phone stand with bluetooth® speaker showing my new design;
 FIG. 25 is another perspective view thereof; and,
 FIG. 26 is an enlarged view of portion 26 shown in FIG. 16.
 The broken lines in the drawings depict portions of the phone stand with bluetooth® speaker that form no part of the claimed design.

1 Claim, 26 Drawing Sheets



(58) **Field of Classification Search**

CPC H04R 1/02; H04R 1/023; A45F 2200/0516

See application file for complete search history.

(56) **References Cited**

U.S. PATENT DOCUMENTS

D636,760 S *	4/2011	Cheng	D14/216
D640,248 S *	6/2011	Baumann	D14/253
D643,022 S *	8/2011	Hou	D14/216
D734,292 S *	7/2015	Barone	D14/188
D740,249 S *	10/2015	Park	D14/188
D822,004 S *	7/2018	Tan	D14/216
D861,599 S *	10/2019	Choi	D13/108
D861,600 S *	10/2019	Choi	D13/108
D878,352 S	3/2020	Yang	
D895,601 S	9/2020	Liao	
D906,280 S *	12/2020	Matarese	D14/204
D911,304 S *	2/2021	Hong	D14/204

* cited by examiner

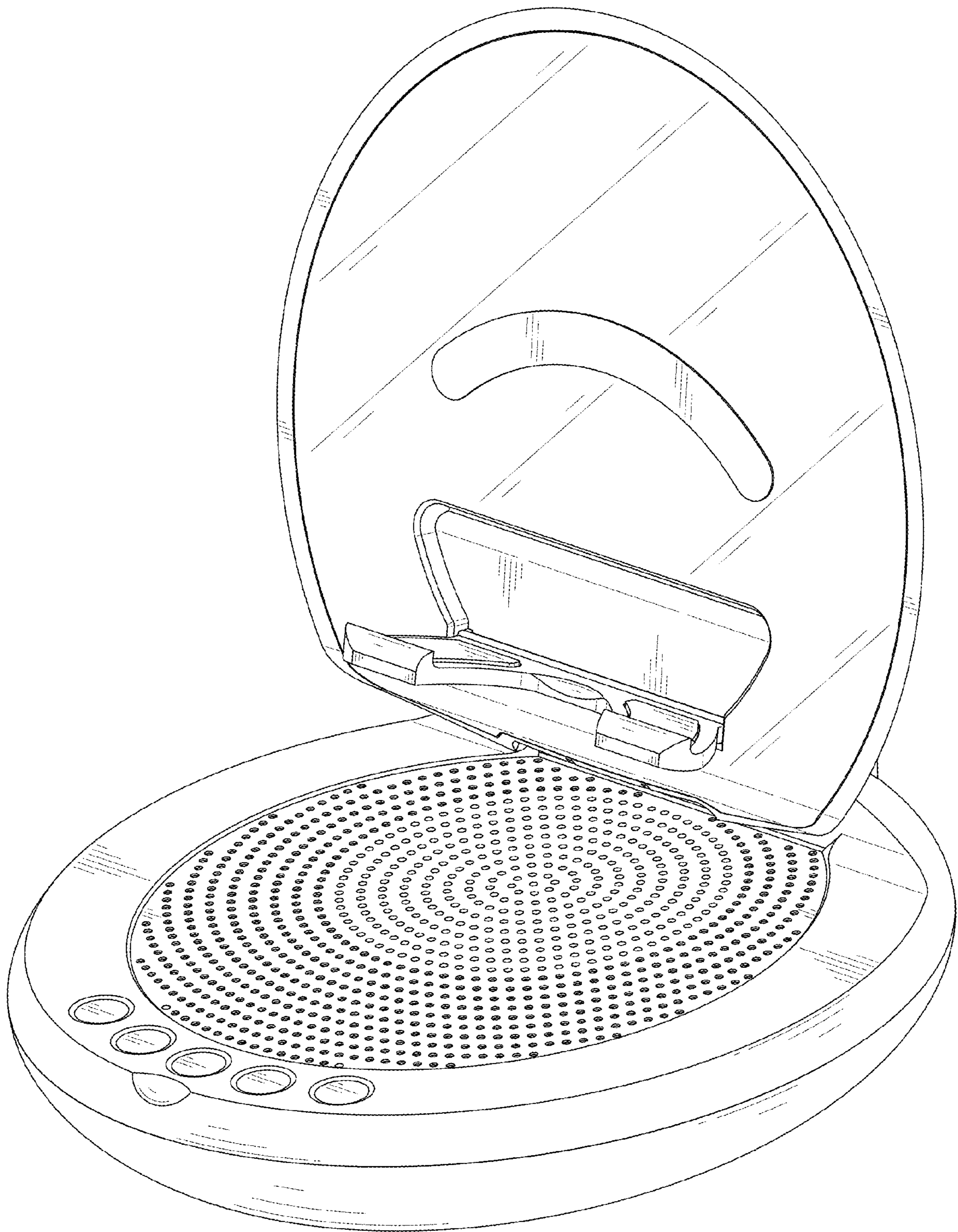


FIG. 1

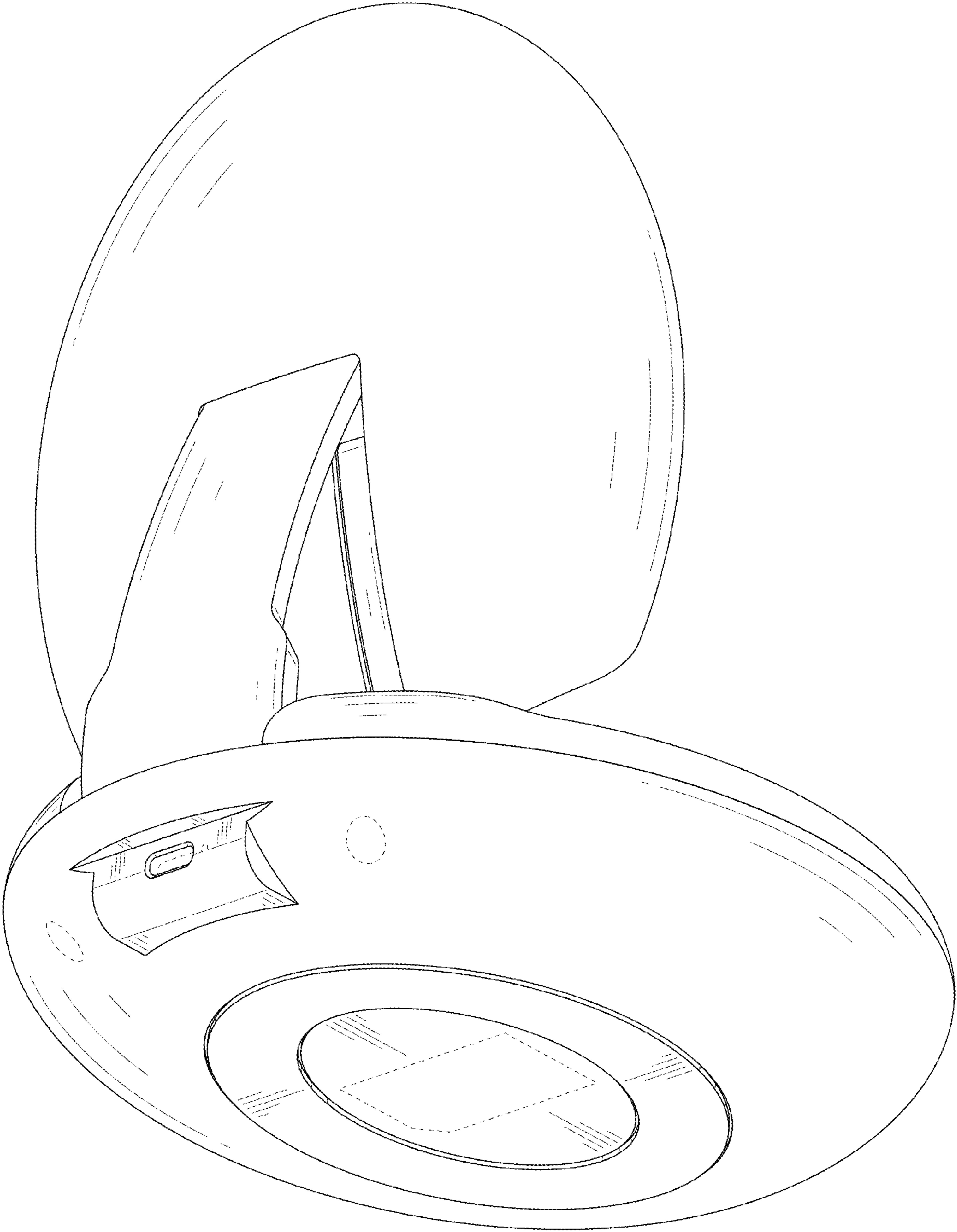


FIG. 2

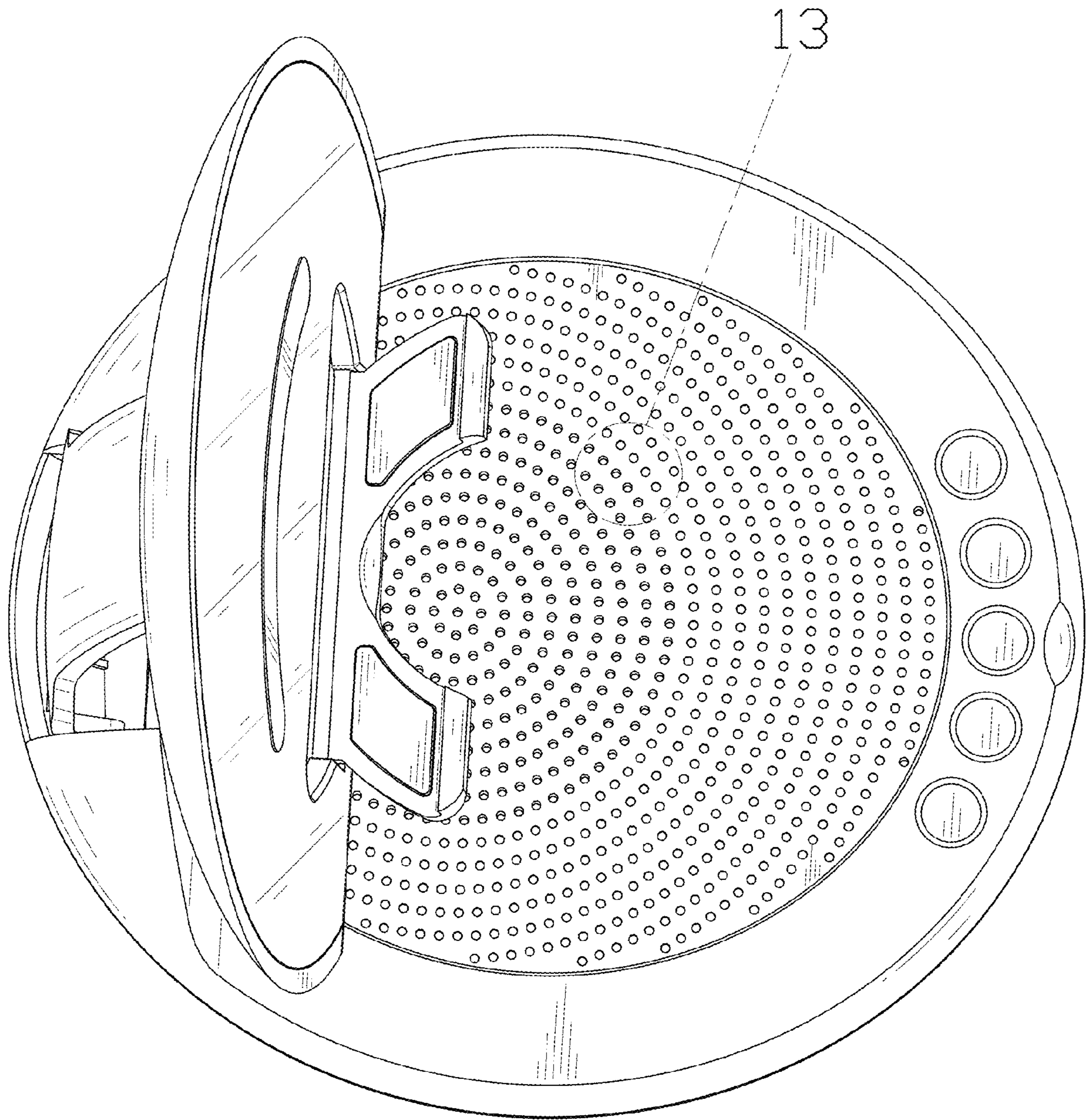


FIG. 3

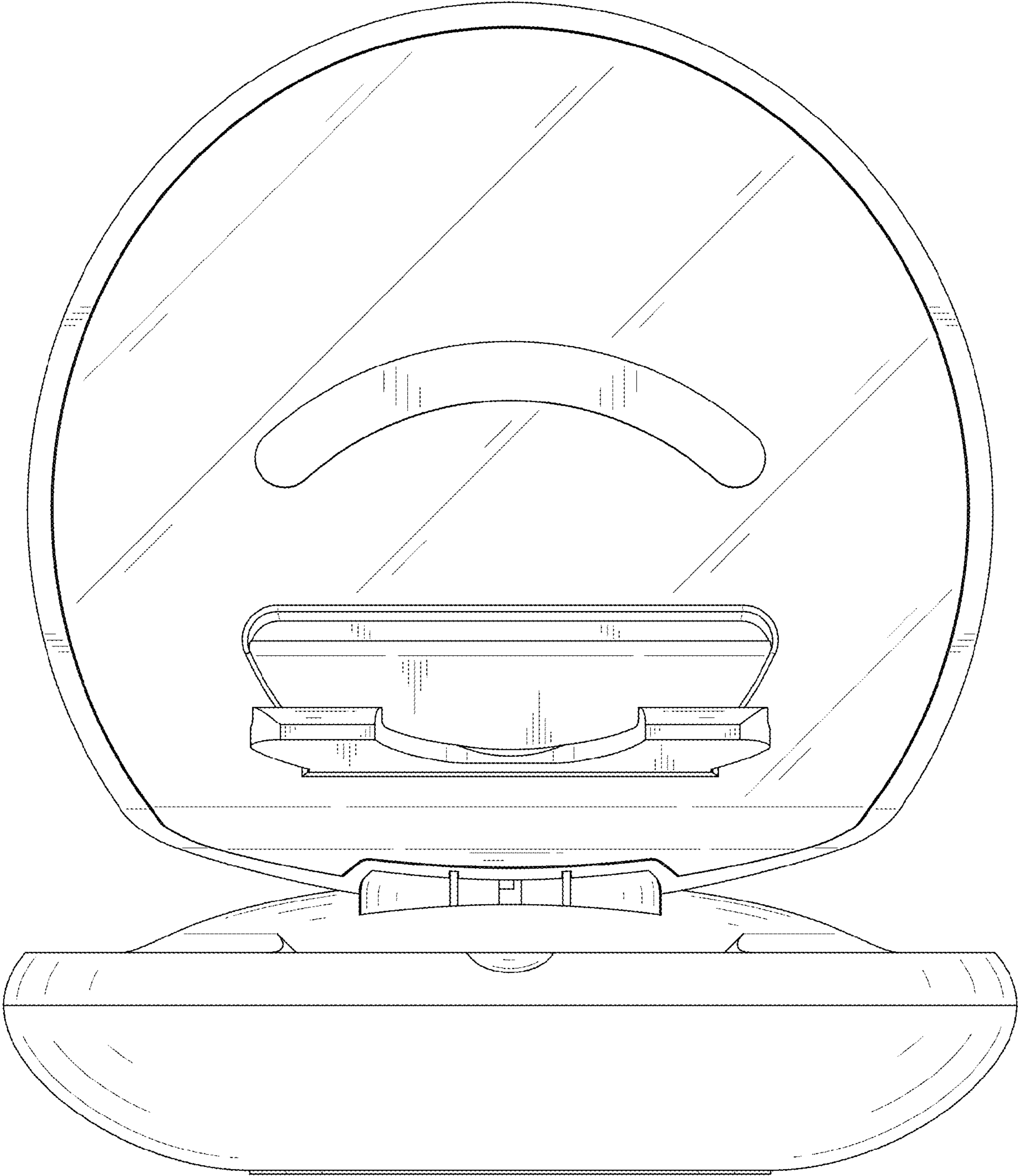


FIG. 4

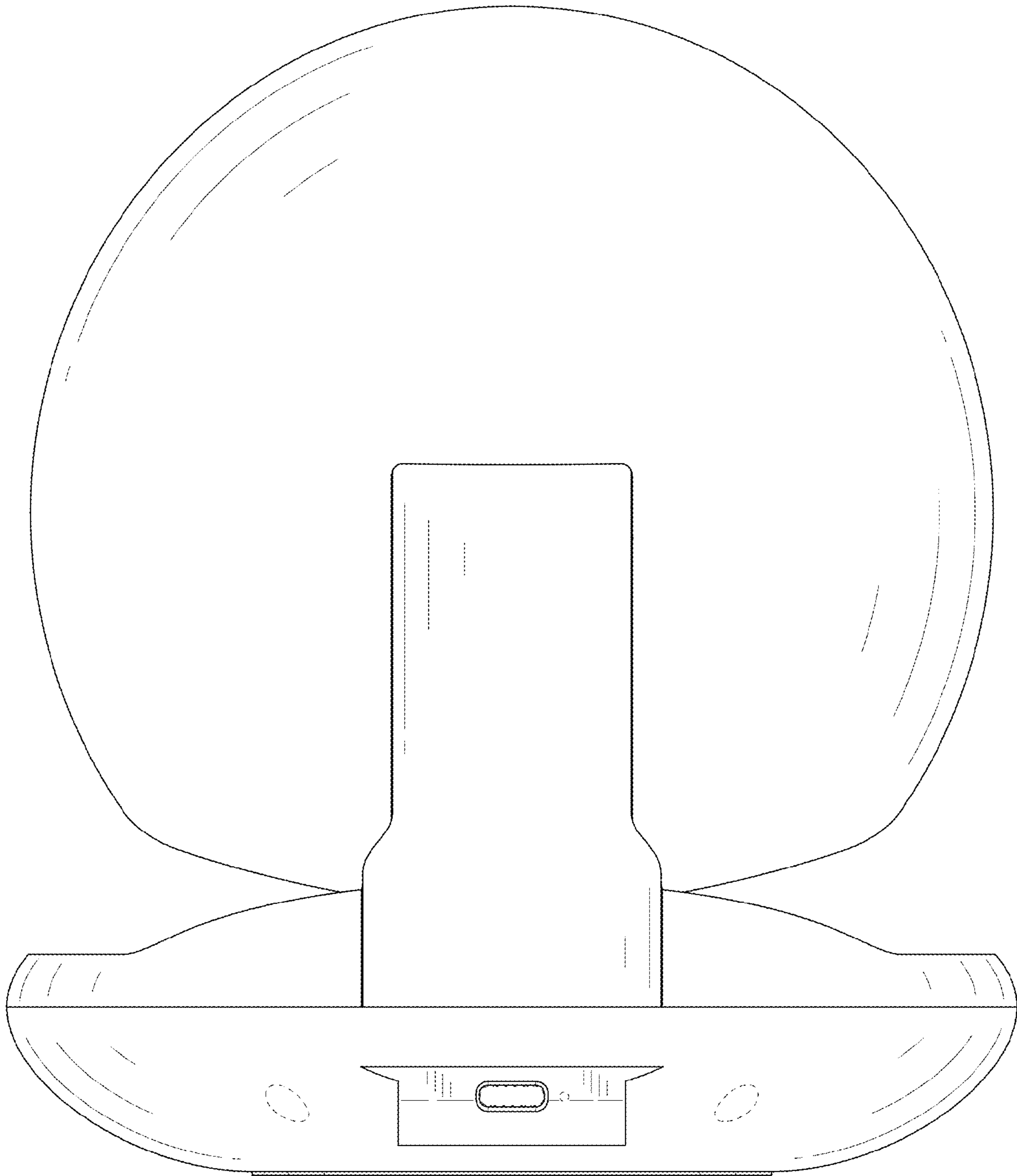


FIG. 5

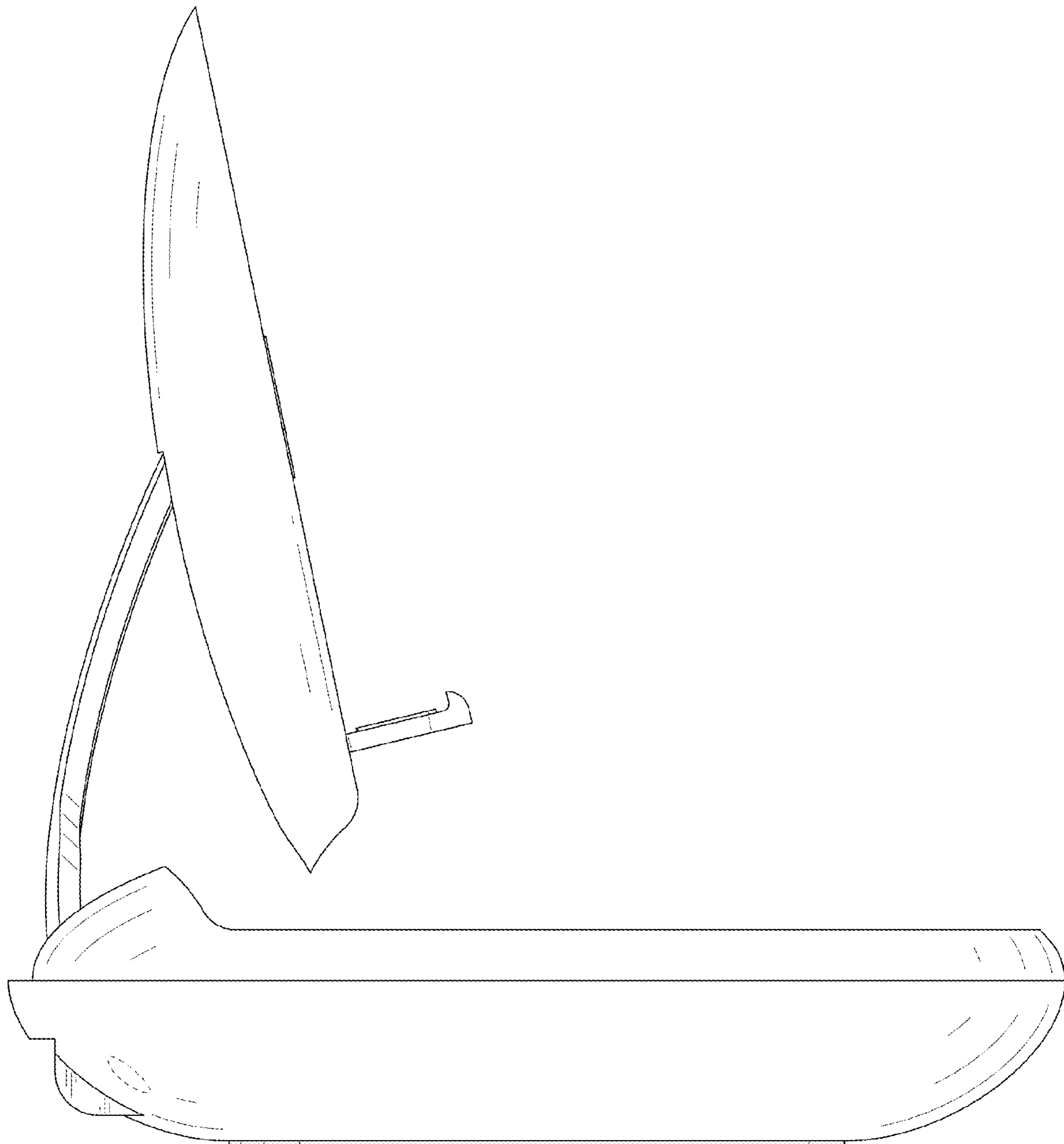


FIG. 6

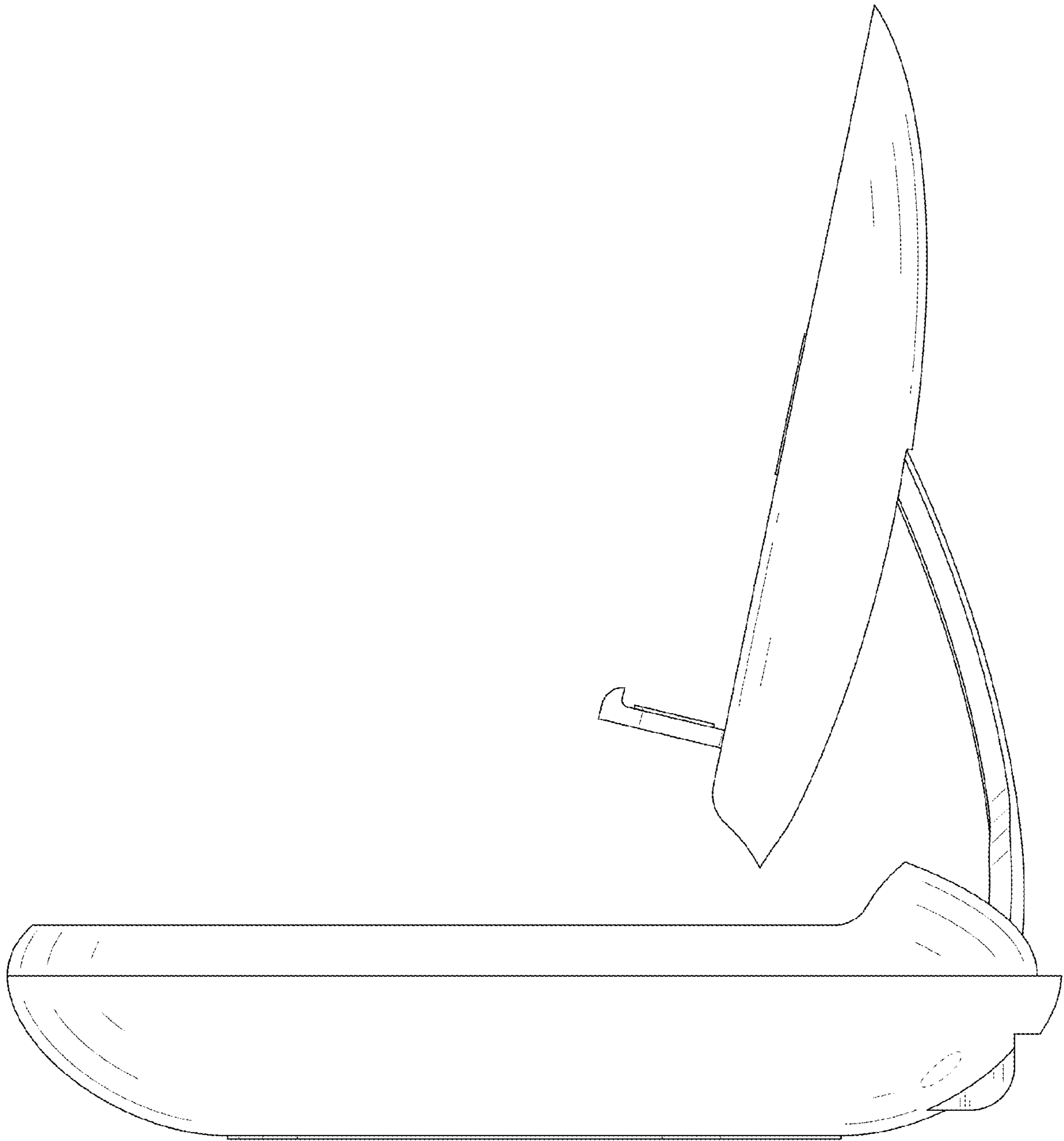


FIG. 7

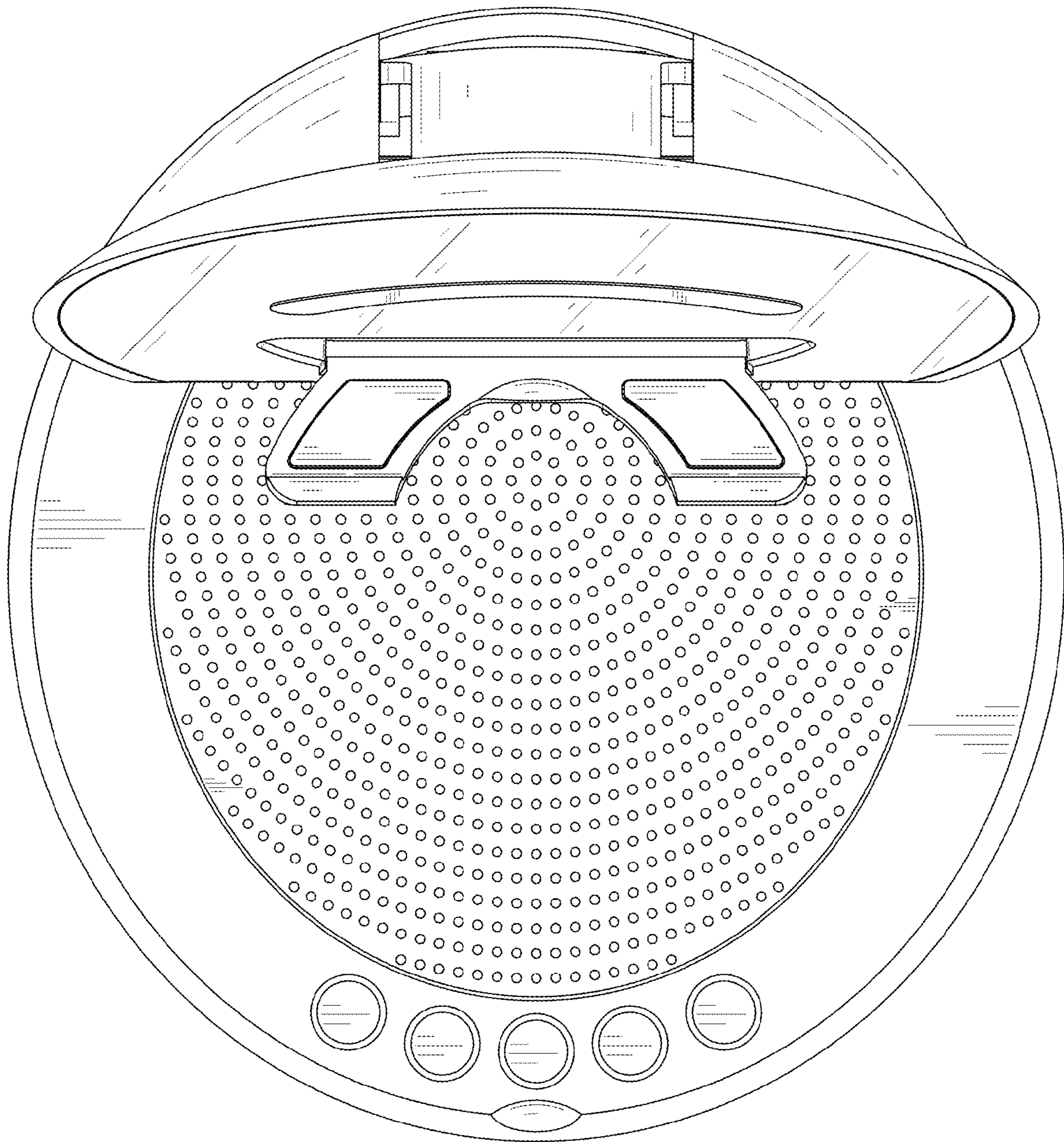


FIG. 8

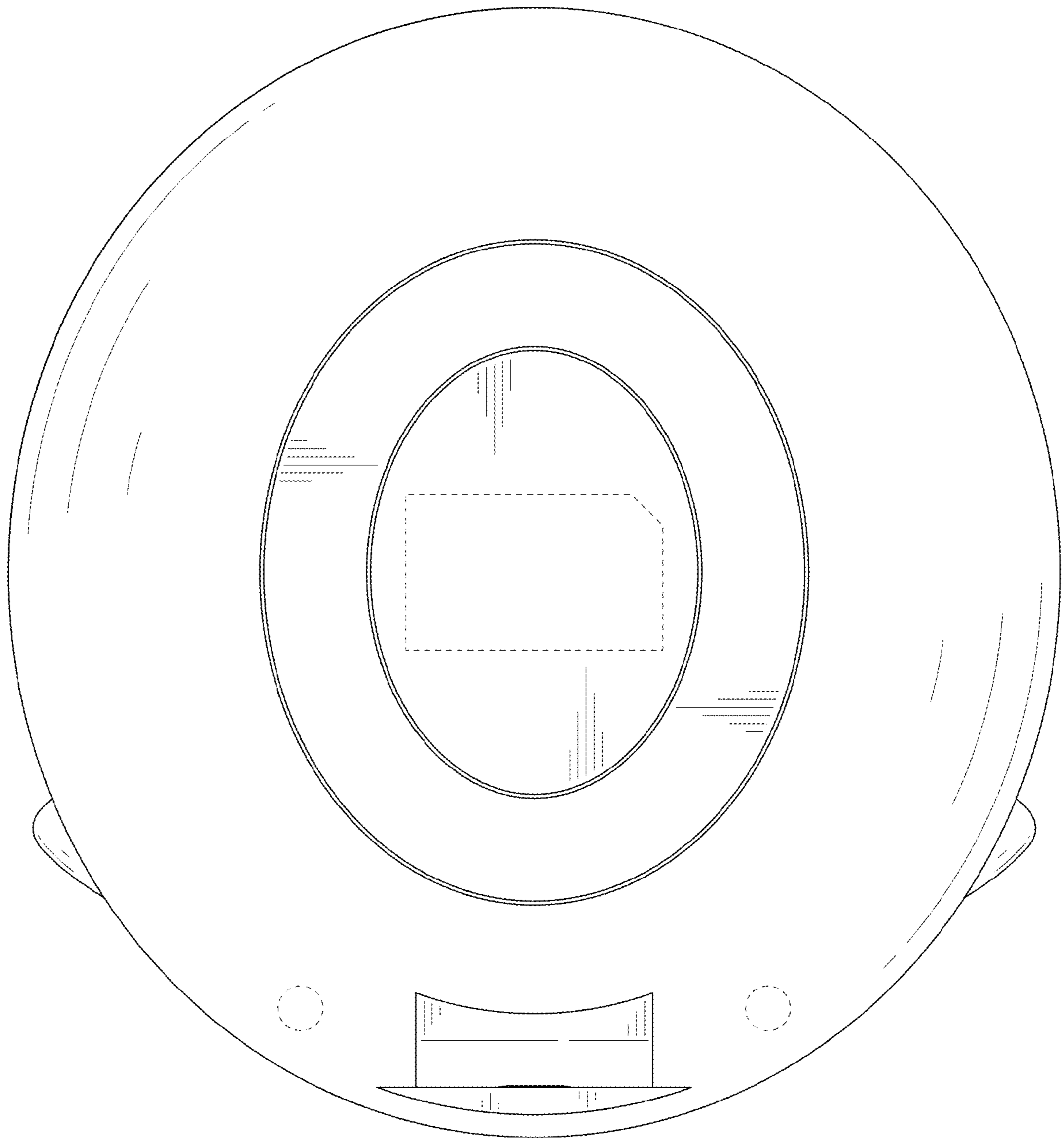


FIG. 9

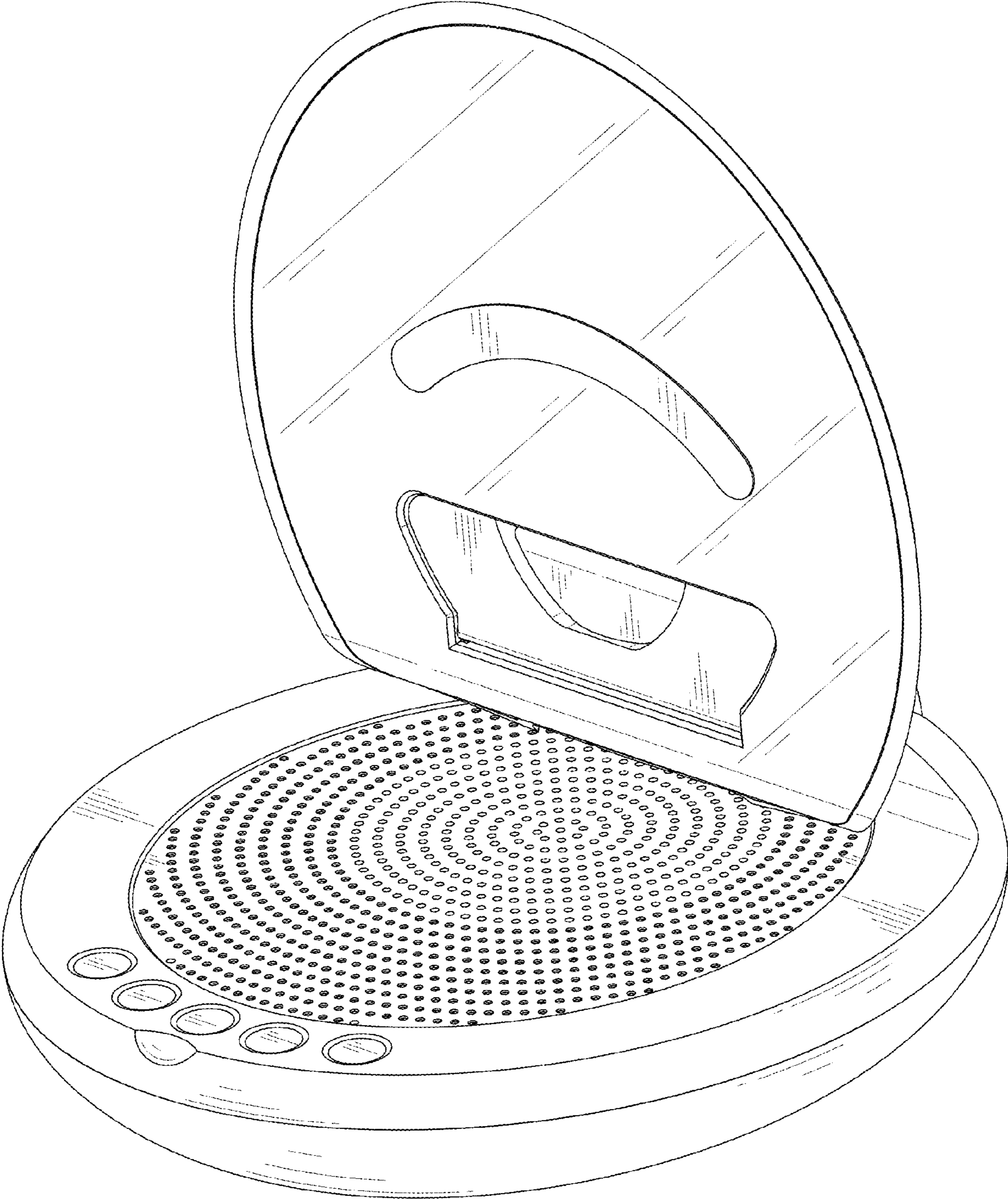


FIG. 10

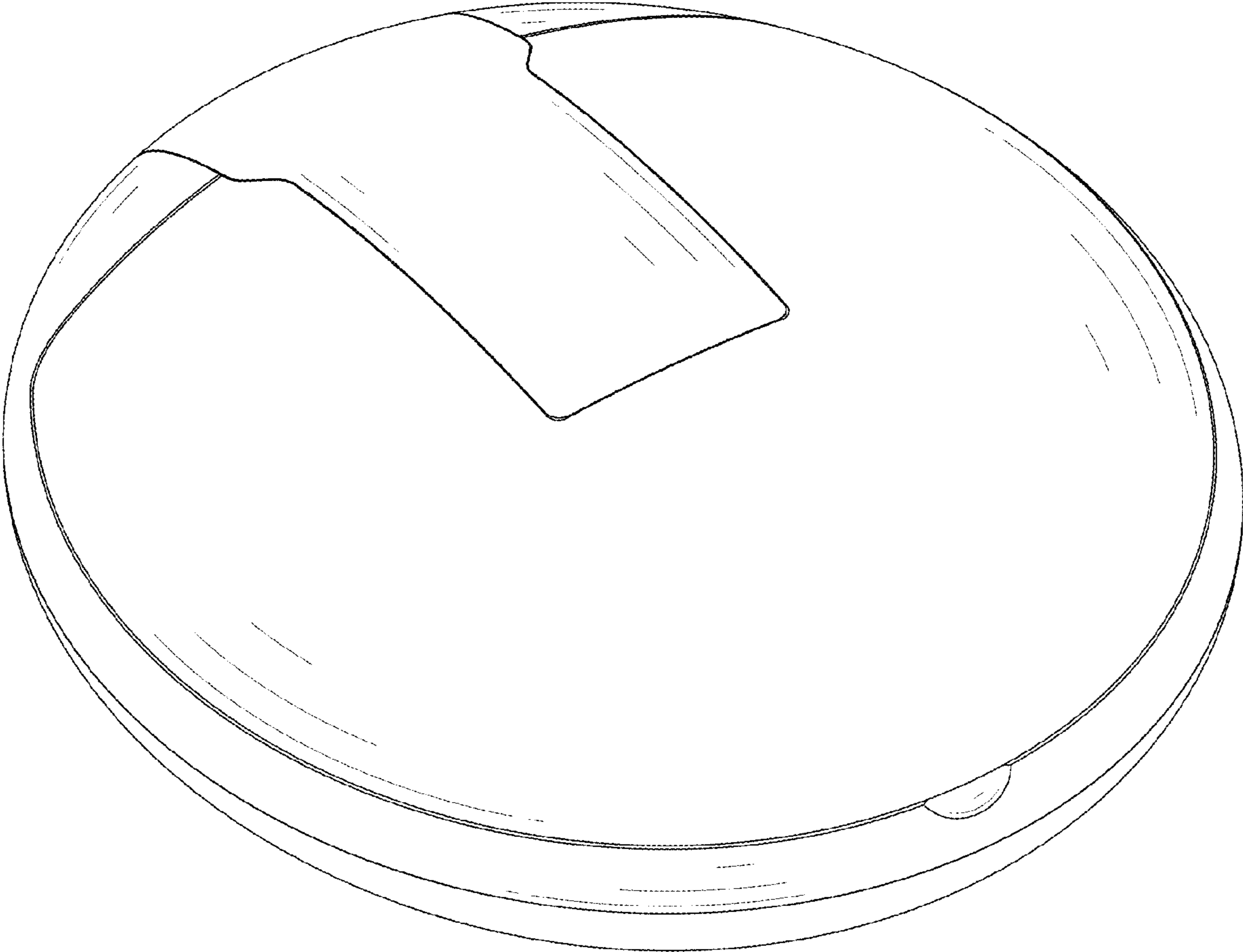


FIG. 11

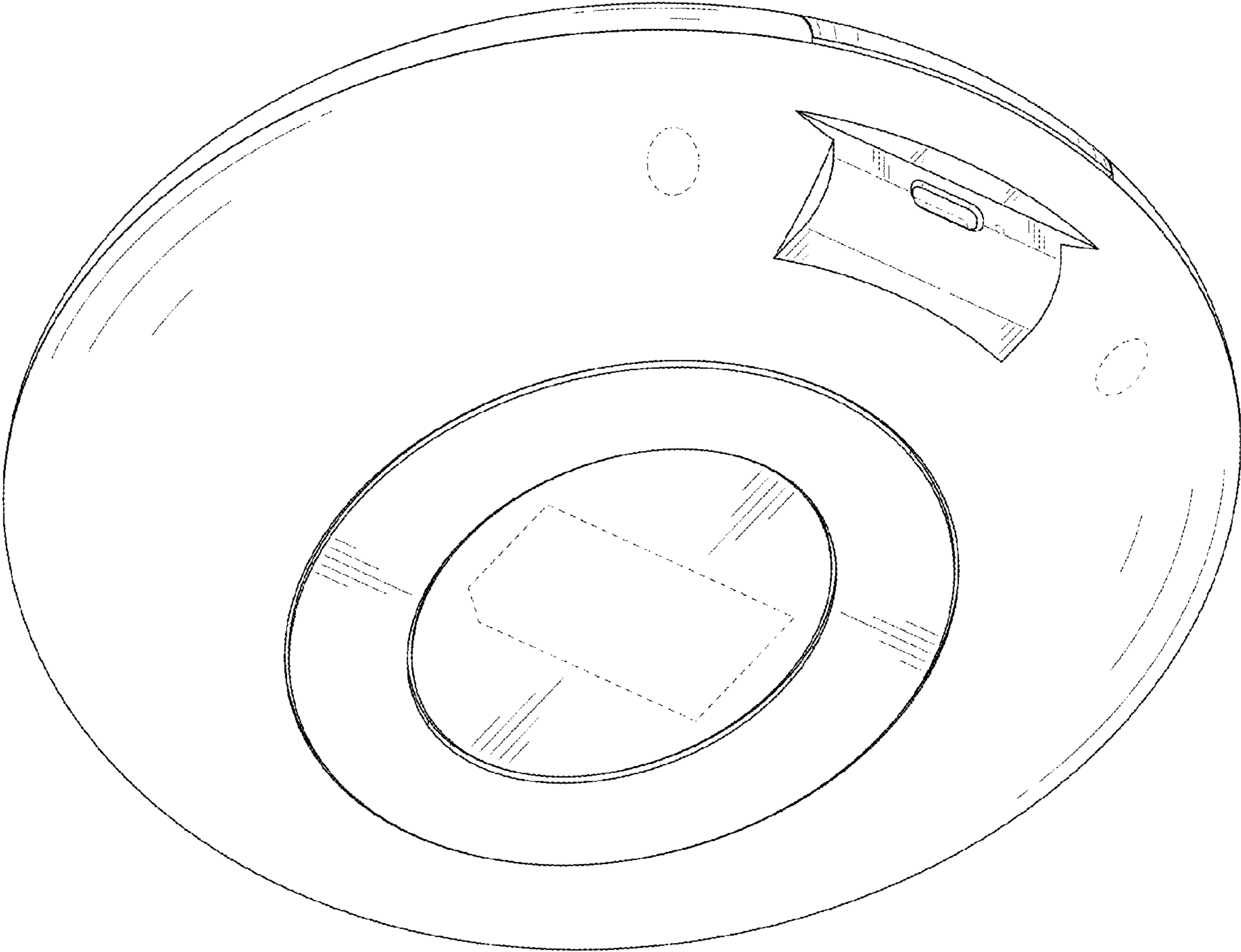


FIG. 12

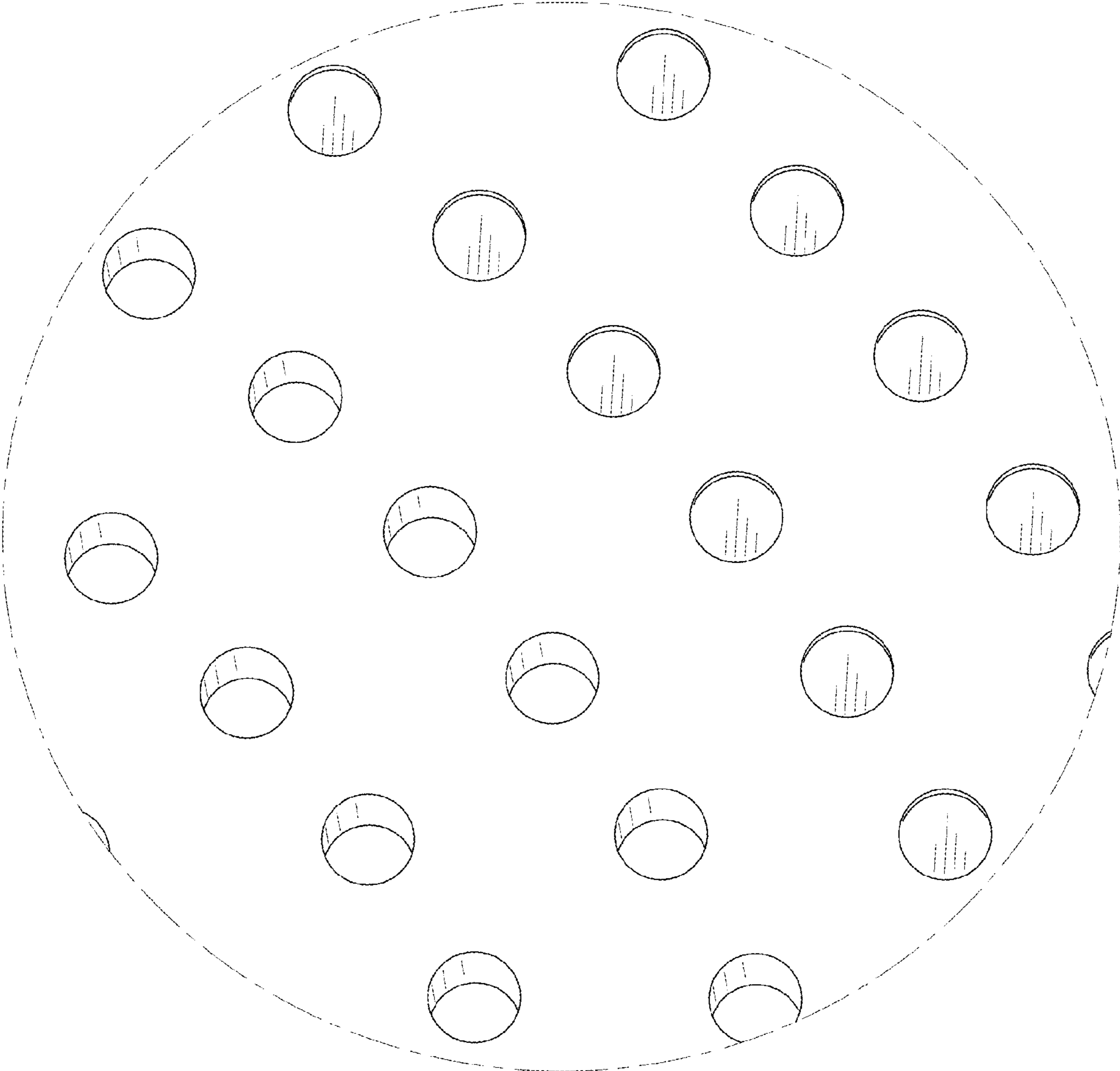


FIG. 13

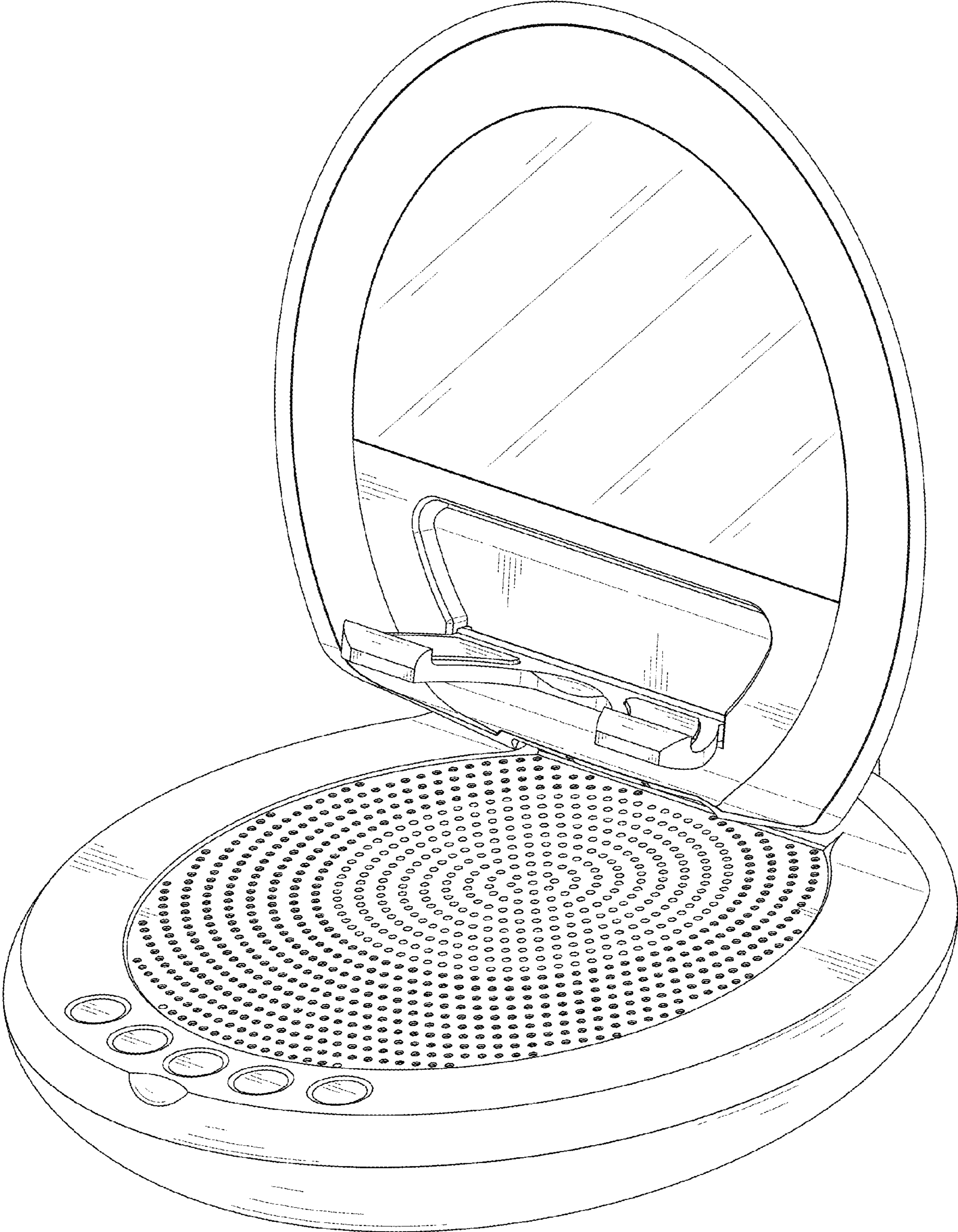


FIG. 14

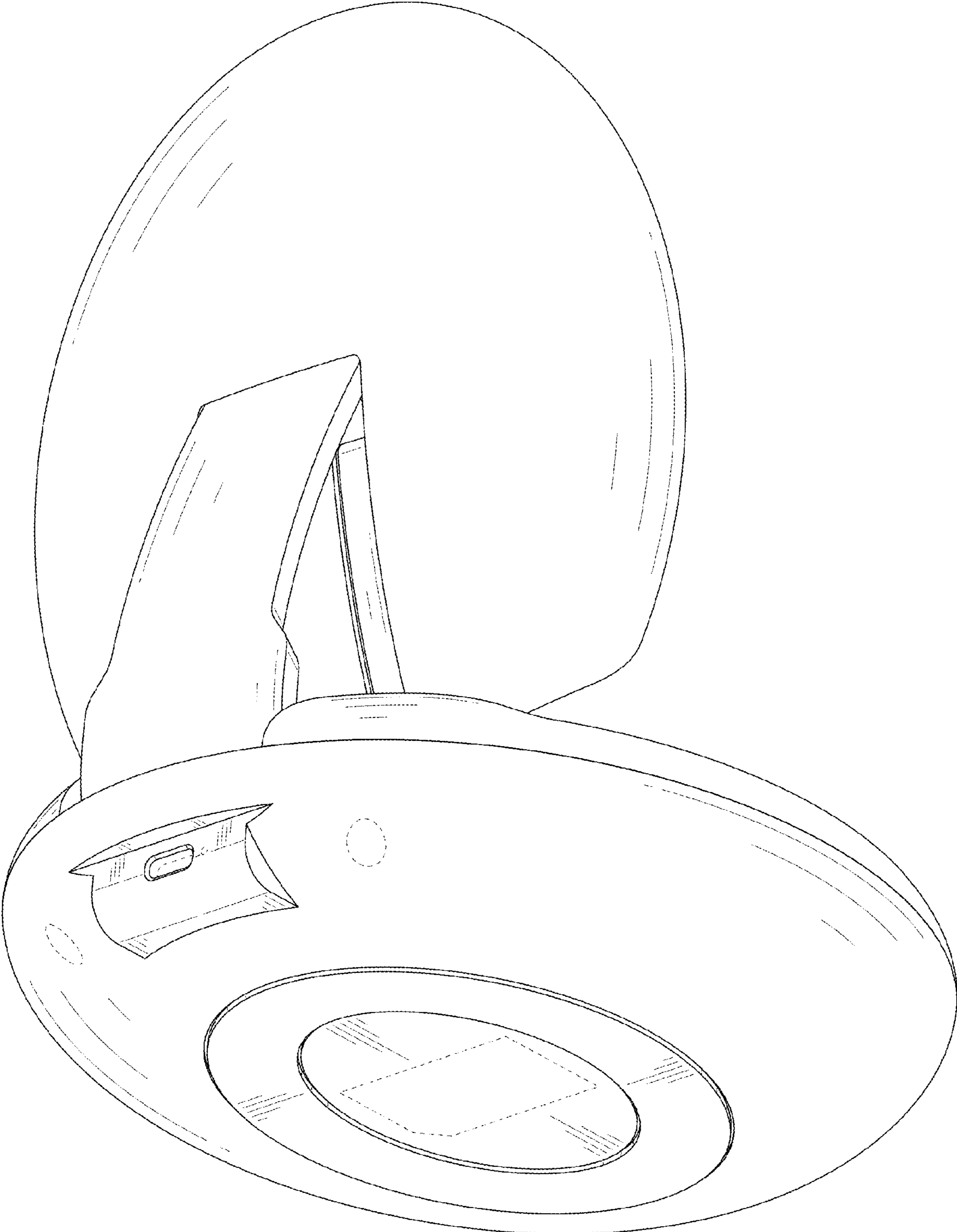


FIG. 15

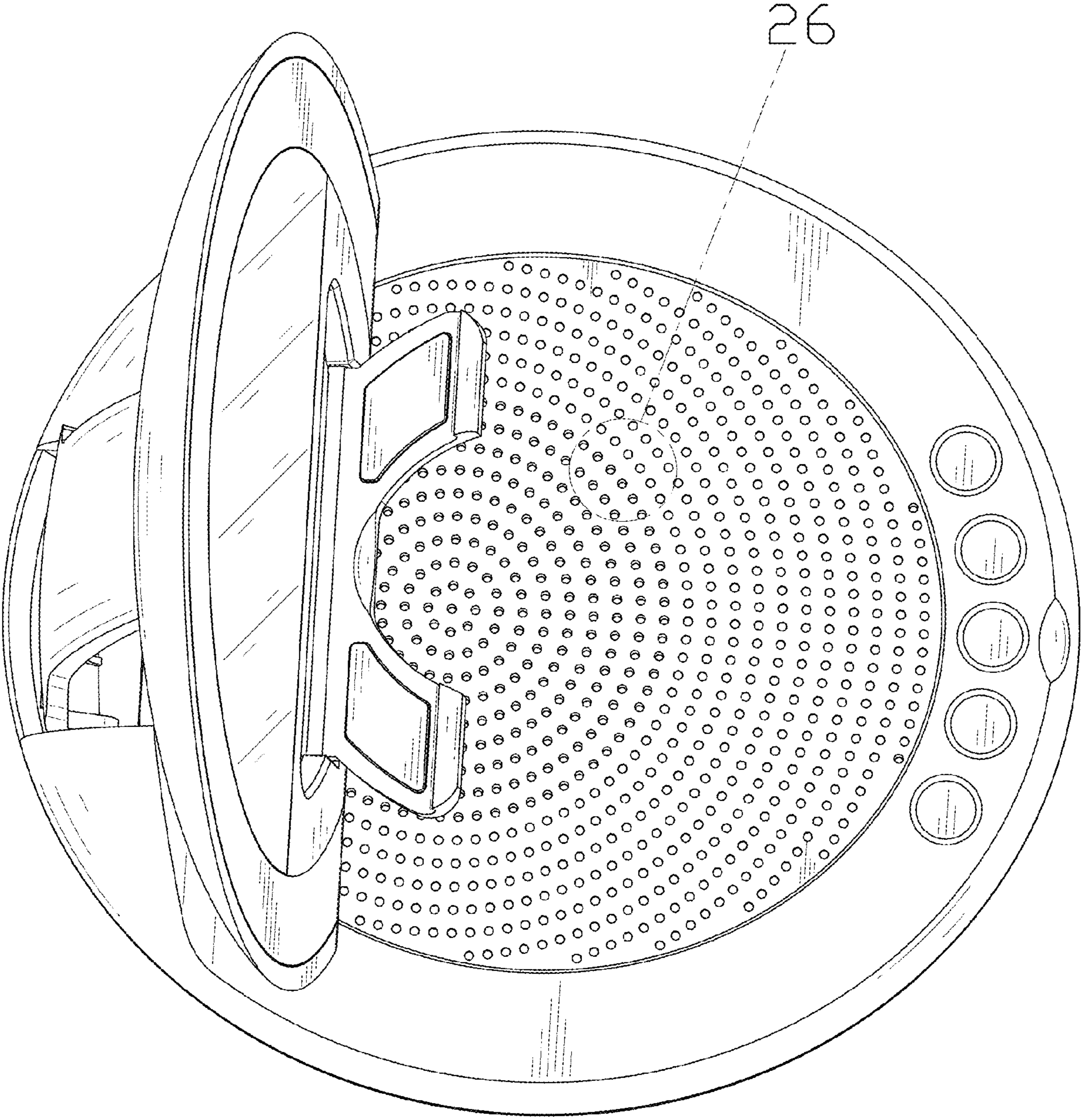


FIG. 16

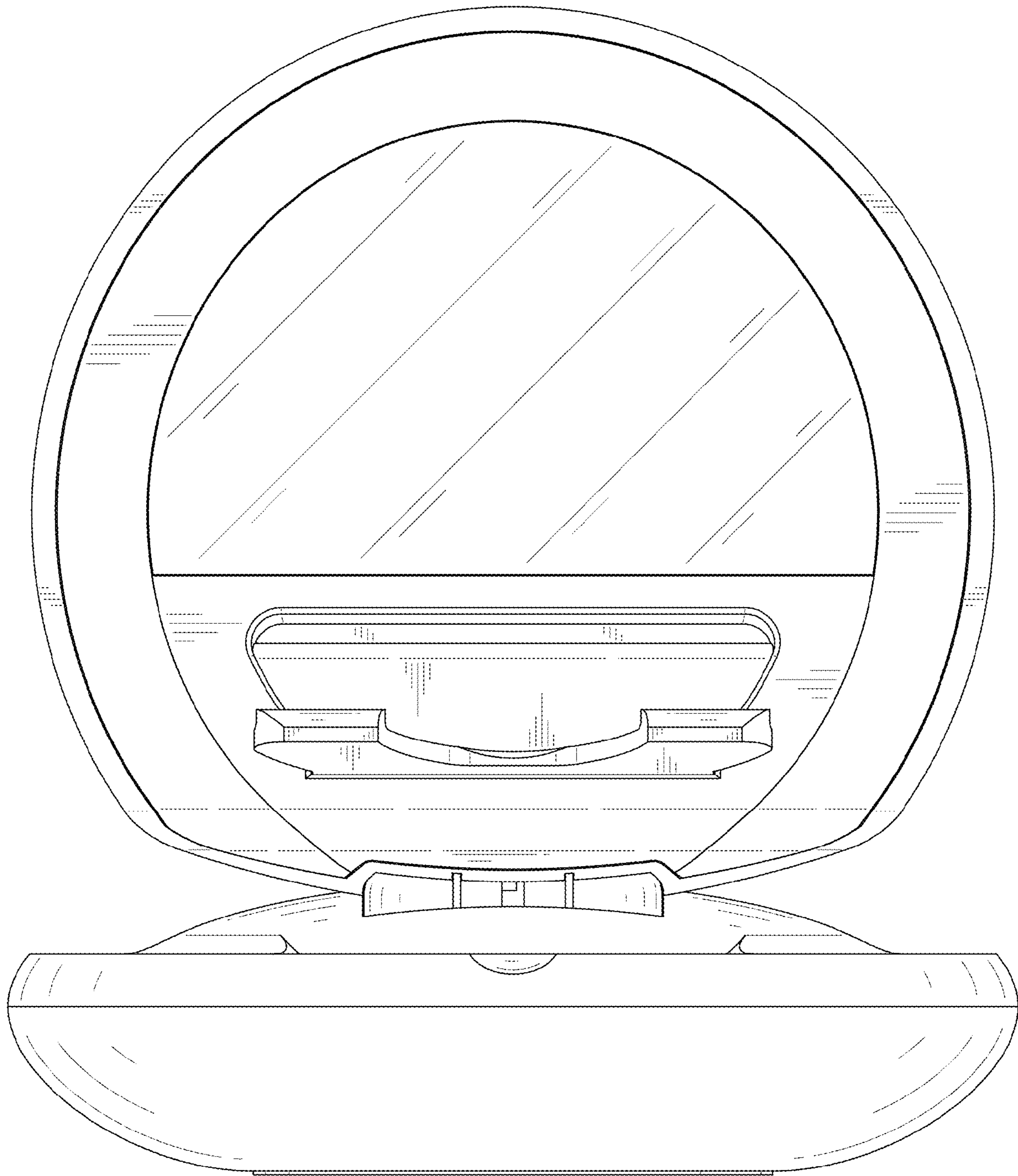


FIG. 17

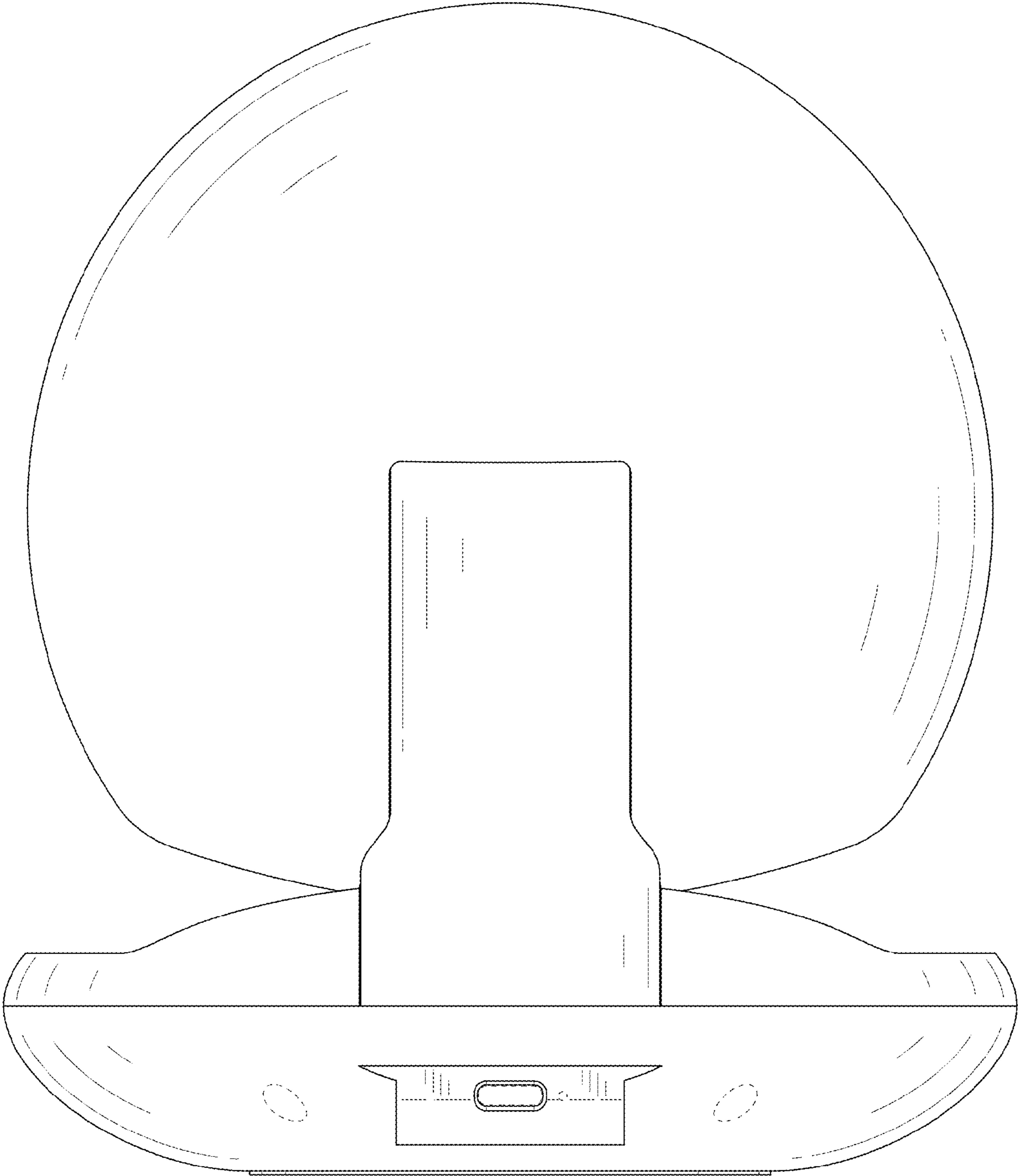


FIG. 18

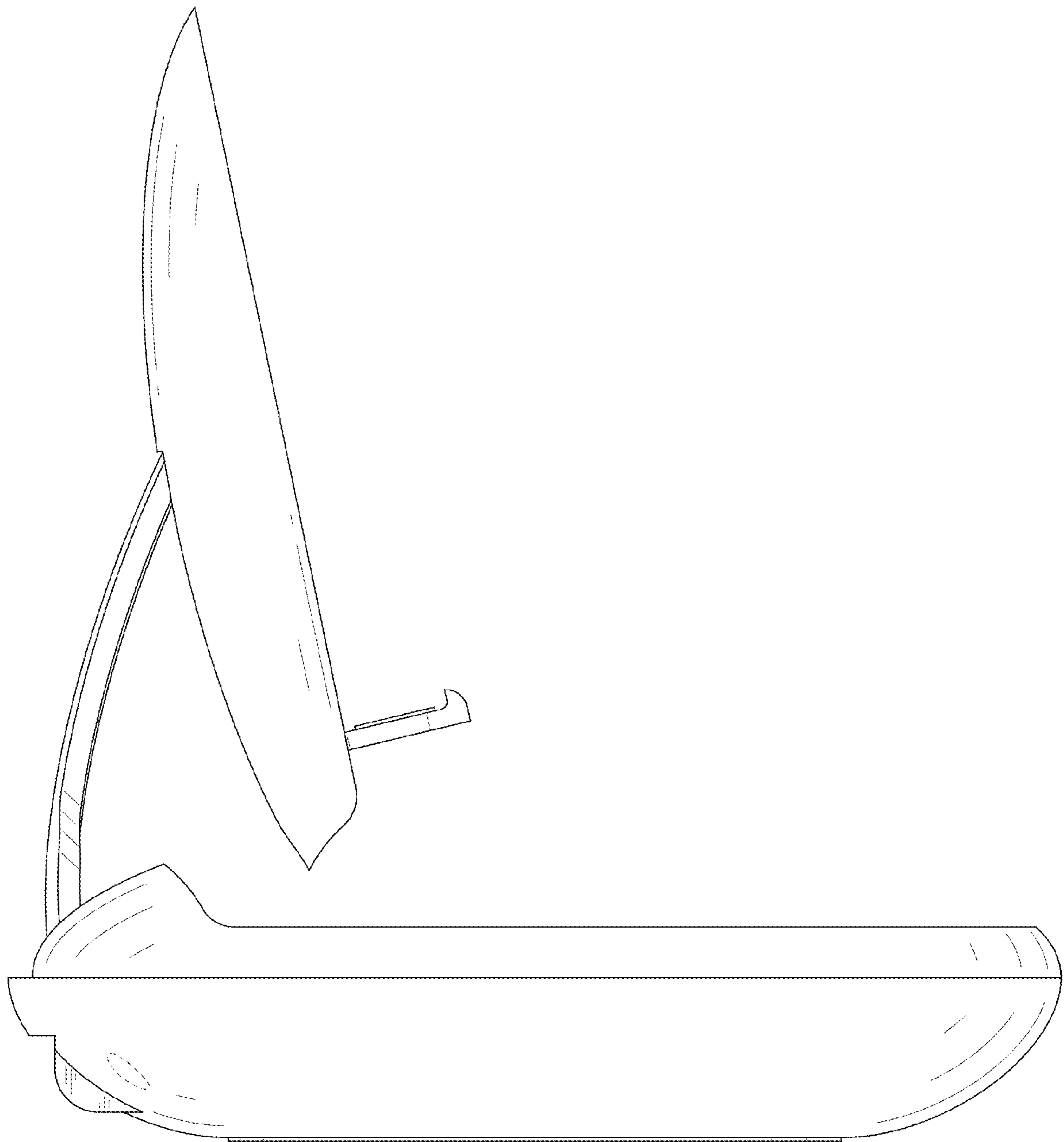


FIG. 19

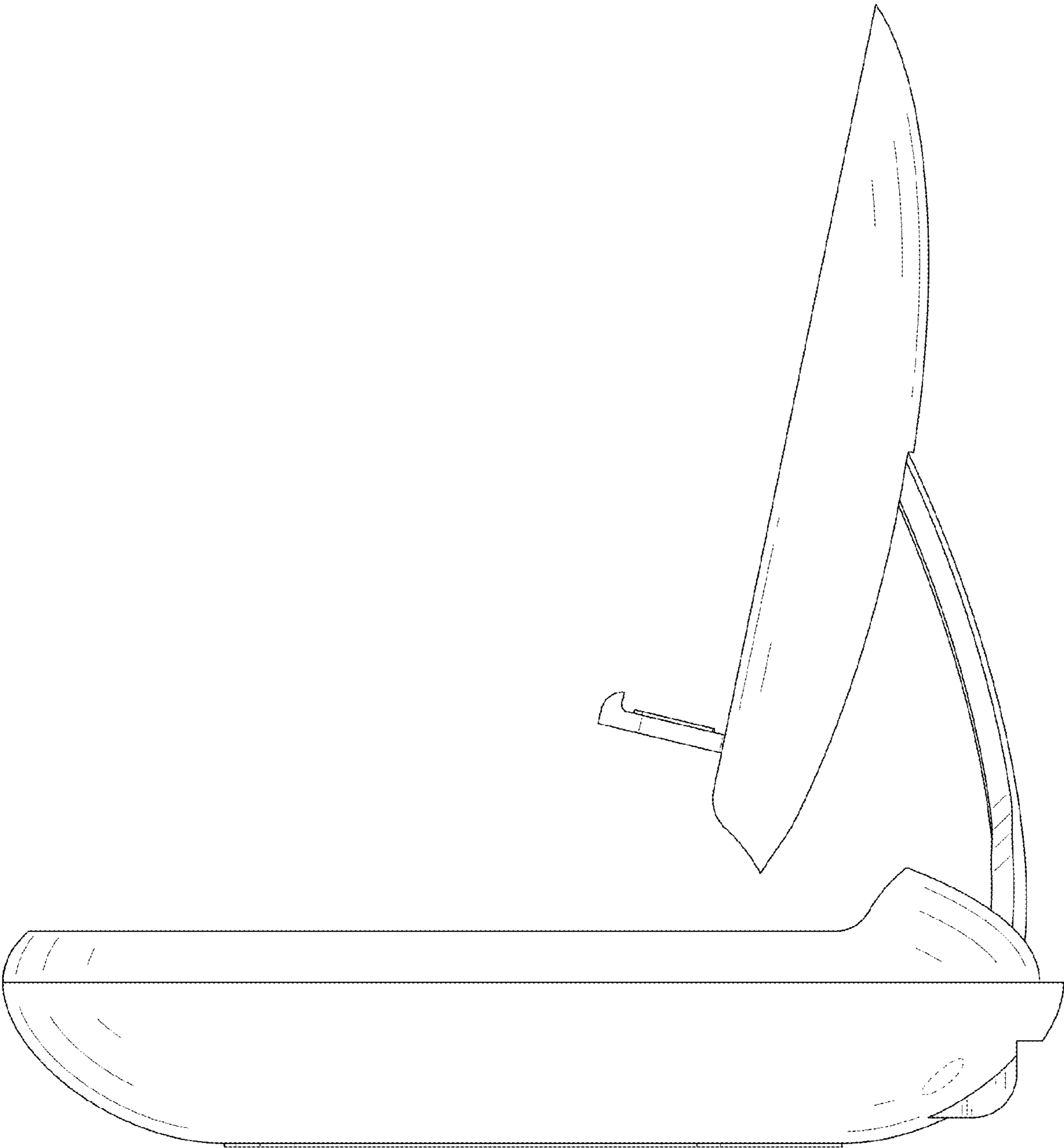


FIG. 20

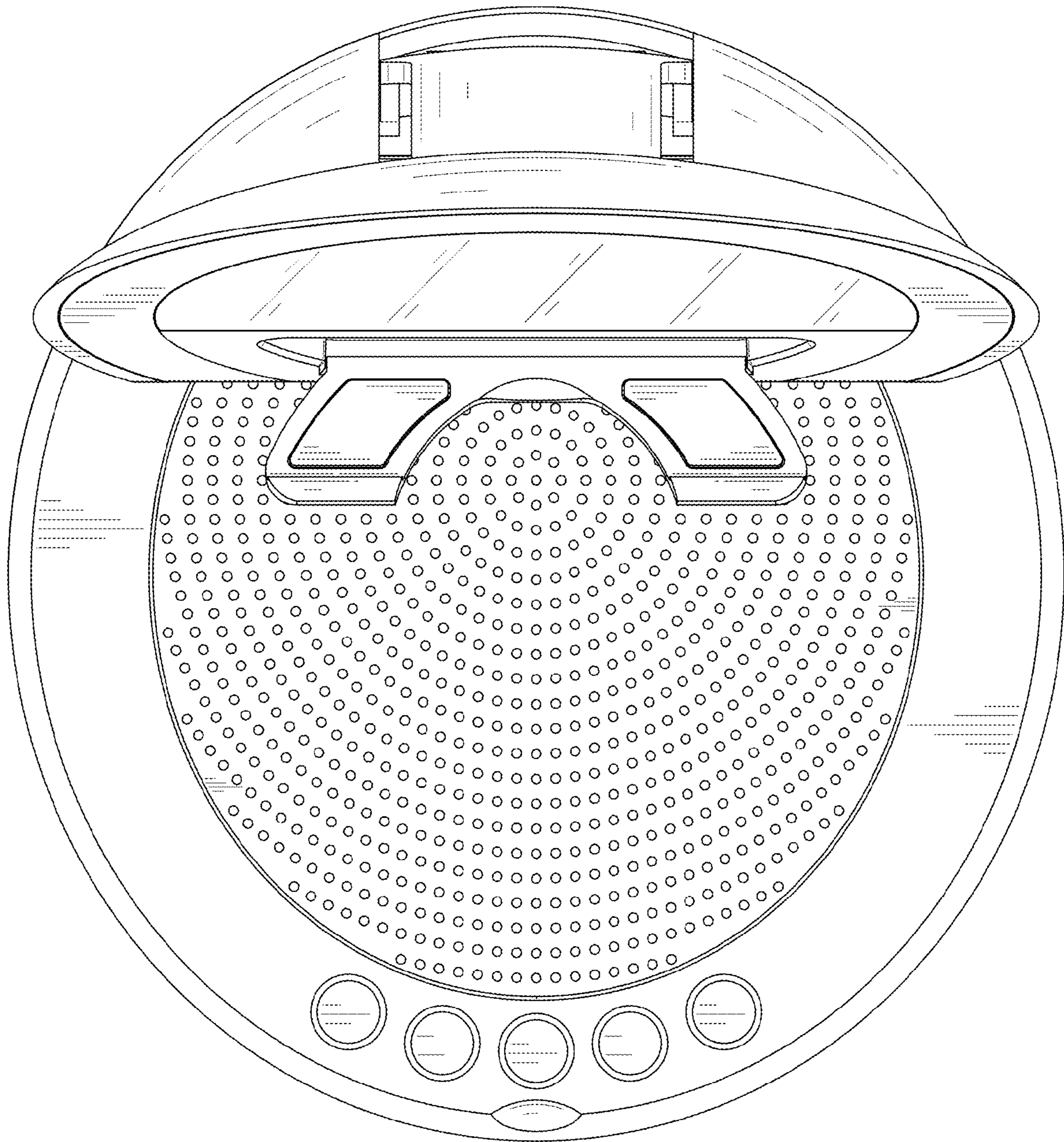


FIG. 21

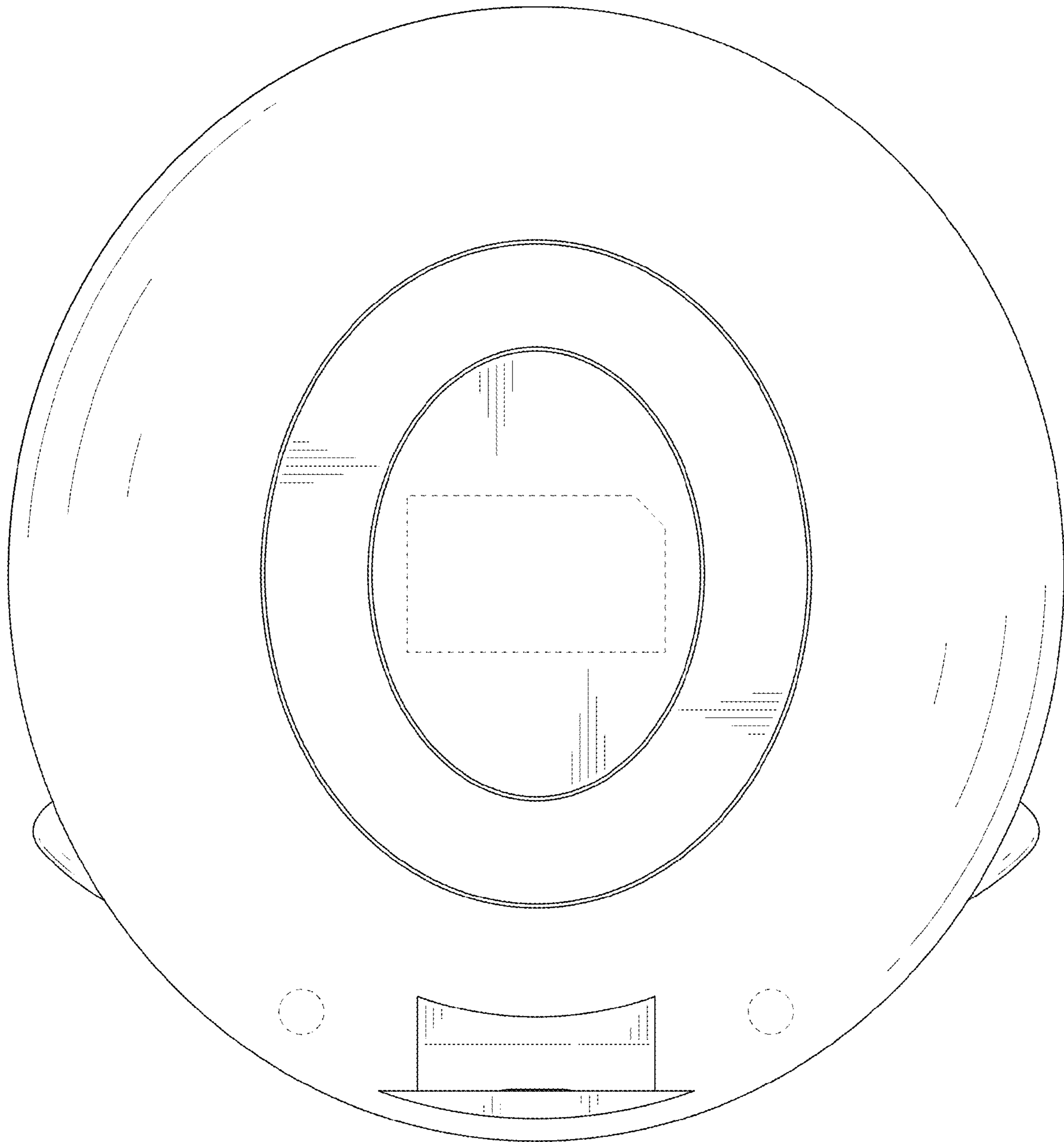


FIG. 22

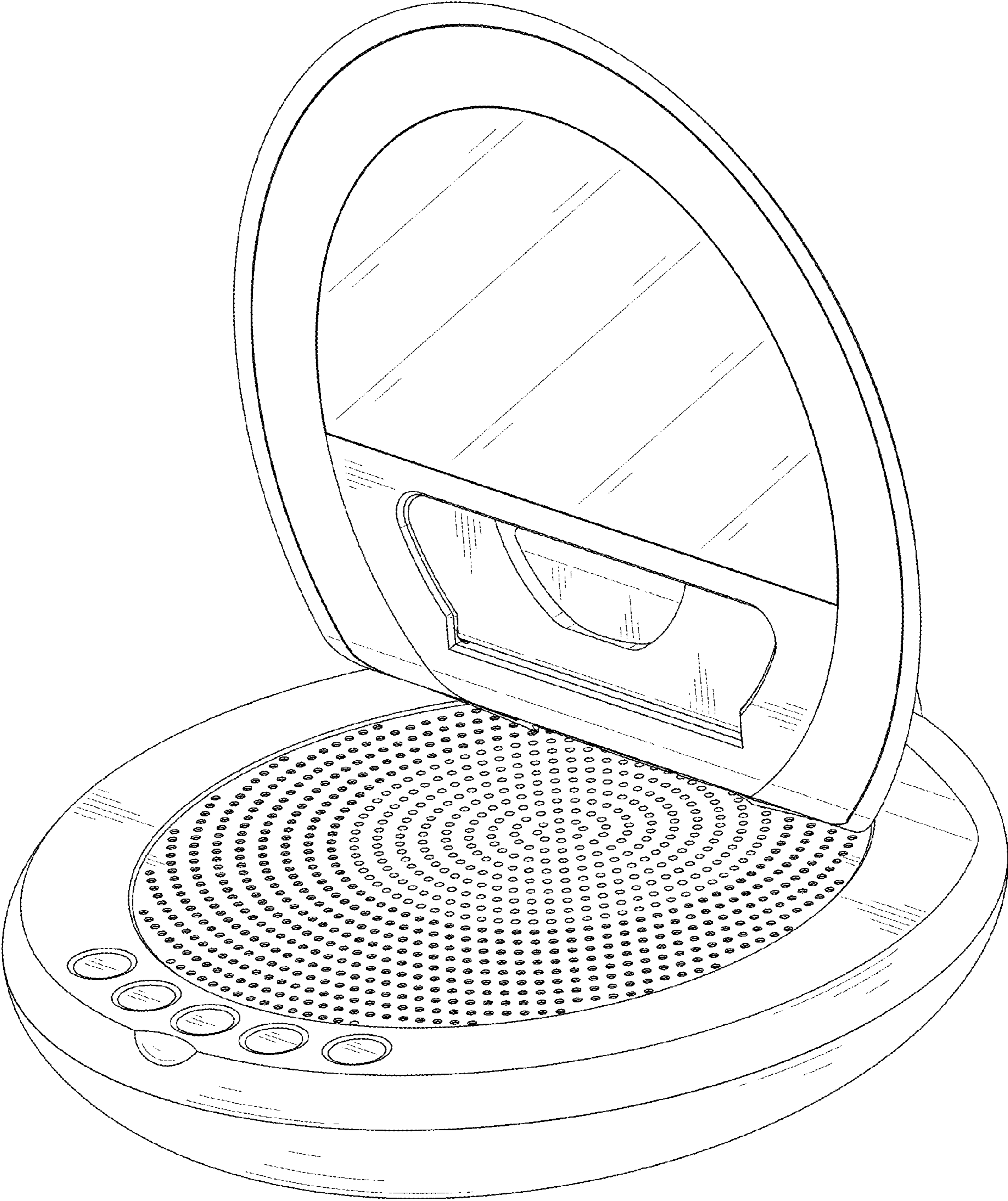


FIG. 23

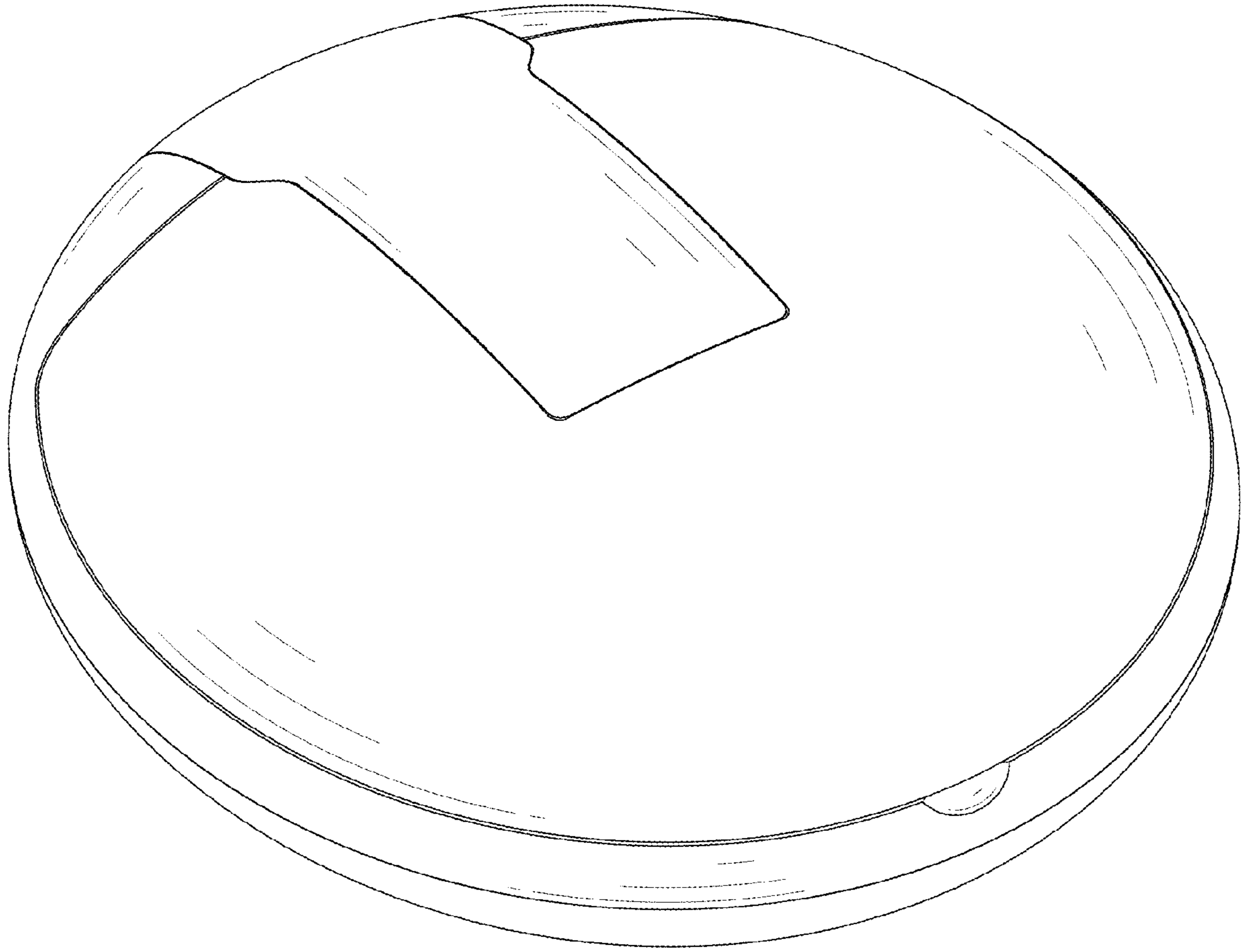


FIG. 24

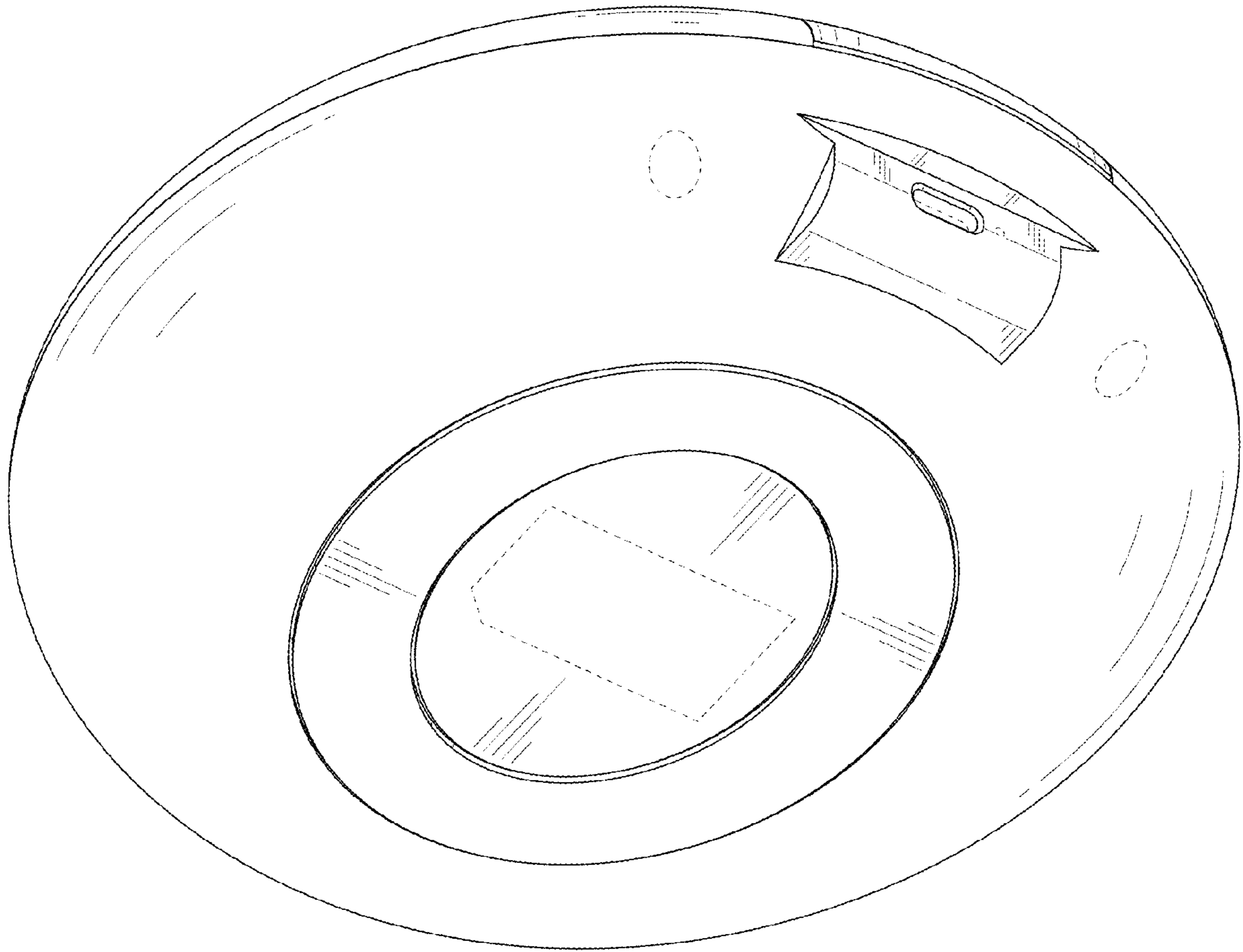


FIG. 25

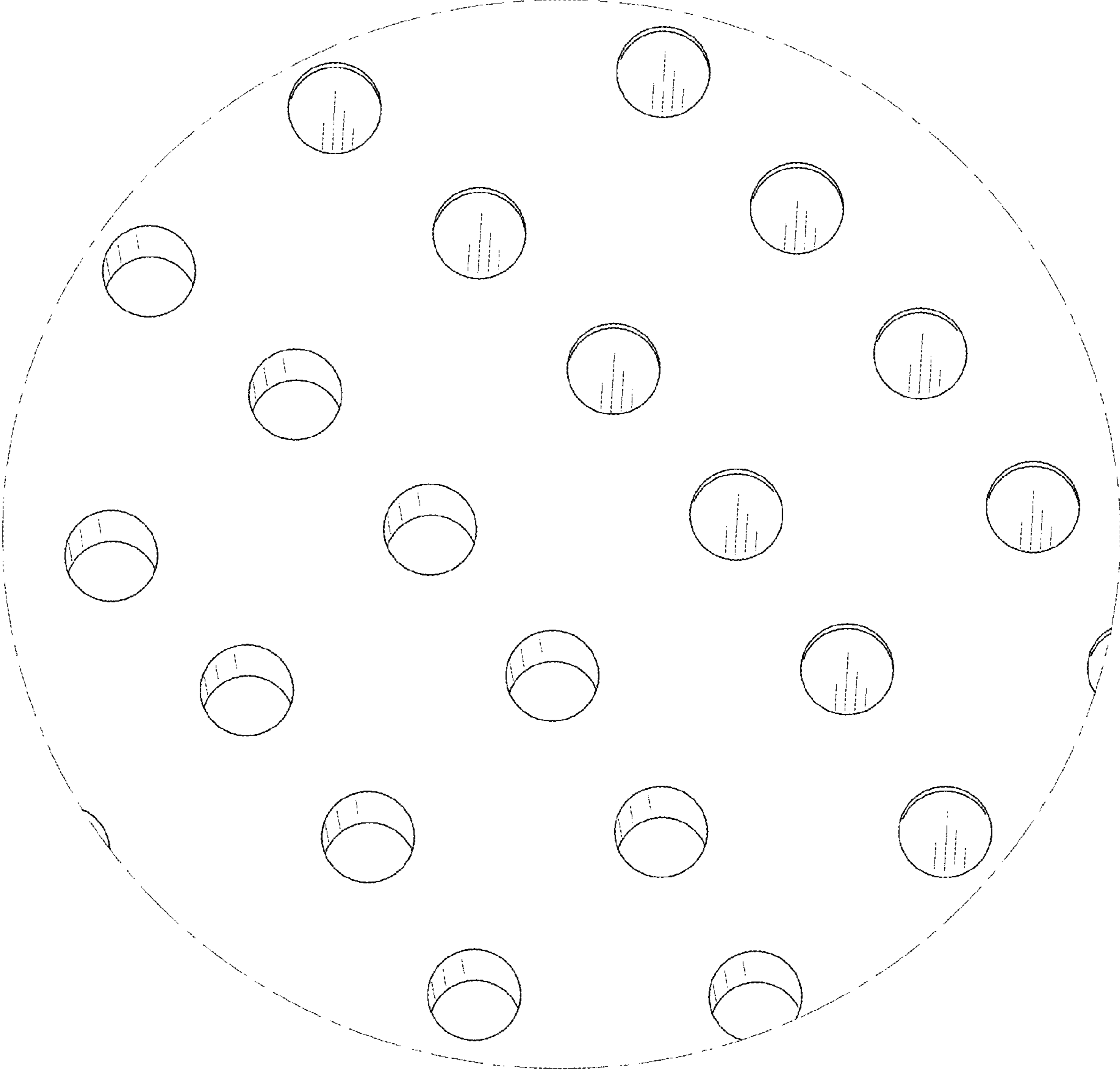


FIG. 26