



US00D924218S

(12) **United States Design Patent**  
**Son et al.**

(10) **Patent No.:** **US D924,218 S**  
(45) **Date of Patent:** **\*\* Jul. 6, 2021**

(54) **MOBILE PHONE**

**FOREIGN PATENT DOCUMENTS**

(71) Applicant: **Samsung Electronics Co., Ltd.**,  
Suwon-si (KR)

CN 306004037 \* 8/2020 ..... 14/3

(72) Inventors: **Jongdeuk Son**, Suwon-si (KR); **Jinie Ryu**, Suwon-si (KR); **Jaewoong Chung**, Suwon-si (KR); **Hyoungshin Park**, Suwon-si (KR)

**OTHER PUBLICATIONS**

Samsung Galaxy Note10, announced Aug. 7, 2019, [online], [retrieved on Apr. 21, 2021]. Retrieved from Internet ,<URL: <http://www.gsmarena.com>>.\*

(Continued)

(73) Assignee: **SAMSUNG ELECTRONICS CO., LTD.**, Suwon-si (KR)

*Primary Examiner* — Bridget L Eland

(\*\*) Term: **15 Years**

(74) *Attorney, Agent, or Firm* — McAndrews Held & Malloy, Ltd.

(21) Appl. No.: **29/707,197**

(57) **CLAIM**

(22) Filed: **Sep. 26, 2019**

The ornamental design for a mobile phone, as shown and described.

(30) **Foreign Application Priority Data**

**DESCRIPTION**

Mar. 26, 2019 (KR) ..... 30-2019-0013742

(51) **LOC (13) Cl.** ..... **14-03**

(52) **U.S. Cl.**  
USPC ..... **D14/248**

(58) **Field of Classification Search**  
USPC .. D14/138 G, 248, 341, 345, 439, 432, 371, D14/374, 138 R, 138 AA, 138 AB, D14/138 AC, 138 AD, 138 C  
CPC ..... H04M 1/0202; H04M 1/0235; H04M 1/0237; H04M 1/0239; H04M 1/0266; H04M 1/0268; H04M 1/027; H04M 1/0295; H04M 1/02; H04M 1/0279; H04M 1/0283  
See application file for complete search history.

FIG. 1 is a front perspective view of a mobile phone showing our new design;  
FIG. 2 is a front elevation view thereof;  
FIG. 3 is a rear elevation view thereof;  
FIG. 4 is a left side elevation view thereof;  
FIG. 5 is a right side elevation view thereof;  
FIG. 6 is a top plan view thereof;  
FIG. 7 is a bottom plan view thereof;  
FIG. 8 is a rear perspective view thereof;  
FIG. 9 is an enlarged view of the portion 9 encircled in FIG. 1; and,  
FIG. 10 is an enlarged view of the portion 10 encircled in FIG. 5.

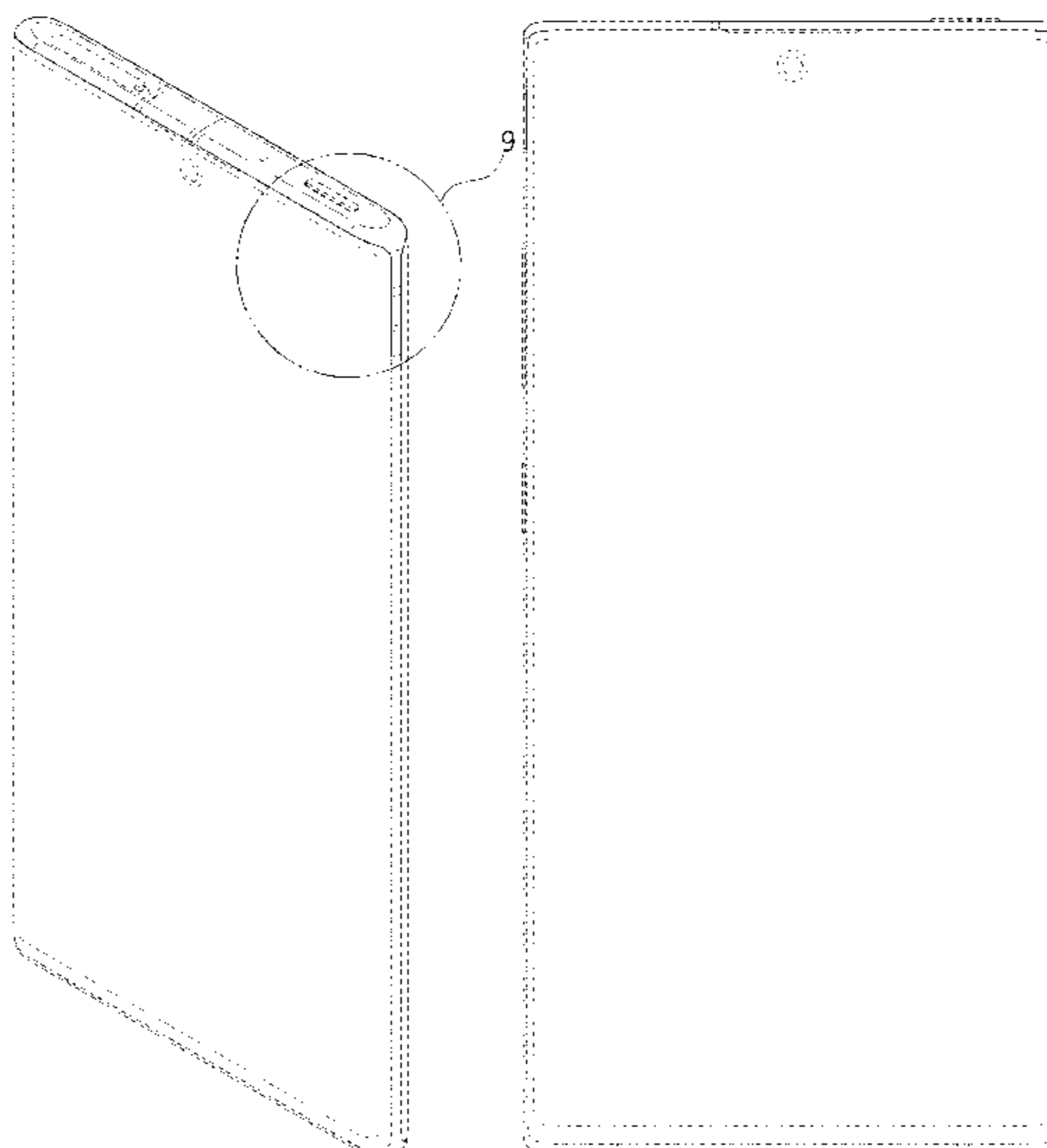
The dashed broken lines in the drawings depict portions of the mobile phone that form no part of the claimed design. The dot-dash broken lines in the drawings define the boundaries of the claimed design and form no part thereof. The dot-dot-dash broken lines in the drawings encircle portions of the claimed design that are illustrated in enlargements and form no part of the claimed design.

(56) **References Cited**

**U.S. PATENT DOCUMENTS**

D676,011 S \* 2/2013 Park ..... D14/138 G  
D699,700 S \* 2/2014 Yoo ..... D14/138 G  
(Continued)

**1 Claim, 10 Drawing Sheets**



(56)

**References Cited**

U.S. PATENT DOCUMENTS

D713,373 S \* 9/2014 Hibi ..... D14/138 G  
 D730,859 S \* 6/2015 Kaneta ..... D14/138 G  
 D742,347 S \* 11/2015 Kim ..... D14/138 G  
 D746,245 S \* 12/2015 Ryu ..... D14/138 G  
 D750,588 S \* 3/2016 Kim ..... D14/138 G  
 D781,804 S \* 3/2017 Park ..... D14/138 G  
 D783,565 S \* 4/2017 Kim ..... D14/138 G  
 D788,728 S \* 6/2017 Kim ..... D14/138 AA  
 D801,297 S \* 10/2017 Song ..... D14/138 G  
 D813,186 S \* 3/2018 Lee ..... D14/138 G  
 D833,407 S \* 11/2018 Kim ..... D14/138 G  
 D863,246 S \* 10/2019 Fan ..... D14/138 AD  
 D864,142 S \* 10/2019 Fan ..... D14/138 AD  
 D866,496 S \* 11/2019 Kim ..... D14/138 G  
 D868,050 S \* 11/2019 Song ..... D14/248  
 D881,831 S \* 4/2020 Song ..... D14/138 G

D881,861 S \* 4/2020 Song ..... D14/248  
 D881,862 S \* 4/2020 Song ..... D14/248  
 D881,864 S \* 4/2020 Song ..... D14/248  
 D882,558 S \* 4/2020 Song ..... D14/248  
 D890,113 S \* 7/2020 Ma ..... D14/138 G  
 D898,712 S \* 10/2020 Park ..... D14/248  
 D901,472 S \* 11/2020 Kim ..... D14/248  
 D914,632 S \* 3/2021 Kim ..... D14/138 G

OTHER PUBLICATIONS

Samsung Galaxy Note10 5G, announced Aug. 2019, [online],  
 [retrieved on Apr. 21, 2021]. Retrieved from Internet ,<URL:  
<http://www.gsmarena.com>>.\*  
 Samsung Galaxy Note9, announced Aug. 9, 2018, [online], [retrieved  
 on Apr. 21, 2021]. Retrieved from Internet ,<URL: <http://www.gsmarena.com>>.\*

\* cited by examiner

FIG. 1

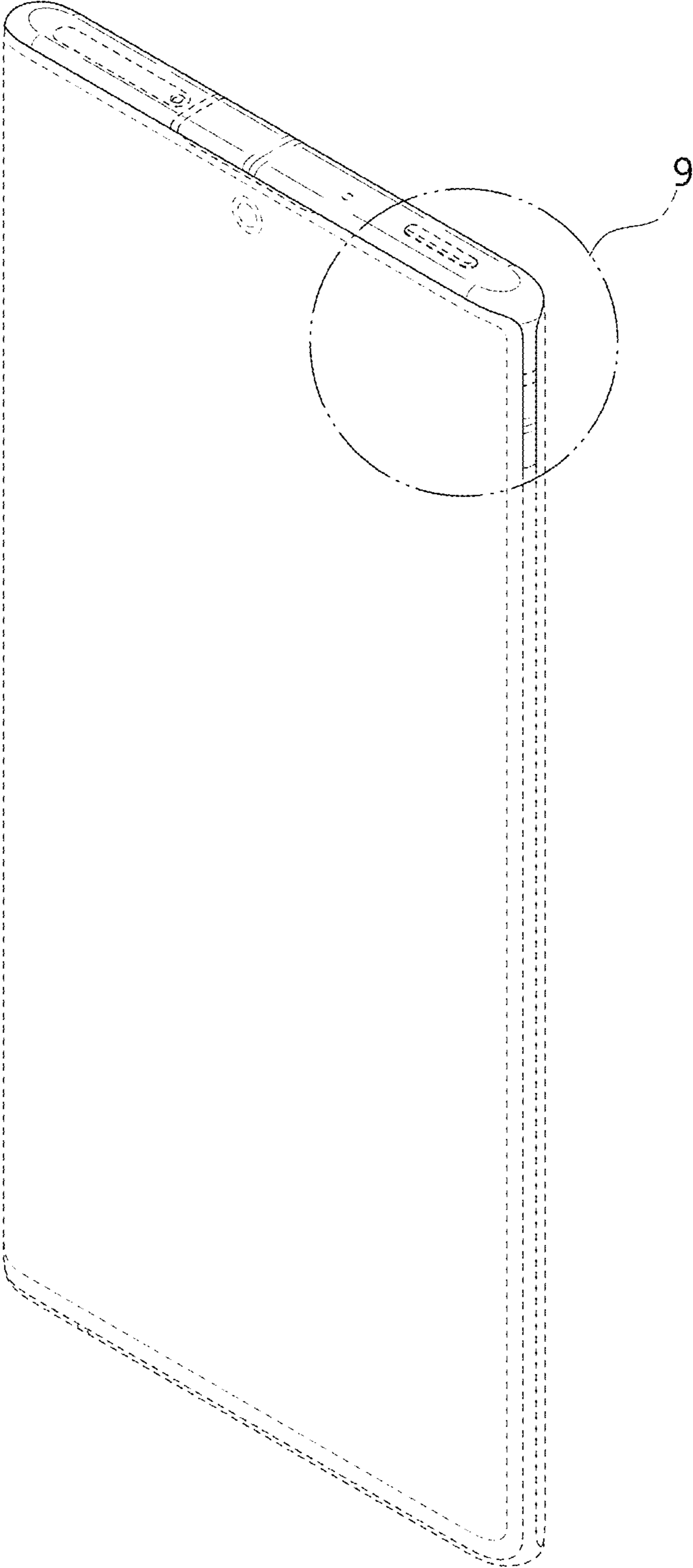


FIG. 2



FIG. 3



FIG. 4

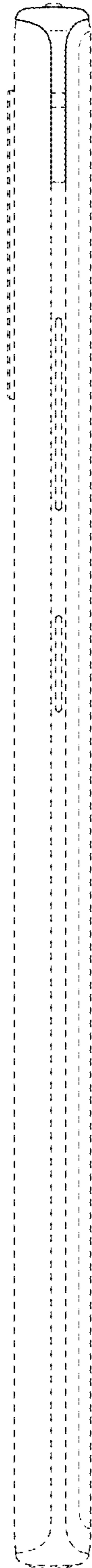


FIG. 5

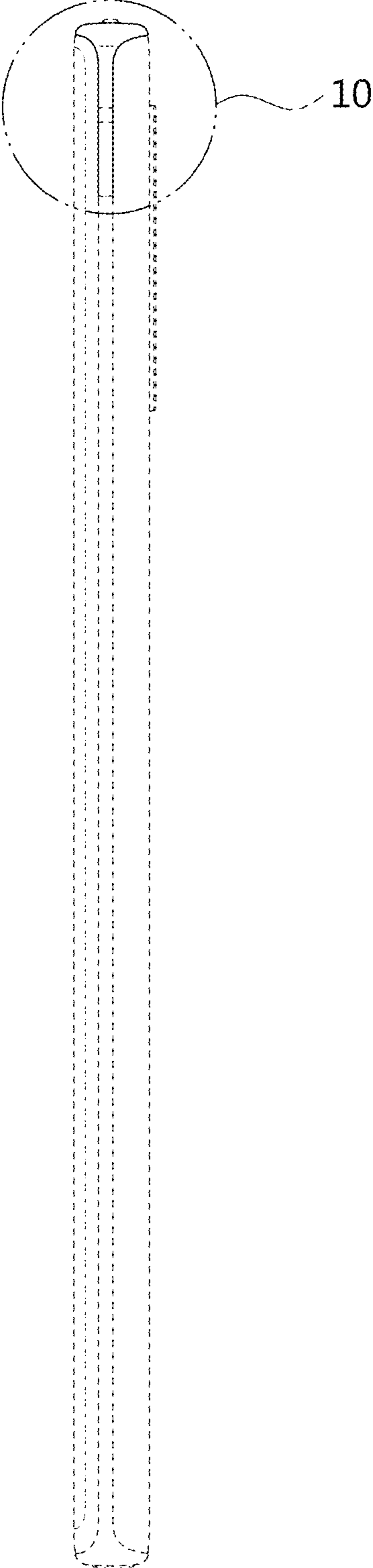


FIG. 6

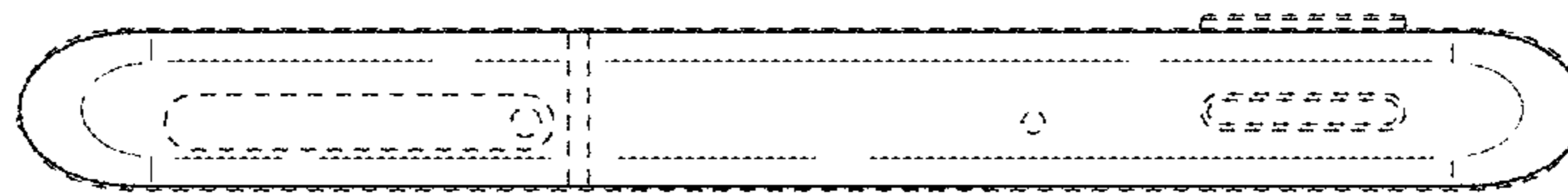




FIG. 7

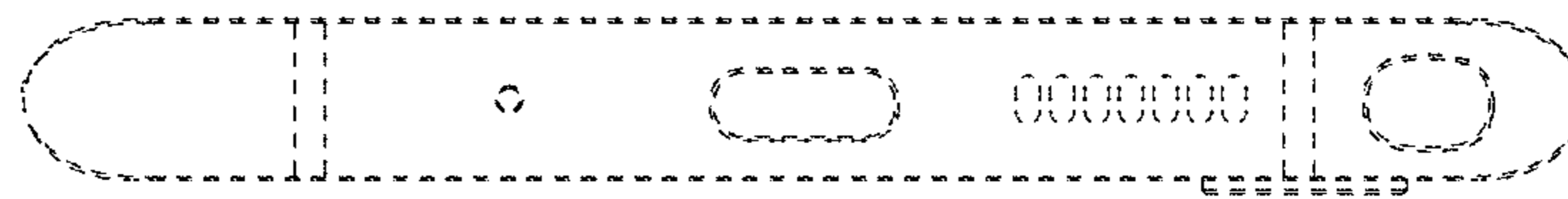


FIG. 8

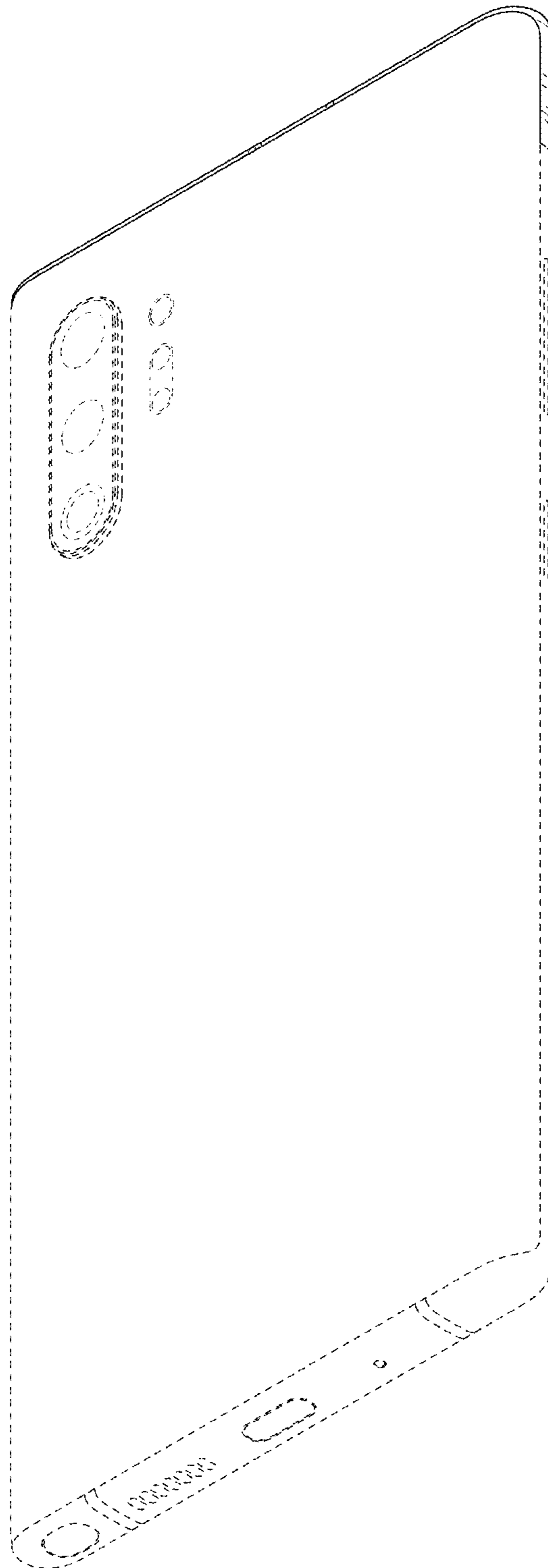


FIG. 9

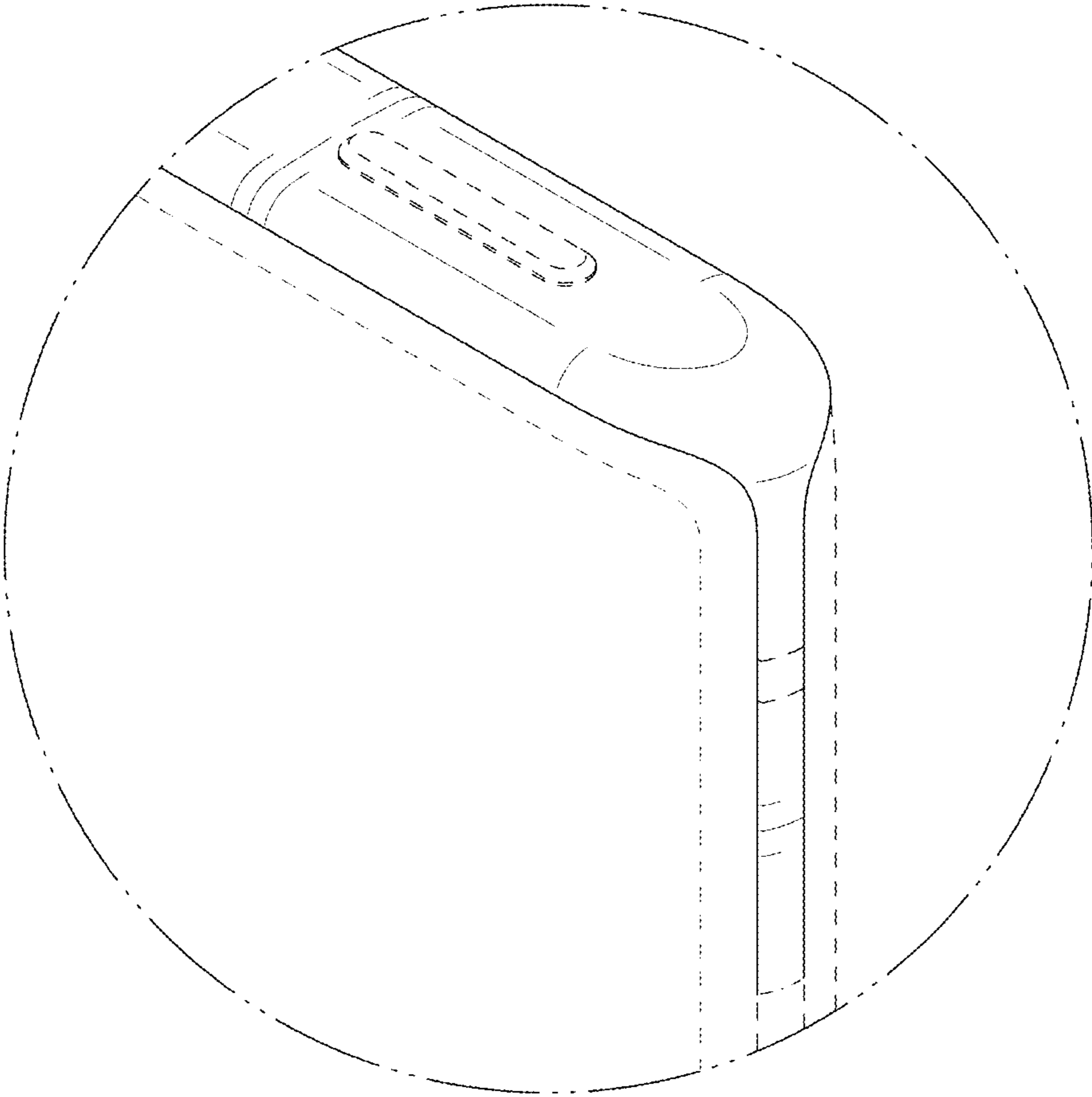


FIG. 10

