



US00D924213S

(12) **United States Design Patent** (10) **Patent No.:** **US D924,213 S**  
**Choi et al.** (45) **Date of Patent:** **\*\* Jul. 6, 2021**

(54) **TELEVISION RECEIVER**

(71) Applicant: **Samsung Electronics Co., Ltd.**,  
Suwon-si (KR)

(72) Inventors: **Gyoo-Sang Choi**, Suwon-si (KR);  
**Bum-Ho Chun**, Suwon-si (KR)

(73) Assignee: **SAMSUNG ELECTRONICS CO., LTD.**,  
Suwon-si (KR)

(\*\*) Term: **15 Years**

(21) Appl. No.: **29/725,711**

(22) Filed: **Feb. 26, 2020**

(30) **Foreign Application Priority Data**

Sep. 3, 2019 (KR) ..... 30-2019-0042402

(51) **LOC (13) Cl.** ..... **14-03**

(52) **U.S. Cl.**  
USPC ..... **D14/239**

(58) **Field of Classification Search**  
USPC ..... D14/211, 238, 251, 253, 371-382,  
D14/125-129, 336, 337, 447, 448, 451,  
D14/452, 492, 450, 239; 341/12;  
345/104, 156, 168, 173; 348/180, 184,  
348/325, 739; 349/1, 2, 11, 62;  
(Continued)

(56) **References Cited**

**U.S. PATENT DOCUMENTS**

D716,777 S \* 11/2014 Kim ..... D14/239  
D730,613 S \* 5/2015 Woller ..... D34/33  
(Continued)

**FOREIGN PATENT DOCUMENTS**

CN 303415680 S 10/2015  
EM 000899992-0017 4/2008  
(Continued)

*Primary Examiner* — Katie Jane Stofko

(74) *Attorney, Agent, or Firm* — McAndrews Held & Malloy, Ltd.

(57) **CLAIM**

The ornamental design for a television receiver, as shown and described.

**DESCRIPTION**

FIG. 1 is a front perspective view of a television receiver showing our new design;

FIG. 2 is a front elevation view thereof;

FIG. 3 is a rear elevation view thereof;

FIG. 4 is a left side elevation view thereof;

FIG. 5 is a right side elevation view thereof;

FIG. 6 is a top plan view thereof;

FIG. 7 is a bottom plan view thereof;

FIG. 8 is a rear perspective view thereof;

FIG. 9 is a front perspective view of a television receiver showing the stand of the television receiver separately for clarity of illustration;

FIG. 10 is a front elevation view thereof;

FIG. 11 is a rear elevation view thereof;

FIG. 12 is a left side elevation view thereof;

FIG. 13 is a right side elevation view thereof;

FIG. 14 is a top plan view thereof;

FIG. 15 is a bottom plan view thereof;

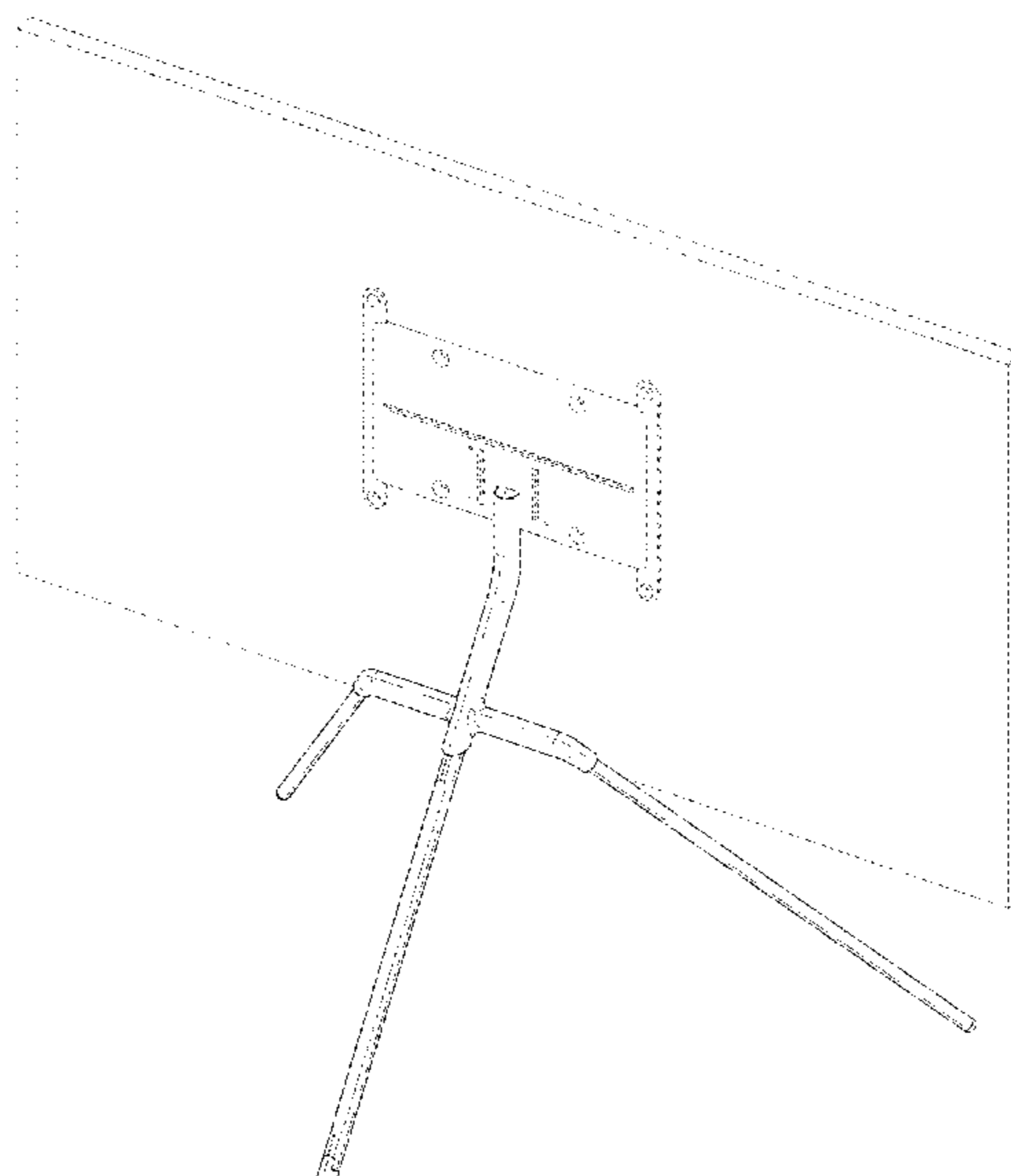
FIG. 16 is a rear perspective view thereof;

FIG. 17 is an enlarged view of the portion 17 delineated in FIG. 9; and,

FIG. 18 is an enlarged view of the portion 18 delineated in FIG. 12.

The evenly dashed broken lines in the drawings illustrate portions of the television receiver that form no part of the claimed design. The dot-dash broken lines in the drawings delineate portions of the design that are illustrated in enlargements and form no part of the claimed design.

**1 Claim, 18 Drawing Sheets**



(58) **Field of Classification Search**

USPC ..... 361/679.05–679.07, 679.21; D6/300,  
D6/310–313, 308, 708  
CPC ..... F16M 13/02; F16M 13/00; F16M 11/10;  
F16M 11/04; F16M 2200/08; F16M  
11/2021; A47B 21/0314; A47B 88/044;  
A47B 2021/0335; H02G 3/126; F16B  
47/00; F16B 47/006; A47G 1/17; A47K  
2201/00

See application file for complete search history.

(56) **References Cited**

U.S. PATENT DOCUMENTS

D747,562 S \* 1/2016 Alford ..... D30/121  
D790,516 S \* 6/2017 Lee ..... D14/239  
D818,996 S \* 5/2018 So ..... D14/239  
D818,997 S \* 5/2018 So ..... D14/239  
D818,998 S \* 5/2018 Lee ..... D14/239  
D819,617 S \* 6/2018 Hubert ..... D14/239  
D822,670 S \* 7/2018 Hubert ..... D14/451  
10,587,903 B2 \* 3/2020 Park ..... H04N 21/4316  
D905,651 S \* 12/2020 Lee ..... D14/126  
D905,652 S \* 12/2020 Lee ..... D14/126  
2019/0262682 A1 \* 8/2019 McGetrick ..... A63B 63/08

FOREIGN PATENT DOCUMENTS

EM 002367961-0002 4/2008  
KR 300659444 9/2012  
KR 300751779 7/2014  
KR 300881331 11/2016

\* cited by examiner

FIG. 1

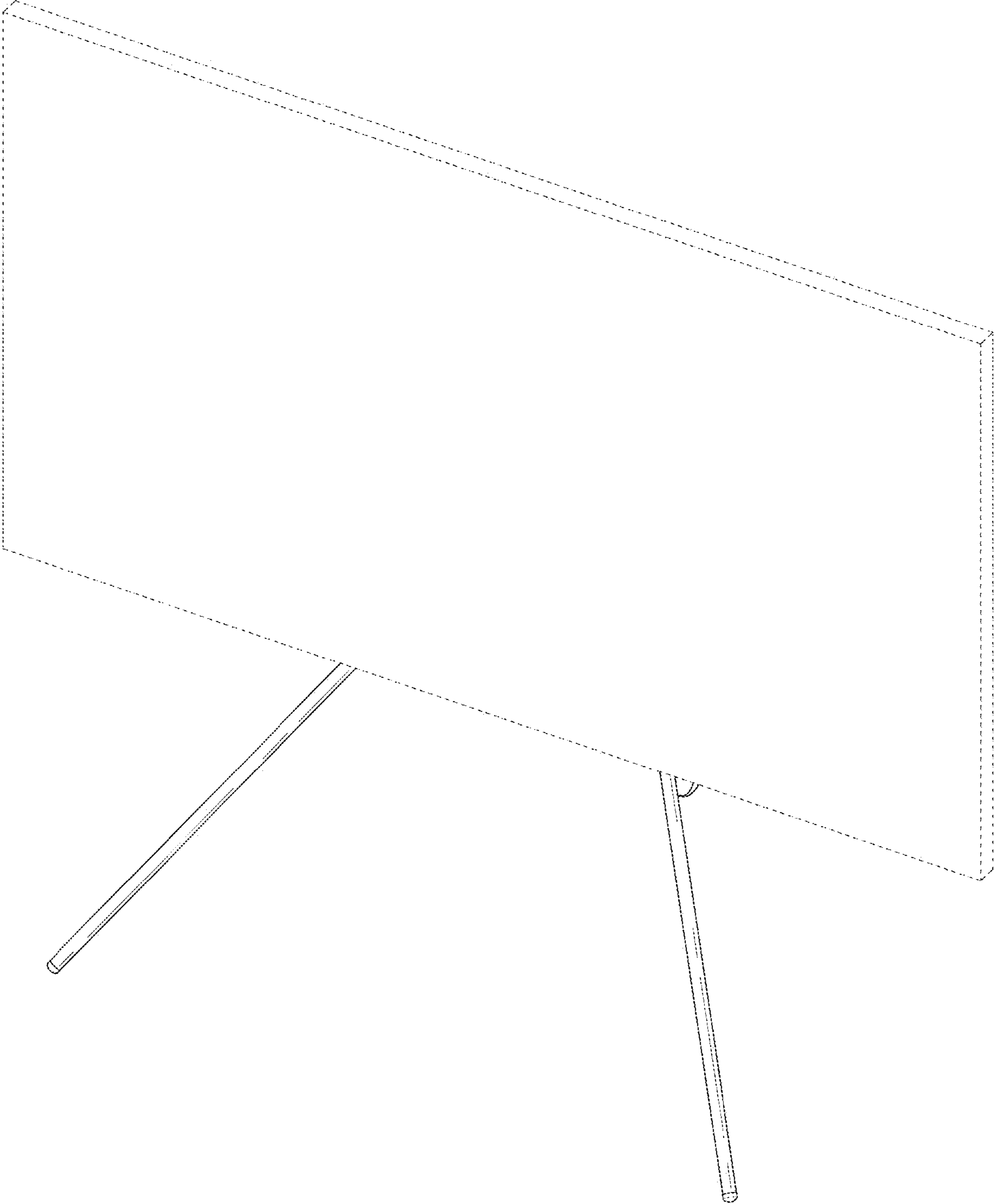


FIG. 2

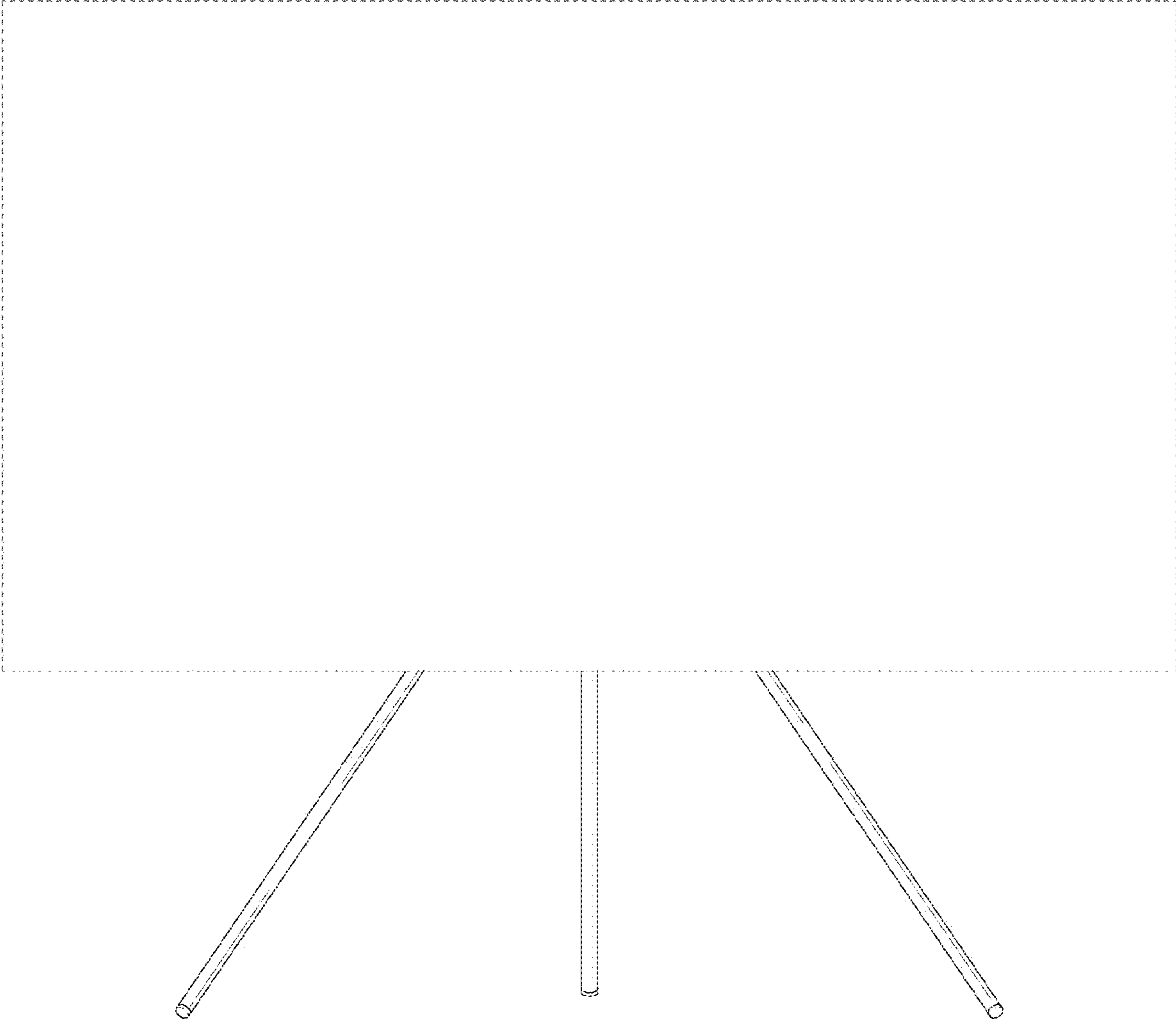


FIG. 3

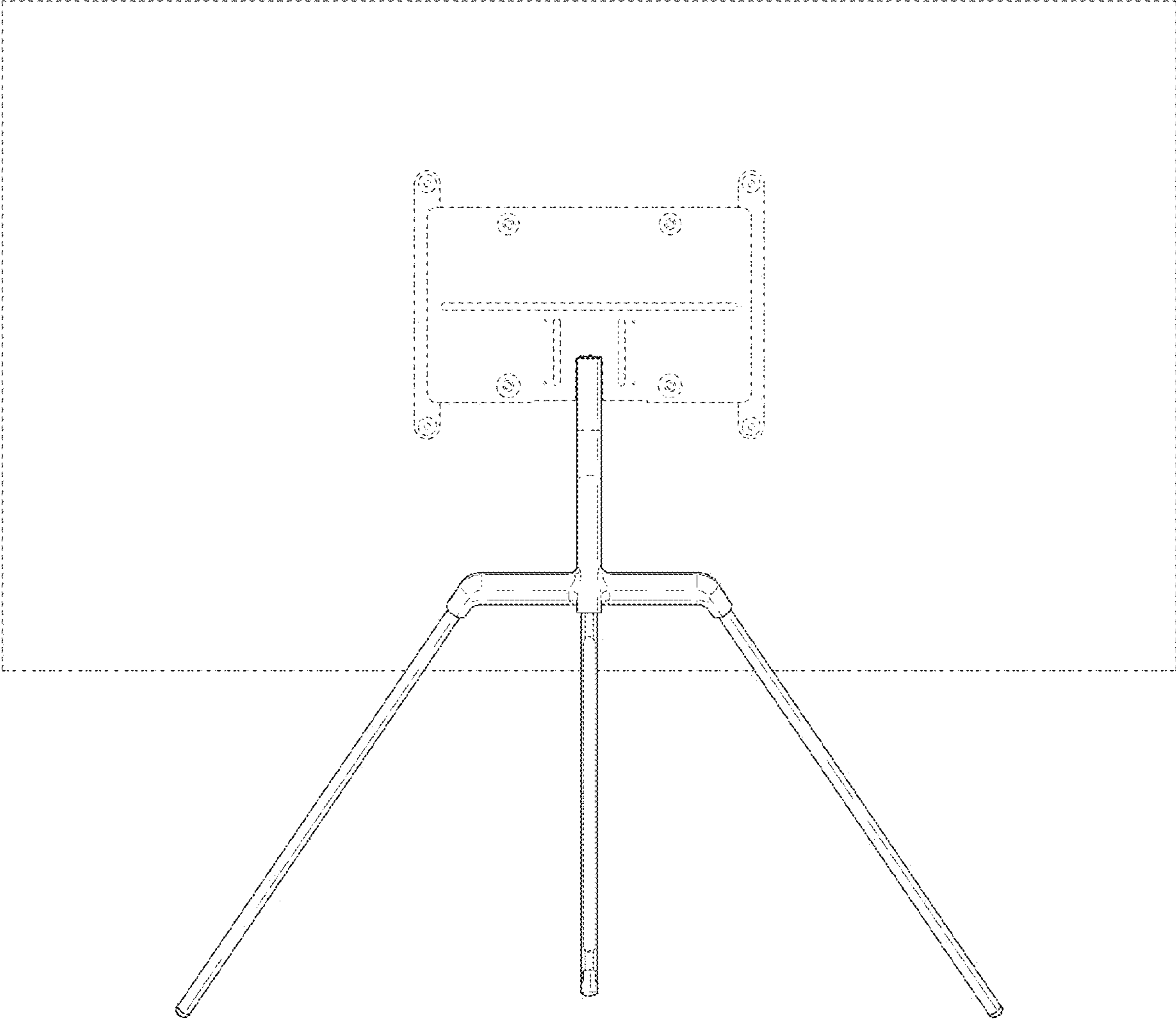


FIG. 4

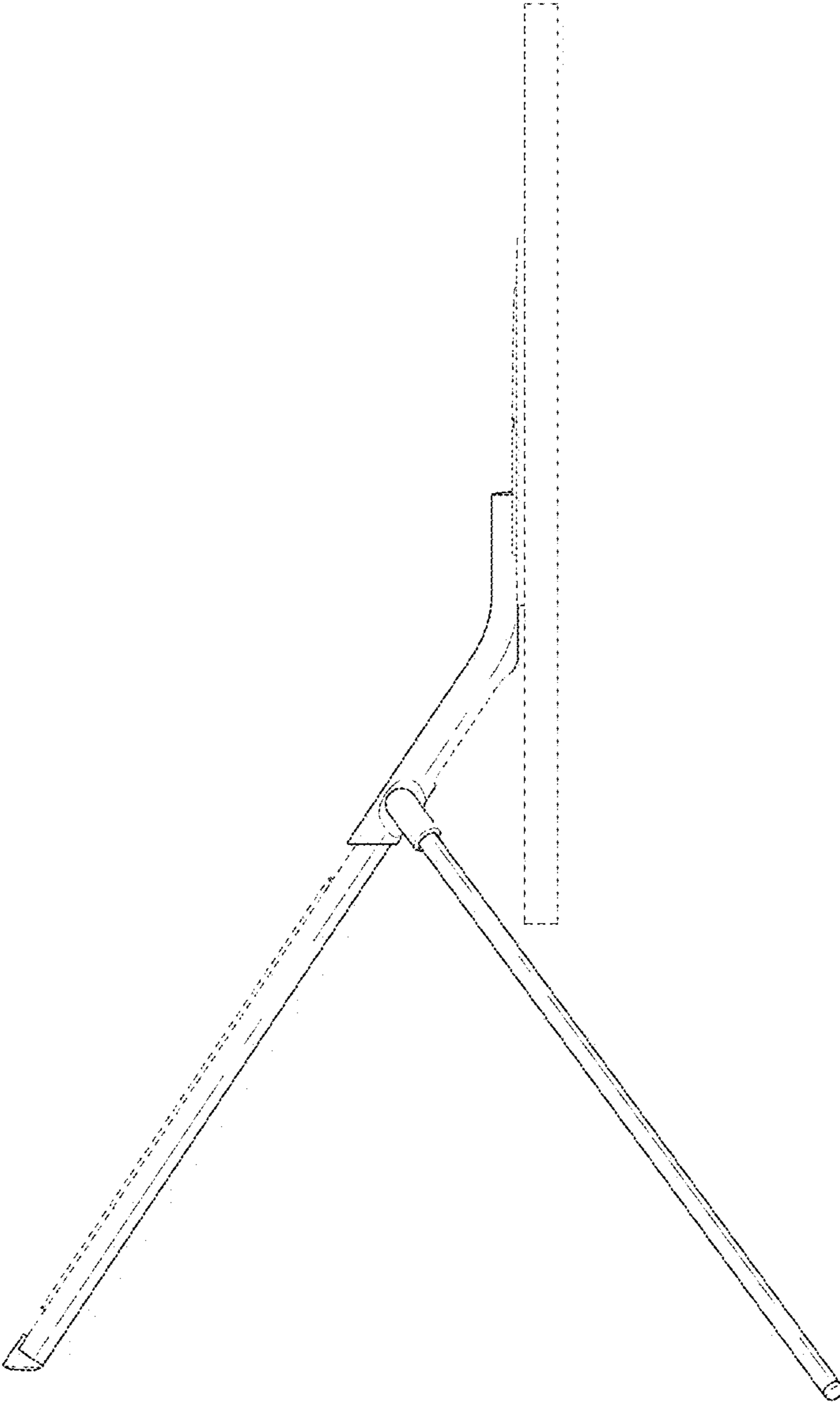


FIG. 5

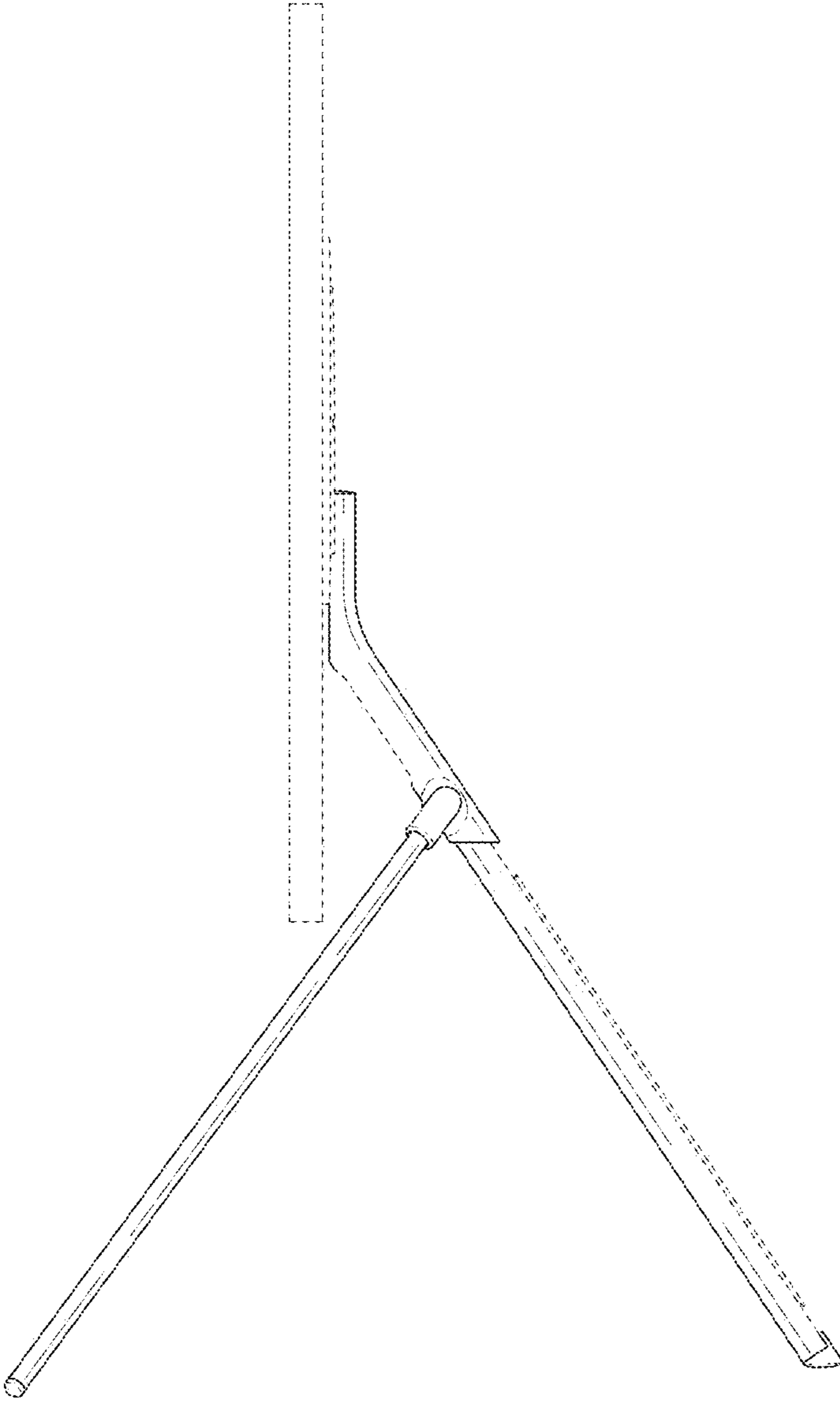


FIG. 6

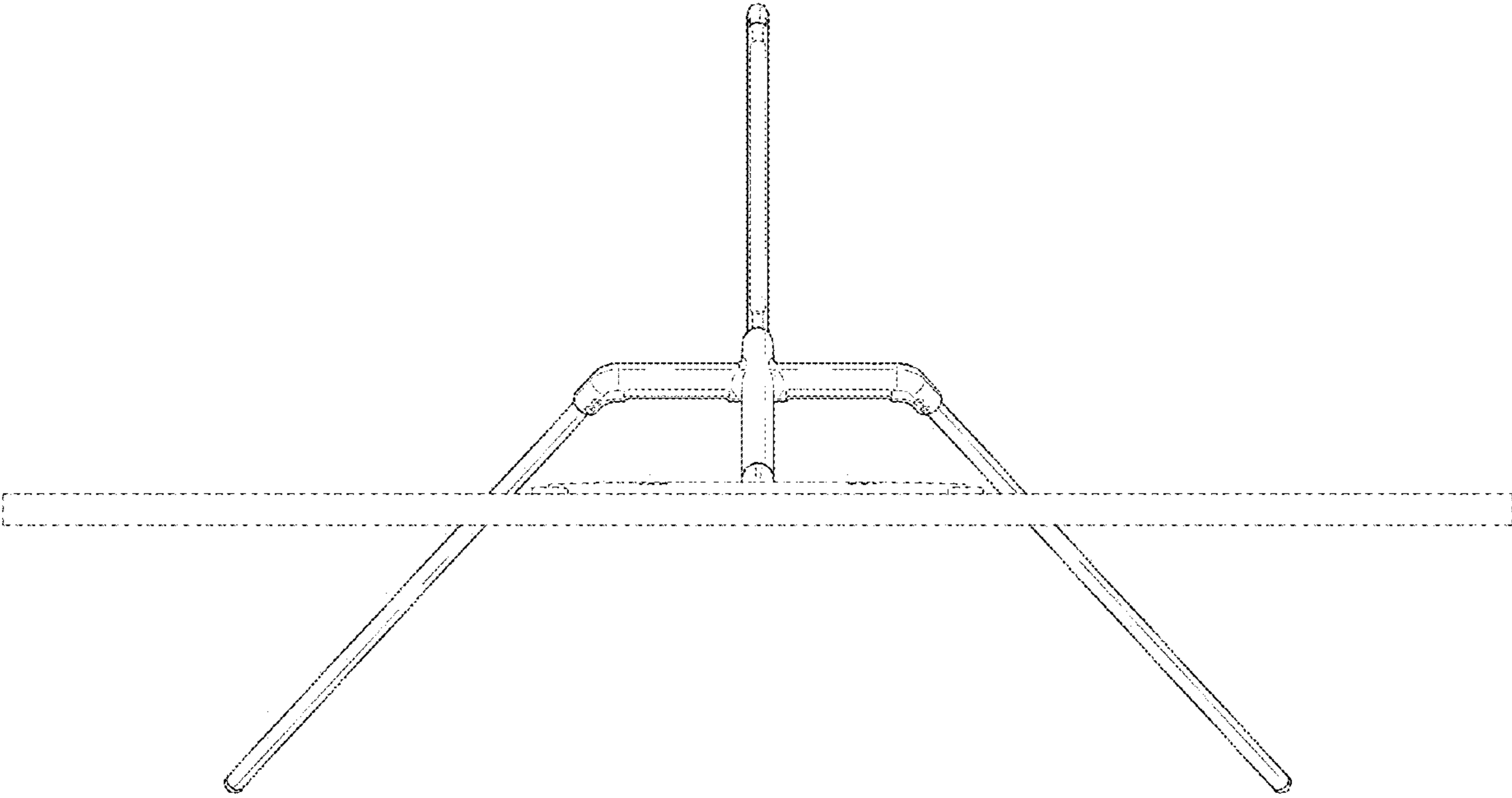




FIG. 7

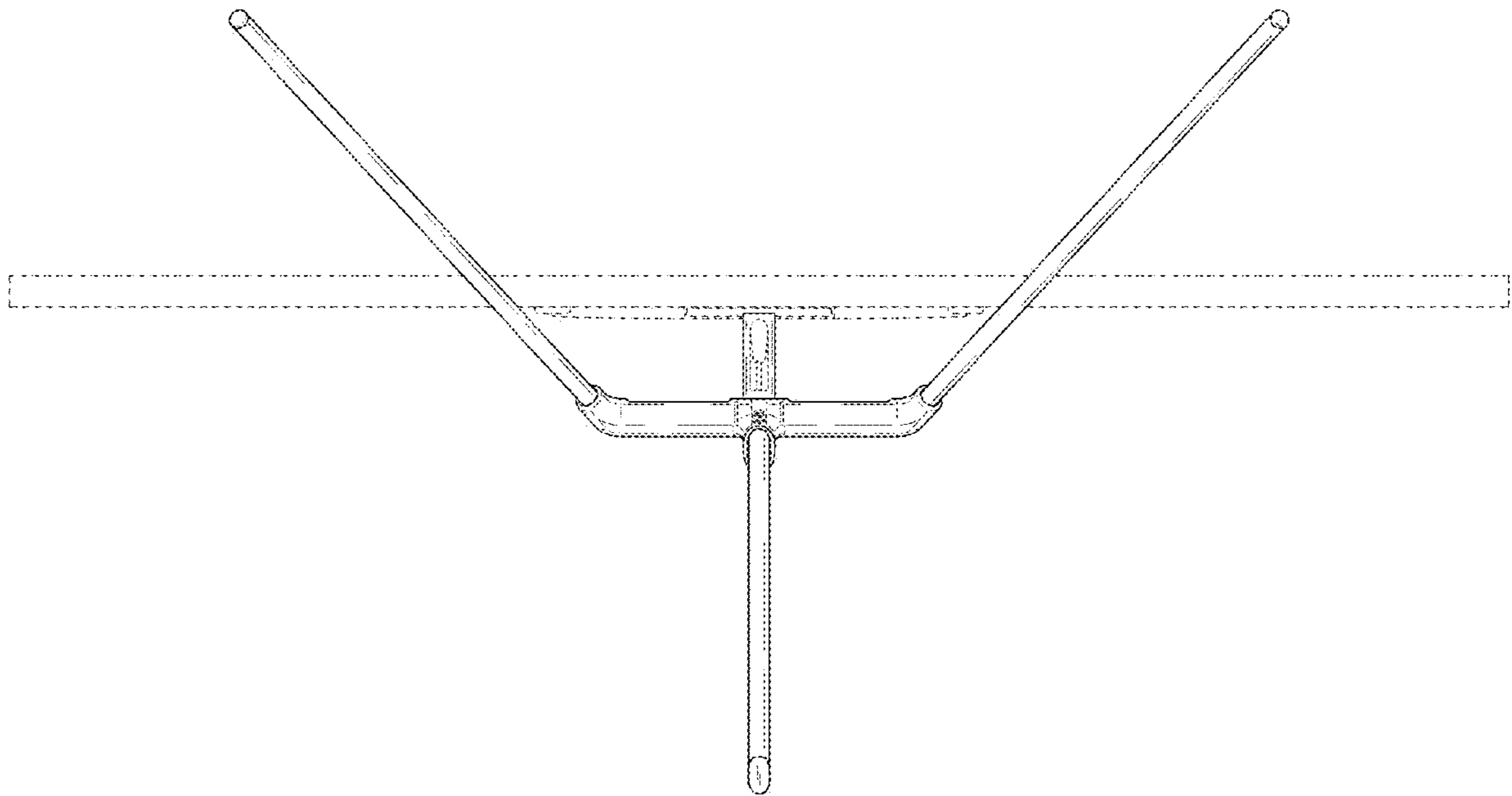


FIG. 8

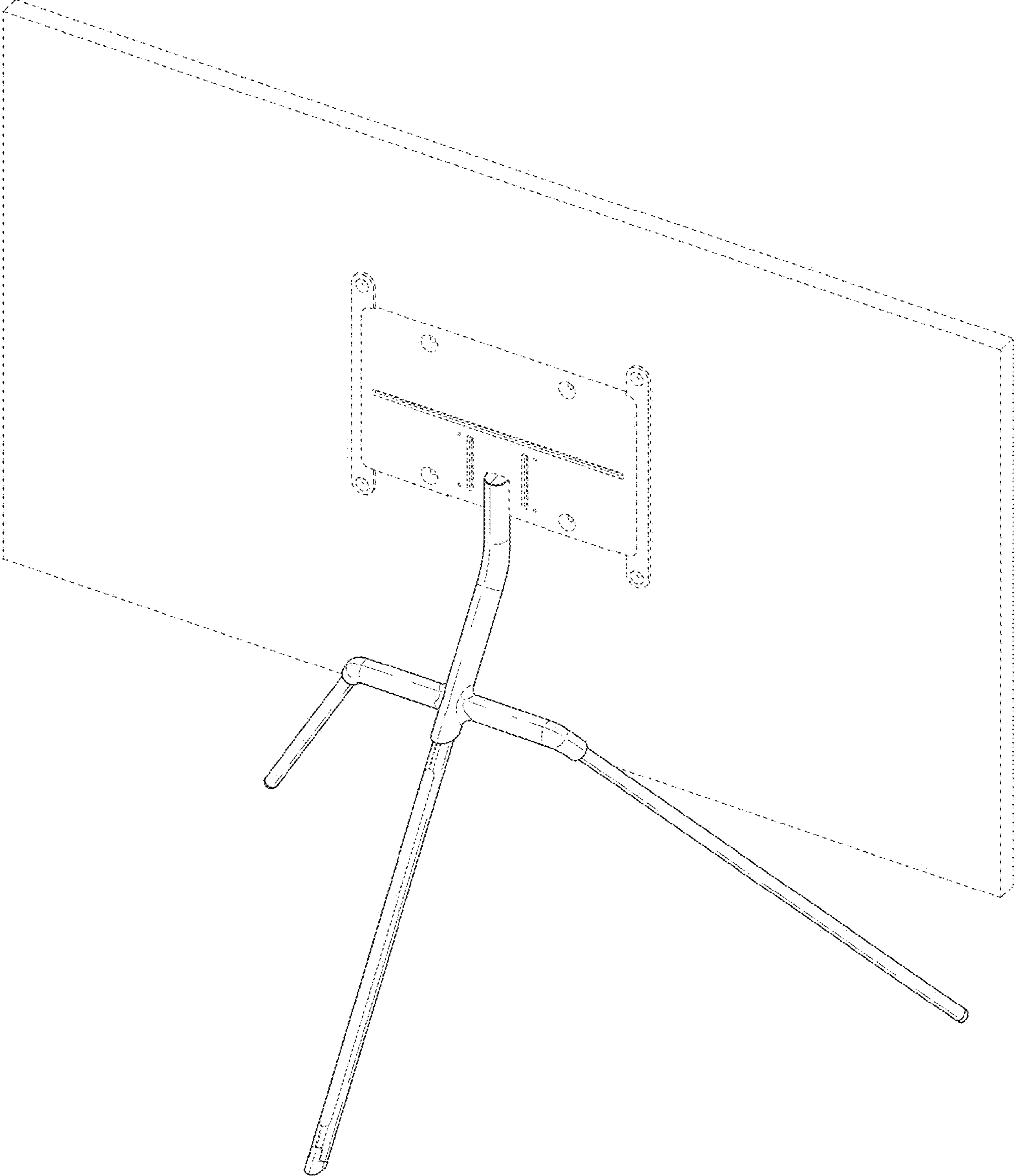


FIG. 9

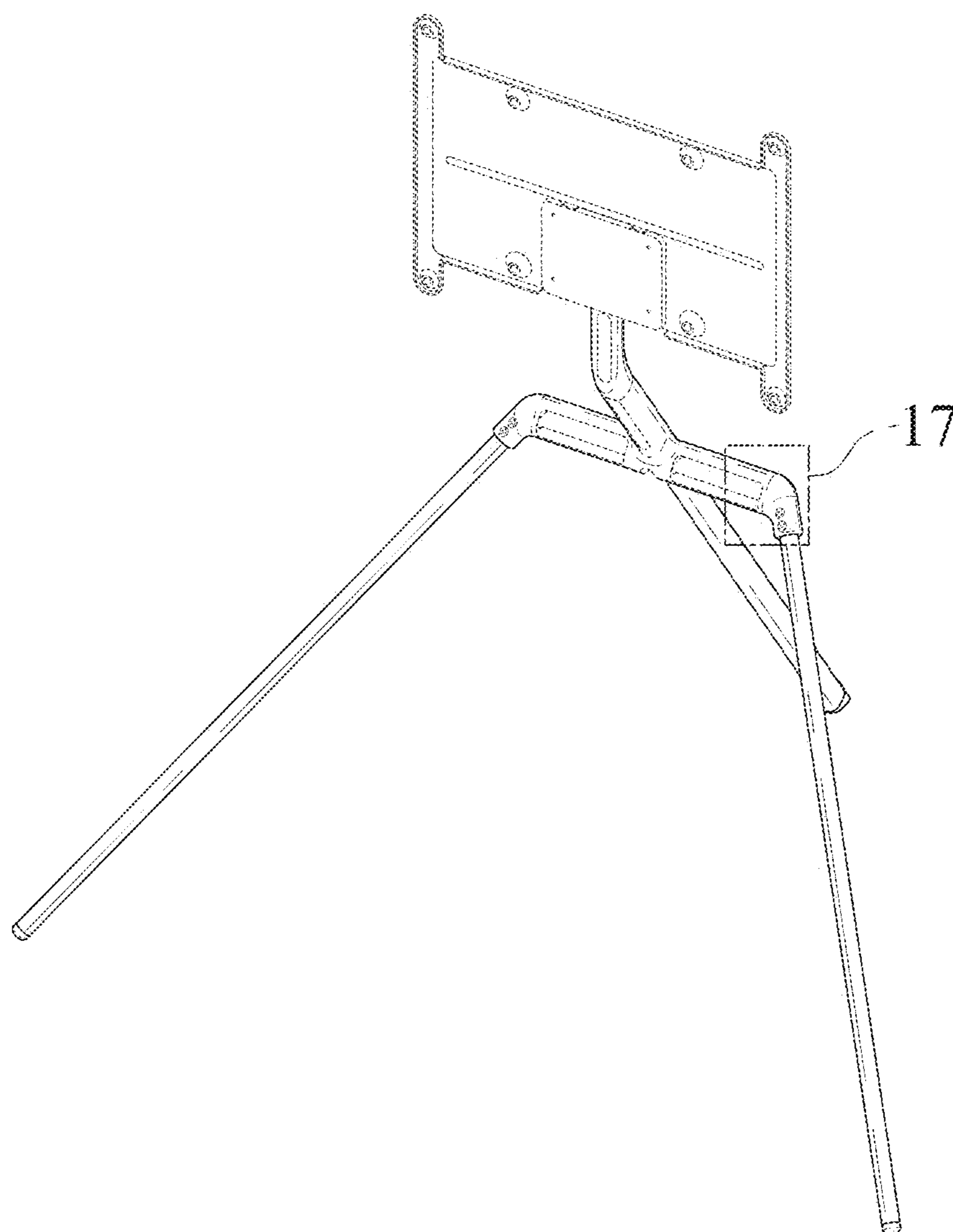


FIG. 10

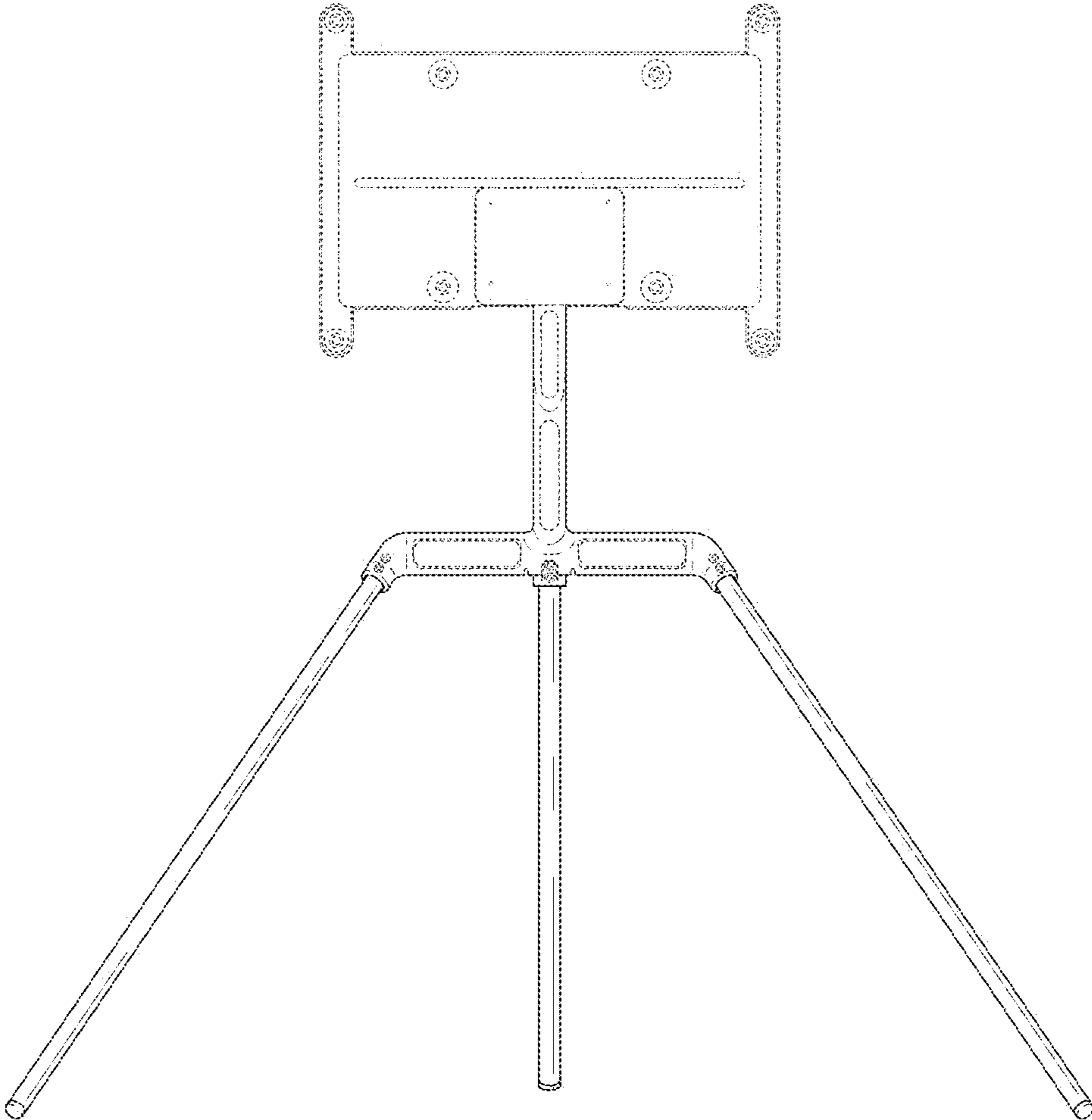


FIG. 11

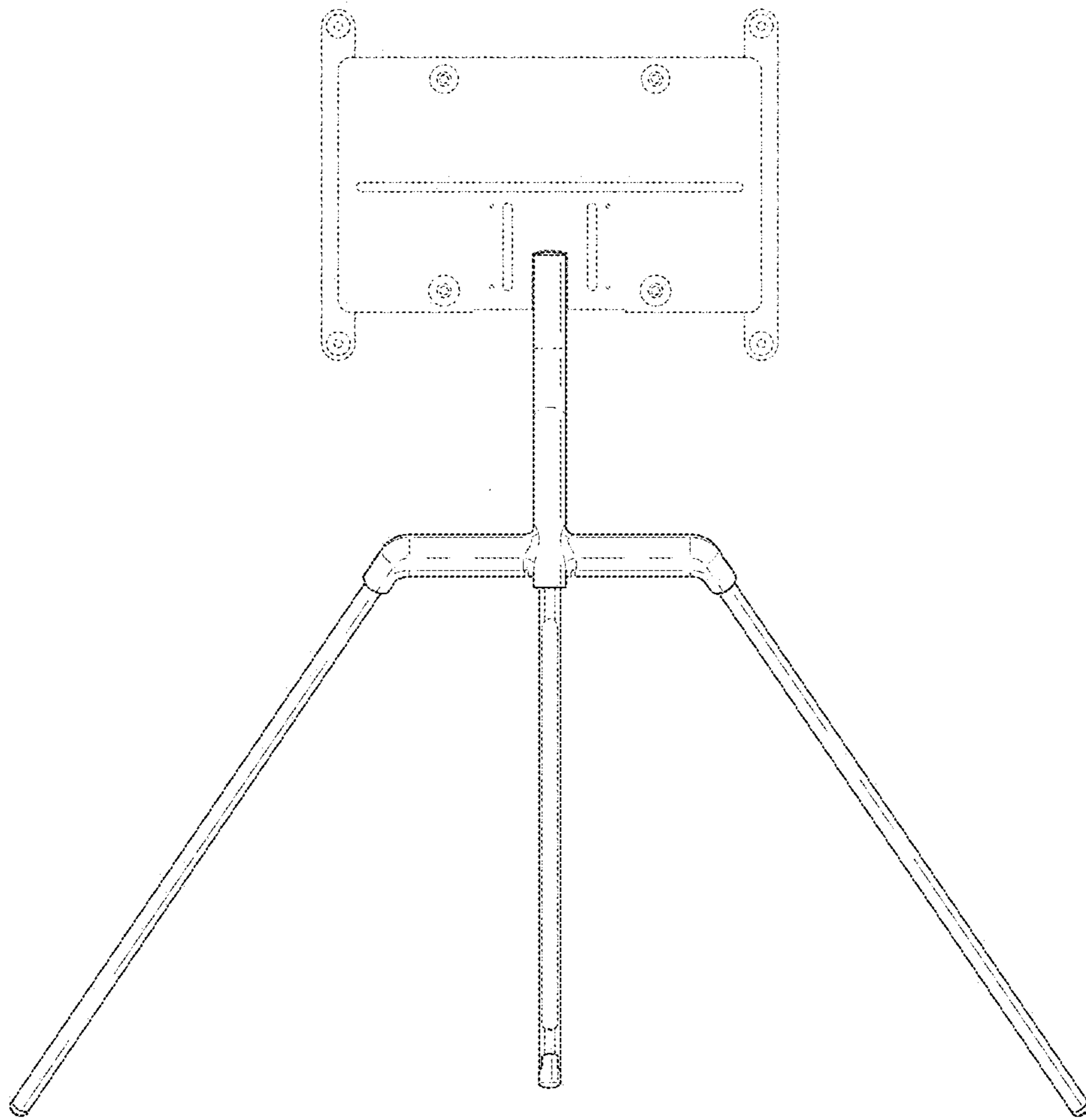


FIG. 12

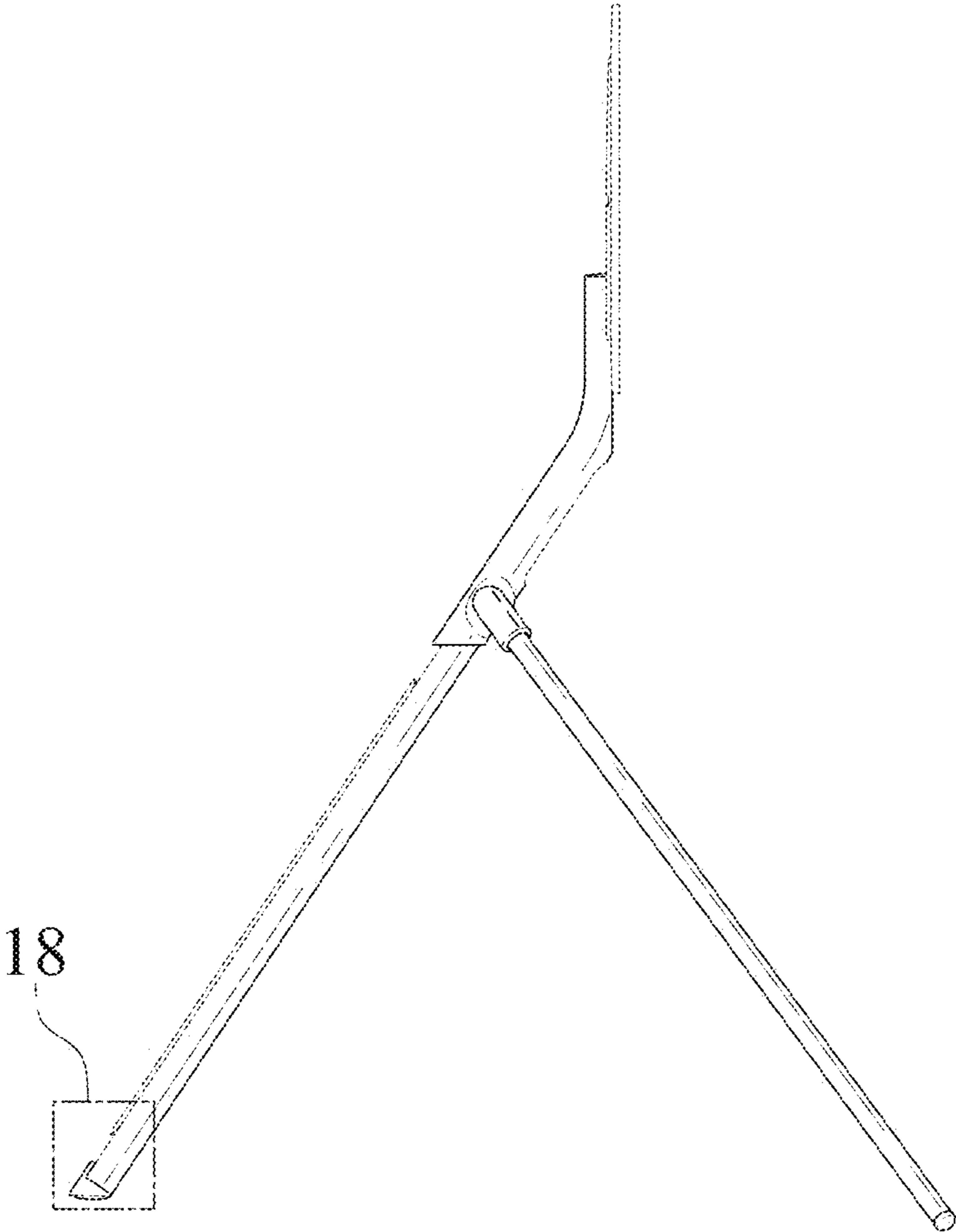


FIG. 13

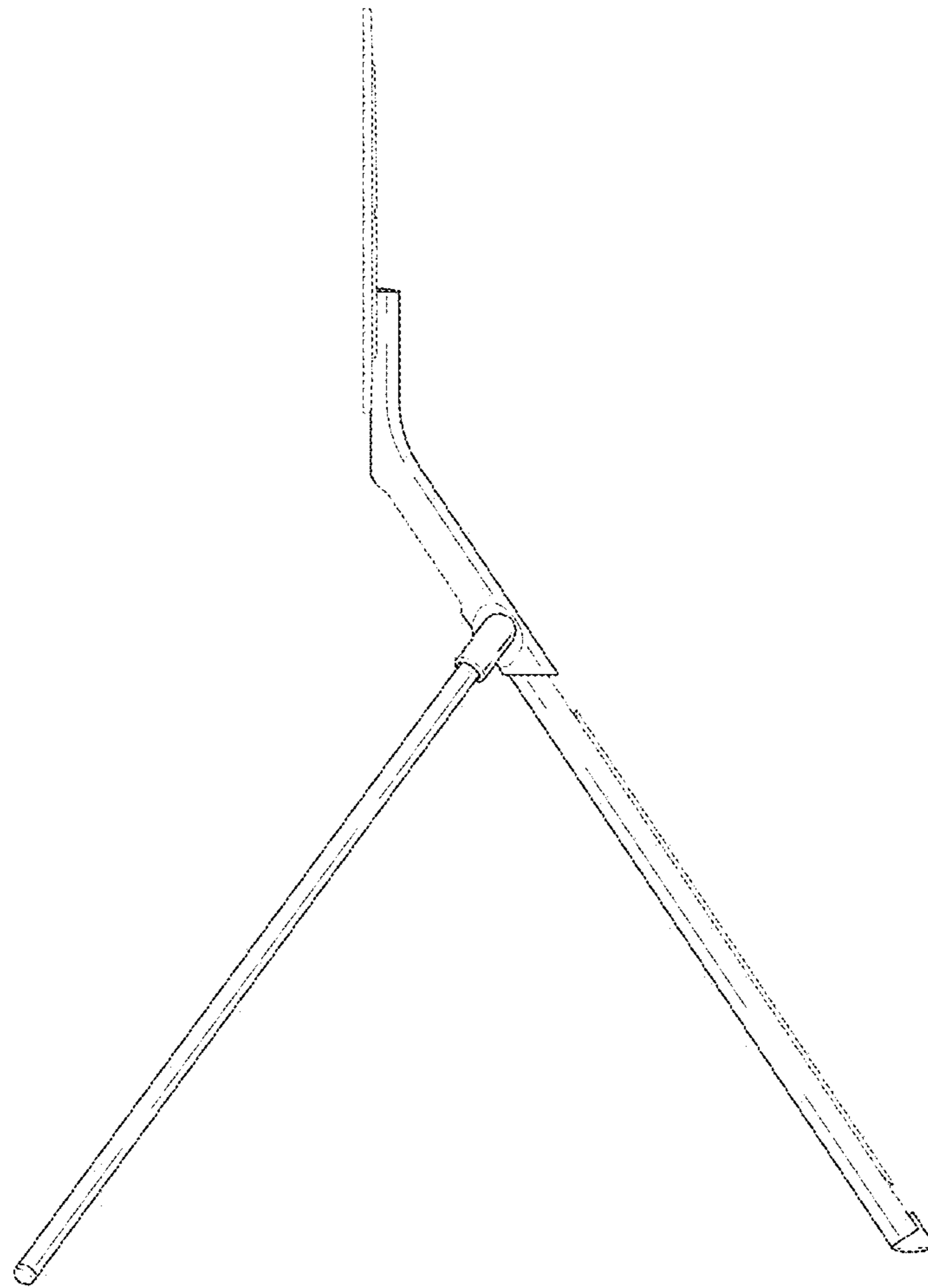


FIG. 14

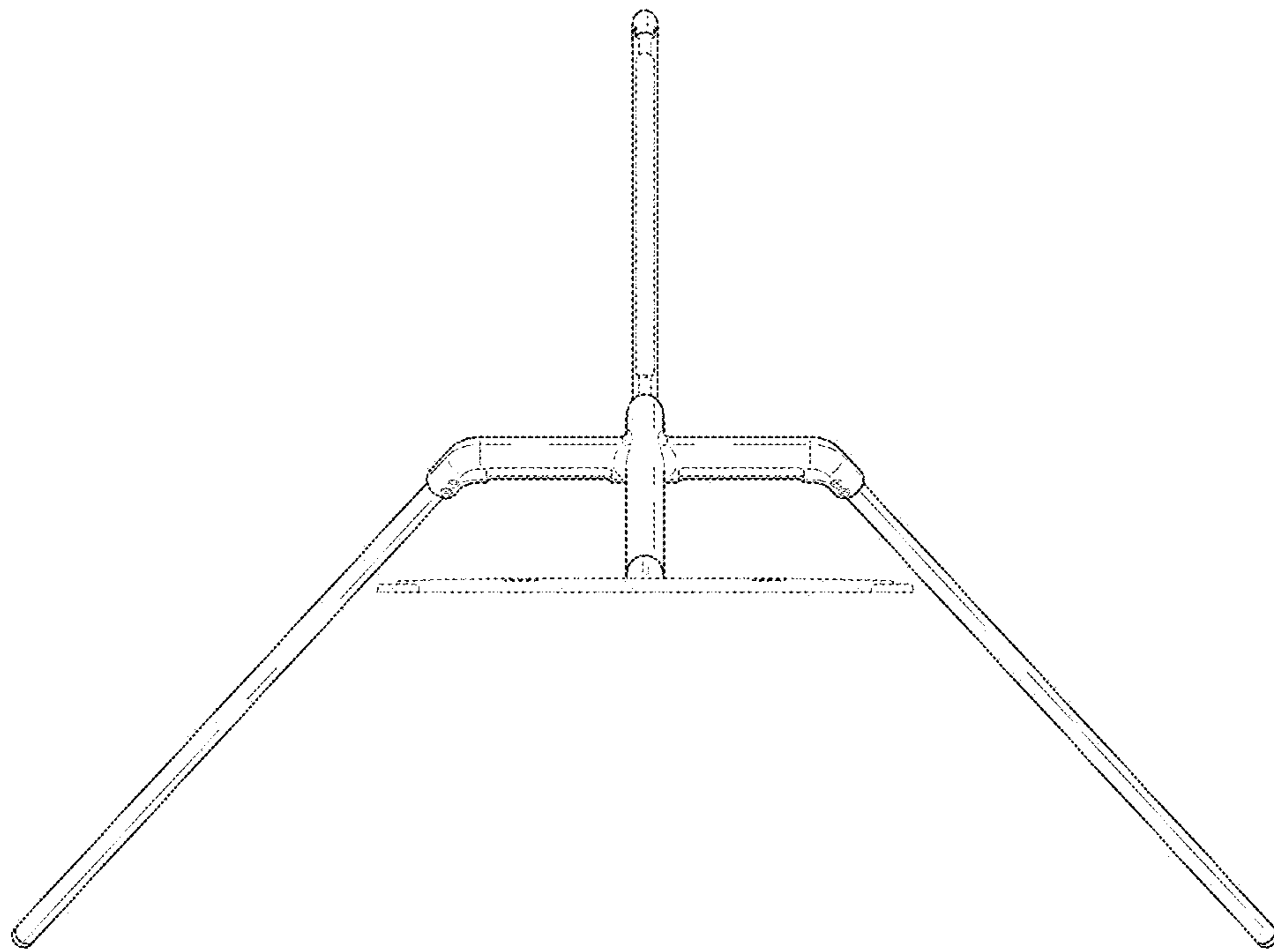




FIG. 15

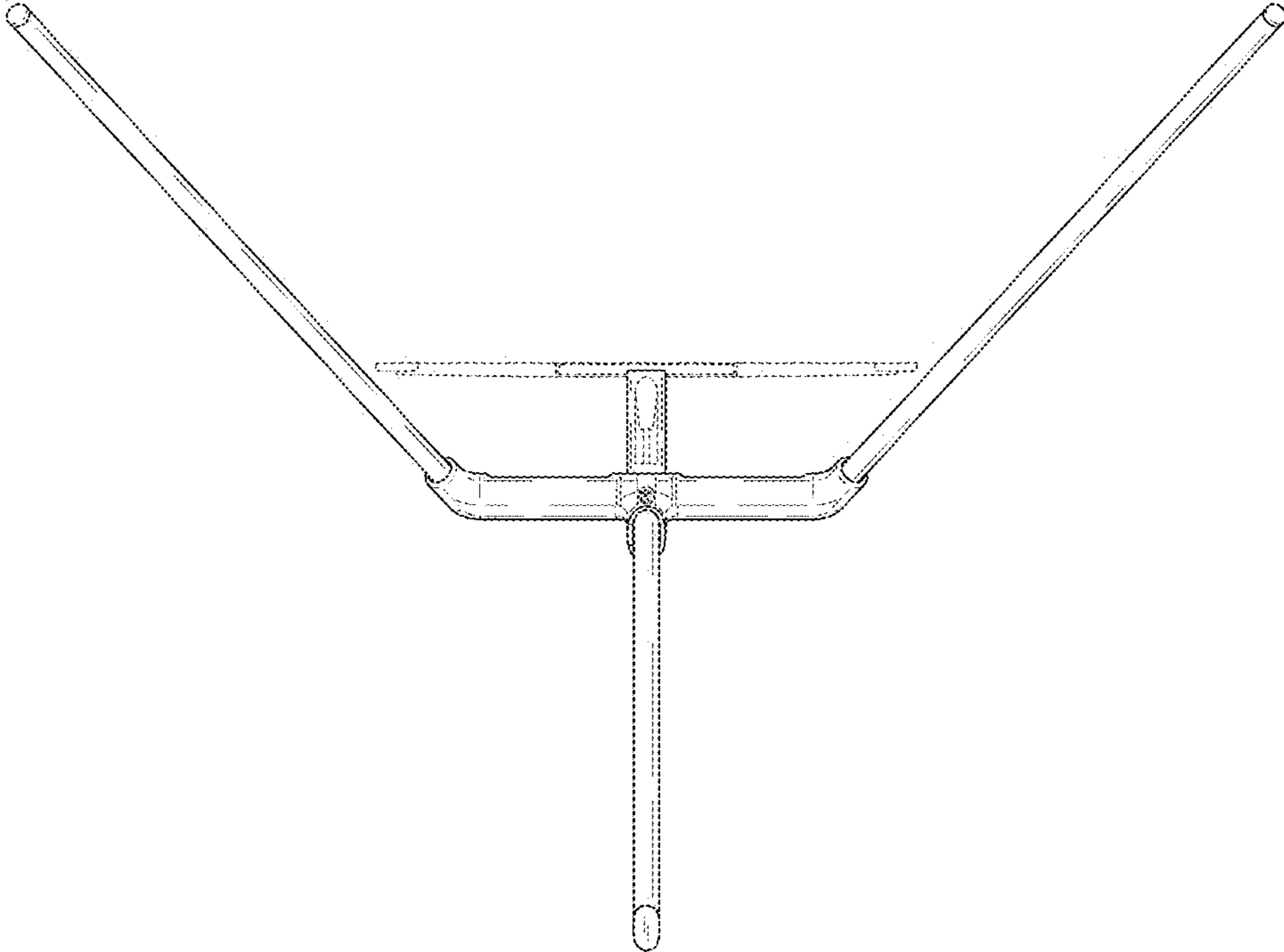


FIG. 16

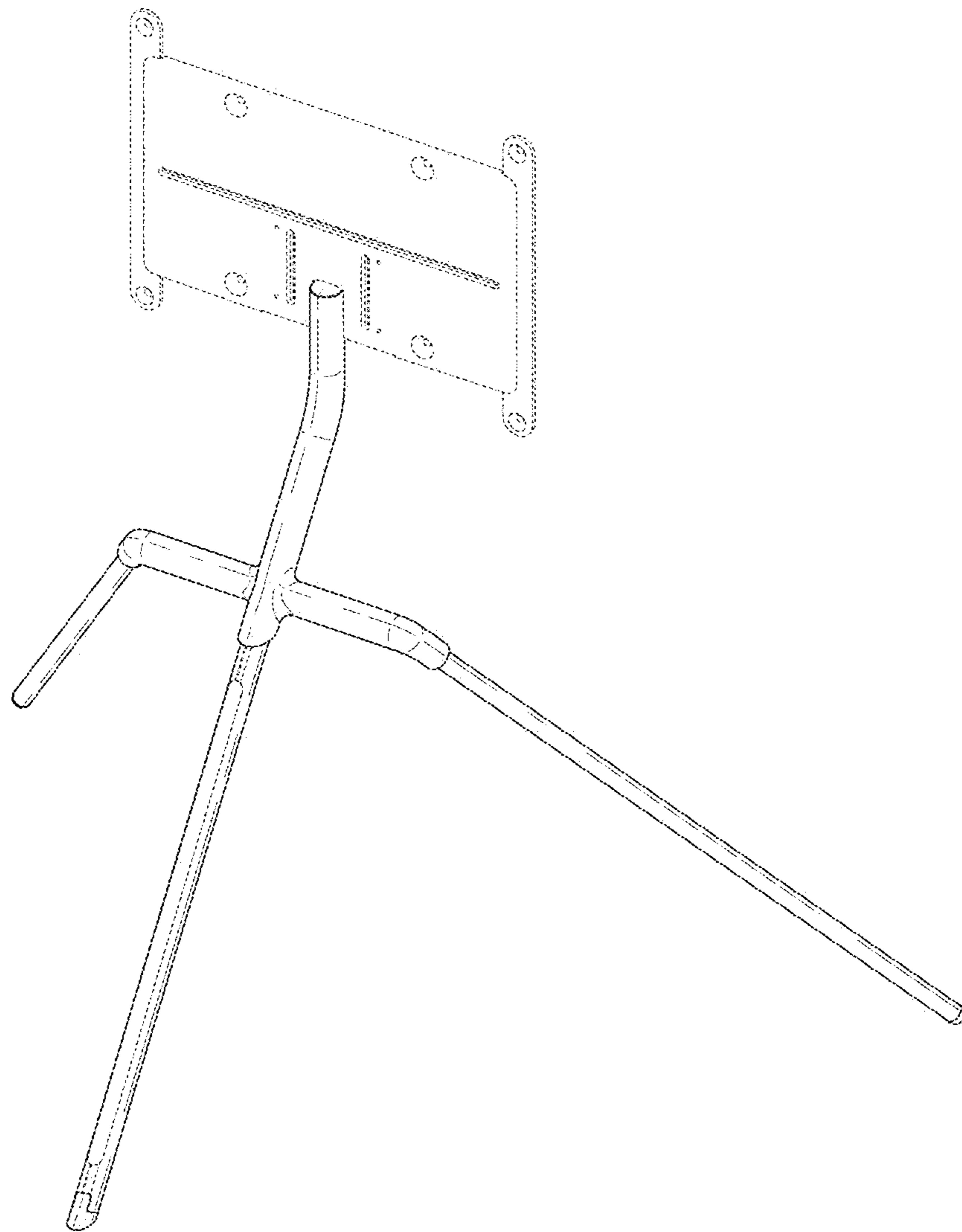


FIG. 17

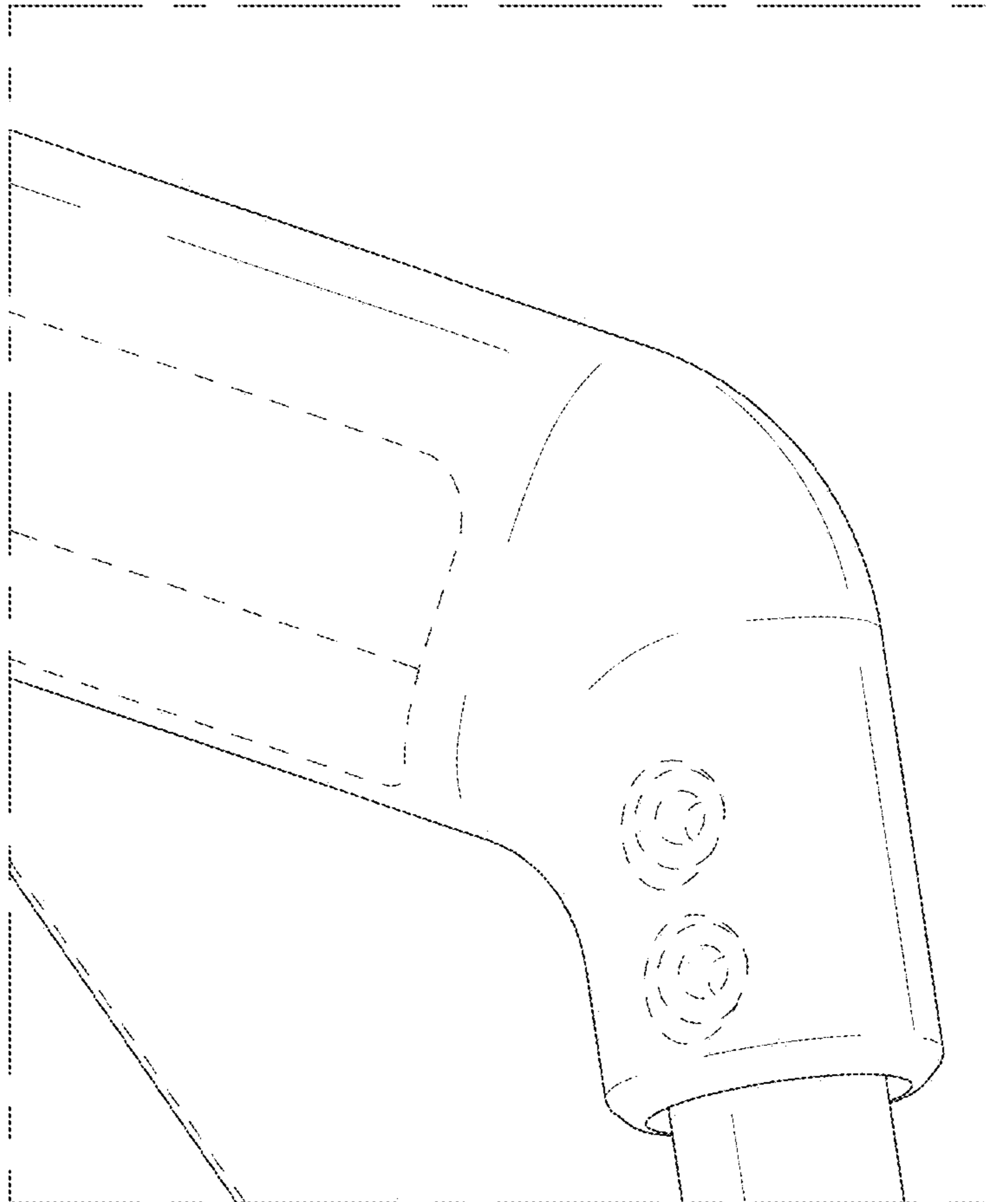


FIG. 18

