



US00D924211S

(12) **United States Design Patent**  
**Corley et al.**

(10) **Patent No.:** **US D924,211 S**

(45) **Date of Patent:** **\*\* Jul. 6, 2021**

- (54) **RADAR CARGO ACCESSORY**
- (71) Applicant: **BlackBerry Limited**, Waterloo (CA)
- (72) Inventors: **Cortez Corley**, Waterloo (CA); **Enliang Wang**, Kitchener (CA); **Yu Gao**, Waterloo (CA); **Scott Leonard Dill**, Paris (CA)
- (73) Assignee: **BlackBerry Limited**, Waterloo (CA)
- (\*\*) Term: **15 Years**
- (21) Appl. No.: **29/689,363**
- (22) Filed: **Apr. 29, 2019**
- (51) **LOC (13) Cl.** ..... **14-03**
- (52) **U.S. Cl.**  
USPC ..... **D14/230**; D10/106.9
- (58) **Field of Classification Search**  
USPC ..... D14/138, 230-238, 299, 358; D12/42, D12/43; D10/106.9  
CPC ..... H01Q 7/00; H01Q 13/10; H01Q 9/285; H01Q 19/30; H01Q 19/12; H01Q 1/38; H01Q 1/36; H04B 1/0475; H04B 1/034; H05K 11/00  
See application file for complete search history.

D850,941 S *	6/2019	Israni .....	D10/65
D868,035 S *	11/2019	Andersson .....	D14/217
D871,377 S *	12/2019	Wechselberger .....	D14/230
D875,086 S *	2/2020	Ahman .....	D14/230
D877,126 S *	3/2020	DeCastro .....	D14/230
D901,462 S *	11/2020	Oba .....	D14/230
2005/0225489 A1 *	10/2005	Aizawa .....	H01Q 1/3275 343/713

**OTHER PUBLICATIONS**

Corley, Cortez, et al.; Design U.S. Appl. No. 29/683,836, filed Mar. 15, 2019; Title: Communication Device Housing; 25 pages.

\* cited by examiner

*Primary Examiner* — John Windmuller

(74) *Attorney, Agent, or Firm* — Conley Rose, P.C.; J. Robert Brown, Jr.

(57) **CLAIM**

The ornamental design for a radar cargo accessory, as shown and described.

**DESCRIPTION**

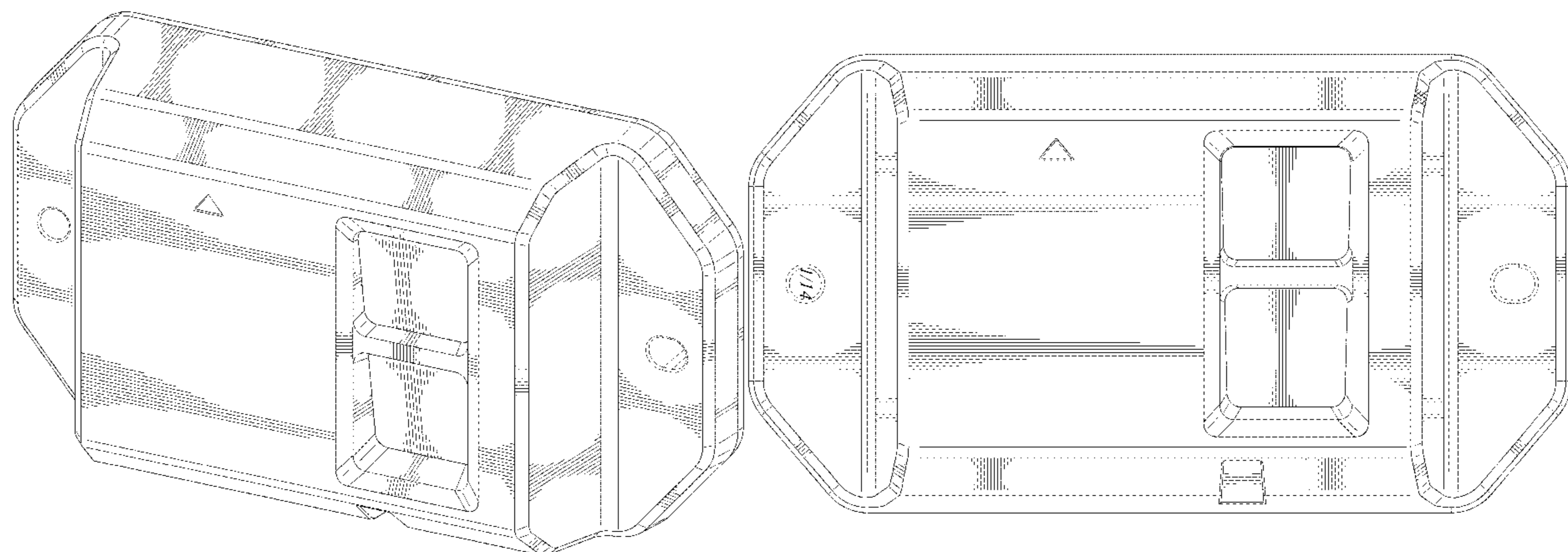
FIG. 1 is a front perspective view of the radar cargo accessory in accordance with the new design; FIG. 2 is a front elevation view thereof; FIG. 3 is a rear elevation view thereof; FIG. 4 is a right side view thereof; FIG. 5 is a left side view thereof; FIG. 6 is a top view thereof; FIG. 7 is a bottom view thereof; and, FIG. 8 is a perspective view thereof in an environment of use.

The broken lines shown in the drawings are only provided to illustrate the environment of the design, and form no part of the claimed design.

**1 Claim, 7 Drawing Sheets**

(56) **References Cited**  
U.S. PATENT DOCUMENTS

D273,786 S *	5/1984	Owerko .....	D13/168
D525,198 S *	7/2006	Ikeda .....	D13/123
D593,078 S *	5/2009	Sato .....	D14/230
D698,272 S *	1/2014	Burstein .....	D10/106.9
D773,330 S *	12/2016	Dietz .....	D10/106.5
D778,750 S	2/2017	Phillips et al.	
D798,757 S	10/2017	Corley et al.	
D808,938 S *	1/2018	Gomez .....	D14/230
D838,203 S *	1/2019	Corley .....	D10/106.9
D843,862 S *	3/2019	Bellows .....	D10/70



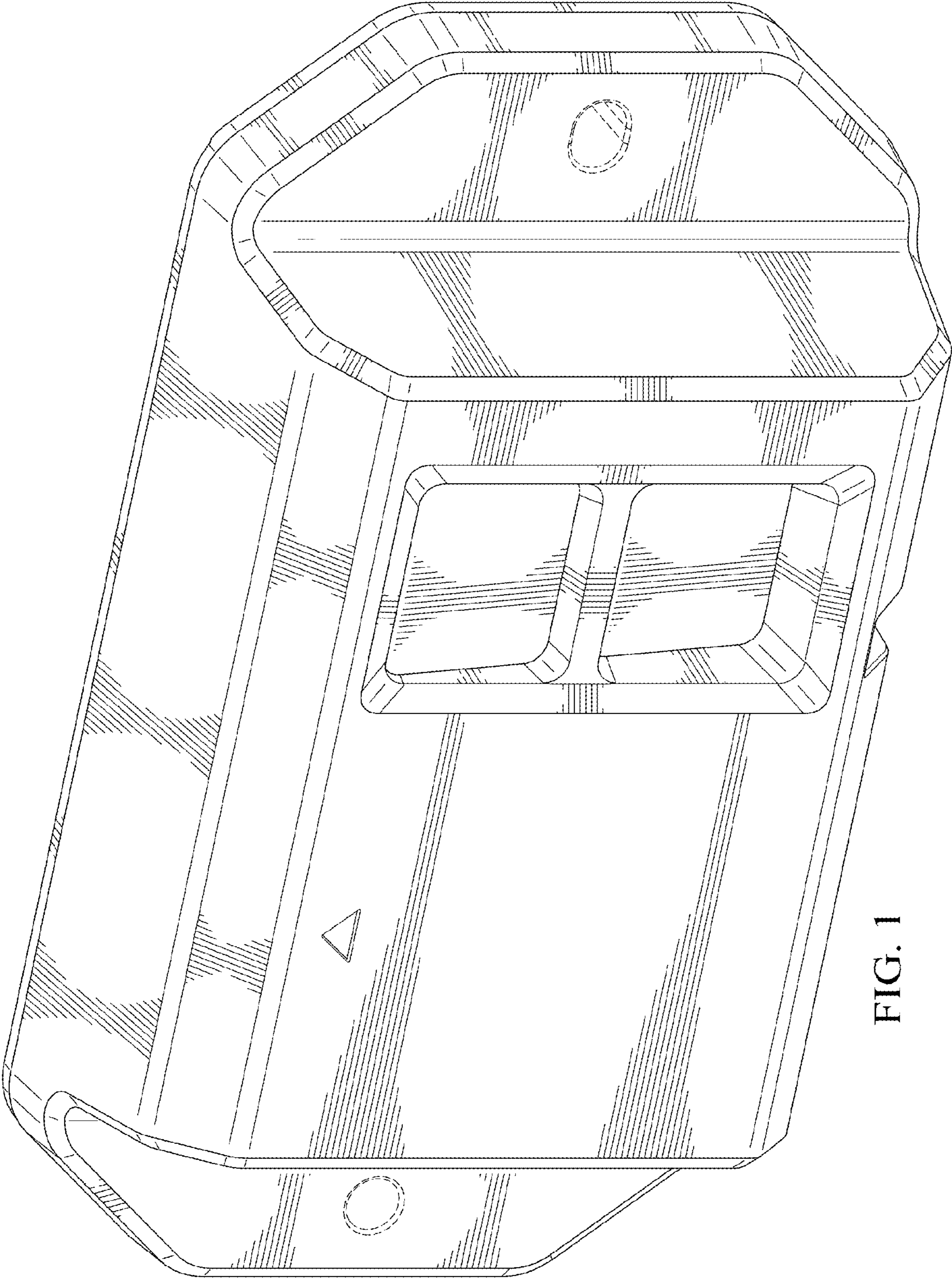


FIG. 1

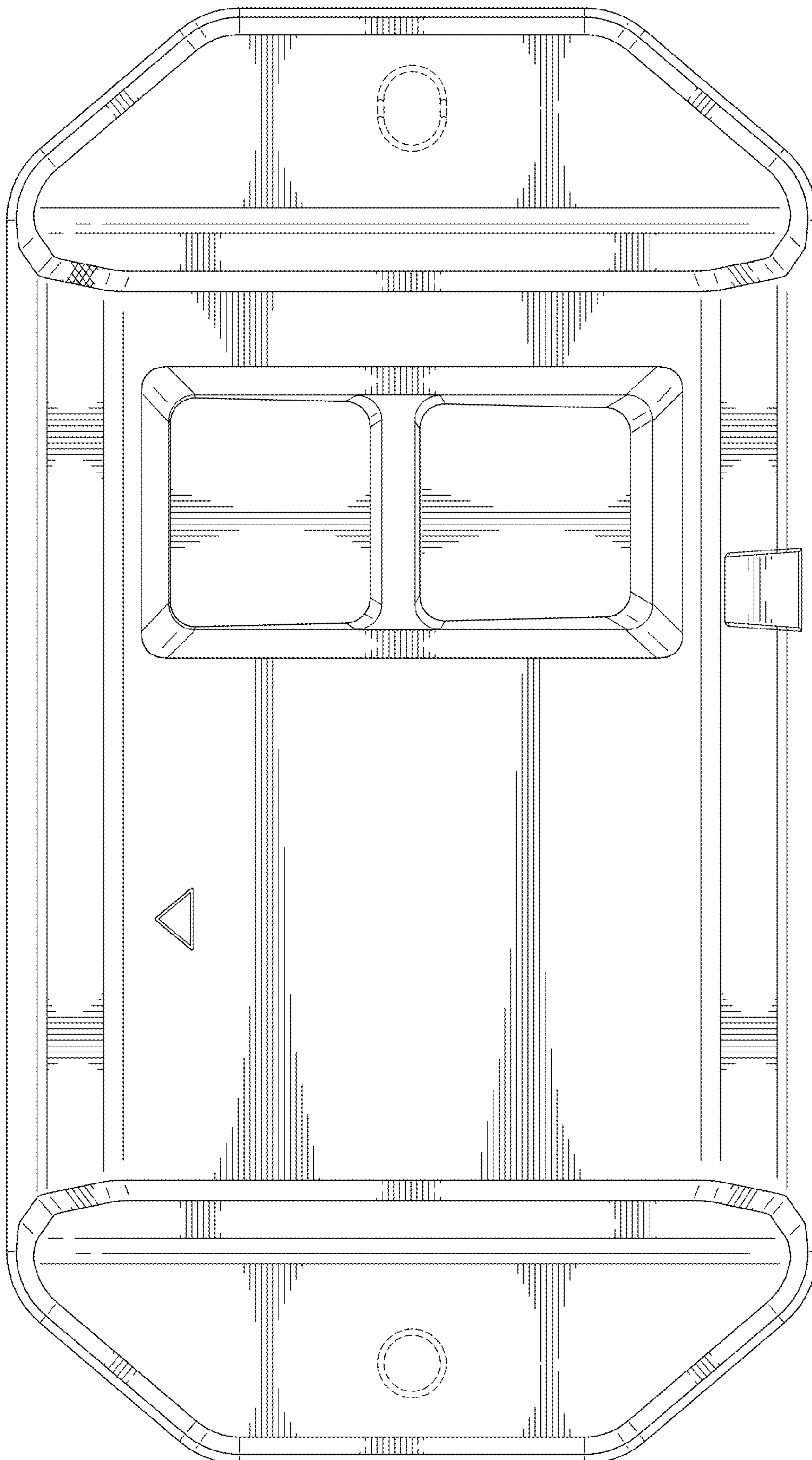


FIG. 2

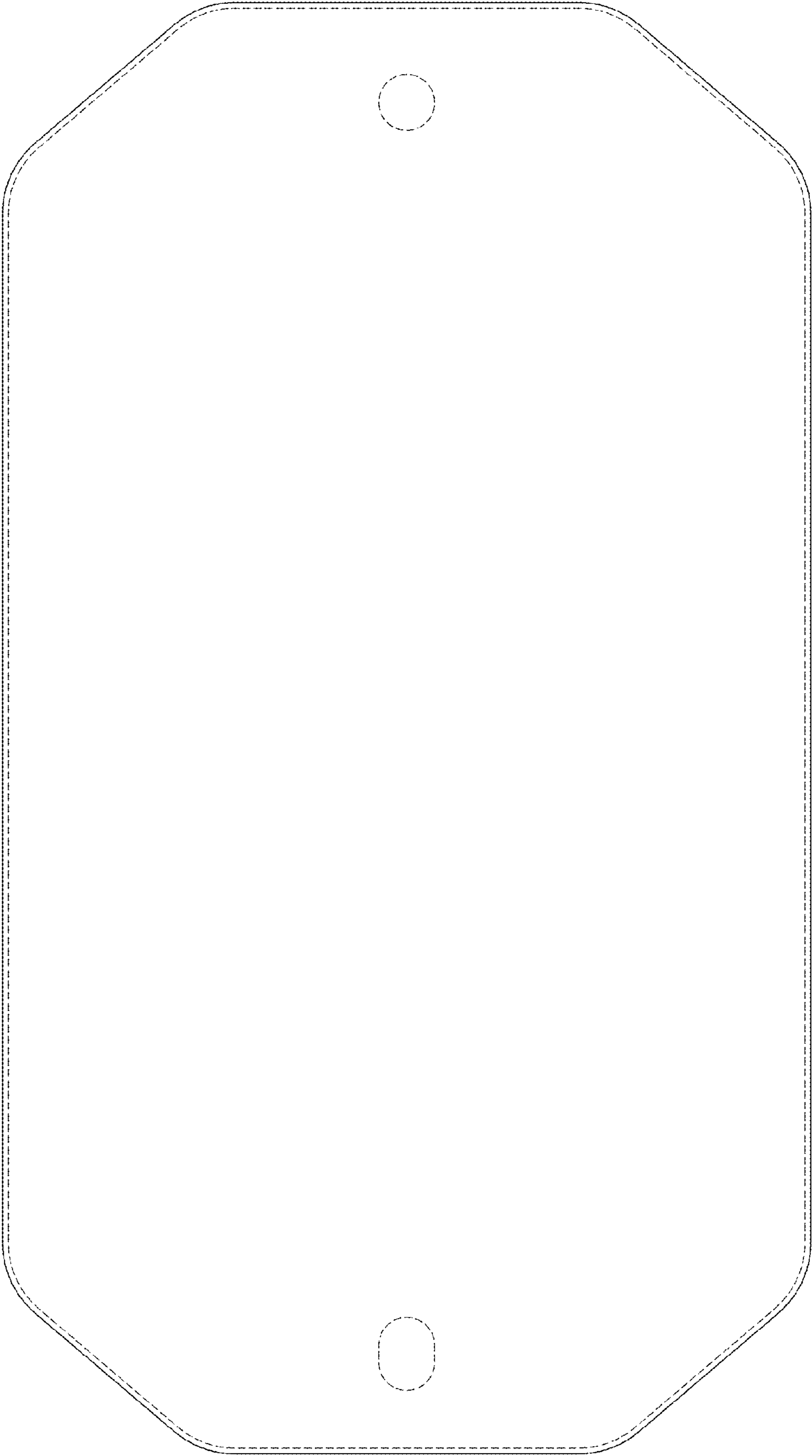


FIG. 3

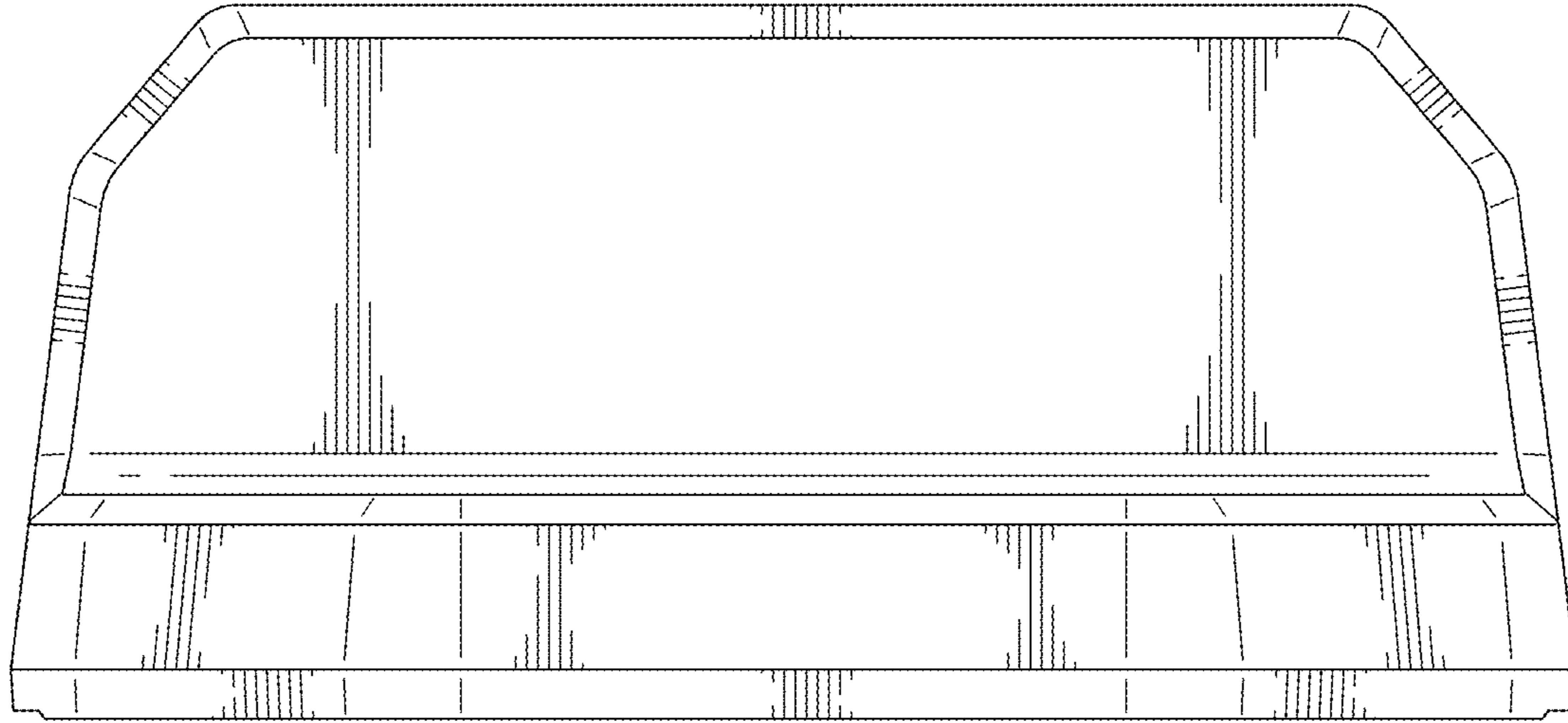


FIG. 5

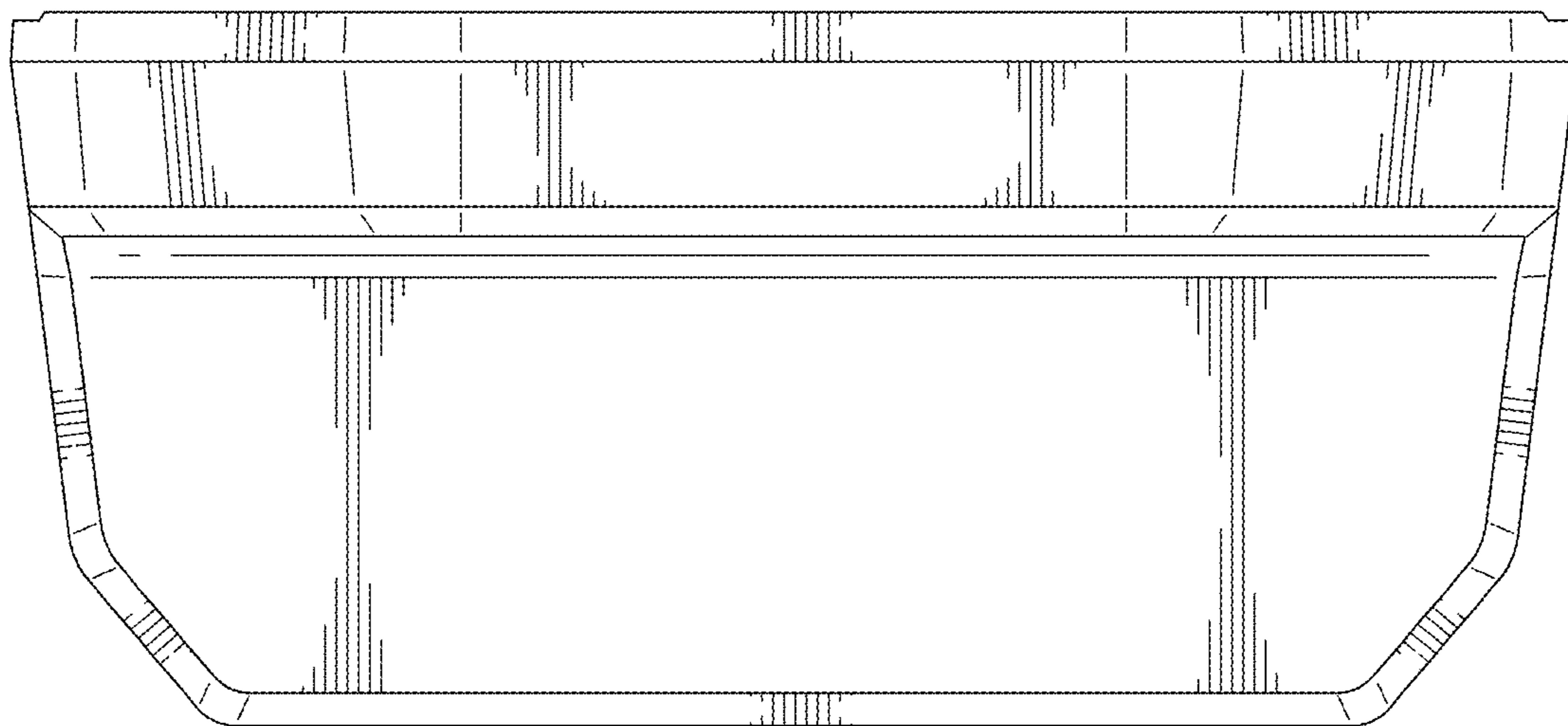


FIG. 4

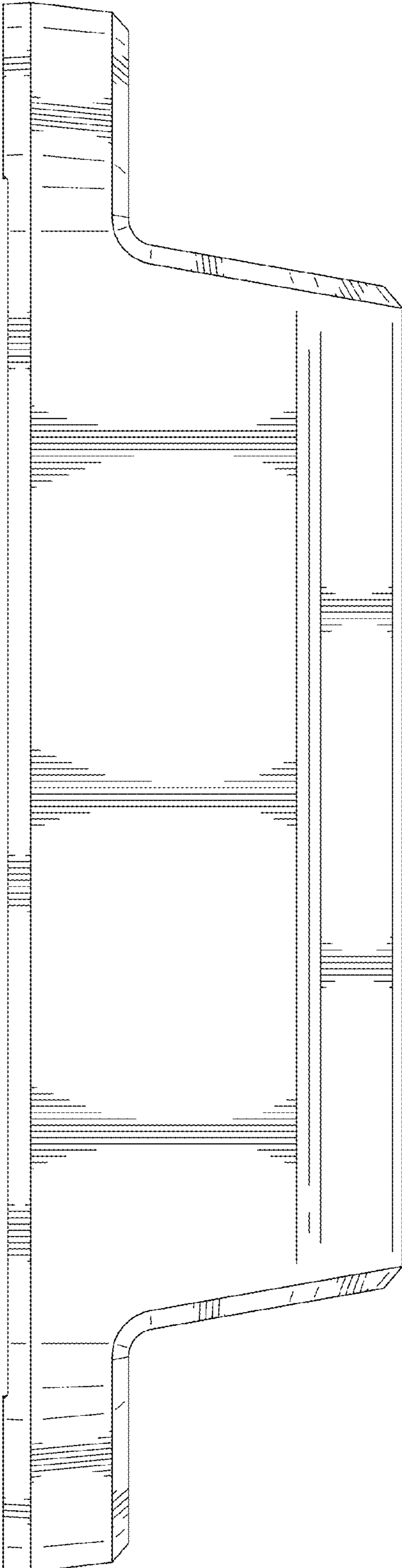


FIG. 6

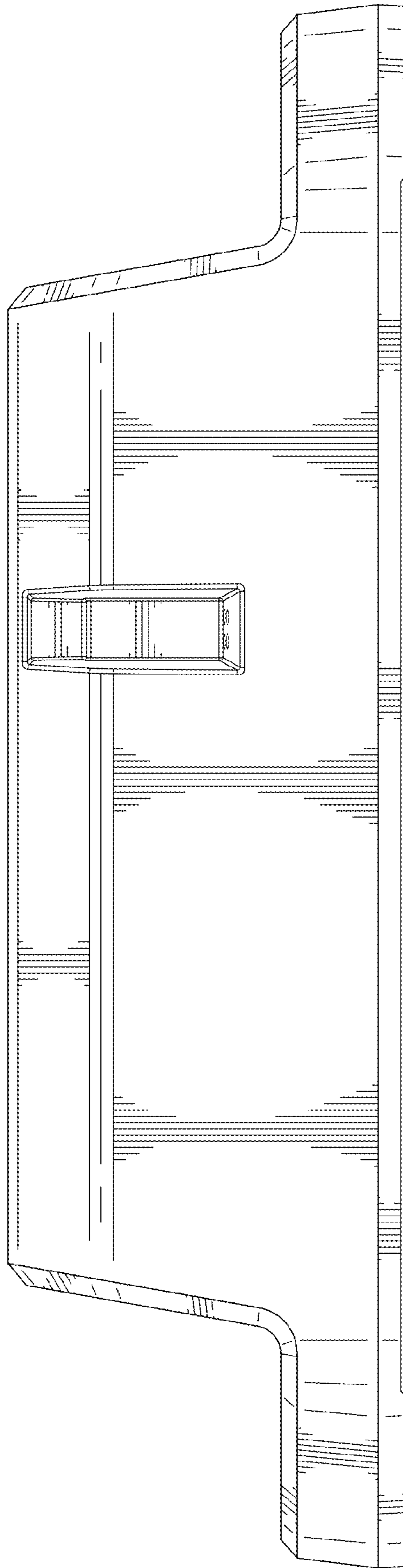


FIG. 7

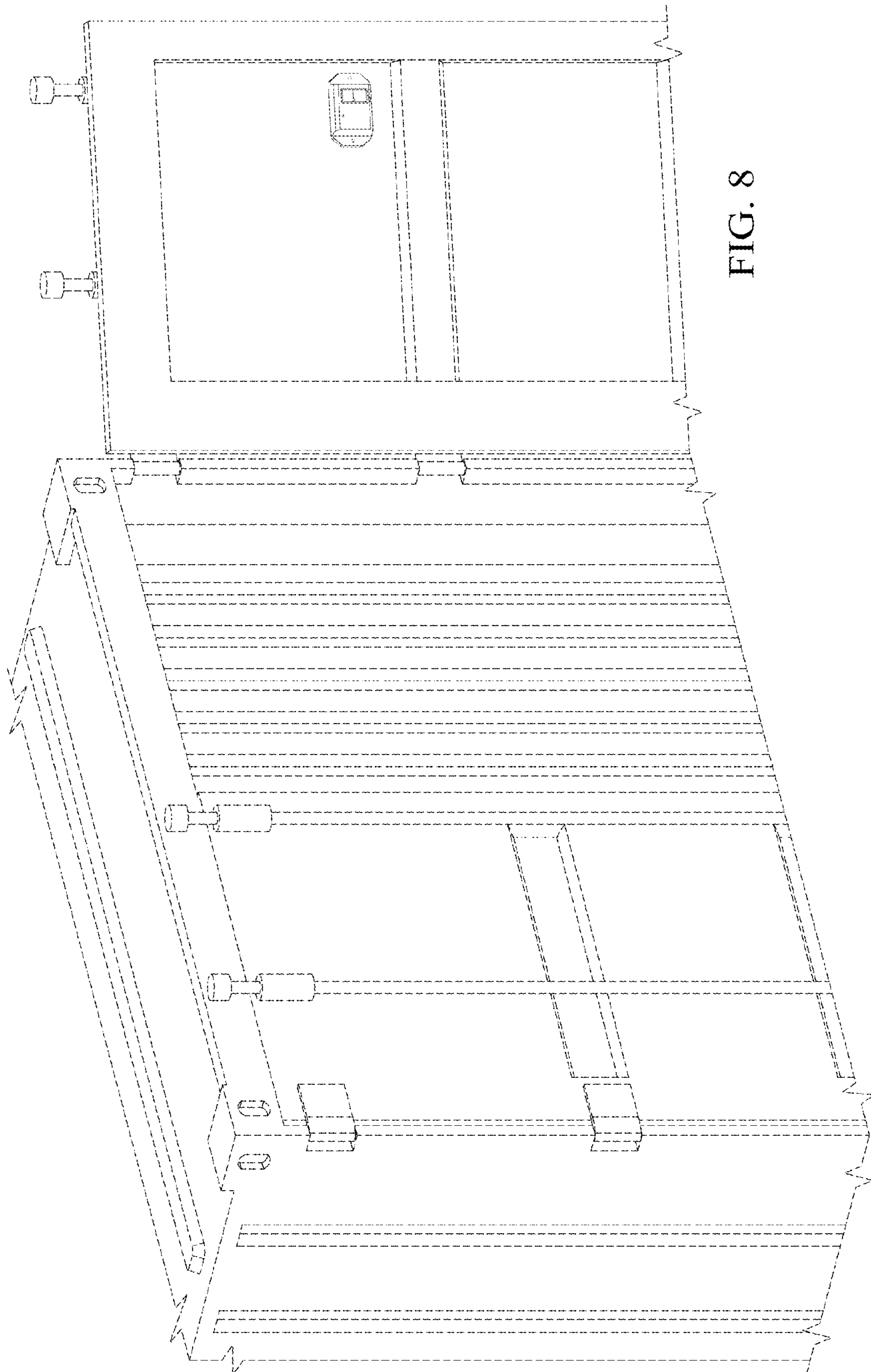


FIG. 8