



US00D924205S

(12) **United States Design Patent** (10) **Patent No.:** **US D924,205 S**  
**Bowers** (45) **Date of Patent:** **\*\* Jul. 6, 2021**

- (54) **TAIL FOR A REMOTE CONTROL**
- (71) Applicant: **Brett Bowers**, Ardrossan (CA)
- (72) Inventor: **Brett Bowers**, Ardrossan (CA)
- (\*\*) Term: **15 Years**
- (21) Appl. No.: **29/682,371**
- (22) Filed: **Mar. 5, 2019**
- (30) **Foreign Application Priority Data**
  - Sep. 5, 2018 (CA) ..... CA 183320
  - Sep. 5, 2018 (CA) ..... CA 183321
  - Sep. 5, 2018 (CA) ..... CA 183322
  - Sep. 5, 2018 (CA) ..... CA 183323
  - Sep. 5, 2018 (CA) ..... CA 183324
  - Sep. 5, 2018 (CA) ..... CA 183325
- (51) **LOC (13) Cl.** ..... **14-03**
- (52) **U.S. Cl.**  
USPC ..... **D14/218**; D3/218
- (58) **Field of Classification Search**  
USPC ..... D13/168; D8/356; D14/217, 218, 434;  
D19/34; D20/22, 23, 24, 27; D21/456,  
D21/597, 623, 657, 659, 694; D24/189;  
D11/5  
CPC ..... A45F 5/00; A45F 5/021; A45F 2005/008;  
A45F 2003/144; A45F 2200/0516; G09F  
23/00  
See application file for complete search history.

- (56) **References Cited**  
U.S. PATENT DOCUMENTS  
D22,775 S \* 9/1893 Best ..... D19/34  
1,266,296 A \* 5/1918 Mark ..... A63H 27/10  
446/224  
D144,564 S \* 4/1946 Heil ..... D19/34  
D163,657 S \* 6/1951 Wagner ..... D19/34  
3,102,634 A \* 9/1963 Borisof ..... C09J 7/38  
401/52  
D272,931 S \* 3/1984 Burgi ..... D21/650

- 4,445,894 A \* 5/1984 Kovacs ..... A61M 25/02  
128/DIG. 26
- 4,489,867 A \* 12/1984 Schwemberger .... A44C 5/0038  
224/219
- D280,529 S \* 9/1985 Cox ..... D19/141
- 4,646,731 A \* 3/1987 Brower ..... A61B 17/085  
602/57
- D297,248 S \* 8/1988 Barr ..... D20/22
- 4,976,056 A \* 12/1990 Roberts ..... G09F 3/10  
40/638
- D351,060 S \* 10/1994 Randazzo ..... D3/218
- D369,606 S \* 5/1996 Marks ..... D14/218
- D374,767 S \* 10/1996 Leach ..... D3/218
- D381,023 S \* 7/1997 Accardo ..... D10/104.1
- D384,669 S \* 10/1997 Collier ..... D14/218
- D405,118 S \* 2/1999 Murphy, Sr. .... D20/11
- D412,706 S \* 8/1999 Virost ..... D14/217
- D433,227 S \* 11/2000 Evans ..... D2/629

(Continued)

**OTHER PUBLICATIONS**

Google Image Search on shark tail; Feb. 26, 2021; [https://www.google.com/search?q=shark+tail+for+a+remote+control&tbm=isch&ved=2ahUKEwilvNKn3lfvAhVJrlkKHYPIDIDToQ2-cCegQIABAA&oq=shark+tail+for+a+remote+control&gs\\_lcp=CgNpbWcQA1C19wtY-ZUMYIW9DGgBcAB4AIABhgGIAYoHkgEEMTQuMZgBAKABAaoBC2d3cy13aXotaW1nwAEB&scient=img&ei=TgA5YK.\\*](https://www.google.com/search?q=shark+tail+for+a+remote+control&tbm=isch&ved=2ahUKEwilvNKn3lfvAhVJrlkKHYPIDIDToQ2-cCegQIABAA&oq=shark+tail+for+a+remote+control&gs_lcp=CgNpbWcQA1C19wtY-ZUMYIW9DGgBcAB4AIABhgGIAYoHkgEEMTQuMZgBAKABAaoBC2d3cy13aXotaW1nwAEB&scient=img&ei=TgA5YK.*)

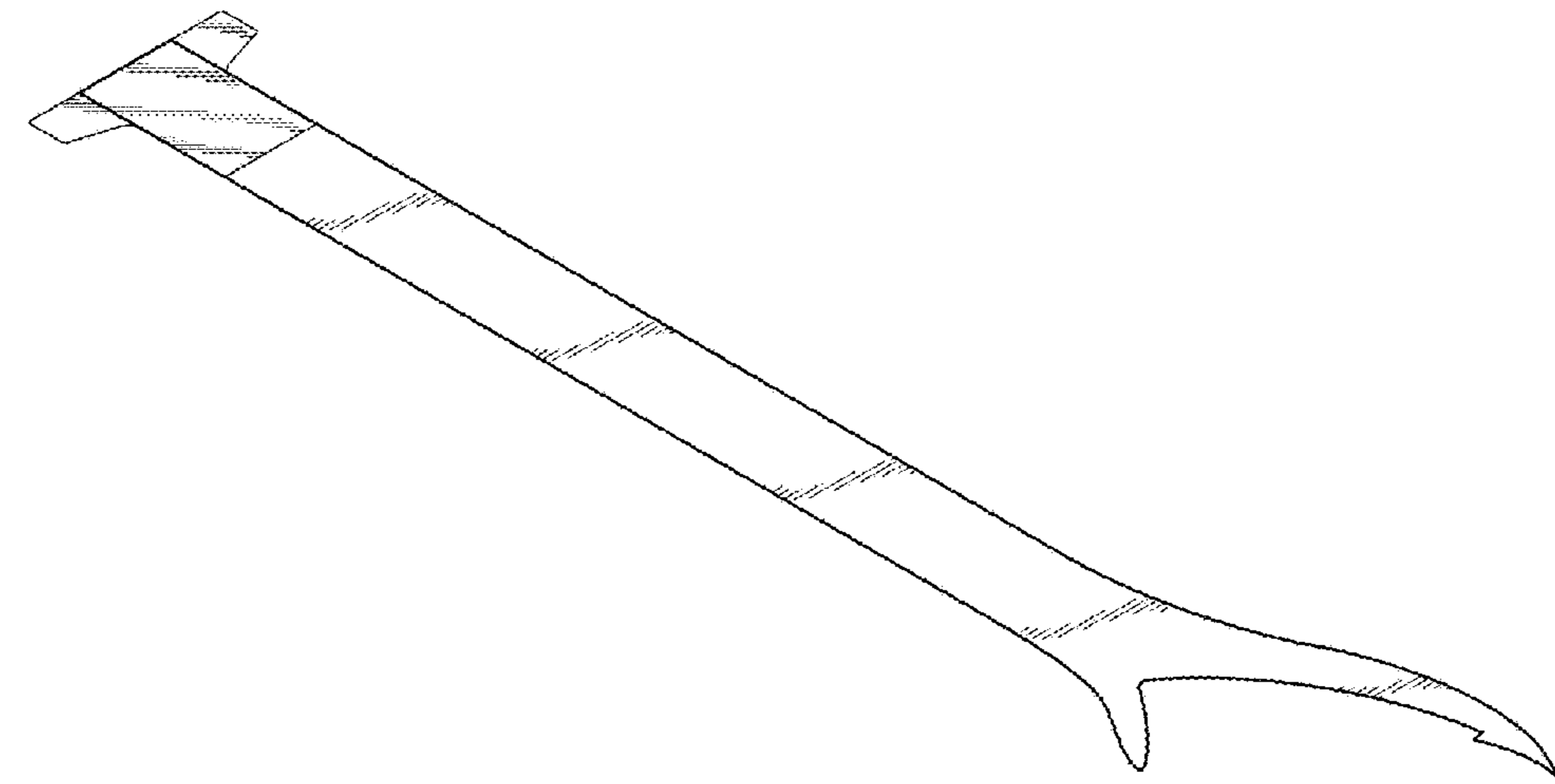
*Primary Examiner* — Selina Sikder  
(74) *Attorney, Agent, or Firm* — Sander R. Geising

(57) **CLAIM**  
The ornamental design for a tail for a remote control, as shown and described.

**DESCRIPTION**

FIG. 1 is a front elevation view of the tail for a remote control, the rear elevation view being a mirror image thereof;  
FIG. 2 is a side elevation view thereof;  
FIG. 3 top plan view, the bottom plan view being a mirror image thereof; and,  
FIG. 4 is a perspective view thereof.

**1 Claim, 1 Drawing Sheet**



(56)

References Cited

U.S. PATENT DOCUMENTS

D455,255	S *	4/2002	Zeigler	.....	D3/218
D471,599	S *	3/2003	Manville	.....	D21/493
6,559,350	B1 *	5/2003	Tetreault	.....	A61F 13/023 602/42
6,606,768	B2 *	8/2003	Henry	.....	A45F 5/00 24/298
D491,168	S *	6/2004	Petrick	.....	D14/218
D505,785	S *	6/2005	Woody	.....	D3/215
D564,976	S *	3/2008	Billings	.....	D13/168
D570,101	S *	6/2008	Harris	.....	D3/218
D589,963	S *	4/2009	Sheba	.....	D14/217
7,524,307	B2 *	4/2009	Davis	.....	A61M 25/02 128/DIG. 26
D611,611	S *	3/2010	Sachi	.....	D24/189
D624,974	S *	10/2010	Taylor	.....	D21/657
D647,079	S *	10/2011	Woods	.....	D14/217
D656,544	S *	3/2012	Bensoussan	.....	D19/34
D666,409	S *	9/2012	Andre	.....	D3/218
D676,490	S *	2/2013	Bratter	.....	D20/27
D677,652	S *	3/2013	Gifford	.....	D14/217
D897,994	S *	10/2020	Bowers	.....	D14/218
2001/0035121	A1 *	11/2001	Huling	.....	G09F 23/00 116/200

\* cited by examiner

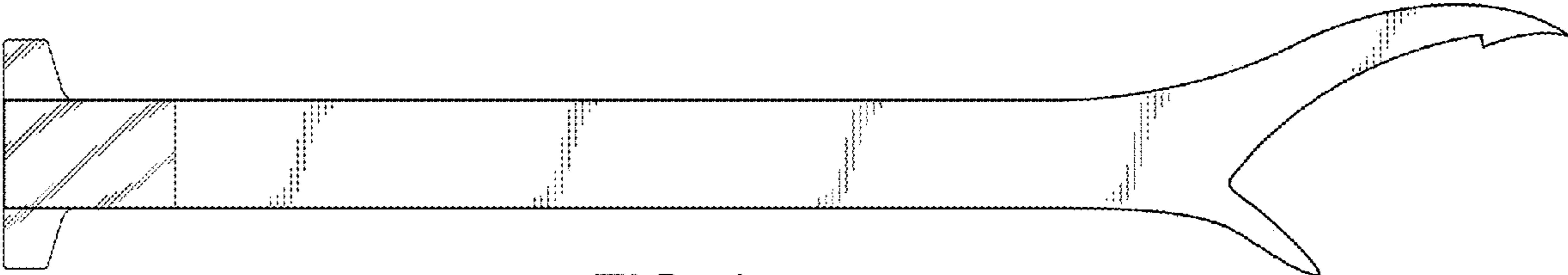


FIG. 1



FIG. 2



FIG. 3

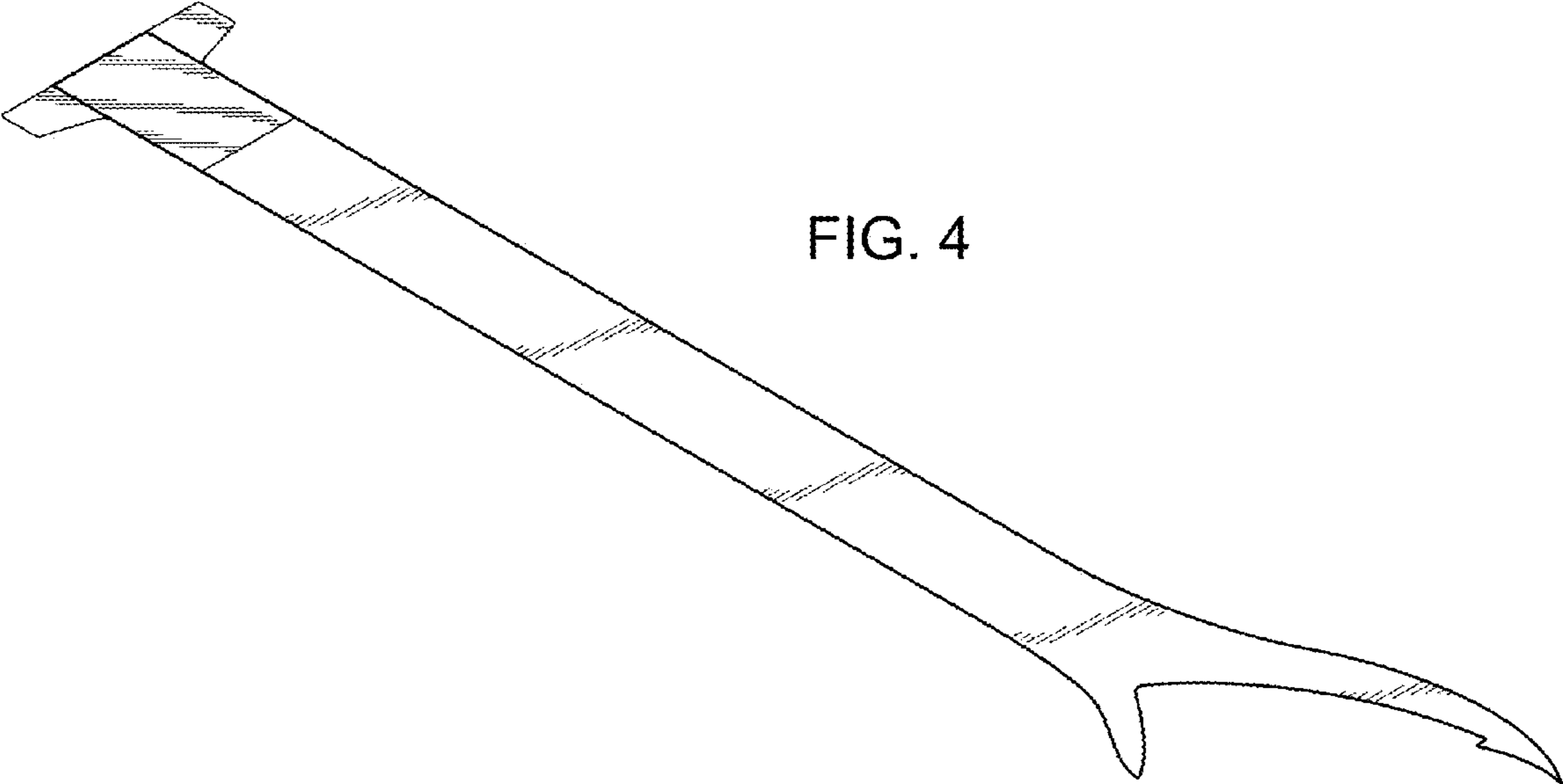


FIG. 4