



US00D924202S

(12) **United States Design Patent** (10) **Patent No.:** **US D924,202 S**
Kim et al. (45) **Date of Patent:** **** Jul. 6, 2021**

(54) **AUDIO PLAYER**

(56) **References Cited**

(71) Applicant: **LG ELECTRONICS INC.**, Seoul (KR)

U.S. PATENT DOCUMENTS

(72) Inventors: **Jun Ki Kim**, Seoul (KR); **Sungyong Park**, Seoul (KR); **Chulhee Lim**, Seoul (KR); **Chaelin Lee**, Seoul (KR)

D72,181 S *	3/1927	Morris	D14/213
D115,979 S *	8/1939	Przywara	D14/194
D117,966 S *	12/1939	Geddes	D14/184
D120,905 S *	6/1940	Bitter	D14/168
D129,743 S *	9/1941	Karstadt	D14/193
D182,158 S *	2/1958	Best et al.	D14/184
D188,813 S *	9/1960	Durant	D14/173
3,512,606 A *	5/1970	Anastin	H04R 1/26 181/144
D236,228 S *	8/1975	Takeoka	D14/169
D302,817 S *	8/1989	Macaulay	D14/210

(73) Assignee: **LG ELECTRONICS INC.**, Seoul (KR)

(**) Term: **15 Years**

(Continued)

(21) Appl. No.: **35/508,332**

(22) Filed: **May 21, 2019**

OTHER PUBLICATIONS

(80) **Hague Agreement Data**

Int. Filing Date: **May 21, 2019**
Int. Reg. No.: **DM/205158**
Int. Reg. Date: **May 21, 2019**
Int. Reg. Pub. Date: **Jan. 17, 2020**

Lee, Byoung Kyu, KR design No. 300704116, published at Orbit, publication date Aug. 6, 2013. Site visited Dec. 3, 2020. Available from Internet. (Year: 2013).*

(Continued)

(30) **Foreign Application Priority Data**

Nov. 29, 2018 (KR) 30-2018-0055921

(51) **LOC (13) Cl.** **14-01**

(52) **U.S. Cl.**
USPC **D14/211**

(58) **Field of Classification Search**

USPC D14/496-498, 501, 505-506, 511, 133, D14/135, 140.2-140.3, 140.5, 160, 162, D14/166-169, 172-173, 175, 179, 182, D14/184, 188, 193-194, 196-199, D14/202-203.1, 203.8, 204, 208, 209.1, D14/210-211, 212-216, 220-222, 224, D14/224.1; D6/657
CPC H04R 2400/00; H04R 1/16; H04R 1/026; H04R 1/02; H04R 1/00; H04R 1/025; H04R 1/028

See application file for complete search history.

Primary Examiner — Kathleen L Jones

(74) *Attorney, Agent, or Firm* — Birch, Stewart, Kolasch & Birch LLP

(57) **CLAIM**

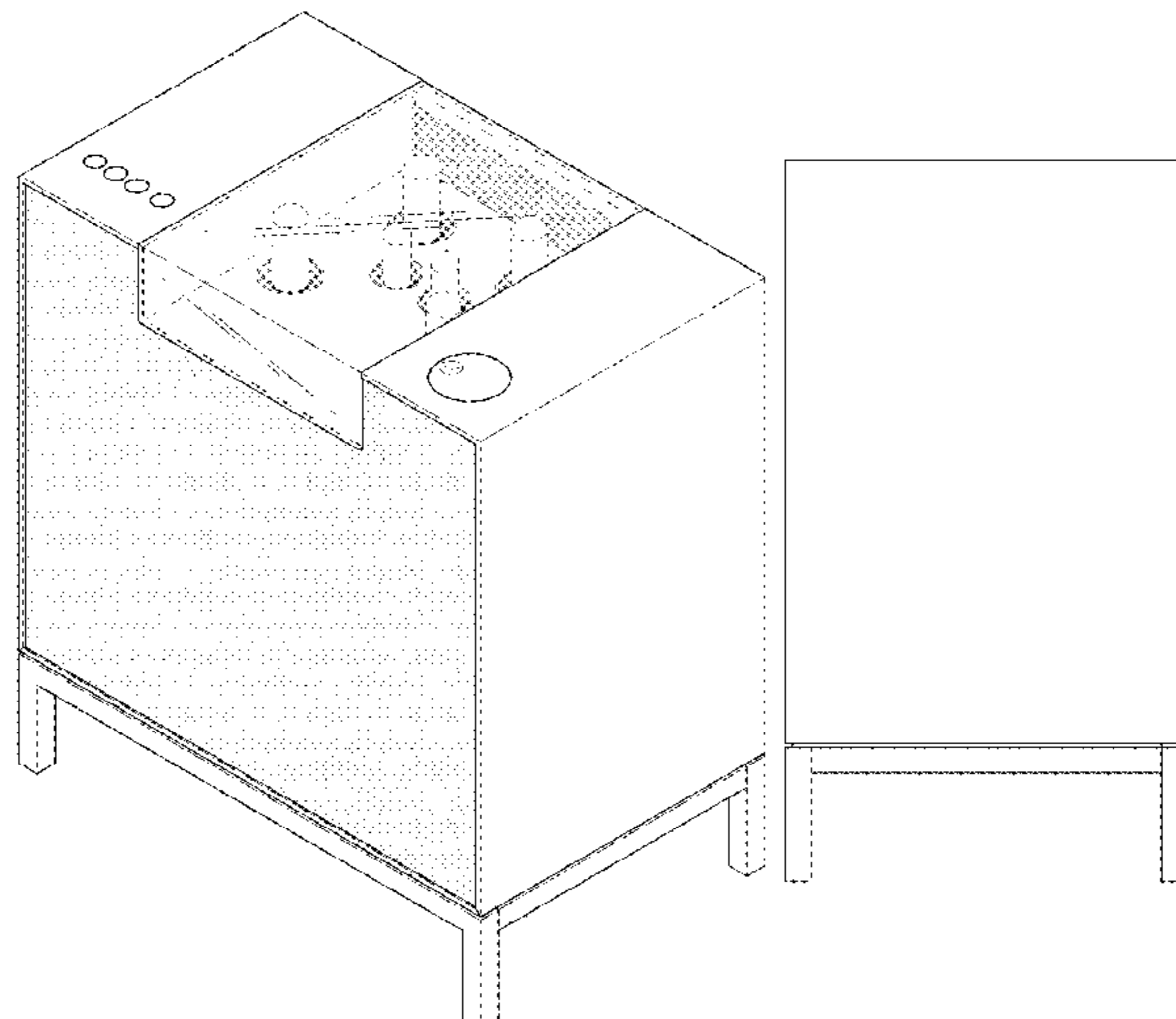
The ornamental design for an audio player, as shown and described.

DESCRIPTION

- 1. Audio player
- 1.1 : Perspective
- 1.2 : Front
- 1.3 : Back
- 1.4 : Left
- 1.5 : Right
- 1.6 : Top
- 1.7 : Bottom

The broken lines indicate portions of the article that form no part of the claimed design.

1 Claim, 7 Drawing Sheets



(56)

References Cited

U.S. PATENT DOCUMENTS

D321,882 S * 11/1991 Huei D14/196
 D371,787 S * 7/1996 Sohn D14/188
 D373,582 S * 9/1996 Hasegawa D14/496
 D515,551 S * 2/2006 Watanabe D14/194
 D516,537 S * 3/2006 Katsuraku D14/168
 D526,640 S * 8/2006 Chin D14/188
 D527,018 S * 8/2006 Christianson D14/203.8
 D529,019 S * 9/2006 Lim D14/172
 D546,814 S * 7/2007 Takita D14/168
 D551,652 S * 9/2007 Nakamura D14/168
 D584,286 S * 1/2009 Kim D14/214
 D607,283 S * 1/2010 Mahan D7/606
 D610,589 S * 2/2010 Chia D14/496
 D702,663 S * 4/2014 Kim D14/209.1
 D759,628 S * 6/2016 McManigal D14/214
 D763,221 S * 8/2016 Kallin D14/188
 D776,085 S * 1/2017 Tabarly D14/207
 D800,697 S * 10/2017 Fischer D14/214
 D813,189 S * 3/2018 Lundgard D14/188
 D814,437 S * 4/2018 HonRDI D14/168
 D832,820 S * 11/2018 Norell D14/214
 D842,274 S * 3/2019 Kiong D14/215
 D847,115 S * 4/2019 Li D14/204
 D872,053 S * 1/2020 Lee D14/211
 D905,009 S * 12/2020 Kim D14/211

D905,010 S * 12/2020 Kim D14/211
 2011/0155877 A1 * 6/2011 Dennison F16M 13/02
 248/224.8
 2014/0023221 A1 * 1/2014 Weinstein H04R 1/028
 381/334
 2017/0180675 A1 * 6/2017 Kim H04R 1/028
 2017/0258223 A1 * 9/2017 Stamper G10G 5/00
 2019/0058954 A1 * 2/2019 Bellas H04R 1/2888

OTHER PUBLICATIONS

Wang, Shihe, CN design No. 302599256, published at Orbit, publication date Oct. 9, 2013. Site visited Dec. 3, 2020. Available from Internet. (Year: 2013).*

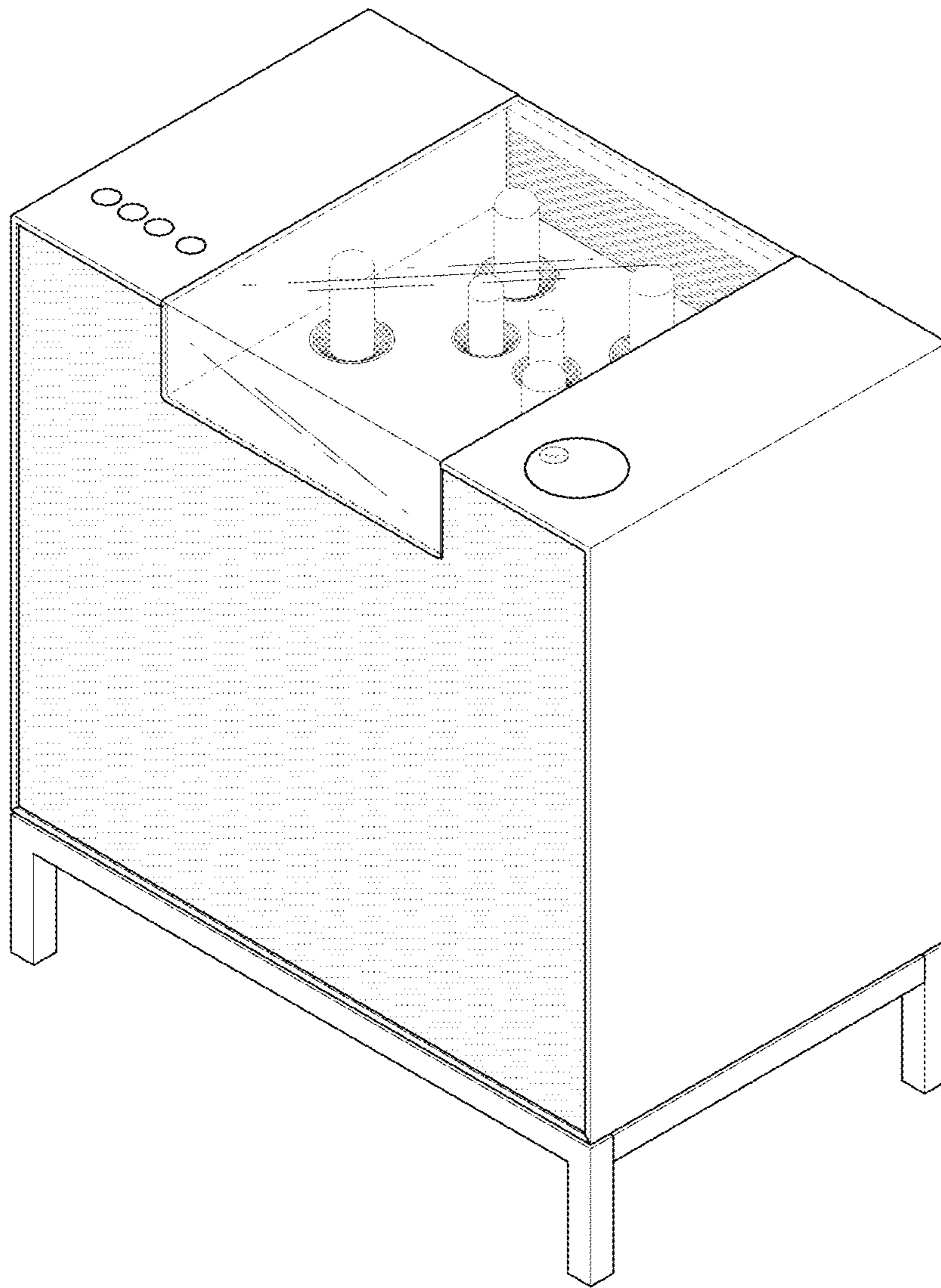
Zhou, Gongliang, CN design No. 303968941, published at Orbit, publication date Dec. 14, 2016. Site visited Dec. 3, 2020. Available from Internet. (Year: 2015).*

K-502 Tube Amplifier Kit and DelSol Speaker, posted at DIY Audio Projects, posting date Apr. 5, 2007. Site visited Dec. 3, 2020. URL: <<https://diyaudioprojects.com/Tubes/K-502/>> (Year: 2007).*

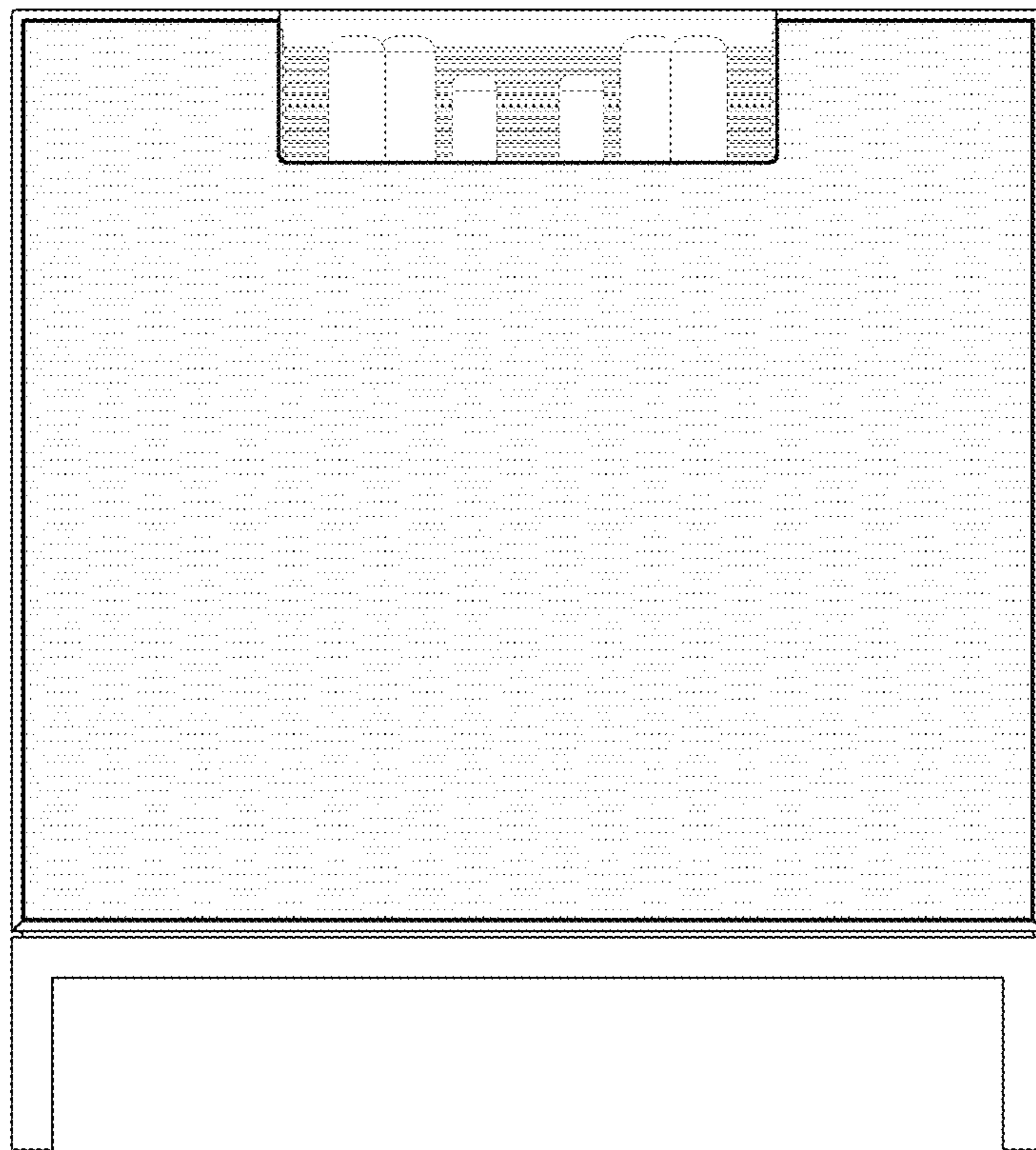
Denison, Caleb, Samsung DA-E750 Review, posted at Digital Trends, posting date Aug. 24, 2012. Site visited Dec. 3, 2020. URL: <<https://www.digitaltrends.com/wireless-speaker-reviews/samsung-da-e750-review/>> (Year: 2012).*

* cited by examiner

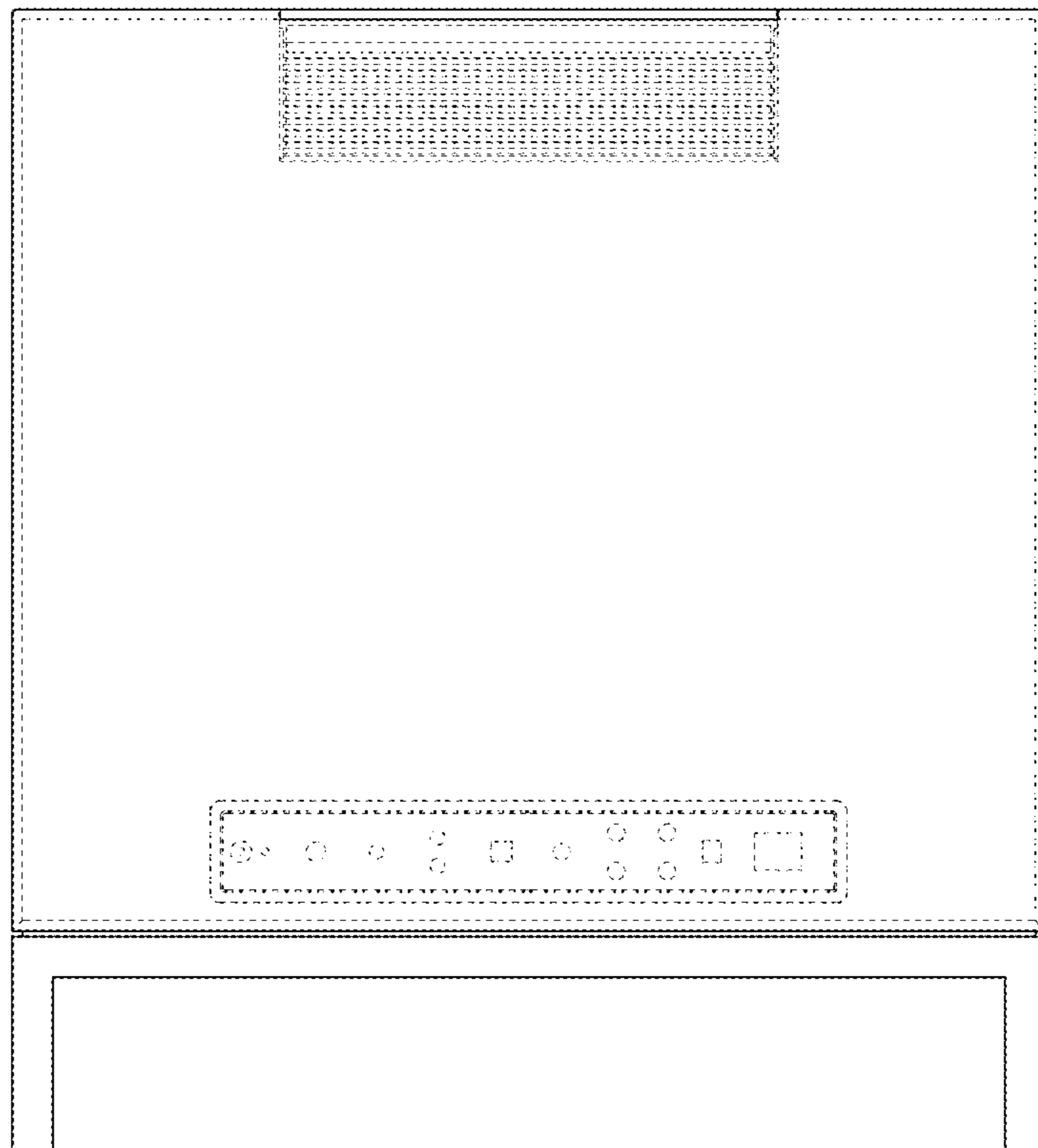
1.1



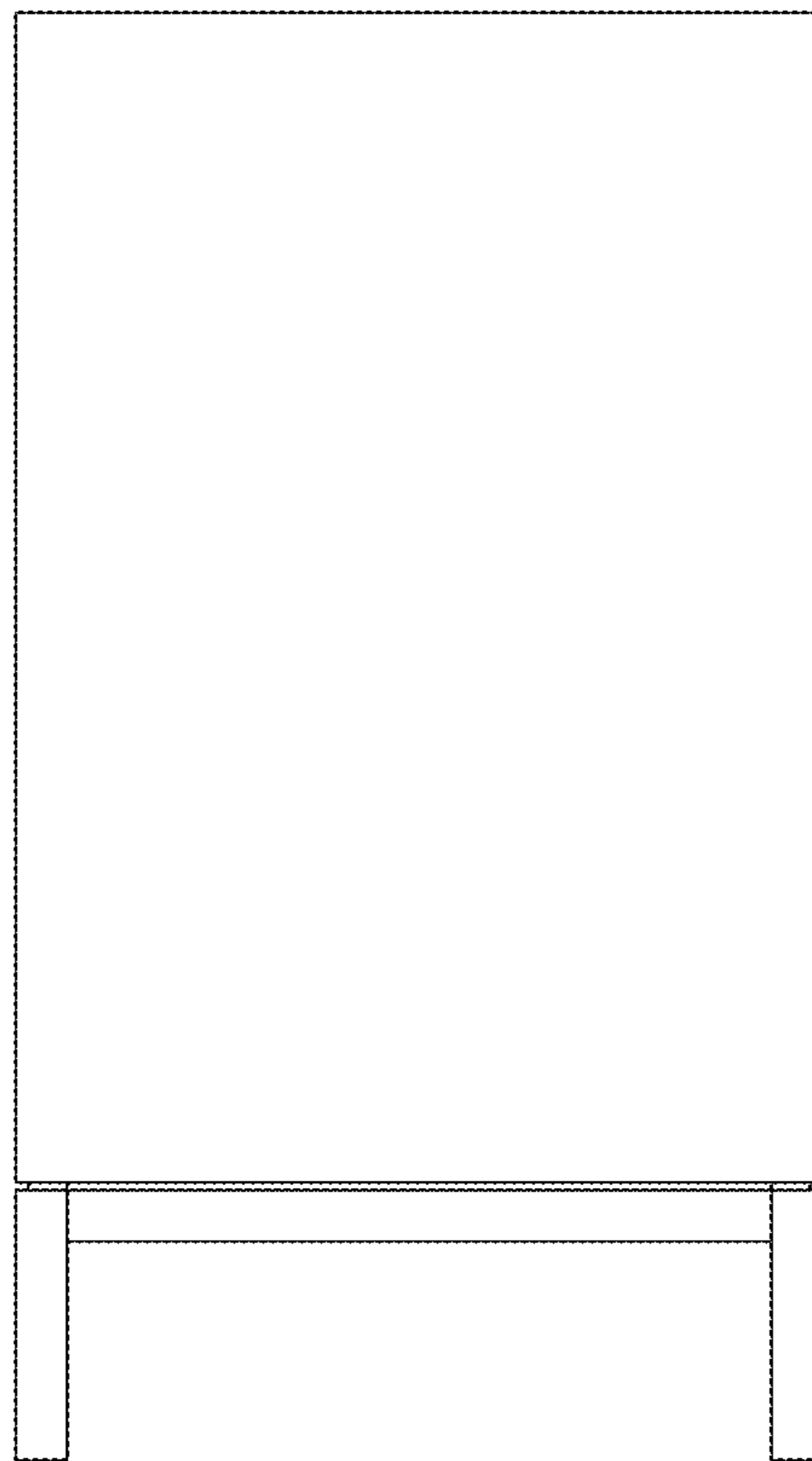
1.2



1.3



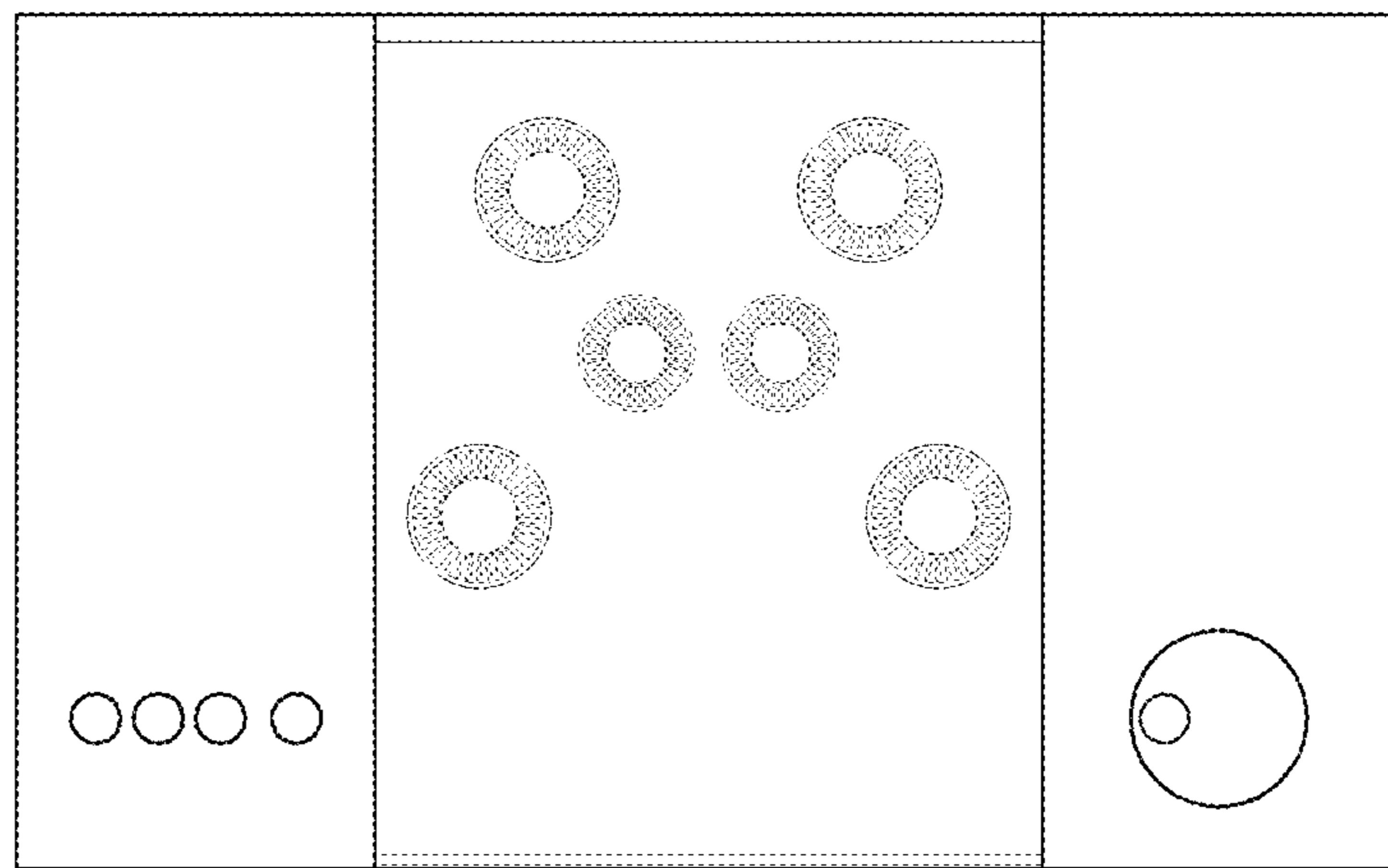
1.4



1.5



1.6



1.7

