



US00D924201S

(12) **United States Design Patent** (10) **Patent No.:** **US D924,201 S**  
**Yan** (45) **Date of Patent:** **\*\* Jul. 6, 2021**

(54) **WIRELESS HEADSET**  
(71) Applicant: **SHENZHEN FUSHIKE ELECTRONIC CO., LTD**, Shenzhen (CN)  
(72) Inventor: **Xiaohuang Yan**, Shenzhen (CN)  
(73) Assignee: **SHENZHEN FUSHIKE ELECTRONIC CO., LTD**, Shenzhen (CN)  
(\*\*) Term: **15 Years**  
(21) Appl. No.: **29/732,526**  
(22) Filed: **Apr. 24, 2020**  
(51) **LOC (13) Cl.** ..... **14-01**  
(52) **U.S. Cl.**  
USPC ..... **D14/206; D14/226**  
(58) **Field of Classification Search**  
USPC ..... D14/206, 226, 225; D24/174; 128/864, 128/865, 866; 381/380, 381; 455/90.3, 455/575.1, 569.1  
CPC ..... H04R 1/10; H04R 25/00; H04R 19/04; H04R 1/1066; H04R 1/1016; H04R 5/033; H04R 5/0335; H04R 1/105; H04R 1/1083  
See application file for complete search history.

(56) **References Cited**  
U.S. PATENT DOCUMENTS  
D439,890 S \* 4/2001 Skulley ..... D14/206  
D443,603 S \* 6/2001 Taylor ..... D14/206  
D504,413 S \* 4/2005 Takagi ..... D14/168  
D504,419 S \* 4/2005 Bey ..... D14/223  
D504,887 S \* 5/2005 Skulley ..... D14/223  
D506,258 S \* 6/2005 Nielsen ..... D24/174  
D511,156 S \* 11/2005 Eroma ..... D14/205  
D512,984 S \* 12/2005 Ham ..... D14/205  
D515,074 S \* 2/2006 Jacobson ..... D14/225  
D517,528 S \* 3/2006 Skulley ..... D14/206

D518,479 S \* 4/2006 Skulley ..... D14/225  
D519,498 S \* 4/2006 Ham ..... D14/225  
D520,496 S \* 5/2006 Gwee ..... D14/205  
D521,492 S \* 5/2006 Ham ..... D14/205  
D530,819 S \* 10/2006 Jurkiewicz ..... D24/174  
D535,980 S \* 1/2007 Bentley ..... D14/225  
D537,815 S \* 3/2007 Bentley ..... D14/206  
D539,266 S \* 3/2007 Bentley ..... D14/205  
D539,789 S \* 4/2007 Rausch ..... D14/225  
D541,787 S \* 5/2007 Ma ..... D14/205  
D581,900 S \* 12/2008 Caddes ..... D14/206  
D584,719 S \* 1/2009 Brennwald ..... D14/205  
D603,372 S \* 11/2009 Bentley ..... D14/206  
D612,834 S \* 3/2010 Yang ..... D14/206  
D612,835 S \* 3/2010 Yang ..... D14/206  
D612,840 S \* 3/2010 Yang ..... D14/223  
D647,877 S \* 11/2011 Son ..... D14/206  
(Continued)

**FOREIGN PATENT DOCUMENTS**

CN 303815869 \* 8/2016  
*Primary Examiner* — Paula Allen Greene  
(74) *Attorney, Agent, or Firm* — Li & Cai Intellectual Property (USA) Office

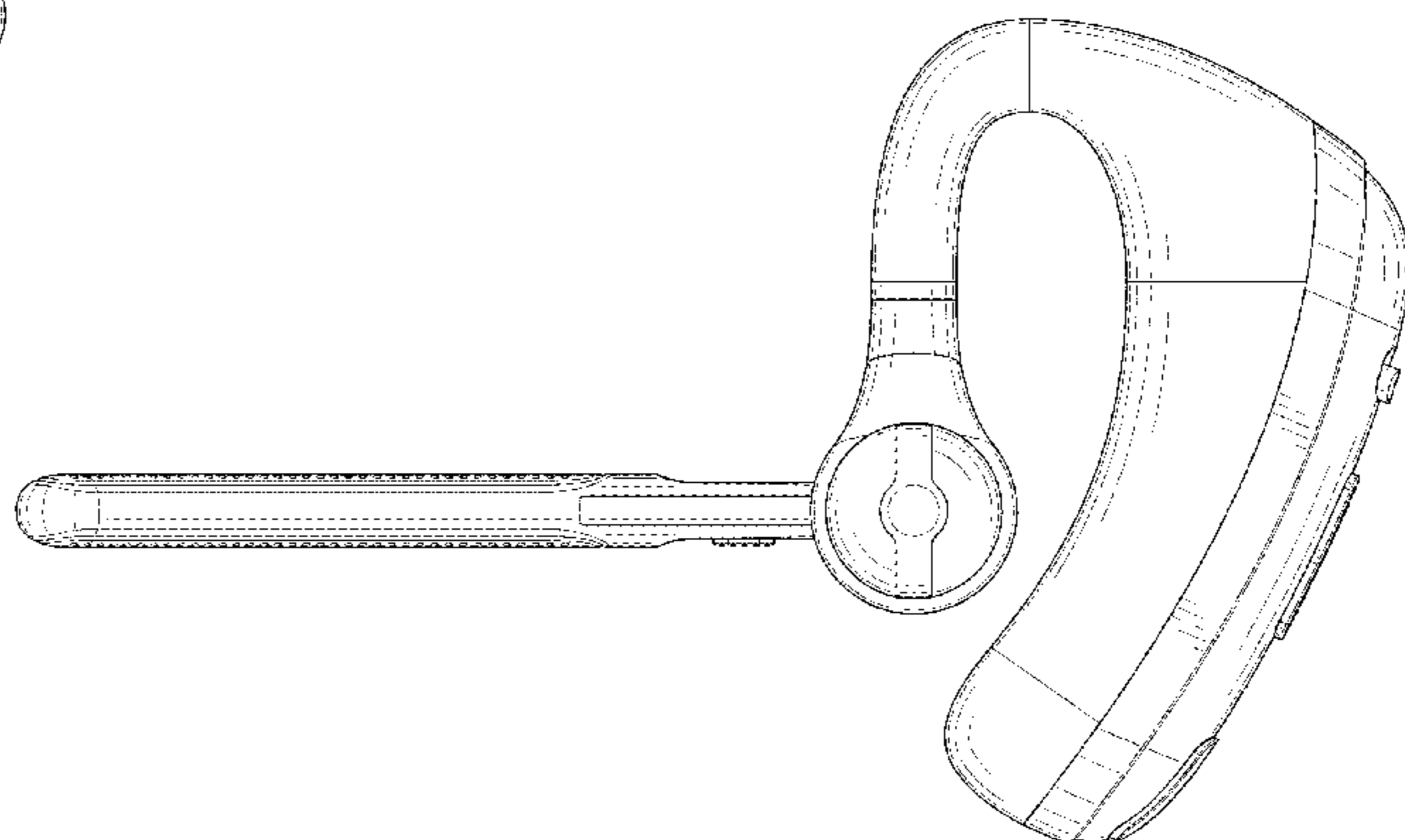
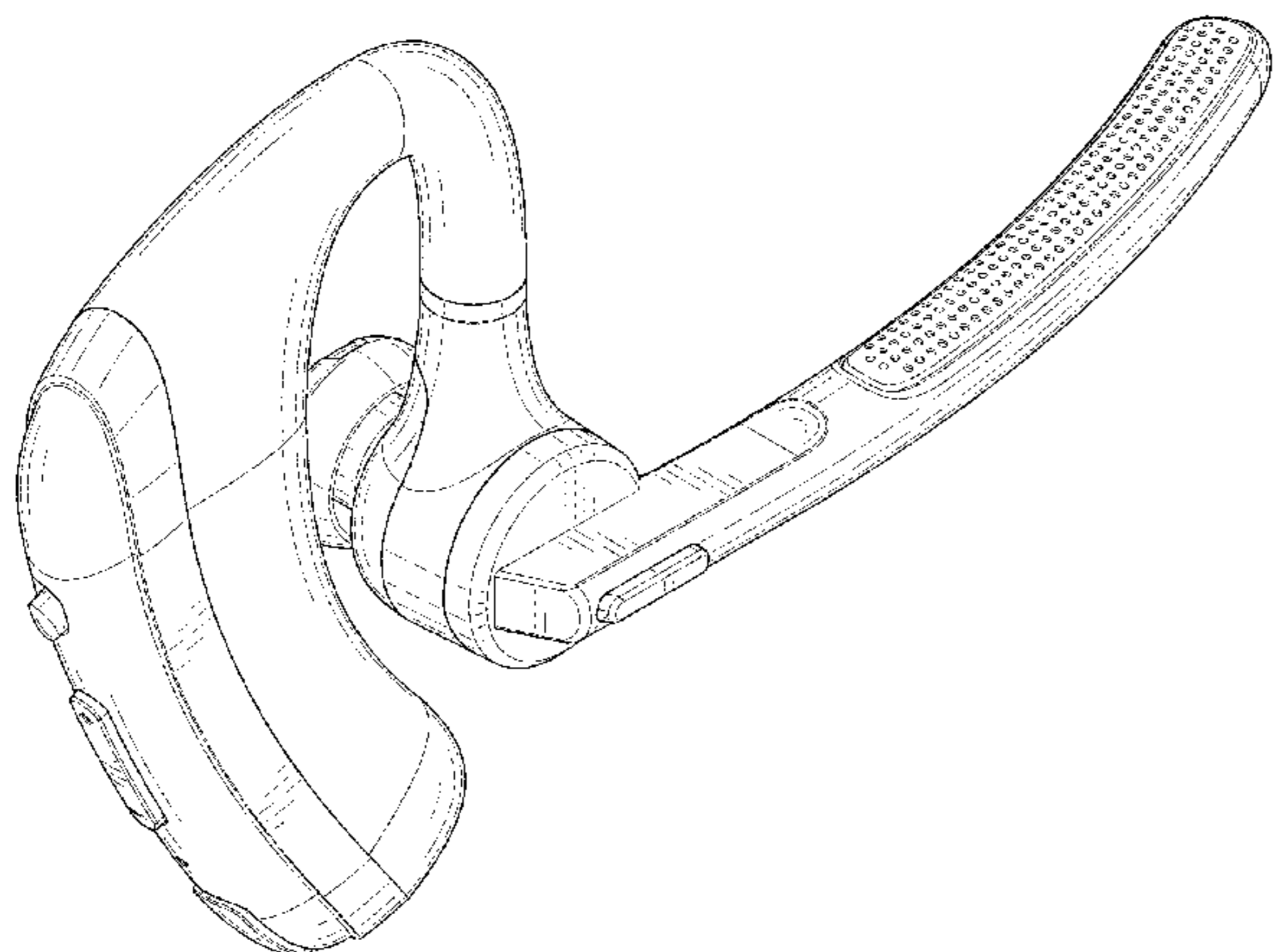
(57) **CLAIM**

The ornamental design for a wireless headset, as shown and described.

**DESCRIPTION**

FIG. 1 is a front, left side and top perspective view of a wireless headset showing my new design; FIG. 2 is a front elevational view thereof; FIG. 3 is a rear elevational view thereof; FIG. 4 is a left side elevational view thereof; FIG. 5 is a right side elevational view thereof; FIG. 6 is a top plan view thereof; and, FIG. 7 is a bottom plan view thereof. The broken lines in the drawing depict portions of the wireless headset that form no part of the claimed design.

**1 Claim, 6 Drawing Sheets**



(56)

References Cited

U.S. PATENT DOCUMENTS

D653,649 S \* 2/2012 Yang ..... D14/206  
 D657,347 S \* 4/2012 Chung ..... D14/206  
 D667,121 S \* 9/2012 Mori ..... D24/174  
 D670,267 S \* 11/2012 Maddern ..... D14/206  
 D671,915 S \* 12/2012 Birger ..... D14/206  
 D681,002 S \* 4/2013 Ham ..... D14/205  
 D681,003 S \* 4/2013 Ham ..... D14/206  
 D681,014 S \* 4/2013 Ham ..... D14/223  
 8,437,860 B1 \* 5/2013 Crawford ..... H04R 25/609  
 607/55  
 D705,936 S \* 5/2014 Lockenwitz ..... D24/174  
 D717,771 S \* 11/2014 Harper ..... D14/223  
 D726,147 S \* 4/2015 Tran ..... D14/206  
 9,031,275 B2 \* 5/2015 Brodsgaard ..... H04R 1/1066  
 381/374  
 D746,260 S \* 12/2015 Goransson ..... D14/206  
 D750,043 S \* 2/2016 Birger ..... D14/206  
 9,307,311 B2 \* 4/2016 Tran ..... H04R 1/105  
 D784,290 S \* 4/2017 Paterson ..... D14/205  
 D784,291 S \* 4/2017 Paterson ..... D14/206  
 D789,331 S \* 6/2017 Paterson ..... D14/225  
 D797,076 S \* 9/2017 Zhang ..... D14/206  
 D800,692 S \* 10/2017 Tan ..... D14/206  
 D804,035 S \* 11/2017 Gabathuler ..... D24/174

D812,040 S \* 3/2018 Yan ..... D14/206  
 D828,327 S \* 9/2018 Birger ..... D14/206  
 D829,193 S \* 9/2018 Cai ..... D14/223  
 D830,337 S \* 10/2018 Yan ..... D14/206  
 D830,338 S \* 10/2018 Yan ..... D14/206  
 D836,599 S \* 12/2018 Duan ..... D14/206  
 D838,688 S \* 1/2019 Liu ..... D14/206  
 D851,065 S \* 6/2019 Yan ..... D14/206  
 D855,036 S \* 7/2019 Yan ..... D14/206  
 D862,424 S \* 10/2019 You ..... D14/223  
 D863,254 S \* 10/2019 Hu ..... D14/206  
 D864,166 S \* 10/2019 You ..... D14/223  
 D872,707 S \* 1/2020 Liu ..... D14/206  
 D879,067 S \* 3/2020 Hu ..... D14/205  
 D879,068 S \* 3/2020 Yan ..... D14/206  
 D883,951 S \* 5/2020 Yan ..... D14/206  
 D886,798 S \* 6/2020 Yan ..... D14/206  
 D900,784 S \* 11/2020 Yan ..... D14/206  
 D903,634 S \* 12/2020 Lu ..... D14/206  
 D913,263 S \* 3/2021 Yang ..... D14/206  
 D915,347 S \* 4/2021 Duan ..... D14/206  
 D916,049 S \* 4/2021 Xu ..... D14/206  
 2005/0129259 A1 \* 6/2005 Garner ..... H04R 1/105  
 381/172  
 2005/0259812 A1 \* 11/2005 Chen ..... H04M 1/05  
 379/431

\* cited by examiner

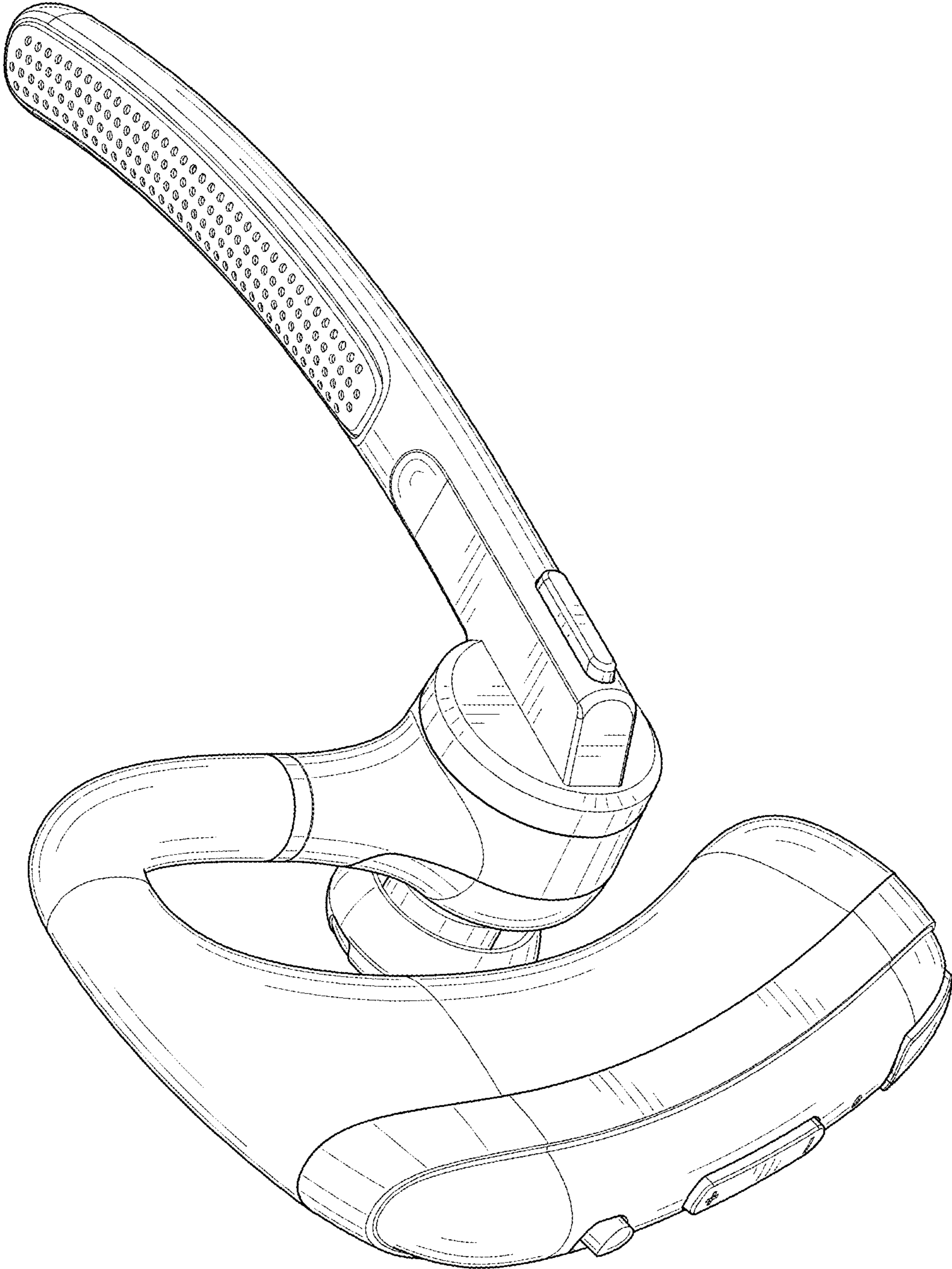


FIG. 1

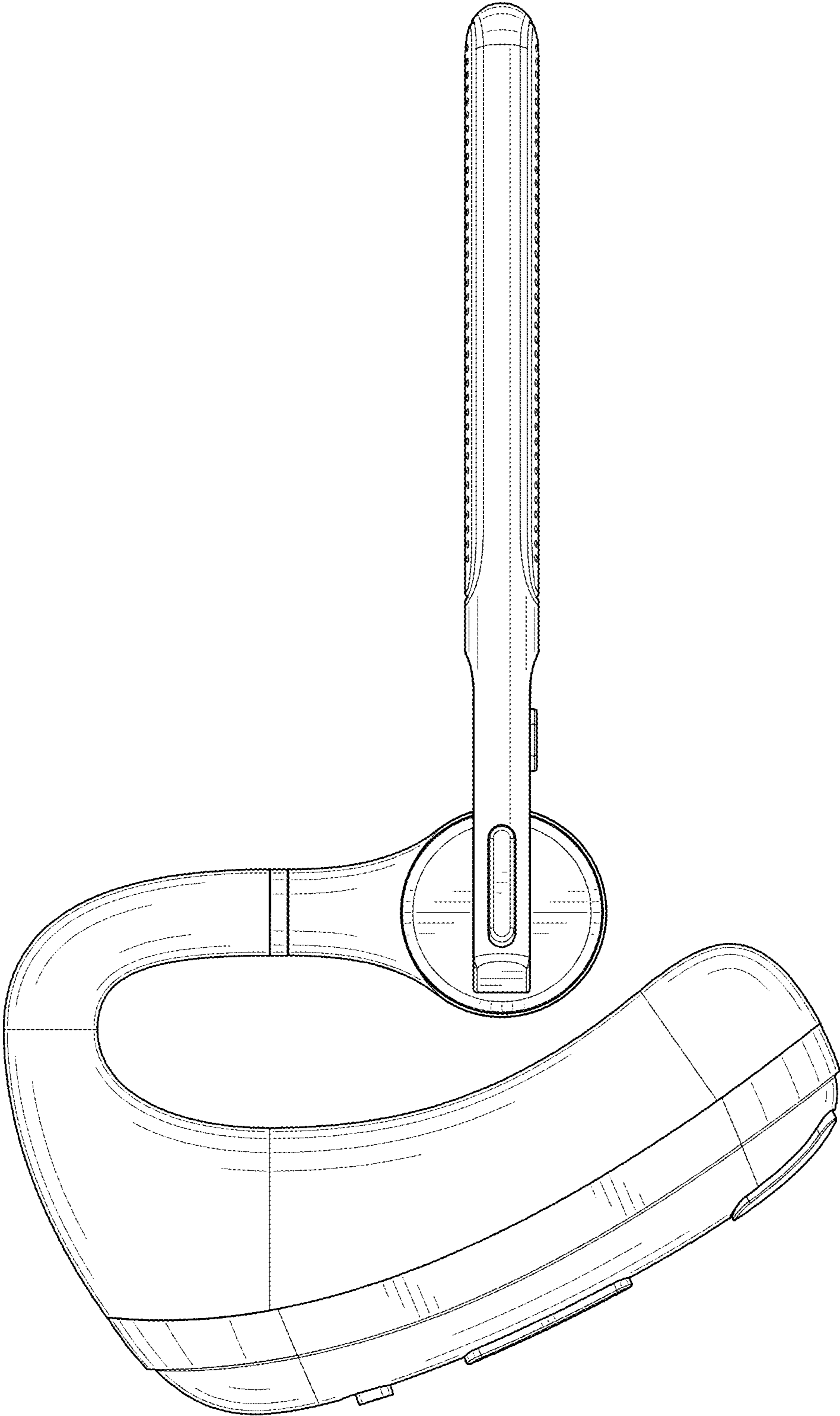


FIG. 2

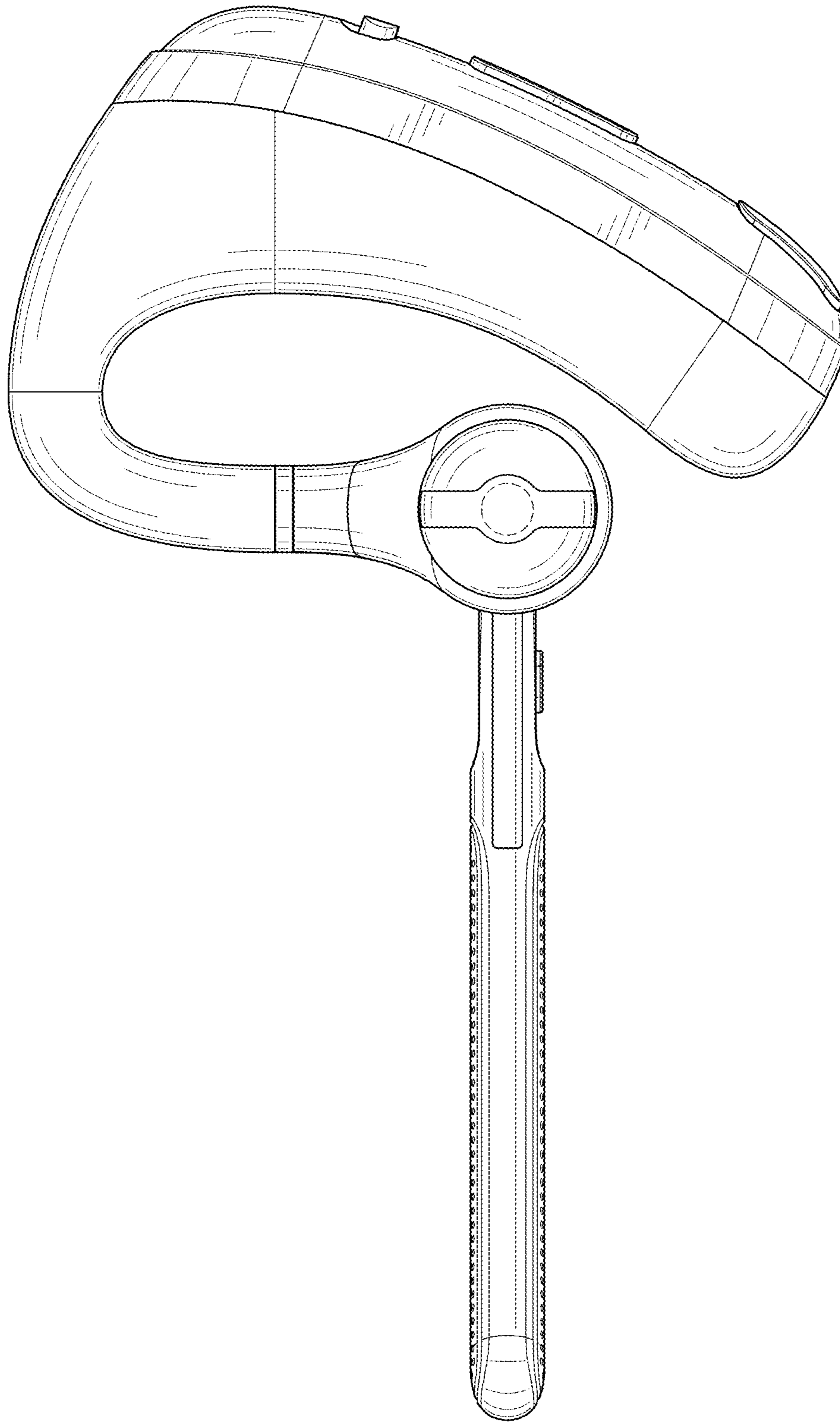


FIG. 3

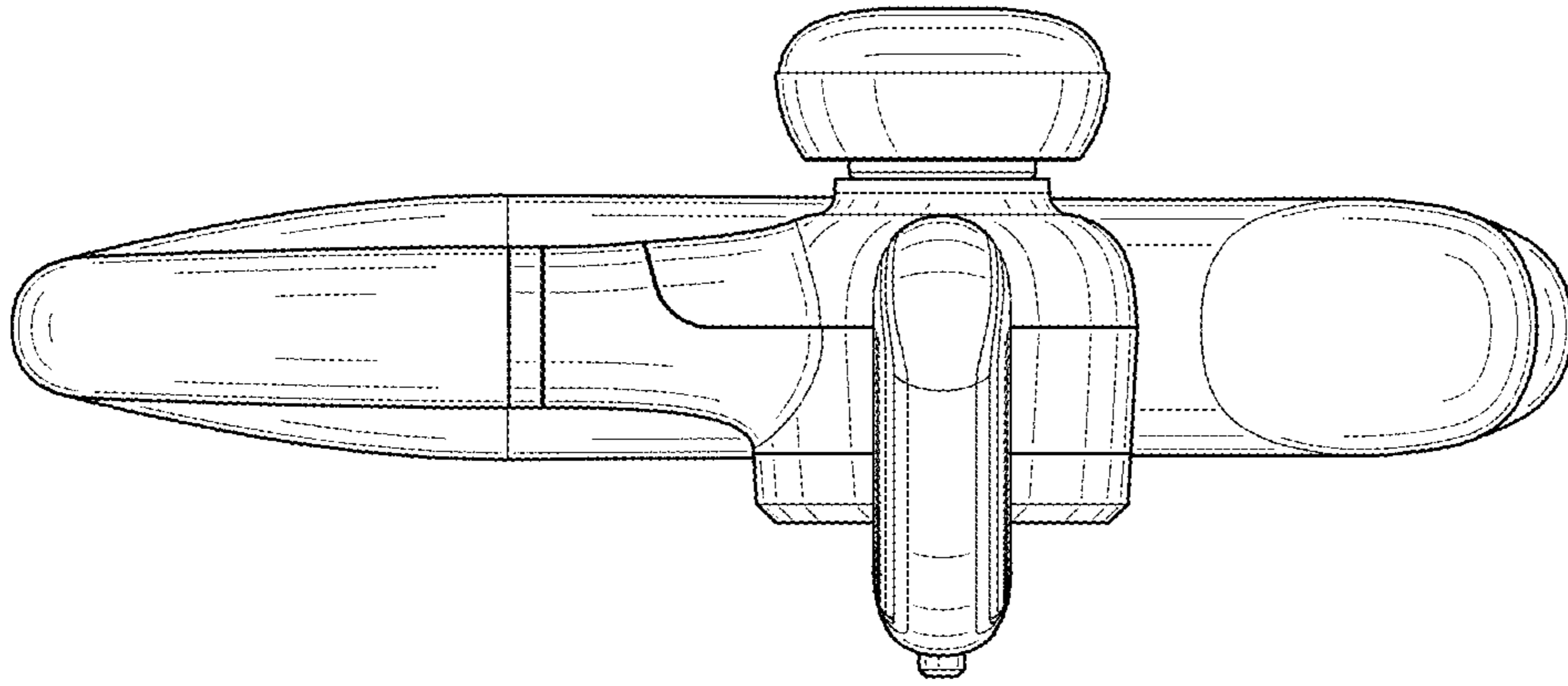


FIG. 5

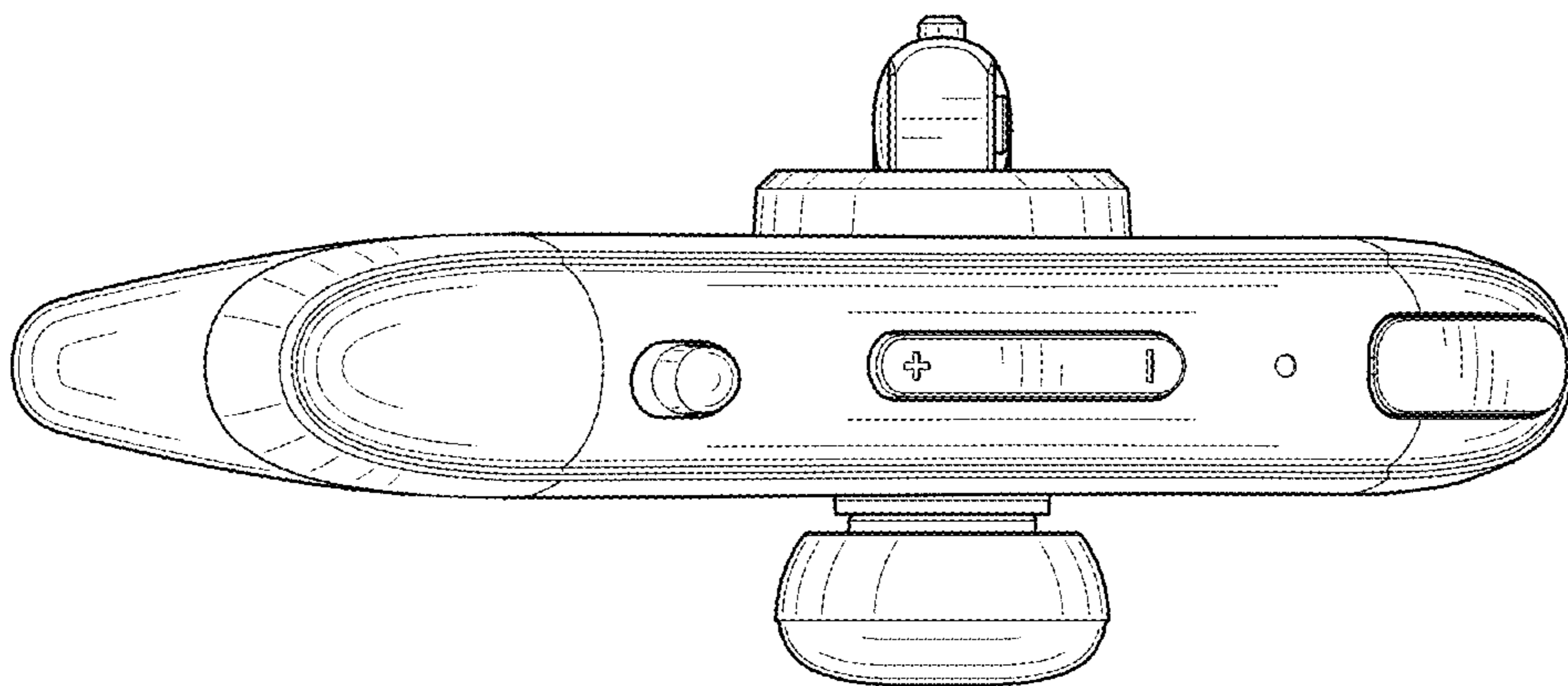


FIG. 4

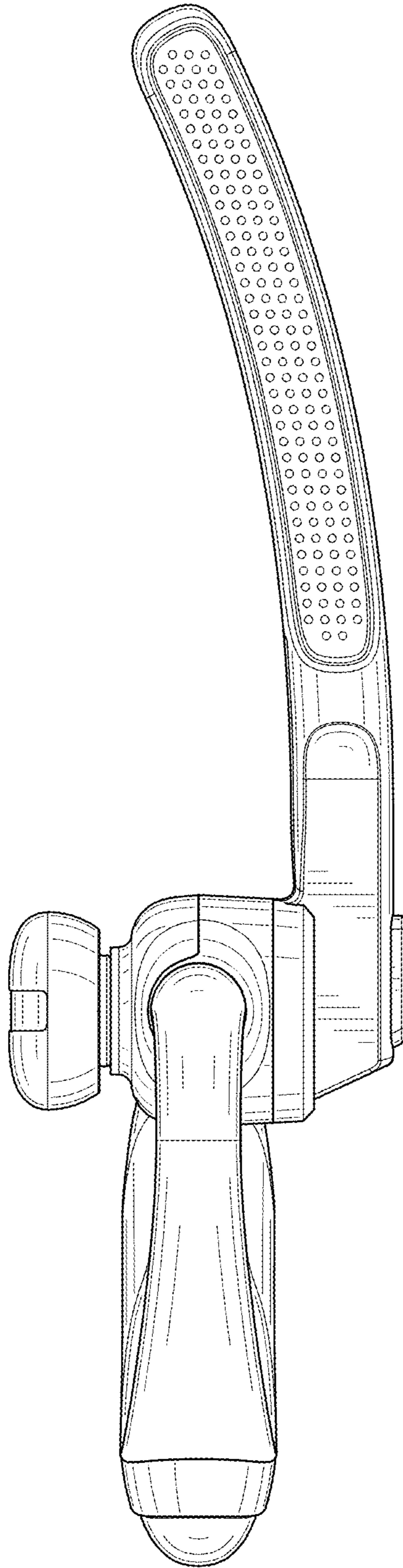


FIG. 6

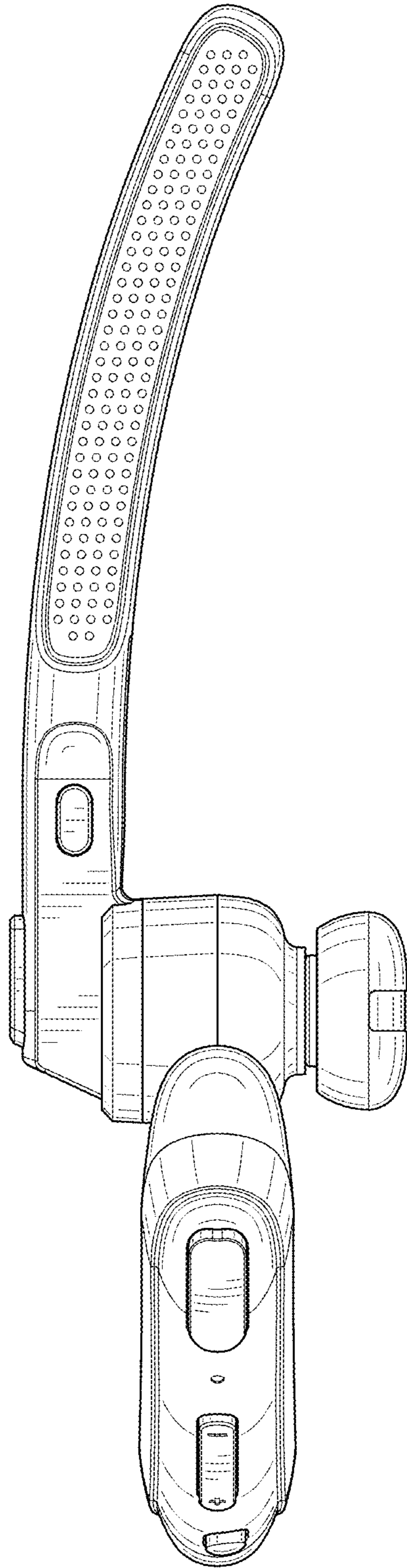


FIG. 7