



US00D924199S

(12) **United States Design Patent**
Ludlum et al.

(10) **Patent No.:** **US D924,199 S**
(45) **Date of Patent:** **** Jul. 6, 2021**

(54) **FURNITURE MOUNTED SMART SPEAKER**

(71) Applicant: **Dux Interiors, Inc.**, New York, NY
(US)

(72) Inventors: **Wayne Ludlum**, Huntington Beach, CA
(US); **Ed Curry**, Pleasantville, NY
(US)

(73) Assignee: **Dux Interiors, Inc.**, New York, NY
(US)

(**) Term: **15 Years**

(21) Appl. No.: **29/719,420**

(22) Filed: **Jan. 3, 2020**

(51) **LOC (13) Cl.** **14-01**

(52) **U.S. Cl.**
USPC **D14/204**; D14/172; D14/214

(58) **Field of Classification Search**
USPC D14/137, 149, 155, 169, 171–172, 188,
D14/204, 209, 209.1, 210–217, 219, 221,
D14/225, 226, 250, 496

CPC H04R 1/02; H04R 1/021; H04R 1/023;
H04R 1/025; H04R 1/026; H04R 1/028;
H04R 1/323; H04R 1/403; H04R 1/2803;
H04R 1/2834; H04R 5/00; H04R 5/02;

(Continued)

(56) **References Cited**

U.S. PATENT DOCUMENTS

D485,825 S * 1/2004 Yoneda D14/215
D551,655 S * 9/2007 Kim D14/214

(Continued)

Primary Examiner — Ramzi S Almatrahi

Assistant Examiner — Charles Cunningham

(74) *Attorney, Agent, or Firm* — Merchant & Gould PC

(57) **CLAIM**

The ornamental design for a furniture mounted smart speaker, as shown and described.

DESCRIPTION

FIG. 1 is a top perspective view of a first embodiment of a furniture mounted smart speaker showing our new design; FIG. 2 is a bottom perspective view of the furniture mounted smart speaker of FIG. 1.

FIG. 3 is a front view of the furniture mounted smart speaker of FIG. 1.

FIG. 4 is a rear view of the furniture mounted smart speaker of FIG. 1.

FIG. 5 is a right side view of the furniture mounted smart speaker of FIG. 1.

FIG. 6 is a left side view of the furniture mounted smart speaker of FIG. 1.

FIG. 7 is a top view of the furniture mounted smart speaker of FIG. 1.

FIG. 8 is a bottom view of the furniture mounted smart speaker of FIG. 1.

FIG. 9 is a top perspective view of a second embodiment of a furniture mounted smart speaker showing our new design; FIG. 10 is a bottom perspective view of the furniture mounted smart speaker of FIG. 9.

FIG. 11 is a front view of the furniture mounted smart speaker of FIG. 9.

FIG. 12 is a rear view of the furniture mounted smart speaker of FIG. 9.

FIG. 13 is a right side view of the furniture mounted smart speaker of FIG. 9.

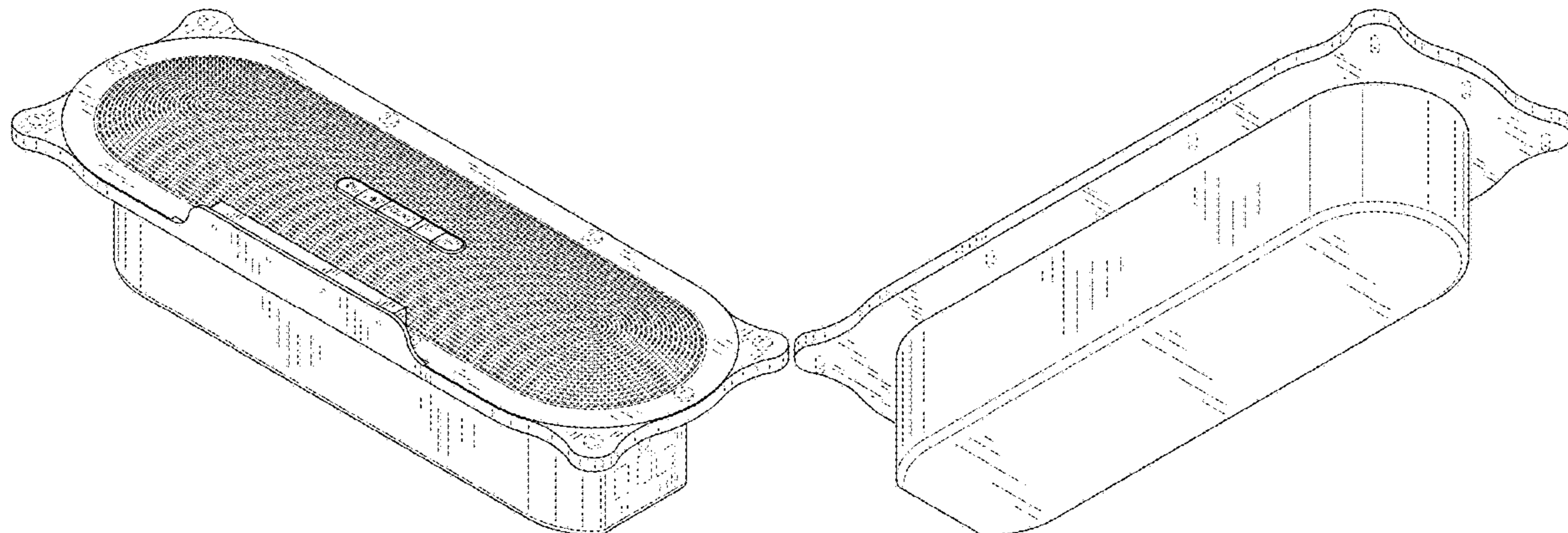
FIG. 14 is a left side view of the furniture mounted smart speaker of FIG. 9.

FIG. 15 is a top view of the furniture mounted smart speaker of FIG. 9; and,

FIG. 16 is a bottom view of the furniture mounted smart speaker of FIG. 9.

The broken lines depict portions of the furniture mounted smart speaker in which the design is embodied that form no part of the claimed design.

1 Claim, 16 Drawing Sheets



(58) **Field of Classification Search**

CPC H04R 9/06; H04R 2420/07; H04R
2201/021; H04R 2400/00; B60R 11/0217;
G06F 1/1688; G10K 9/22; G10K 11/004;
H04S 3/00; H04S 7/30

See application file for complete search history.

(56) **References Cited**

U.S. PATENT DOCUMENTS

D641,006	S	*	7/2011	Anthony	D14/214
D643,015	S	*	8/2011	Kim	D14/211
D643,016	S	*	8/2011	Kim	D14/211
D643,018	S	*	8/2011	Kim	D14/214
D674,779	S	*	1/2013	Joseph	D14/214
D790,511	S	*	6/2017	Liu	D14/216
D803,812	S	*	11/2017	Liu	D14/216
D819,592	S	*	6/2018	Folkmann	D14/149
D839,235	S	*	1/2019	Kitamura	D14/204
D843,351	S	*	3/2019	Osborn	D14/214
D886,790	S	*	6/2020	Yang	D14/204

* cited by examiner

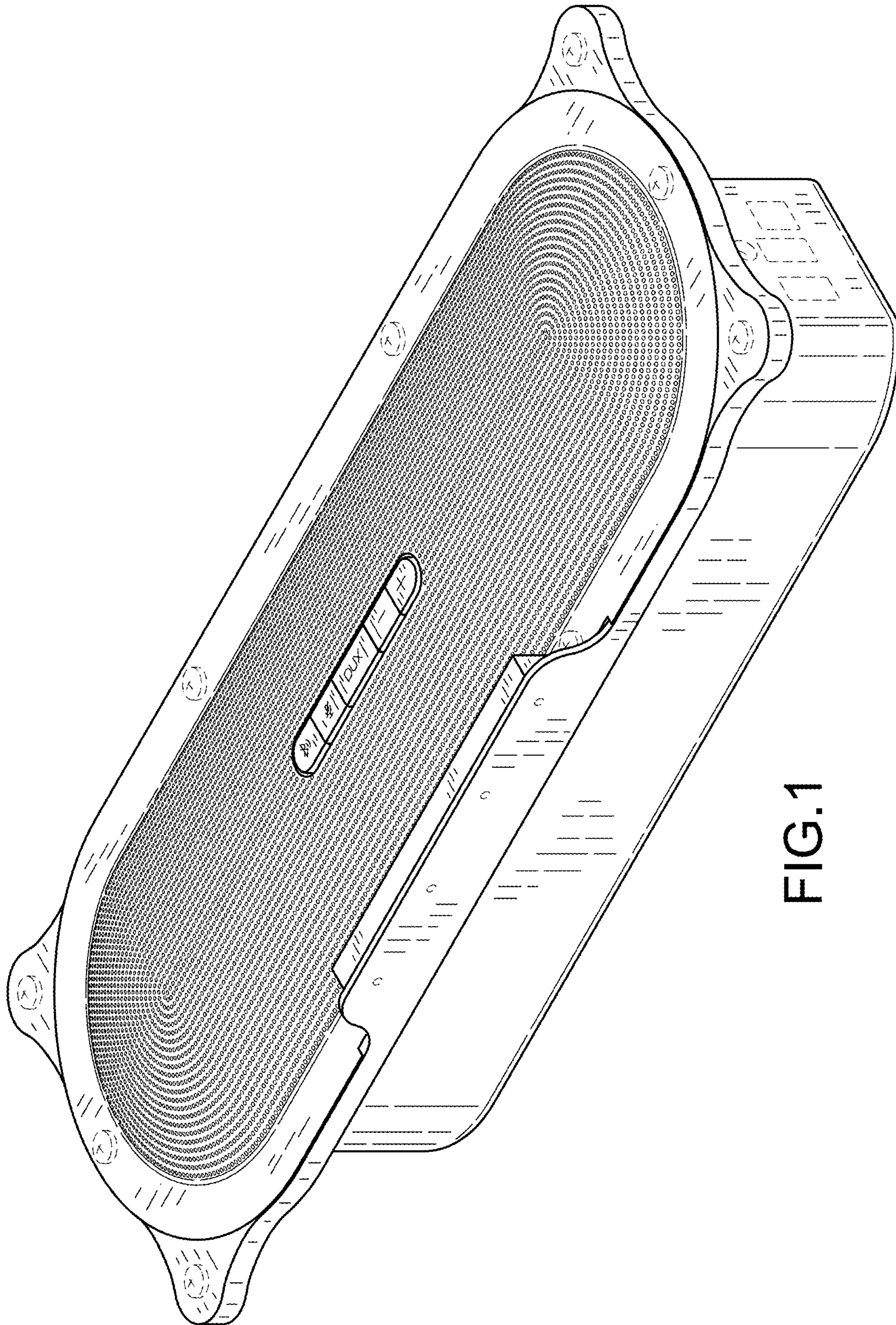


FIG.1

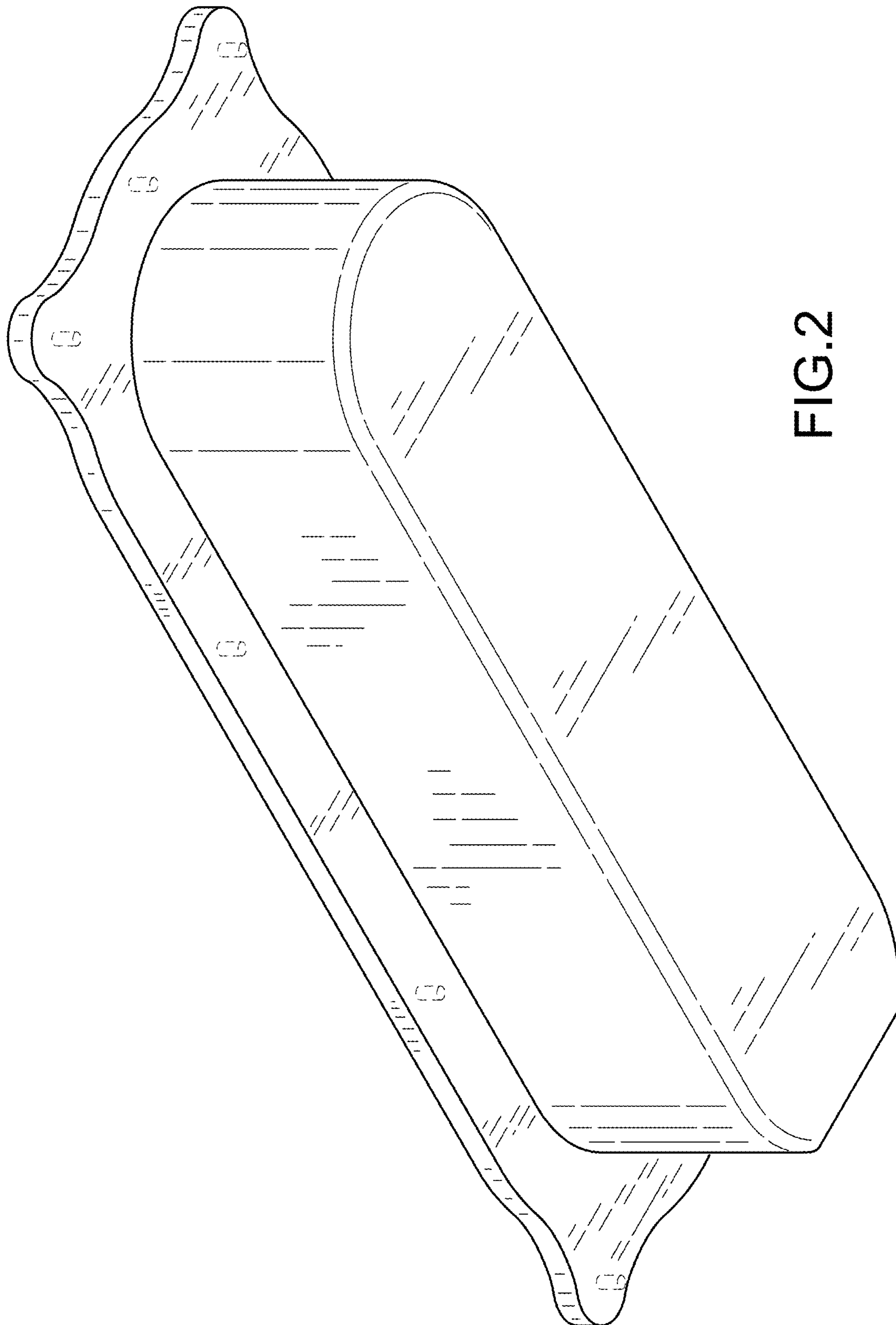


FIG.2

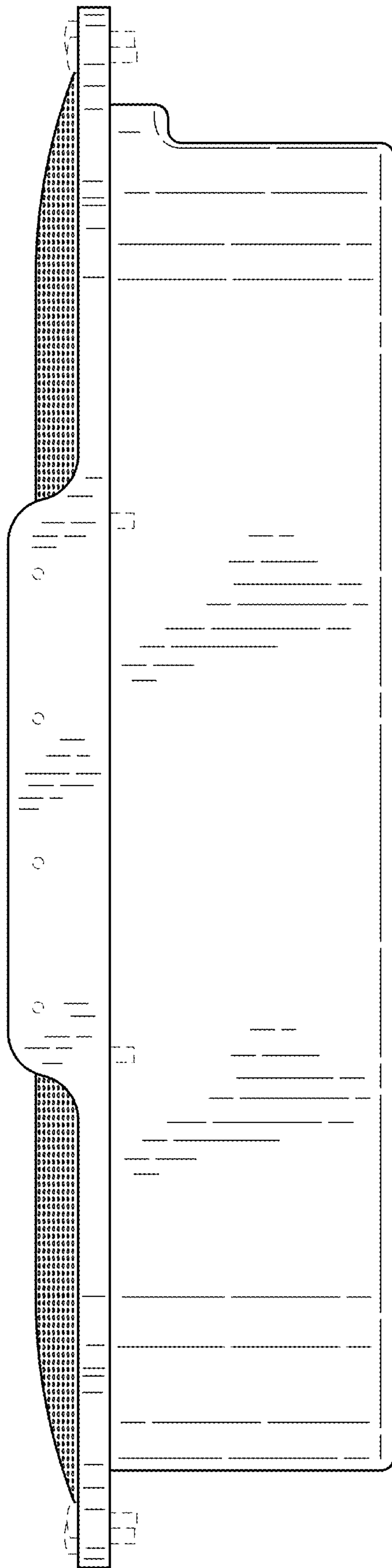


FIG.3

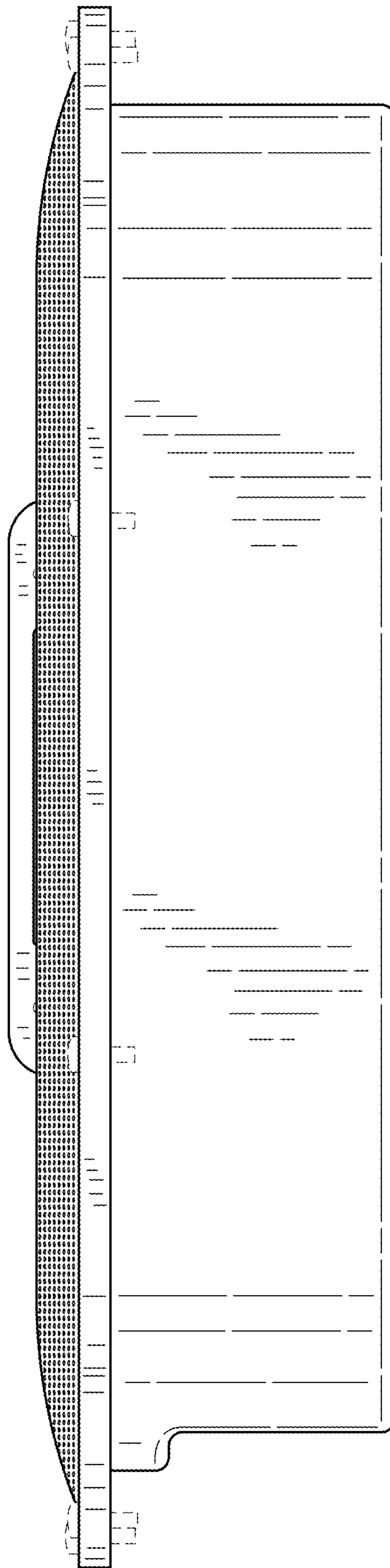


FIG.4

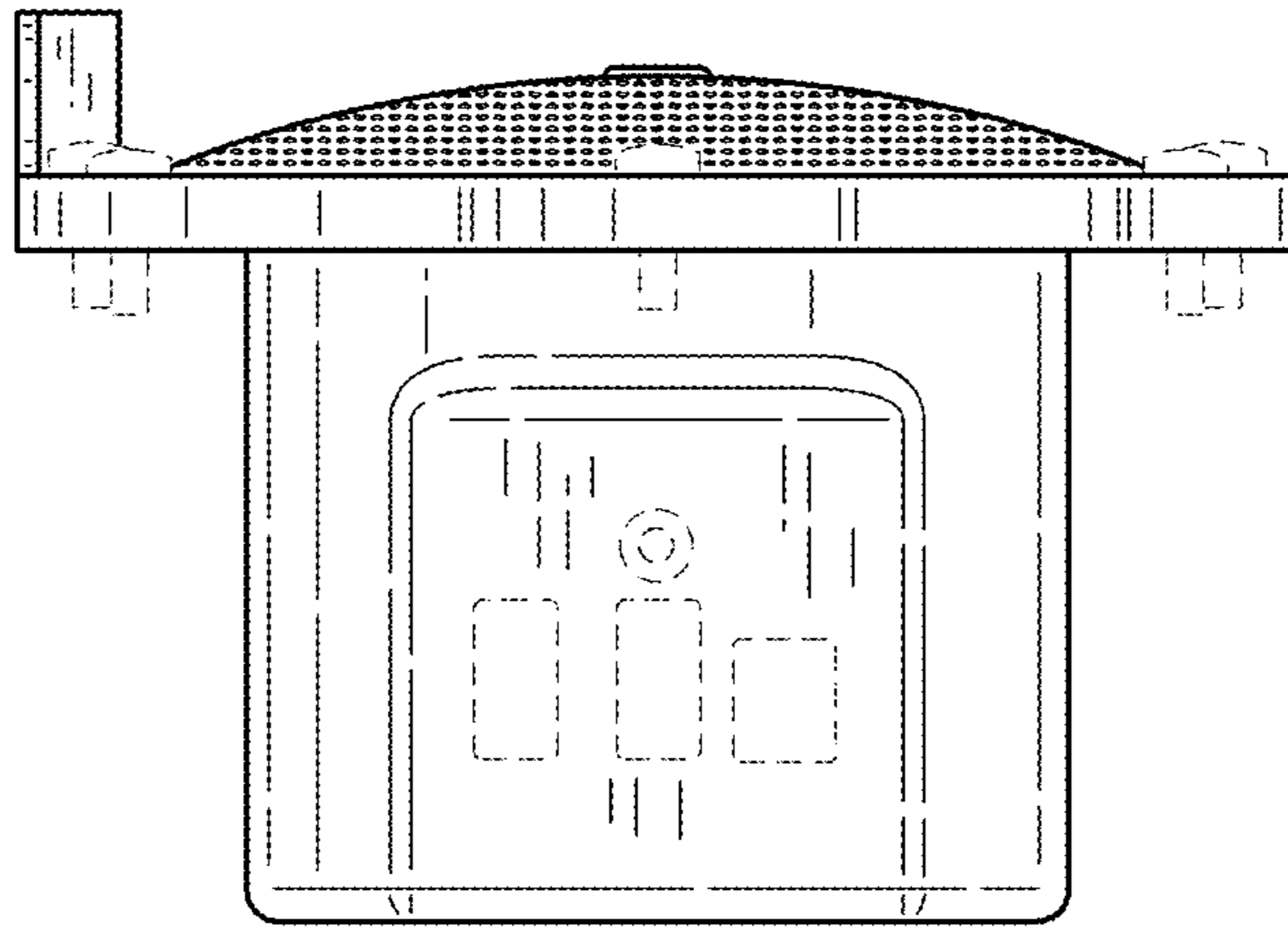


FIG.5

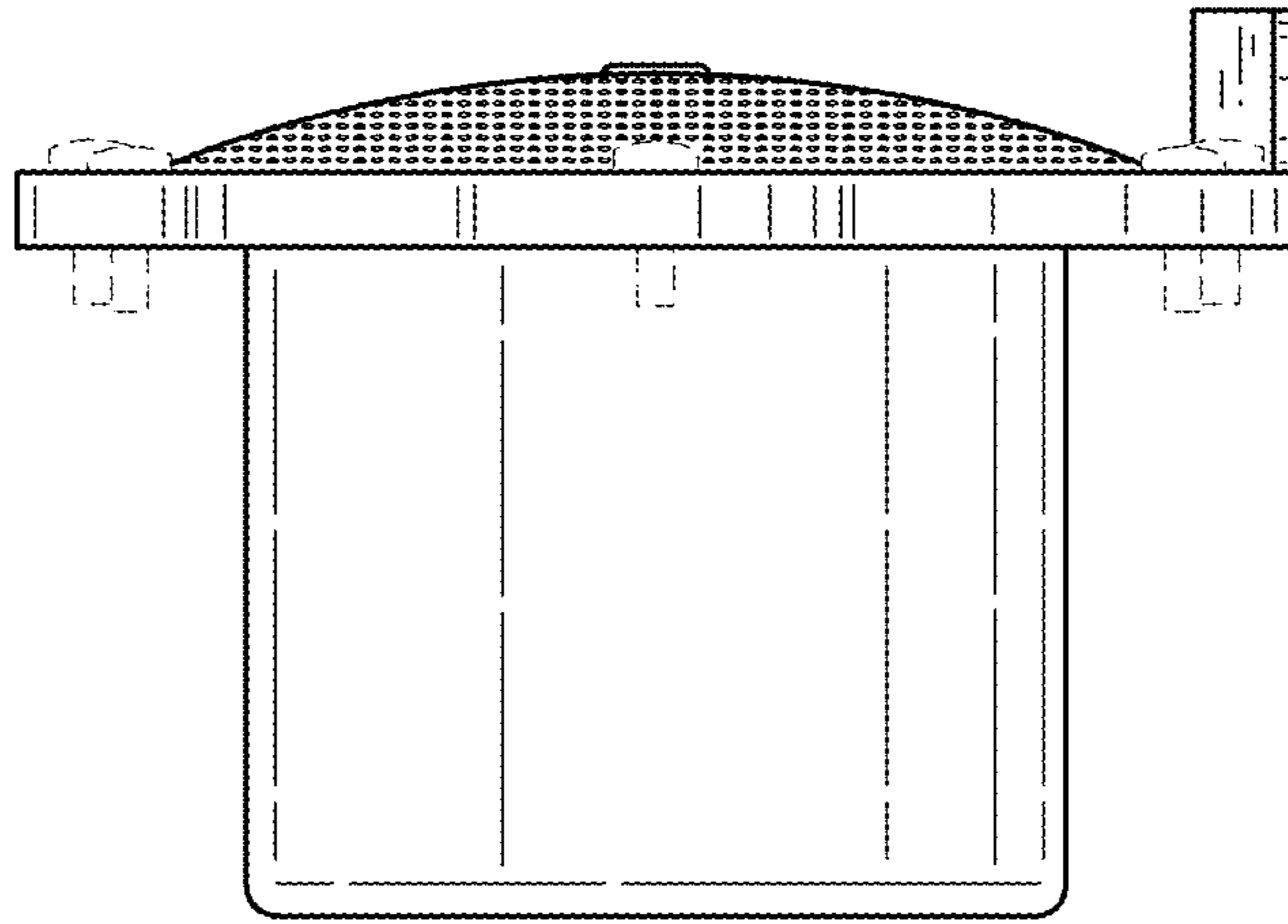


FIG.6

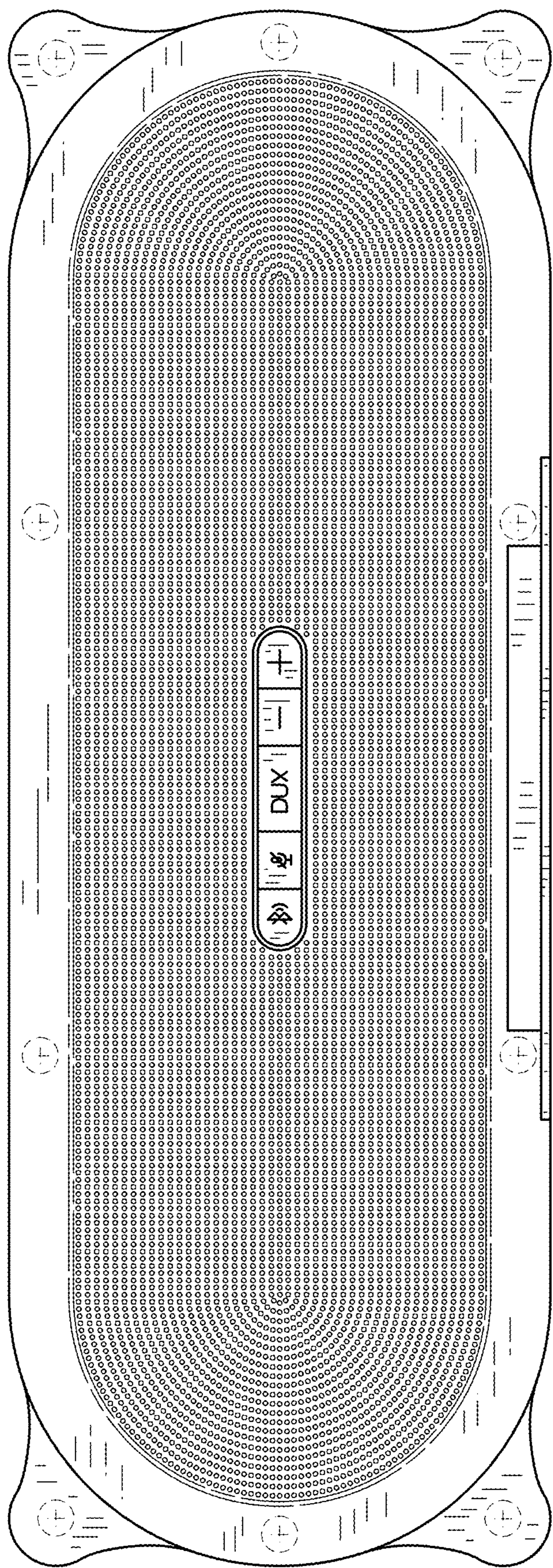


FIG. 7

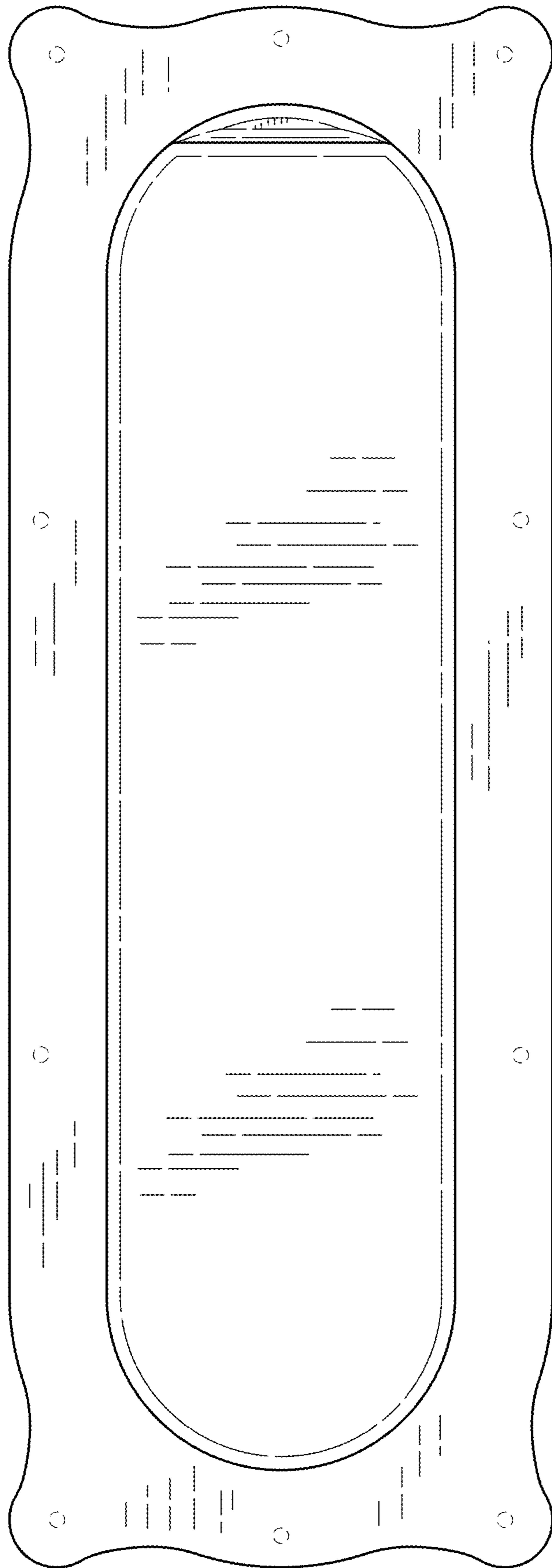


FIG.8

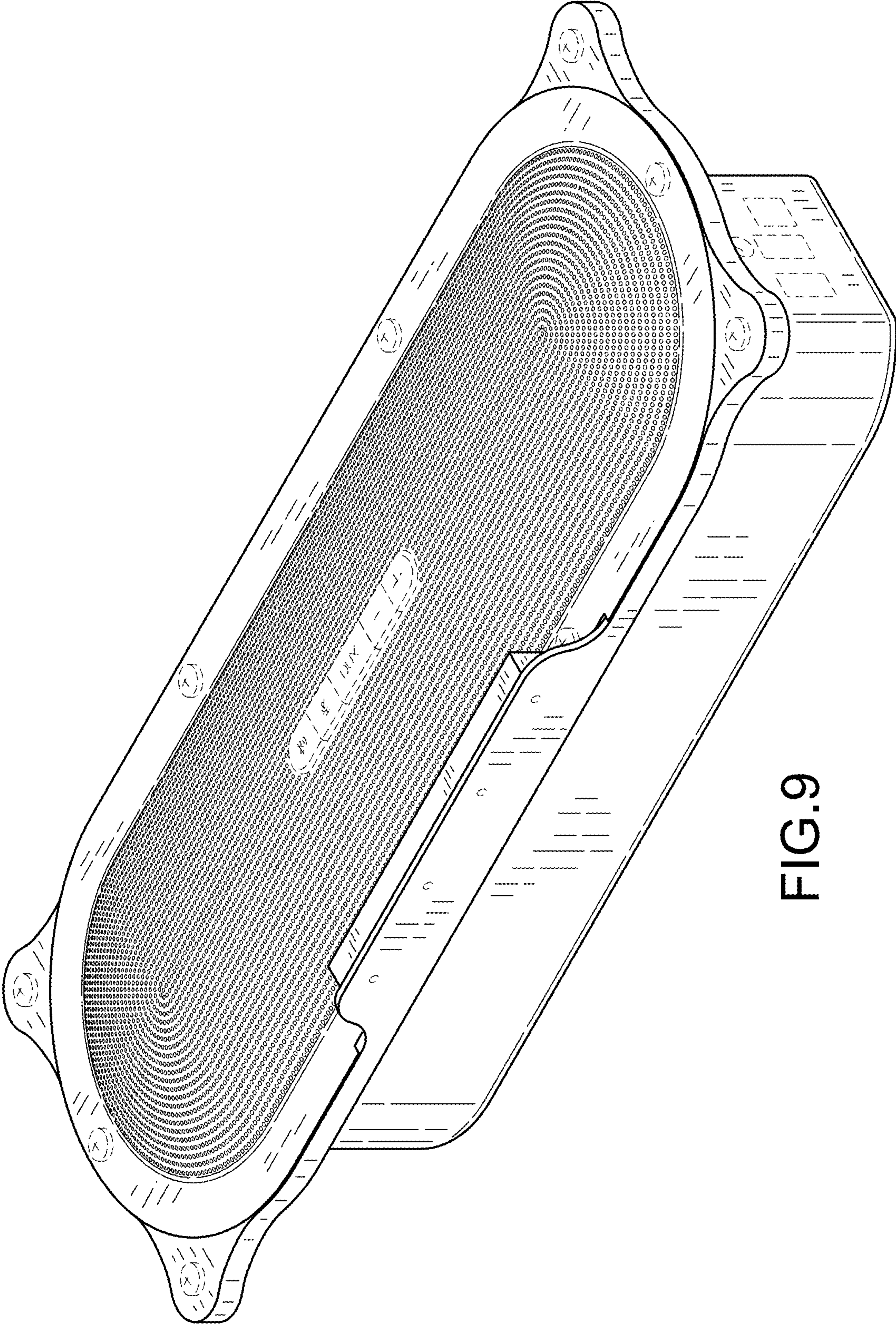


FIG.9

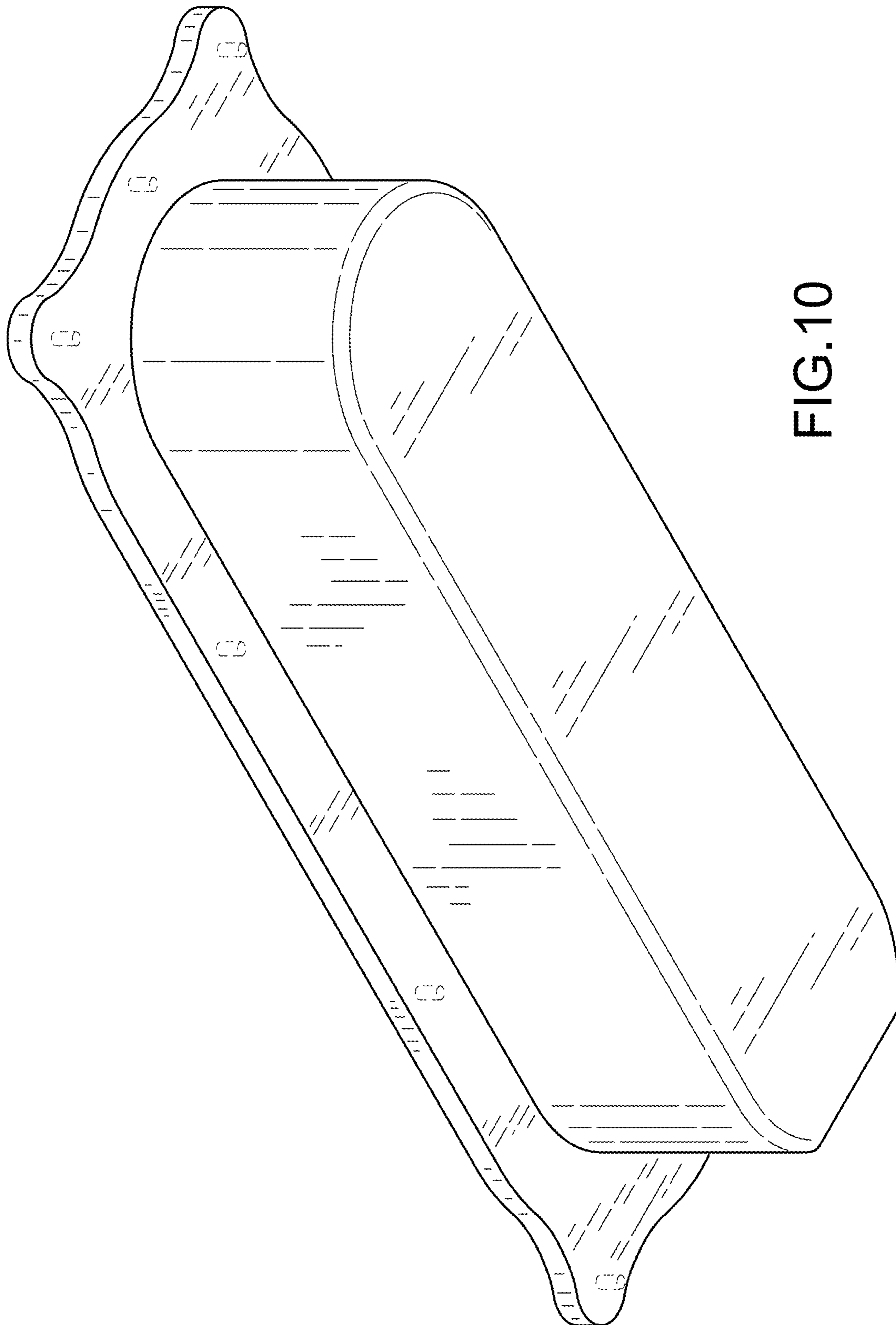


FIG.10

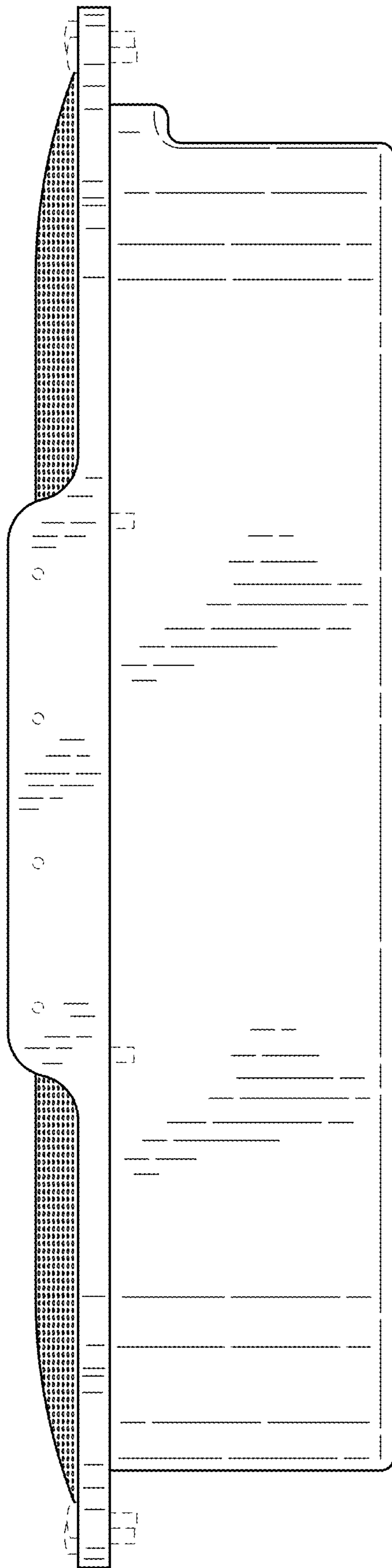


FIG.11

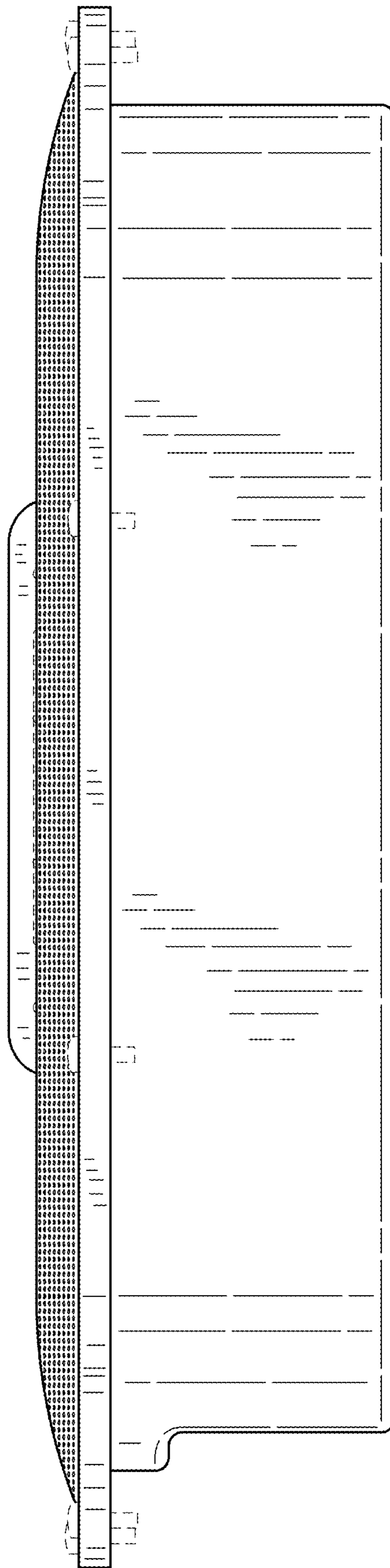


FIG.12

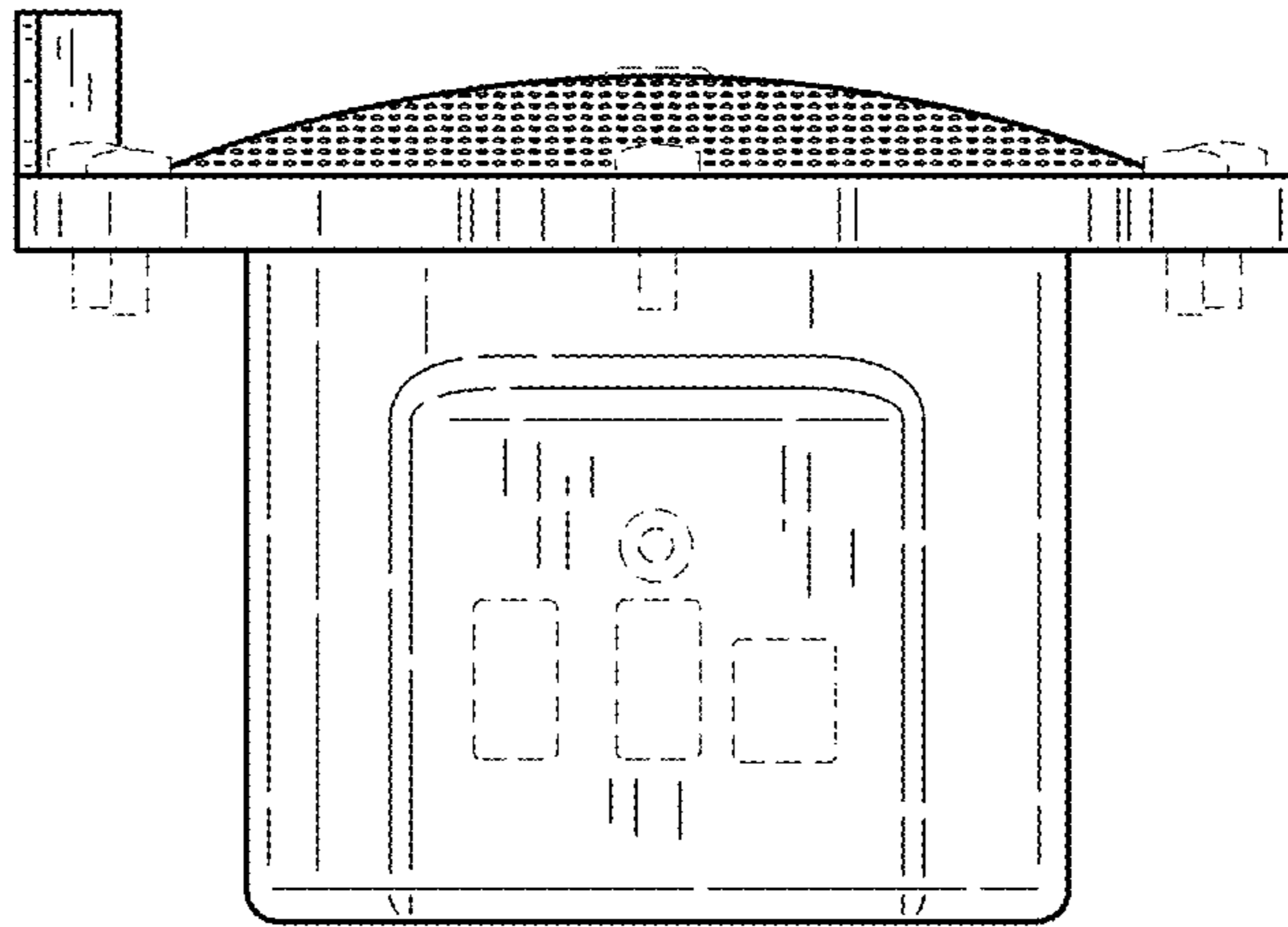


FIG.13

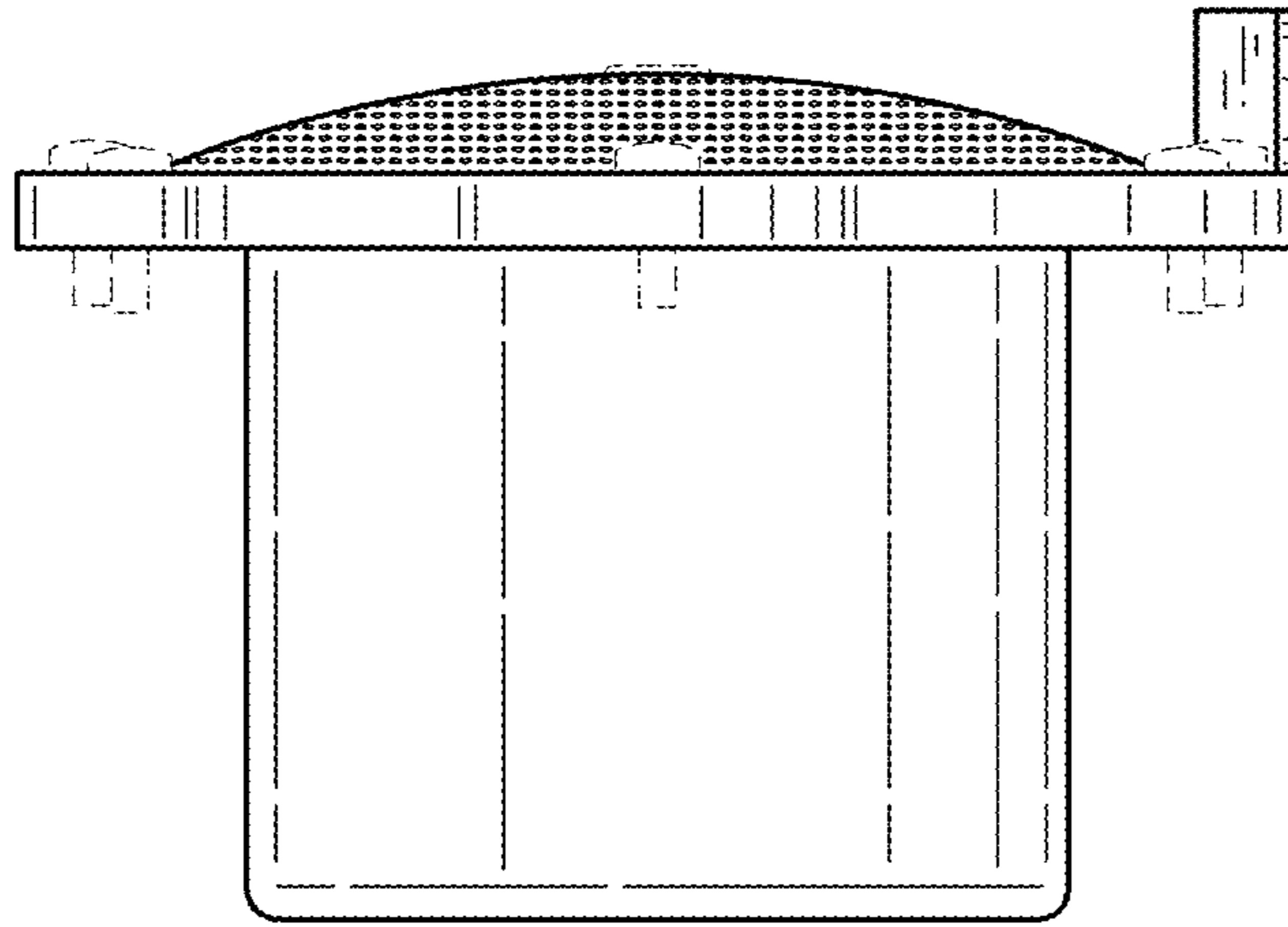


FIG.14

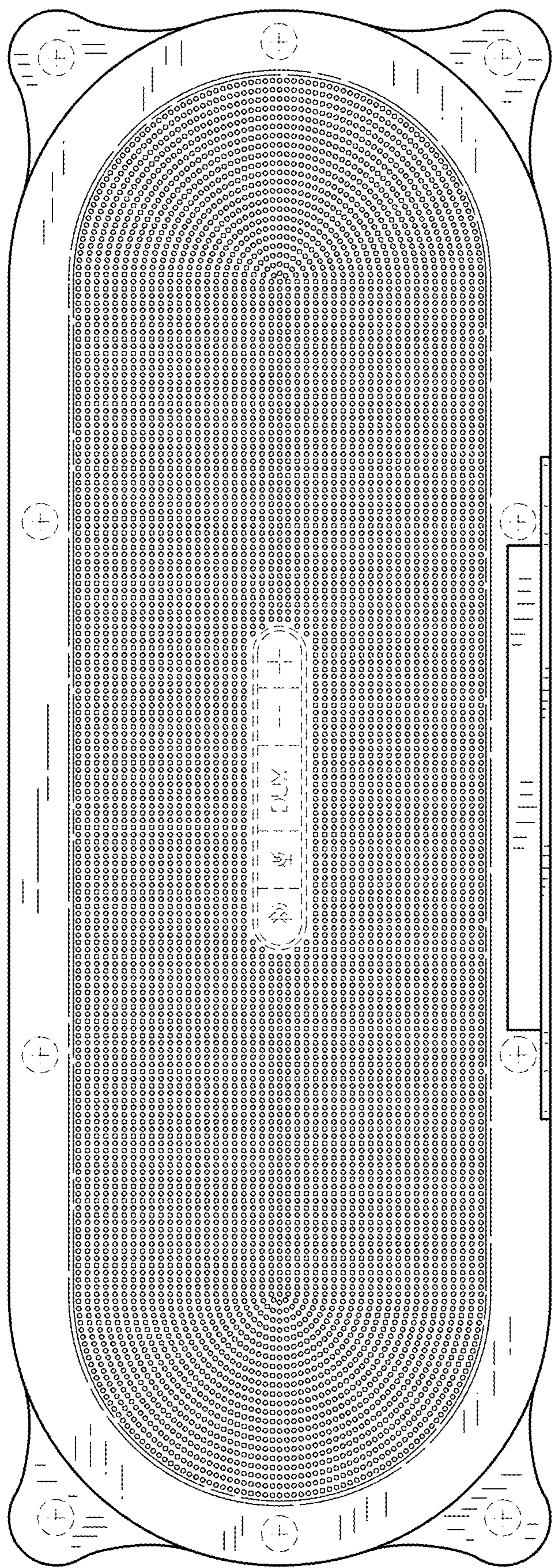


FIG.15

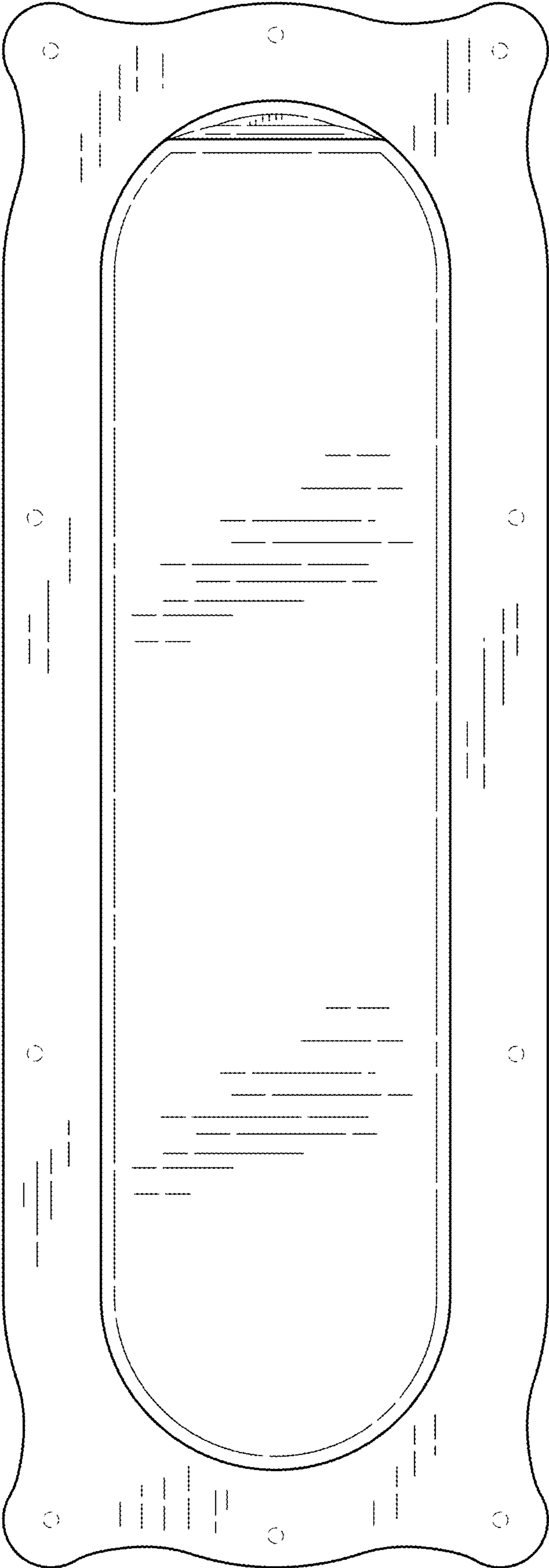


FIG.16