



US00D924198S

(12) **United States Design Patent**
Ruan et al.

(10) **Patent No.:** **US D924,198 S**
(45) **Date of Patent:** **** Jul. 6, 2021**

- (54) **SPEAKER HOUSING**
- (71) Applicant: **ADVANCED NEW TECHNOLOGIES CO., LTD.**, Grand Cayman (KY)
- (72) Inventors: **Songyi Ruan**, Hangzhou (CN); **Yuanyi Ye**, Hangzhou (CN)
- (73) Assignee: **ADVANCED NEW TECHNOLOGIES CO., LTD.**, Grand Cayman (KY)

D486,475 S *	2/2004	Allen	D14/214
D712,377 S *	9/2014	Delrue	D14/213
D771,592 S *	11/2016	Cloarec	D14/212
D773,389 S *	12/2016	Miller	D13/103
D777,146 S *	1/2017	Cheng	D14/221
D780,113 S *	2/2017	Xianxi	D13/103
D805,499 S *	12/2017	Crolla	D14/214

- (**) Term: **15 Years**
- (21) Appl. No.: **29/713,272**
- (22) Filed: **Nov. 14, 2019**

OTHER PUBLICATIONS

Lego Compatible BOSEbuild Speaker, announced Jun. 2017, [online], site visited Dec. 9, 2020. Available from Internet, URL: <http://www.thingiverse.com> (Year: 2017).*

* cited by examiner

Primary Examiner — Janice Patyk

(30) **Foreign Application Priority Data**

May 16, 2019 (CN) 201930236826.1

(51) **LOC (13) Cl.** **14-01**

(52) **U.S. Cl.**
USPC **D14/204**

(58) **Field of Classification Search**
USPC D14/170–172, 188, 203.1, 203.3, 204, D14/348
CPC . H04R 1/02; H04R 1/023; H04R 5/02; H04R 7/00; H04R 7/02; H04R 9/06; H04R 2400/00
See application file for complete search history.

(57) **CLAIM**

The ornamental design for a speaker housing, as shown and described.

DESCRIPTION

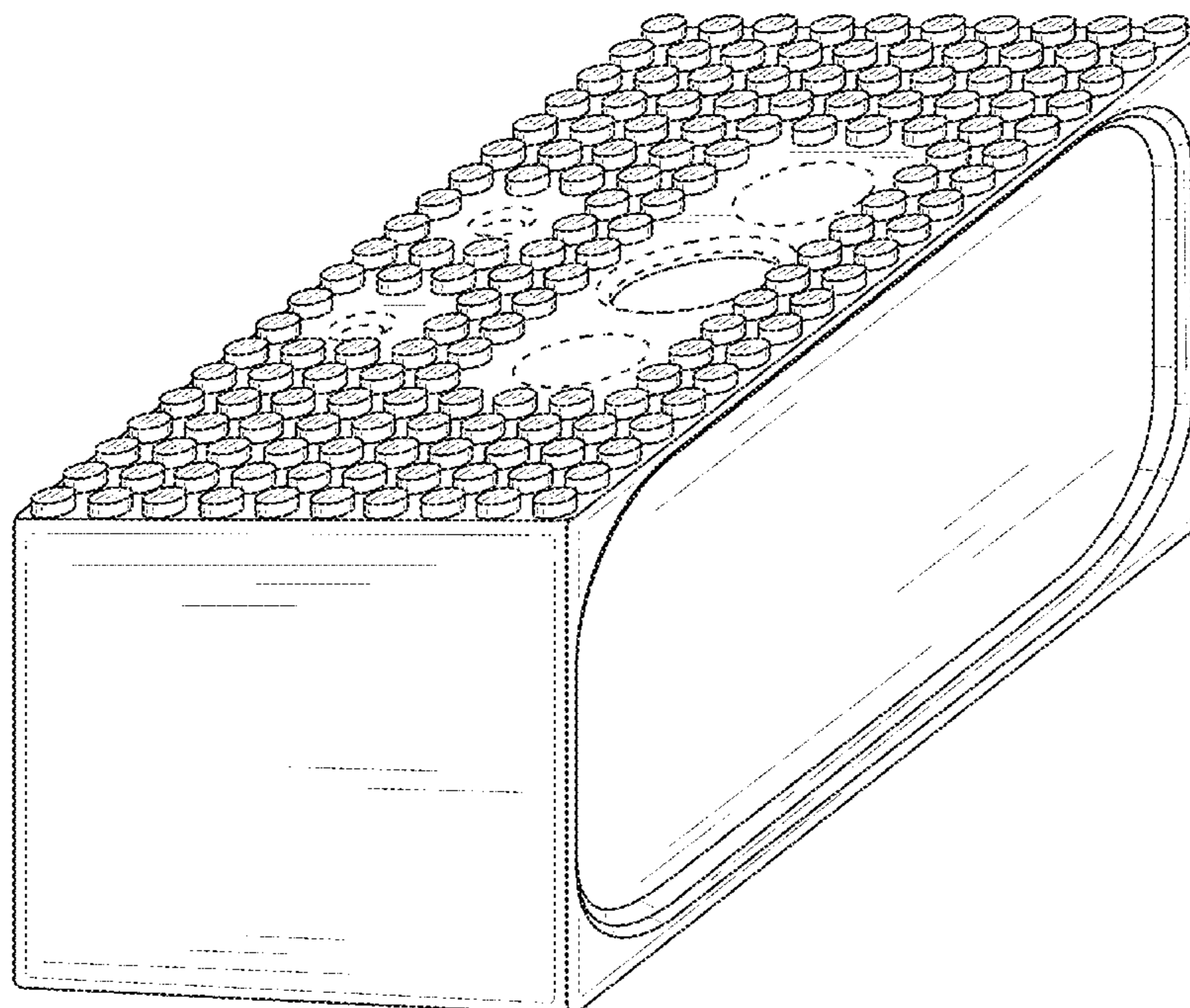
FIG. 1 is a front view of a speaker housing, showing our new design;
FIG. 2 is a rear view thereof;
FIG. 3 is a left side view thereof;
FIG. 4 is a right side view thereof;
FIG. 5 is a top view thereof;
FIG. 6 is a bottom view thereof; and,
FIG. 7 is a top, front perspective view thereof.
The broken lines in the figures illustrate the portions of the design that form no part of the claimed design.

(56) **References Cited**

U.S. PATENT DOCUMENTS

D385,279 S *	10/1997	Diute	D14/216
D486,474 S *	2/2004	Allen	D14/215

1 Claim, 4 Drawing Sheets



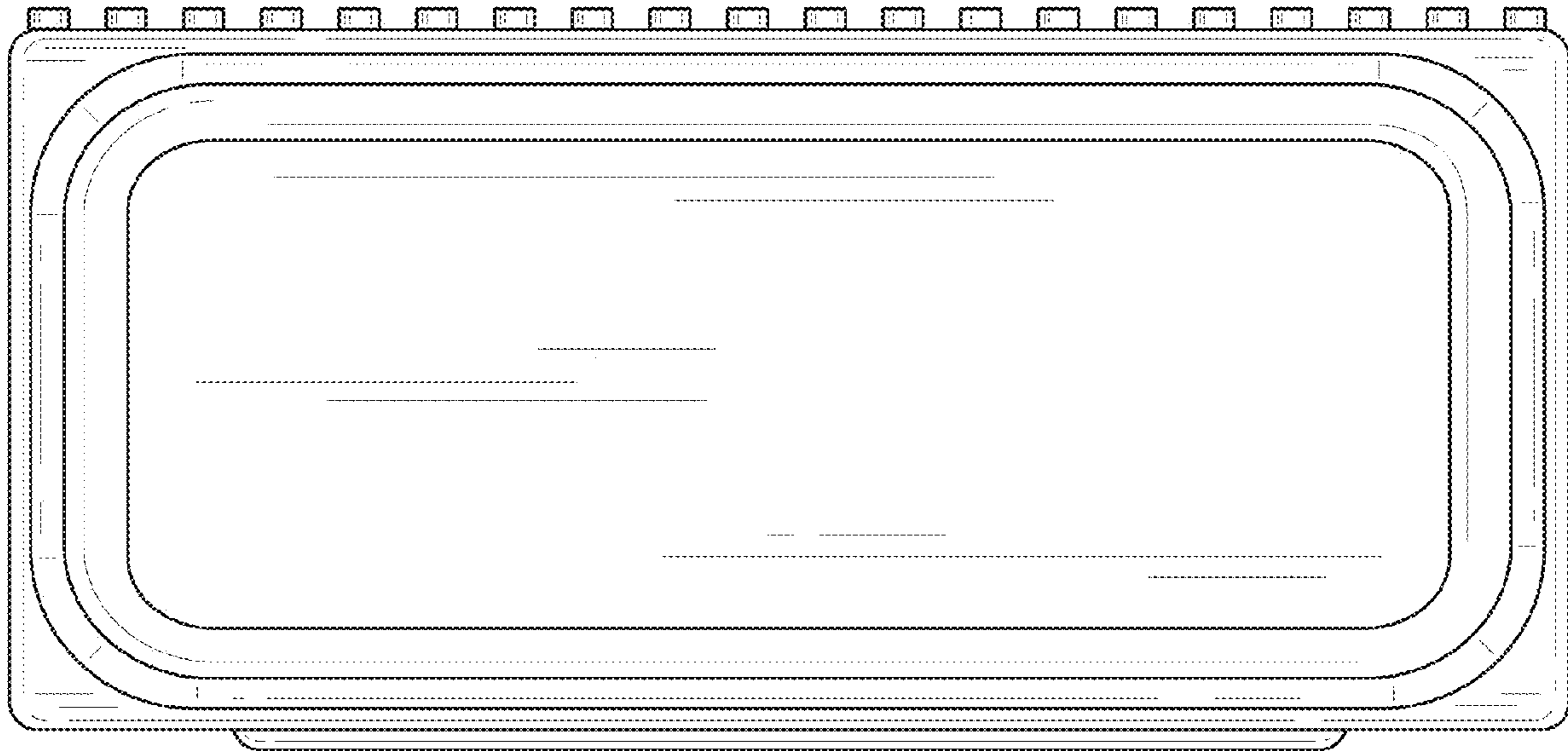


FIG. 1

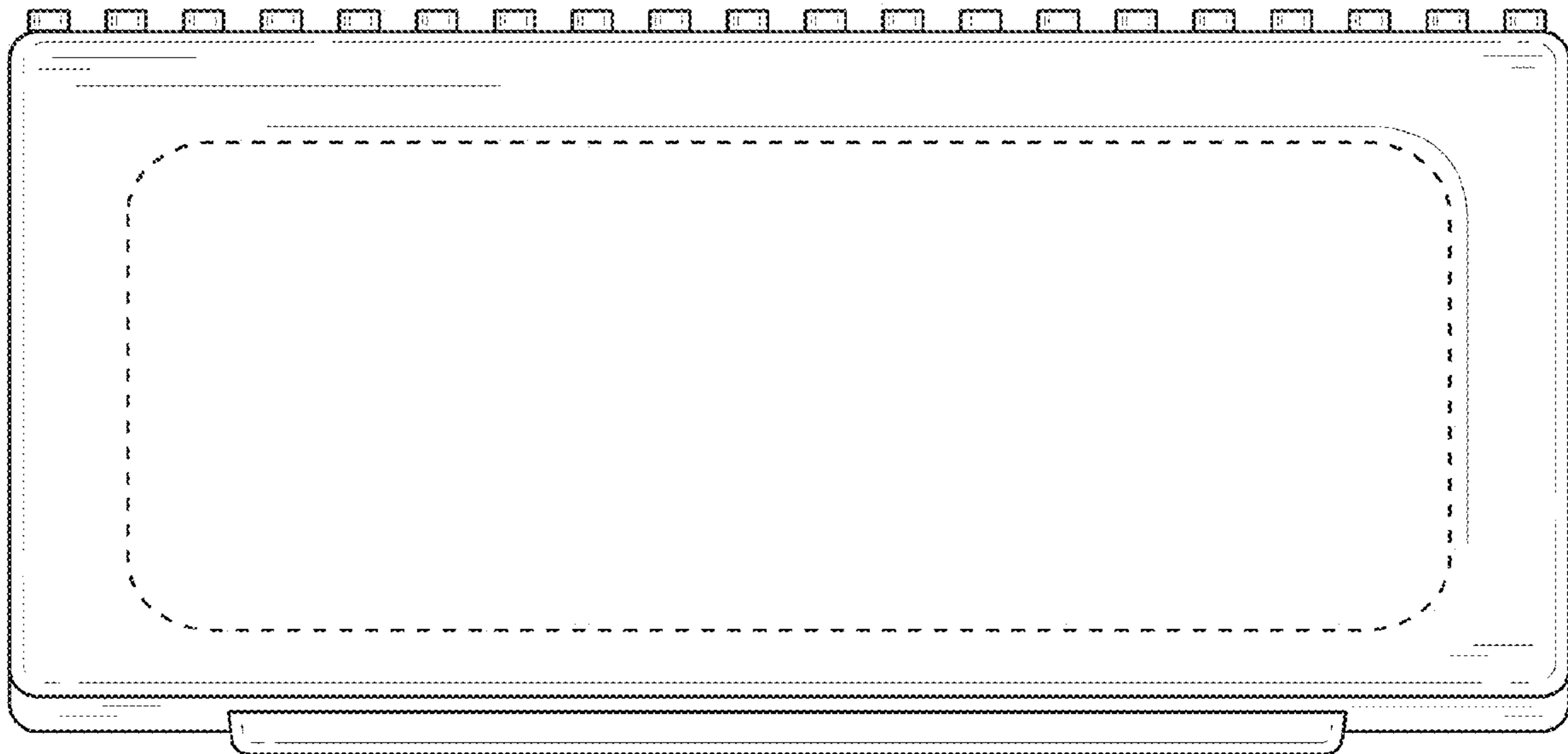


FIG. 2

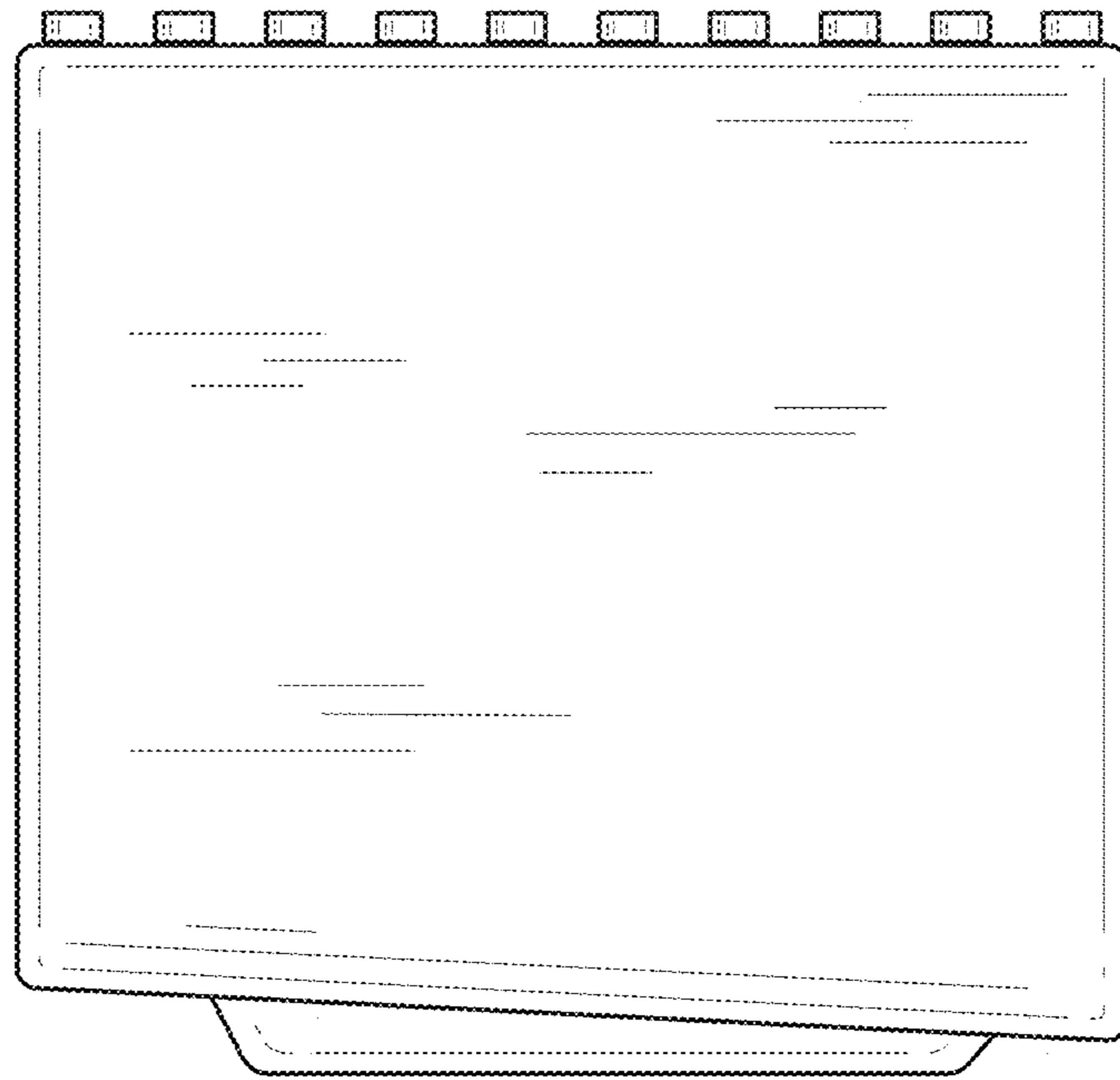


FIG. 3

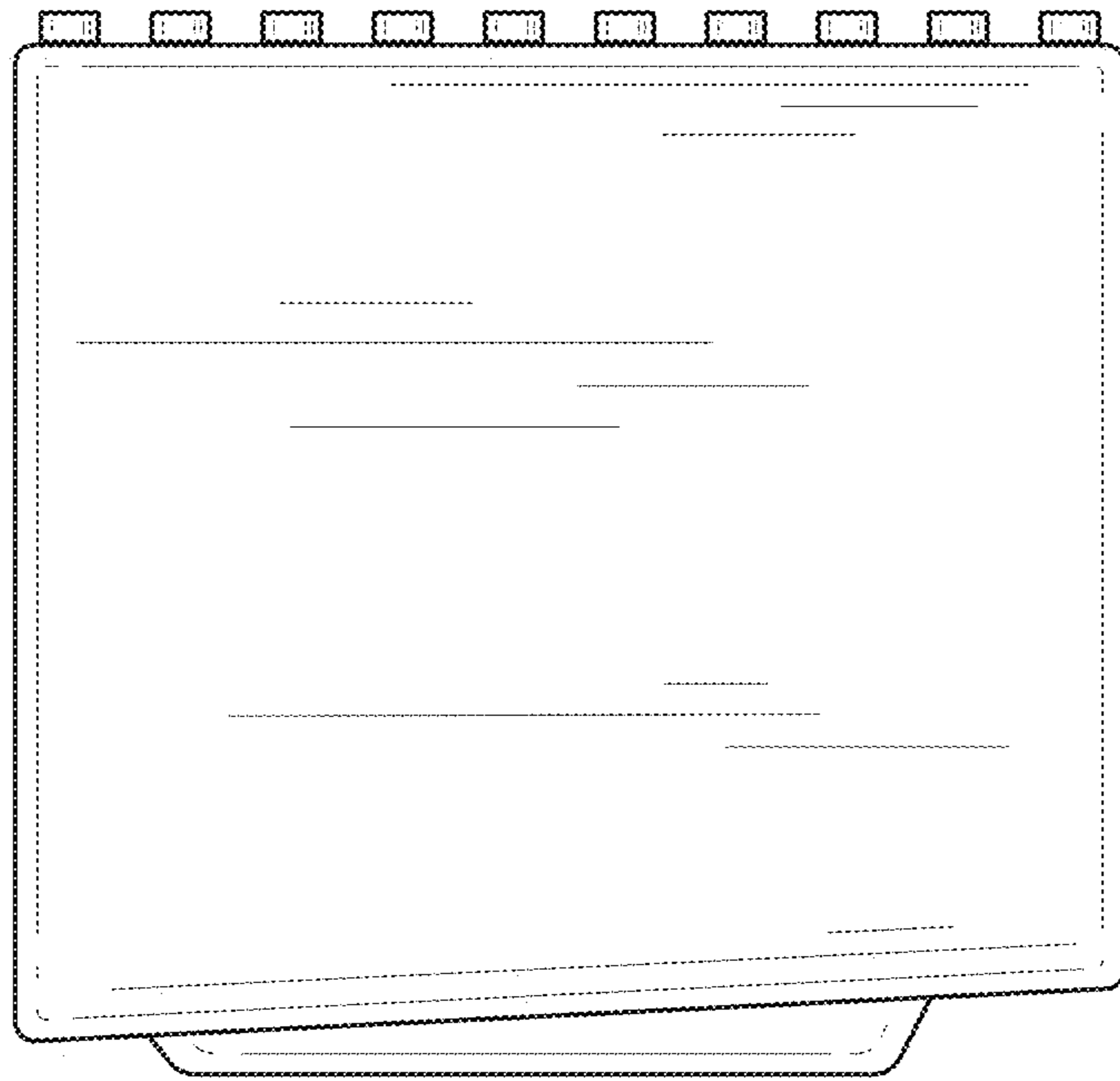


FIG. 4

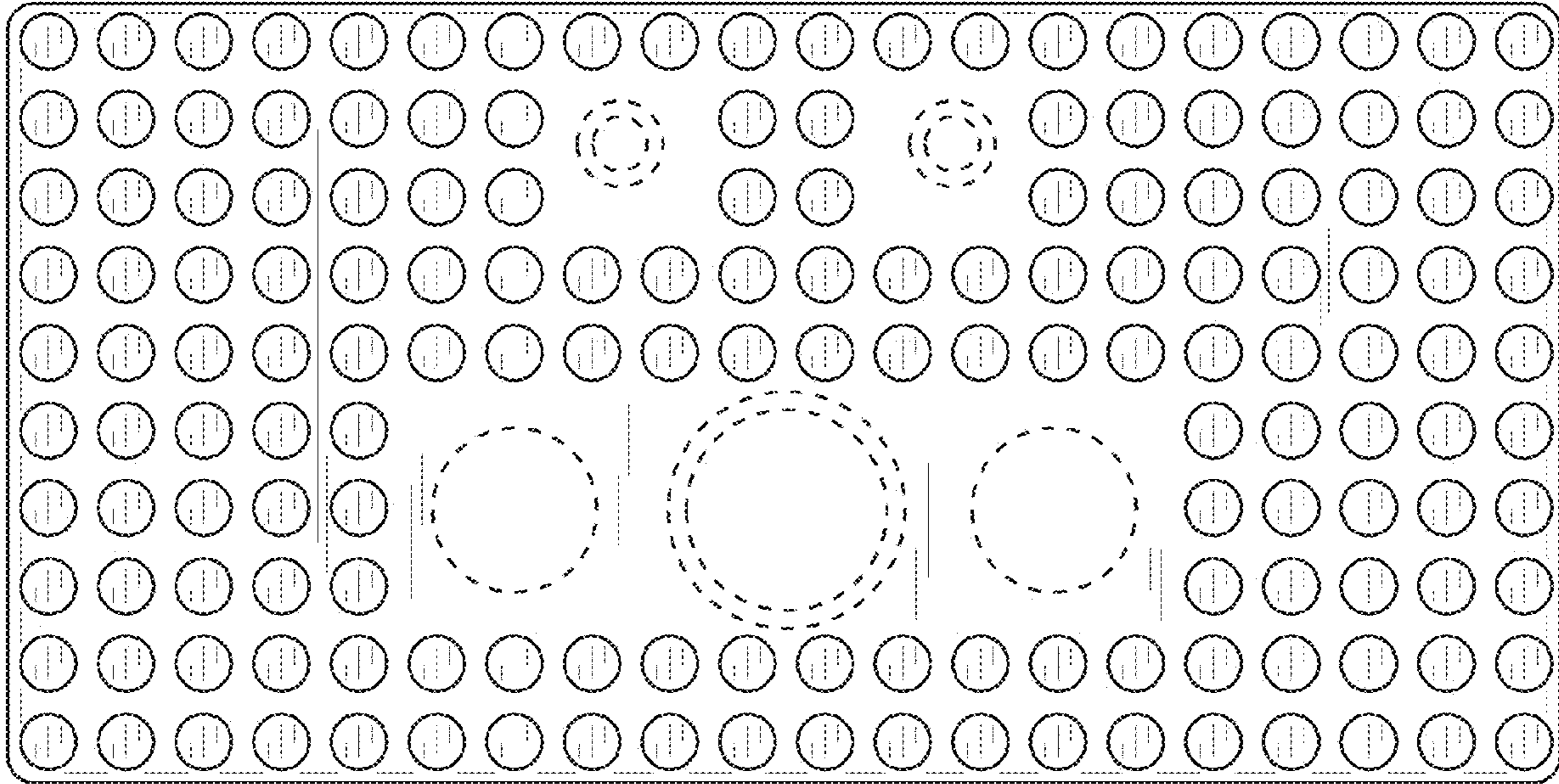


FIG. 5

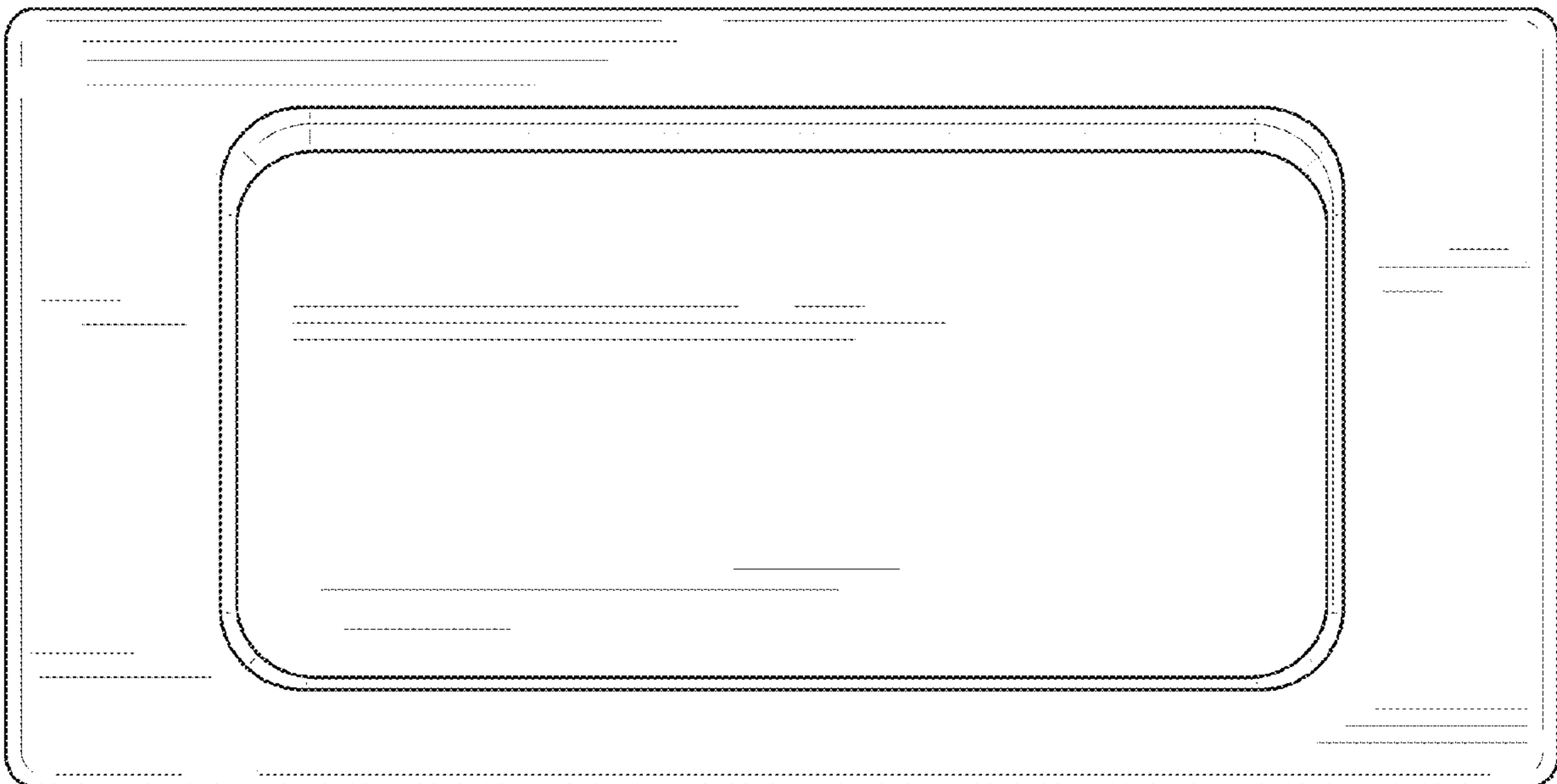


FIG. 6

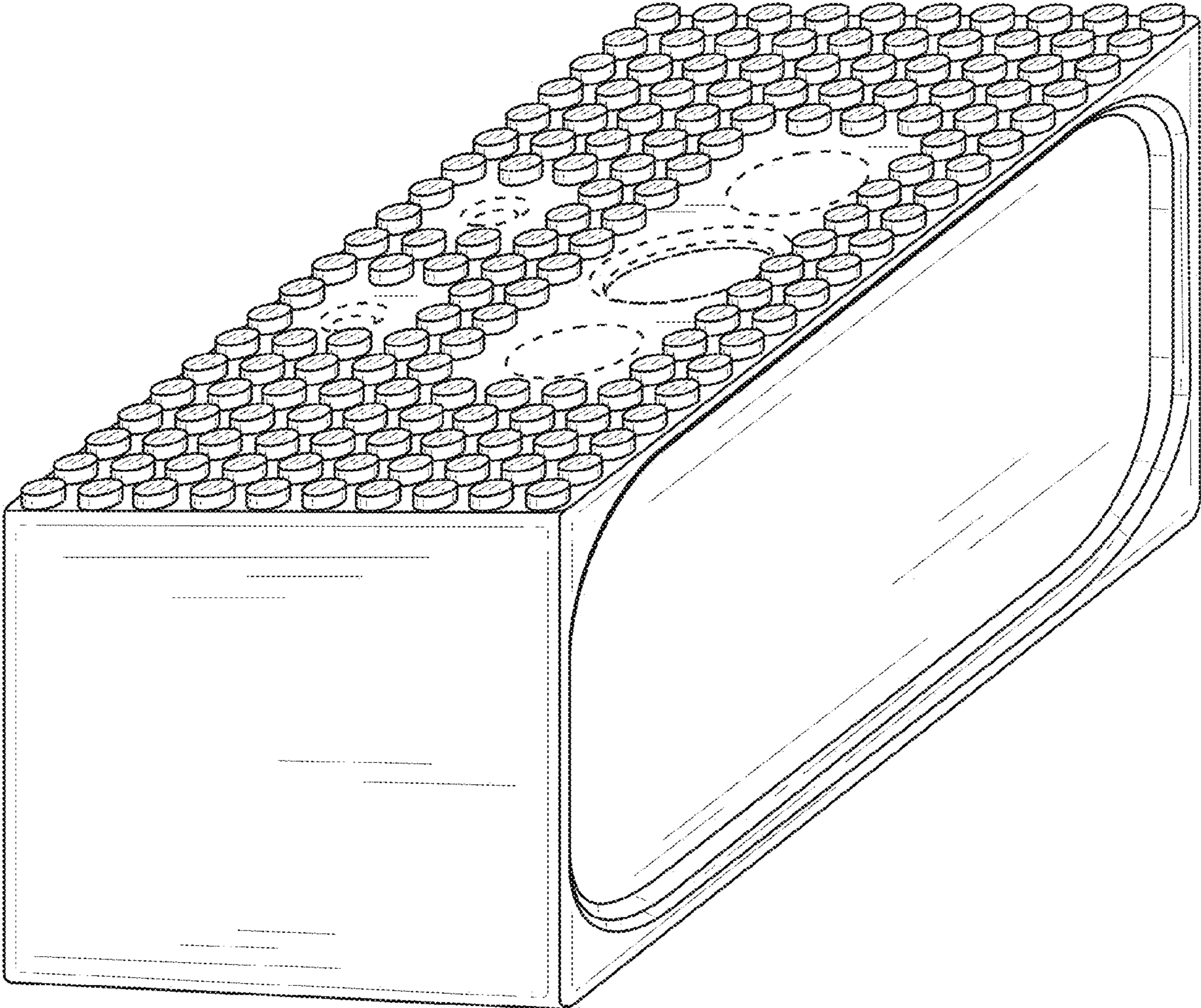


FIG. 7