



US00D924196S

(12) **United States Design Patent**  
**Wang**

(10) **Patent No.:** **US D924,196 S**

(45) **Date of Patent:** **\*\* Jul. 6, 2021**

(54) **DOCKING STATION WITH A SPEAKER**

(71) Applicant: **BIZLINK INTERNATIONAL CORPORATION**, New Taipei (TW)

(72) Inventor: **Shih-Yung Wang**, New Taipei (TW)

(73) Assignee: **BIZLINK INTERNATIONAL CORPORATION**, New Taipei (TW)

(\*\*) Term: **15 Years**

(21) Appl. No.: **29/724,578**

(22) Filed: **Feb. 18, 2020**

(51) **LOC (13) Cl.** ..... **14-03**

(52) **U.S. Cl.**  
USPC ..... **D14/149**

(58) **Field of Classification Search**  
USPC ..... D14/209–219, 167–172, 188, 199,  
D14/194–196, 204, 221–222, 224, 496,  
D14/265, 209.1, 432–434, 149; D21/516,  
D21/513, 324, 478–480, 499; D13/168;  
D23/332–336, 352, 355–366, 269,  
D23/135–137; D26/135, 137, 22, 51, 9,  
D26/93  
CPC ..... H04R 1/02; H04R 1/023; H04R 1/021;  
A44C 5/0007; A44C 5/0015; A44C  
5/0023; A44C 5/0084  
See application file for complete search history.

(56) **References Cited**

**U.S. PATENT DOCUMENTS**

D591,269 S *	4/2009	Kim	.....	D14/216
D601,564 S *	10/2009	Maeno	.....	D14/400
D602,911 S *	10/2009	Wang	.....	D14/216
D652,898 S *	1/2012	Flowers	.....	D23/252
D658,640 S *	5/2012	Ivaskevicius	.....	D14/242
D682,805 S *	5/2013	Rath	.....	D14/149
D728,507 S *	5/2015	Brandis	.....	D14/149
D784,963 S *	4/2017	Saule	.....	D14/228
D810,045 S *	2/2018	Kim	.....	D14/204

D810,698 S *	2/2018	Hahn	.....	D13/156
D811,361 S *	2/2018	Peng	.....	D14/149
D814,436 S *	4/2018	Wen	.....	D14/150

(Continued)

**OTHER PUBLICATIONS**

USB C Hub Multifunction Adapter , first available Dec. 17, 2019, amazon.com, [online], [site visited Feb. 19, 2021], Available from internet URL:https://www.amazon.com/USB-Hub-Multifunction-Adapter-Converter/dp/B082TX97MN/ref=sr\_1\_721\_sspa?dchild=1&keywords=USB+C+Hub&qid=16%E2%80%A6 (Year: 2019).\*

(Continued)

*Primary Examiner* — Samantha Q Lawrence

*Assistant Examiner* — Holly M Rodriguez

(74) *Attorney, Agent, or Firm* — Karin L. Williams; Alan D. Kamrath; Mayer & Williams PC

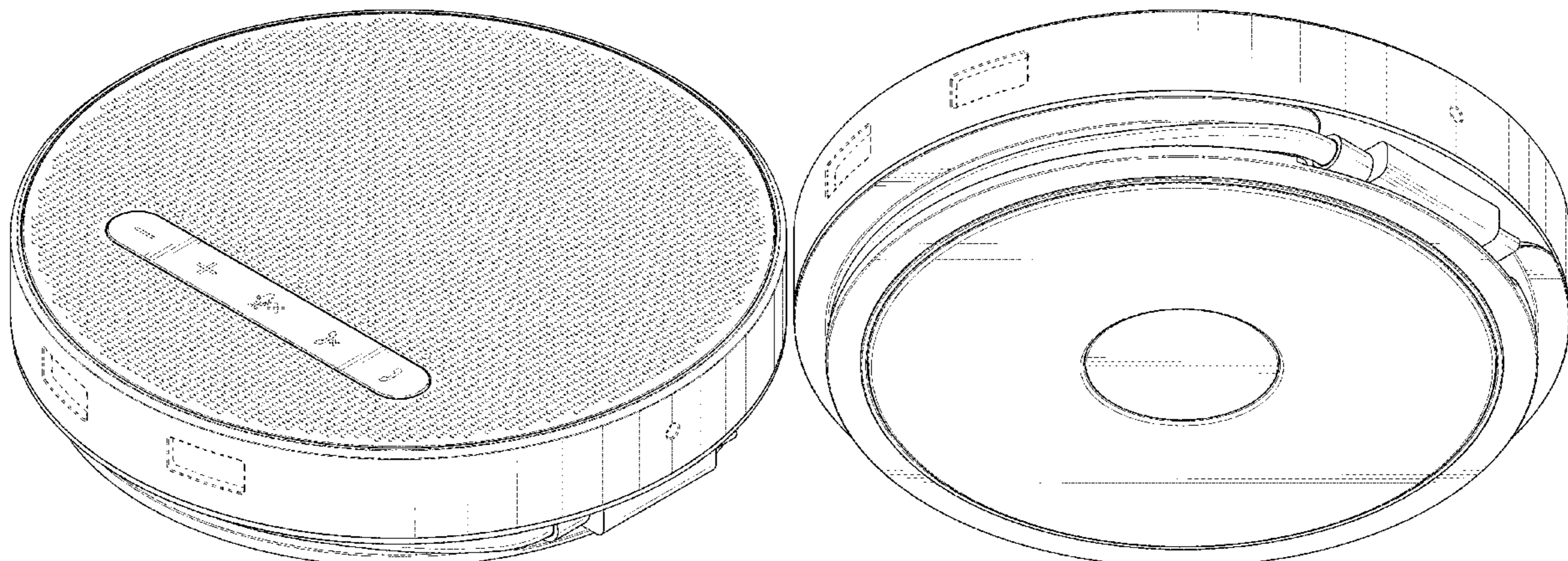
(57) **CLAIM**

The ornamental design for a docking station with a speaker, as shown and described.

**DESCRIPTION**

FIG. 1 is a perspective view of a docking station with a speaker, showing my new design;  
FIG. 2 is a front view thereof;  
FIG. 3 is a rear view thereof;  
FIG. 4 is a left side view thereof;  
FIG. 5 is a right side view thereof;  
FIG. 6 is a top view thereof;  
FIG. 7 is a bottom view thereof;  
FIG. 8 is another perspective view thereof; and,  
FIG. 9 is an operational perspective view showing one end of a cable of the docking station with a speaker detached from a casing of the docking station with a speaker.  
The broken lines shown in FIGS. 1-6 and 8-9 illustrate portions of the docking station with a speaker that form no part of the claimed design.

**1 Claim, 9 Drawing Sheets**



(56)

**References Cited**

## U.S. PATENT DOCUMENTS

D819,596 S \* 6/2018 Sun ..... D14/211  
D829,242 S \* 9/2018 Laine ..... D14/496  
D829,690 S \* 10/2018 Chen ..... D14/216  
D859,350 S \* 9/2019 Pedersen ..... D14/149  
D865,768 S \* 11/2019 Du ..... D14/434  
D866,518 S \* 11/2019 Ding ..... D14/216  
D867,334 S \* 11/2019 She ..... D14/216  
10,483,681 B1 \* 11/2019 Du ..... G06F 3/0661  
D886,759 S \* 6/2020 Bailey ..... D14/149  
D901,427 S \* 11/2020 Zhang ..... D14/149  
D901,431 S \* 11/2020 Paterson ..... D14/203.1  
D916,051 S \* 4/2021 Wang ..... D14/216

## OTHER PUBLICATIONS

StarTech.com USB C Multiport Adapter, first available Oct. 13, 2020, amazon.com, [online], [site visited Feb. 19, 2021], Available from internet URL: [https://www.amazon.com/StarTech-com-USB-Multiport-Adapter-DisplayPort/dp/B08L5HNFJC/ref=sr\\_1\\_940?dchild=1&keywords=USB+C+Hub&qid=1%E2%80%A6](https://www.amazon.com/StarTech-com-USB-Multiport-Adapter-DisplayPort/dp/B08L5HNFJC/ref=sr_1_940?dchild=1&keywords=USB+C+Hub&qid=1%E2%80%A6) (Year: 2020).\*

Universal USB-C Laptop Hub Mini and Dock, first available Sep. 2, 2020, amazon.com, [online], [site visited Feb. 19, 2021], Available from internet URL: [https://www.amazon.com/Universal-Wireless-Charging-Compatible-Remote/dp/B08HCMWTTV/ref=sr\\_1\\_1139?dchild=1&keywords=USB+C+Hub&qid%E2%80%A6](https://www.amazon.com/Universal-Wireless-Charging-Compatible-Remote/dp/B08HCMWTTV/ref=sr_1_1139?dchild=1&keywords=USB+C+Hub&qid%E2%80%A6) (Year: 2020).\*

Universal USB-C Laptop Hub, Dock, and Speaker, first available Sep. 2, 2020, amazon.com, [online], [site visited Feb. 19, 2021], Available from internet URL: [https://www.amazon.com/Universal-Wireless-Charging-Compatible-Remote/dp/B08H1RV8BF/ref=sr\\_1\\_1228?dchild=1&keywords=USB+C+Hub&qid%E2%80%A6](https://www.amazon.com/Universal-Wireless-Charging-Compatible-Remote/dp/B08H1RV8BF/ref=sr_1_1228?dchild=1&keywords=USB+C+Hub&qid%E2%80%A6) (Year: 2020).\*

\* cited by examiner

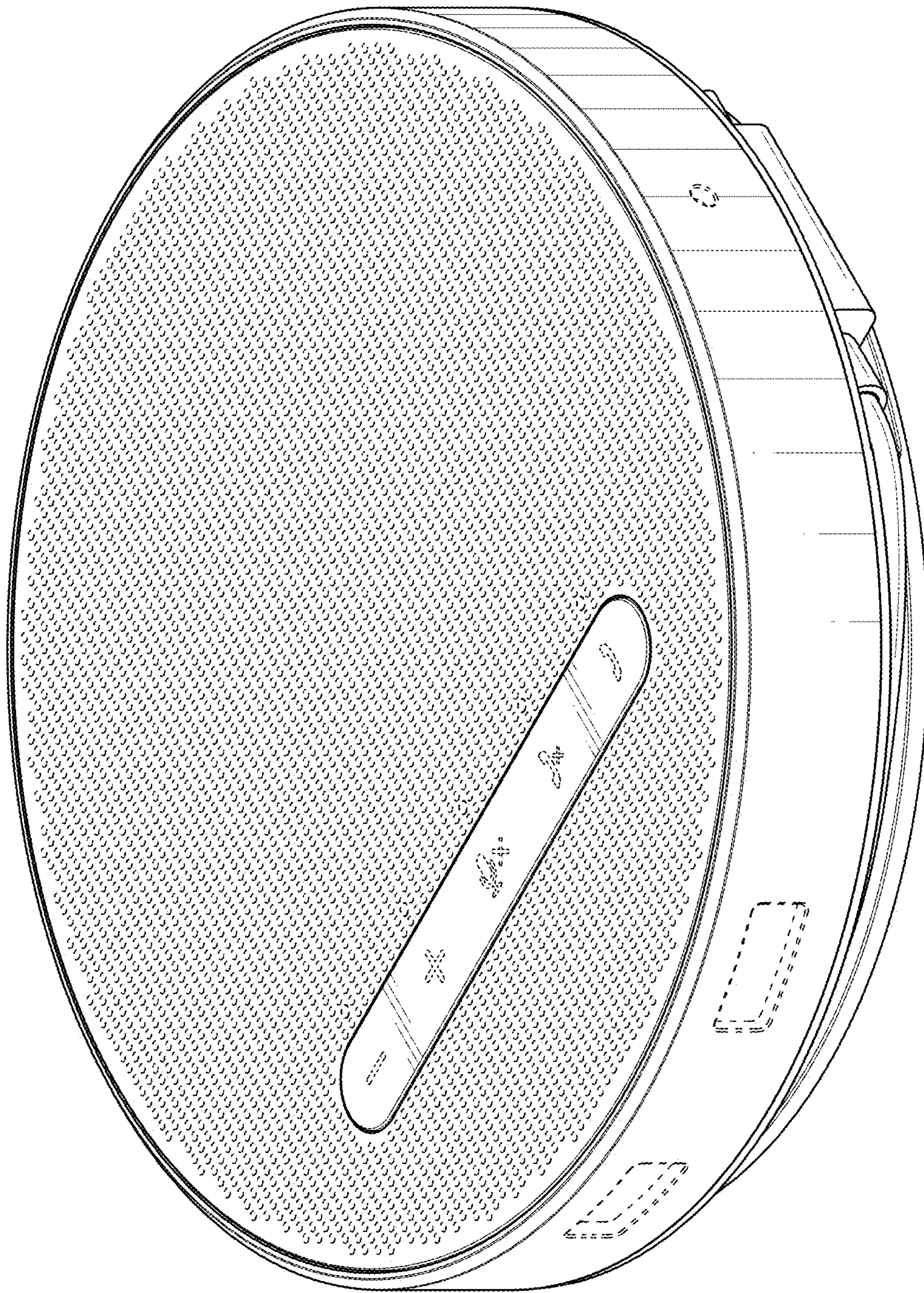


FIG.1

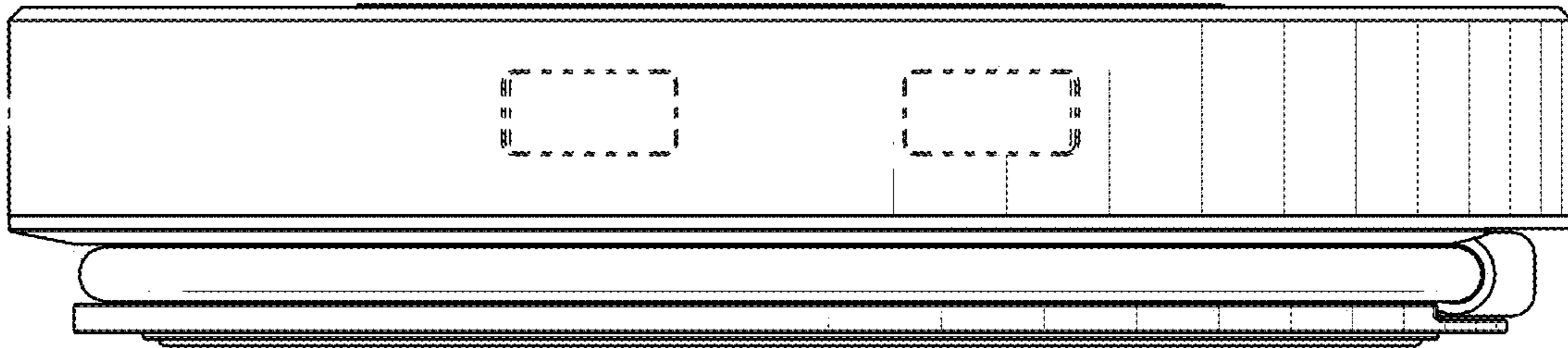


FIG.2

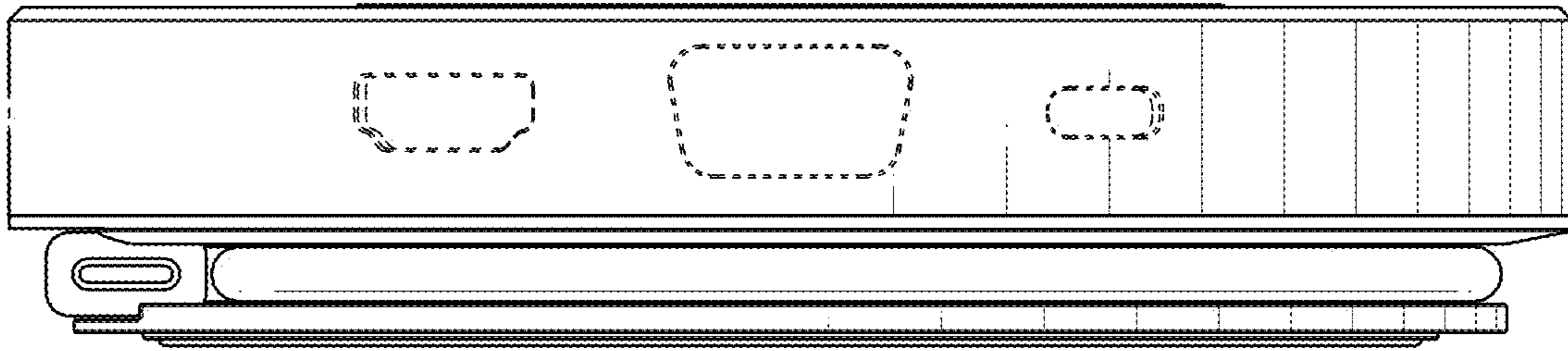


FIG.3

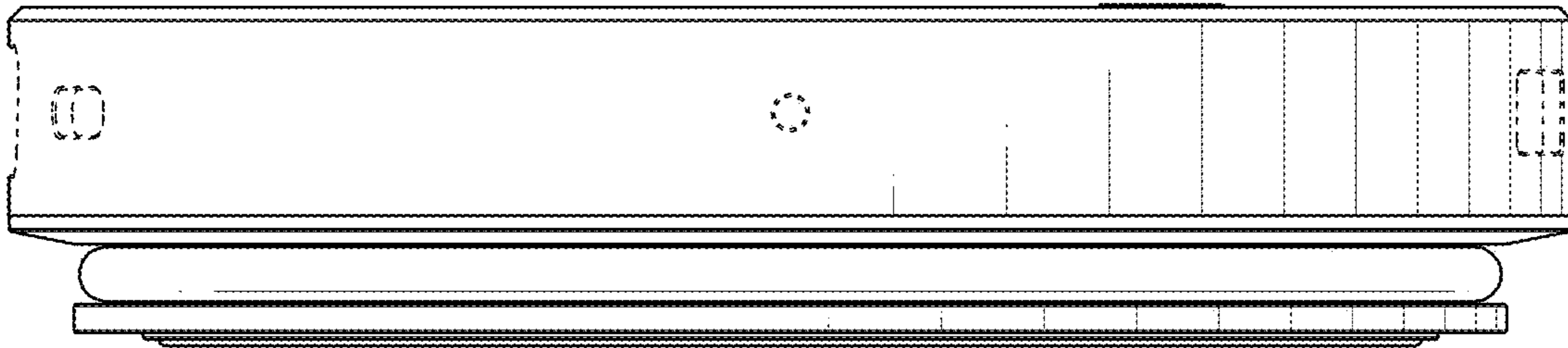


FIG.4

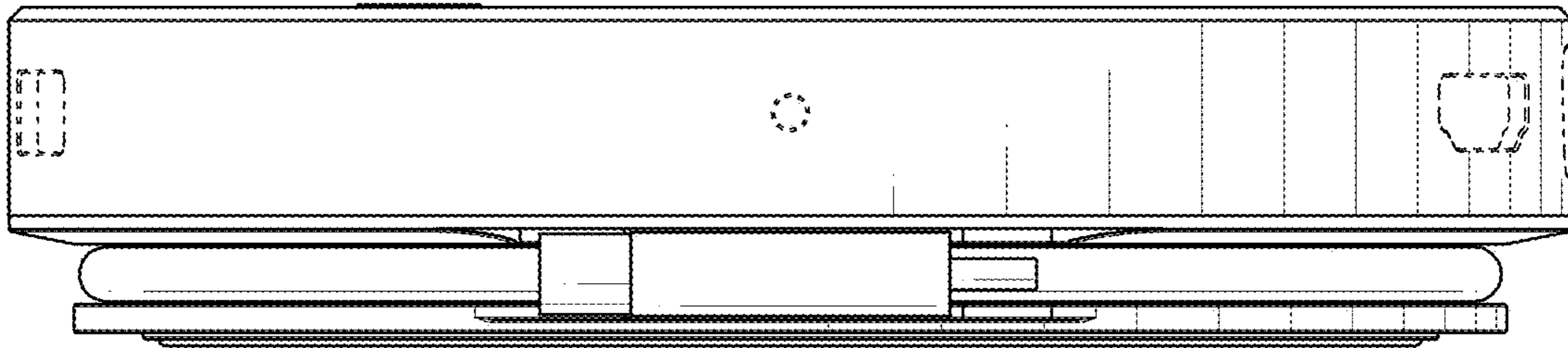


FIG.5

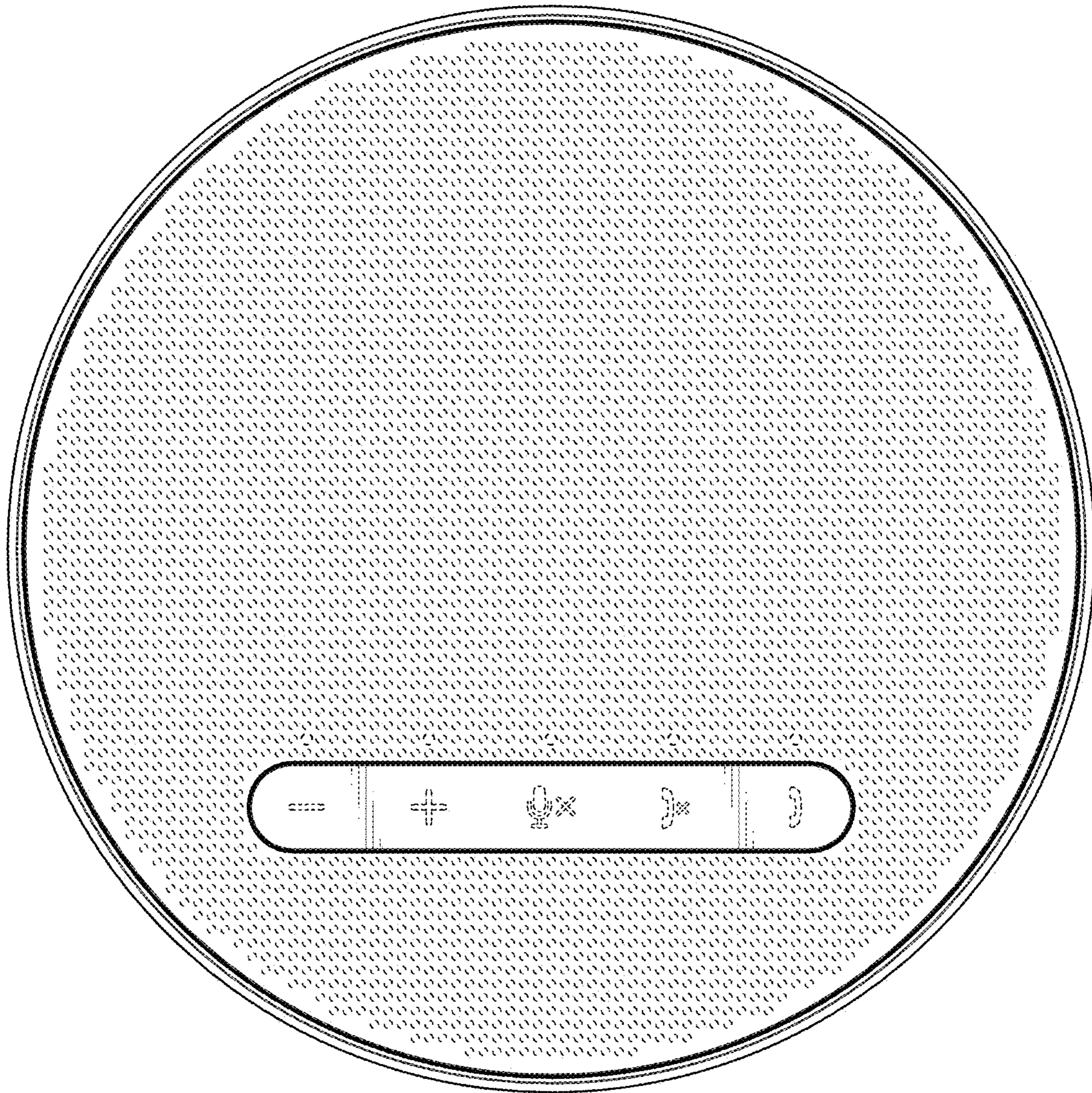


FIG.6



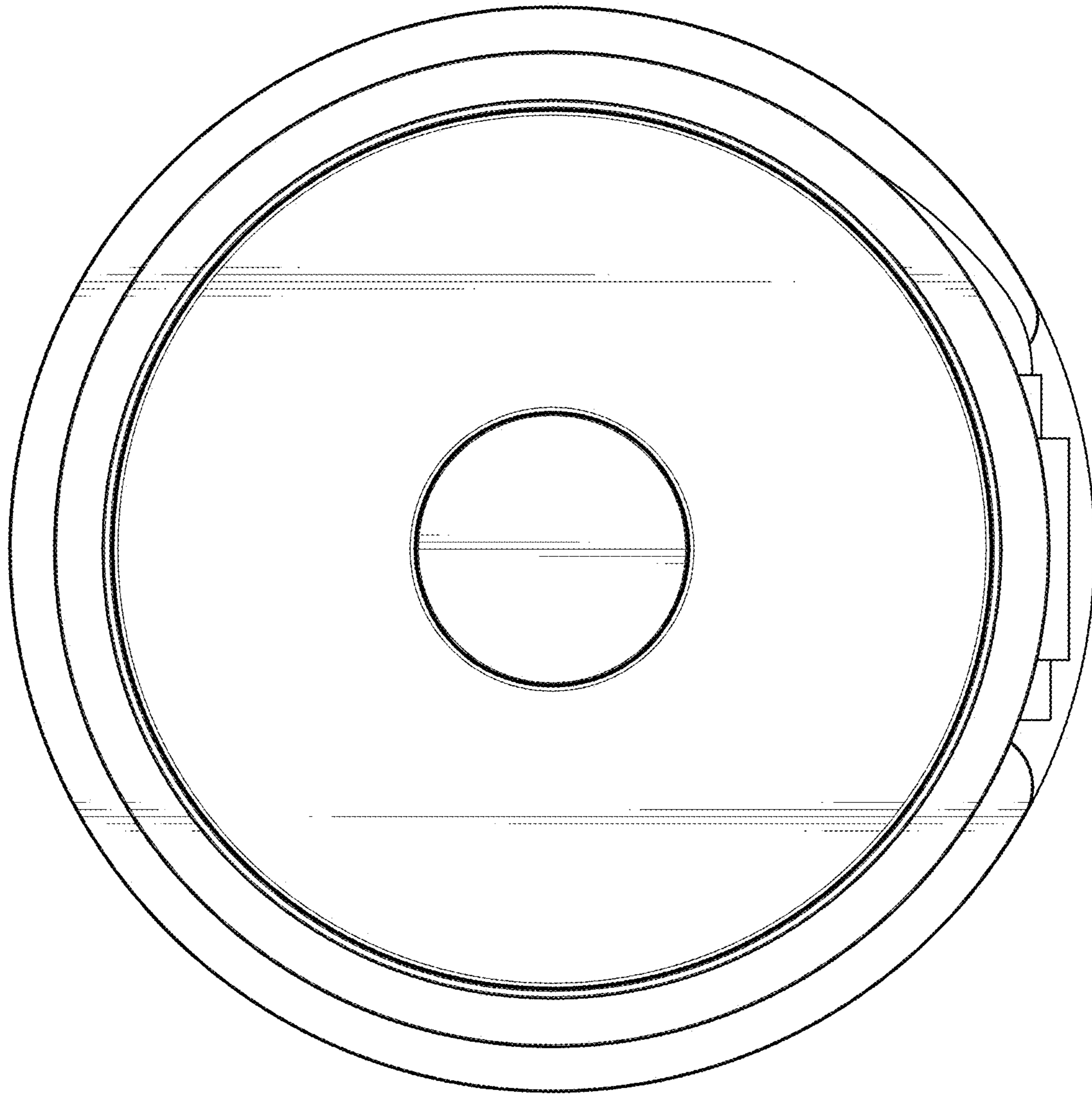


FIG.7

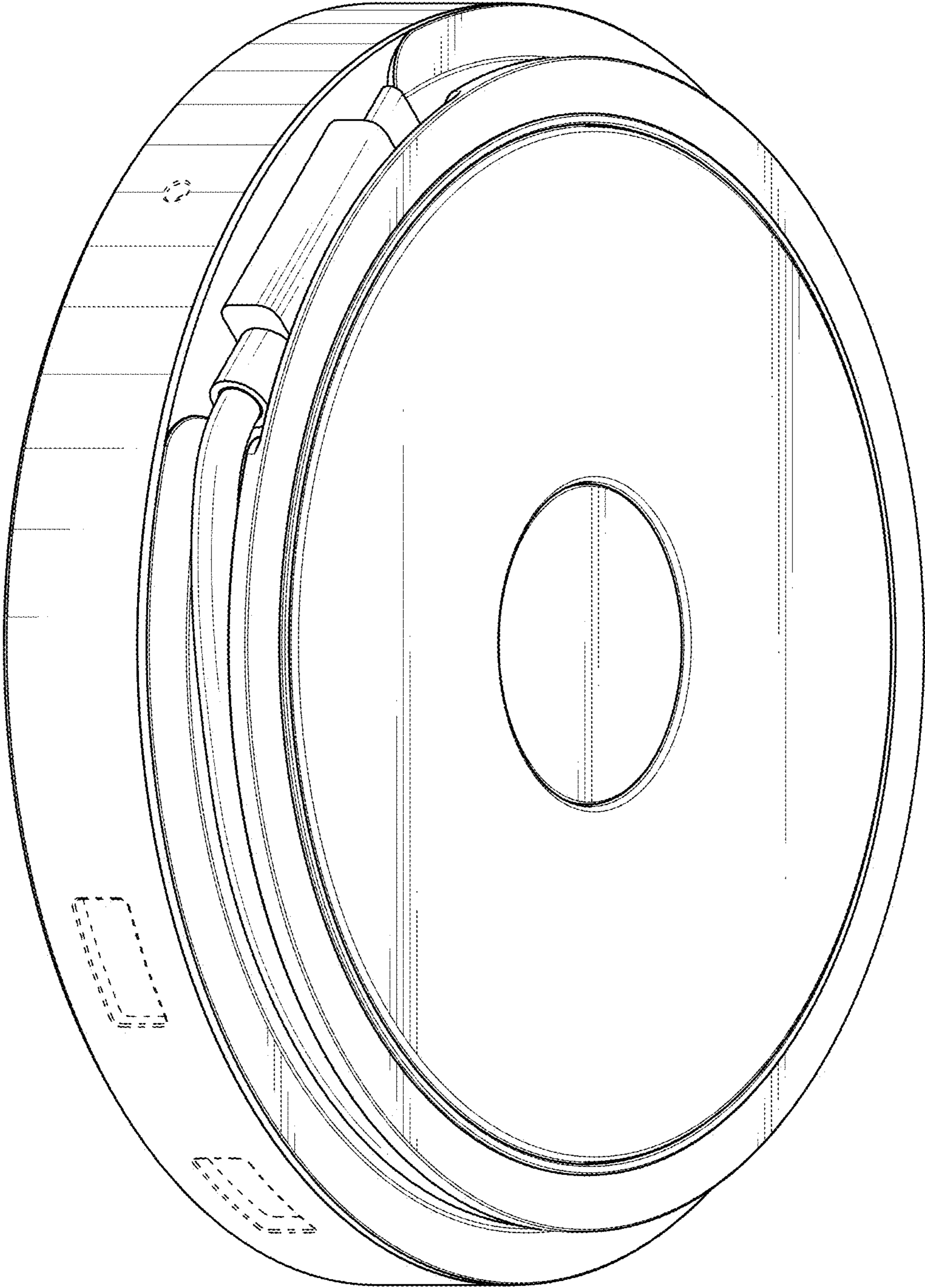


FIG.8

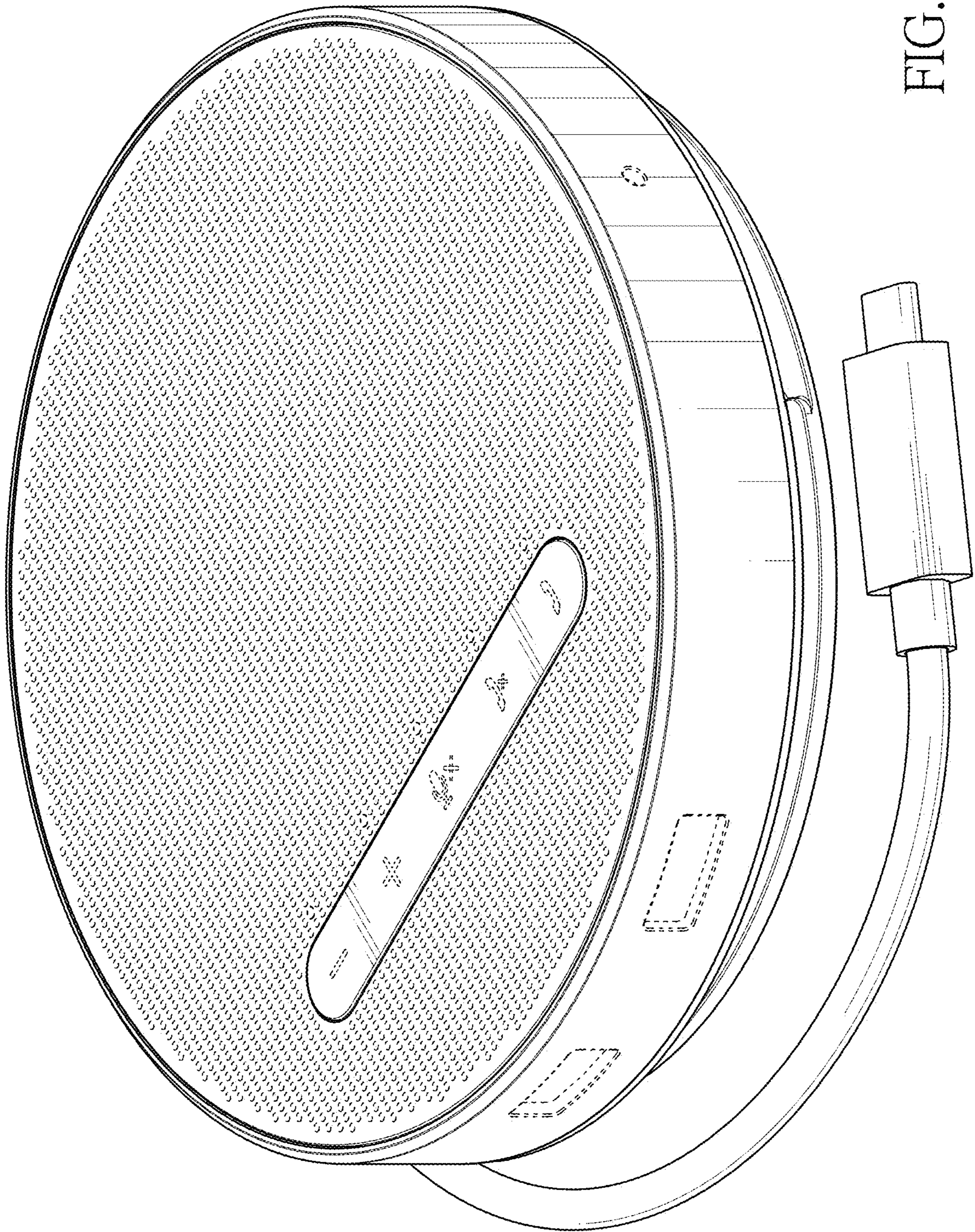


FIG. 9