

US00D924189S

(12) **United States Design Patent** (10) **Patent No.:** **US D924,189 S**
Park et al. (45) **Date of Patent:** **** Jul. 6, 2021**

(54) **TELEVISION RECEIVER**
(71) Applicant: **LG ELECTRONICS INC.**, Seoul (KR)
(72) Inventors: **Woosuk Park**, Seoul (KR); **Junghan Ryu**, Seoul (KR); **Jeonga Shin**, Seoul (KR); **Bumsang Lee**, Seoul (KR); **Chulmin Lim**, Seoul (KR)
(73) Assignee: **LG ELECTRONICS INC.**, Seoul (KR)
(**) Term: **15 Years**
(21) Appl. No.: **35/509,174**
(22) Filed: **Oct. 23, 2019**
(80) **Hague Agreement Data**
Int. Filing Date: **Oct. 23, 2019**
Int. Reg. No.: **DM/205021**
Int. Reg. Date: **Oct. 23, 2019**
Int. Reg. Pub. Date: **Apr. 24, 2020**

Primary Examiner — Bao-Yen T Nguyen
(74) *Attorney, Agent, or Firm* — Birch, Stewart, Kolasch & Birch LLP

(57) **CLAIM**

The ornamental design for television receiver, as shown and described.

DESCRIPTION

(30) **Foreign Application Priority Data**
Apr. 29, 2019 (KR) 30-2019-0020296
(51) **LOC (13) Cl.** **14-03**
(52) **U.S. Cl.**
USPC **D14/126**
(58) **Field of Classification Search**
USPC D14/125-134, 136, 159, 239, 336, 342, D14/371, 374-377, 440, 448, 450; D21/329, 515, 577, 622
CPC ... G06F 1/1601; G06F 1/1643; H05K 5/0004; H05K 5/0017; H05K 5/02; H05K 5/0217
See application file for complete search history.

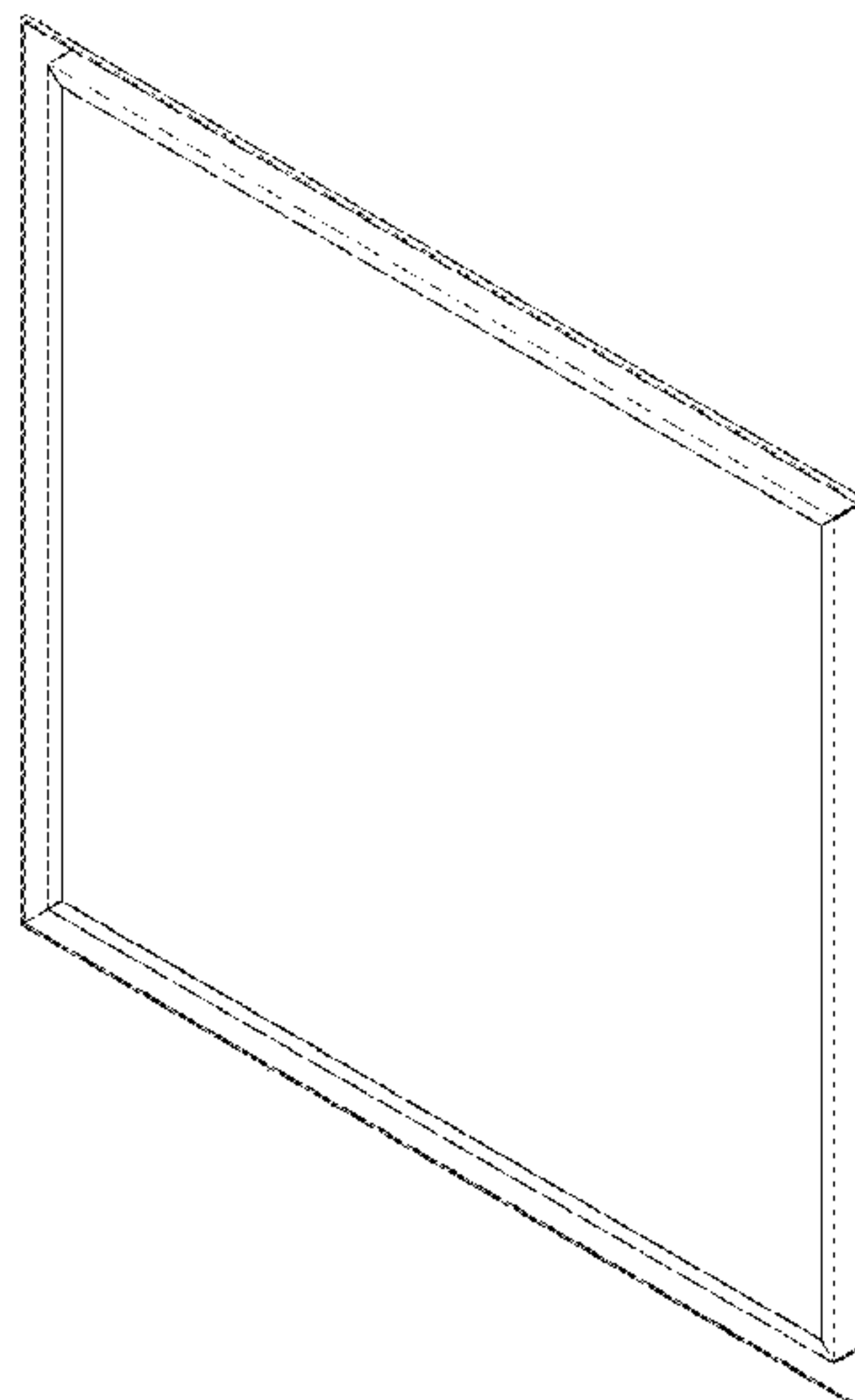
- 1. Television receiver
- 1.1 : Perspective
- 1.2 : Front
- 1.3 : Back
- 1.4 : Left
- 1.5 : Right
- 1.6 : Top
- 1.7 : Bottom
- 1.8 : Perspective
- 1.9 : Front
- 1.10 : Back
- 1.11 : Left
- 1.12 : Right
- 1.13 : Top
- 1.14 : Bottom
- 1.15 : Perspective
- 1.16 : Front
- 1.17 : Back
- 1.18 : Left
- 1.19 : Right
- 1.20 : Top
- 1.21 : Bottom

Reproductions 1.1 to 1.7 show the subject design before its change, reproduction 1.8 to 1.14 show the subject design after its change, with its front door is rolling down, and reproduction 1.15 to 1.21 show the subject design after its change, with its front door is fully rolling down and display part is fully open.

(56) **References Cited**
U.S. PATENT DOCUMENTS
D717,257 S * 11/2014 Kim D14/126
D718,731 S * 12/2014 Lee D14/126
D719,119 S * 12/2014 Park D14/126
D719,120 S * 12/2014 Park D14/126

(Continued)

1 Claim, 21 Drawing Sheets



(56)

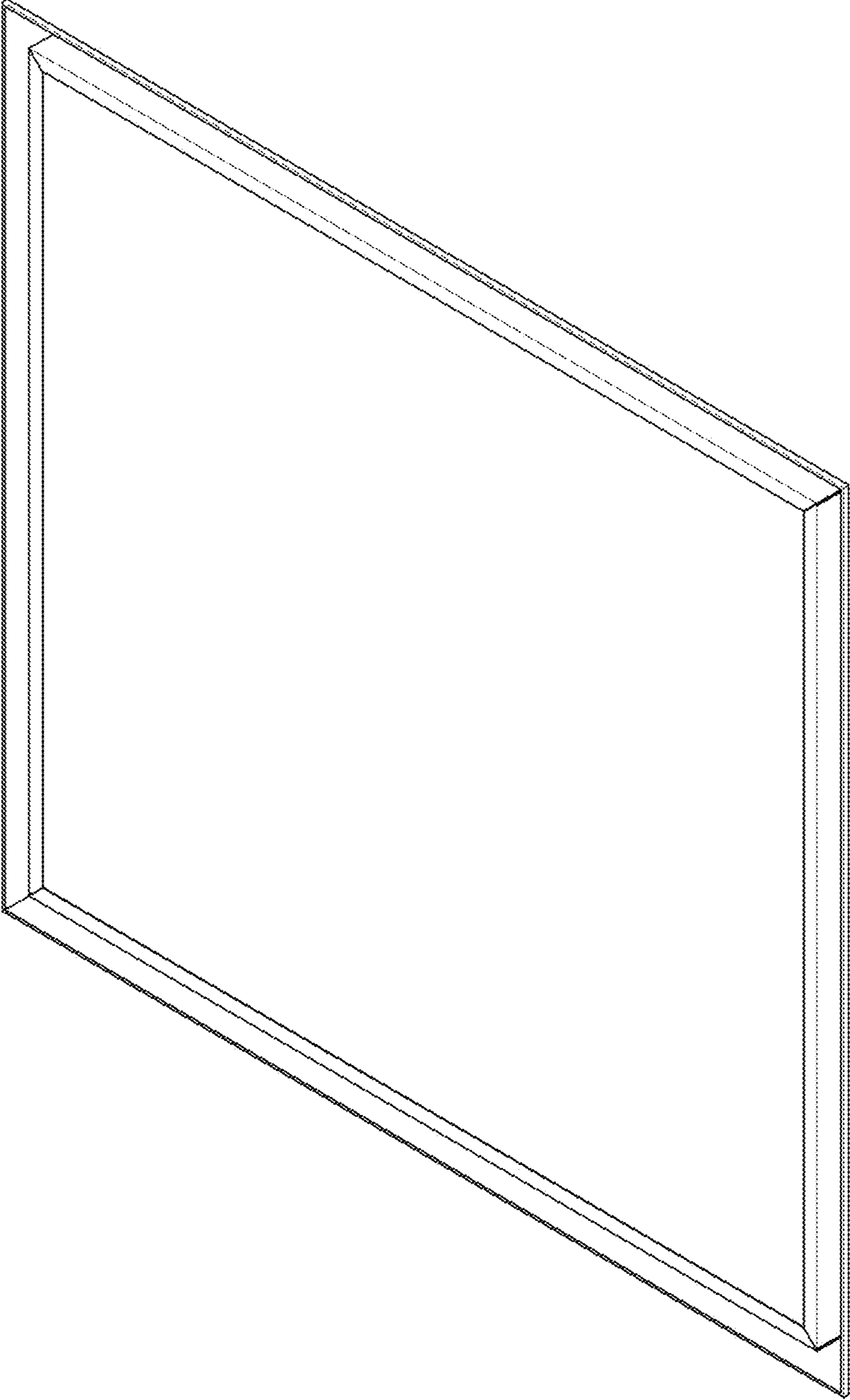
References Cited

U.S. PATENT DOCUMENTS

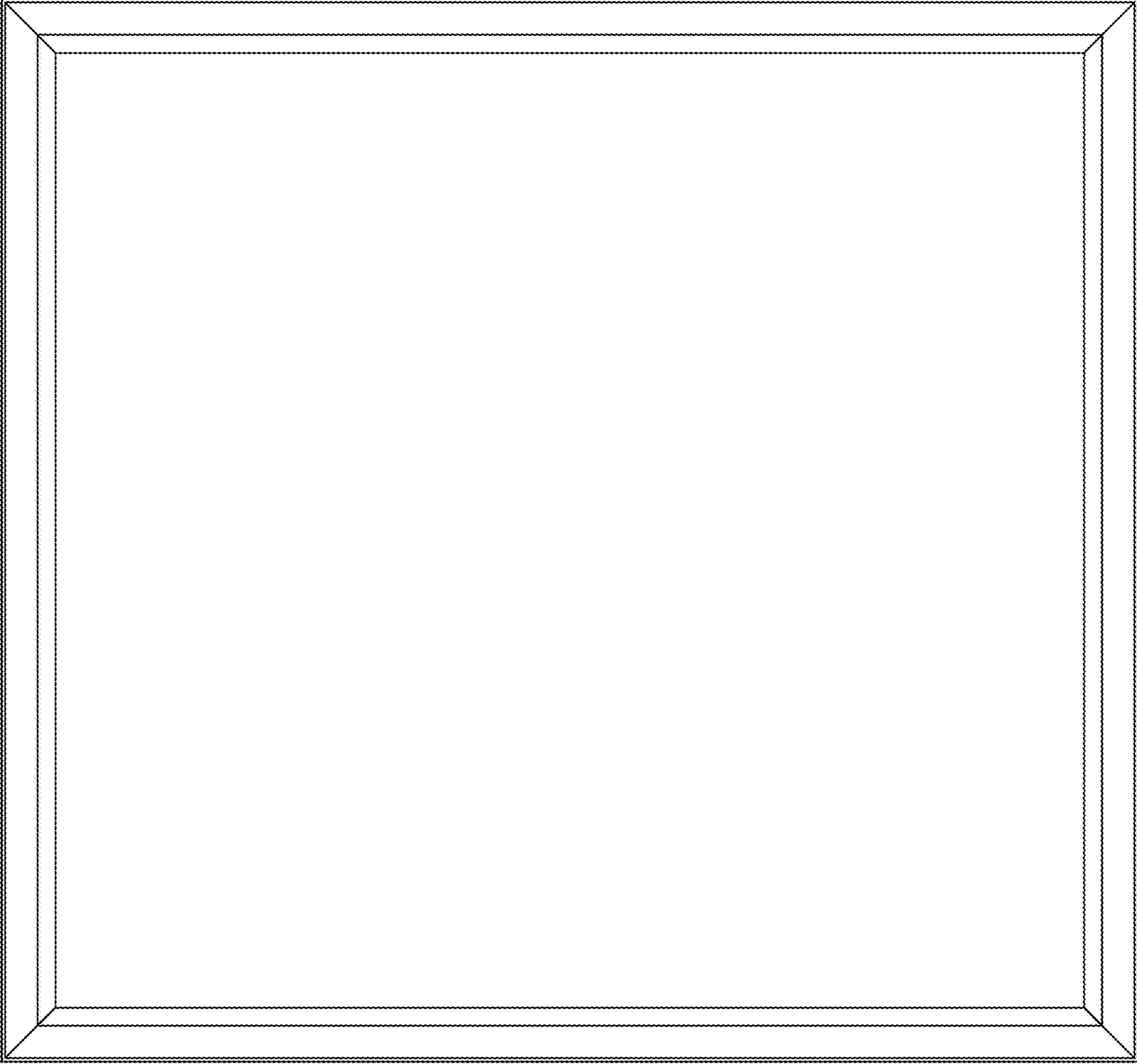
D725,059	S	*	3/2015	Kim	D14/126
D725,619	S	*	3/2015	Choi	D14/126
D778,858	S	*	2/2017	Kim	D14/126
D783,553	S	*	4/2017	Kim	D14/126
D799,443	S	*	10/2017	Park	D14/126
D807,312	S	*	1/2018	Jeong	D14/126
D817,902	S	*	5/2018	Lee	D14/126
D818,978	S	*	5/2018	Won	D14/126
D827,600	S	*	9/2018	Lammens	D14/126
D837,757	S	*	1/2019	Kim	D14/126
D837,758	S	*	1/2019	Kim	D14/126
D845,263	S	*	4/2019	Kim	D14/126
D864,136	S	*	10/2019	Kim	D14/126
D867,312	S	*	11/2019	McManigal	D14/126
D888,678	S	*	6/2020	Ryu	D14/126
D898,688	S	*	10/2020	Lee	D14/126
D899,388	S	*	10/2020	Park	D14/126
D899,391	S	*	10/2020	Park	D14/126
D908,650	S	*	1/2021	Cho	D14/126
D911,300	S	*	2/2021	Park	D14/126

* cited by examiner

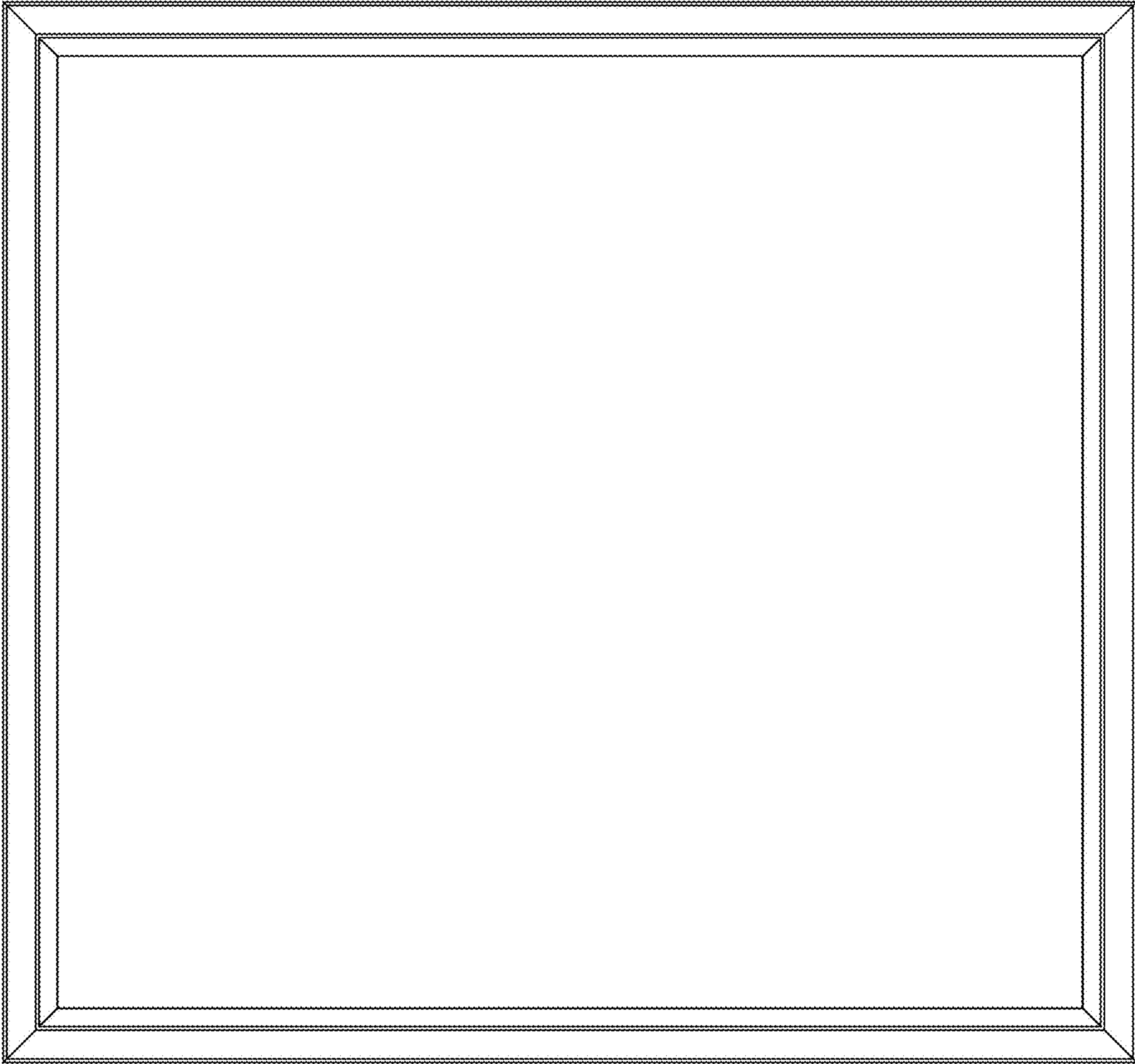
1.1



1.2



1.3



1.4



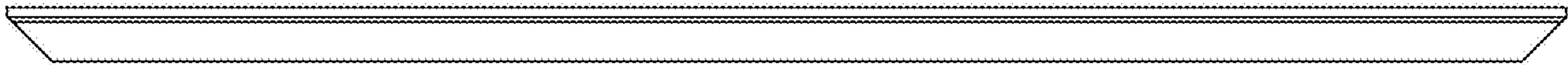
1.5



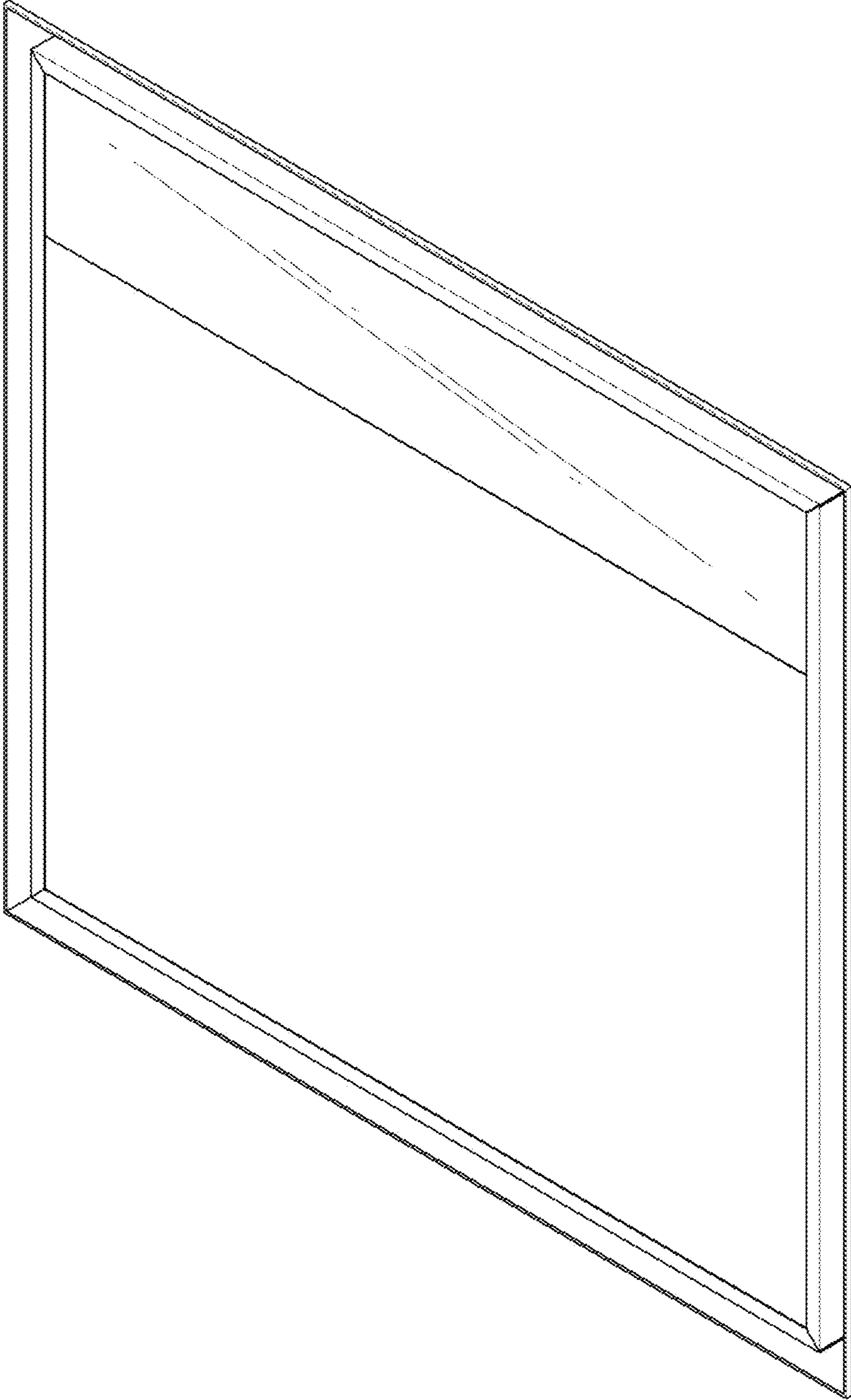
1.6



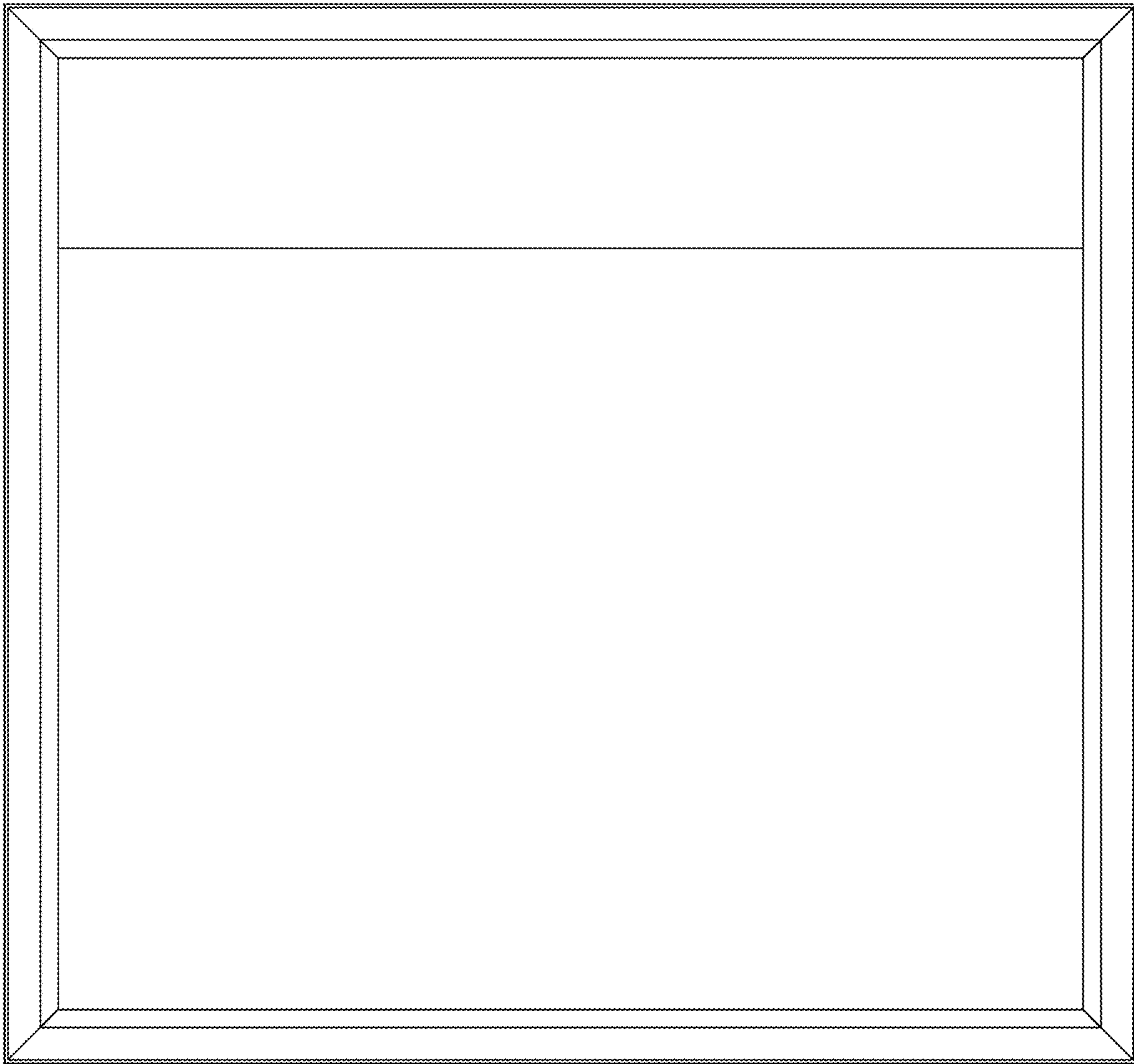
1.7



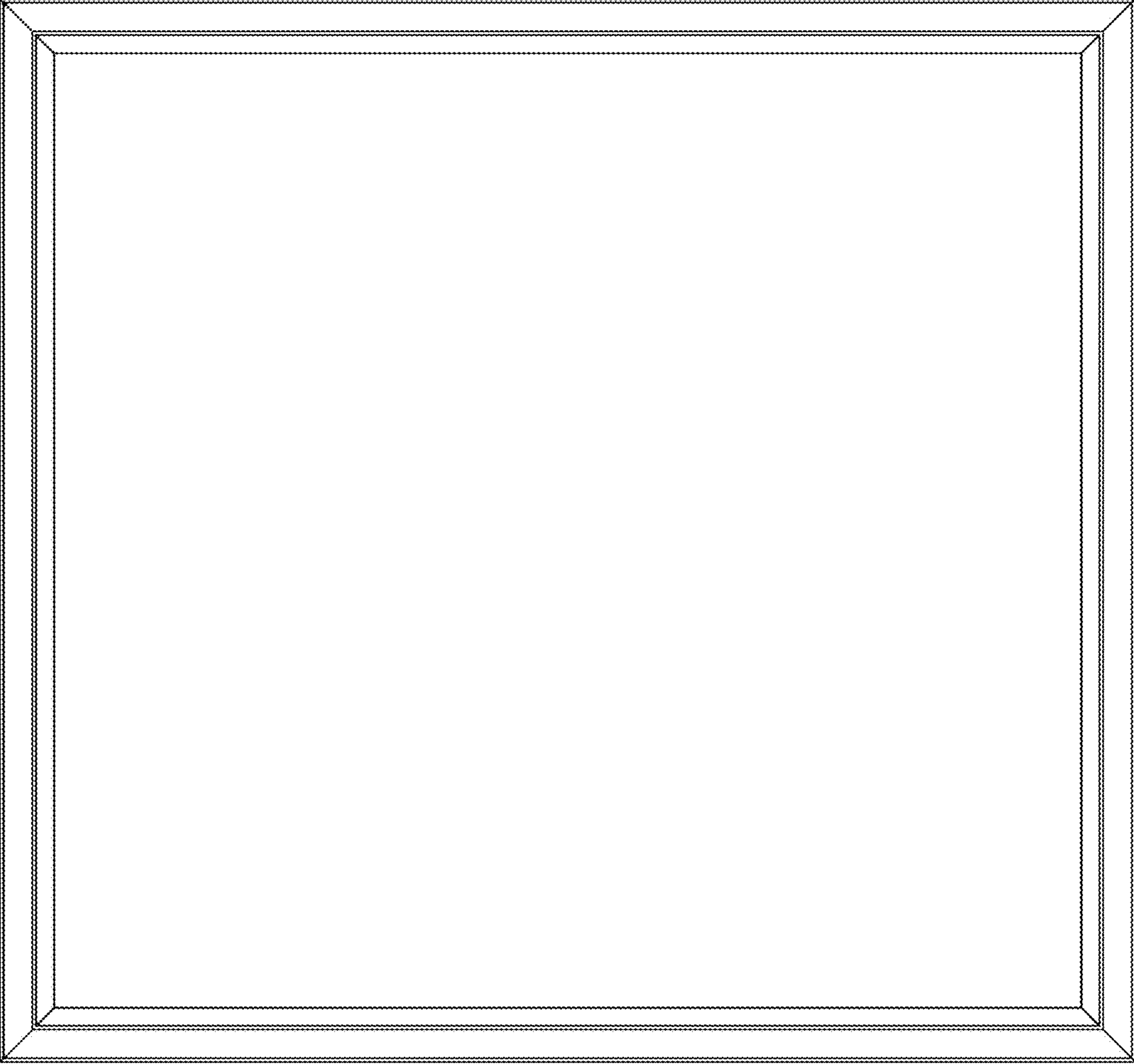
1.8



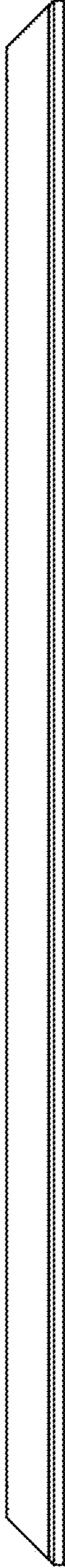
1.9



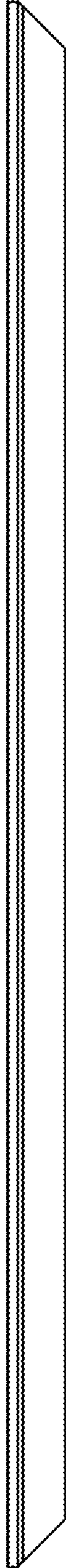
1.10



1.11



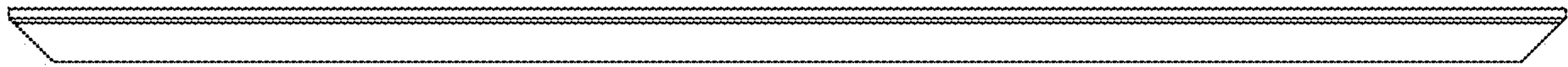
1.12



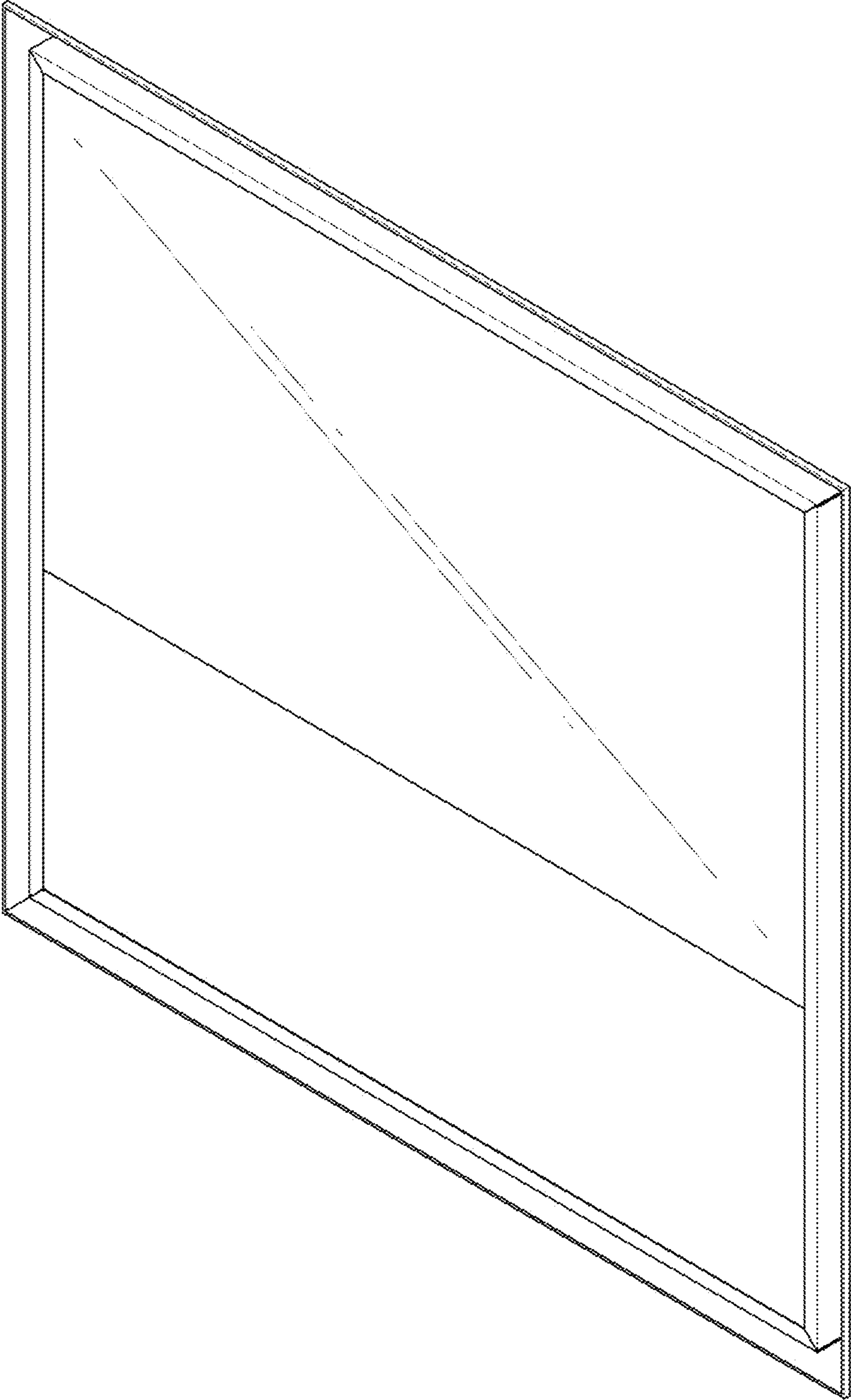
1.13



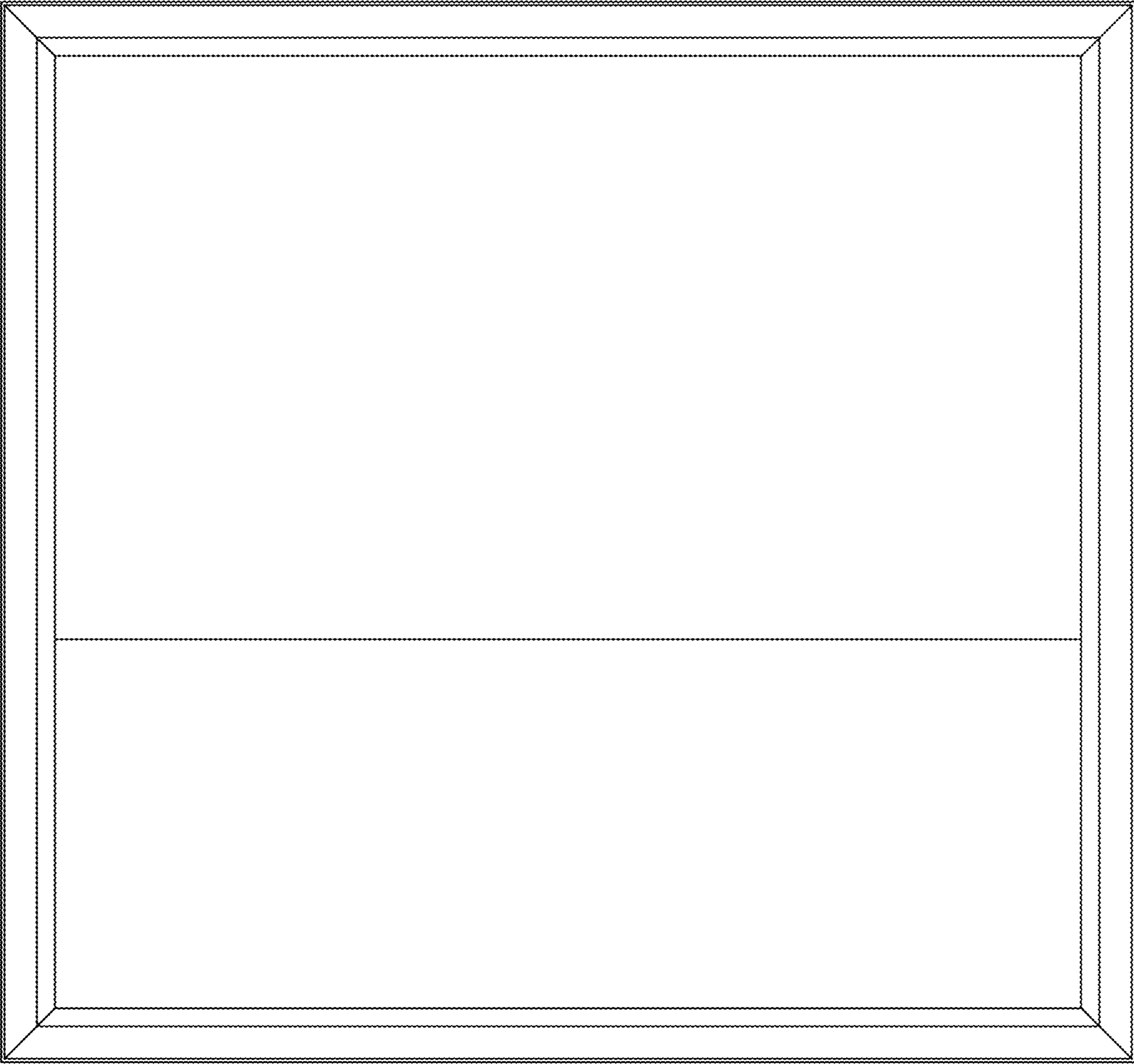
1.14



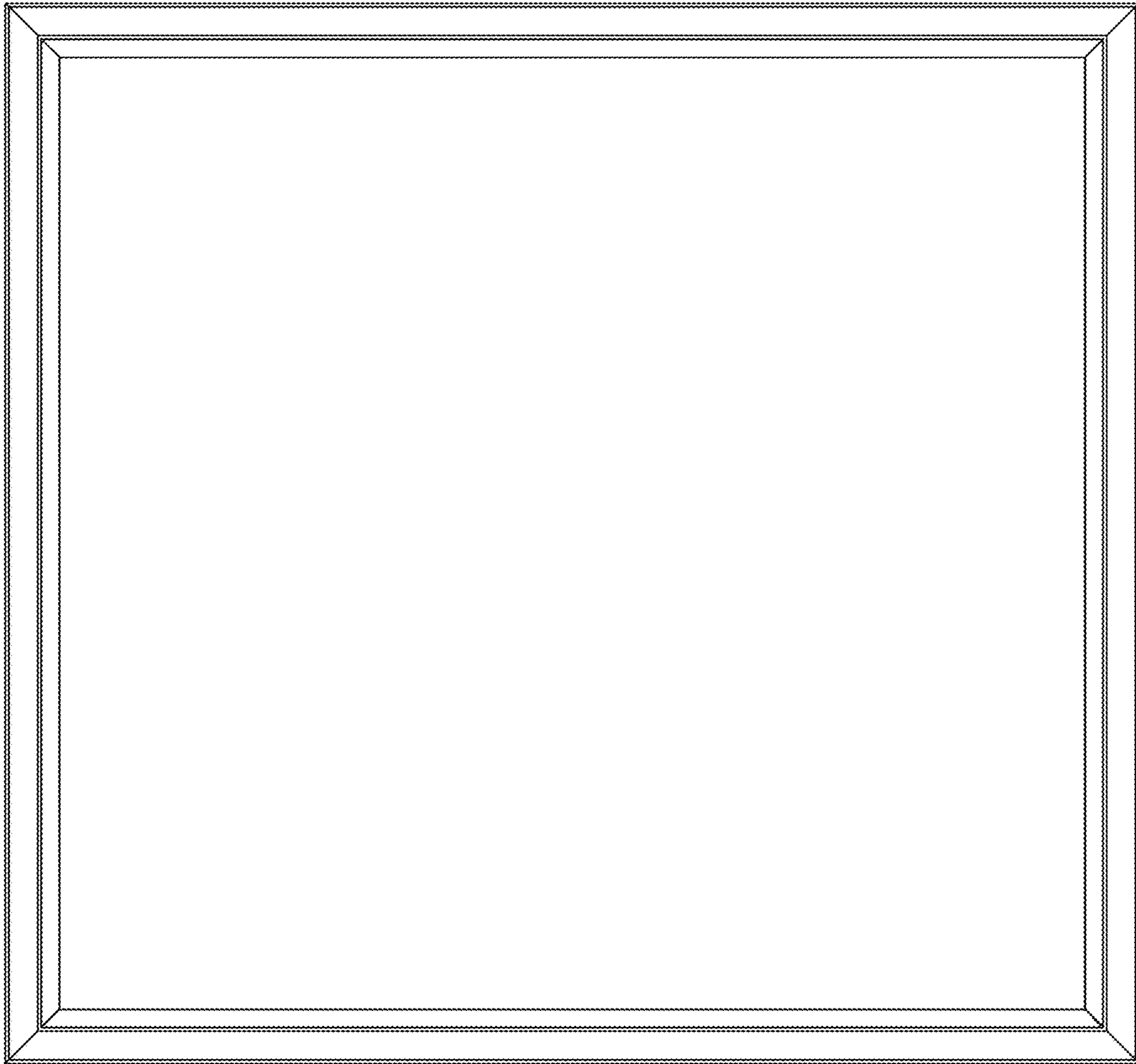
1.15



1.16



1.17



1.18



1.19



1.20



1.21

