



US00D924188S

(12) **United States Design Patent** (10) **Patent No.:** **US D924,188 S**  
**Park et al.** (45) **Date of Patent:** **\*\* Jul. 6, 2021**

(54) **TELEVISION RECEIVER**

(71) Applicant: **LG ELECTRONICS INC.**, Seoul (KR)  
 (72) Inventors: **Woosuk Park**, Seoul (KR); **Junghan Ryu**, Seoul (KR); **Jeonga Shin**, Seoul (KR); **Bumsang Lee**, Seoul (KR); **Chulmin Lim**, Seoul (KR)  
 (73) Assignee: **LG ELECTRONICS INC.**, Seoul (KR)

(\*\*) Term: **15 Years**

(21) Appl. No.: **35/509,169**

(22) Filed: **Oct. 23, 2019**

(80) **Hague Agreement Data**

Int. Filing Date: **Oct. 23, 2019**  
 Int. Reg. No.: **DM/205055**  
 Int. Reg. Date: **Oct. 23, 2019**  
 Int. Reg. Pub. Date: **Apr. 24, 2020**

(30) **Foreign Application Priority Data**

Apr. 29, 2019 (KR) ..... 30-2019-0020297

(51) **LOC (13) Cl.** ..... **14-03**

(52) **U.S. Cl.**  
 USPC ..... **D14/126**

(58) **Field of Classification Search**

USPC ..... D14/125-134, 136, 159, 239, 336, 342, D14/371, 374-377, 440, 448, 450; D21/329, 515, 577, 622  
 CPC ... G06F 1/1601; G06F 1/1643; H05K 5/0004; H05K 5/0017; H05K 5/02; H05K 5/0217

See application file for complete search history.

(56) **References Cited**

U.S. PATENT DOCUMENTS

D717,257 S \* 11/2014 Kim ..... D14/126  
 D718,731 S \* 12/2014 Lee ..... D14/126  
 D719,119 S \* 12/2014 Park ..... D14/126  
 D719,120 S \* 12/2014 Park ..... D14/126

(Continued)

*Primary Examiner* — Bao-Yen T Nguyen  
 (74) *Attorney, Agent, or Firm* — Birch, Stewart, Kolasch & Birch LLP

(57) **CLAIM**

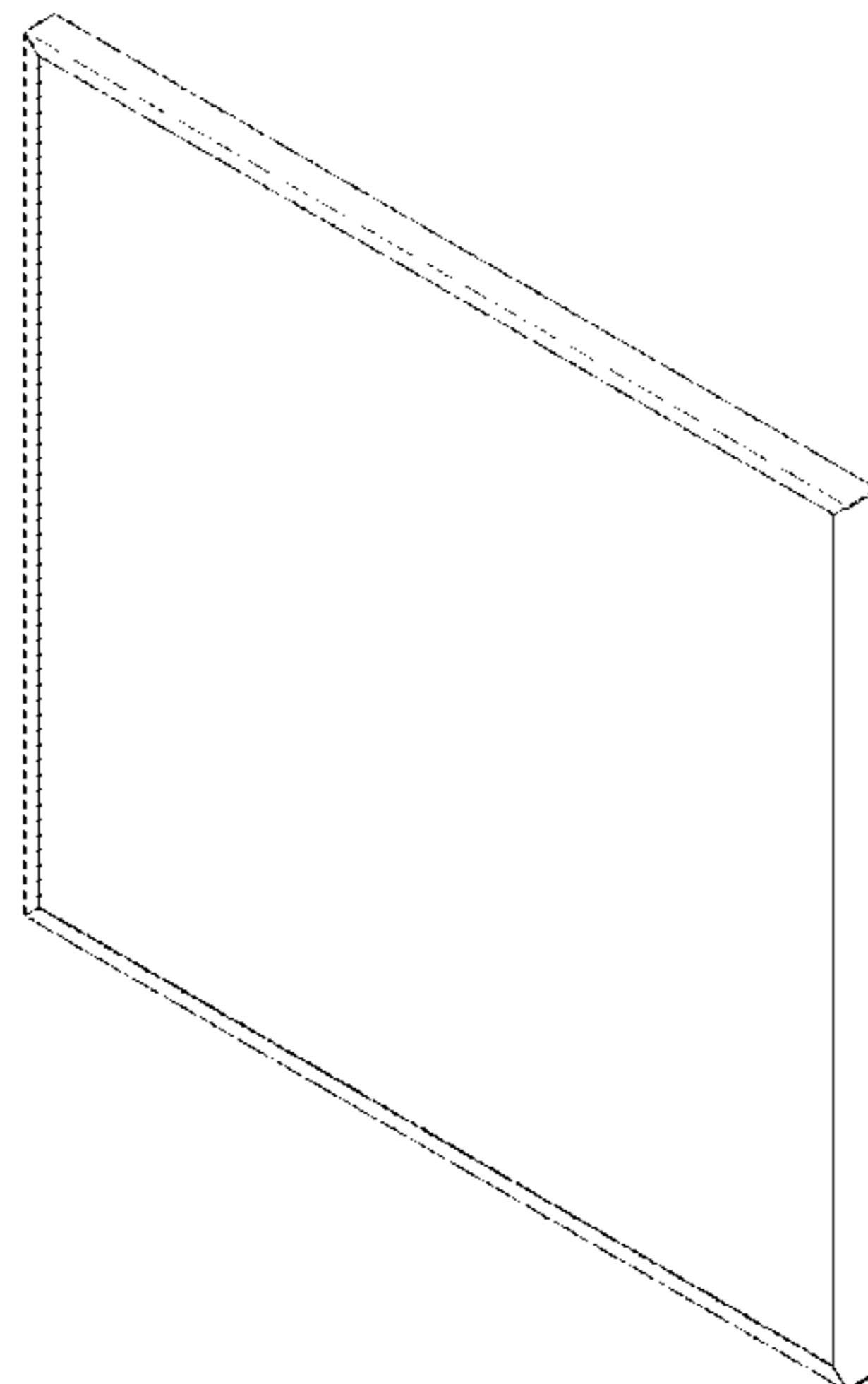
The ornamental design for television receiver, as shown and described.

**DESCRIPTION**

- 1. Television receiver
- 1.1 : Perspective
- 1.2 : Front
- 1.3 : Back
- 1.4 : Left
- 1.5 : Right
- 1.6 : Top
- 1.7 : Bottom
- 1.8 : Perspective
- 1.9 : Front
- 1.10 : Back
- 1.11 : Left
- 1.12 : Right
- 1.13 : Top
- 1.14 : Bottom
- 1.15 : Perspective
- 1.16 : Front
- 1.17 : Back
- 1.18 : Left
- 1.19 : Right
- 1.20 : Top
- 1.21 : Bottom

Reproductions 1.1 to 1.7 show the subject design before its change, reproduction 1.8 to 1.14 show the subject design after its change, with its front door is rolling down, and reproduction 1.15 to 1.21 show the subject design after its change, with its front door is fully rolling down and display part is fully open.

**1 Claim, 21 Drawing Sheets**



(56)

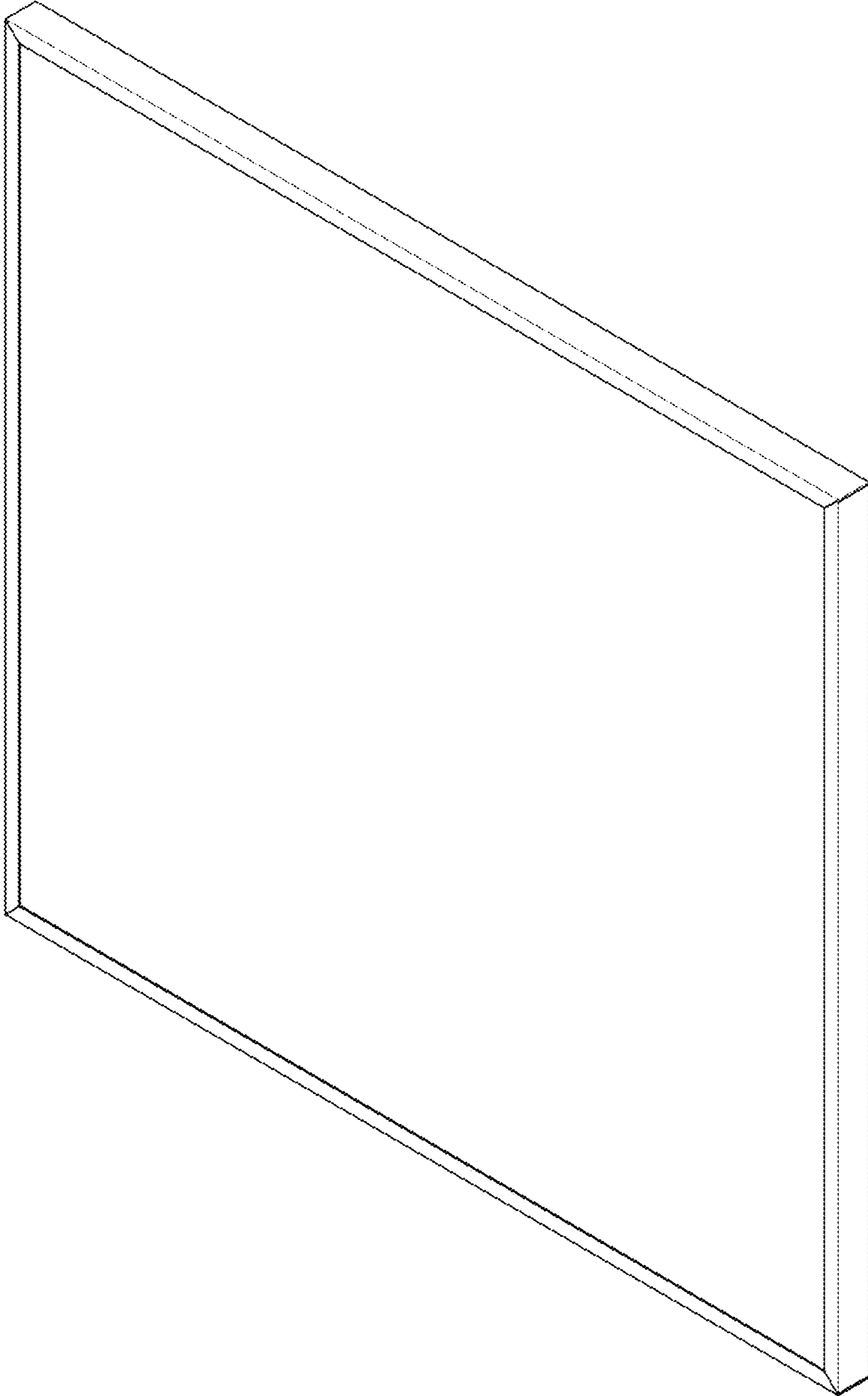
**References Cited**

## U.S. PATENT DOCUMENTS

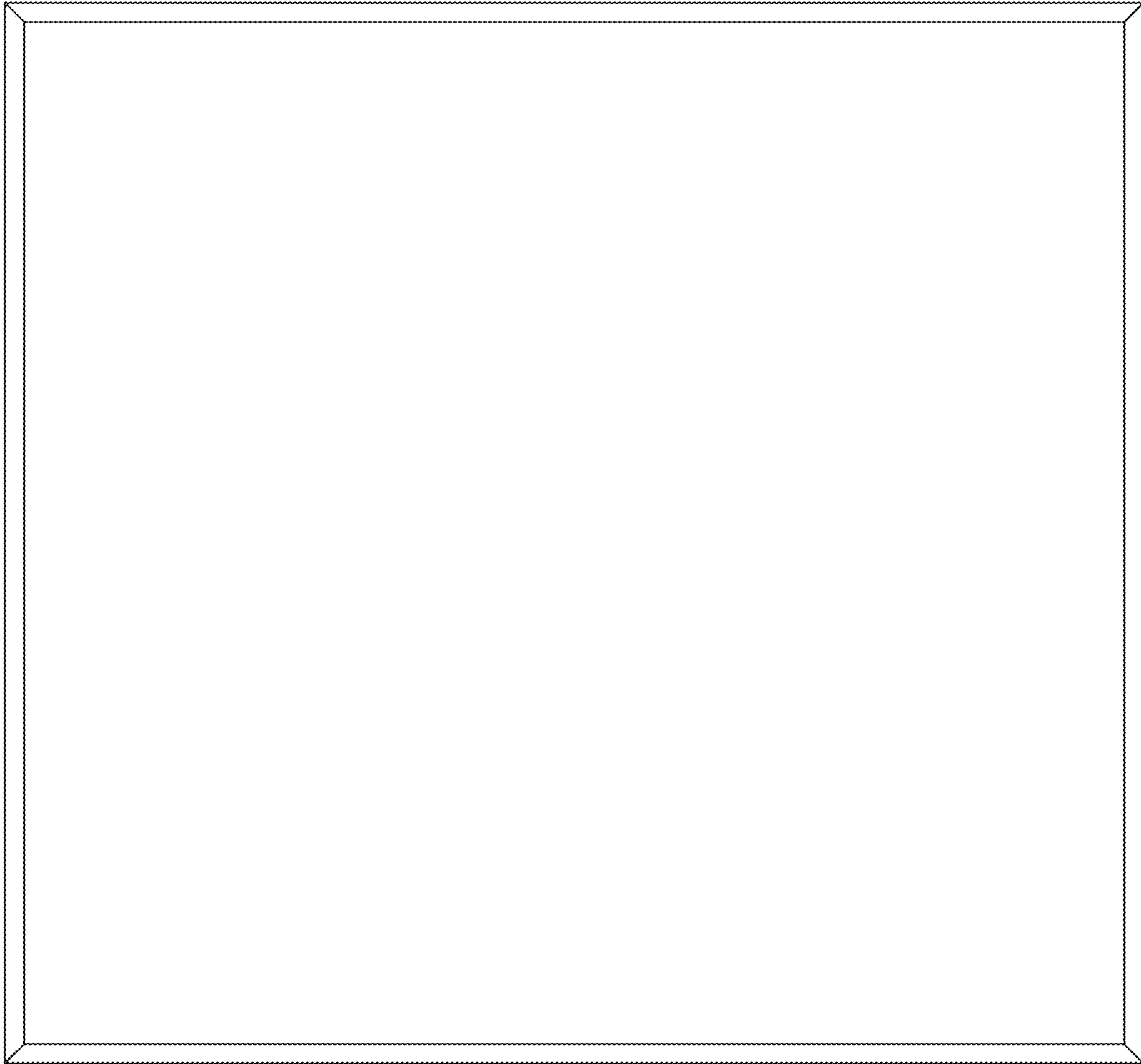
D725,059	S	*	3/2015	Kim	.....	D14/126
D725,619	S	*	3/2015	Choi	.....	D14/126
D778,858	S	*	2/2017	Kim	.....	D14/126
D783,553	S	*	4/2017	Kim	.....	D14/126
D799,443	S	*	10/2017	Park	.....	D14/126
D807,312	S	*	1/2018	Jeong	.....	D14/126
D817,902	S	*	5/2018	Lee	.....	D14/126
D818,978	S	*	5/2018	Won	.....	D14/126
D827,600	S	*	9/2018	Lammens	.....	D14/126
D837,757	S	*	1/2019	Kim	.....	D14/126
D837,758	S	*	1/2019	Kim	.....	D14/126
D845,263	S	*	4/2019	Kim	.....	D14/126
D864,136	S	*	10/2019	Kim	.....	D14/126
D867,312	S	*	11/2019	McManigal	.....	D14/126
D888,678	S	*	6/2020	Ryu	.....	D14/126
D898,688	S	*	10/2020	Lee	.....	D14/126
D899,388	S	*	10/2020	Park	.....	D14/126
D899,391	S	*	10/2020	Park	.....	D14/126
D908,650	S	*	1/2021	Cho	.....	D14/126
D911,300	S	*	2/2021	Park	.....	D14/126

\* cited by examiner

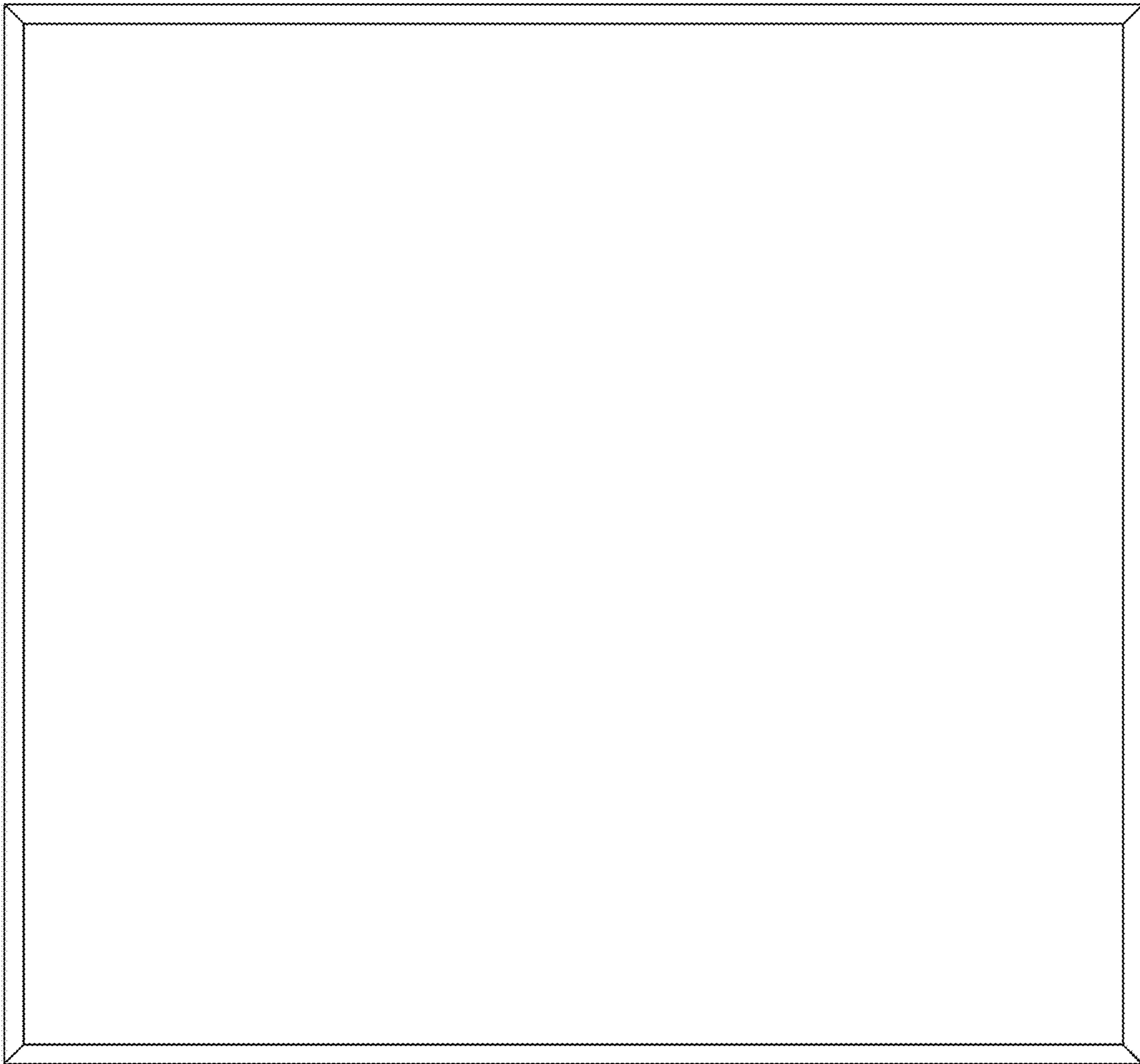
1.1



1.2



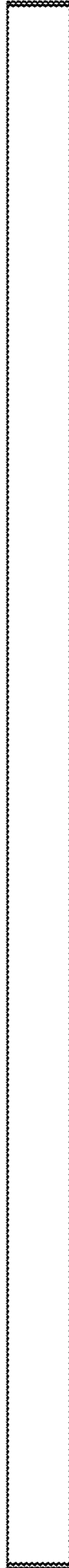
1.3



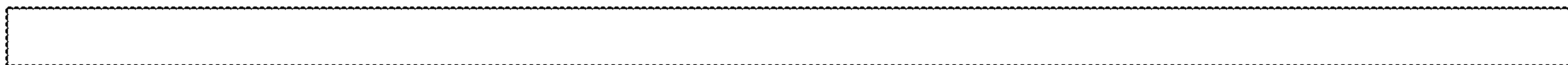
1.4



1.5



**1.6**

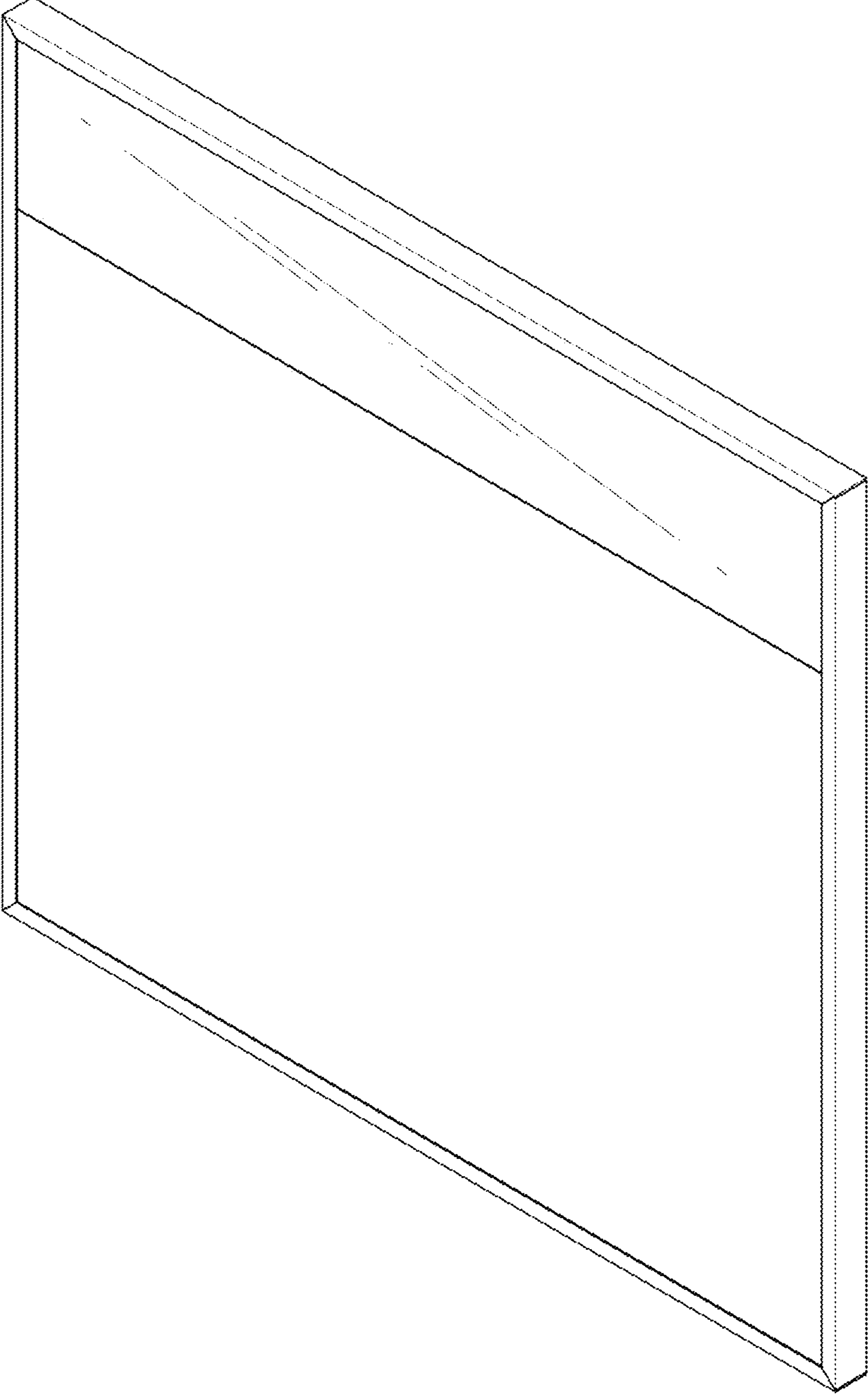




1.7



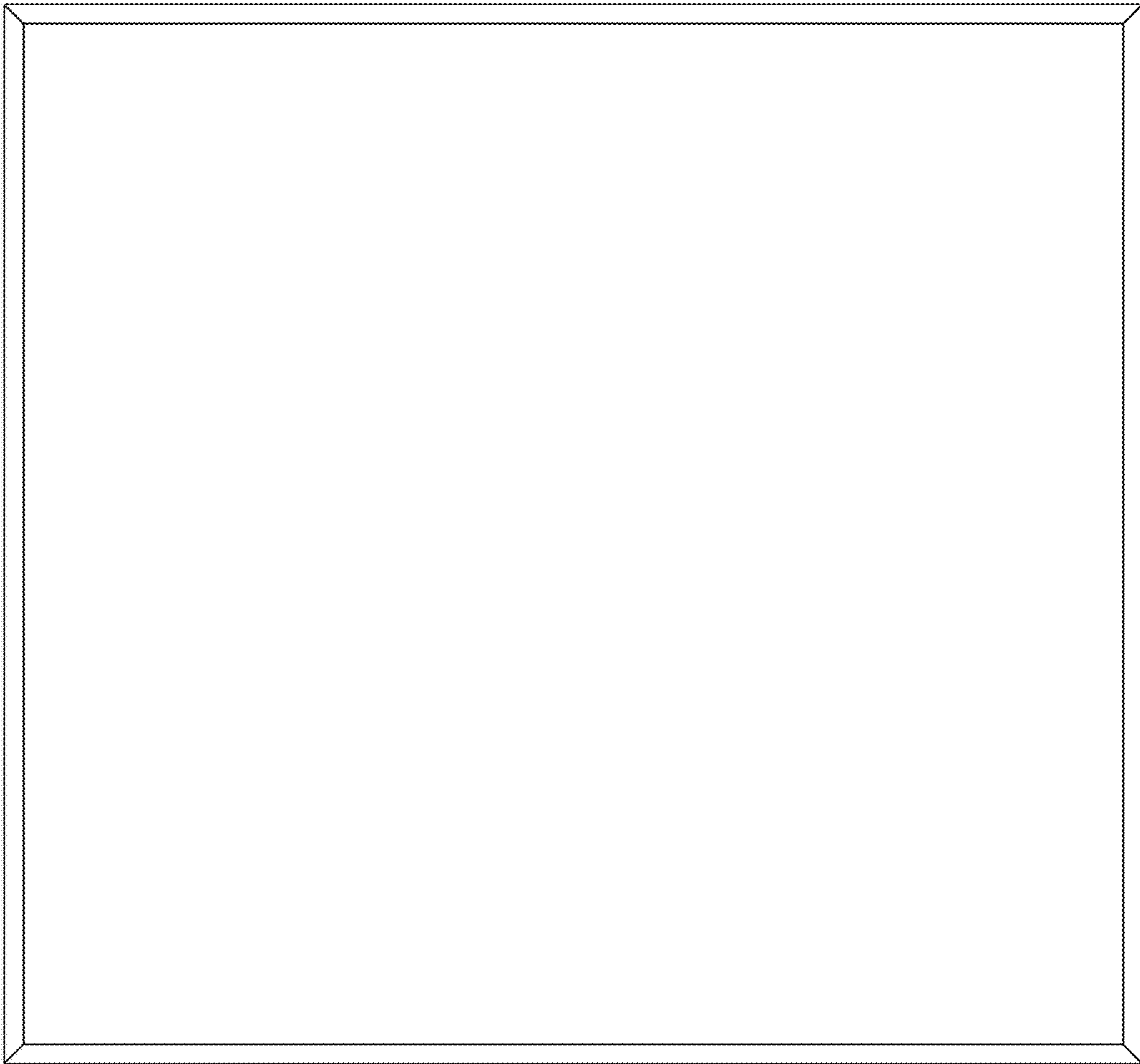
1.8



1.9



1.10



1.11



1.12



**1.13**

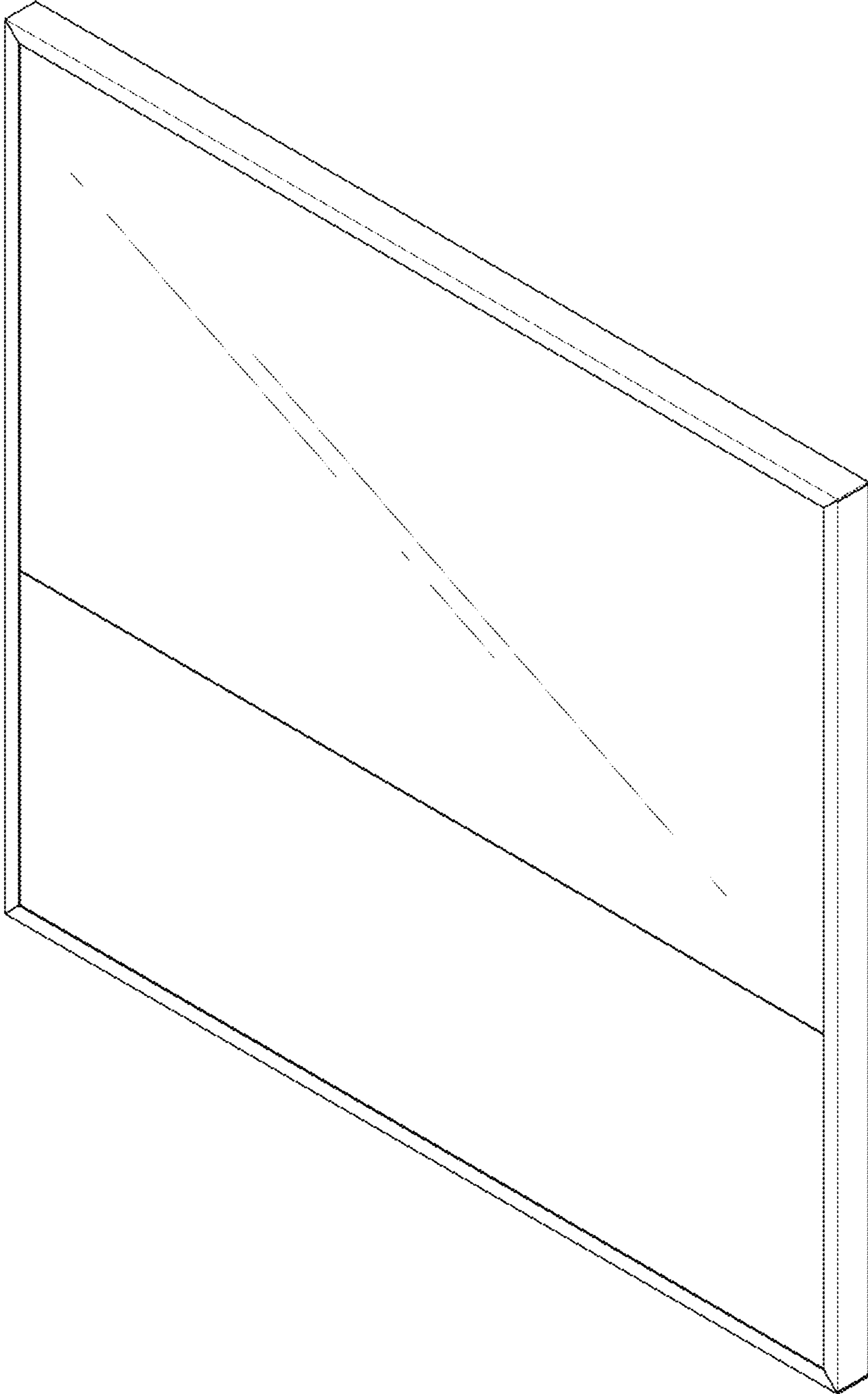


**1.14**





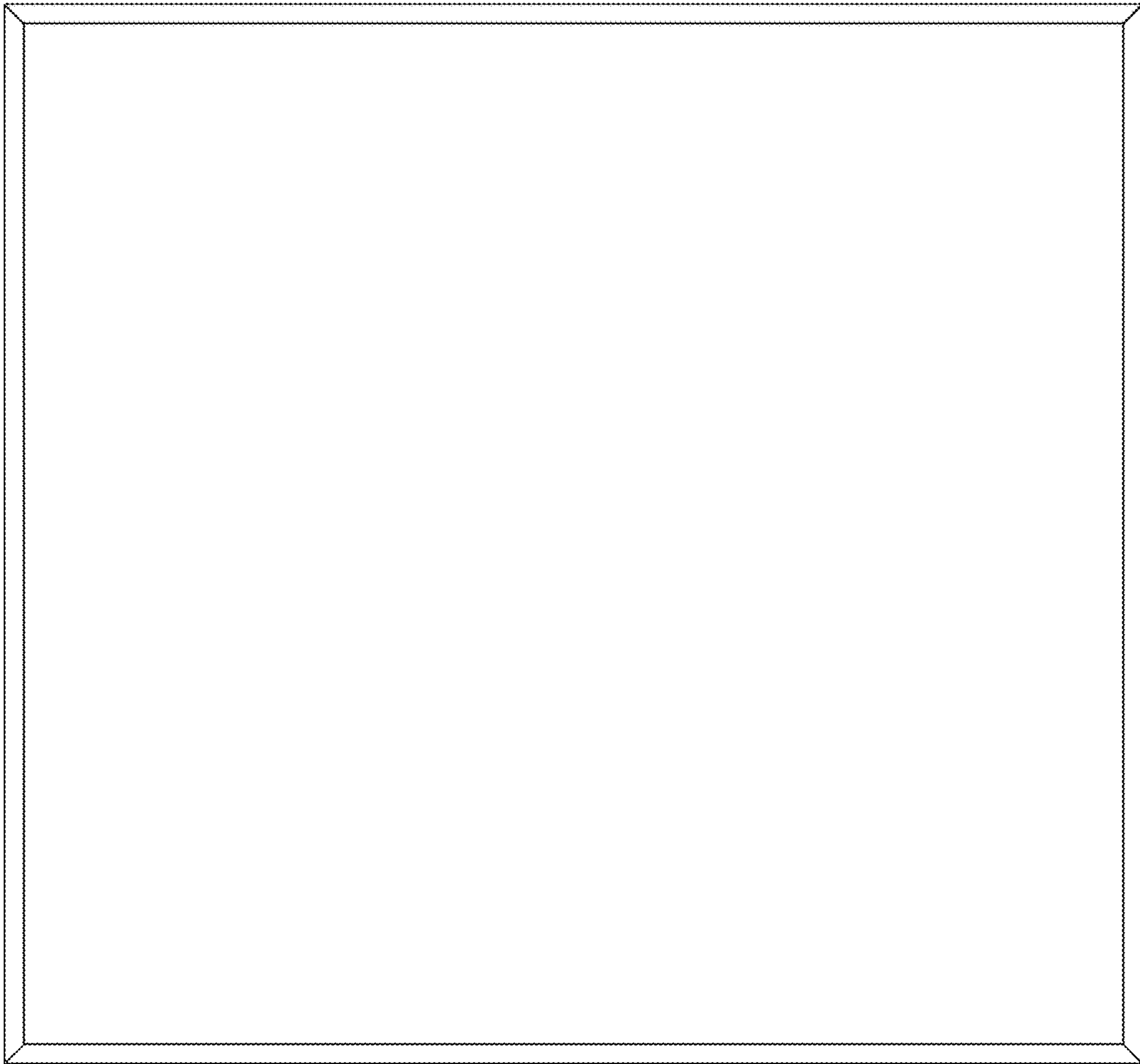
1.15



1.16



1.17



1.18



1.19



**1.20**



**1.21**

