



US00D924186S

(12) **United States Design Patent**
Feng et al.

(10) **Patent No.:** **US D924,186 S**
(45) **Date of Patent:** **** Jul. 6, 2021**

(54) **BOARD CARD**

(71) Applicant: **Cambricon Technologies Corporation Limited**, Beijing (CN)

(72) Inventors: **Xiaobing Feng**, Beijing (CN); **Kun He**, Beijing (CN); **Jun He**, Beijing (CN)

(73) Assignee: **Cambricon Technologies Corporation Limited**, Beijing (CN)

(**) Term: **15 Years**

(21) Appl. No.: **29/727,175**

(22) Filed: **Mar. 9, 2020**

(51) **LOC (13) Cl.** **13-03**

(52) **U.S. Cl.**
USPC **D13/179**

(58) **Field of Classification Search**
USPC D13/179, 145, 184
CPC F28D 1/0246; F28D 15/02; F28D 15/0266;
F28D 15/04; F28D 15/0275; F28D
21/0003; F28F 13/003; F28F 13/12; F28F
21/00; F21V 29/2231; F02M 26/32
See application file for complete search history.

(56) **References Cited**

U.S. PATENT DOCUMENTS

D398,589 S *	9/1998	Dodson	D13/179
D573,110 S *	7/2008	Otsuki	D13/179
D579,423 S *	10/2008	Chang	D13/179
D747,278 S *	1/2016	Murphy	F28F 13/06
				D13/179
D805,042 S *	12/2017	Huang	H01L 23/4006
				D13/179
D819,579 S *	6/2018	Huang	F28D 15/046
				D13/179
D833,988 S *	11/2018	Huang	F28D 15/0275
				D13/179
2004/0130876 A1 *	7/2004	Davison	H01L 23/4006
				361/719

2010/0000715 A1 *	1/2010	Zheng	H01L 23/467
				165/80.3
2013/0020056 A1 *	1/2013	Peng	F28D 15/0275
				165/104.26
2013/0043006 A1 *	2/2013	Peng	H01L 23/427
				165/104.26
2013/0048251 A1 *	2/2013	Xiao	F28D 15/046
				165/104.26
2013/0146252 A1 *	6/2013	Yang	H01L 23/4006
				165/67
2013/0163207 A1 *	6/2013	Chen	H01L 23/4006
				361/720

(Continued)

OTHER PUBLICATIONS

“Mustang-M2BM-MX2”, first released 2019. iEiWorld.com (https://www.ieiworld.com/en/news/con_show.php?op=showone&cid=1090) (Year: 2019).*

(Continued)

Primary Examiner — Vy N Koenig
Assistant Examiner — Seth David Kumpf
(74) *Attorney, Agent, or Firm* — Getech Law LLC; Jun Ye

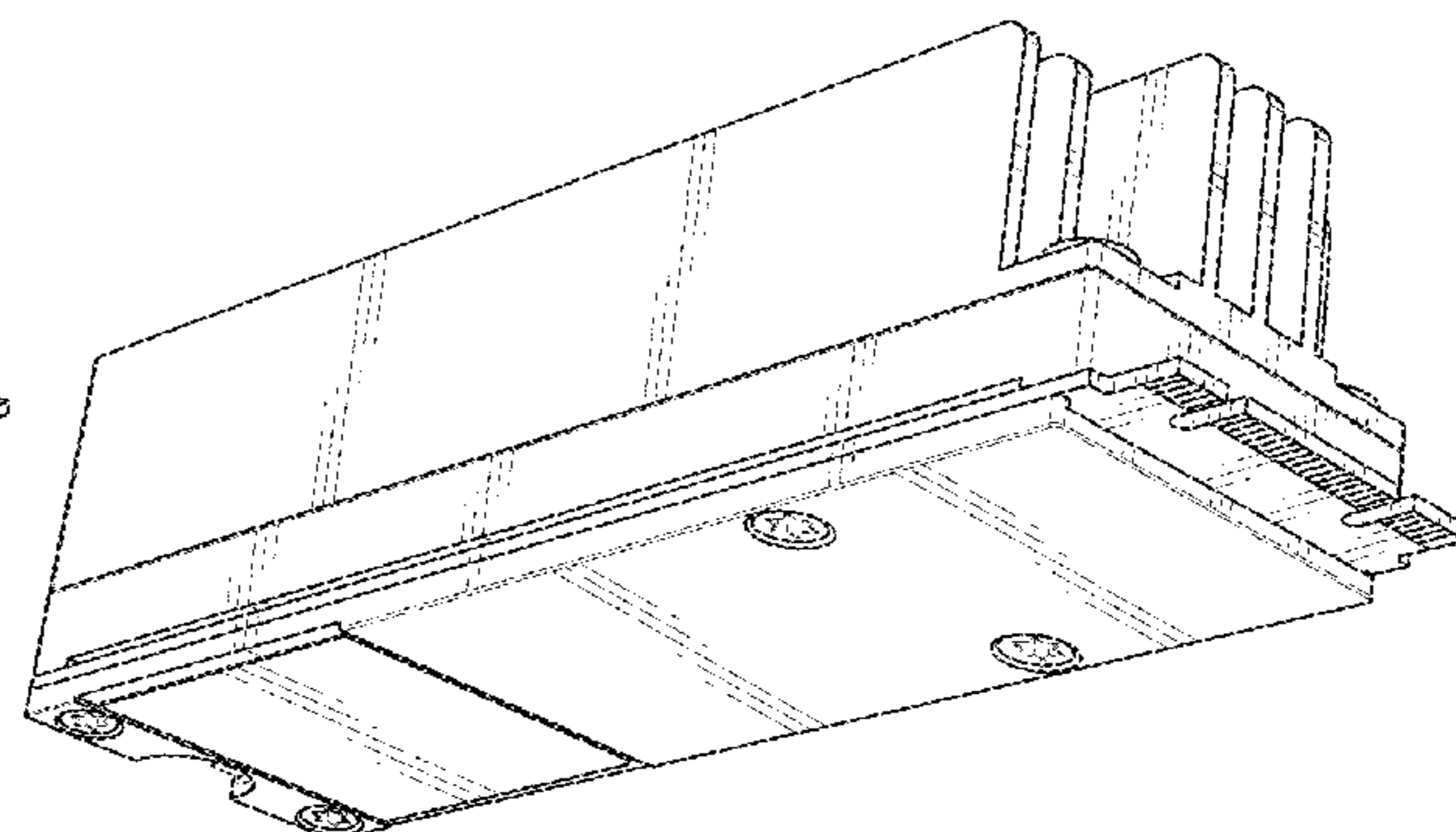
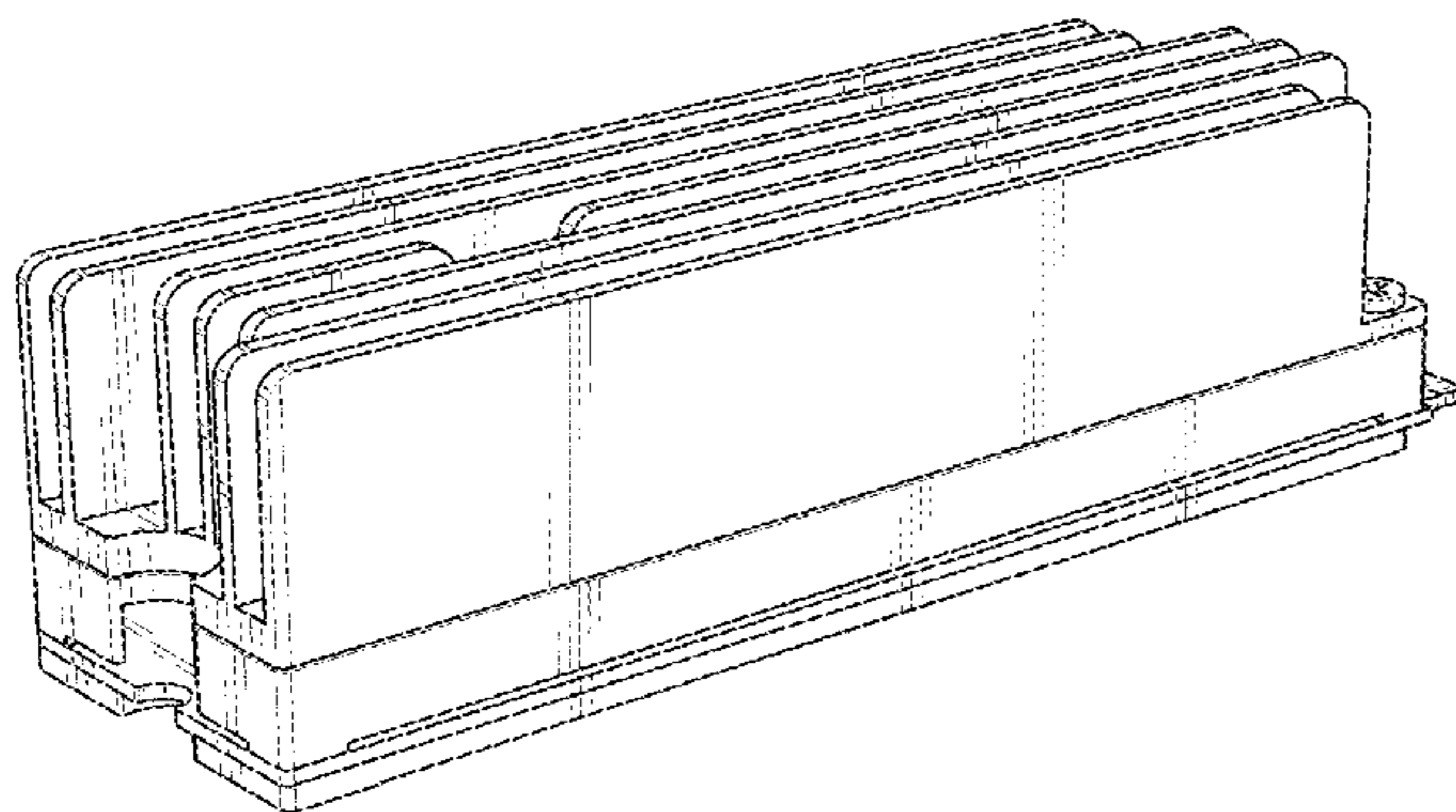
(57) **CLAIM**

The ornamental design for a board card, as shown and described.

DESCRIPTION

FIG. 1 is a perspective view of the board card in accordance with the present design;
FIG. 2 is another perspective view thereof;
FIG. 3 is another perspective view thereof;
FIG. 4 is a left side view thereof;
FIG. 5 is a right side view thereof;
FIG. 6 is a back view thereof;
FIG. 7 is a front view thereof;
FIG. 8 is a top view thereof; and,
FIG. 9 is a bottom view thereof.

1 Claim, 9 Drawing Sheets



(56)

References Cited

U.S. PATENT DOCUMENTS

2013/0250523 A1* 9/2013 Lai H01L 23/4093
361/720
2016/0262289 A1* 9/2016 Yeh F28F 13/06
2017/0102186 A1* 4/2017 Huang F28D 15/0275
2018/0054920 A1* 2/2018 Hung H05K 7/20409
2018/0173281 A1* 6/2018 Lin G06F 1/20
2019/0206763 A1* 7/2019 Xu H01L 23/4006

OTHER PUBLICATIONS

“Sophon AI Computing Module SM5”, first accessed Feb. 23, 2021.
Sophon.com (<https://sophon.ai/product/introduce/sm5.html>) (Year:
2021).*

* cited by examiner

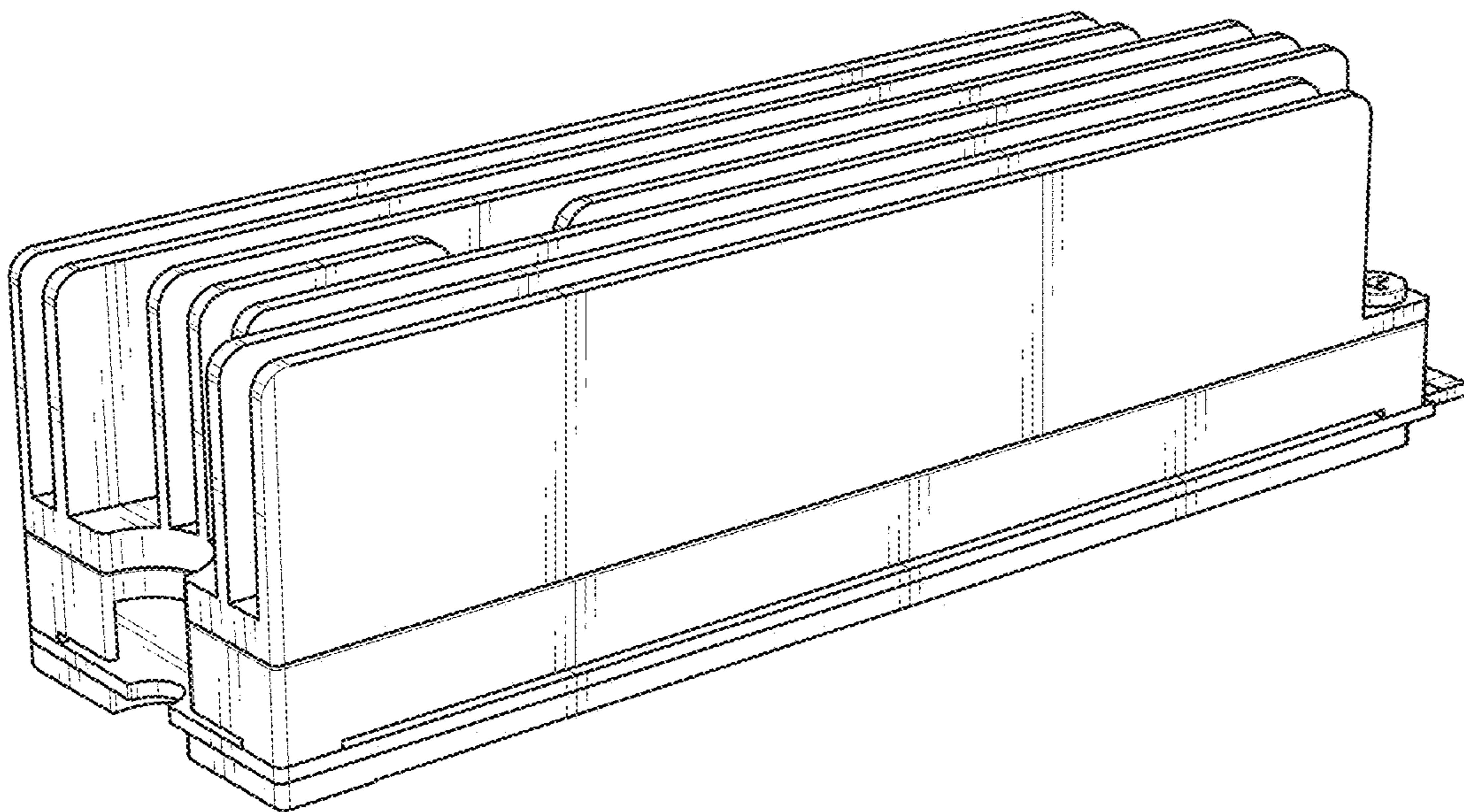


FIG. 1

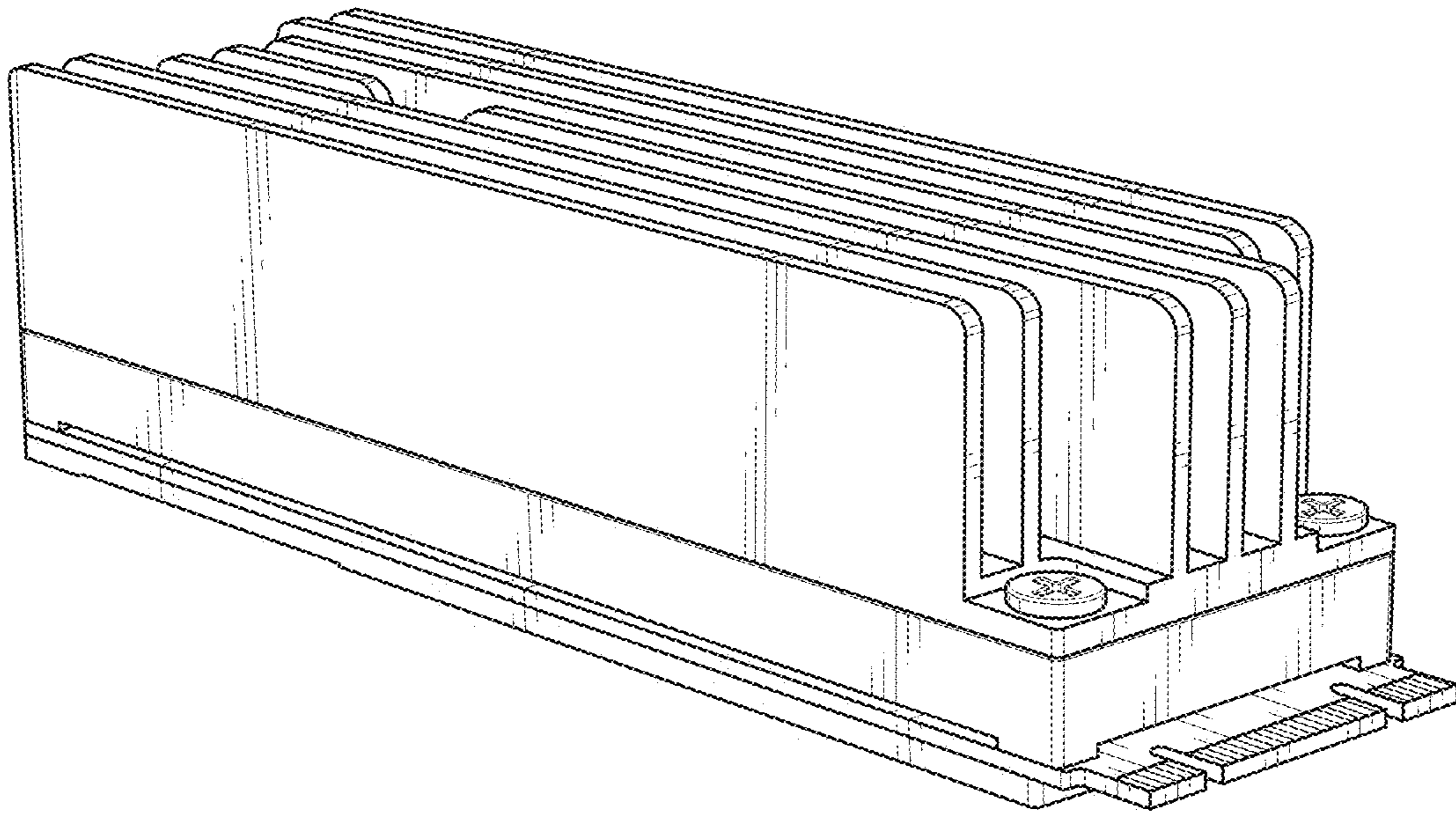


FIG. 2

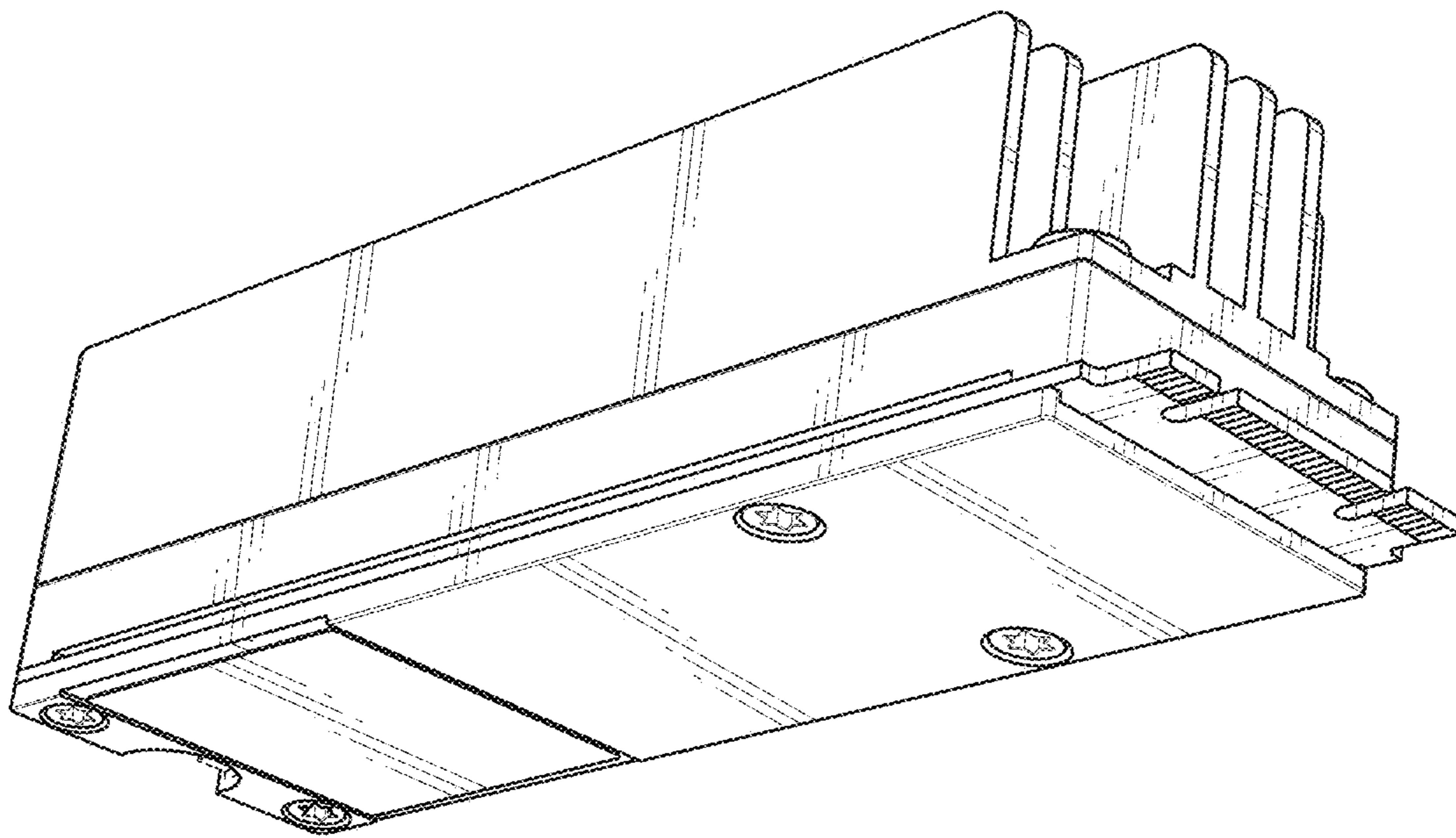


FIG. 3

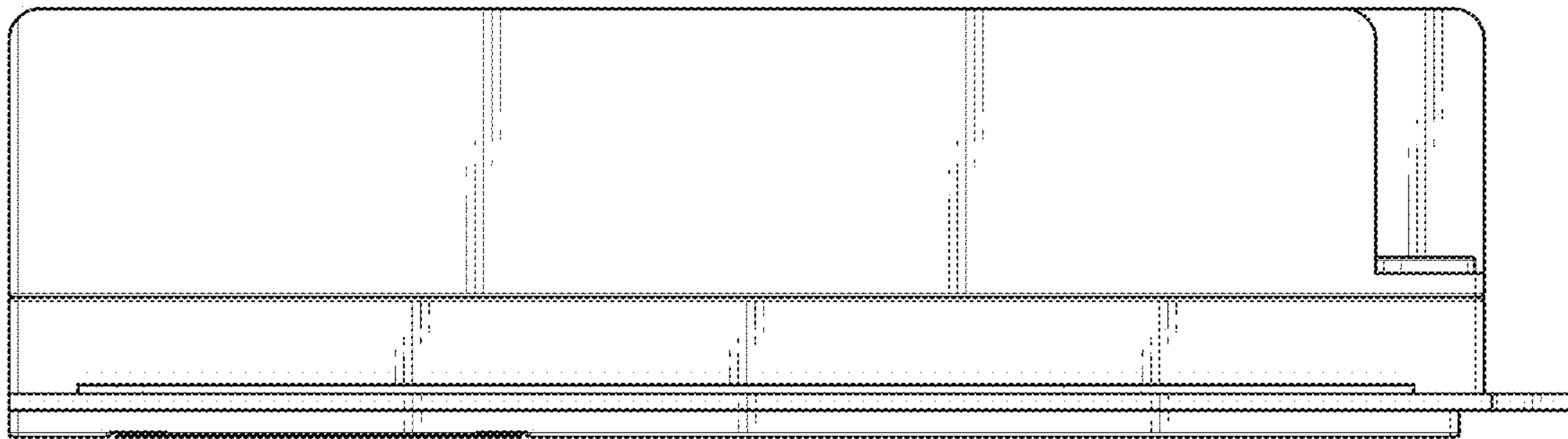


FIG. 4

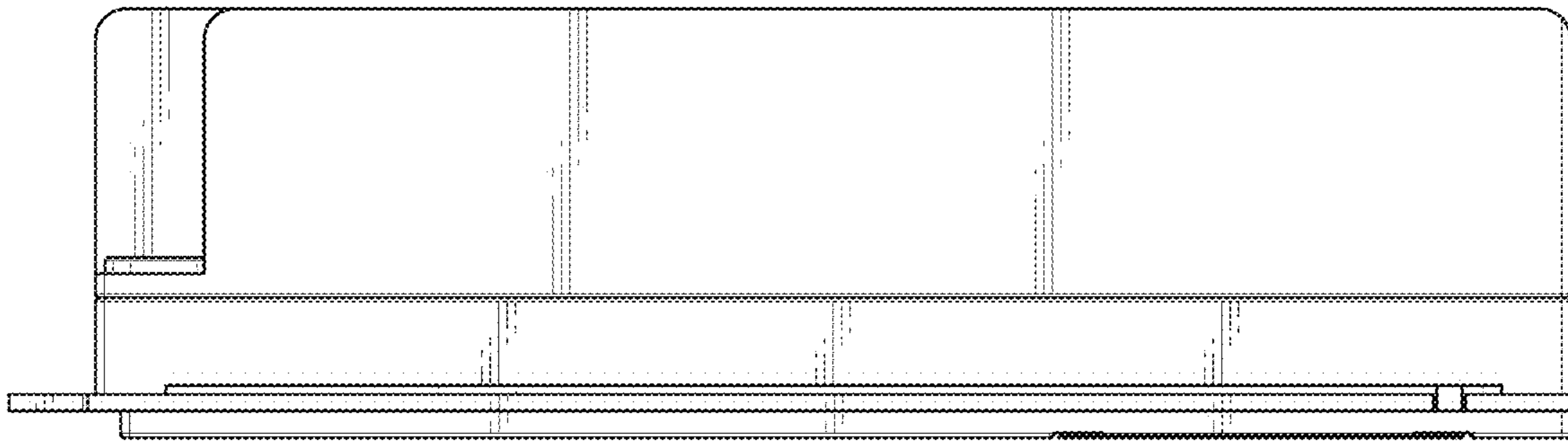


FIG. 5

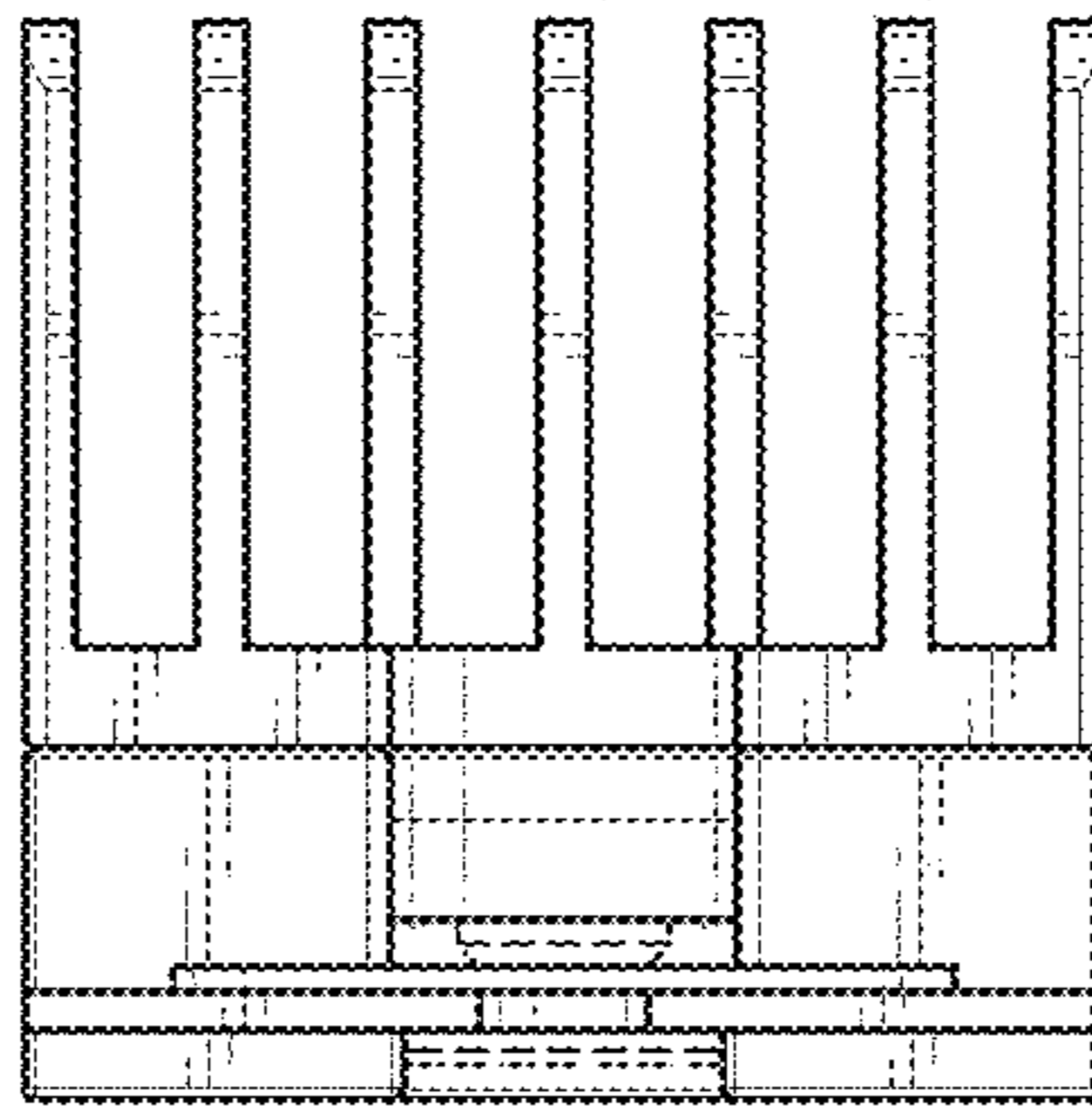


FIG. 6

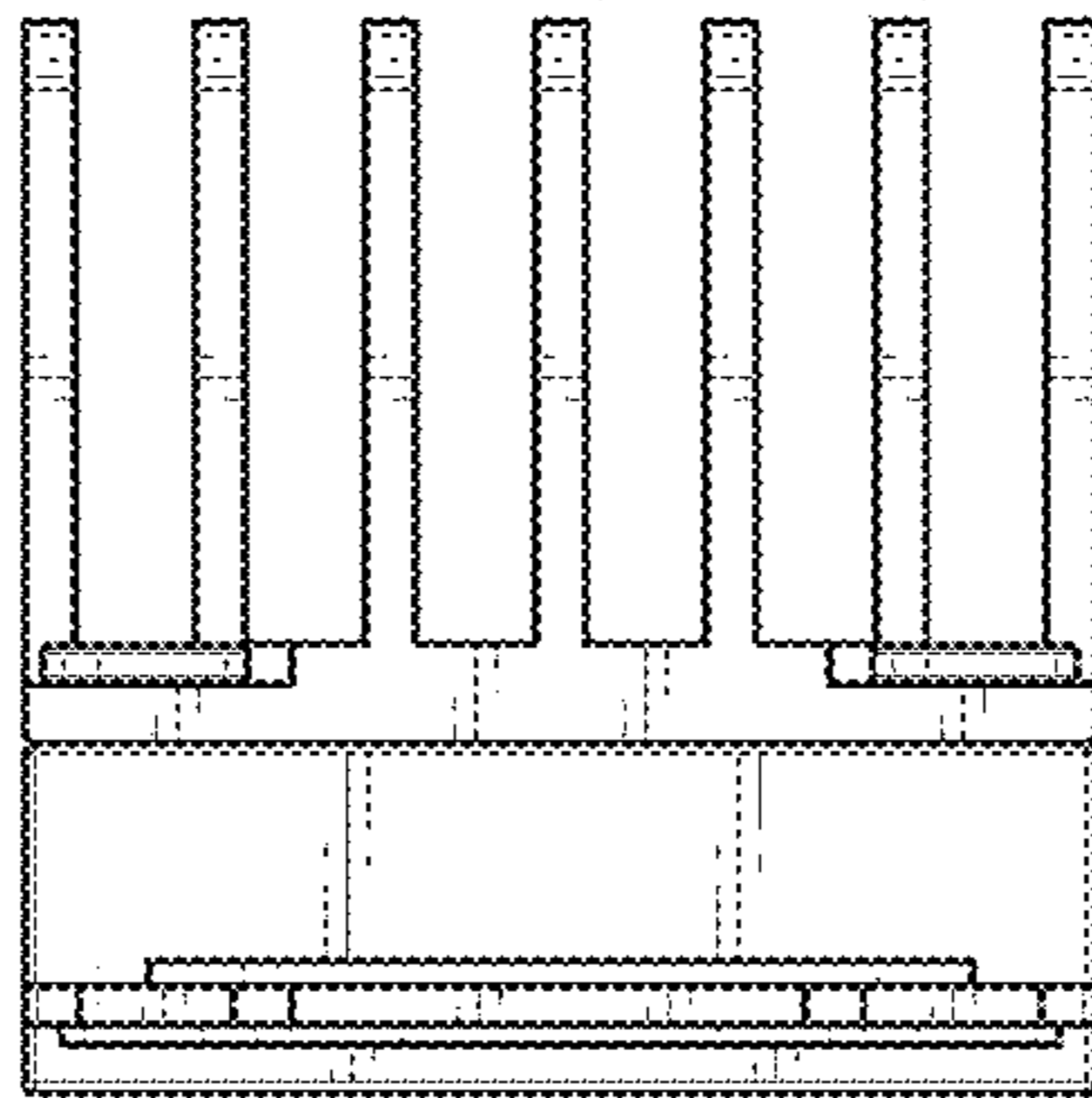


FIG. 7

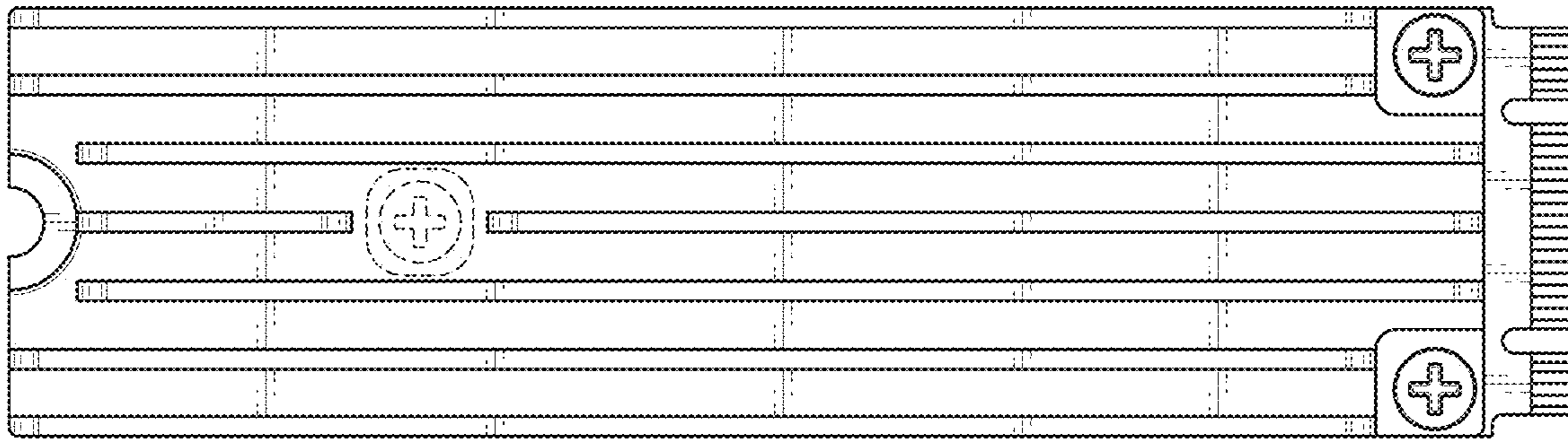


FIG. 8

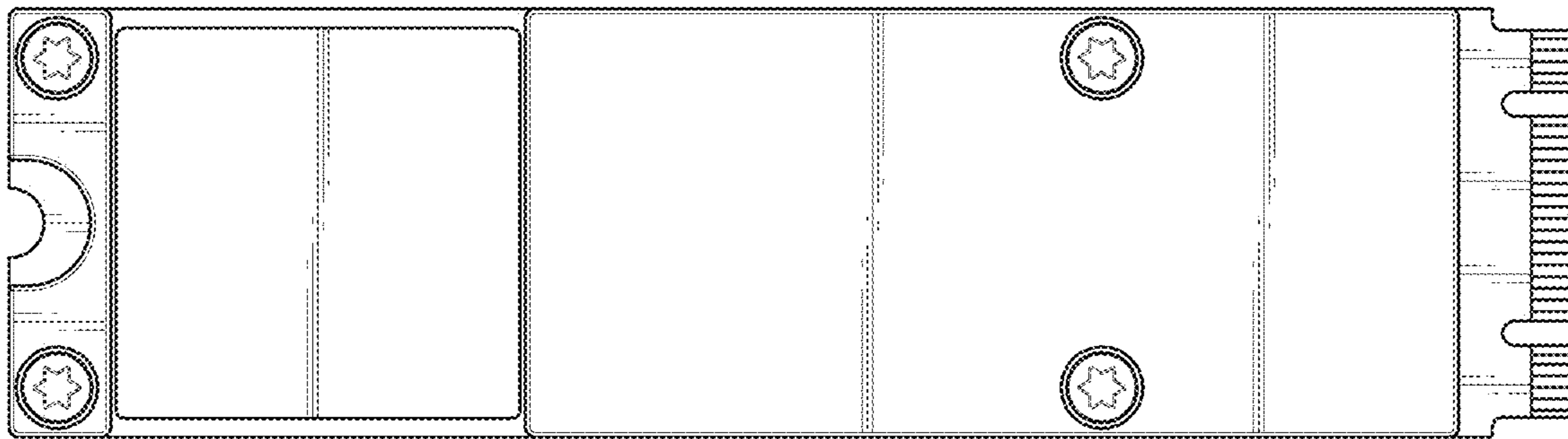


FIG. 9